



AUGUST 2009

FG SERIES

THE INDUSTRY STANDARD FOR INLINE DUCT FANS
JUST GOT BETTER!

The company that invented the circular duct fan more than thirty years ago, now introduces new improved inline fans that are **virtually airtight**.

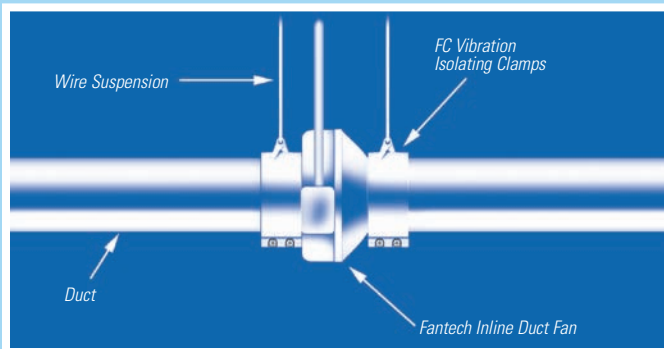
New production processes eliminate manufacturing variances to ensure tight tolerances for optimal performance of every fan.

Galvanized steel housings meet code requirements for both residential and commercial applications. High quality ebm-papst motors ensure long life and dependable performance.

Simplified Installation:

The FG Series features new longer duct connections for easier installation. Fans are prewired and include bracket for mounting to wall or ceiling.

Straight-through airflow allows fans to be installed at any angle at any point along the ductwork.



Look for the Energy Star
Rated Models in Performance
Data Chart on back page



Fantech, Inc. and Fantech Limited certify that the models shown herein are licensed to bear the AMCA Seal. The ratings are based on tests and procedures performed in accordance with AMCA Publication 211 and comply with the requirements of the AMCA Certified Ratings Program.

WE'VE SET NEW STANDARDS FOR:

- Performance
- Efficiency
- Reliability
- Air Tightness
- Ease of Installation



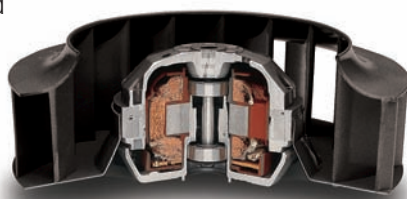
Also Available:
FGC SERIES

Same fans prewired with
six foot cord and plug.



HARD WORKING. LONG LASTING. HERE'S WHY:

- Airtight galvanized steel housing – perfect for commercial code applications
- Powered by ebm-papst external rotor motorized impeller for excellent heat dissipation, even at low RPM
- Backward curved impeller
- Permanently lubricated sealed ball bearings for maintenance-free operation
- Automatic reset thermal overload protection



Fantech external rotor motor

13 MODELS TO CHOOSE FROM:

- 4" to 12" duct diameters
- 135 to 940 CFM
- 100% speed controllable
- Rated for airstream temperatures up to 140° F
- Rated for outdoor use
- Five-year factory warranty
- UL Listed; CSA Certified

IMPROVING INDOOR AIR QUALITY THROUGH BETTER VENTILATION

www.fantech.net

FG SERIES

FROM RESIDENTIAL TO COMMERCIAL

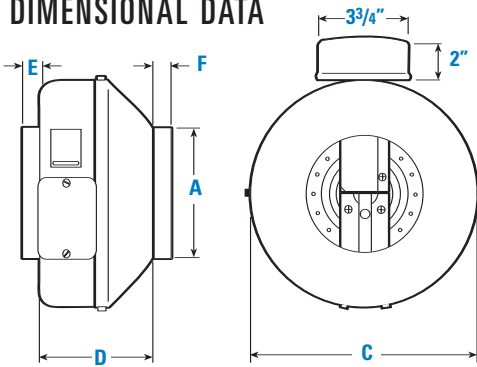


FG 4



FG 10

DIMENSIONAL DATA



Fantech, Inc. and Fantech Limited certify that the models shown herein are licensed to bear the AMCA Seal. The ratings are based on tests and procedures performed in accordance with AMCA Publication 211 and comply with the requirements of the AMCA Certified Ratings Program.

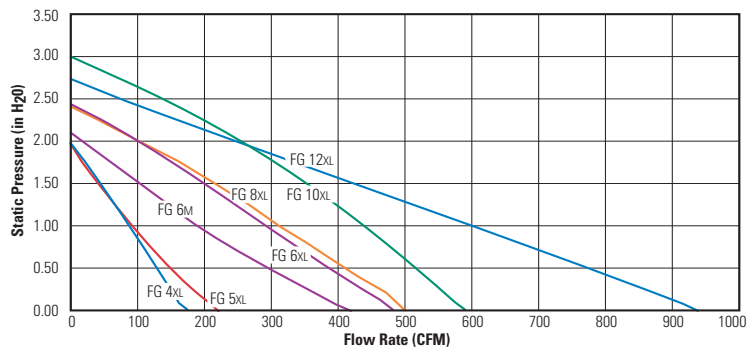
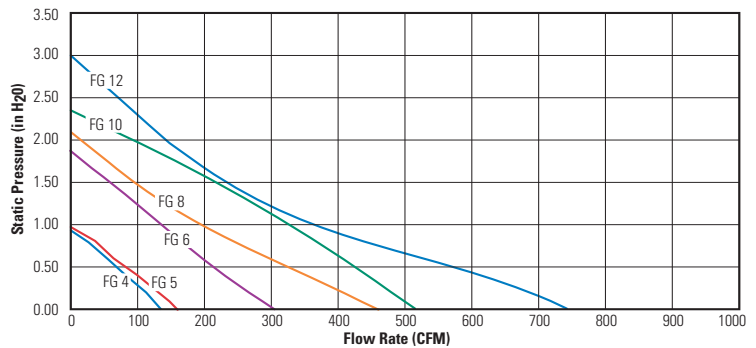
Model	†A	C	D	E	F
FG 4	4	8 ³ / ₄	6 ¹ / ₂	1	1
FG 4XL	4	9 ³ / ₄	6 ¹⁵ / ₁₆	1	1
FG 5	5	8 ³ / ₄	5 ¹ / ₂	1	7/8
FG 5XL	5	9 ³ / ₄	5 ¹⁵ / ₁₆	1	1
FG 6	6	11 ³ / ₈	6	1	1
FG 6XL/FG 6M	6	13 ¹ / ₈	6 ⁵ / ₈	1	1
FG 8	8	13 ³ / ₈	6	1 ¹ / ₈	1 ¹ / ₈
FG 8XL	8	13 ³ / ₈	6	1 ¹ / ₈	1 ¹ / ₈
FG 10	10	13 ³ / ₈	4 ¹¹ / ₁₆	1 ¹ / ₈	1
FG 10XL	10	13 ³ / ₈	5 ⁷ / ₈	1 ¹ / ₈	1
FG 12	12	16	8 ¹ / ₄	1 ¹ / ₁₆	1 ³ / ₁₆
FG 12XL	12	16	8 ¹ / ₄	1 ¹ / ₁₆	1 ³ / ₁₆

All dimensions in inches. † Duct connections are 1/8" smaller than duct size.



Look for the Energy Star Rated Models in Performance Data Chart.

AIR PERFORMANCE GRAPHS



PERFORMANCE DATA

Fan Model	Energy Star	RPM	Voltage	Rated Watts	Max. Amps	Static Pressure in Inches W.G.													Max. Ps	Duct Dia.
						0"	0.1"	0.2"	0.4"	0.6"	0.8"	1.0"	1.25"	1.5"	2.0"	2.5"				
FG 4	✓	3000	120	20	0.19	135	123	110	83	55	25	-	-	-	-	-	0.94	4"		
FG 4XL	-	2750	120	71	0.66	170	160	150	134	119	103	86	63	40	-	-	1.98	4"		
FG 5	✓	3000	120	20	0.19	156	143	130	99	66	33	-	-	-	-	-	0.99	5"		
FG 5XL	-	2700	120	73	0.68	220	205	190	160	135	112	91	66	41	-	-	1.89	5"		
FG 6	✓	2700	120	72	0.68	303	287	270	232	196	164	134	97	58	-	-	1.88	6"		
FG 6M	✓	2350	120	120	1.02	418	394	370	317	268	224	186	144	101	-	-	2.10	6"		
FG 6XL	✓	2900	120	153	1.48	483	466	450	409	369	329	289	243	201	103	-	2.41	6"		
FG 8	✓	2550	120	119	1.14	461	435	410	351	295	243	191	143	97	-	-	2.11	8"		
FG 8XL	✓	2950	120	142	1.45	502	486	470	428	388	351	313	266	218	100	-	2.40	8"		
FG 10	✓	3000	120	138	1.43	513	497	480	444	407	366	324	269	216	89	-	2.36	10"		
FG 10XL	✓	3100	120	196	1.96	589	574	560	531	503	472	441	400	355	257	137	3.02	10"		
FG 12	✓	2600	120	181	1.87	741	711	680	601	515	434	363	290	236	146	72	2.99	12"		
FG 12XL	✓	2900	120	301	3.01	940	910	880	819	746	670	596	505	425	259	80	2.74	12"		

Performance certified is for installation type D - Ducted inlet, Ducted outlet. Speed (RPM) shown is nominal. Performance is based on actual speed of test. Performance ratings do not include the effects of appurtenances (accessories).



Fantech

United States 10048 Industrial Blvd. • Lenexa, KS 66215 • 1.800.747.1762 • www.fantech.net
 Canada 50 Kanafarkt Way • Bouctouche, NB E4S 3M5 • 1.800.565.3548 • www.fantech.ca

Item #: 450286
 Rev Date: 081109

Fantech, reserves the right to modify, at any time and without notice, any or all of its products' features, designs, components and specifications to maintain their technological leadership position.