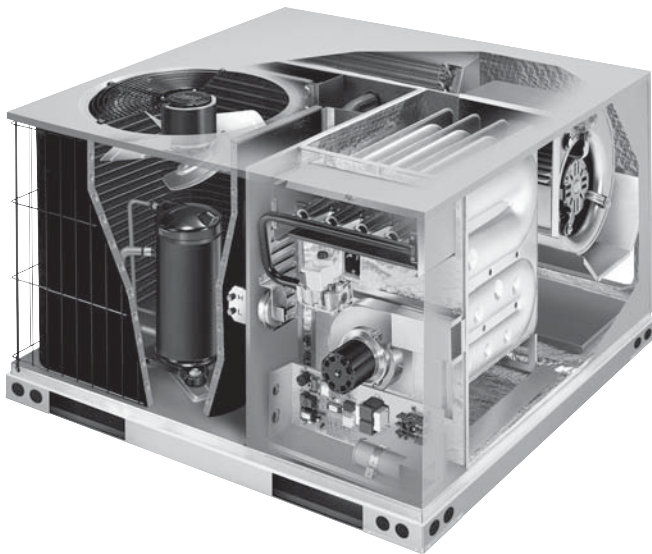




PGE12



Compak™
12

Package Gas/Electric

2 - 5 Ton 12 SEER

REFRIGERANT SYSTEM

- Heavy-duty, high efficiency scroll compressor
- Copper tubing with enhanced fin coils
- External service gauge ports

HEAT EXCHANGER

- Aluminized steel tapered S-curve
- Crimped no weld construction for longer life

CABINET

- Low profile with compact footprint
- Insulation to minimize heat loss
- Prepainted steel for maximum durability
- Easy service access
- Wire grille to protect condenser coil
- One piece "no leak" top design
- Weather protected heavy-duty condenser fan motor
- Aluminum fan for long life
- Internal 1" filter rack

BLOWER

- Insulated compartment to reduce sound
- Easy service split-ring design with quick plug-in wiring
- Multispeed motor for wide airflow range
- PSC prelubricated motor for low maintenance and maximum efficiency
- Dynamically balanced blower with resilient motor mounts for smooth and quiet operation

CONTROLS

- Trade available components
- Solid state integrated blower control/ignition control board with L.E.D. diagnostics
- Color coded wiring for easy service

INSTALLATION

- Horizontal or down discharge
- L models comply with California Energy Commission Low NOx regulations
- Full perimeter base rail system for easy installation on roofcurb applications

WARRANTY

- 10 year limited on heat exchanger
- 10 year limited on compressor
- 5 year all parts

ACCESSORIES

- Hinged Roofcurb
- Concentric Duct Kit
- Air Diffuser
- Economizer - Horizontal Modulating
- Economizer - Modulating w/Relief
- Barometric Relief Damper
- 0 - 25% Manual Outside Air Kit
- 0 - 25% Automatic Outside Air Kit
- Short Cycle Protector
- Low Ambient Kit
- LP Gas Conversion
- High Pressure Cut-Out Kit



Model Number Guide

	P	GE	12	B	42	D	075	L	A	-	1	
P - Package												Revision Code
GE - Gas/Electric												A - 208-230V/60HZ/1Ø B - 200-230/60HZ/3Ø
12 - Nominal SEER												
B - Series												L - Low NOx Blank - Standard
Nominal Cooling 42 - 42,000 Btuh												Nominal Heating 075 - 75,000 Btuh
												D - Direct Drive

Physical

Model	Outside Fan		Indoor Blower Wheel dia. x width (in.)	Refrigerant Charge (oz.)	Weight (lbs.)
	Diameter (in.)	Nominal RPM			
PGE12B24D050A	18	1,075	10 x 8	72	290
PGE12B24D075A					300
PGE12B30D050A	18	1,075	10 x 8	85	310
PGE12B30D075A					320
PGE12B36D050A	18	1,075	10 x 8	110	320
PGE12B36D075A					330
PGE12B36D100A					340
PGE12B42D075A	18	1,075	10 x 9	133	360
PGE12B42D100A					370
PGE12B48D100A	20	1,075	10 x 10	167	430
PGE12B48D125A					440
PGE12B60D100A	20	1,075	10 x 10	159	440
PGE12B60D125A					450

Electrical

Model	Voltage/ Hz/Phase	Normal Voltage Range	Min. Circuit Ampacity	Max. Fuse/ HACR Brkr.	Trans. (VA)	Compressor		Fan Motor		Indoor Blower		Exhaust Motor	
						Rated Load (amps)	Locked Rotor (amps)	Rated Load (amps)	Rated HP	Rated Load (amps)	Rated HP	Rated Load (amps)	Rated HP
PGE12B24D**A	208-230/60/1	197-253	17.3	25	40	10.4	56	.9	1/8	2.8	1/2	.7	1/30
PGE12B30D**A	208-230/60/1	197-253	21.6	30	40	13.6	72.5	1.8	1/4	2.8	1/2	.7	1/30
PGE12B36D**A	208-230/60/1	197-253	24.9	35	40	16.2	88	1.8	1/4	2.8	1/2	.7	1/30
PGE12B42D**A	208-230/60/1	197-253	28	40	40	18.2	104	1.8	1/4	3.4	1/2	.7	1/30
PGE12B48D**A	208-230/60/1	197-253	35.4	50	40	24	129	1.8	1/4	3.6	3/4	.7	1/30
PGE12B60D**A	208-230/60/1	197-253	29.4	50	40	19.2	137	1.8	1/4	3.6	3/4	.7	1/30

**Refers to nominal heating sizes.

Performance

Model	Cooling					Heating			
	Btuh	SEER	EER	S/T	CFM	Input Btuh	Output Btuh	Effcy. AFUE	Temp. Rise Range °F
PGE12B24D050A	23,000	12.00	10.73	.73	800	50,000	40,000	80%	30 - 60
PGE12B24D075A						75,000	60,000		45 - 75
PGE12B30D050A	29,000	12.00	10.45	.72	1,000	50,000	40,000	80%	30 - 60
PGE12B30D075A						75,000	60,000		45 - 75
PGE12B36D050A	35,600	12.00	10.70	.72	1,200	50,000	40,000	80%	30 - 60
PGE12B36D075A						75,000	60,000		45 - 75
PGE12B36D100A						100,000	80,000		55 - 85
PGE12B42D075A	41,500	12.00	10.57	.73	1,400	75,000	60,000	80%	45 - 75
PGE12B42D100A						100,000	80,000		55 - 85
PGE12B48D100A	48,000	12.00	10.60	.72	1,600	100,000	80,000	80%	40 - 70
PGE12B48D125A						125,000	100,000		45 - 75
PGE12B60D100A	58,000	12.00	10.70	.72	1,850	100,000	80,000	80%	40 - 70
PGE12B60D125A						125,000	100,000		45 - 75

Blower Performance

Model	Blower Speed	CFM @ ext. static pressure in in. w.c. without filter (s) ¹						
		.20	.30	.40	.50	.60	.70	.80
PGE12B24	High	1,350	1,280	1,220	1,140	1,060	960	850
	Med	1,140	1,090	1,050	980	920	820	750
	Low	1,050	1,010	970	900	850	760	700
PGE12B30	High	1,420	1,360	1,300	1,220	1,140	1,050	940
	Med	1,170	1,140	1,100	1,050	990	910	800
	Low	1,060	1,040	1,020	970	920	850	770
PGE12B36	High	1,420	1,360	1,300	1,220	1,140	1,050	940
	Med	1,170	1,140	1,100	1,050	990	910	800
	Low	1,060	1,040	1,020	970	920	850	770
PGE12B42	High	1,590	1,540	1,460	1,380	1,300	1,220	1,130
	Med	1,520	1,470	1,430	1,340	1,250	1,190	1,100
	Low	1,470	1,420	1,350	1,270	1,200	1,130	1,050
PGE12B48	High	2,255	2,185	2,050	1,955	1,810	1,645	1,540
	Med	1,880	1,830	1,795	1,715	1,605	1,500	1,375
	Low	1,645	1,620	1,605	1,545	1,480	1,400	1,255
PGE12B60	High	2,255	2,185	2,050	1,955	1,810	1,645	1,540
	Med	1,880	1,830	1,795	1,715	1,605	1,500	1,375
	Low	1,645	1,620	1,605	1,545	1,480	1,400	1,255

¹Add .10 to duct static for downflow CFM.

Cooling Performance Extended Ratings

Model	Indoor Temp DB/WB °F	Outdoor Temp - DB°F														
		65			82			95			105			115		
		Btuh	S/T	kW	Btuh	S/T	kW	Btuh	S/T	kW	Btuh	S/T	kW	Btuh	S/T	kW
PGE12B24	85/72	27,880	.60	1.66	26,980	.63	1.94	25,800	.65	2.19	24,200	.66	2.39	26,210	.70	2.63
	80/67	25,800	.67	1.65	24,580	.71	1.93	23,000	.73	2.14	21,800	.74	2.38	19,790	.78	2.62
	75/63	20,980	.75	1.63	22,080	.79	1.91	20,900	.81	2.09	19,300	.82	2.36	17,290	.86	2.60
PGE12B30	85/72	35,530	.59	2.20	35,360	.61	2.57	32,600	.64	2.90	30,940	.65	3.16	27,390	.69	3.45
	80/67	30,620	.66	2.18	31,720	.69	2.55	29,000	.72	2.77	28,200	.73	3.14	26,780	.76	3.43
	75/63	30,020	.75	2.15	29,850	.78	2.52	27,150	.80	2.69	25,430	.81	3.11	21,880	.84	3.40
PGE12B36	85/72	42,660	.60	2.58	41,550	.62	3.02	38,900	.64	3.41	34,200	.65	3.73	32,480	.69	4.11
	80/67	39,170	.68	2.56	39,000	.70	3.00	35,600	.72	3.33	34,580	.73	3.71	31,030	.77	4.09
	75/63	36,760	.75	2.53	35,650	.77	2.97	33,000	.79	3.26	28,300	.80	3.68	26,580	.84	4.06
PGE12B42	85/72	47,320	.61	3.07	47,440	.63	3.58	45,000	.66	4.04	36,460	.70	4.38	27,920	.71	4.84
	80/67	46,260	.68	3.05	45,150	.70	3.56	41,500	.73	3.93	37,800	.77	4.36	36,080	.77	4.82
	75/63	40,190	.75	3.01	40,310	.77	3.52	37,870	.80	3.86	29,330	.84	4.32	20,790	.85	4.78
PGE12B48	85/72	53,743	.63	3.40	52,900	.64	4.29	52,791	.65	4.66	51,420	.66	4.93	47,230	.68	5.43
	80/67	51,569	.70	3.38	50,470	.72	3.89	48,000	.72	4.53	46,060	.73	4.89	41,290	.77	5.34
	75/63	48,838	.67	3.36	45,230	.69	3.72	43,268	.72	4.40	40,510	.82	4.82	35,404	.88	5.31
PGE12B60	85/72	68,939	.61	4.24	66,421	.63	5.01	63,644	.65	5.61	61,067	.67	6.20	58,005	.67	6.78
	80/67	62,989	.69	4.17	63,205	.70	4.93	58,000	.72	5.42	56,206	.73	6.10	52,215	.76	6.70
	75/63	60,307	.75	4.16	57,381	.76	4.86	53,242	.80	5.38	44,398	.82	6.00	45,099	.86	6.58

Accessories

Kit Number	Description	Used with
ACURB160-1*	14" Hinged Roofcurb	PGE24-42
ACURB162-1*	14" Hinged Roofcurb	PGE48-60
ADMPR145-2	0 - 25" Manual Outside Air Damper	PGE24-42
ADMPR146-2	0 - 25" Motorized Outside Air Damper	PGE24-42
ADMPR166-2*	0 - 25" Manual Outside Air Damper	PGE48-60
ADMPR167-2*	0 - 25" Motorized Outside Air Damper	PGE48-60
ADMPR151-1	Barometric Relief Damper	PGE24-60
AECON147-2	Economizer - Downflow Modulating w/relief	PGE24-42
AECON148-2	Economizer - Horizontal Modulating	PGE24-42
AECON169-2*	Economizer - Horizontal Modulating	PGE48-60
AECON168-2*	Economizer - Downflow Modulating w/relief	PGE48-60
ACONC164-1*	Concentric Duct Adapter	PGE24-42
ACONC165-1*	Concentric Duct Adapter	PGE48-60
ADIFF89-1	Air Diffuser - Flush	PGE24-60
ADIFF150-1	Air Diffuser - Step Down	PGE24-60
ALOAM111-1	Low Ambient Control	PGE24-60
AHPSW436-1	High Pressure Cut-Out Kit	PGE24-60
ATIMR446-1	Short Cycle Protector	PGE24-60
ALPKIT533-1	LP Gas Conversion	PGE24-60

*For use with B series units.

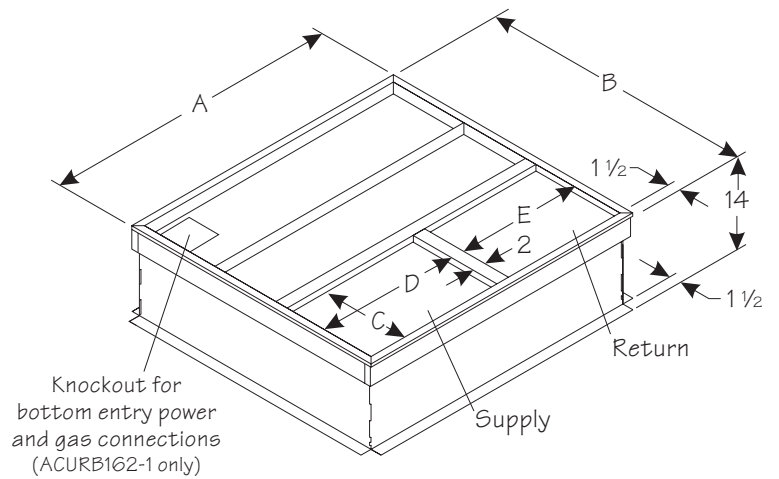
Accessories (All dimensions in inches)

Hinged Roof Curb

ACURB160-1 (24-42)

ACURB162-1 (48-60)

Kit Number	A	B	C	D	E
ACURB160-1	43	43	19	19	19
ACURB162-1	52	47 1/8	19 1/2	23 1/2	23 1/2

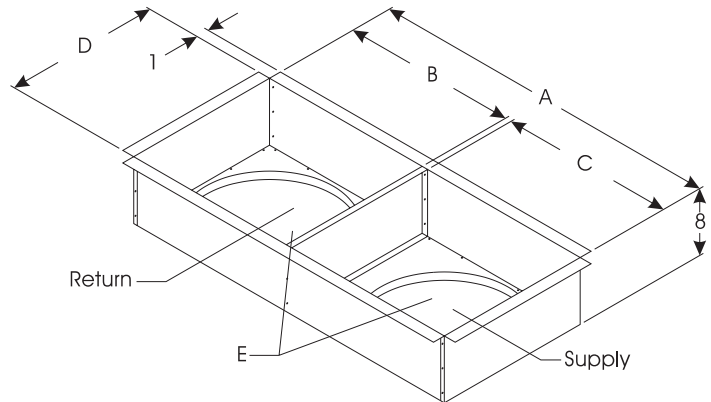


Concentric Curb Adaptor

ACONC164-1 (24-42)

ACONC165-1 (48-60)

Kit Number	A	B	C	D	E
ACONC164-1	39	19 1/2	18 3/4	18 1/2	16
ACONC165-1	48	23 5/8	23 5/8	19	18

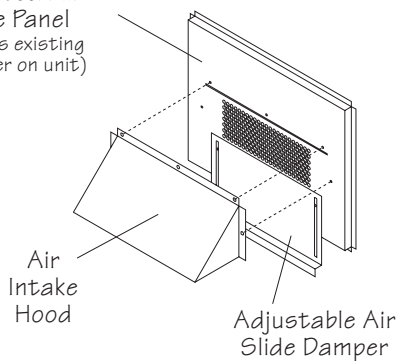


0-25% Manual Outside Air Damper

ADMPR145-2 (24-42)

ADMPR166-2 (48-60)

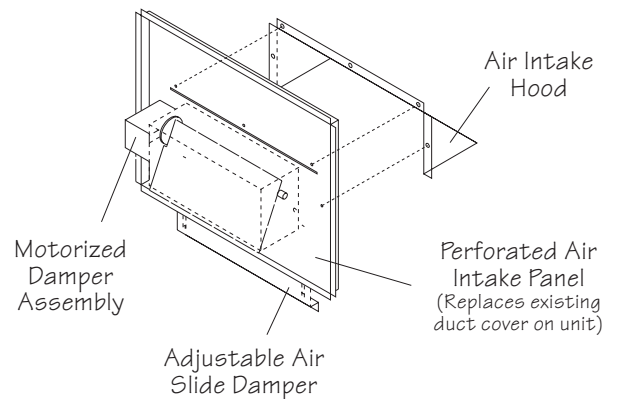
Perforated Air Intake Panel
(Replaces existing duct cover on unit)



0-25% Motorized Outside Air Damper

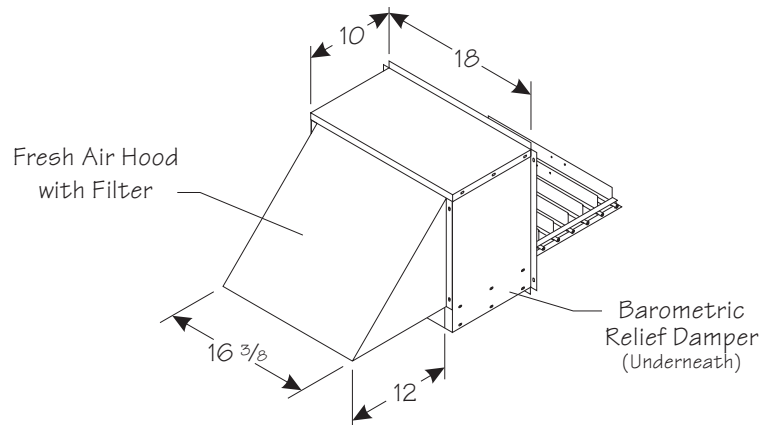
ADMPR146-2 (24-42)

ADMPR167-2 (48-60)



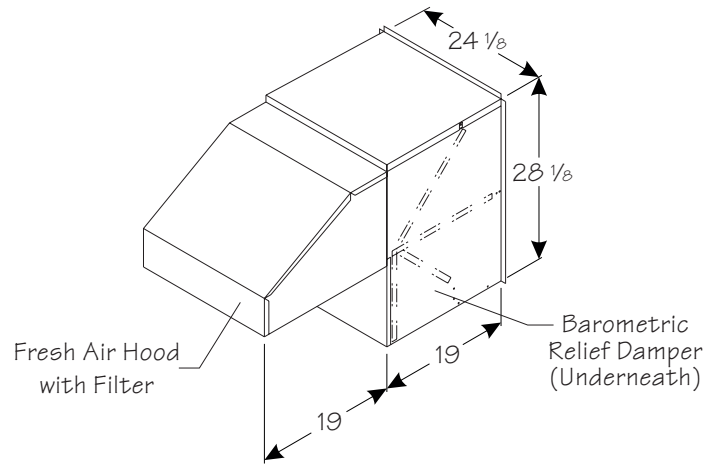
Economizer - Downflow Modulating with Relief

AECON147-2 (24-42)



Economizer - Downflow Modulating with Relief

AECON168-2 (48-60)

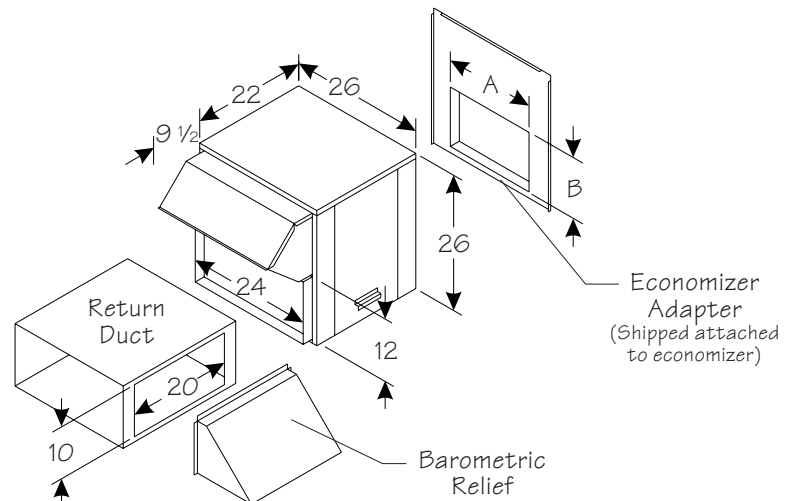


Economizer - Horizontal Modulating

AECON148-1 (24-42)

AECON169-1 (48-60)

Model	A	B
AECON148-2	17 3/4	11 5/8
AECON169-2	21 3/4	12 1/8

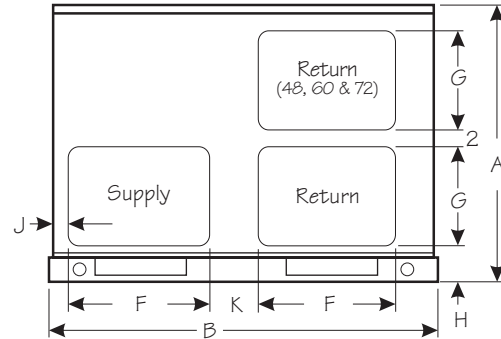


Dimensions (in.)

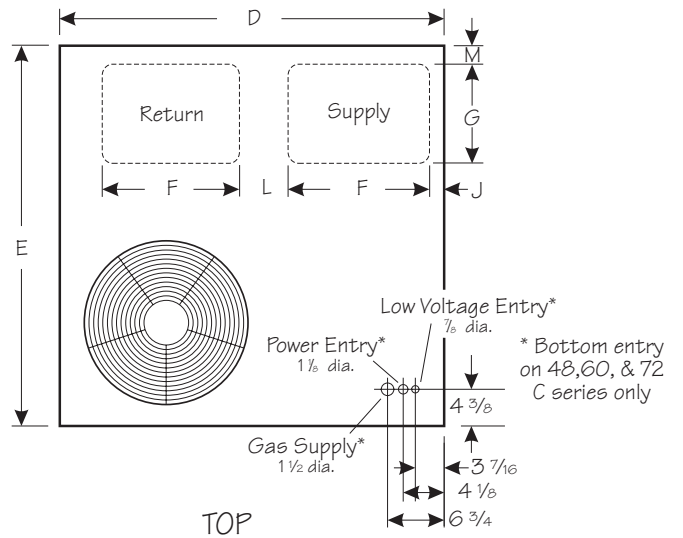
Model	A	B	C	D	E	F
PGE12B24	27 11/16	46 1/2	46 1/2	45 5/8	45 5/8	17 1/2
PGE12B30						
PGE12B36						
PGE12B42	31 11/16	46 1/2	46 1/2	45 5/8	45 5/8	17 1/2
PGE12B48	33 11/16	55 1/2	50 1/2	54 5/8	49 5/8	21 1/2
PGE12B60						

Model	G	H	J	K	L
PGE12B24	11 1/2	5	1 13/16	4	4
PGE12B30					
PGE12B36					
PGE12B42	11 1/2	5	1 13/16	4	4
PGE12B48	12	4 1/8	1 1/8	6 1/4	5 5/8
PGE12B60					

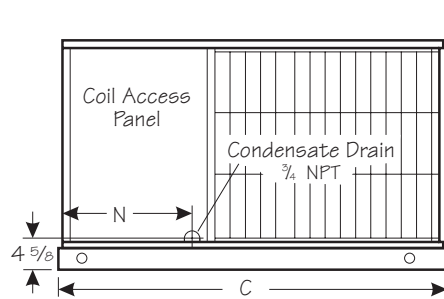
Model	M	N	P	Q	R
PGE12B24	1 15/16	15 5/8	23 1/8	19 7/8	9 1/16
PGE12B30					
PGE12B36					
PGE12B42	1 15/16	15 5/8	27 1/8	23 7/8	9 1/16
PGE12B48	2 1/4	17 1/8	28 15/16	25 11/16	14 7/8
PGE12B60					



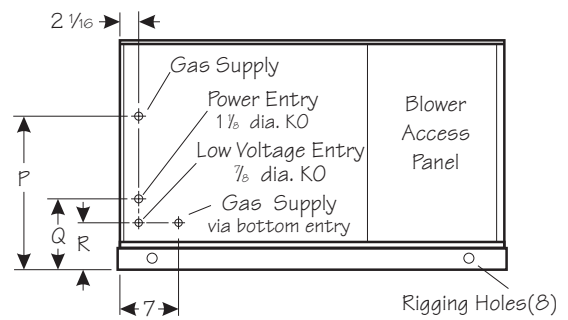
REAR



TOP



LEFT SIDE



RIGHT SIDE

All specifications are subject to change without notice.



421 Monroe Street • Bellevue, OH 44811
(419) 483-4840

