

WTGO - Gold Series Oil Boiler
Weil-McLain

Water with
Tankless Heater
Chimney Vent
MBH: 115-295
Avg. Efficiency: 85%



- **HIGH EFFICIENCY**
- **EASY TO INSTALL AND SERVICE**
- **MADE WITH WEIL-McLAIN QUALITY**

APPLICATIONS INCLUDE:

Residential
Light Commercial
Multiple Boilers
Indirect-fired Water Heating
Radiant Heating
... And Much More



WEIL-McLAIN

www.weil-mclain.com

I=B=R Chimney Size

Model**	I=B=R Burner Cap. (GPH) (1)	% DOE Seasonal Efficiency (AFUE) (2)	DOE Heating Capacity (MBH Water) (2) (3)	Net I=B=R Water Rating (MBH) (3) (5)	Tankless Heater Intermittent Draw Rating (6)	Draft Loss Through Boiler (in. w/c) (7)	Rectangular (in.)	Round (in.)	Height (ft.)	Approx. Shipping Weight (Lbs)
WTGO-3*	0.95	85.3	115	100	3.25	.020	8 x 8	6	15	540
P-WTGO-3L	0.95	84.5	114	99	3.00	.020	8 x 8	6	15	595
WTGO-4*	1.20	85.0	145	126	3.75	.010	8 x 8	6	15	645
WTGO-5*	1.45	85.0	175	152	4.00	.015	8 x 8	7	15	760
WTGO-6*	1.75	85.0	212	184	4.25	.015	8 x 8	7	15	860
WTGO-7*	2.00	85.0	242	210	5.50	.015	8 x 8	8	15	930
WTGO-8	2.30	-	266 ⁴	231	5.75	.025	8 x 12	8	20	1030
WTGO-9	2.55	-	295 ⁴	257	6.00	.030	8 x 12	8	20	1135

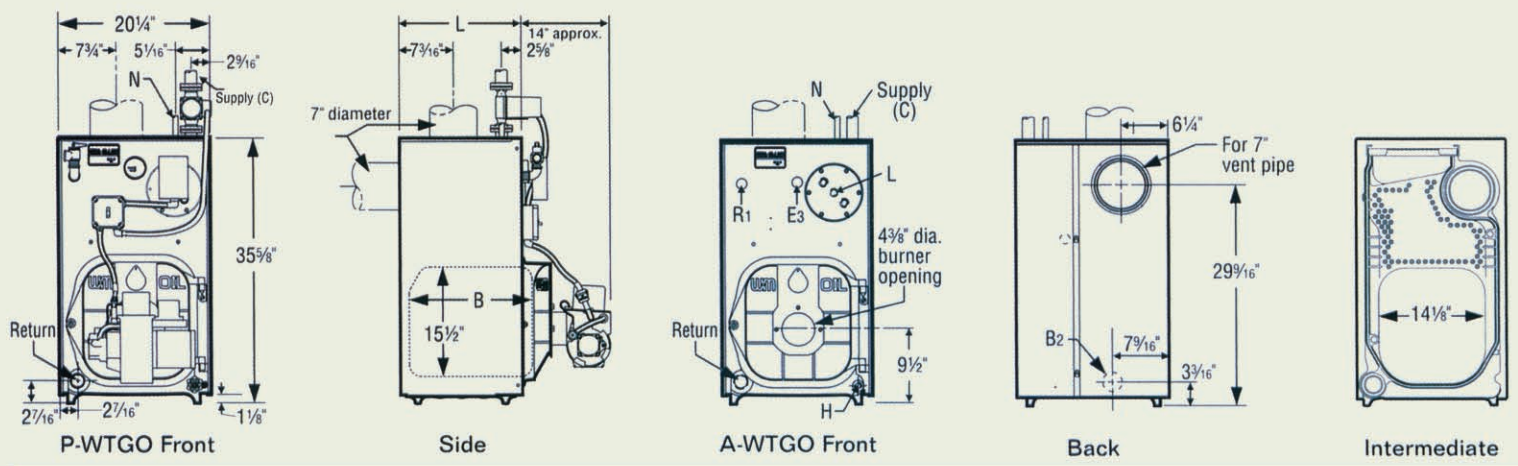
Notes:
 ** Add "P" for packaged boiler (WTGO-3 through WTGO-6 only). Add "A" for boiler only (WTGO-3 through WTGO-9).
 (1) No. 2 fuel oil—Commercial Standard Specification CS75-56. Heating value of oil—140,000 BTU/Gal.
 (2) Based on standard test procedures prescribed by the United States Department of Energy at combustion condition of 13 1/2% CO₂ and -0.02" WC draft.
 (3) MBH refers to thousands of BTU per hour.
 (4) I=B=R gross output.
 (5) Net I=B=R ratings are based on net installed radiation adequate for the requirements of the building, including a piping and pickup allowance of 1.15—sufficient for normal conditions. Provide additional allowance only for unusual piping and pickup loads.
 (6) Tankless heater rating is in gallons of water per minute, heated from 40°F to 140°F with 200°F boiler water temperature—tested in accordance with I-W-H Testing and Rating Standard for Indirect Tankless Water Heaters Test with Boilers.
 (7) Listed draft losses are for standard burner settings.

Dimensions

Model	Supply "C" (in)		Return (in)	Dimensions (in)		Number	Tankless Heater	
	P-WGO	A-WGO		B	L		Inlet & Outlet (NPT) (in)	Temp Control (NPT) (in)
WTGO-3	1 1/4 (circulator flange)	1 1/2	1 1/2	13 1/2	16 7/8	WT-14	1/2	3/4
WTGO-3L	1 1/4 (circulator flange)	1 1/2	1 1/2	10 1/2	13 3/4	WT-14	1/2	3/4
WTGO-4	1 1/4 (circulator flange)	1 1/2	1 1/2	13 5/8	16 7/8	WT-14	1/2	3/4
WTGO-5	1 1/2 (circulator flange)	1 1/2	1 1/2	16 7/8	20	WT-14	1/2	3/4
WTGO-6	1 1/2 (circulator flange)	1 1/2	1 1/2	20	23 1/8	WT-14	1/2	3/4
WTGO-7	not applicable	1 1/2	1 1/2	23 1/8	26 1/4	WT-20	1/2	3/4
WTGO-8	not applicable	1 1/2	1 1/2	26 1/4	29 3/8	WT-20	1/2	3/4
WTGO-9	not applicable	1 1/2	1 1/2	29 3/8	32 1/2	WT-20	1/2	3/4

Tapping Location	Size (in)	Control
B ₂	1 1/2	Alternate return — "A" units only
E ₃	1/2	Pressure/temperature gauge
H	3/4	Drain valve
L	3/4	High limit/circulator control
N	1/2	Piping to expansion tank or automatic air vent
R ₁	3/4	Relief valve

Crate Dimensions: Height - 39" Width - 23" Length (*WTGO-3, -4) - 27" / (*WTGO-5, -6) - 33"



Standard and Optional Equipment

- Standard Equipment:**
 Limited Lifetime Warranty on Boiler Sections
 Factory Tested
 Factory-Assembled Cast Iron Sections with the Following Parts Installed. (not assembled on 7-, 8- and 9- section blocks.)
 Tankless Heater (P-units) or Tankless Opening Cover Plate (A-units)
 Insulated Steel Jacket
 Aluminized Steel Flue Collector Hood with Flue Cap on Top Outlet
 Swing-Away Burner Mounting Door
 Refractory Blanket and Target Wall in Combustion Area
- Circulator (Taco 007)—Supplied with "Packaged" Units Only
 Comb. Temp. Controls, LWCO & Circulator Relay (all P-units/A-units ordered with tankless heater)
 Electrical Junction Box with Wiring Harnesses
 Junction Box Cover Plate with Service Switch
 Two Vent Pipe Brackets
 Pressure/Temperature Gauge
 30 PSI ASME Relief Valve (boiler sections tested for 50 PSI working pressure)
 Drain Valve
 Balanced Draft Damper

- Optional Equipment:**
 High-Efficiency Flame-Retention Oil Burner (Beckett AFG, Carlin EZ or Riello). Specify 2-Stage Fuel Unit (optional) if Required.
 W-M 5 & 10 Year Homeowner Protection Plan
 W-M Indirect-Fired Water Heaters



In the interest of continual improvements in product and performance, Weil-McLain reserves the right to change specifications without notice.
 C-751 (1009)