

INSTALLER: LEAVE THIS MANUAL WITH THE APPLIANCE  
CONSUMER: RETAIN THIS MANUAL FOR FUTURE REFERENCE

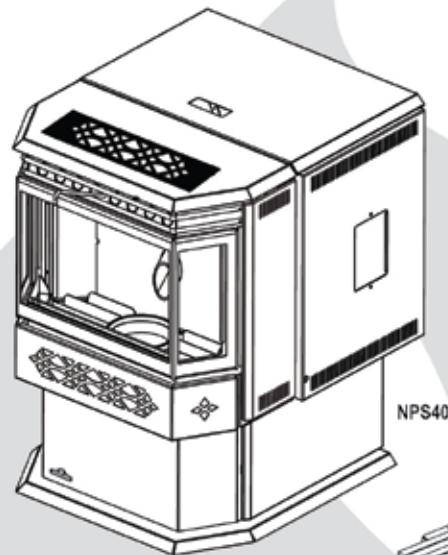


# INSTALLATION AND OPERATING INSTRUCTIONS

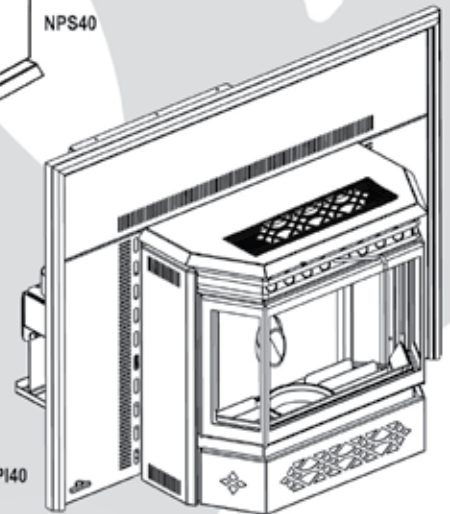
THIS FIREPLACE HAS BEEN TESTED TO ASTM E 1509, UL 1482, ULC S627.

**NPS40**  
PELLET STOVE HEATER

**NPI40**  
PELLET INSERT HEATER



NPS40



NPI40

CERTIFIED FOR CANADA AND UNITED STATES USING ANS/CSA METHODS.

## SAFETY INFORMATION

### WARNING

PLEASE READ ENTIRE MANUAL BEFORE YOU INSTALL OR USE THIS PELLET BURNING HEATER. If the heater is not properly installed, a house fire may result causing personal injury or loss of life.

- Contact local building or fire officials about restrictions and installation inspection requirements in your area.
- This heater is hot while in operation. Keep children, clothing and furniture away. Contact may cause skin burns.
- Do not start a fire with chemicals or fluids such as gasoline, engine oil, etc...



APPLY SERIAL NUMBER LABEL FROM CARTON



Wolf Steel Ltd., 24 Napoleon Rd., Barrie, ON L4M 4Y8 Canada • (705)721-1212 • fax(705)722-6031  
www.napoleonfireplaces.com • ask@napoleon.on.ca

# TABLE OF CONTENTS

<b>1.0</b>	<b>INTRODUCTION</b>	<b>4</b>
1.1	WARNINGS & SAFETY PRECAUTIONS	4
1.2	WARRANTY	6
1.3	DIMENSIONS	7
1.3.1	NPS40	7
1.3.2	NPI40 COMPLETE WITH NI800 FLASHING	7
1.3.3	NPI40 COMPLETE WITH AK9 ADAPTER AND CISK FLASHING	8
1.3.4	NPI40 COMPLETE WITH AK8 ADAPTER AND GICSK FLASHING	9
1.4	INSTALLATION OVERVIEW	10
<b>2.0</b>	<b>GENERAL INFORMATION</b>	<b>11</b>
2.1	PELLET QUALITY	11
2.2	HEATING SPECIFICATIONS	11
2.3	SPECIFICATIONS	12
2.4	SAFETY FEATURES	12
2.5	EPA COMPLIANCE	12
<b>3.0</b>	<b>INSTALLATION PLANNING</b>	<b>13</b>
3.1	HEATER PLACEMENT	13
3.2	INSTALLATION OPTIONS	13
3.3	FLOOR PROTECTION REQUIREMENTS	13
3.4	OUTSIDE AIR	14
3.5	MOBILE HOME	14
<b>4.0</b>	<b>GENERAL VENTING</b>	<b>15</b>
4.1	TYPE OF VENT	15
4.2	INSTALLING THE PELLET VENT	15
4.3	VENTING THE PELLET HEATER	15
4.4	PELLET VENT TERMINATION	15
4.5	MINIMUM AIR TERMINAL LOCATION CLEARANCES	16
4.6	ALCOVE INSTALLATION	17
4.7	STOVE VENTING INSTALLATION EXAMPLES	17
4.7.1	HORIZONTAL EXHAUST THROUGH WALL INSTALLATION	17
4.7.2	THROUGH WALL WITH VERTICAL RISE AND HORIZONTAL TERMINATION	18
4.7.3	MINIMUM INSIDE VERTICAL CLEARANCES	18
4.7.4	CLASS A CHIMNEY RETROFIT	19
4.7.5	HEARTH MOUNT INSTALLATION	19
4.7.6	INSTALLATION INTO A MASONRY FIREPLACE	20
<b>5.0</b>	<b>STOVE INSTALLATION</b>	<b>21</b>
5.1	MINIMUM CLEARANCE TO COMBUSTIBLES	21
5.1.1	STRAIGHT INSTALLATION	21
5.1.2	CORNER INSTALLATION	21
<b>6.0</b>	<b>INSERT INSTALLATION</b>	<b>22</b>
6.1	MASONRY FIREPLACE INSTALLATION	22
6.2	FACTORY BUILT (METAL) FIREPLACE	23
6.3	INSTALLATION INTO A COMBUSTIBLE ENCLOSURE	24
6.3.1	FRAMING	24
6.3.2	MINIMUM ENCLOSURE CLEARANCES	25
6.3.3	MINIMUM CLEARANCE TO COMBUSTIBLES	25
6.3.4	MINIMUM MANTEL CLEARANCES	25
6.4	HORIZONTAL VENT INSTALLATION	26
6.5	VERTICAL LINER INSTALLATION	26
6.6	REAR TO TOP VENT CONVERSION INSTRUCTIONS	26
<b>7.0</b>	<b>INSERT FINISHING</b>	<b>27</b>
7.1	FLASHING INSTALLATION	27
7.2	TRIVET INSTALLATION	27
7.3	INSTALLING VIEWING DOOR	28
<b>8.0</b>	<b>OPERATING INSTRUCTIONS</b>	<b>28</b>
8.1	PROPER PELLETS LOADING	28
8.2	LIGHTING HEATER MANUALLY	28
8.3	LIGHTING INSTRUCTIONS	29
<b>9.0</b>	<b>GENERAL MAINTENANCE</b>	<b>30</b>
9.1	DAILY (WHENEVER USING THE HEATER)	30
9.1.1	OPEN MAIN VIEWING DOOR	30
9.1.2	DISPOSAL OF ASHES	30
9.1.3	INSPECT THE BURN POT	30
9.1.4	CARE OF GLASS AND PLATED PARTS	30
9.1.5	CLEANING THE HEAT EXCHANGER TUBES	31
9.1.6	MAKE SURE PELLETS ARE NOT PILING UP	31
9.1.7	CLEANING THE BURN POT	31


9.2	BI-WEEKLY (OR EVERY 10 BAGS OF PELLETS)	32
9.2.1	VACUUM FIREBOX	32
9.3	SEMI-ANNUALLY (OR EVERY TWO TONS OF PELLET)	32
9.3.1	VACUUM HOPPER	32
9.3.2	SOOT AND FLY ASH FORMATION	33
9.3.3	CLEAN THE VERTICAL EXHAUST DUCT	33
9.3.4	CLEAN EXHAUST HOUSING (INSERT ONLY)	33
9.3.5	CLEAN THE EXHAUST BLOWER	33
9.3.6	CHECK ALL SEALS	34
9.3.7	CLEAN THE VENT	34
9.4	IN THE EVENT OF A JAMMED AUGER	34
<b>10.0</b>	<b>NORMAL OPERATING SOUNDS</b>	<b>35</b>
<b>11.0</b>	<b>WIRING DIAGRAM</b>	<b>36</b>
<b>12.0</b>	<b>REPLACEMENTS</b>	<b>37</b>
12.1	COMMON REPLACEMENT PARTS	40
12.2	NPS40 REPLACEMENT PARTS	41
12.3	NPI40 REPLACEMENT PARTS	42
12.4	COMMON ACCESSORY PARTS	43
12.5	NPI40 ACCESSORY PARTS	43
<b>13.0</b>	<b>TROUBLESHOOTING</b>	<b>44</b>
<b>14.0</b>	<b>SERVICE AND MAINTENANCE LOG</b>	<b>47</b>
<b>15.0</b>	<b>NOTES</b>	<b>48</b>

Before installation, consult with the authority having jurisdiction (building department, fire department etc...) to determine if there is the need to obtain a permit.


**NOTE: Changes, other than editorial, are denoted by a vertical line in the margin.**

# 1.0 INTRODUCTION


## 1.1 WARNINGS & SAFETY PRECAUTIONS



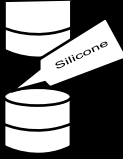
Do Not operate the heater if you smell smoke coming from the heater. Turn the Pellet Feed dial to "OFF", monitor your heater, and call a trained technician




Before installing this heater, contact the local building or fire authority and follow their guidelines. Notify your insurance company of this heater as well.




Do not start a fire with chemicals or fluids such as gasoline, engine oil, etc.




The exhaust system must be completely airtight and properly installed. It is recommended that the pellet vent joints be sealed with a minimum 500°F (260°C) silicone sealant. Install according to the vent manufacturers instructions.




Do not unplug the heater if you suspect a malfunction. Turn the Pellet Feed dial to "OFF" and monitor your heater.



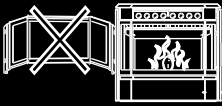
If this heater is not properly installed, a house fire may result.




Never try to repair or replace any part of the heater unless instructions are given in this manual. All other work should be done by a trained technician.




Your heater requires periodic maintenance and cleaning. Failure to maintain your heater may lead to smoke spillage in your home.



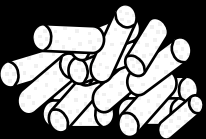
The viewing door and ashpan must be closed and latched during operation.




Allow the heater to cool before performing any maintenance or cleaning. Ashes must be disposed in a metal container with a tight lid and placed on a non-combustible surface well away from the home or structure.




Never block free airflow through the open vents of the unit. Do not operate the heater if the flame becomes dark and sooty or if the burnpot overfills with pellets. Turn the Pellet Feed dial to "OFF" and periodically inspect the heater.



The heater is designed and approved for pelletized wood fuel only. Any other type of fuel burned in this heater will void the warranty and safety listing.




During a power outage this heater will not operate. If a power outage does occur, check the heater for smoke spillage and open a window if any smoke spills into the room.



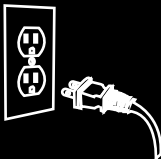
This heater must be connected to a standard 115 V., 60Hz grounded electrical outlet. Do not use an adapter plug or sever the grounding prong. Do not route the electrical cord underneath, in front of, or over the heater.




Keep foreign objects out of the hopper.



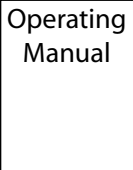
When installed in a mobile home, the heater must be bolted to the floor, have outside air, and NOT BE INSTALLED IN THE BEDROOM (Per H.U.D. requirements). Check with local building officials.




Disconnect the power cord before performing any maintenance.  
NOTE:  
Turning the Pellet Feed dial to "OFF" does not disconnect all power to the heater.



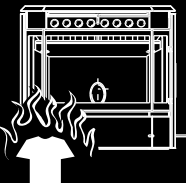
The exhaust system should be checked and cleaned once a year minimum for any build-up of soot or creosote.



Do not throw this manual away. This manual has important operating and maintenance instructions that you will need at a later time. Always follow the instructions in this manual.



This heater can become very hot, you MUST wear heat resistant gloves when cleaning or handling this heater.




Combustible materials such as firewood, wet clothing, etc. placed too close can catch fire. Objects placed in front of the heater must be kept a minimum of 48" from the front face of the heater.

**WARNING**



**HOT GLASS WILL CAUSE BURNS.  
DO NOT TOUCH GLASS UNTIL COOLED.  
NEVER ALLOW CHILDREN TO TOUCH GLASS.**



At no point should you use firewood or firelogs in this heater. The use of which could cause a house fire.

## 1.2 WARRANTY

NAPOLEON® Pellet Heaters are manufactured under the strict Standard of the World Recognized ISO 9001 : 2000 Quality Assurance Certificate.

NAPOLEON® products are designed with superior components and materials, assembled by trained craftsmen who take great pride in their work. The complete heater is thoroughly inspected by a qualified technician before packaging to ensure that you, the customer, receives the quality product that you expect from NAPOLEON®.

### NAPOLEON® PELLET HEATERS PRESIDENT'S LIFETIME LIMITED WARRANTY

The following materials and workmanship in your new NAPOLEON® Pellet Heater are warranted against defects for as long as you own the heater. This covers: the pellet hopper, outer shell, ceramic glass (thermal breakage only) and ash drawer.

The combustion chamber and heat exchanger are warranted against defects for a period of five years. All other wearable parts and electrical components such as blowers, thermal switches and burn pot are covered and NAPOLEON® will provide replacement parts free of charge during the first year of the limited warranty.

Labour related to warranty repair is covered free of charge during the first year. Repair work, however, requires the prior approval of an authorized company official. Labour costs to the account of NAPOLEON® are based on a predetermined rate schedule and any repair work must be done through an authorized NAPOLEON® dealer.

### CONDITIONS AND LIMITATIONS

NAPOLEON® warrants its products against manufacturing defects to the original purchaser only. Registering your warranty is not necessary. Simply provide your proof of purchase along with the model and serial number to make a warranty claim. Provided that the purchase was made through an authorized NAPOLEON® dealer your heater is subject to the following conditions and limitations:

**This factory warranty is non-transferable and may not be extended whatsoever by any of our representatives.**

**The Pellet Heater must be installed by an authorized service technician or contractor. Installation must be done in accordance with the installation instructions included with the product and all local and national building and fire codes.**

**This limited warranty does not cover damages caused by misuse, lack of maintenance, accident, alterations, abuse or neglect.**

**Operating heater on high for extended periods of time, is neglect. Parts installed from other manufacturers will nullify this warranty.**

**This limited warranty further does not cover any scratches, dents, corrosion or discoloring caused by excessive heat, abrasive and chemical cleaners nor chipping on porcelain enamel parts, nor any venting components used in the installation of the heater.**

**In the first year only, this warranty extends to the repair or replacement of warranted parts which are defective in material or workmanship provided that the product has been operated in accordance with the operation instructions and under normal conditions.**

**After the first year, with respect to the President's Limited Lifetime Warranty, NAPOLEON® may, at its discretion, fully discharge all obligations with respect to this warranty by refunding to the original warranted purchaser the wholesale price of any warranted but defective parts).**

**After the first year, NAPOLEON® will not be responsible for installation, labour or any other costs or expenses related to the reinstallation of a warranted part, and such expenses are not covered by this warranty.**

**Notwithstanding any provisions contained in the President's Limited Lifetime Warranty, napoleon's responsibility under this warranty is defined as above and it shall not in any event extend to any incidental, consequential or indirect damages.**

**This warranty defines the obligations and liability of NAPOLEON® with respect to the NAPOLEON® pellet heater and any other warranties expressed or implied with respect to this product, its components or accessories are excluded.**

**NAPOLEON® neither assumes, nor authorizes any third party to assume, on its behalf, any other liabilities with respect to the sale of this product. NAPOLEON® will not be responsible for: over-firing, downdrafts, spillage caused by environmental conditions such as rooftops, buildings, nearby trees, hills, mountains, inadequate vents or ventilation, excessive venting configurations, insufficient makeup air, or negative air pressures which may or may not be caused by mechanical systems such as exhaust blowers, furnaces, clothes dryers, etc.**

**Any damages to heater, combustion chamber, heat exchanger, brass trim or other component due to water, weather damage, long periods of dampness, condensation, damaging chemicals or cleaners will not be the responsibility of NAPOLEON®.**

**Regular cleaning of the fine ash generated during the operation of this heater is a necessary part of maintaining your pellet heater.**

**Failure of any components, which is attributed to poor maintenance, is not warrantable and will not be covered by this policy.**

**NAPOLEON® reserves the right to have its representative inspect any product or part thereof prior to honouring any warranty claim.**

All specifications and designs are subject to change without prior notice due to on-going product improvements. NAPOLEON® is a registered trademark of wolf steel ltd. Patents U.S. 5,303,693.801 - can. 2,073,411, 2,082,915. © wolf steel ltd.

### 1.3 DIMENSIONS

#### 1.3.1 NPS40

FIGURE 1.3.1a

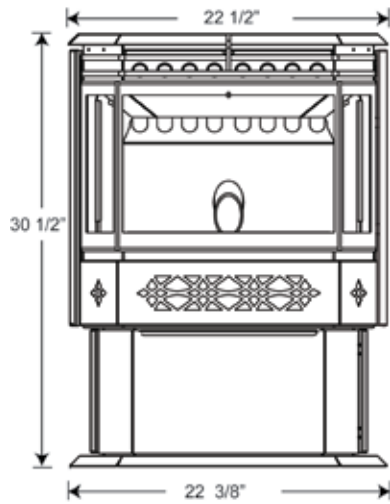
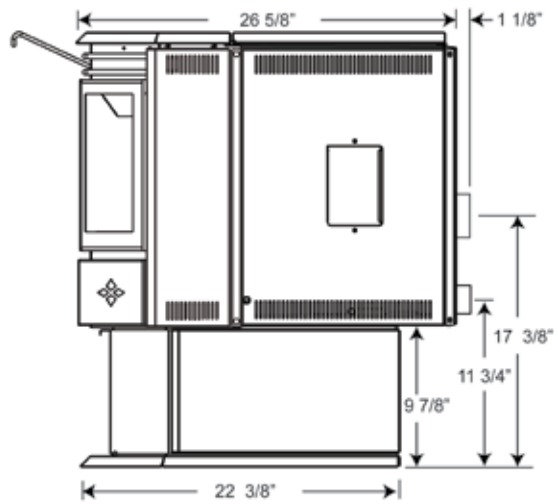


FIGURE 1.3.1b



#### 1.3.2 NPI40 COMPLETE WITH NI800 FLASHING

FIGURE 1.3.2a

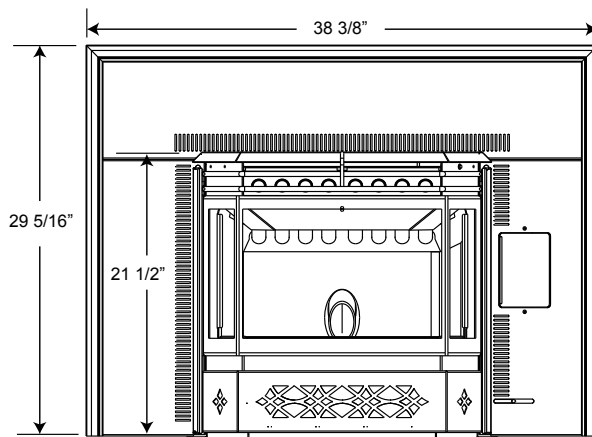


FIGURE 1.3.2b

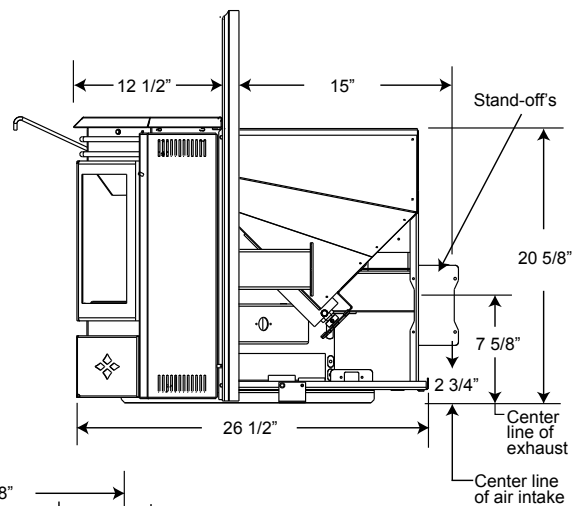
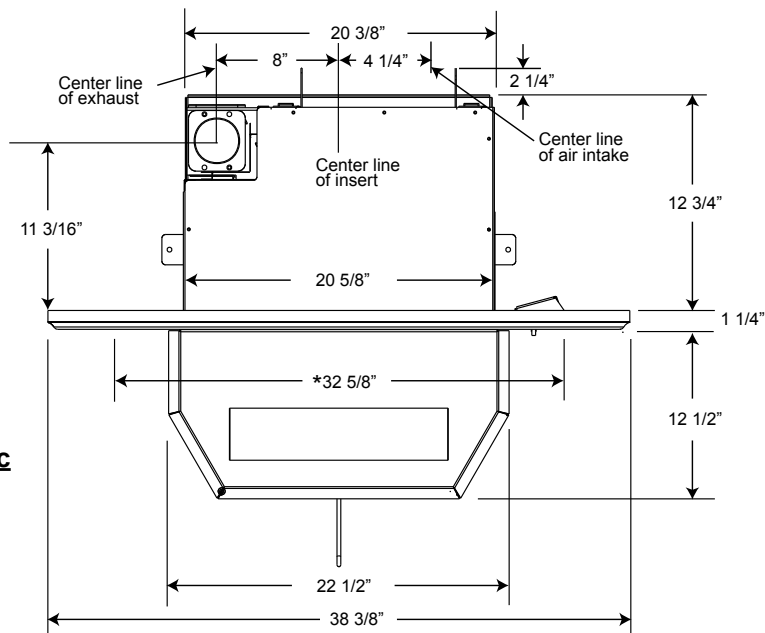


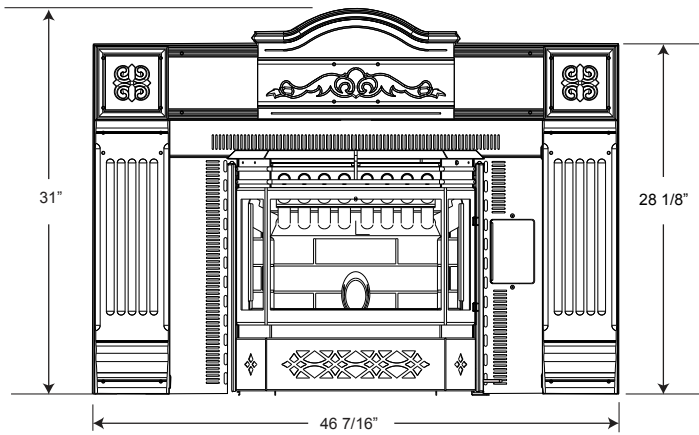
FIGURE 1.3.2c



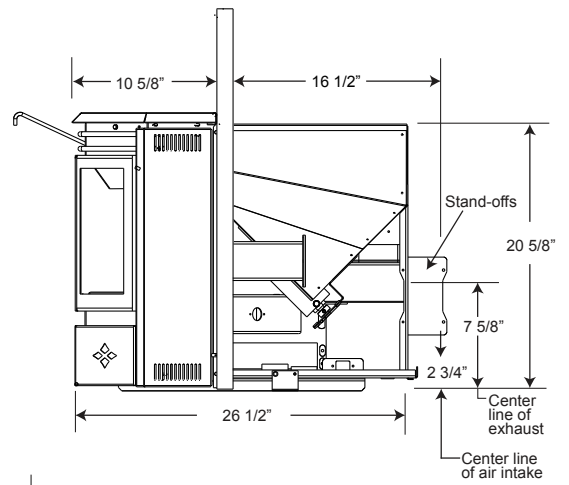
\*In order to install flashing flush to finished wall and centered within the opening the front opening of the fireplace or enclosure must be this wide.

**1.3.3 NPI40 COMPLETE WITH AK9 ADAPTER AND CISK FLASHING**

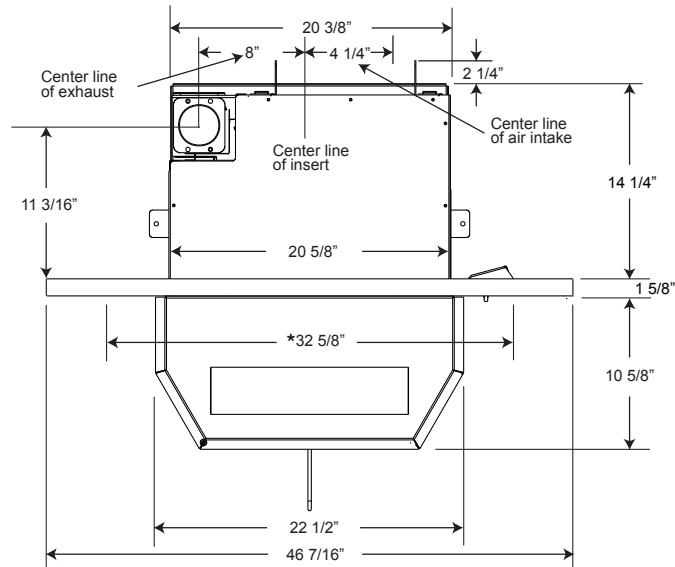
**FIGURE 1.3.3a**



**FIGURE 1.3.3b**



**FIGURE 1.3.3c**

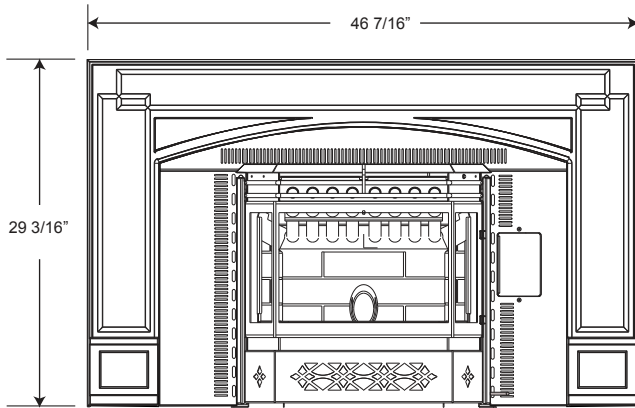


\*In order to install flashing flush to finished wall and centered within the opening the front opening of the fireplace or enclosure must be this wide.

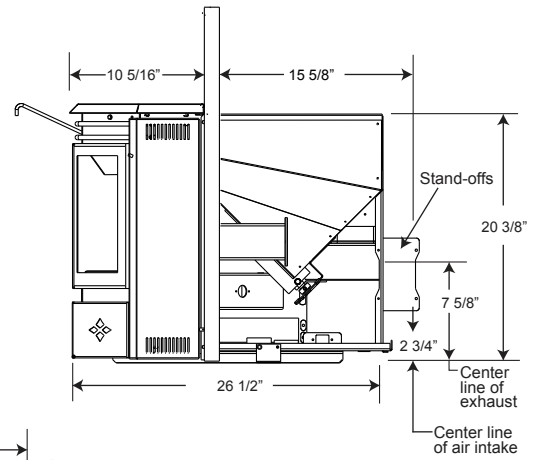


### 1.3.4 NPI40 COMPLETE WITH AK8 ADAPTER AND GICSK FLASHING

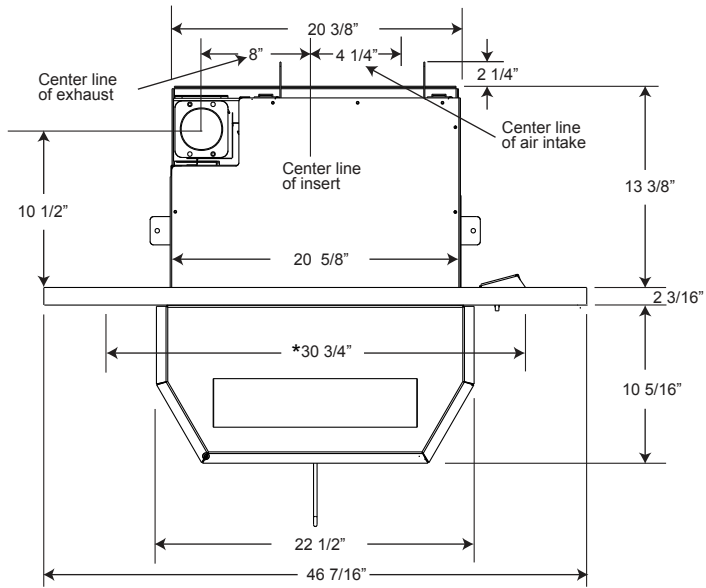
**FIGURE 1.3.4a**



**FIGURE 1.3.4b**

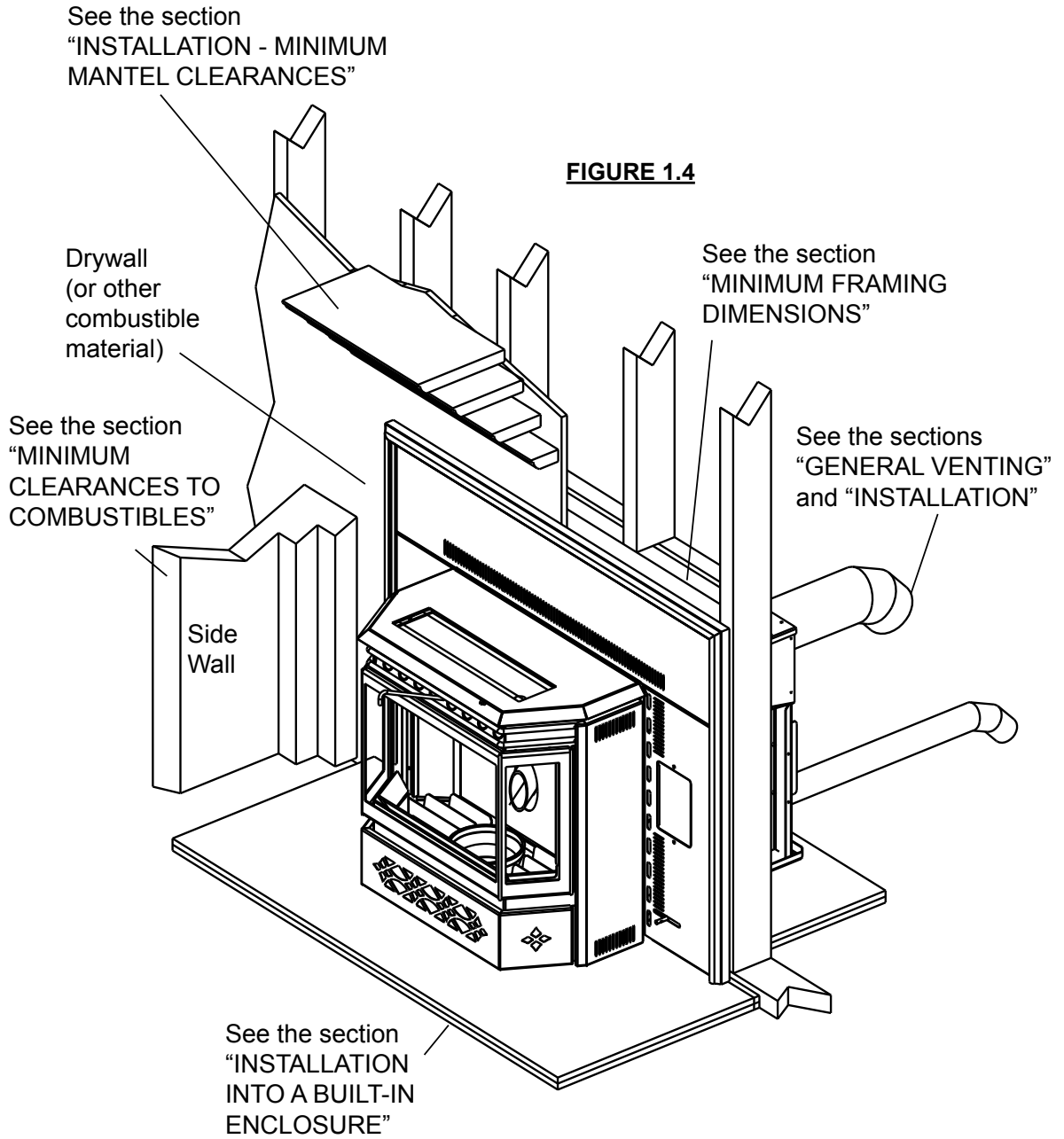


**FIGURE 1.3.4c**



\*In order to install flashing flush to finished wall and centered within the opening the front opening of the fireplace or enclosure must be this wide.

**1.4 INSTALLATION OVERVIEW**



## 2.0 GENERAL INFORMATION

Thank you for purchasing the Wolf Steel Ltd. Pellet Heater. This heater is designed for use with Pelletized Wood Only.

Please read this entire manual before installation and use of this pellet fuel-burning room heater. Failure to follow these instructions could result in property damage, bodily injury or even death.

Keep this manual handy for future reference.

This Pellet Heater, when installed, must be electrically grounded in accordance with the local codes, or in the absence of local codes, use the current CSA C22.1 Canadian Electrical Code in Canada or the ANSI/NFPA 70 National Electrical Code in the United States.

This heater will not operate using natural draft or without a power source for the blower systems and fuel feed system.

The protective wrap on plated parts is best removed when the assembly is at room temperature but this can be improved if the assembly is warmed, using a hair dryer or similar heat source.

### 2.1 PELLET QUALITY

Pellet quality is important, please read the following:

Your Wolf Steel Ltd. Pellet Heater has been designed to burn premium hard or soft wood pellets only. Do not use any other type of fuel such as fire logs or fire starting pellet, as this will void the warranties stated in this manual.

The performance and heat output of the pellet heater is directly related to the quality and moisture of the pellets. Store pellets in a cool dry area to prevent moisture absorption.

#### WARNING

**It is important to select and use only pellets that are dry and free of dirt or any impurities such as high salt content. Dirty fuel will adversely affect the operation and performance of the unit and will void the warranty. The Pellet Fuel Institute (P.F.I.) has established standards for wood pellet manufacturers. We recommend the use of pellets that meet or exceed these standards. Ask your dealer for a recommended pellet type.**

#### P.F.I. PELLET STANDARDS:

Fines (fine particles)	1% maximum through a 1/8" screen
Bulk Density	40 pound per cubic foot minimum
Size	1/4" to 5/16" diameter, 1/2" - 1 1/2" long maximum
Ash Content	1% maximum (Premium grade)
	3% maximum (Standard grade)
Moisture Content	8% maximum
Heat Content	Approximately 8200 BTU per pound minimum

If the fuel does not comply to this standard the heater may not operate as designed.

We recommend the use of premium grade (1% ash content) for longer stove life and less frequent cleaning.

### 2.2 HEATING SPECIFICATIONS

Approximate Maximum Heating Capacity (in square feet)*	800 to 2000 Sq. Feet
Burn Rate (Pounds per Hour)**	1.0 to 5.0
Maximum Burn Time on Low Burn**	55 Hours (NPS40), 45 Hours (NPI40)
Hopper Capacity	55 Pounds (NPS40), 45 Pounds (NPI40)

\* Heating capacity will vary depending on the home's floor plan, degree of insulation, and the outside temperature. It is also affected by the fuel size, quality, and moisture level.

\*\* Small pellets will increase or decrease the stated burn rates and burn times. Differences of plus or minus 20% depending on fuel quality may occur.

## 2.3 SPECIFICATIONS

Electrical Rating	115 Volts, 3.6 Amps, 60Hz
Watts During Start-Up Sequence	400 (approximately)
Watts During Operation	180 (approximately)
NPS40 Width	22 3/8"
NPS40 Height	30 1/2"
NPS40 Depth	26 5/8"
Weight	210 Pounds
Exhaust Collar	3"
Intake Collar	2"
NPS40 Hopper Cap.	55 Pounds
NPI40 Hopper Cap.	45 Pounds
EPA	Exempt
Burn Rate**	1.0 to 5.0 (Pounds Per Hour)
BTU/h**	8500 to 42500
Minimum Fireplace Opening Size	Front: 22 1/2* W x 20 5/8 H x 14 1/4 D Back: 20 3/8 W

\* In order to install flashing flush to finished wall and centered within the opening the front opening of the fireplace or enclosure must be 32 5/8" wide.

## 2.4 SAFETY FEATURES

**HIGH LIMIT SWITCH:** Your heater is equipped with a high limit switch. In the event that the temperature of the heater approaches an unsafe operating temperature, this switch will shut down the pellet feed, which will eventually shut down the unit. If this happens, it is important to find out why the unit overheated. Contact your local dealer.

**LOW LIMIT SWITCH:** This switch will automatically shut down the heater if the fire goes out.

**HOPPER DOOR INTERLOCK:** Your heater is equipped with a micro switch in the hopper assembly that shuts-off the auger when the hopper door is opened. Closing the door switches the auger back on, allowing pellets to feed again.

**BLOWER OVER-RIDE SWITCH:** Your heater is equipped with a convection blower that circulates hot air into your room. This switch will automatically turn the blower on, when the temperature at the back of the fire box reaches a certain temperature. The blower can cycle from your desired setting to maximum speed depending on the feed rate. When the heater cools back down, the blower will return to the initial setting.

**VACUUM SWITCH:** This switch will sense lack of air flow through the heater and shut down the pellet feed. This lack of flow could be caused by a blocked vent.

**POWER FAILURE:** In the event of a power failure, the heater will shut down. Once power is restored, the heater will re-start, unless the convection air temperature has gone above the high limit switch setting. If this happens, contact your local dealer.

## 2.5 EPA COMPLIANCE

This heater is EPA exempt from Phase II requirements, but has been tested for emissions using EPA test methods by Warnock Hersey.



We recommend that our pellet hearth products be installed and serviced by professionals who are certified in the U.S. by the National Fireplace Institute® (NFI) as NFI Pellet Specialists or who are certified in Canada by Wood Energy Technical Training (WETT).



## 3.0 INSTALLATION PLANNING

### ! WARNING

Read entire manual before you install or use this heater. Failure to follow the instructions may result in property damage, bodily injury or even death.

Check with local building officials for any permits required for installation of this pellet heater and notify your insurance company before proceeding with installation.

Before installing we recommend placing the heater outside and load 5 pounds of pellets inside the hopper. Plug the heater in and let it run on HIGH until the pellets run out. This will cure the paint and burn off the oils on the steel, thereby minimizing any smell inside the home.

### 3.1 HEATER PLACEMENT

Have an authorized dealer install the heater. If you install the heater yourself, have your dealer review your installation plans and/or installation.

Draw out a detailed plan of the installation including dimensions and verify the dimensions with the requirements listed in this manual.

For built-in enclosures, when determining the location of the heater, locate the wall studs (for horizontal penetrations). You may wish to adjust the heater position slightly to ensure the vent does not intersect with a framing member. Heater must be positioned so that no combustibles are within, or can swing within (e.g. drapes, doors), 48" of the front of the heater.

If the heater is placed in a location where the ceiling height is less than 7' above the base of the heater, the installation must follow the requirements in the section "Alcove Installations Requirements".

### 3.2 INSTALLATION OPTIONS

#### NPS40:

To install in a Residential or Mobile Home see the section "*Mobile Home Requirements*".

For alcove installations see the section "*Alcove Installation Requirements*".

For horizontal vent or vertical vent see the section "*General Venting*".

See the section "*Outside Air*" for this option.

#### NPI40:

The insert can be adapted to vent out the rear or vertically.

To install as an insert into an existing masonry fireplace factory built fireplace or a built in combustible enclosure see Insert Installation.

### 3.3 FLOOR PROTECTION REQUIREMENTS

#### NPS40:

The heater must be installed on a non-combustible floor protector extending the full depth of the heater and extending a minimum 6" in front and on either side (minimum .018" thick - 26 gauge).

The floor protector must extend under and 2" beyond each side and rear of a "Tee" (if used).

#### NPI40:

In the case of the NPI40, the floor protector must have a R-value of  $0.4 \frac{\text{hr ft}^2\text{°F}}{\text{BTU}}$

### 3.4 OUTSIDE AIR

Available from your Authorized Dealer (114KT)

Outside air must not be drawn from an enclosed space (garage, unventilated crawl space).

**NOTE:** Wolf Steel Ltd. strongly suggests using outside air for all residential installations, especially for those that are energy efficient, air-tight homes.

Outside air supply must not be over 15' long.

Outside air vents must be made with 1 3/4" diameter or larger metal or aluminum duct with a metal screen attached to the end to keep out rodents (P.V.C. or other materials may not be used).

The outside air inlet must not be above or within 12" of the chimney termination, must have a rain cap or down-turned elbow to prevent the water from entering and be located so that it will not become plugged by snow or other material.

Outside air is mandatory for a combustibile built-in enclosure install.

### 3.5 MOBILE HOME

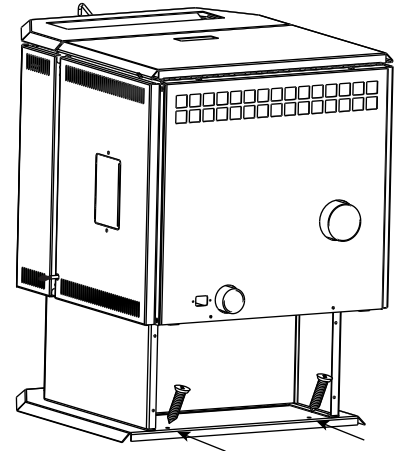
#### **! WARNING**

**Do not install in a sleeping room.**

**The structural integrity of the manufactured home floor, wall, and ceiling roof must be maintained.**

Installation into a manufactured home or mobile home should be installed in accordance with the Manufactured Home Construction and Safety Standard, Title 24 CFR, Part 3280, in the United States or the Mobile Home Standard, CAN/CSA Z240 MH Series, in Canada.

The heater must be grounded to the steel chassis of the mobile home (Some states do not require this; check with your local building department).



**FIGURE 3.5**

## 4.0 GENERAL VENTING

### ! WARNING

Pellet vent must maintain a minimum 3" clearance to any combustible (install vent at clearances specified by the vent manufacturer).

Do not connect the pellet vent to a vent or chimney serving any other appliance or heater.

Do not install a flue damper in the exhaust venting system of this unit.

### 4.1 TYPE OF VENT

Must be an approved 3" or 4" diameter Type "L" or "PL" vent, vented to the outside or connect the vent to a factory built type "A" chimney using an adaptor; and/or stainless steel chimney liner for masonry fireplace installations. Use 4" diameter vent if vent or liner height is over 15' or if installation is over 4,000' above sea level.

### 4.2 INSTALLING THE PELLETT VENT

The vent must have a support bracket every 5' when on the exterior wall. To achieve optimum performance, keep vent runs as short as possible, especially on horizontal installations.

**MAXIMUM VENTING:** Maximum venting height is 33'. Maximum horizontal vent run is 10'. Use no more than 180° of elbows (two 90° elbows, or two 45° elbows and one 90° elbow, etc), **excluding the tee and the termination.**

**VENT INSTALLATION:** Termination must exhaust above the air inlet elevation, and parallel or above the exhaust output of the pellet appliance. It is recommended that at least 3' of vertical pipe be installed to create some natural draft. This is to help prevent the possibility of smoke or odour during the appliance shut down or in the event of a power outage. Horizontal sections must have a 1/4" rise every 12" of travel if longer than 3'.

The pellet vent connections must be sealed with HI-Temp RTV Silicone and screwed together with at least 3 3/8" long stainless steel screws. Seal each vent section by injecting a liberal amount of 500°F (260°C) RTV silicone sealant into the gap. We recommend sealing the outside of the vent connections to permit easier access when servicing.

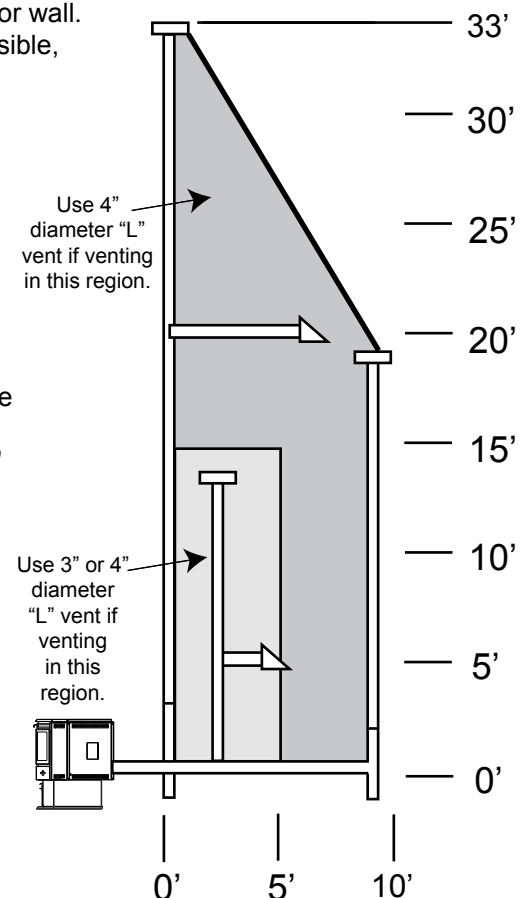


FIGURE 4.2

### 4.3 VENTING THE PELLETT HEATER

Use an approved wall thimble when passing the vent through walls and a ceiling support/fire stop spacer when passing the vent through ceilings (maintain a 3" clearance to any combustibles).

### 4.4 PELLETT VENT TERMINATION

The vent termination must have an approved cap (to prevent water from entering) or a 45° downturn.

If the termination is located on a windy side of the house, a shield is recommended to prevent soot from building up on the side of the house.

Horizontal terminations must protrude 12" from the wall, vertical terminations require a minimum 24" above the highest point that it penetrates through the roof.

Depending on pellet quality, vent configuration and air settings, black soot may occur on the terminal wall.

**4.5 MINIMUM AIR TERMINAL LOCATION CLEARANCES**

**FIGURE 4.5**

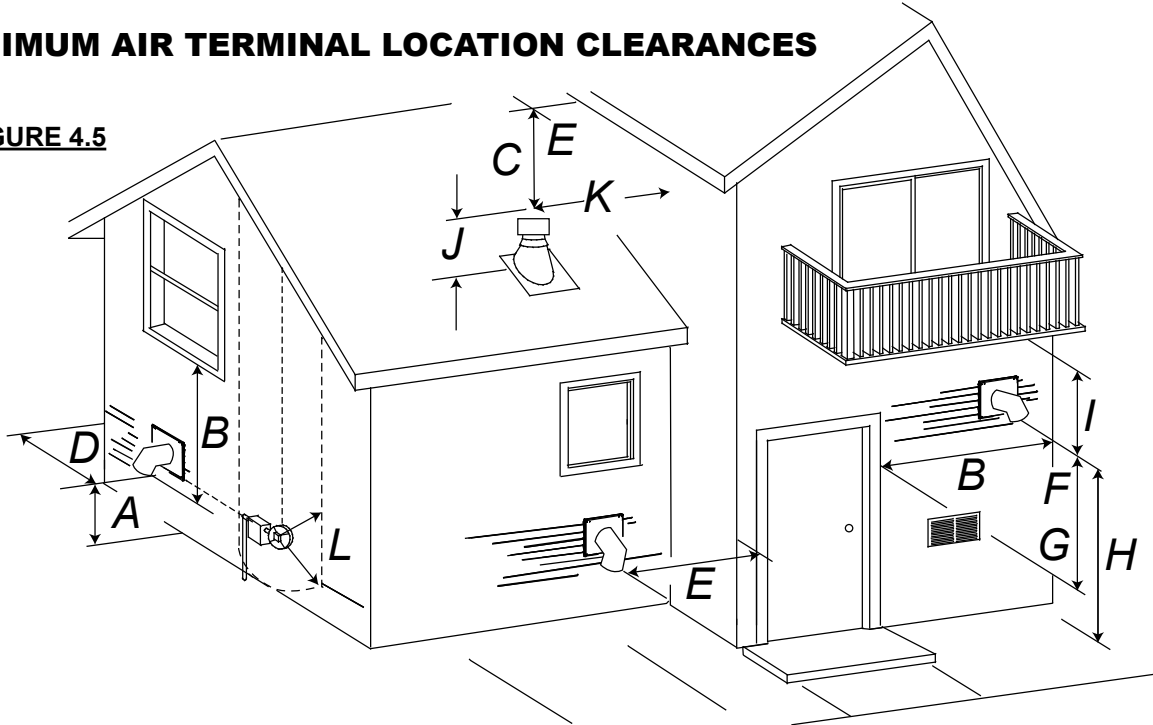


Illustration dimensions are to the center and the exhaust exit point of the vent.

CLEARANCE		
A	24 INCHES	Clearance above grade, veranda porch, deck or balcony. (Including Vegetation and Mulch)
B	48 INCHES	Clearance beside or below any windows or doors that open.
	12 INCHES*	Clearance above any window or door that opens.
C	18 INCHES	Vertical clearance to ventilated soffit located above the terminal within a horizontal distance of 2 feet from the centerline of the terminal.
D	0 INCHES	Clearance to an outside corner wall.
E	3 INCHES	Clearance to an inside combustible corner wall or protruding combustible obstructions ( vent chase, etc.).
F	9 INCHES	Clearance to a non-mechanical air supply inlet to the building or a combustion air inlet to any other appliance.
G	3 FEET	Clearance to a mechanical air supply inlet.
H	7 FEET**	Clearance above a paved sidewalk or paved driveway located on public property.
I	12 INCHES**	Clearance under a veranda, porch, deck or balcony.
J	24 INCHES	Clearance above the roof.
K	2 FEET	Clearance from an adjacent wall including neighbouring buildings.
L	3 FEET within a height of 15 FEET above the meter/regulator assembly	Clearance to each side of center line extended above natural gas or propane meter/regulator assembly or mechanical vent.

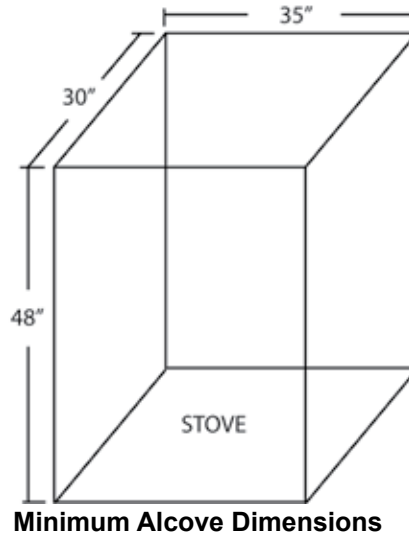
\* Recommended to prevent condensation on windows and thermal breakage

\*\* This is a recommended distance. For additional requirements check local codes.



**4.6 ALCOVE INSTALLATION**

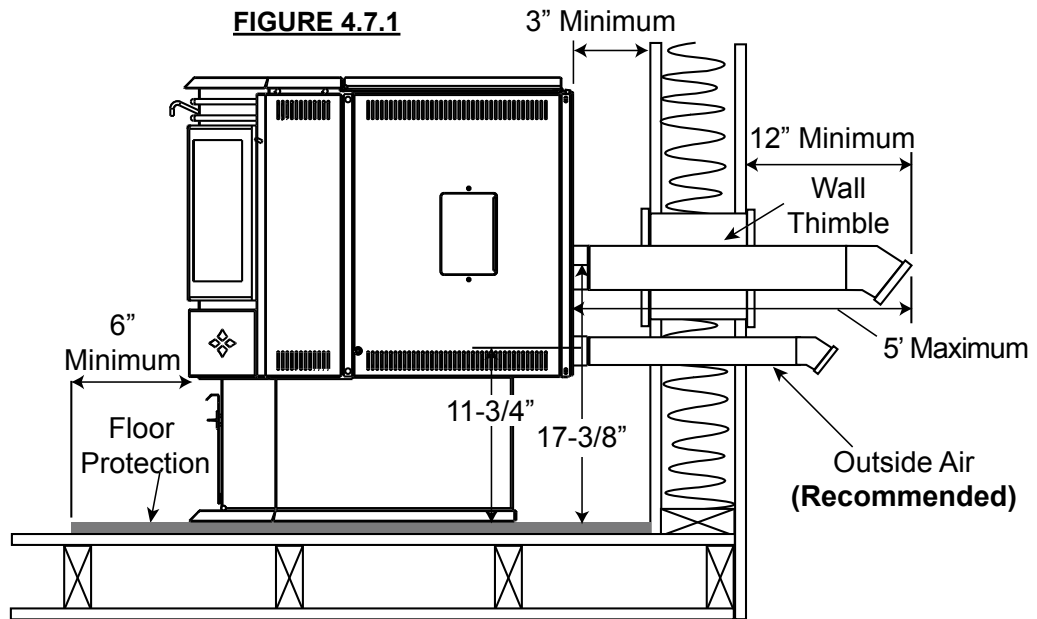
**FIGURE 4.6**



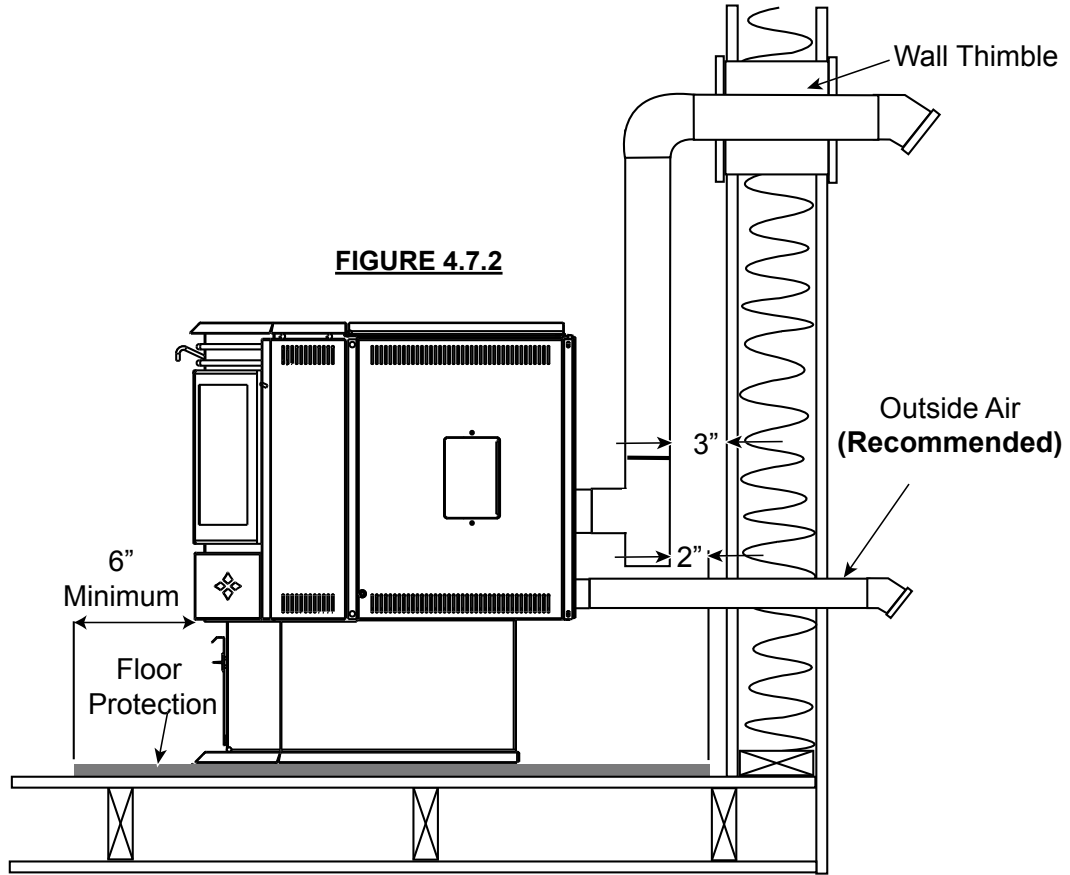
**4.7 STOVE VENTING INSTALLATION EXAMPLES**

**4.7.1 HORIZONTAL EXHAUST THROUGH WALL INSTALLATION**

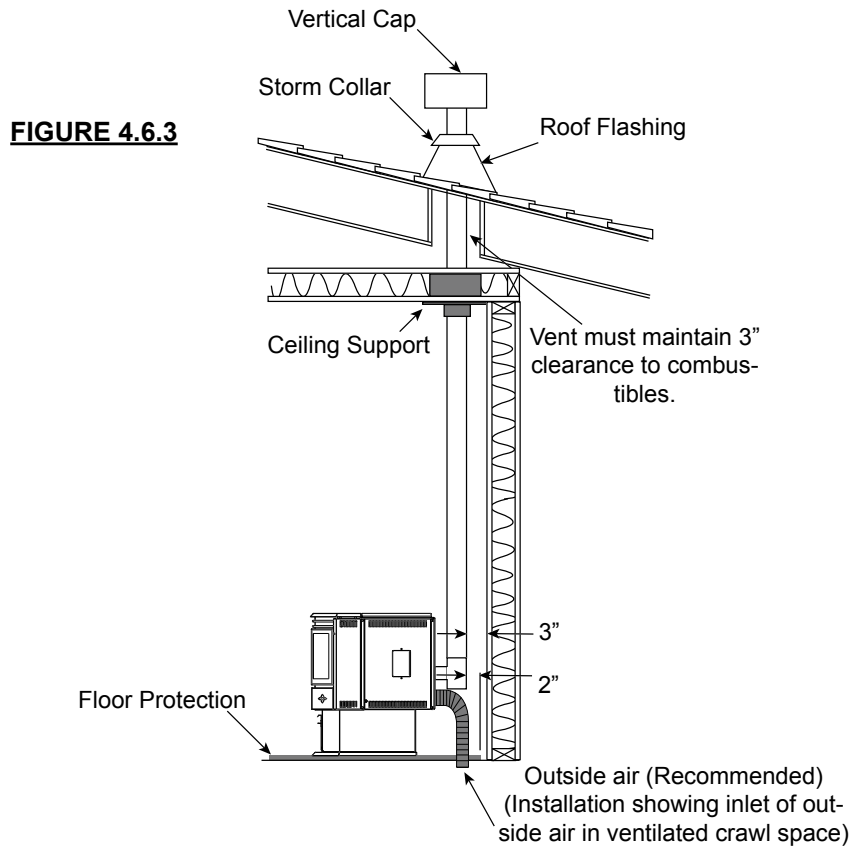
**FIGURE 4.7.1**



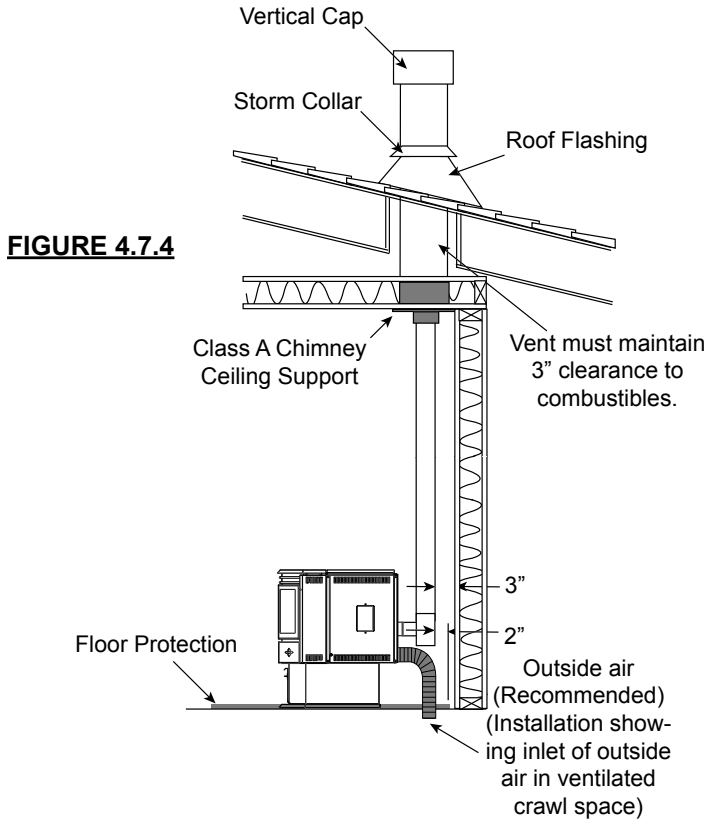
**4.7.2 THROUGH WALL WITH VERTICAL RISE AND HORIZONTAL TERMINATION**



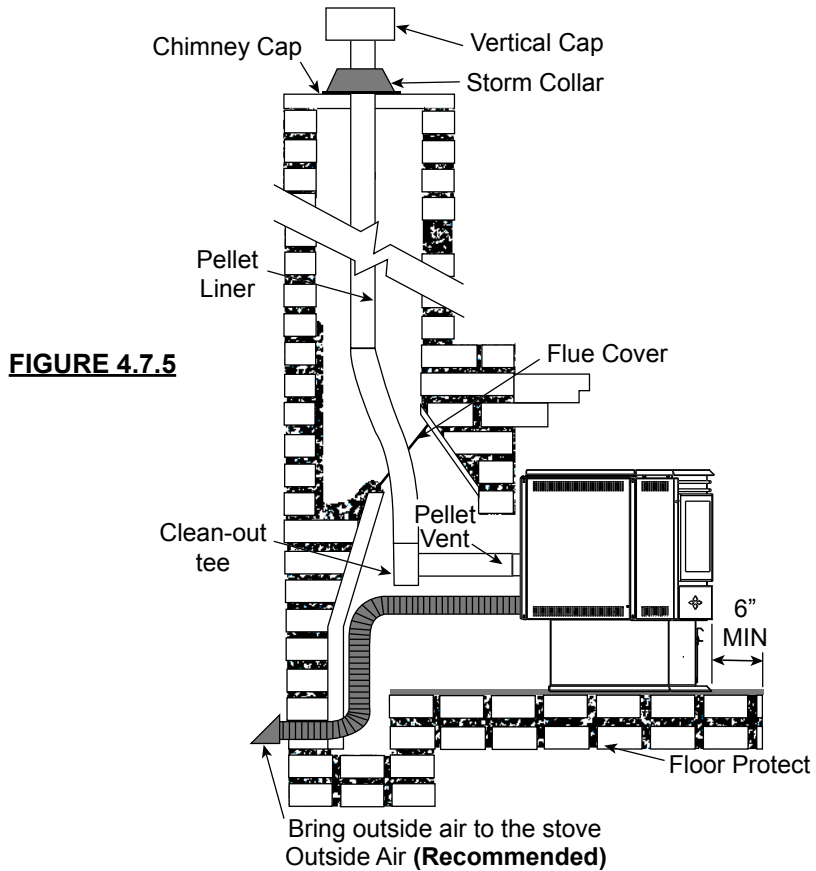
**4.7.3 MINIMUM INSIDE VERTICAL CLEARANCES**



### 4.7.4 CLASS A CHIMNEY RETROFIT



### 4.7.5 HEARTH MOUNT INSTALLATION



#### 4.7.6 INSTALLATION INTO A MASONRY FIREPLACE



**Do not remove bricks or mortar from the fireplace.**

**Prior to installation:**

When installing into a masonry fireplace, do not remove any bricks or masonry. Do not weaken the structure, or reduce the protection for combustible materials to less than that required by the National Building Code.

Bolted or screwed together pieces (smoke shelf / deflectors) may be removed, but must be able to be re-installed if the heater was removed.

External trim pieces, which do not affect the operation of the fireplace, may be removed provided they are available to be re-installed in event the heater is removed.

A warning label must be attached to the back wall of the fireplace stating that "This fireplace has been altered to accommodate a fireplace insert and must be re-inspected by a qualified person prior to re-use as a factory built fireplace".

A non-combustible hearth must cover the flooring underneath, as well as extend a minimum of six inches in front and to both sides of the heater.

Clean all ashes out of the inside of the fireplace. Make sure that the chimney and fireplace are free of cracks, loose mortar, creosote deposits, blockage or other signs of deterioration. If necessary, have any repair work done by a qualified professional before installing the heater.

- A. Remove the fireplace damper or fasten it permanently open.
- B. Measure the throat of the fireplace and mark this shape on a piece of 24 gauge sheet metal (flue cover). Cut a hole sized for the pellet liner to lie directly below the fireplace flue opening. Allow two inches of material for a flange on all sides and cut to these measurements. Bend down the flanges. If you have never done this before, it might be a good idea to make a cardboard pattern and test it first. Fasten this flue cover in position as high as possible with two masonry screws per side through the flanges into the fireplace.
- C. If you plan on connecting outside air it is recommended to do so at this time.
- D. Connect the pellet vent with a clean out tee to the back of the stove. Refer to manufacturer's installation instructions to see the "GENERAL VENTING" section.
- E. Run a liner down the chimney and connect to tee.
- F. Position the heater in it's final location.
- G. Pull the excess length of liner out through the top of the chimney. Trim the excess liner, install the cap and cap the chimney.

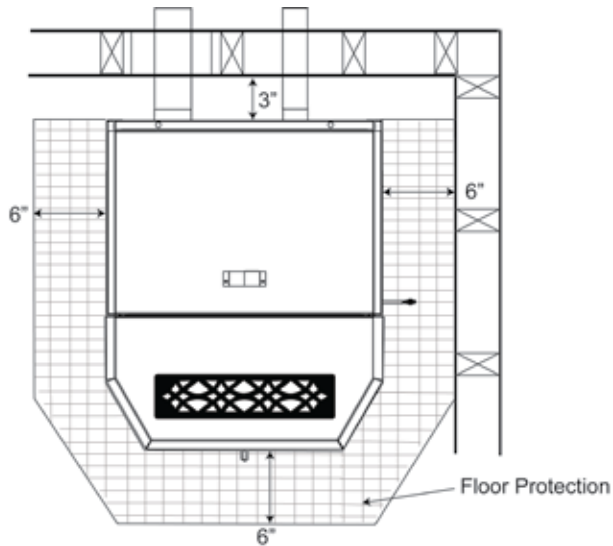
## 5.0 STOVE INSTALLATION

### 5.1 MINIMUM CLEARANCE TO COMBUSTIBLES

#### 5.1.1 STRAIGHT INSTALLATION

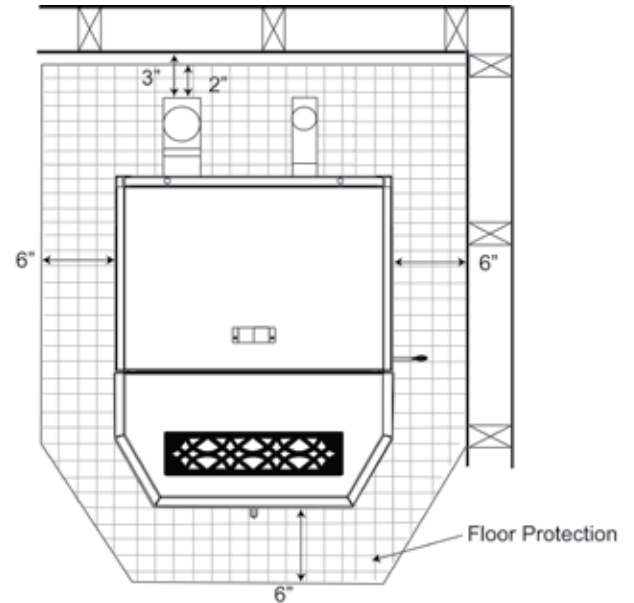
Through the Wall Installations

**FIGURE 5.1.1a**



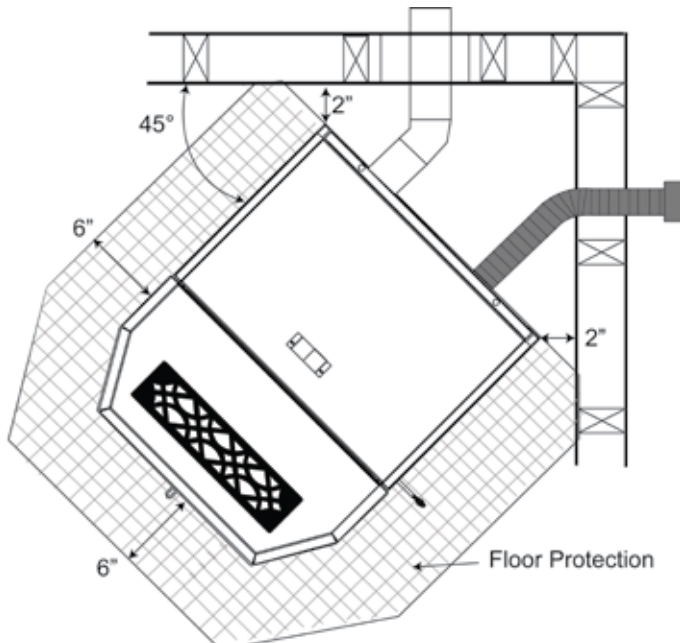
**FIGURE 5.1.1b**

Interior Vertical Vents



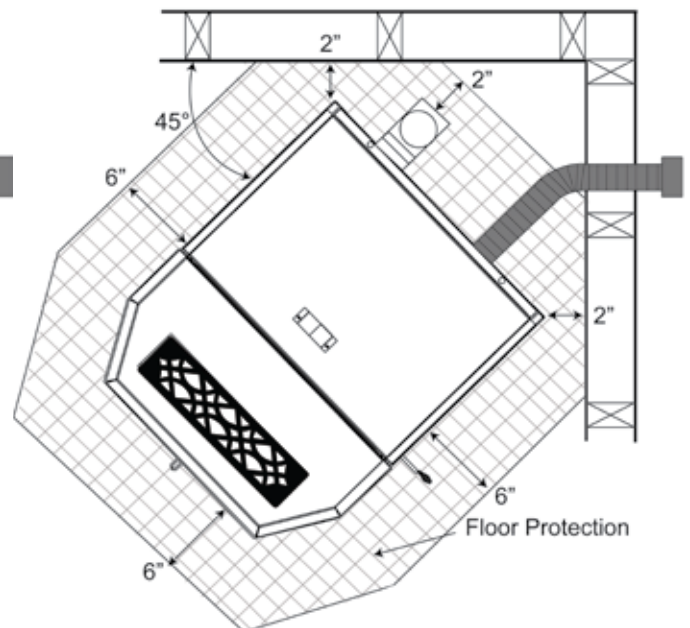
#### 5.1.2 CORNER INSTALLATION

Through the Wall Vents



**FIGURE 5.1.2a**

Interior Vertical Vents



**FIGURE 5.1.2b**

**NOTE:** If interior vertical pellet vent is used, the clearance to the back wall is determined by the upward-turning elbow or "Tee". It will vary in depth depending on the brand of pellet vent used (it is approximately 5"). Before placing the heater, connect the elbow or "Tee" and allow for the minimum 3" clearance to the combustible wall.

## 6.0 INSERT INSTALLATION

### 6.1 MASONRY FIREPLACE INSTALLATION

#### ⚠ WARNING

Do not remove bricks or mortar from the fireplace.

#### **Prior to installation:**

Stand-offs may be removed to fit the insert into the fireplace.

When installing the insert into a masonry fireplace, do not remove any bricks or masonry. Do not weaken the structure, or reduce the protection for combustible materials to less than that required by the National Building Code. Bolted or screwed together pieces (smoke shelf / deflectors) may be removed, but must be able to be re-installed if the heater was removed.

External trim pieces, which do not affect the operation of the fireplace, may be removed provided they are available to be re-installed in event the heater is removed.

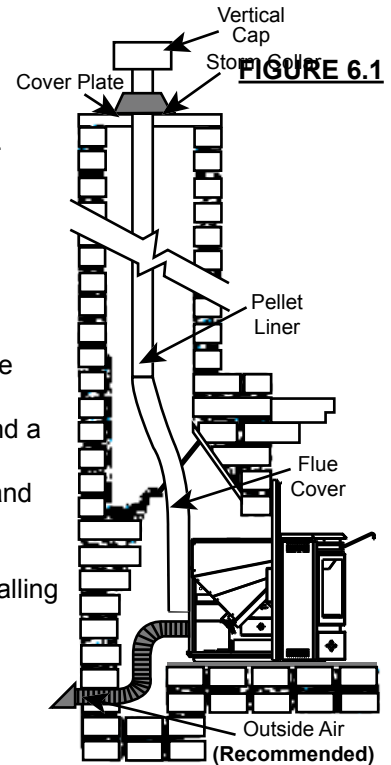
A warning label must be attached to the back wall of the fireplace stating that "This fireplace has been altered to accommodate a fireplace insert and must be re-inspected by a qualified person prior to re-use as a factory built fireplace".

A non-combustible hearth must cover the flooring underneath, as well as extend a minimum of six inches in front and to both sides of the heater.

Clean all ashes out of the inside of the fireplace. Make sure that the chimney and fireplace are free of cracks, loose mortar, creosote deposits, blockage or other signs of deterioration.

If necessary, have any repair work done by a qualified professional before installing the heater.

- A. Remove the fireplace damper or fasten it permanently open.
- B. Measure the throat of the fireplace and mark this shape on a piece of 24 gauge sheet metal (flue cover). Cut a hole sized for the pellet liner to lie directly below the fireplace flue opening. Allow two inches of material for a flange on all sides and cut to these measurements. Bend down the flanges. If you have never done this before, it might be a good idea to make a cardboard pattern and test it first. Fasten this flue cover in position as high as possible with two masonry screws per side through the flanges into the fireplace.
- C. If you plan on connecting outside air it is recommended to do so at this time.
- D. Connect the pellet vent with a clean out tee to the back of the stove. Refer to manufacturer's installation instructions, see "REAR TO TOP VENT CONVERSION INSTRUCTIONS" section and the "GENERAL VENTING" section.
- E. Run a liner down the chimney and connect to tee.
- F. Position the stove in it's final location.
- G. Pull the excess length of liner out through the top of the chimney. Trim the excess liner, install the cap and cap the chimney.



## 6.2 FACTORY BUILT (METAL) FIREPLACE

### Prior to installation:

Stand-offs may be removed to fit the insert into the fireplace.

Do not weaken the structure, or reduce the protection for combustible materials to less than that required by the National Building Code. Bolted or screwed together pieces (smoke shelf / deflectors) may be removed, but must be able to be re-installed if the heater was removed.

External trim pieces, which do not affect the operation of the fireplace, may be removed provided they are available to be re-installed in event the heater is removed.

A warning label must be attached to the back wall of the fireplace stating that "This fireplace has been altered to accommodate a fireplace insert and must be re-inspected by a qualified person prior to re-use as a factory built fireplace".

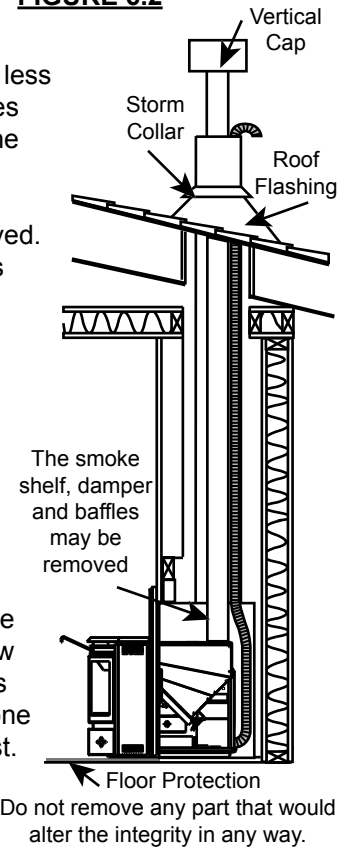
A non-combustible hearth must cover the flooring underneath, as well as extend a minimum of six inches in front and to both sides of the heater.

Clean all ashes out of the inside of the fireplace.

If necessary, have any repair work done by a qualified professional before installing the heater.

- A. Remove the fireplace damper or fasten it permanently open.
- B. Measure the throat of the fireplace and mark this shape on a piece of 24 gauge sheet metal (flue cover). Cut a hole sized for the pellet liner to lie directly below the fireplace flue opening. Allow two inches of material for a flange on all sides and cut to these measurements. Bend down the flanges. If you have never done this before, it might be a good idea to make a cardboard pattern and test it first. Fasten this flue cover in position as high as possible with two masonry screws per side through the flanges into the fireplace.
- C. If you plan on connecting outside air it is recommended to do so at this time.
- D. Connect the pellet vent with a clean out tee to the back of the stove. Refer to manufacturer's installation instructions to see the "GENERAL VENTING" section.
- E. Run a liner down the chimney and connect to tee.
- F. Position the stove in it's final location.
- G. Pull the excess length of liner out through the top of the chimney. Trim the excess liner, install the cap and cap the chimney.

**FIGURE 6.2**



## 6.3 INSTALLATION INTO A COMBUSTIBLE ENCLOSURE

### ! WARNING

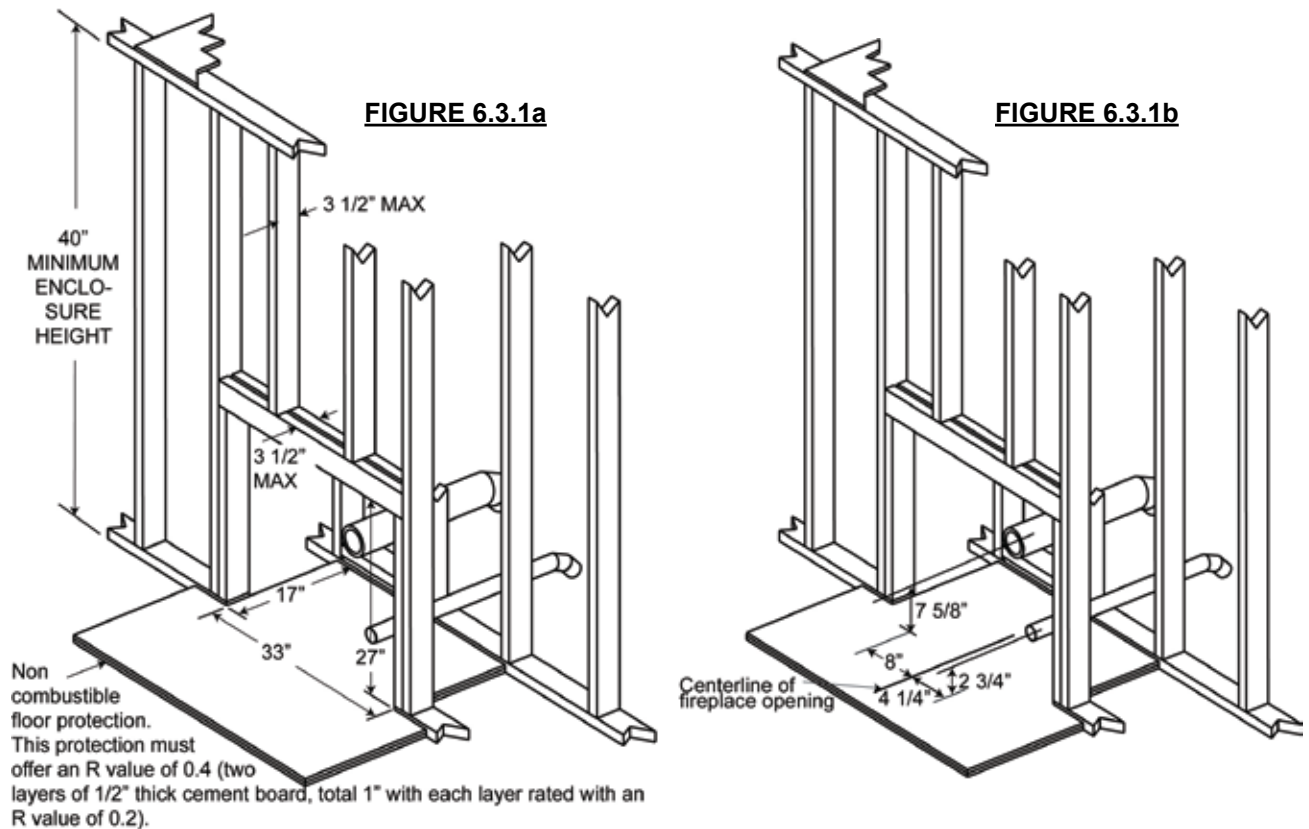
The stand-offs located on the back of the insert must not be removed when installing the insert into a built-in combustible enclosure.

When installing the insert as a "Built-in" heater, it is important to maintain the clearances to combustibles, see "MINIMUM CLEARANCE TO COMBUSTIBLES" section.

A non-combustible hearth must cover the flooring underneath, as well as, a minimum of six inches in front and to both sides of the heater.

### 6.3.1 FRAMING

- A. Install floor protection.
- B. Frame structure maintaining minimum clearances. Locate and frame openings for both the exhaust and outside air. Outside air is mandatory for "Enclosure" installations.
- C. Refer to the vent manufacturer's installation instructions and to "GENERAL VENTING" section. Connect the vent.
- D. Install flashing. See "NPI40 FINISHING - FLASHING INSTALLATION" section.
- E. Consideration must be taken during installation that removal of the insert is necessary for inspection and annual maintenance. Install the vent cap.

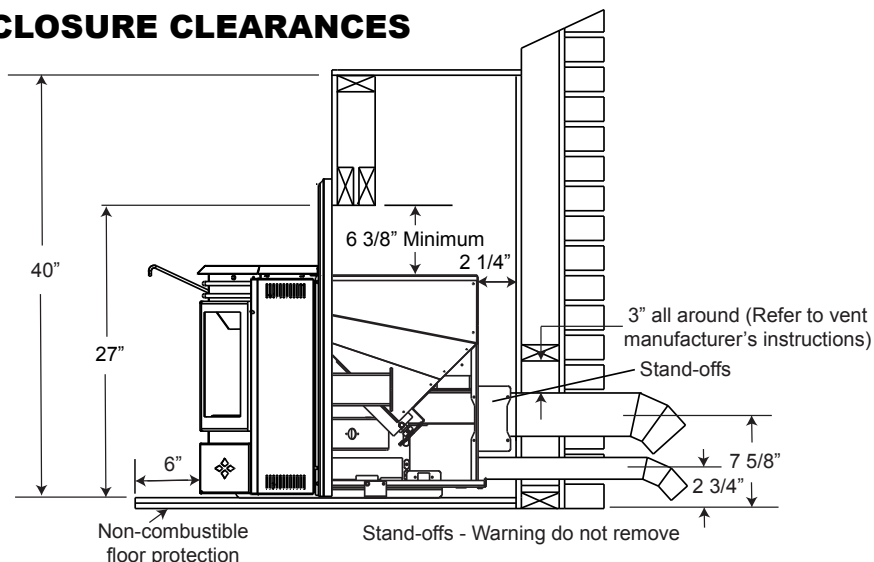


For temperature requirements, the enclosure space around and above the fireplace must be left unobstructed.



### 6.3.2 MINIMUM ENCLOSURE CLEARANCES

**FIGURE 6.3.2**

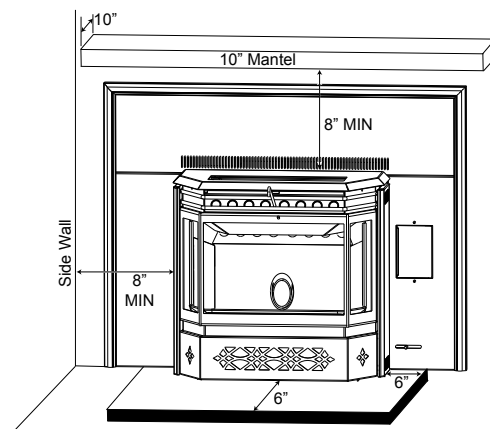


### 6.3.3 MINIMUM CLEARANCE TO COMBUSTIBLES

Side wall to heater	8"
Maximum mantel depth	10"
Mantel to top of heater	8"
Top facing to heater	6 3/8"
Side facing to heater	6"
Floor protection*	6"*

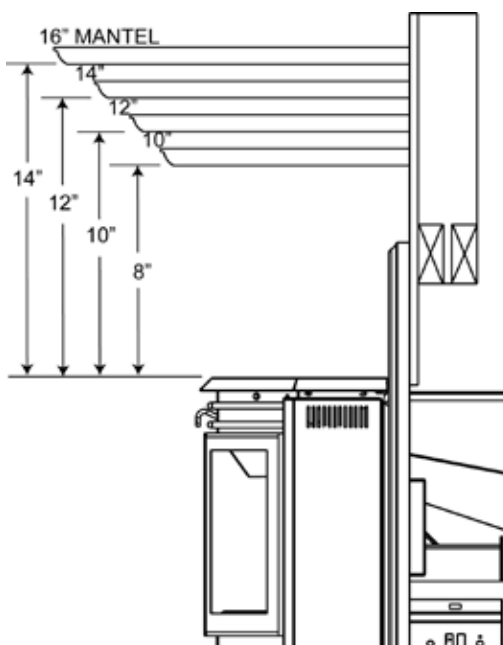
\* Floor Protection: Minimum 6" in front of door and to either side.

**FIGURE 6.3.3**



### 6.3.4 MINIMUM MANTEL CLEARANCES

**FIGURE 6.3.4**



## 6.4 HORIZONTAL VENT INSTALLATION

- 6.4.1 If you plan on connecting outside air it is recommended to do so at this time.
- 6.4.2 A hole must be made in the back of the fireplace to accommodate the pellet vent. Connect the pellet vent to the back of the stove and position in place. Refer to manufacturer's installation instructions and see "GENERAL VENTING" section.
- 6.4.3 Connect the vent cap to vent.

## 6.5 VERTICAL LINER INSTALLATION

- 6.5.1 If you plan on connecting outside air it is recommend to do so at this time.
- 6.5.2 Remove the fireplace damper or fasten it permanently open.
- 6.5.3 Measure the throat of the fireplace and mark this shape on a piece of 24 gauge sheet metal (flue cover). Cut a hole sized for the pellet liner to lie directly below the fireplace flue opening. Allow two inches of material for a flange on all sides and cut to these measurements. Bend down the flanges. If you have never done this before, it might be a good idea to make a cardboard pattern and test it first. Fasten this flue cover in position as high as possible with two masonry screws per side through the flanges into the fireplace.
- 6.5.4 Convert the exhaust tube to a vertical application. See "REAR TO TOP VENT CONVERSION INSTRUCTIONS" section.
- 6.5.5 Run a liner down the chimney and connect to the exhaust tube. Refer to manufacturer's installation instructions and see the "GENERAL VENTING" section.
- 6.5.6 Position the insert in it's final location.
- 6.5.7 Pull the excess length of liner out through the top of the chimney. Trim the excess length and cap the vent.

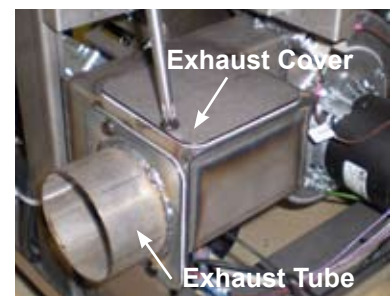
## 6.6 REAR TO TOP VENT CONVERSION INSTRUCTIONS

**NOTE:** The insert is factory shipped in a rear vent configuration. Be careful not to damage the gasket.

**If installing 4" diameter vent vertically, it will be necessary to start with a 12" section of 3" diameter vent to clear the hopper, then increase to 4" diameter vent.**

- 6.6.1 To vent exit vertically, remove the two screws holding the exhaust cover.
- 6.6.2 Remove the two screws holding the exhaust tube
- 6.6.3 Attach the exhaust tube and gasket in the vertical position.
- 6.6.4 Attach the exhaust cover and gasket over the horizontal exit.

**FIGURE 6.6**



## 7.0 INSERT FINISHING

### 7.1 FLASHING INSTALLATION

7.1.1 Secure the Right Flashing to the right side of the heater using two of the #8 x 1/2" screws.

**NOTE:** Feed the Air Control Rod into the Air Control Slot on the Right Flashing before securing.

7.1.2 Twist spring handle (supplied with the heater) onto the air control rod until it hits the stop.

7.1.3 Remove the two control panel securing screws, discard the screws and shipping bracket.

7.1.4 Secure the control panel to the right Flashing using the two #8 x 3/8" screws. Secure the Left Flashing with the remaining #8 x 1/2" screws.

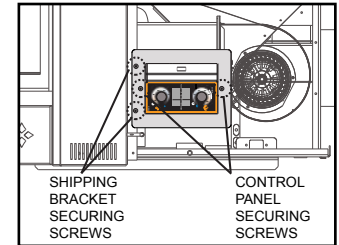
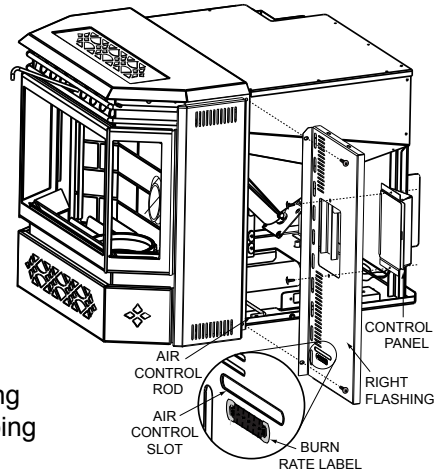
7.1.5 Align the holes in the top of the right and left Flashing with those on the bottom lip of the Top Flashing and secure from the rear using the four #8-32 x 3/8" screws, washers and nuts.

7.1.6 The three pieces of trim are assembled in the same manner as a picture frame. Place the corner brackets (with screw loosened) into the trim sections. Tighten the screw spreading the two pieces apart. Attach the adjoining section. Repeat with the opposite side. Tighten all screws firmly.

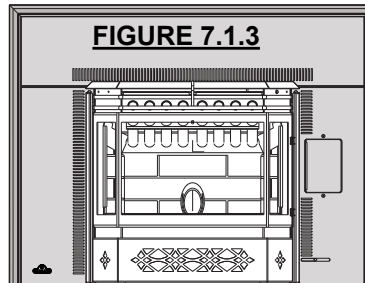
7.1.7 Slide the assembled trim down over the flashing.

7.1.8 Affix the logo to the bottom left hand corner of the left flashing.

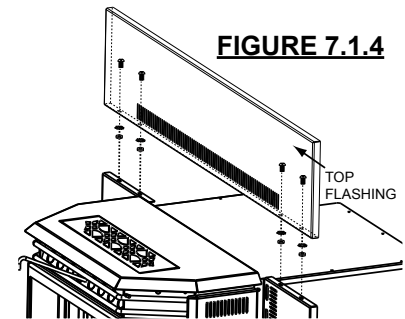
**FIGURE 7.1.1**



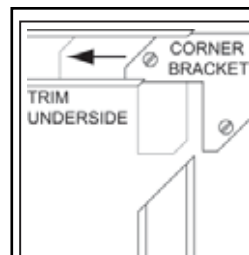
**FIGURE 7.1.2**



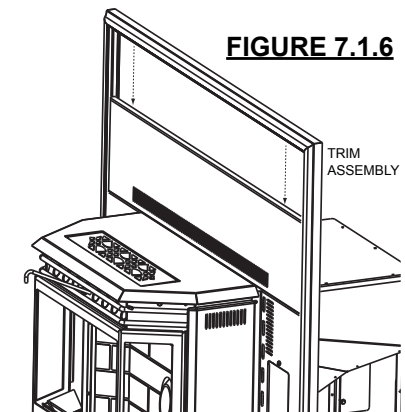
**FIGURE 7.1.3**



**FIGURE 7.1.4**



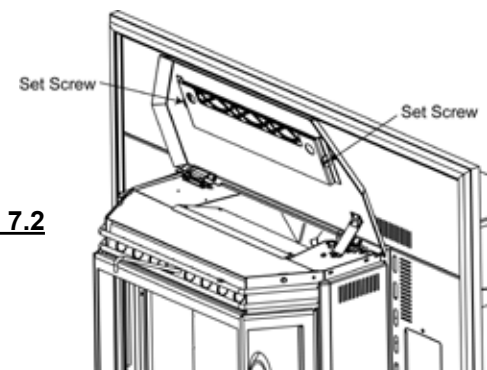
**FIGURE 7.1.5**



**FIGURE 7.1.6**

### 7.2 TRIVET INSTALLATION

The trivet for the NPI40 is attached by two set screws on the inside of the hopper lid.



**FIGURE 7.2**

## 7.3 INSTALLING VIEWING DOOR

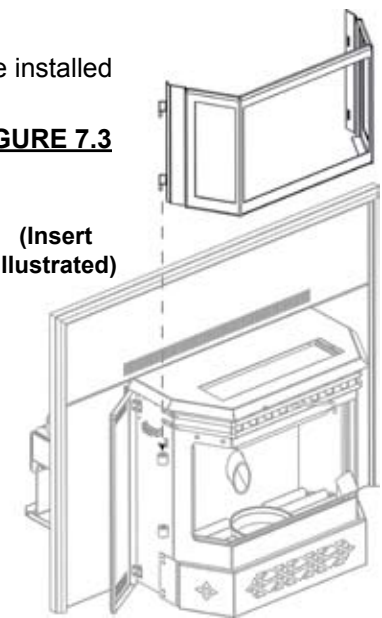
The main viewing door has been boxed separate from the heater, but **MUST** be installed before burning the heater.

**7.3.1** Open both side panels, exposing the bushing on the left and the latches on the right.

**7.3.2** Align the pins on the door to the bushing on the left side of the heater. Lower into place until both bushings touch.

**7.3.3** Engage the latch hooks into the door frame. Snap the rear handle hook to lock the latch closed.

**FIGURE 7.3**



## 8.0 OPERATING INSTRUCTIONS

### 8.1 PROPER PELLETT LOADING

Before loading pellets into the hopper first transfer the pellets from it's original plastic bag to a metal bucket. Keep in mind that the auger stops when the lid is opened. If the lid is opened for several minutes, the fire may extinguish.

**NOTE:** If the pellets are kept in the plastic bag, the bag may come in contact with the heater causing the bag to melt and the pellets to spill.

**DO NOT** load pellets into the hopper if they have been exposed to moisture. Moisture can cause pellets to swell and cause blockage in the feed system. Thoroughly dry pellets before placing into hopper.

### 8.2 LIGHTING HEATER MANUALLY

#### **! WARNING**

Heater may be hot.

**Other than placing a handful of pellets in the burn pot for lighting manually, never feed pellets through the glass viewing door. An "OVERFIRE" condition could occur, if more pellets enter the firebox than what the feed tube can deliver. Pellets must only be burned within the burn pot.**

Your heater can be lit manually without using the automatic igniter by following the procedure below.

**8.2.1** Press the ON / OFF button.

**8.2.2** Place a "handful" of pellets into the burn pot.

**8.2.3** Cover with a small amount of approved (non-volatile) fire starter gel.

**8.2.4** Light fire starter with a match and close the viewing door.

## 8.3 LIGHTING INSTRUCTIONS

### ! WARNING

**Never use gasoline, lantern fuel, lighter fluid to start or "freshen-up" a fire in this heater. Keep all such fluids away from heater when in use.**

Due to different installation set ups, length and size of venting and fuel quality, the low feed setting from the factory will not always be correct. It may be necessary to experiment with feed rate vs air control. (For example, #2 may be your lowest setting).

Always operate this heater with the door closed.

If this is the first time the heater has started or the heater has run out of pellets, the auger will need to be purged.

Press "START" switch, turn the pellet feed dial to high to fill the auger full of pellets and pull the air control rod all the way out allowing air flow into the fire. If the heater does not reach the required temperature and turns off after 15 minutes, press the start switch again. This time turn the pellet feed dial to low, to prevent over filling the burn pot and continue with the start-up instructions below.

### START-UP

### ! WARNING

**Heater may be hot.**

**It is not recommended to burn the unit on low or high. the most efficient setting is 4 (optimum).**

8.3.1 Press "START" switch

8.3.2 Rotate the Pellet feed dial rate to optimum.

8.3.3 Adjust the air control rod to the preferred setting (this position will vary depending on venting configuration and fuel quality).

8.3.4 If the heater stops running after approximately 15 minutes, press "START" switch again.

If no ignition is apparent and pellets are building up in the burn pot, remove pellets from the burn pot before restarting.

#### Pellet Feed Dial

This switch controls the amount of heat output. The switch has a scale (dial) from 1 through 5. At setting 5 the pellet feed rate is the greatest.

#### Blower Speed Dial

By adjusting the Blower Speed dial you will vary the rate of airflow into the room by varying the speed of the convection blower. When you first start the heater, it should be placed in the "OFF" position in order to heat up the unit as quickly as possible. Once the room has come up to temperature, the control may be set to a comfortable level. NOTE: The convection blower may cycle to high automatically depending on the setting of the pellet feed rate and the Blower Speed. This is a normal safety feature of the unit. Once the heater has cooled down the blower will return to the set speed.

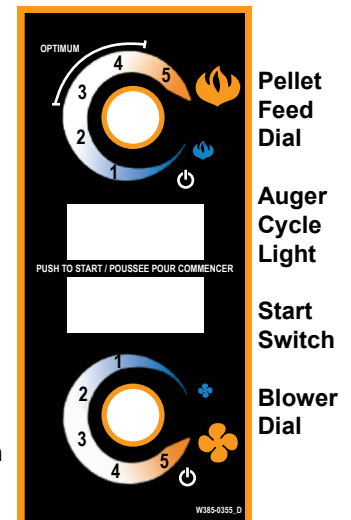
**NOTE:** The flashing amber light corresponds to the auger motor feeding the pellets. Wood pellets of different quality may affect the performance of the heater. If the heater has trouble operating at the ends of it's range, adjust the feed rate accordingly.

### SHUT-DOWN

To turn your heater off, simply turn the feed dial counter-clockwise until the dial clicks to the "OFF" position. This will stop the feed of pellets. The blowers will continue to run to cool the heater. When cool enough, the heater will shut down.

**DO NOT unplug unit while combustion blower is operating. This may lead to smoke escaping from the heater into the room.**

**FIGURE 8.3**



## 9.0 GENERAL MAINTENANCE

### 9.1 DAILY (WHENEVER USING THE HEATER)

#### 9.1.1 OPEN MAIN VIEWING DOOR

### ! WARNING

The front of the heater becomes very hot during operation. Let the heater cool completely before conducting service.

- A. Open the side doors on either side of the heater.
- B. On the right side of the heater are two latches. Release the latches by pulling the rear handle forward and disengaging the hook from the door frame. Swing open the viewing door.

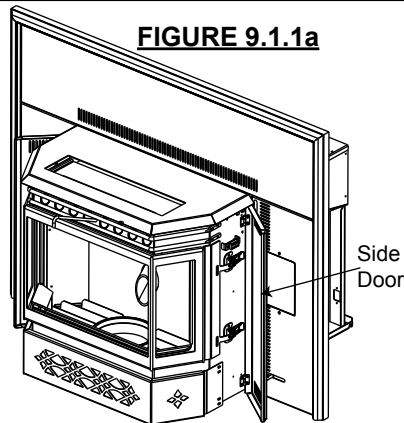


FIGURE 9.1.1a

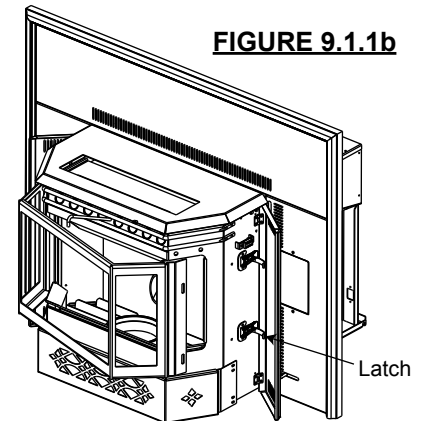


FIGURE 9.1.1b

#### 9.1.2 DISPOSAL OF ASHES

Ashes should be placed in a metal container with a tight fitting lid. The container should be placed on a non-combustible floor, well away from combustible materials, pending final disposal. If ashes are disposed of by burial in soil or otherwise locally dispersed, they should be retained in the closed container until all cinders are thoroughly cooled.

#### 9.1.3 INSPECT THE BURN POT

When burning, the flames should be bright orange with embers jumping from the burn pot. If not see "MAKE SURE PELLETS ARE NOT PILING UP" or "CLEANING THE BURNPOT" sections.

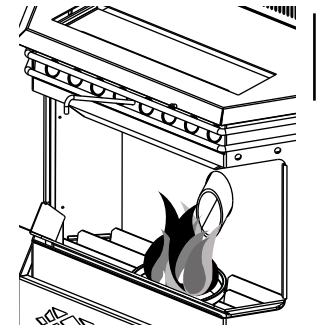


FIGURE 9.1.3

#### 9.1.4 CARE OF GLASS AND PLATED PARTS

**DO NOT CLEAN GLASS WHEN HOT! DO NOT USE ABRASIVE CLEANERS TO CLEAN GLASS OR PLATED PARTS.**

Buff lightly with a clean dry soft cloth. Clean the glass after the first 10 hours of operation with a recommended fireplace glass cleaner.

Thereafter clean as required. If the glass is not kept clean permanent discoloration and / or blemishes may result.

Refer to "REPLACEMENT PARTS" to find out what this product is equipped with and the thickness of the glass.

Use only replacement glass available from your Authorized dealer.

**DO NOT SUBSTITUTE MATERIALS.**

If the appliance is equipped with plated parts, you must clean fingerprints or other marks from the plated surfaces before operating the appliance for the first time. Use a glass cleaner or vinegar and towel to clean. If not cleaned properly before operating for the first time, the marks can cause permanent blemishes on the plating. After the plating is cured, the fingerprints and oils will not affect the finish and little maintenance is required, just wipe clean as needed.

### ! WARNING



**HOT GLASS WILL CAUSE BURNS.  
DO NOT TOUCH GLASS UNTIL COOLED.  
NEVER ALLOW CHILDREN TO TOUCH GLASS.**

### 9.1.5 CLEANING THE HEAT EXCHANGER TUBES

#### ! WARNING

The front edge of the hopper lid becomes very hot, do not touch the area below the handle.

This rod becomes very hot during operation. Wait till heater has cooled completely or you must wear heat resistant gloves when cleaning or handling this heater.

With the heater cool (or wearing heat resistant gloves), slide the heat exchange cleaner rod up and down several times to prevent the build up of ash on the heat exchange tubes.

Keep the viewing door closed so the fly ash does not enter the room.

**NOTE:** More frequent cleaning may be required depending upon pellet quality.

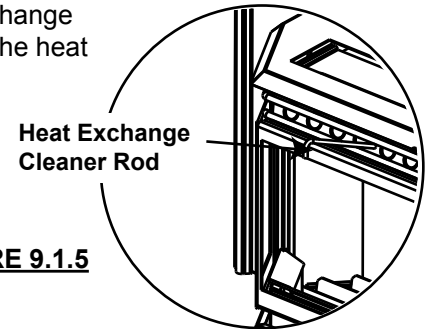


FIGURE 9.1.5

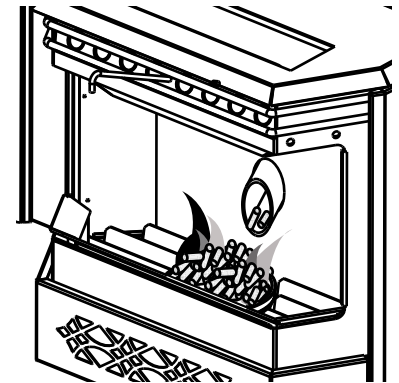
### 9.1.6 MAKE SURE PELLETS ARE NOT PILING UP

If the pellets build up over the burn pot, turn the pellet feed switch to "OFF". If the flames seem to be coming only from the sides, or are orange/black, turn the heater off and check for build up of pellets.

**The most likely causes are:**

- A. Feed rate has been set to maximum for an extended period of time.  
Turn feed rate to optimum.
- B. The door, glass, or ash pan is open or has an air leak.
- C. The burn pot requires cleaning.
- D. The exhaust system requires cleaning.
- E. The heater requires adjustment.
- F. Poor pellet quality

FIGURE 9.1.6



### 9.1.7 CLEANING THE BURN POT

#### ! WARNING

Make certain the heater has fully cooled (approximately 25 minutes) before opening the door and conducting service.

To clean the burn pot, open the door and knock away any debris on the burn pot. If severely clogged, remove the burn pot to gain better access. If removing the burn pot set aside on a non-combustible surface. Once removed, discard all material that has accumulated in the burn pot.

Make certain that all openings are clear of any build up of ash from the ledge below the burn pot.

Re-install the burn pot ensuring it sits level in the heater. Also must ensure the ignitor and the burn pot locating notch line up when reinstalling the burn pot.

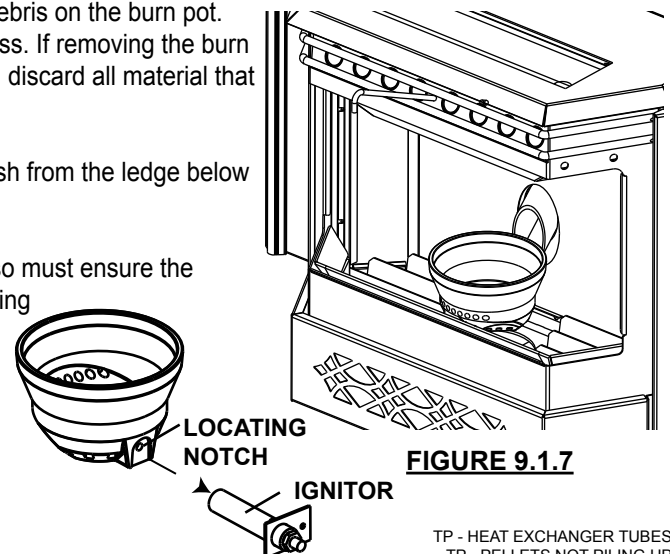


FIGURE 9.1.7

TP - HEAT EXCHANGER TUBES  
TP - PELLETS NOT PILING UP  
TP - CLEANING BURN POT

## 9.2 BI-WEEKLY (OR EVERY 10 BAGS OF PELLETS)

### 9.2.1 VACUUM FIREBOX

#### ⚠ WARNING

The firebox becomes very hot during operation. Let the heater cool completely before conducting service.

The more frequently you clean out the fly ash, the more efficient your heater will burn.

A. Open the viewing door. See "OPEN MAIN VIEWING DOOR" section.

B. Lift the burn pot out and set aside on a non-combustible surface. Remove the right and left louvres by lifting the louvres up and out of the firebox setting them on a non-combustible surface.

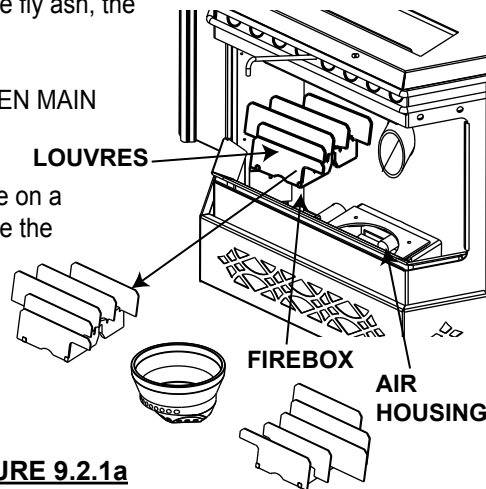


FIGURE 9.2.1a

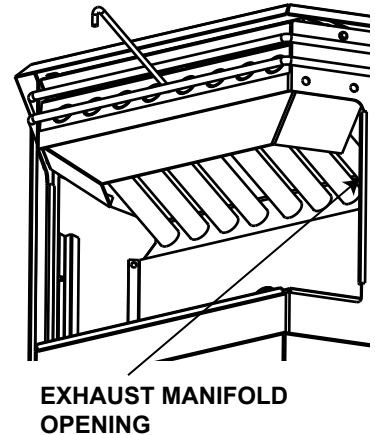


FIGURE 9.2.1b

## 9.3 SEMI-ANNUALLY (OR EVERY TWO TONS OF PELLET)

#### ⚠ WARNING

The firebox becomes very hot during operation. Let the heater cool completely before conducting service.

Disconnect the power cord prior to conducting service.

The following section details extensive maintenance procedures. We strongly suggest these items be carried out by a trained service technician, possibly by a service agreement set up with your dealer.

**NOTE:** More frequent cleaning may be required depending on pellet quality.

### 9.3.1 VACUUM HOPPER

#### NPS40:

Run the heater until the pellets run out, then open the hopper and vacuum out the entire hopper. The dust and any other debris near the bottom should be removed to prevent excessive build-up.

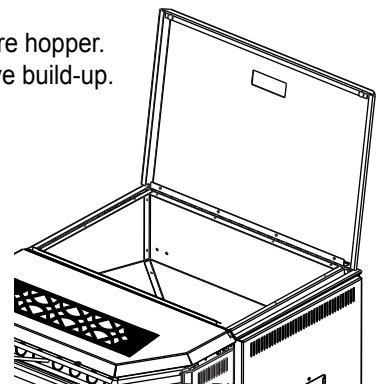


FIGURE 9.3.1



### 9.3.2 SOOT AND FLY ASH FORMATION

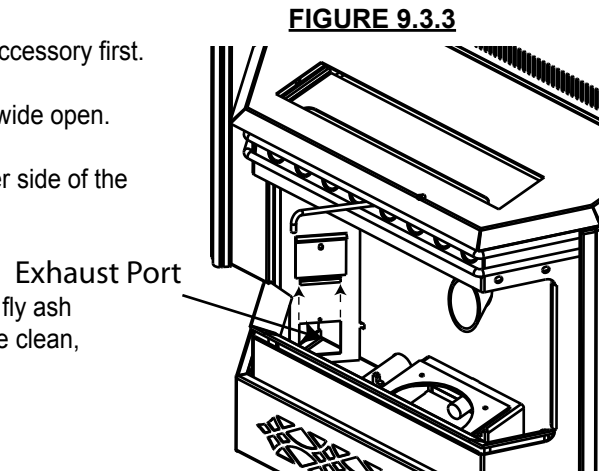
The products of combustion will contain small particles of fly ash. The fly ash will collect in the exhaust venting system and restrict the flow of the flue gases. Incomplete combustion occurs during startup, shutdown, or incorrect operation of the room heater will lead to some soot formation which will collect in the exhaust venting system. The exhaust venting system should be inspected at least once every year to determine if cleaning is necessary.

### 9.3.3 CLEAN THE VERTICAL EXHAUST DUCT

If the PRPP40 or the brick kit NP841KT is in place, remove that accessory first.

- A. Open side door, release the latch and pivot the viewing door wide open.
- B. Remove the one screw on each exhaust port located on either side of the fire box. Remove the exhaust port doors and set aside on a non-combustible surface.

Insert a vacuum into the exhaust port holes and remove as much fly ash as possible from behind the left and right exhaust manifolds. Once clean, replace the exhaust port doors and secure with the screws.



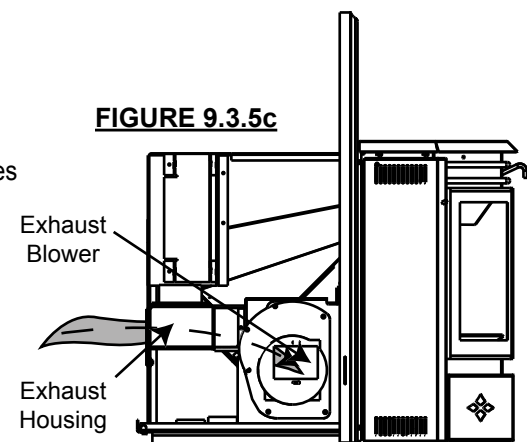
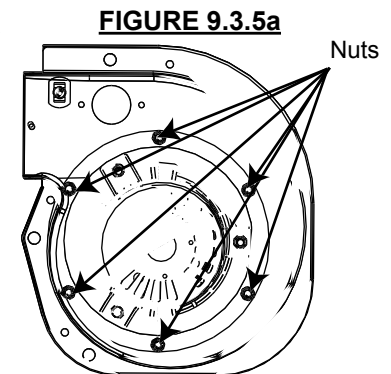
### 9.3.4 CLEAN EXHAUST HOUSING (INSERT ONLY)

To clean the exhaust blower and exhaust housing, the heater must be pulled out from the fireplace cavity. Remove the venting from the exhaust collar. If installed as a top vent, remove cover plate from the rear of the housing. If installed as a rear vent, remove the cover plate from the top of the housing. Vacuum out the housing back to blower outlet.

### 9.3.5 CLEAN THE EXHAUST BLOWER

**NOTE:** Do not attempt this maintenance without a replacement exhaust blower motor mounting gasket.

- A. Remove the six nuts holding the exhaust blower motor in place.
- B. Pull the motor out being careful not to damage the wiring, unplug the two wires that are connecting the motor and gently set aside. (The pieces of gasket may be discarded.)
- C. Start by cleaning the exhaust tube by feeding a brush or rag through the inside of the tube and out the exhaust blower housing.
- D. Vacuum out the exhaust ports and the blower housing.
- E. With a bristle brush vacuum, clean the blades of the motor.
- F. Place the new exhaust blower mounting gasket around the screw holes being very careful not to tear it.
- G. Re-attach the wiring to the motor and place it back on to the housing, taking care that the side of the motor does not tear the gasket and then re-attach the nuts.



TP - SOOT AND FLY ASH\_PELLET  
 TP - VERTICAL EXHAUST DUCT\_PELLET  
 TP - EXHAUST BLOWER\_PELLET

### 9.3.6 CHECK ALL SEALS

Check for air leaks around the door, glass, and ash pan and replace gaskets as required.

Air leaks into the firebox will decrease the heater's performance greatly, leading to excessive soot, inefficient burning, and may even cause a malfunction.

Test the door seal by shutting the door on a piece of paper in various locations. If the paper can be easily slid out, air may be leaking around the door seal. Carefully inspect the door gasket and door catch.

Inspect the door gasket to make sure it is fully attached. Heater gasket cement can be used to re-attach if necessary. If the door gasket is worn or flattened, replace.

Check the door to make sure it latches correctly. The latch should engage with a slight amount of resistance, yet not be too difficult.

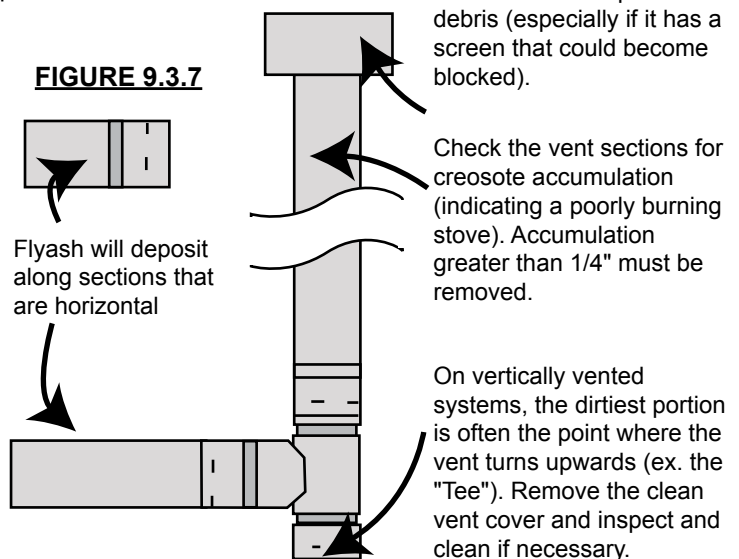
If the glass is cracked, replace.

### 9.3.7 CLEAN THE VENT

#### ! WARNING

Whenever any portion of the pellet vent is disconnected, the joints must be re-sealed with RTV 500°F silicone sealant.

Vent system should be cleaned using chimney sweep brushes. We recommend this be done by a qualified chimney sweep.



### 9.4 IN THE EVENT OF A JAMMED AUGER

#### ! WARNING

Disconnect the power cord prior to conducting service.

Occasionally damp fuel or foreign objects could get jammed in the auger screw. When this occurs it will be necessary to empty the hopper and/or remove the screw from the hopper assembly.

Start by emptying the pellets from the hopper. Sometimes the object causing the screw not to turn will be visible once the hopper has been emptied. If it is necessary to remove the screw start by removing both of the side panels and the rear panel. Locate the auger motor, remove the set screw that secures the motor to the auger screw. Remove the two hex bolts from the auger housing which will allow the auger screw to slide out. After you have removed the shaft, inspect it for bent flights, burrs, or broken welds. Remove any foreign material that might have caused the jam. Also, check the auger tube for signs of damage such as burrs, rough spots, or grooves cut into the metal that could have caused a jam.

## 10.0 NORMAL OPERATING SOUNDS

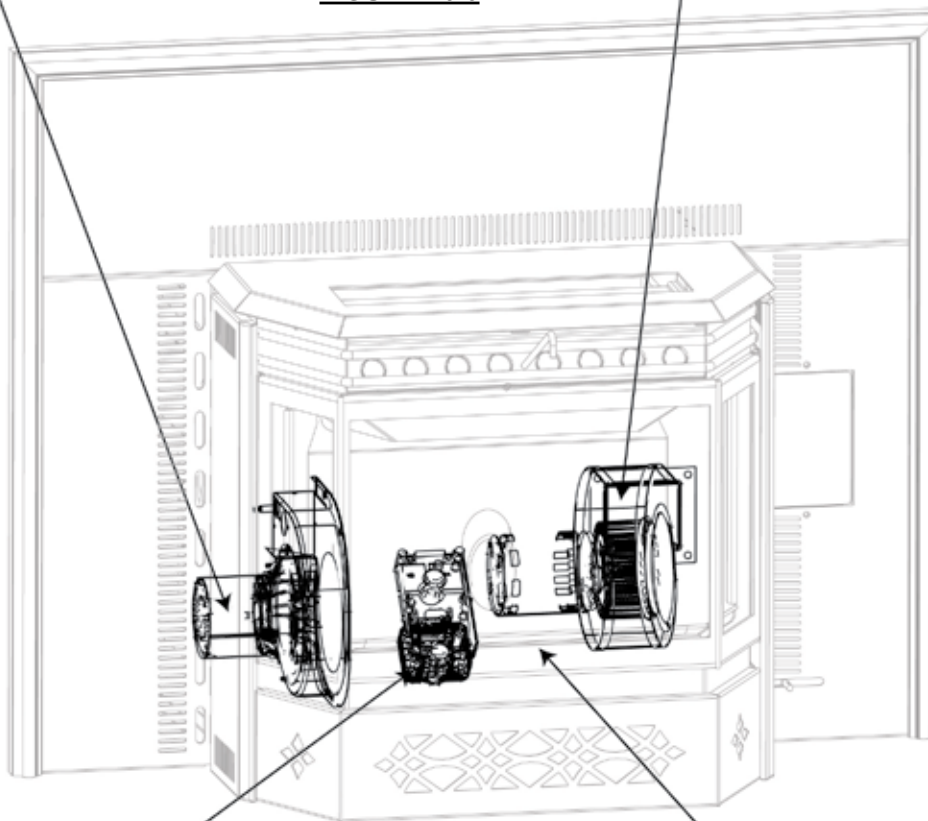
### Exhaust Blower

The flow of exhaust gases may create a low-pitched hum. As the pellet feed rate is altered this sound will change.

### Convection Blower

A low hum might be heard due to the high efficiency fan, especially on high. As the fan dial is turned this noise will change.

**FIGURE 10.0**



### Auger Motor

An irregular buzz of the motor running might be heard when pellets are being fed.

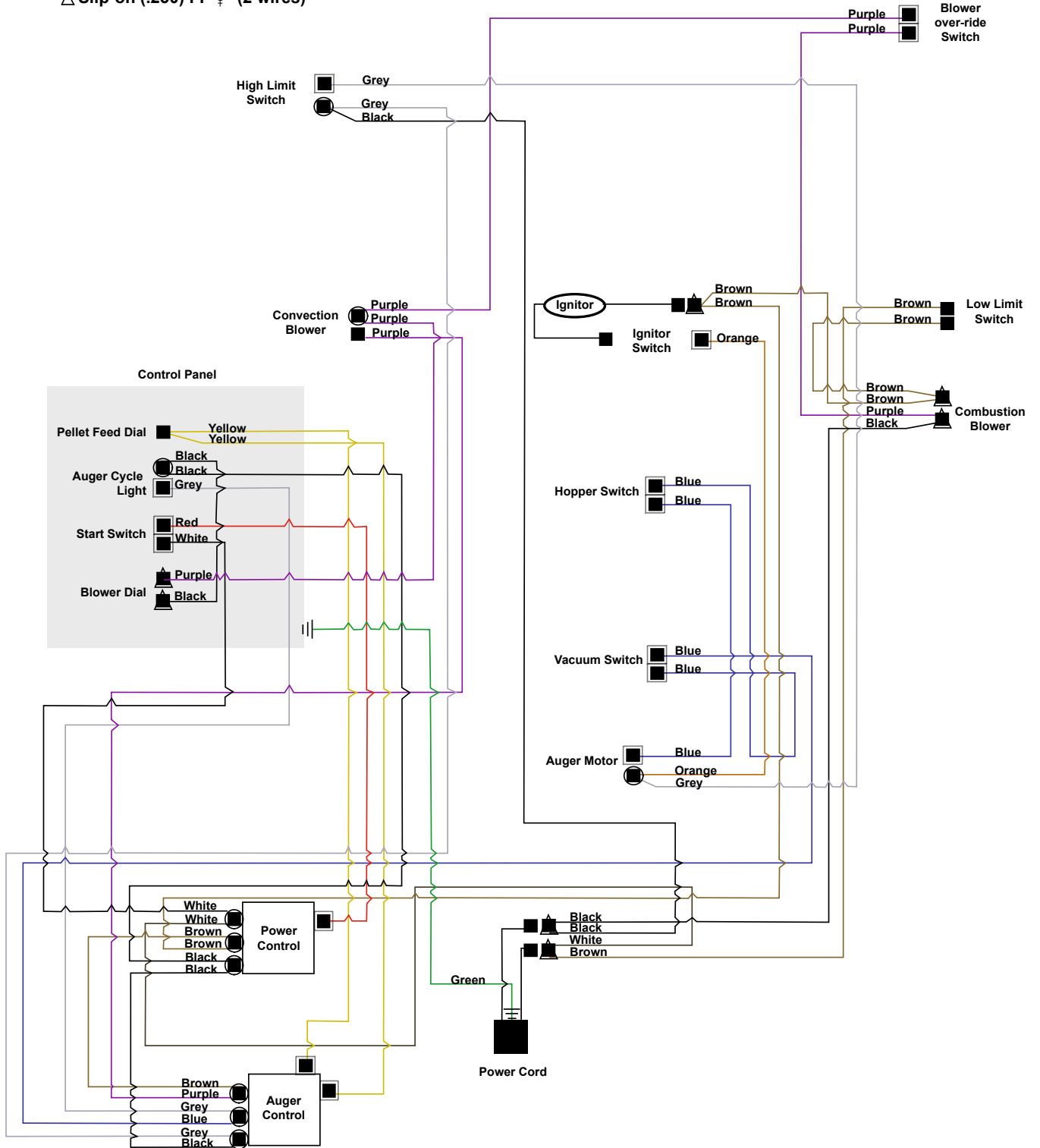
### Burn Pot

A light clicking sound might be heard as the pellets are fed into the burn pot.

# 11.0 WIRING DIAGRAM

FIGURE 11.0

- Slip-on (.250) FI ♂ (1 wire)
- Slip-on (.250) FI ♂ (2 wires)
- △ Slip-on (.250) FI ♀ (2 wires)



## 12.0 REPLACEMENTS

Contact your dealer or the factory for questions concerning prices and policies on replacement parts. Normally all parts can be ordered through your Authorized dealer / distributor.

**FOR WARRANTY REPLACEMENT PARTS, A PHOTOCOPY OF THE ORIGINAL INVOICE WILL BE REQUIRED TO HONOUR THE CLAIM.**

When ordering replacement parts always give the following information:

- Model & Serial Number of fireplace
- Installation date of fireplace
- Part number
- Description of part
- Finish

**\* IDENTIFIES ITEMS WHICH ARE NOT ILLUSTRATED. FOR FURTHER INFORMATION, CONTACT YOUR AUTHORIZED DEALER.**

### **WARNING**

Failure to position the parts in accordance with this manual or failure to use only parts specifically approved with this appliance may result in property damage or personal injury.

### COMMON COMPONENTS TO BOTH HEATERS

REF	PART NO.	DESCRIPTION
1	W660-0052	LOW LIMIT SWITCH 140°F (80°C)
2	W660-0053	OVER-RIDE SWITCH 160°F (71°C)
3	W660-0054	IGNITION SWITCH 120°F (60°C)
4	W660-0055	HIGH LIMIT SWITCH 200°F (93°C)
5	W660-0056	VACUUM SWITCH
6	W380-0020	CONTROL KNOB
7*	W195-0004	POWER CORD
8	W435-0009	AUGER MOTOR
9	W062-0021	CONVECTION BLOWER
10	W062-0022	COMBUSTION BLOWER
11	W290-0111	COMBUSTION BLOWER MOUNTING GASKET
12	W290-0120	COMBUSTION BLOWER MOTOR MOUNTING GASKET
13	W290-0113	CONVECTION BLOWER GASKET
14*	W255-0020	PRESSURE FITTING TAP
15	W570-0107	AUGER SCREW
16	W390-0002	DOOR LATCH
17	W190-0019	POWER CONTROL
18	W190-0020	AUGER CONTROL
19	W405-0001	AMBER LIGHT
20	W660-0058	POWER SWITCH
21	W660-0063	PELLET FEED SWITCH
22	W660-0062	VARIABLE SPEED W/O PAL NUT SWITCH
23	W555-0061	SCRAPER ROD
24	W105-0012	NYLON BUSHING
25	W570-0110	SCREW SET
26*	W750-0215	HARNES WIRE
27*	W385-0334	NAPOLEON® LOGO
28	W010-1528	CONTROL DOOR
29	W475-0555	BOTTOM OI PANEL
30	W720-0089	IGNITOR HOUSING
31	W390-0012	CONTROL PANEL LATCH
32	W010-1490	EXHAUST TUBE
33	W357-0004	IGNITOR
34*	W325-0042	SMALL BLACK WIRE HANDLE

**COMMON COMPONENTS TO BOTH HEATERS**

REF	PART NO.	DESCRIPTION
35	W350-0361	CONTROL HOUSING
36	W615-0073	AIR CONTROL SPACER
37	W080-0932	MOTOR BRACKET
38	W010-1491	COMBUSTION AIR TUBE ASSEMBLY
39	W030-0022	ACCENT BAR (2)
40	W135-0320	CAST, BURN POT
41	W430-0002	MAGNETIC DOOR CATCH ASSEMBLY (2)
42*	W290-0120	MOTOR MOUNTING GASKET
43	W290-0119	IGNITION GASKET
44	W460-0004	RECEPTACLE
45*	W615-0078	SPACER, LATCH
46	W300-0038	GLASS, FRONT
47	W300-0037	GLASS, SIDE
48*	W562-0022	GLASS GASKET
49	W290-0122	EXHAUST GASKET
50	W010-1612	EXHAUST COLLAR
51	W010-0219	EXHAUST COVER
52	W290-0122	EXHAUST GASKET
53	W010-1673	RIGHT LOUVRE ASSEMBLY
54	W010-1685	LEFT LOUVRE ASSEMBLY
55	W010-1567	AIR CONTROL

**NPS40 COMPONENTS**

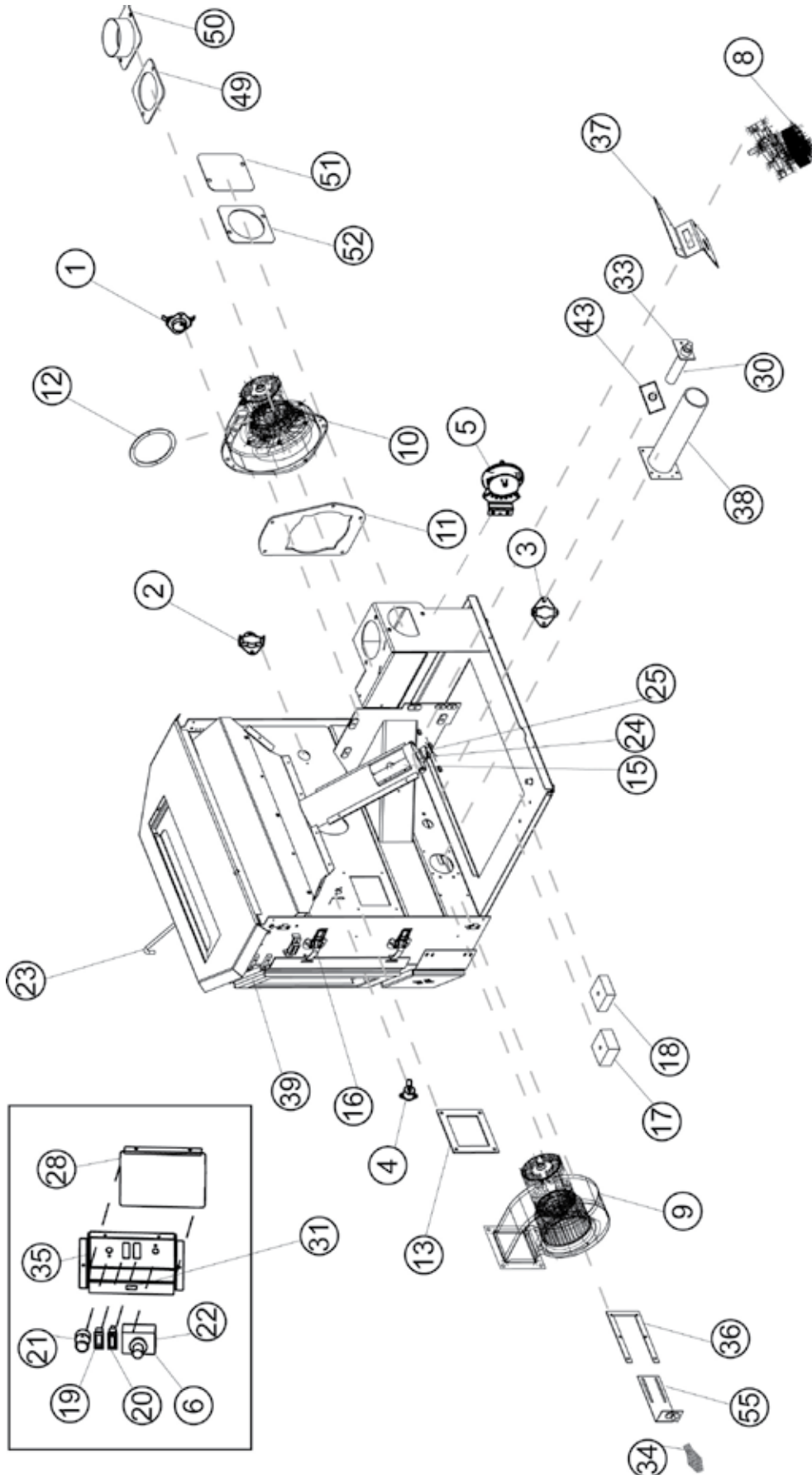
REF	PART NO.	DESCRIPTION
56	W010-1508	WELDED TOP ASSEMBLY
57	W010-1527	SIDE DOOR ASSEMBLY
58	W010-1529	HOPPER DOOR ASSEMBLY
59	W010-1667	ASH PAN ASSEMBLY
60	W010-1668	PEDESTAL SIDE DOOR ASSEMBLY
61	W035-0191	PEDESTAL BASE
62*	W555-0059	AIR CONTROL ROD
63	W475-0482	OUTER REAR PANEL
64	W475-0484	OUTER PANEL, RIGHT
65	W475-0485	OUTER PANEL, LEFT
66	W652-0040	PEDESTAL GASKET
67	W660-0083	SWITCH, HOPPER
68	W750-0216	WIRE, JUMPER (TGGT)

**NPI40 COMPONENTS**

REF	PART NO.	DESCRIPTION
69	W010-1670	SIDE DOOR ASSEMBLY
70	W010-1671	WELDED HOPPER LID ASSEMBLY
71	W555-0069	AIR CONTROL ROD
72	W660-0084	SWITCH, HOPPER
73	W750-0216	WIRE, JUMPER (TGGT)

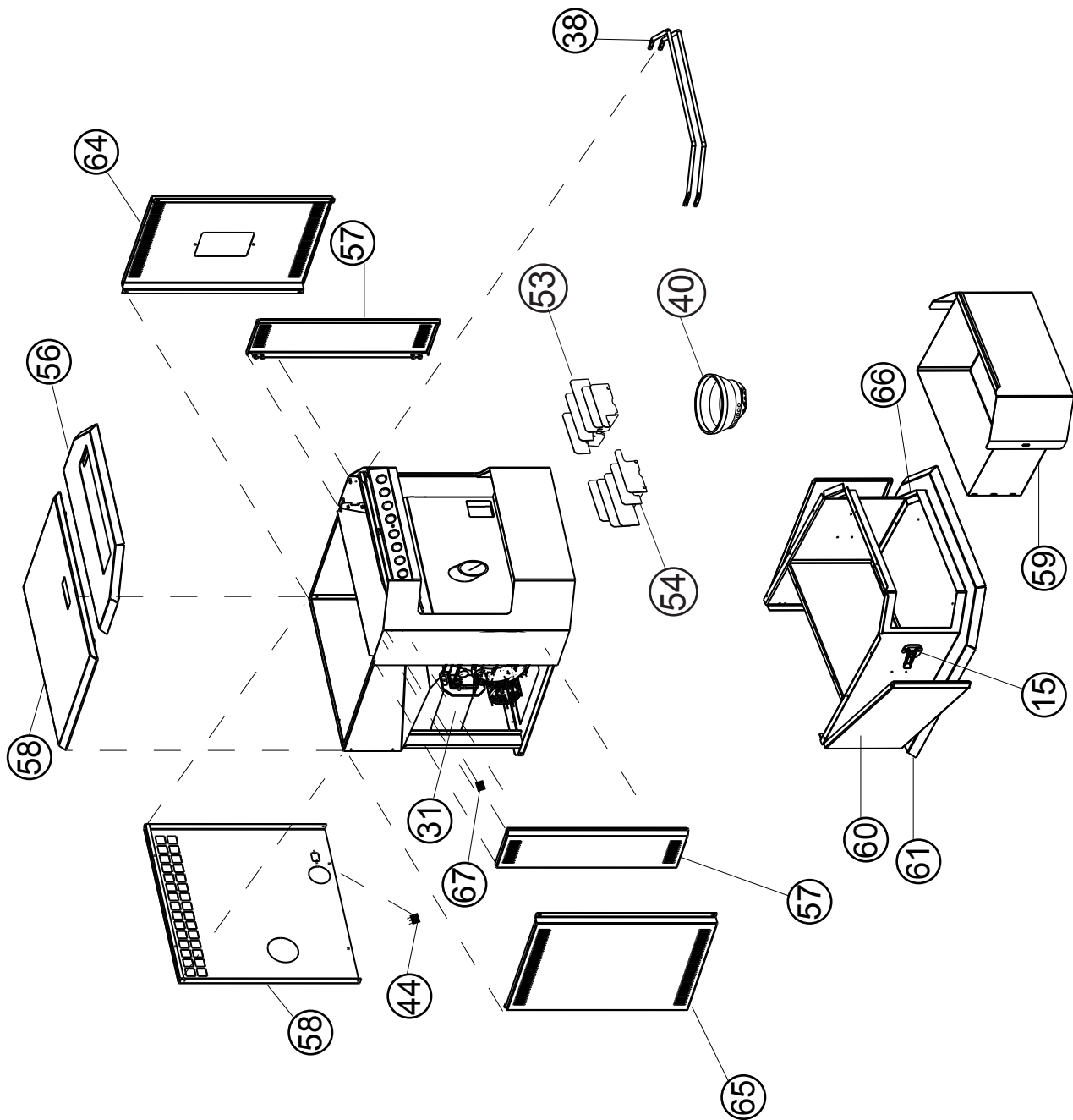
<b>COMMON ACCESSORIES</b>		
<b>REF</b>	<b>PART NO.</b>	<b>DESCRIPTION</b>
74	W225-0195	DOOR FRAME, BLACK
74	W225-0195G	DOOR FRAME, GOLD
74	W225-0195SC	DOOR FRAME, SATIN CHROME
75	GS200-G	TRIVET
75	GS200-SS	TRIVET
76	PRPP40	PORCELAIN REFLECTIVE RADIANT PANELS
77*	114KT	OUTSIDE AIR KIT - 5 FT (2" DIA.)
78	NP841KT	BRICK, REFRACTORY
79	NPL41	DECORATIVE LOG SET
<b>NPS40 ACCESSORIES</b>		
<b>REF</b>	<b>PART NO.</b>	<b>DESCRIPTION</b>
80*	NPHE-40	HOPPER EXTENSION (INCREASES HOPPER CAPACITY FROM 55 LBS TO 100 LBS PELLETS)
<b>NPI40 ACCESSORIES</b>		
<b>REF</b>	<b>PART NO.</b>	<b>DESCRIPTION</b>
81	NI800	8" BLACK FLASHING WITH BLACK TRIM
82*	GICSK	ARCHED CAST IRON SURROUND
83	AK8	ADAPTOR KIT (REQ'D FOR GICSK)
84*	CISK	CAST IRON SURROUND KIT - BLACK
84*	CISKK	CAST IRON SURROUND KIT - ENAMEL BLACK
84*	CISKN	CAST IRON SURROUND KIT - MOJOLICA BROWN
84*	CISKB	CAST IRON SURROUND KIT - MOJOLICA BLUE
84*	CISKF	CAST IRON SURROUND KIT - MOJOLICA GREEN
85*	AK9	ADAPTOR KIT (REQ'D FOR CISK)

12.1 COMMON REPLACEMENT PARTS

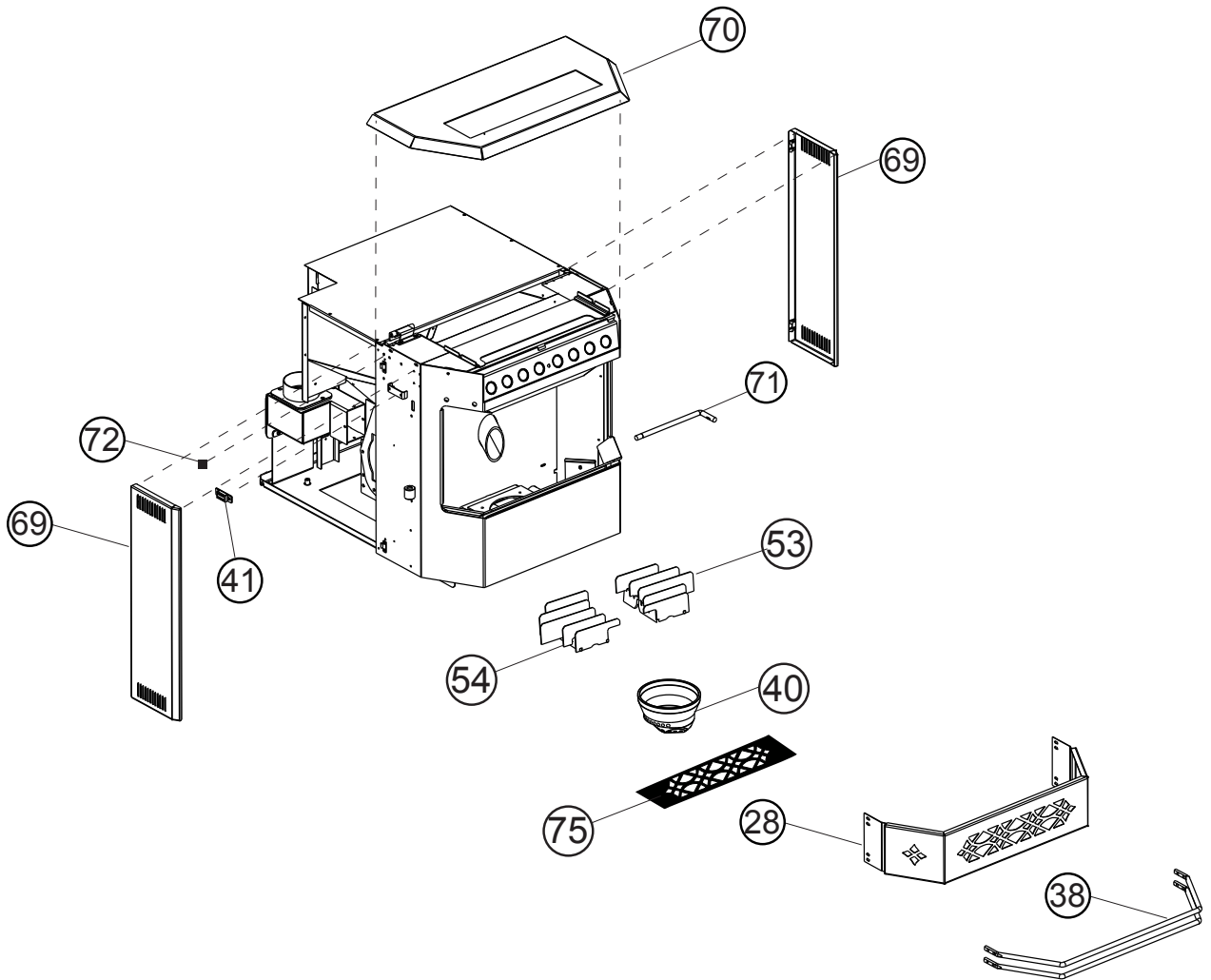




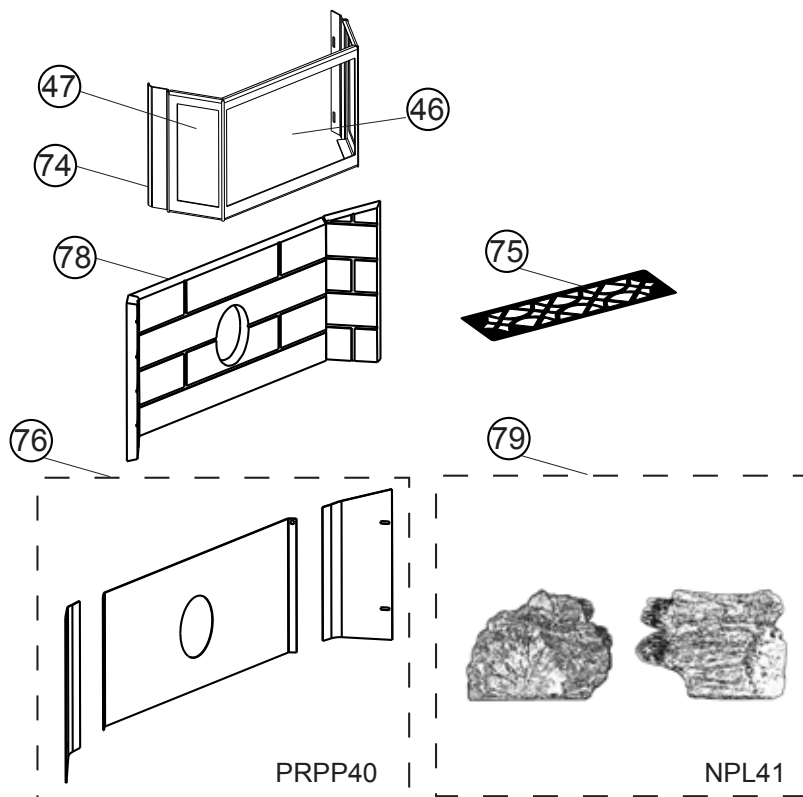
### 12.2 NPS40 REPLACEMENT PARTS



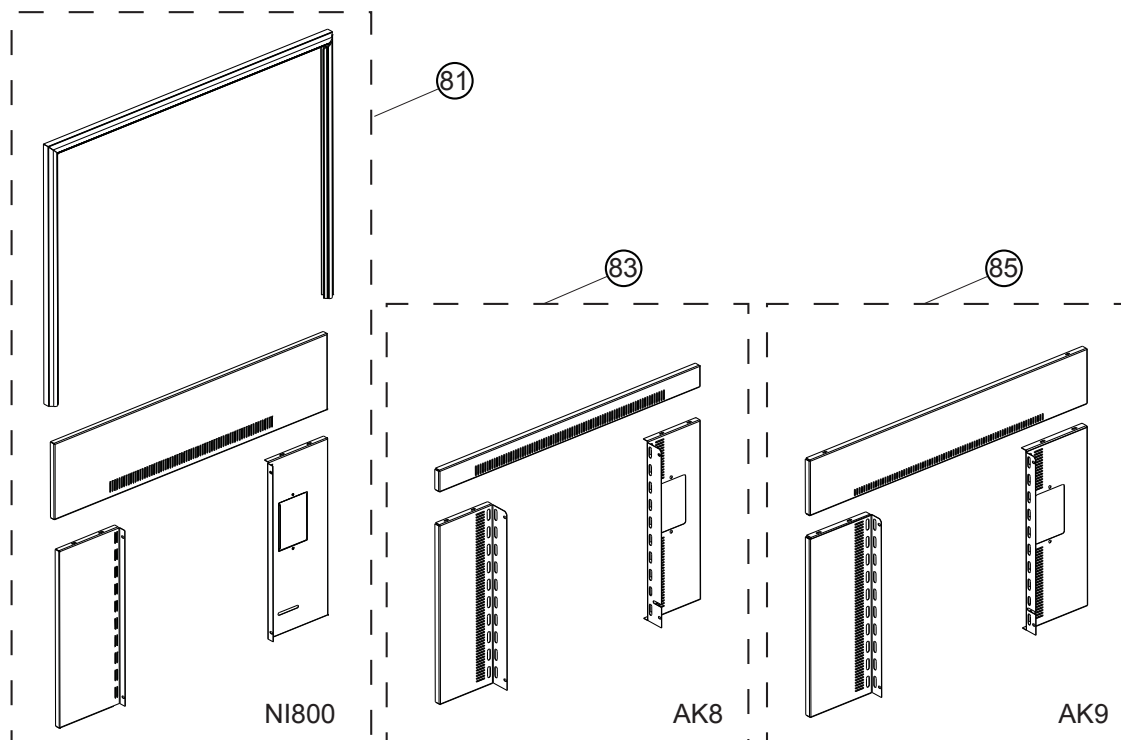
12.3 NPI40 REPLACEMENT PARTS



**12.4 COMMON ACCESSORY PARTS**



**12.5 NPI40 ACCESSORY PARTS**



## 13.0 TROUBLESHOOTING

ALL TROUBLE SHOOTING PROCEDURES SHOULD BE CARRIED OUT BY QUALIFIED TECHNICIANS OR INSTALLERS.

### WARNING

When checking connections, installing jumper wires (for test purposes only) or replacing components, unplug heater from the receptacle to prevent electrical shock or damage to the component.

**NOTE:** Many of the following tests will require that the side panels are removed from the stove or the insert be removed from its cavity to access the components. Before troubleshooting always confirm that all components are clean and free of ash build up.

SYMPTOM	TEST SOLUTION
<p>The heater will not start</p>	<ul style="list-style-type: none"> <li>- Make certain there is power to the outlet and that the heater is plugged in.</li> <li>- <b>Hopper lid must be closed.</b></li> <li>- Push the "START" switch. If the heater fails to start, unplug the unit.</li> <li>- With the heater unplugged, examine all connections. Make sure no exposed wires are touching the heater (except the chassis ground wire) and that they are all firmly connected.</li> <li>- Check the manual reset hi limit switch.</li> <li>- Check the stability and placement of connections against the wiring diagrams in this manual.</li> <li>- Check that the burn pot is positioned properly.</li> <li>- Ensure that connections to the power control module are connected.</li> <li>- Place a jumper wire between the red and white wires that attach to the start switch.</li> <li>- Replace the power control if this fails.</li> <li>- <b>The auger shaft may be jammed. For more information see "IN THE EVENT OF A JAMMED AUGER" section.</b></li> </ul> <p><b>CAUTION:</b> Check the ignitor resistance before installing a new start-up timer as it may result in another failure to the new start-up timer due to a short in the ignitor. The proper resistance through the ignitor should be 30Ω to 50Ω (± 3Ω).</p>
<p>Smoke in the room</p>	<ul style="list-style-type: none"> <li>- Check all gasket seals.- Vent connections all sealed.- Unit has failed to reach 140°F within 15 minutes and the blower has shut off.</li> <li>- Restart unit.</li> </ul> <p><b>NOTE: A minimal amount of smoke is normal during the start up process.</b></p>
<p>The exhaust blower is not operating</p>	<ul style="list-style-type: none"> <li>- Remove the left side access panel and check all connections against the wiring diagram. For the insert - remove from cavity.</li> <li>- Apply 115V AC directly to the exhaust blower and if the motor does not run, replace the blower.</li> <li>- If the motor runs, have a dealer check the wire harness.</li> <li>- See "The heater will not operate when hot" section</li> <li>- Contact your local dealer or a certified technician for service.</li> </ul>
<p>The ignitor will not light the pellets however everything else in the heater operates</p>	<ul style="list-style-type: none"> <li>- Poor quality or damp pellets take longer to light.</li> <li>- Push the burn pot back against the ignitor tube making sure the ignitor lines up to the hole in the burn pot.</li> <li>- Make certain the air control rod is pushed in to start up position.</li> <li>- Check all the electrical connections on the 120°F (49°C) temperature sensor located on the exhaust channel.</li> <li>- Place a jumper wire between the two leads on the 120°F (49°C) temperature sensor and if the ignitor works, replace the sensor.</li> <li>- If it still fails to light, replace the ignitor.</li> </ul>

SYMPTOM	TEST SOLUTION
The auger motor is not functioning normally	<ul style="list-style-type: none"> <li>- Hopper lid must be closed.</li> <li>- Make certain the exhaust blower is operating.</li> <li>- Check the condition of the vacuum hose (located on the left side of the heater). Should not be cracked or torn.</li> <li>- Check the manual reset button on the 200°F (93°C) temperature sensor. Before re-setting the red button, check for the cause of the over-heating.</li> <li>- Check that the auger set screw is tight and not slipping.- If the auger still does not work, then apply 115V AC directly to the auger motor. If it still does not work, replace it.</li> <li>- Check the auger by bypassing the 200°F (93°) temperature sensor with a jumper wire. If auger works, replace the sensor.</li> <li>- <b>The auger shaft may be jammed. For more information see "IN THE EVENT OF A JAMMED AUGER" section.</b></li> <li>- Check the vacuum sensor by placing a jumper wire between the blue wire and the black wire that are attached to the sensor. If the auger works, test to see if the exhaust blower is producing enough vacuum (may require cleaning).</li> <li>- If not, replace the vacuum sensor.</li> </ul>
Feed rate dial has no effect on the fire (timer control only)	<ul style="list-style-type: none"> <li>- Secure all connections to the power control module.</li> <li>- Perform a resistance test to the potentiometer by placing the two test leads from a multi meter into the leads of the potentiometer. The potentiometer should have a range of 850 KΩ (± 10%).</li> </ul> <p style="margin-left: 40px;"><b>Potentiometer readings:</b>  Full counter-clockwise (switched off) = open circuit, overload or infinite resistance  Low fire ..... 900 KΩ to 1,050 KΩ  High fire ..... 56 KΩ to 62 KΩ</p> <p style="margin-left: 40px;">If the range is not close or does not vary then replace the potentiometer.</p>
The convection blower is not functioning normally	<ul style="list-style-type: none"> <li>- Using the wiring diagram, compare all the connections between the controller, switch, and the convection blower.</li> <li>- If the convection motor will not run, apply 115V AC to the motor directly. Replace the blower controller if the motor runs. The convection blower has failed if the motor does not run. Replace the blower.</li> <li>- If the convection blower runs on high at all times (no control with the blower controller), check the connections from the 160°F (71°C) sensor (located on the upper left side on the rear of the fire wall) and convection blower controller to the blower. Disconnect one of the wires from the sensor and if control of the convection blower returns to the blower controller, replace the sensor.</li> <li>- If the motor is still on high, re-connect the sensor and replace the convection blower controller.</li> </ul>
The heater will not operate when hot	<p><b>General</b></p> <ul style="list-style-type: none"> <li>- Check the hopper for fuel.</li> <li>- Incorrect air damper setting may cause excessive air to consume the fire too quickly before the next drop of fuel. Therefore leaving the fuel completely unburned in the burn pot and will cause the fuel to burn cold and very slowly. Fuel also may build up and smother the fire.</li> </ul> <p><b>NOTE: The unit may require a change to the vent system or installation of fresh air to correct air to fuel ratio problems.</b></p> <ul style="list-style-type: none"> <li>- Combustion blower failure may occur because it is not turning fast enough to generate the proper vacuum in the fire box. Do a visual check to see if the motor is turning.</li> <li>- Check vacuum levels in the exhaust channel by bypassing the vacuum switch, then remove the vacuum hose from vacuum switch. When checking the vacuum exhaust place the open end of the vacuum hose on the gauge (readings must be above 0.10" W.C. on low fire).</li> </ul> <p><b>NOTE: if the motor fails to reach a 0.10" W.C., then replace the combustion blower.</b></p> <ul style="list-style-type: none"> <li>- Poor quality fuel may not produce enough heat to keep the stove burning or operational.</li> <li>- If the exhaust temperature sensor fails try bypassing the sensor located on the exhaust blower. If the stove operates properly, the unit may require cleaning or a new sensor. Contact your local deal for service.</li> <li>- Unplug the stove, open the left side panel and jump the two brown leads that are attached to the 140°F (60°C) temperature sensor. If the stove operates replace the 140°F (60°C) sensor.</li> </ul>

SYMPTOM	TEST SOLUTION
The 200°F (93°) high limit temperature sensor has tripped	<ul style="list-style-type: none"> <li>- Reset the sensor and determine whether it was the convection blower or 160°F (71°C) temperature sensor failure. Bypass the 160°F (71°C) sensor. Does the convection blower not come on high? If no then replace the blower.</li> </ul>
The heater will not turn off	<ul style="list-style-type: none"> <li>- Disconnect one of the brown wires from the exhaust temperature sensor and if the unit continues to operate, contact your local dealer for service.</li> <li>- Compare the wiring diagram to the start control module and the connections to the 140°F (60°C) temperature sensor. Check the connections.</li> <li>- Remove one of the brown wires from the 140°F (60°C) temperature sensor. The heater should be shut down right away as long as the start button was not pressed within 15 minutes of this test. If the heater shuts down within 15 minutes, replace the 140°F (60°C) sensor. If the heater does not shut down in 15 minutes, test the switch.</li> <li>- The heater must be cold to test the switch. Pull the plug, then plug the heater back in. If the heater fails to start, replace the switch.</li> </ul>
The heater keeps going out	<ul style="list-style-type: none"> <li>- Due to different installation set ups, length and size of venting and fuel quality, the low feed setting from the factory will not always be correct. It may be necessary to experiment with feed rate vs air control. (For example, #2 may be your lowest setting).</li> <li>- If the heater goes out and leaves fresh unburned pellets or cigarette-like ashes in the burn pot, the fire is going out before the heater shuts off.</li> <li>- Check to see if the air control rod is in the correct position.</li> <li>- Turn the feed rate up slightly (poor quality pellets will require slightly higher settings).</li> <li>- Check to see if the heater needs a more complete cleaning as well as the burn pot, venting, etc...</li> <li>- Was there a power failure?</li> <li>- Contact your local dealer for service</li> <li>- If the heater goes out and there are no pellets in the <b>burn pot, the auger may be slipping</b>.</li> <li>- See "The auger motor will not function normally" and "The exhaust blower will not function normally".</li> </ul>
Excessive carbon build up in the firebox, low heat out put	<ul style="list-style-type: none"> <li>- Check quality of pellets. Even pellets from the same manufacturer can vary in quality since the materials they use to form pellets may also vary.</li> <li>- Moisture content of pellets too high. Pellets must be stored in a dry place. Areas such as a garage are too damp causing pellets to absorb moisture.</li> </ul>
Unit is burning dirty and lazy	<ul style="list-style-type: none"> <li>- Check that all exhaust and intake pathways are clear of any obstructions.</li> <li>- Burn pot is clean.</li> <li>- Pellets are dry.</li> <li>- Venting and terminal are clear of obstructions.</li> <li>- Exhaust blower is operation and is clean.</li> </ul>



