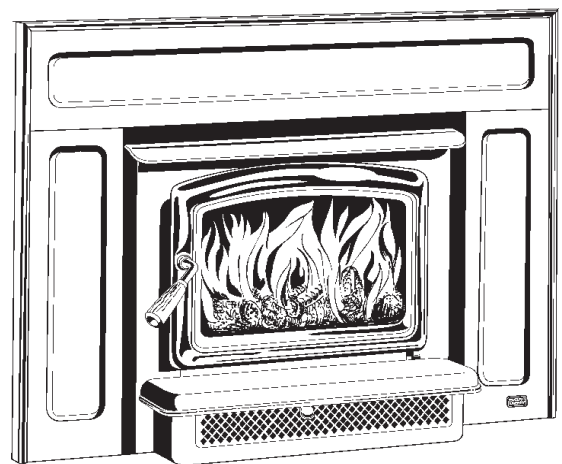




PLEASE SAVE THESE INSTRUCTIONS

SAFETY NOTICE

If this stove is not properly installed, a house fire may result. For your safety, follow the installation directions. Consult local building or fire officials about restrictions and installation inspection requirements in your area.



**TESTED and LISTED
to ULC S628 / UL 1482**

Meets the U.S. Environmental Protection Agency's July 1990 Particulate Emission Standards



INSTALLATION AND OPERATING GUIDE

Model
Pacific VISTA
INSERT
Series - C

Contents

Safety	3
Clearances	3
Masonry or Factory Built Fireplace	3
Installation.....	5
Fireplace Specifications	5
Into a Masonry Fireplace	5
Full Flue Liner - (Required in Canada).....	6
Direct Flue Connection - (USA only).....	6
Into a Factory Built Fireplace	6
Surround Assembly and Installation	7
Combustion Air.....	8
Blower.....	8
Blower Operation.....	8
Electrical Supply	8
Operation.....	9
Wood Selection	9
How to Test Your Wood.....	9
Lighting the Fire	9
Normal Operation	9
Restarting After Extended or Overnight Burns	9
More Wood, More Heat.....	10
Proper Draft	10
Ash Removal.....	10
Disposal of Ashes	10
Creosote	11
Formation and Need for Removal.....	11
Chimney Fires.....	11
In Case of a Chimney Fire	11
Avoiding a Chimney Fire.....	11
Maintenance.....	12
Blower Maintenance	12
Baffle Removal	12
Appendix A.....	13
Troubleshooting	13
Firebrick Installation Instructions	14
Optional Mantel Shield	15
Replacement Parts.....	16
Replacement Parts - Blower.....	17
Optional Hearth Trim Kit.....	18
Label	19

Safety

READ ALL INSTRUCTIONS BEFORE INSTALLING AND USING THIS APPLIANCE. FAILURE TO FOLLOW INSTRUCTIONS MAY RESULT IN PROPERTY DAMAGE, BODILY INJURY, OR EVEN DEATH.

We strongly recommend that smoke detectors be installed. If smoke detectors have been previously installed, you may notice that they are operating more frequently. This may be due to curing of stove paint or fumes caused by accidentally leaving the fire door open. Do not disconnect the detectors. If necessary, relocate them to reduce their sensitivity.

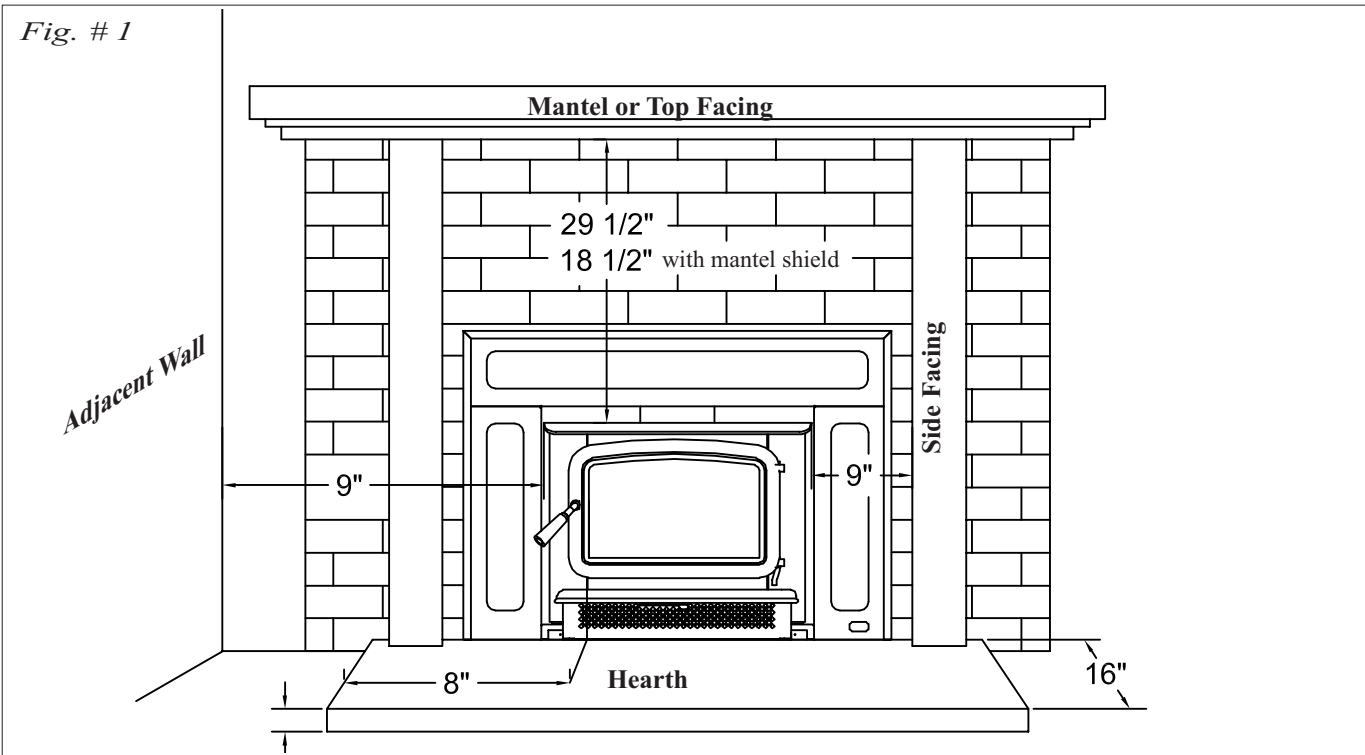
SAFETY NOTICE: If this stove is not properly installed, a house fire may result. For your safety, follow the installation directions. Consult local building or fire officials about restrictions and installation inspection requirements in your area. The services of competent installer, certified by the Wood Energy Technical program (WETT) - in Canada, Hearth Education Foundation (HEARTH) - in U.S.A. (or equivalent) are strongly recommended.

Clearances

Masonry or Factory Built Fireplace

The minimum required clearances to surrounding combustible materials when installed into a masonry or factory built fireplace are listed below and in Fig. #1.

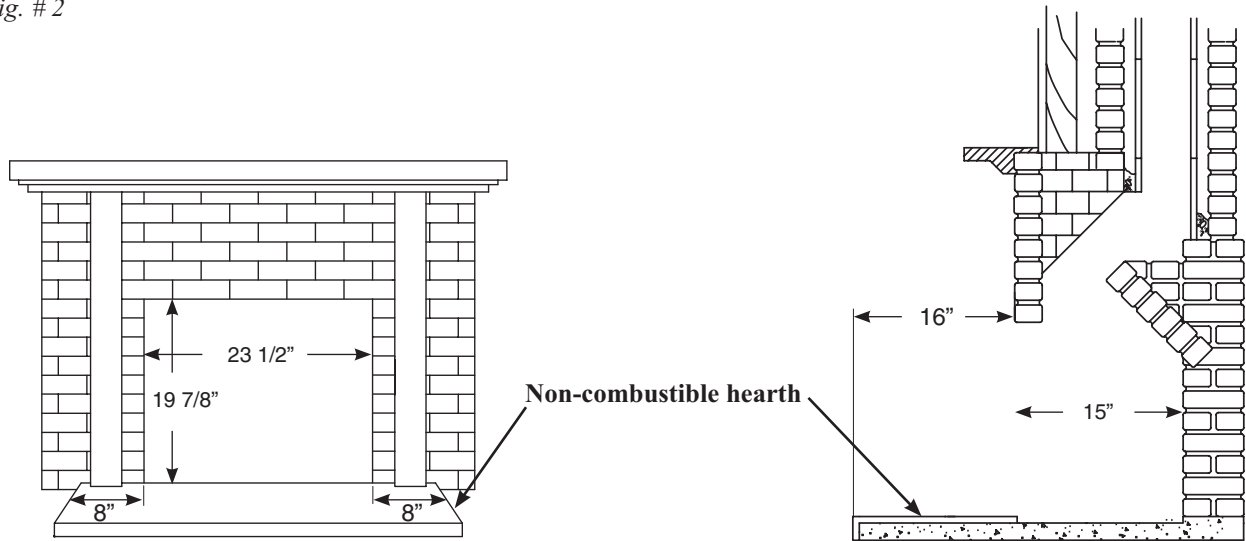
Minimum Clearances to Combustibles (Measured From Insert Body)	
Adjacent Sidewall	9 in. (229 mm.)
Mantel	29.5 in. (749 mm.)
With Mantel Shield.....	18.5 in. (470 mm.)
Top Facing	29.5 in. (749 mm.)
With Mantel Shield.....	18.5 in. (470 mm.)
Side Facing.....	9 in. (229 mm.)



Non-combustible fireplace hearth requirements:

The hearth may be flush with or raised above an adjacent combustible floor and must extend 16" in front and 8" beyond each side of the fireplace opening.

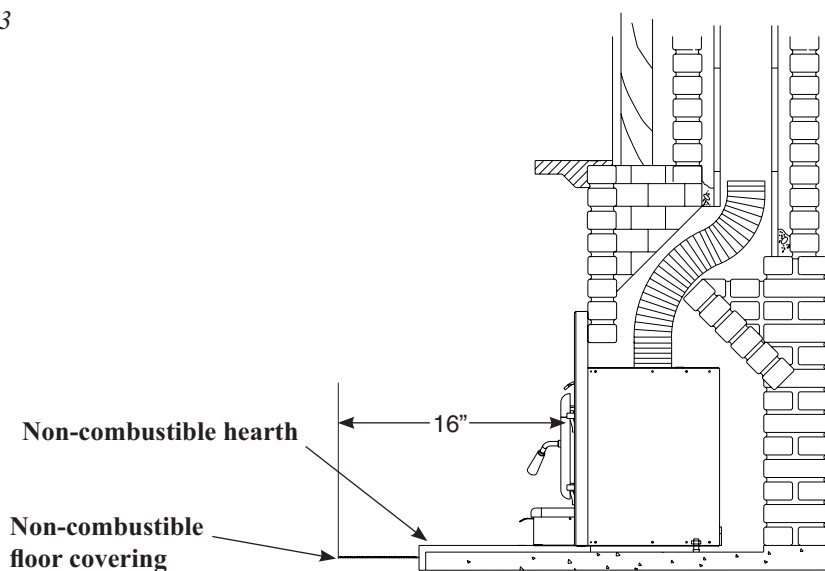
Fig. # 2



Ember protection:

Combustible floor beyond the hearth must be protected from hot embers by non-combustible material extending 16" to the firing side and 8" to other sides of the unit.

Fig. # 3



Installation

Your Insert is designed to be installed into a masonry or factory built zero-clearance fireplace. The masonry fireplace must be built according to the requirements of the **Standard of Chimneys, Fireplaces, Vents and Solid Fuel Burning appliances, N.F.P.A. 211** (Latest Edition) or applicable National, Provincial, State or local codes. The installation shall conform to **CAN/CSA-B365, Installation Code for Solid-Fuel-Burning Appliances and Equipment**. The factory built zero-clearance fireplace and its chimney must be listed per UL 127 or ULC S610 standards.

Warning: Under no circumstances is this heater to be installed in a makeshift or "temporary" manner.

DO NOT CONNECT THIS UNIT TO A CHIMNEY FLUE SERVICING ANOTHER APPLIANCE.

Fireplace Specifications

Your fireplace is required to have the following minimum sizes:

WIDTH	23-1/2" (597 mm)
HEIGHT	19-7/8" (505 mm)
DEPTH	15" (381 mm)

Chimney height 15' (minimum).

A metal tag is provided and is to be fastened to the back wall of the fireplace, if the fireplace has been modified to accommodate the insert.

Into a Masonry Fireplace

Inspect your fireplace for cracks, loose mortar or other physical defects. If repairs are required, they should be completed before installing your insert.

The fireplace chimney must be suitable for wood burning use. Check for creosote build up or other obstructions, especially if it has not been in use for some time.

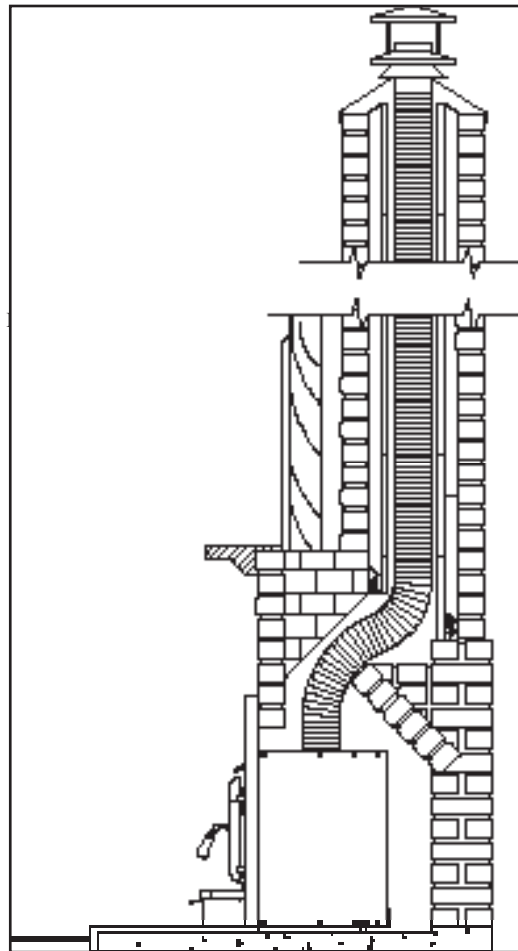
The existing fireplace damper is to be locked open or removed completely.

WARNING: Do not remove bricks or mortar from your existing fireplace.

Exception: Masonry or steel, including the damper plate, may be removed from the smoke shelf and adjacent damper frame if necessary to accommodate a chimney liner, provided that their removal will not weaken the structure of the fireplace and chimney, and will not reduce protection for combustible materials to less than that required by the National Building Code.

Fig. # 4

Full Flue Liner



The Insert must be installed in accordance with local and or national building codes. The two methods of flue connection that are acceptable in most areas are:

Full Flue Liner: where a listed stainless steel rigid or flexible liner extends from the Insert flue collar to the top of the chimney.

Direct Flue Connection: where a listed stainless steel rigid or flexible liner extends from the Insert flue collar to the first chimney flue liner.

Note: A clean-out door may be required under local codes, when a direct flue connection is used. Consult local codes.

Pacific Energy highly recommends the use of a full liner as the safest installation and providing optimum performance. When connected to a full liner, the Insert is able to draft correctly and will prevent problems such as difficult start-ups and smoking out the door.

Full Flue Liner - (Required in Canada)

- 1) Measure the chimney height from the top of the existing flue to the floor of the hearth. This will allow extra length of liner for flashing and rain cap.
- 2) Feed the stainless steel liner from top of the chimney, through the damper area and into the fireplace cavity.
- 3) Attach a stove connector to the bottom of the liner.
- 4) Push the Insert into position inside the fireplace and attach the connector to the stove collar. Use the rear adjusting legs to level the Insert.

Note: For better access, the top of the casing may be removed (Fig. #4). If it is necessary to get access to the connector pipe through the flue outlet of the Insert, the baffle can be removed (see Baffle Removal section).

- 5) Measure, trim and shape a top flashing to fit the existing chimney flue. Plan for a 1" to 1-1/2" overlap on each side. Place flashing over top of the liner and seat firmly against the tile.
- 6) Screw flashing collar to liner. Caulk gap around flashing with RTV silicone.
- 7) Attach a rain cap to the end of the liner. A storm collar may be used if desired.

Consult your local Dealer about relining your fireplace chimney.

Direct Flue Connection - (USA only)

- 1) Measure from the first chimney flue liner to the top of the Insert. Allow extra length of liner to insert into flue tile.
- 2) Feed the stainless steel liner through the damper area and into the first chimney flue tile. Seal around pipe.

Note: A clean-out door may be required under local codes, when a direct flue connection is used. Consult local codes.

- 3) Push the Insert into position inside the fireplace and attach the connector pipe to the stove collar. Use the rear adjusting legs to level the Insert.

Note: For better access, the top of the casing may be removed (Fig. #6). If it is necessary to get access to the connector pipe through the flue outlet of the Insert, the baffle can be removed (see Baffle Removal section).

Fig. # 6

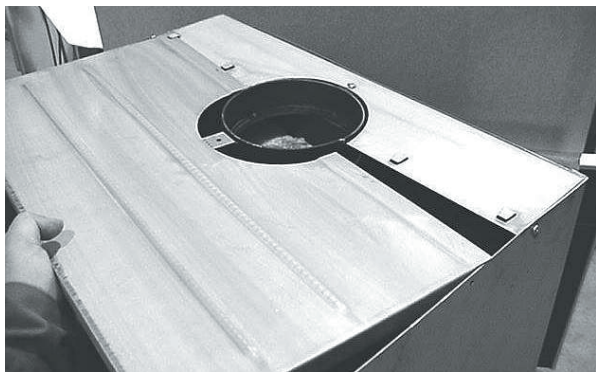
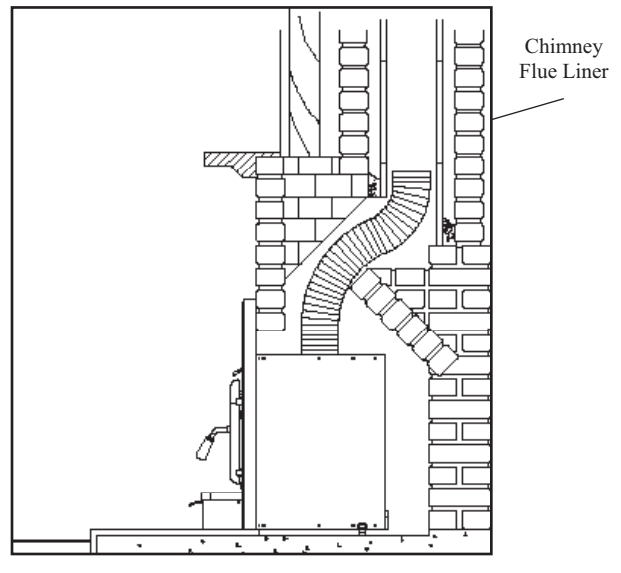


Fig. # 7

Direct Flue Connection



Into a Factory Built Fireplace

Your Insert may be installed into a factory built fireplace (size permitting) with the following requirements:

- 1) Inspect your fireplace for damage or other physical defects. The fireplace must be in good working condition. If in doubt about its condition, seek professional advice. Check for creosote build up or other obstructions inside the chimney, especially if it has not been in use for some time. Before installing, clean your chimney system thoroughly.
- 2) A full stainless steel rigid or flexible flue liner meeting type HT requirements (2100°F) per 1777 (U.S.) or ULC S635 (Canada) must be used for both safety and performance. The liner must be securely attached to the Insert flue collar and the chimney top.
- 3) The surround must be sealed to the fireplace front or the damper area around the chimney liner must be sealed to prevent room air entering the chimney cavity of the fireplace.
- 4) The air flow within and around the fireplace must not be altered by the installation of the Insert (i.e. no blockage of louvers or cooling air inlet or outlet ports). This includes the circulating air chambers in a steel fireplace or metal heat circulator.
- 5) Alteration of the fireplace in any manner is not permitted with the following exceptions:
 - a: external trim pieces which do not affect the operation of the fireplace may be removed and stored on or within the fireplace for re-assembly if the Insert is removed.
 - b: the chimney damper may be removed to install the liner.

Surround Assembly and Installation

- 1) Lay part A, B and C face down on a flat non-marring surface. Fasten together with 1/4" x 1/2" bolts and nuts provided through holes at points "D" (Fig. #8 and 11).
- 2) Lift the surround assembly to the upright position and make sure the front face is flat and even at the joints.
- 3) Assemble the three trim pieces using the enclosed hardware. Slide part F into the back corners of the trim and tighten screws. Ensure the mitred corners fit tightly and evenly (Fig. #9).
- 4) Slide the assembled trim over the surround from the top (Fig. #8).
- 5) Tighten the retaining screws at the bottom of each trim side (Fig. #10).

Fig. # 8

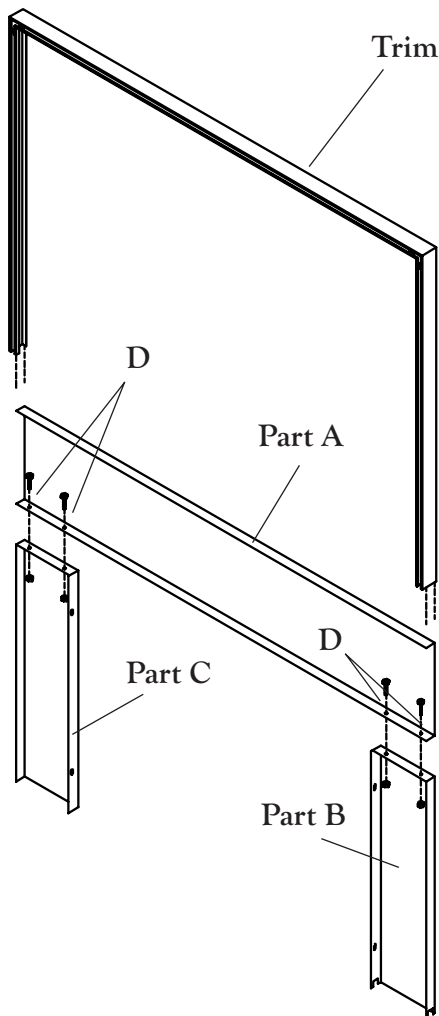


Fig. # 9

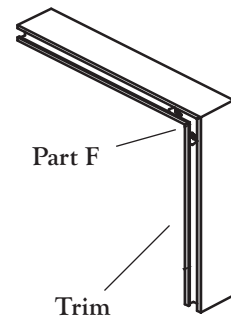


Fig. # 10

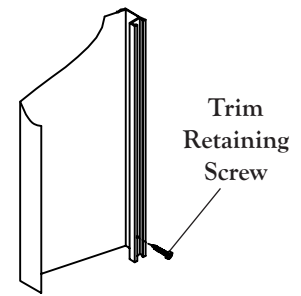
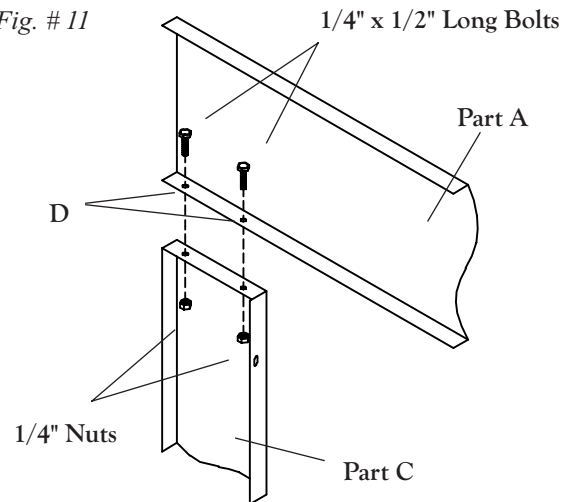


Fig. # 11



- 6) DO NOT LIFT THE SURROUND ASSEMBLY BY GRASPING THE TRIM. Engage the bottom of the pre-assembled surround onto the unit. The surround base is notched to fit over the casing flange. (see Fig. #12) Pivot surround assembly up into place and secure with 2 screws in the upper corners of the casing. (see Fig. #13)

Fig. # 12



Notch in Surround Base

Fig. # 13



- 7) Push the entire appliance back until the surround assembly is in contact with the fireplace.

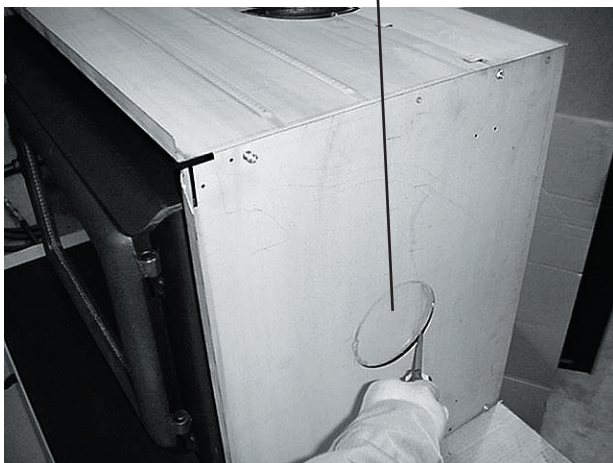
Combustion Air

Consult local building codes regarding combustion air supply. Intake or combustion air can be supplied to the Insert in one of two ways:

- 1) Outside air supply: Remove cover from ash clean out in existing fireplace. Place a rodent screen in place of the cover. Install the Insert as described in the "Installation" section, making sure not to cover the opening of the air inlet. When installation is complete, seal surround to fireplace and anywhere else air may enter. This will ensure combustion air is drawn from outside the house and into the 7" x 2" intake at the lower rear of the appliance.
- 2) Room air supply: Remove the 4" knock-out plug from either casing side prior to installation (Fig. #14). Install the Insert as described in the "Installation" section. The Insert will now draw its air from the room through the front.

Fig. # 14

Knock-out Plug



Blower

The Insert comes equipped with a variable speed circulating air blower. The blower system is thermostatically controlled for automatic operation, as well manually with a convenient bypass switch.

Blower Operation

Automatic: To operate the blower automatically, push the rocker switch to the "0" or OFF position and set the fan speed control to a desired setting.

This will allow the blower to turn on automatically once the Insert has come up to operating temperature. It will also shut the blower off after the fire has gone out and the appliance cooled to below a useful heat output range. On and Off times will vary with installation and location of appliance.

Manual: To manually operate the blower, push the rocker switch to the "1" or ON position and set the fan speed control to a desired setting. This will bypass the temperature switch and allow full control of the blower.

Suggested settings:

- Combustion air control setting of "L" (low), operate blower speed control on "Low".
- Combustion air control greater than "L" (low), operate blower speed control at desired setting.

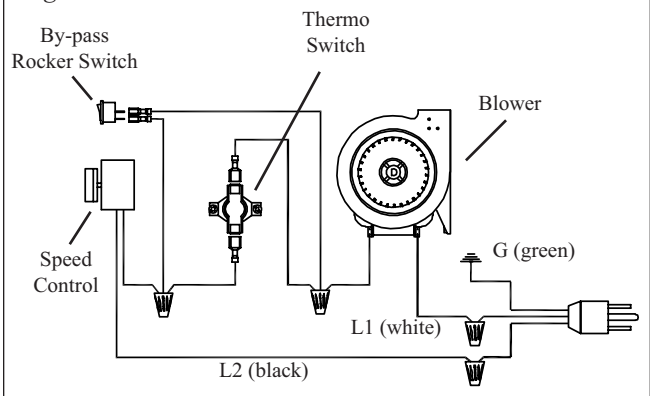
Electrical Supply

Circulating air blower electrical rating: 115V, 60 Hz, 80 Watts.

For your protection against shock hazard, use only a properly grounded outlet that will accept a three-pronged plug. Do not cut or remove the grounding prong.

Consult local codes or in the absence of local codes, with the current CSA C22.1 Canadian Electrical Code and in the USA with the National Electrical Code, ANSI/NFPA 70 (latest edition).

Fig. # 15



Operation

Wood Selection

This heater is designed to burn natural wood only. Higher efficiency and lower emissions generally result when burning air-dried seasoned hardwoods, as compared to softwoods or too green or freshly cut hardwoods.

Wood should be properly air dried (seasoned) for six months or more. Wet or undried wood will cause the fire to smoulder and produce large amounts of creosote. Wet wood also produces very little heat and tends to go out often.

DO NOT BURN :

- | | |
|--------------------|----------------|
| -Salt water wood * | -Treated wood |
| -Wet or green wood | -Coal/charcoal |
| -Garbage/Plastic * | -Solvents |

* **These materials contain chlorides which will rapidly destroy metal surfaces and void warranty.**

Do not burn anything but wood. Other fuel, e.g. charcoal, can produce large amounts of carbon monoxide, a tasteless, odourless gas that can kill. Under no circumstances should you attempt to barbecue in this heater.

How to Test Your Wood

Add a large piece of wood to the stove when it has a good large bed of coals. It is dry if it is burning on more than one side within one minute. It is damp if it turns black and lights within three minutes. If it sizzles, hisses and blackens without igniting in five minutes it is soaked and should not be burnt.

WARNING: Do not use grates or andirons to elevate the fuel. Burn directly on the firebricks. Replace broken or missing bricks. Failure to do so may create a hazardous condition.

Your Pacific Energy heater is designed for maximum overall efficiency at a moderate firing rate. Overfiring is hazardous and a waste of fuel. Too slow a burn contributes to creosote buildup and lowers combustion efficiency.

Lighting the Fire

WARNING: Never use chemicals or any other volatile liquid to start a fire.

- 1) Adjust air control to "H" (high) position and open door.
- 2) Place crumpled newspaper in the centre of the heater and criss-cross with several pieces of dry kindling. Add a few small pieces of dry wood on top.
- 3) Ignite the paper and close the door.
- 4) After the fire as established itself, open the door and add a few small logs. Close door.
- 5) Begin normal operation after a good coal base exists and wood has charred.

Normal Operation

- 1) Set air control to desired setting. If smoke pours down across the glass (waterfall effect), this indicates you have shut the control down too soon or you are using too low a setting. As every home's heating needs vary (i.e. insulation, windows, climate, etc.), the proper setting can only be found by trial and error and should be noted for future burns.
- 2) To refuel, adjust air control to "H" (high), and give the fire time to brighten. Open door slowly, this will prevent backpuffing.
- 3) Use wood of different shape, diameter and length (up to 18"). Load your wood from side to side and try to place the logs so that air can flow between them. Always use dry wood.
- 4) Do not load fuel to a height or in such a manner that would be hazardous when opening the door.
- 5) For extended or overnight burns, unsplit logs are preferred. Remember to char the wood completely on "H" (high) setting before adjusting air control for overnight burn.

WARNING: Always keep loading door closed when burning. This heater is not designed for open door burning.

Restarting After Extended or Overnight Burns

- 1) Open door and rake hot embers towards the front of the heater. Add a couple of dry, split logs on top of embers, close door.
- 2) Adjust air control to "H" (high) and in just a few minutes, logs should begin burning.
- 3) After wood has charred, reset air control to desired setting.
- 4) When burning at a slow rate for extended periods, occasionally maintain a strong fire under supervision for a couple of hours to relieve firebox and chimney deposits as well as any of the deposits on the glass.

WARNING: This method is not a substitute for regular chimney inspections and cleaning.

- 5) To achieve maximum firing rate, set control to "H" (high). Do not use this setting other than for starting or preheating fresh fuel loads.

DO NOT OVERFIRE THIS HEATER: Attempts to achieve heat output rates that exceed heater design specifications can result in permanent damage to the heater and chimney.

WARNING: No alteration or modification of the combustion air control assembly is permitted. Any tampering will void warranty and could be very hazardous.

More Wood, More Heat

Seasoned wood has approximately 7500 BTU's per pound. If you put 10 pounds of wood in your stove for an eight hour burn the wood will be producing 9375 BTU's per hour. ($7500 \text{ BTU} \times 10 \text{ lbs} / 8 \text{ hrs.} = 9375 \text{ BTU's per hr.}$). If you put 20 lbs of wood in your stove for an eight hour burn you will get 18,750 BTU's per hr. ($7500 \text{ BTU} \times 20 \text{ lbs} / 8 \text{ hrs.} = 18,750 \text{ BTU's per hr.}$). This is only an example and is based on 100% efficiency. In reality, your stove should perform in the 70% efficiency range.

Experience will give you the right settings for proper combustion and efficient burning. Remember the air inlet setting is affected by variables such as type of wood, outside temperature, chimney size and weather conditions. With practice, you will become proficient in operating your heater and will obtain the performance for which it was designed.

Proper Draft

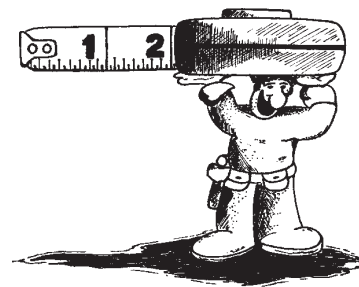
- 1) Draft is the force which moves air from the appliance up through the chimney. The amount of draft in your chimney depends on the length of the chimney, local geography, nearby obstructions and other factors.
- 2) Too much draft may cause excessive temperatures in the appliance. An uncontrollable burn or a glowing red stove part or chimney indicates excessive draft.
- 3) Inadequate draft may cause backpuffing into the room and plugging of the chimney. Smoke leaking into the room through appliance and chimney connector joints indicates inadequate draft.

Ash Removal

Whenever ashes get 3 to 4 inches deep in your firebox, and when fire has burned down and cooled, remove excess ashes. Leave an ash bed approximately 1 inch deep on the firebox bottom to help maintain a hot charcoal bed.

Disposal of Ashes

Ashes should be placed in a metal container with a tight fitting lid. The closed container of ashes should be placed on a non-combustible floor or on the ground, well away from all combustible materials, pending final disposal. If the ashes are disposed of by burial in soil or otherwise locally dispersed, they should be retained in the closed container until all cinders have thoroughly cooled. Other waste should not be placed in this container!



Creosote

Formation and Need for Removal

When wood is burned slowly, it produces tar and other organic vapours, which combine with expelled moisture to form creosote. The creosote vapours condense in the relatively cool chimney flue of a slow burning fire. As a result, creosote residue accumulates on the flue lining. When ignited, this creosote makes an extremely hot fire. The chimney connector and chimney should be inspected at least once every two months during the heating season to determine if a creosote buildup has occurred. If creosote has accumulated, it should be removed to reduce the risk of a chimney fire.

1. Highest smoke densities occur when a large amount of wood is added to a bed of hot coals and the air inlet is closed. The heated wood generates smoke, but without ample air, the smoke cannot burn. Smoke-free, clean burning requires small fuel loads, two or three logs at a time or 1/4 to 1/2 of a fuel load and leaving the air inlet relatively wide open, especially during the first 10 to 30 minutes after each loading, when most of the smoke generating reactions are occurring. After 30 minutes or so, the air inlet can be turned down substantially without excessive smoke generation. Wood coals create very little creosote-producing smoke.
2. The cooler the surface over which wood smoke is passing, the more creosote will be condensed. Wet or green wood contributes significantly to creosote formation as the excess moisture that is boiled off cools the fire, making it difficult for the tars and gasses to ignite, thus creating dense smoke and poor combustion. This moisture-laden smoke cools the chimney, compounding the problem by offering the smoke the ideal place to condense.

In summary, a certain amount of creosote is inevitable and must be lived with. Regular inspection and cleaning is the solution. The use of dry, seasoned wood and ample combustion air will help to minimize the buildup.

Chimney Fires

The result of excessive creosote buildup is a chimney fire. Chimney fires are dangerous. Chimney inside temperatures can exceed 2000 degrees F. This causes much higher than normal temperatures in the chimney and on its exterior surfaces thus ignition of nearby or touching combustible material is more likely during a chimney fire. Proper clearances are critical during such a fire.

Chimney fires are easy to detect; they usually involve one or more of the following:

- Flames and sparks shooting out of the top of the chimney
- A roaring sound
- Vibration of the chimney

In Case of a Chimney Fire

1. Prepare to evacuate to ensure everyone's safety. Have a well understood plan of action for evacuation. Have a place outside where everyone is to meet.
2. Close air inlets on stove.
3. Call local fire department. Have a fire extinguisher handy. Contact your local fire authority for further information on how to handle a chimney fire. It is most important that you have a clearly understood plan on how to handle a chimney fire.
4. After the chimney fire is out, the chimney must be cleaned and checked for stress and cracking before starting another fire. Also check combustibles around chimney and the roof.
 - The services of a competent or certified installer, (certified by the Wood Energy Technical Training program (WETT) - in Canada, Hearth Education Foundation (HEARTH) - in U.S.A.,) are strongly recommended.

Avoiding a Chimney Fire

There are two ways to avoid chimney fires:

1. Do not let creosote build up to a point where a big chimney fire is possible.
2. Do not have fires in the heater that may ignite chimney fires. These are hot fires, such as when burning household trash, cardboard, Christmas tree limbs, or even ordinary fuel wood; (eg. with a full load on a hot bed of coals and with the air inlet wide open).

Maintenance

1. Burn wood only, dry and well seasoned. The denser or heavier the wood when dry, the greater its heat value. This is why hardwoods are generally preferred. Green or wet wood will cause a rapid buildup of creosote. If you feel it is necessary to burn wet or unseasoned wood, do so only with the air inlet set open enough to maintain a good strong fire and fairly high chimney temperatures. Do not attempt to burn overnight using green or wet wood. Wet wood can cause up to 25% drop in heater output, as well as contributing significantly to creosote buildup.

WARNING: Never use chemicals or any other volatile liquid to start a fire. Do not burn garbage, or flammable fluids such as gasoline, naphtha, or engine oil. We strongly recommend that smoke detectors be installed.

2. Remove ashes frequently. Embers can roll out the door and create a fire hazard. Maintain a 1" minimum ash base.
3. If glass becomes darkened through slow burning or poor wood, it can readily be cleaned with any fireplace glass cleaner when stove is cold. Never scrape with an object that might scratch the glass. The type and amount of deposit on the glass is a good indication of flue pipe and chimney buildup. A light brown dusty deposit that is easily wiped off usually indicates good combustion and dry, well-seasoned wood and therefore relatively clean pipes and chimney. On the other hand, a black, greasy deposit that is difficult to remove is a result of wet and green wood and too slow a burning rate. This heavy deposit is building up at least as quickly in the chimney.

WARNING: Only use materials supplied by the manufacturer when doing maintenance or replacements.

4. **DOOR GASKET** - The gasket used by Pacific Energy requires only light pressure to seal. This will prolong seal life. It is important that the door seal be maintained in good condition. Periodically inspect seals and replace if necessary. Follow instructions included in the #2082.2 kit obtainable from your nearest Pacific Energy Dealer.
5. **DOOR GLASS** - Do not slam loading door or otherwise impact glass. When closing door, make sure that no logs protrude to impact the glass. If the glass gets cracked or broken, it must be replaced before using the stove. Replacement glass can be obtained from your Dealer. The size required is 8-5/8 x 14-1/8 x 5 mm. Only ceramic glass may be used. **Do not substitute with any other type.**

To remove broken glass, undo the four retaining screws and remove the frame noting position for re-assembly. Remove all particles of glass. Be careful as they are very sharp. Install new glass complete with gasket. Replace frame and screws.

WARNING: Do not overtighten, tighten screws very carefully.

- Do not clean glass when hot
 - Do not use abrasive cleaners on glass
6. Do not store wood within heater installation clearances, or within the space required for fuel loading and ash removal. Keep the area around the heater clean and free of all loose combustibles, furniture, newspapers, etc.
 7. If gold door requires cleaning, use mild soap and water only. **Use of abrasive cleaners will void warranty.**
 8. Establish a routine for the fuel, wood burning and firing technique. Check daily for creosote buildup until experience shows how often you need to be cleaning to be safe.
 9. Be aware that the hotter the fire, the less creosote is deposited. Weekly cleaning may be necessary in mild weather, even though monthly cleaning is usually enough in the coldest months when burning rates are higher.
 10. Instruct all members of your family on the safe operation of the heater. Ensure they have enough knowledge of the entire system if they are expected to operate it. Stress the section on chimney fires and the importance of following the steps outlined in "In Case of Chimney Fire".

Blower Maintenance

The blower requires occasional cleaning to prevent buildup of dust and hair. More frequent cleaning may be required if conditions are dusty or pets are present. This service is best performed by a qualified service technician.

Baffle Removal

The baffle may be removed from the firebox to clean and inspect the chimney liner.

DO NOT OPERATE WITH BAFFLE OR INSULATION REMOVED.

Removal

Remove retaining pin at the back top of the firebox, just under the baffle. Remove rail extensions in front of the baffle. Lift baffle up and pull forward to disconnect from the supply tube. Tilt baffle sideways to drop down and remove from firebox. Remove insulation to access flue outlet. Inspect gasket between baffle and supply tube. If necessary, replace with gasket #139.5 available from your Pacific Energy dealer. Re-install baffle assembly and insulation by reversing order. Ensure that the insulation is not obstructing the flue outlet or the area above the baffle.

Appendix A

Troubleshooting

Problem	Cause	Cure
Excessive Creosote Buildup	1) Wood is too wet	- Use dry wood
	2) Turning down air control too soon	- Do not turn down until: a) there is a good bed of coals b) the wood is charred
	3) Draft too low	- Improper chimney height and/or diameter - Chimney plugged or restricted, check flue - Provide outside air for combustion
Glass is Dirty	1) See 1, 2, and 3 above	
	2) Door Gasket leakage	- Replace gasket - Check latch
Low Heat Output	1) Wood is wet	- Use dry wood
	2) Fire too small	- Build a larger fire
Won't Burn Overnight	1) Air control set too high	- Set control lower
	2) Not enough wood	- Unsplit wood is preferred for overnight burns
Stove Won't Burn	1) Combustion air supply is blocked	- Check outside air supply for obstructions (see Combustion Air section)
	2) Draft too low	- Chimney plugged or restricted Inspect and clean - Chimney oversized or otherwise unsuitable Consult Dealer





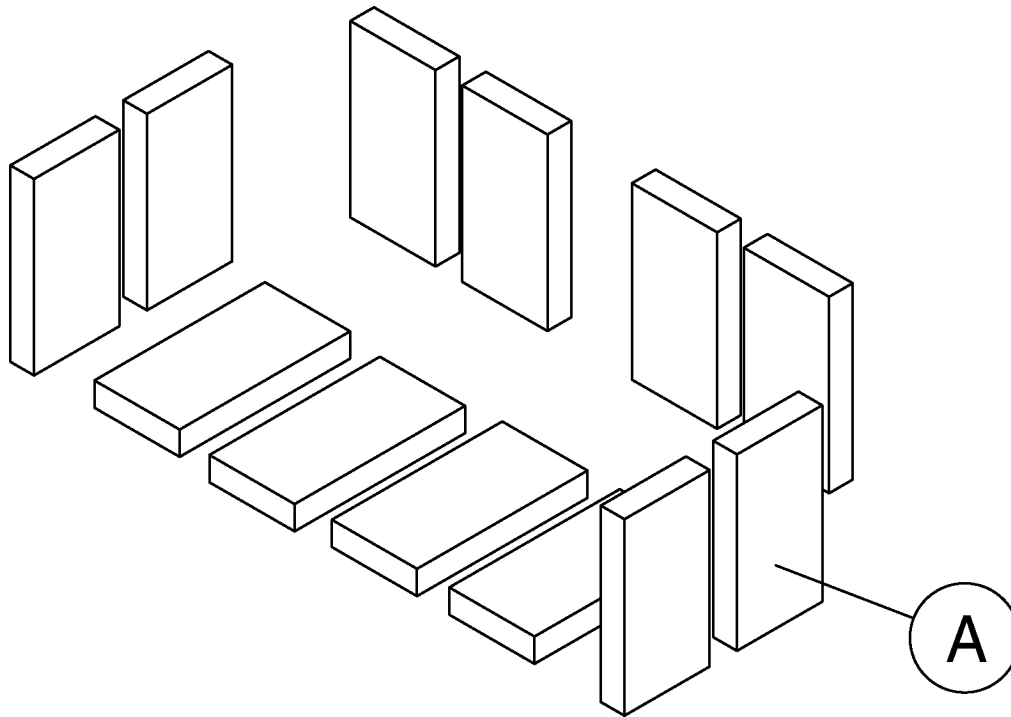
Firebrick Installation Instructions

Pacific Vista Insert

This package contains 12 full-size firebricks.

With the heater in the upright position, install firebricks as follows:

- First, install 4 firebricks against the rear wall.
- Next, install the side firebricks, 2 each side.
- Lastly, place 4 firebricks on the bottom of the heater.



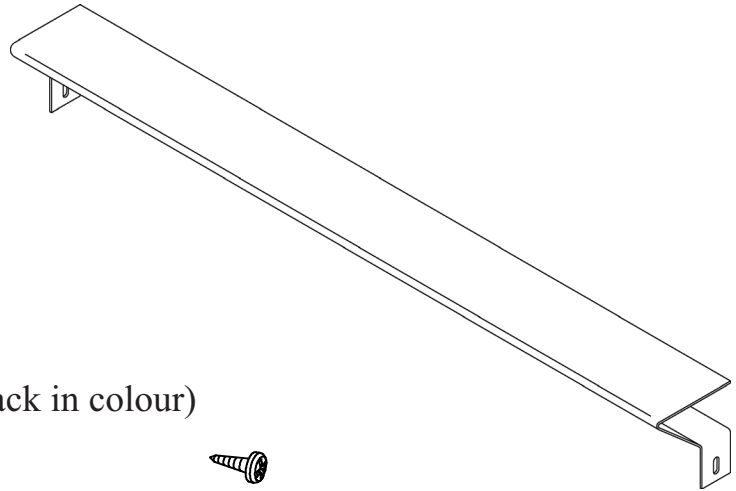
ITEM	SIZE	PART NUMBER
A	9" X 4 1/2" X 1 1/4" (230 mm x 115 mm x 32 mm)	5096.99



Pacific VISTA INSERT Optional Mantel Shield

This kit contains:

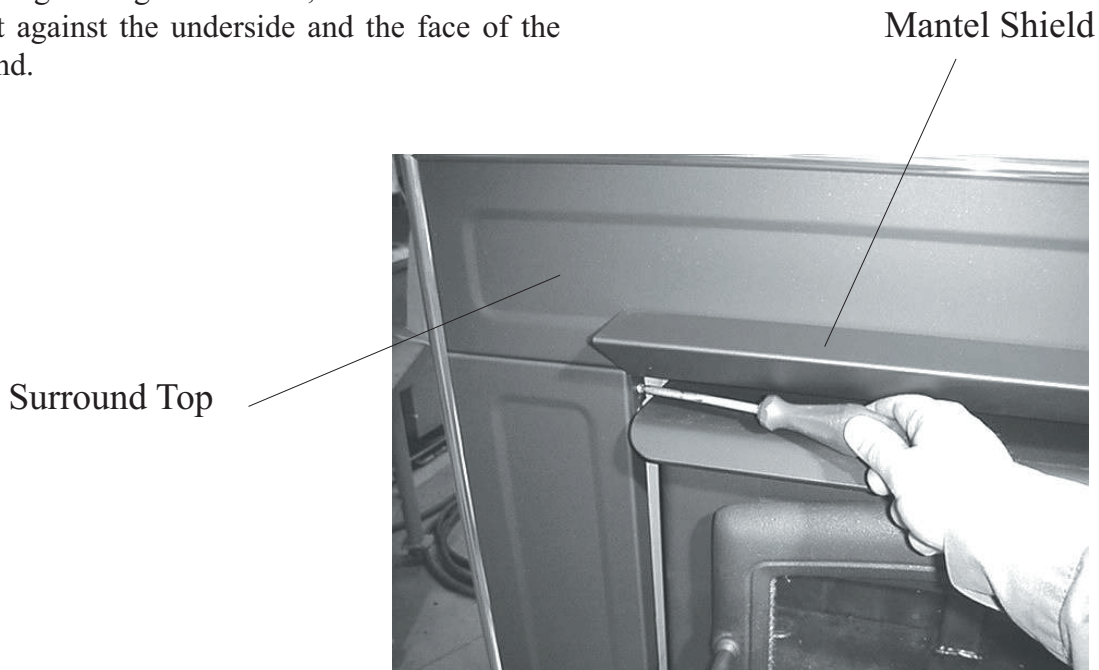
1.....Mantel Shield



2..... #8 x 1/2" Sheet metal screws (black in colour)

Installation:

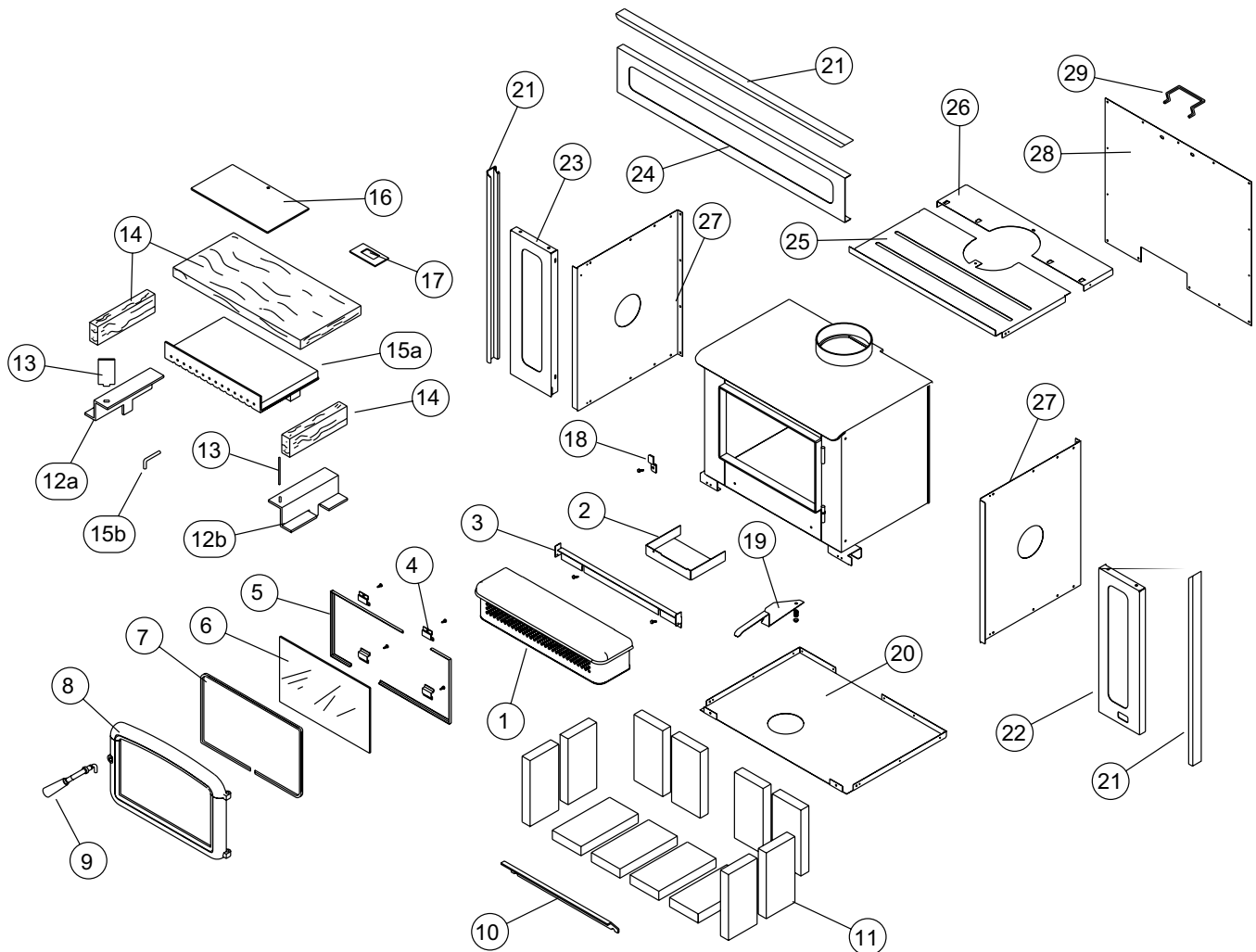
Unpack and inspect mantel shield. Remove the two top screws holding the surround in place. Position the mantel shield over the holes and replace screws. Before tightening the screws, ensure the shield is tight against the underside and the face of the surround.



Replacement Parts

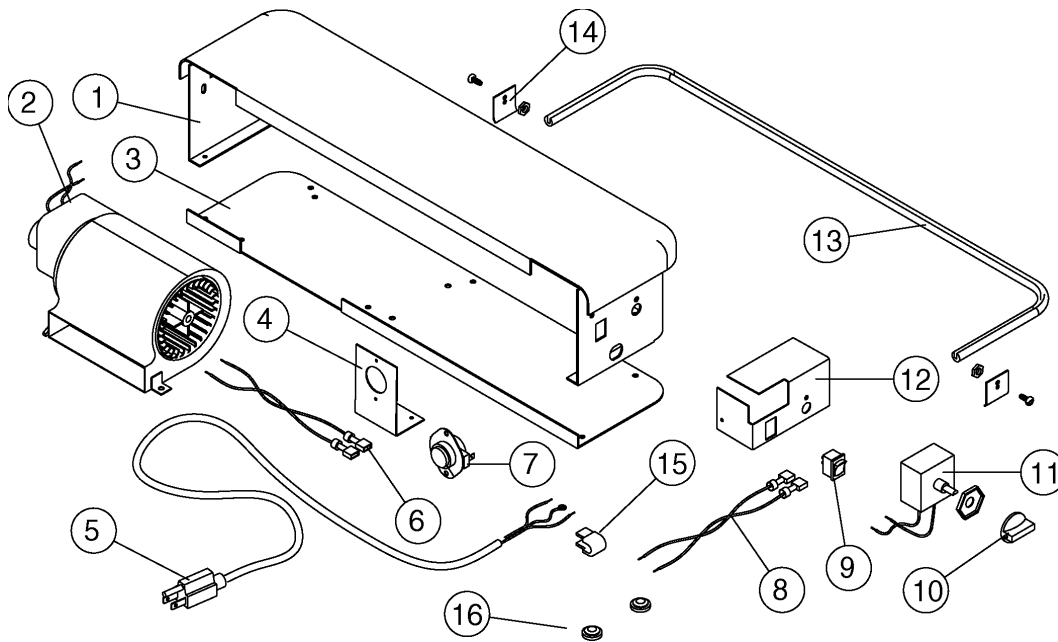
ITEM	DESCRIPTION	PART NO.	ITEM	DESCRIPTION	PART NO.
1	Ash Lip/Blower Assembly (c/w Gold Trim)	VINC.BLOWA	16	Flame Shield (c/w Bolt and Nut)	VINC.2305
2	Air Control Cover	2327	17	Baffle Gasket	139.5
3	Blower Bracket	2324	18	Door Catch (c/w Bolt)	WODC.1461
4	Glass Clamp Kit (c/w Screws)	SSER.142	19	Air Shutter Assembly (c/w Spring, Washer and Cap)	VINC.2331
5	Glass Bar Kit (2 pcs.)	VIST.2125	20	Casing Bottom	2321
	Glass Gasket (not shown)	2082.1	21	Surround Trim, Set (* Standard-size)	VINC.2361
6	Rep. Glass (c/w Glass Gasket)	DRVS.2082		Surround Trim, Set (** Over-size, not shown)	VINC.2364
7	Door Gasket Kit	2082.2		Surround Hardware Package (not shown)	WINS.SMHDW
8	Door Casting, Arched Black	CAST.VSST	22	Surround Side, Right (* Standard-size)	VINC.2315
	Door Casting, Arched Gold	CAST.VSGD		Surround Side, Right (** Over-size, not shown)	VINC.2318
	Door Casting, Arched Nickel	CAST.VSNI	23	Surround Side, Left (* Standard-size)	VINC.2314
9	Door Handle Assembly (c/w Wood Handle and Nut)	WODC.4147		Surround Side, Left (** Over-size, not shown)	VINC.2317
10	Boost Manifold	2105	24	Surround Top (* Standard-size)	VINC.2316
11	Firebrick - 9" x 4 1/2" x 1 1/4" (12 pcs. required)	5096.99		Surround Top (** Over-size, not shown)	VINC.2319
	Firebrick Set	BRIC.VINCA	25	Casing Top, Front	2323
12a	Brick Rail, Left	2122	26	Casing Top, Back	2322
12b	Brick Rail, Right	2122.5	27	Casing Side, Left or Right	2325
14	Baffle Insulation Kit (3 pcs.)	5068.74	28	Casing Back	2324
15a	Baffle	VIST.2111	29	Rear Handle	512
15b	Baffle Pin	125			

* Standard-Size Surround Assembly, Embossed Panels 36 1/2" wide x 26 1/4" high
 ** ... Over-Size Surround Assembly, Plain Panels 42 1/2" wide x 29 1/4" high



Replacement Parts - Blower

ITEM	DESCRIPTION	PART NO.	ITEM	DESCRIPTION	PART NO.
1.....	Ash Lip/Blower Housing	VINC.2310	9.....	Rocker Switch.....	5071
2.....	Blower Only	5024.52	10....	Rheostat Knob.....	5026
3.....	Blower Bottom Cover	2341.002	11....	Rheostat.....	5025
4.....	Snap Disc Switch Bracket.....	1947	12....	Rheostat Shield	2344
5.....	Cordset	5028	13....	Ash Lip Trim, Gold.....	2360
6.....	Snap Disc Switch Wire	VINC.5032	Ash Lip Trim, Nickel	2360.1
7.....	Snap Disc Switch	5027.2	14....	Ash Lip Hardware.....	ALIP.3211
8.....	Rocker Switch Wire	VINC.503221	15....	Cord Strain Relief	5029
			Blower Assembly Hardware (not shown).....	VINC.50335



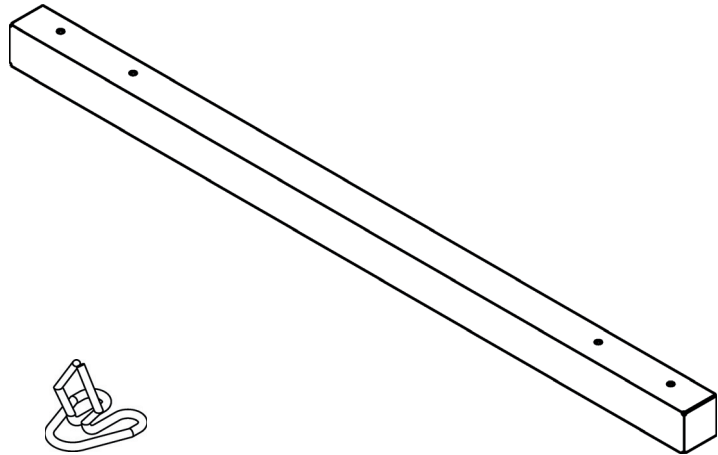
All parts may be ordered from your nearest Pacific Energy dealer. Contact Pacific Energy for the location of the dealer nearest you.



Pacific VISTA INSERT Optional Hearth Trim Kit

This kit contains:

1.....Hearth Trim

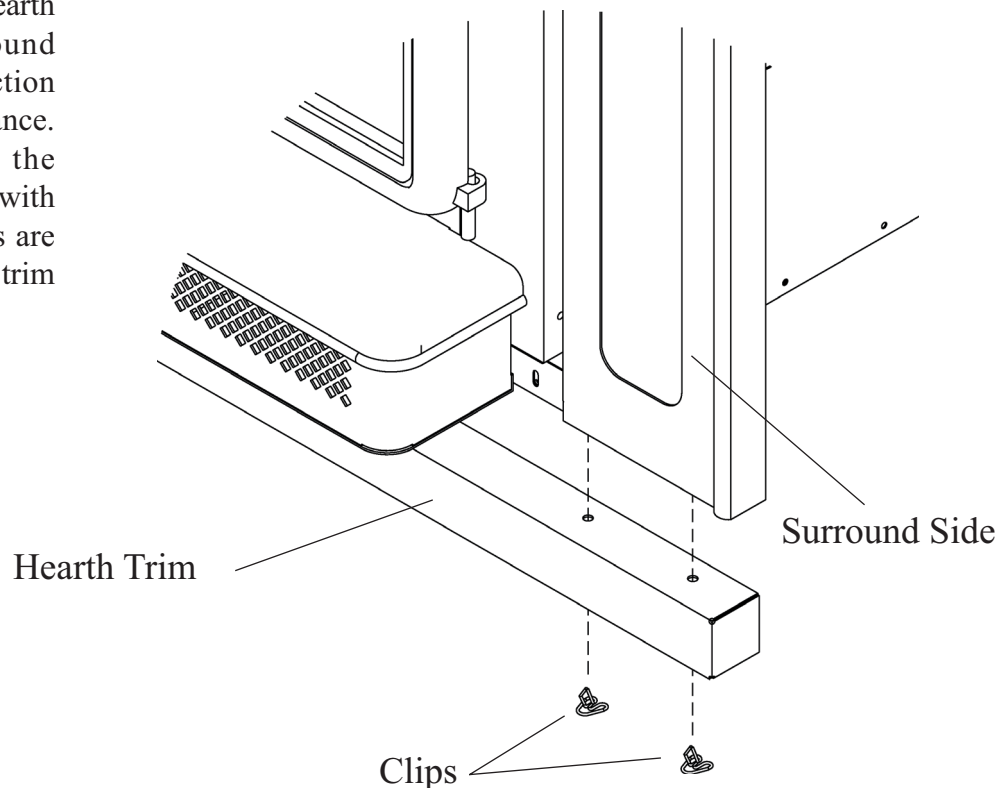


4..... Spring Clips



Installation:

Unpack and inspect the hearth trim. Install the surround assembly as per instruction supplied with the appliance. Attach hearth trim to the bottom of the surround with clips provided. The clips are installed up through the trim and into the surround.



Label

WH- A



**LISTED FACTORY BUILT FIREPLACE ACCESSORY INSERT
CERTIFIED FOR USE IN CANADA AND U.S.A.**

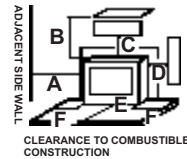
WH- A

MODEL: PACIFIC VISTA INSERT SERIES: C

TESTED TO: ULCS628 / UL1482 REPORT NO: 476-1905-00 (MAR. 2001)

- INSTALL AND USE ONLY IN ACCORDANCE WITH THE MANUFACTURER'S INSTALLATION AND OPERATING INSTRUCTIONS. CONTACT LOCAL BUILDING OR FIRE OFFICIALS ABOUT RESTRICTIONS, INSTALLATION PERMIT AND INSPECTION IN YOUR AREA.

MINIMUM CLEARANCE TO COMBUSTIBLES (MEASURED FROM INSERT BODY)	
A) ADJACENT SIDEWALL	229 mm / 9 in.
B) MANTEL	749 mm / 29.5 in.
MANTEL WITH SHIELD	470 mm / 18.5 in.
C) TOP FACING	749 mm / 29.5 in.
TOP FACING WITH SHIELD	470 mm / 18.5 in.
D) SIDE FACING	229 mm / 9 in.



- INSTALL AND USE ONLY IN MASONRY OR FACTORY BUILT FIREPLACE.
- INSTALL ONLY ON A NON-COMBUSTIBLE HEARTH, FLUSH OR RAISED ABOVE AN ADJACENT COMBUSTIBLE FLOOR. COMBUSTIBLE FLOOR BEYOND HEARTH MUST BE PROTECTED BY NON-COMBUSTIBLE FLOOR MATERIAL EXTENDING 405 mm / 16 in. TO THE FIRING SIDE (E) AND 200 mm / 8 in. TO THE OTHER SIDES (F) OF THE UNIT.
- DO NOT REMOVE BRICKS OR MORTAR FROM MASONRY FIREPLACE
- DO NOT CONNECT THIS UNIT TO A CHIMNEY SERVING ANOTHER APPLIANCE
- COMPONENTS REQUIRED FOR INSTALLATION: FULL FLUE LINER OR DIRECT FLUE CONNECTION ASSEMBLY.
- OPTIONAL COMPONENTS: FAN KIT, ELECTRICAL RATING 115V, 60HZ, 1 AMP.
- DANGER: RISK OF ELECTRICAL SHOCK. DISCONNECT POWER BEFORE SERVICING UNIT.
- ROUTE CORD AWAY FROM UNIT.
- FOR USE WITH SOLID WOOD FUEL ONLY. DO NOT USE GRATE OR ELEVATE FIRE. BUILD WOOD FIRE DIRECTLY ON HEARTH.
- OPERATE WITH FEED DOOR CLOSED. OPEN TO FEED FIRE ONLY.
- REPLACE GLASS ONLY WITH CERAMIC GLASS.
- INSPECT AND CLEAN CHIMNEY FREQUENTLY. UNDER CERTAIN CONDITIONS OF USE, CREOSOTE BUILDUP MAY OCCUR RAPIDLY.



CAUTION

HOT WHILE IN OPERATION. DO NOT TOUCH. KEEP CHILDREN, CLOTHING AND FURNITURE AWAY. CONTACT MAY CAUSE SKIN BURNS. SEE NAMEPLATE AND INSTRUCTIONS.



MANUFACTURED BY:
PACIFIC ENERGY FIREPLACE PRODUCTS LTD.
P.O. BOX 1060, DUNCAN, BC V9L 3Y2

U.S. ENVIRONMENTAL PROTECTION AGENCY
CERTIFIED TO COMPLY WITH JULY, 1990
PARTICULATE EMISSION STANDARDS

DATE OF MANUFACTURE

J	F	M	A	M	J	J	A	S	O	N	D
2001		2002		2003		2004		2005		2006	

MADE IN CANADA

050401

5050.731

VINC-1



PACIFIC ENERGY FIREPLACE PRODUCTS LTD.

Phone: 1-877-715-2664

**Web site: <http://www.pacificenergy.net>
2975 Allenby Rd., Duncan, B.C. V9L 6V8**

Printed in Canada