



HEATRIM "RB"

Submittal

Baseboard Radiation

Specification

ENCLOSURE:

STYLE : "Model RB"

COLOR: White

FRONT: 24 Ga. Roll Formed
Prepainted Steel

BACKPLATE:

24 Ga. Roll Formed
Prepainted Steel

DAMPER VANE:

Roll Formed
Prepainted Steel

ELEMENT:

TYPE: Cu/Al Mechanically
Expanded
Flared One End

BRACKETS:

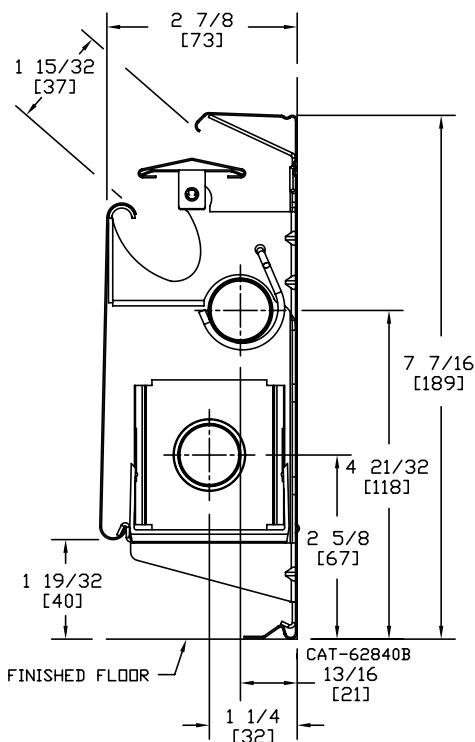
Die Formed 18 Ga.
Prepainted Steel

SLIDE SHOES:

High Temperature
Nylon Snap On

ACCESSORIES:

All overlapping with
Glove Tight Fit
Backed Enamel
Finish



NOTE: Dimensions in "[]" are shown in millimeters.

RATINGS



Model	Water Rate GPM	Water Flow Rate LB./HR.	Copper Tube Size	Average Hot Water Temperature °F - BTU/Hr./Lin. Ft.								
				140°	150°	160°	170°	180°	190°	200°	210°	220°
R-500	4	2000	1/2"	340	410	480	550	610	690	750	820	900
	1	500	Nominal	330	390	450	520	580	650	710	780	850
R-750	4	2000	3/4"	330	390	450	530	590	670	730	800	870
	1	500	Nominal	310	370	430	500	560	630	690	760	820



260 North Elm St., Westfield, MA 01085
(413) 564-5545 Fax: (413) 562-8437

PROJECT: _____ DATE: _____

LOCATION: _____

ARCHITECT: _____

ENGINEER: _____

CONTRACTOR: _____

PO NUMBER: _____

HEATRIM "RB"

Submittal

Baseboard Radiation

Specification

Furnish and install where shown on all plans/drawings, HeatRim Model RB Finned Tube Enclosure and Element as described or approved equal of both quality and BTU capacity. Ratings are to be I=B=R approved.

The baseboard panel radiator enclosure, as called out Model RB, will be manufactured from 24 gauge pre-painted bonderized C.R.S. All lateral bends are to be rolled formed to ensure continuity of all adjoining enclosures and accessories. The enclosure lengths are to be provided in 12 inch increments from 2 feet through 8 feet long and in 10 foot lengths. The front panel is to be fully engaged onto mounting brackets engaged with the back panel. Splice plate and damper joiner are to be used where two pieces of enclosure are adjoining each other in a run. These are to be included with all 5', 6' and 8' assembly packages.

All accessories will be die formed cold rolled steel and finished with a baked enamel finish. The accessories will overlap the installed enclosure and are to provide adjustment for make-up in the installed runs of enclosure. End accessories will extend to the floor. The accessories are to be enclosure height and have finger tabs that bend around the assembled board for positive securing.

The brackets are to be of a one piece, die formed construction. The material is to be 18 gauge pre-painted bonderized C.R.S. The bracket is to be self locating for vertical positioning at installation. The bottom horizontal leg is to snap into bottom bend of the enclosure and is to support the element where slide shoes are located.

All elements are to be of the mechanically expanded type to ensure that proper fin to tube bonding is maximized. Copper/Aluminum elements are to be provided with one end mechanically swaged (flared) for proper assembly.

In the interest of product improvement, we reserve the right to make changes without notice.