

# IMPERIAL 700-A1

S700-1



Submittal

Baseboard Radiation

## Specification

**ENCLOSURE:**

STYLE : "Imperial 700-A1"

COLOR: White

FRONT: 24 Ga. Roll Formed  
Prepainted Steel

**BACKPLATE:**

24 Ga. Roll Formed  
Prepainted Steel

**DAMPER VANE:**

Roll Formed  
Prepainted Steel

**ELEMENT:**

TYPE: Cu/Al Mechanically  
Expanded  
Flared One End

**BRACKETS:**

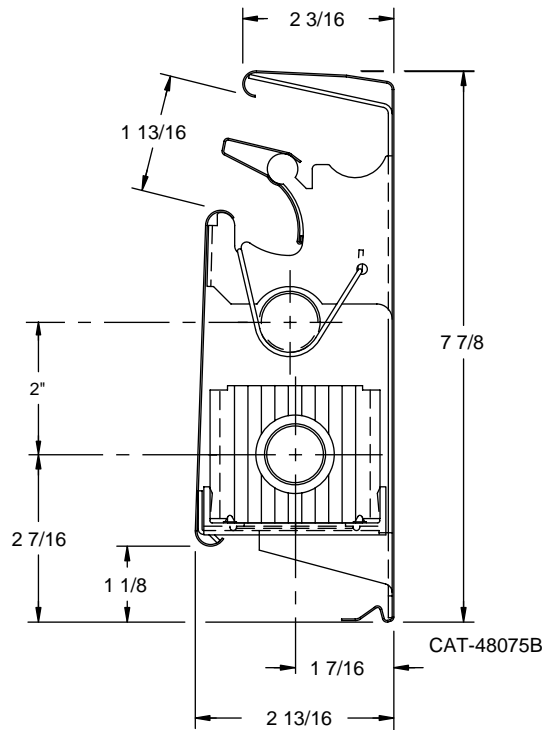
Die Formed 16 Ga.  
Prepainted Steel

**SLIDE SHOES:**

High Temperature  
Nylon Snap On

**ACCESSORIES:**

All overlapping  
with Snap On Fit  
and Baked Enamel  
Finish



**RATINGS**



Model	Water Rate GPM	Water Flow Rate LB./HR.	Tube Size	Average Hot Water Temperature °F - BTU/Hr./Lin. Ft.										
				150°	160°	170°	180°	190°	200°	210°	215°	220°	230°	240°
700-A1 1/2"	4	2000	1/2"	410	480	550	610	680	740	810	840	880	950	1010
	1	500		390	450	520	580	640	700	770	800	830	900	960
700-A1 3/4"	4	2000	3/4"	390	450	530	590	660	730	790	820	860	930	990
	1	500		370	430	500	560	620	690	750	780	810	880	940



260 North Elm St., Westfield, MA 01085  
(413) 564-5545 Fax: (413) 562-8437

A MESTEK COMPANY

PROJECT: \_\_\_\_\_ DATE: \_\_\_\_\_

LOCATION: \_\_\_\_\_

ARCHITECT: \_\_\_\_\_

ENGINEER: \_\_\_\_\_

CONTRACTOR: \_\_\_\_\_

PO NUMBER: \_\_\_\_\_

# IMPERIAL 700-A1

*Submittal*

Baseboard Radiation

## Specification

Furnish and install where shown on all plans/drawings, Suntemp Imperial 700A Finned Tube Enclosure and Element as described or approved equal of both quality and BTU capacity. Ratings are to be I=B=R approved.

The baseboard panel radiator enclosure, as called out Imperial 700A, will be manufactured from 24 gauge pre-painted bonderized C.R.S. All lateral bends are to be roll formed to ensure continuity of all adjoining enclosures and accessories. The enclosure lengths are to be provided in 12 inch increments from 2 feet through 14 feet long. The front panel is to be fully engaged onto mounting brackets engaged with the back panel. Splice plate and damper joiner are to be used where two pieces of enclosure are adjoining each other in a run. These are to be included with all 5', 6' and 8' assembly packages.

All accessories will be die formed cold rolled steel and finished with a baked enamel finish. The accessories will overlap the installed enclosure and are to provide adjustment for make-up in the installed runs of enclosure. The accessories will extend to the floor. The accessories are to be enclosure height.

The brackets are to be of a one piece, die formed construction. The material is to be 16 gauge pre-painted bonderized C.R.S. The bracket is to be self locating for vertical positioning at installation. The bottom horizontal leg is to snap into bottom bend of the enclosure and is to support the element where slide shoes are located.

All elements are to be of the mechanically expanded type to ensure that proper fin to tube bonding is maximized. Copper/ Aluminum elements are to be provided with one end mechanically swaged (flared) for proper assembly.

In the interest of product improvement, we reserve the right to make changes without notice.