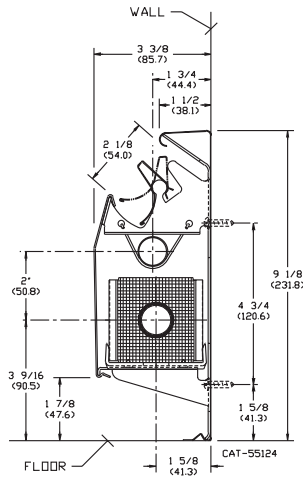


HEATRIM PLUS



HIGH CAPACITY BASEBOARD RADIATION

DIMENSIONS



NOTE: Dimensions in (") are shown in millimeters

RATINGS

MODEL	GPM	AVERAGE HOT WATER TEMPERATURE °F - BTU/HR./LIN. FT.								
		140°	150°	160°	170°	180°	190°	200°	210°	220°
3/4"	4	470	560	650	750	850	940	1040	1140	1240
	1	445	530	620	710	800	890	980	1080	1170
1"	4	455	540	630	730	820	920	1010	1120	1220
	1	430	510	600	690	780	870	960	1060	1150

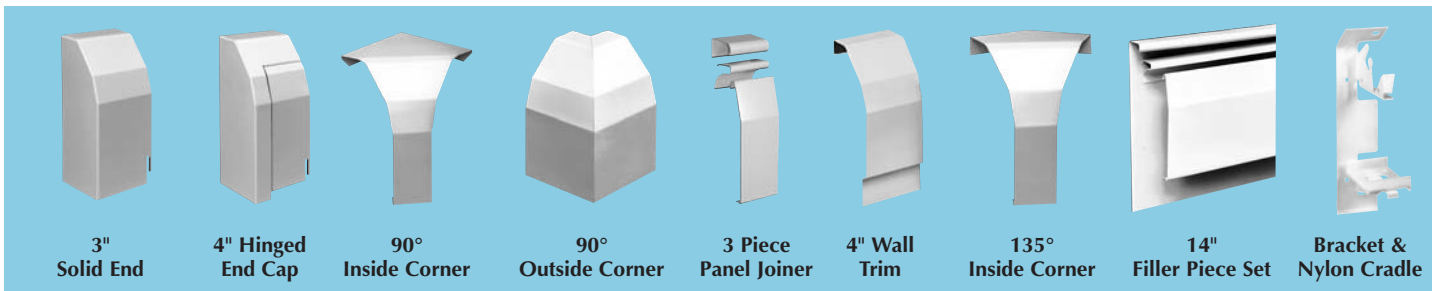
Correction Factors

If the calculated water flow rate through a baseboard is greater than the standard flow rate (1 GPM), the rating of that unit may be increased by multiplying the standard water rating at 1 GPM by the factor shown for the actual flow rate. All ratings based on 65°F entering air temperature.

G.P.M.	HEAT OUTPUT		PRES. DROP. (Millinches/Ft.)	
	FACTOR	3/4" ELEMENT	1" ELEMENT	
1.0	1.000	47	13	
1.5	1.016	96	26	
2.0	1.028	157	43	
2.5	1.038	230	63	
3.0	1.045	320	87	

G.P.M.	HEAT OUTPUT		PRES. DROP. (Millinches/Ft.)	
	FACTOR	3/4" ELEMENT	1" ELEMENT	
3.5	1.051	420	114	
4.0	1.057	525	145	
4.5	1.062	650	178	
5.0	1.067	775	216	
6.0	1.074	1060	290	

ACCESSORIES



PACKAGING

COMPLETE UNIT (3/4" TUBE)	COMPLETE UNIT (1" TUBE)	ENCLOSURE ONLY	ELEMENT ONLY (3/4" TUBE)	ELEMENT ONLY (1" TUBE)	LENGTH	NO. OF ELEMENT BRACKETS
HTPCU75-8	HTPCU100-8	HTPCO-8	HTP-E75-8	HTP-E100-8	8'	4
HTPCU75-7	HTPCU100-7	HTPCO-7	HTP-E75-7	HTP-E100-7	7'	4
HTPCU75-6	HTPCU100-6	HTPCO-6	HTP-E75-6	HTP-E100-6	6'	3
HTPCU75-5	HTPCU100-5	HTPCO-5	HTP-E75-5	HTP-E100-5	5'	3
HTPCU75-4	HTPCU100-4	HTPCO-4	HTP-E75-4	HTP-E100-4	4'	2
HTPCU75-3	HTPCU100-3	HTPCO-3	HTP-E75-3	HTP-E100-3	3'	2
HTPCU75-2	HTPCU100-2	HTPCO-2	HTP-E75-2	HTP-E100-2	2'	2

Standard assembly includes one length each of back panel, 18 GA. front panel, damper, 3/4" or 1" element, plus required support brackets and element slide cradles. Joining piece set included with lengths of 5', 6' and 8' assemblies.

STANDARD ACCESSORIES

CATALOG NUMBER	DESCRIPTION	QTY.	CATALOG NUMBER	DESCRIPTION	QTY.	CATALOG NUMBER	DESCRIPTION	QTY.
HTP-REC	4" Hinged End Cap, Right	12	HTP-ICB	135° Inside Corner	AO	HTP-BR	Support Bracket & Nylon Cradle	AO
HTP-LEC	4" Hinged End Cap, Left	12	HTP-OC	90° Outside Corner	10	HTP-STH	Supply Tubing Lower Hanger	AO
HTP-3REC	3" Solid End Cap, Right	10	HTP-OCB	135° Outside Corner	AO	HTP-RTH	Return Tubing Upper Hanger	AO
HTP-3LEC	3" Solid End Cap, Left	10	HTP-WJ	4" Wall Trim To Floor	12	HTP-TUP	Touch-Up Spray Paint	6
HTP-4REC	4" Solid End Cap, Right	8	HTP-PJ3	2" Panel Joiner (3 pcs.)	12	HTP-ESC	Element Slide Cradle	12
HTP-4LEC	4" Solid End Cap, Left	8	HTP-FIS	14" Filler Piece Set (3 pcs.)	AO			
HTP-IC	90° Inside Corner	12						

NOTE: AO = Quantity As Ordered