

FG7S (C and L Series)

High Efficiency / Direct Vent
or Non Direct Vent

Condensing Upflow/Horizontal and
Downflow Gas Furnaces
Induced Draft - 92.1 AFUE
Input 38,000 - 120,000 Btuh

The high efficiency upflow gas furnace may be installed free standing in a utility room, basement, or enclosed in an alcove or closet. Upflow/horizontal units come ready for upflow or horizontal application. The extended flush jacket provides a pleasing "appliance appearance." Design certified by CSA for application in Canada and the United States.



WARRANTY

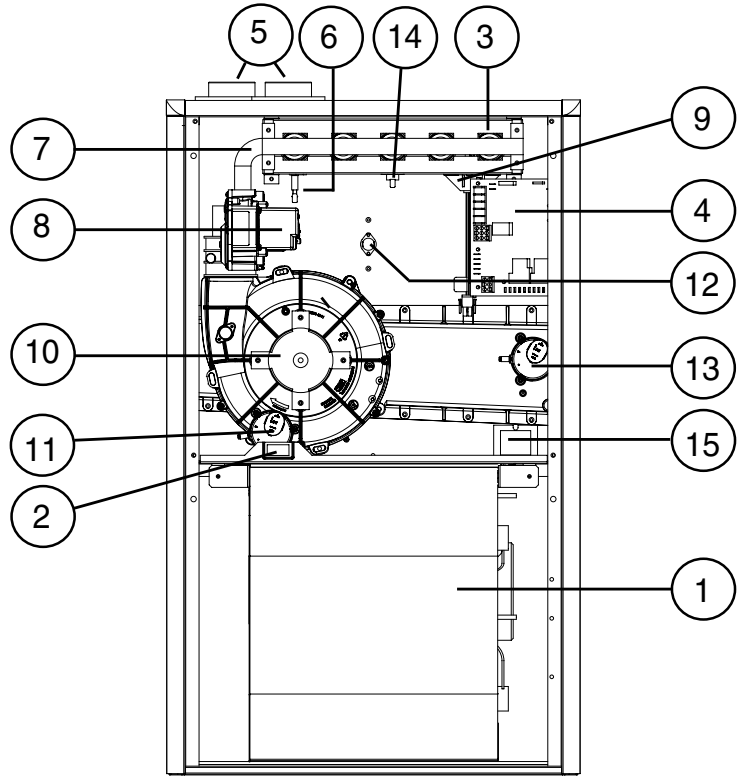
- 10-year all-parts warranty.
- 10 Year Quality Pledge to replace the unit if the heat exchanger fails within the first 10 years of operation, to the original owner.
- Consumer product registration required for 10 year All Parts Warranty and Quality Pledge within a limited period of time after the installation. See current warranty document or visit our consumer web site listed on the back of this document for warranty details.
- When registered, this product is upgraded to a limited lifetime heat exchanger warranty.

FEATURES and BENEFITS

- **100% fired and tested** — All units and each component are tested on the manufacturing line.
- **Best packaging in the industry** — Unique corner post design assures product will arrive to the homeowner dent free.
- **30 second blower delay** at start-up assures a warm duct temperature at furnace start-up. Adjustable blower off settings (60, 90, 120 and 180 seconds).
- **30 second post purge** increases life of heat exchanger.
- **Hot surface igniter** — Innovative application of a silicon nitride type igniter. Utilizes proven Smartlite® technology.
- **Color coded wire harness** — Designed to fit the components, all with quick-connect fittings for ease of service and replacement.
- **Flexible category IV venting system** — May be vertically or horizontally vented using either a one-pipe or two-pipe system for maximum flexibility in installation.
- **High Static Blowers** — All models equipped with high static blowers.
- **Low Boy Height** — Easy to apply in low ceiling applications, works well with taller high SEER coils, easier to handle and install.
- **Tubular primary heat exchanger** — Heavy gauge aluminized steel heat exchanger and stainless steel secondary heat exchanger assures a long life.
- **90 second fixed cooling cycle blower-off delay (TDR)** increases cooling performance when matched with a NORDYNE coil.
- **High efficiency blower kits** maximize efficiencies. On select units, a SEER improvement of up to 1 point is realized.
- **Multi-speed direct drive blower** — Designed to give a wide range of cooling capacities. Switches on PCB, provide ultra easy motor speed selection.
- **LP convertible** — Simple burner orifice and regulator spring change for ease of convertibility.
- **Diagnostic lights for easy troubleshooting without counting flashes** — Dedicated light for flame signal strength and 2 lights in combination to indicate all other fault codes with easy to recognize states without counting flashes.
- **Incorporates integrated control board** with connections for electronic air cleaner and humidifier.
- **Two piece door design** enhances furnace appearance and uses captured screws to prevent losing door screws.
- **Blower Compartment** — Sealed door to reduce air leakage and insulated for ultra quiet operation.
- **Sealed Vestibule** reduces burner and inducer sound levels.

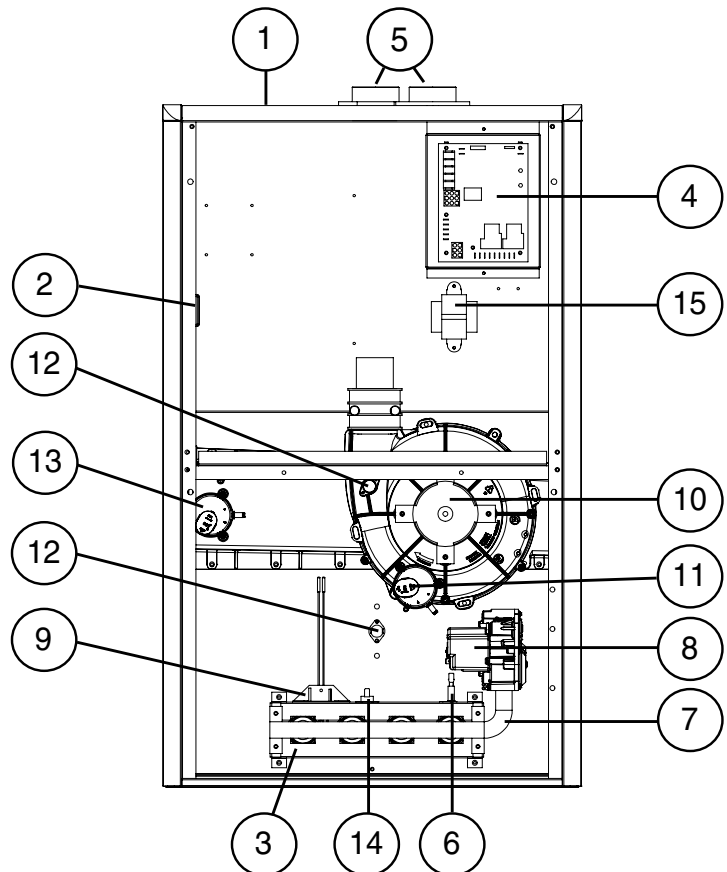
GAS FURNACE COMPONENTS

| ITEM | COMPONENT NAME |
|------|---|
| 1. | Blower Assembly |
| 2. | Blower Door Switch |
| 3. | Burner Assembly |
| 4. | Control Board |
| 5. | Finish Flanges |
| 6. | Flame Sensor |
| 7. | Gas Manifold |
| 8. | Gas Valve |
| 9. | Igniter |
| 10. | Inducer Assembly |
| 11. | Limit Switch |
| 12. | Main Air Limit Switch |
| 13. | Pressure Switch(s) (*B*, *C*, & *D* cabinets only) |
| 14. | Roll-Out Switch(s) |
| 15. | Transformer |



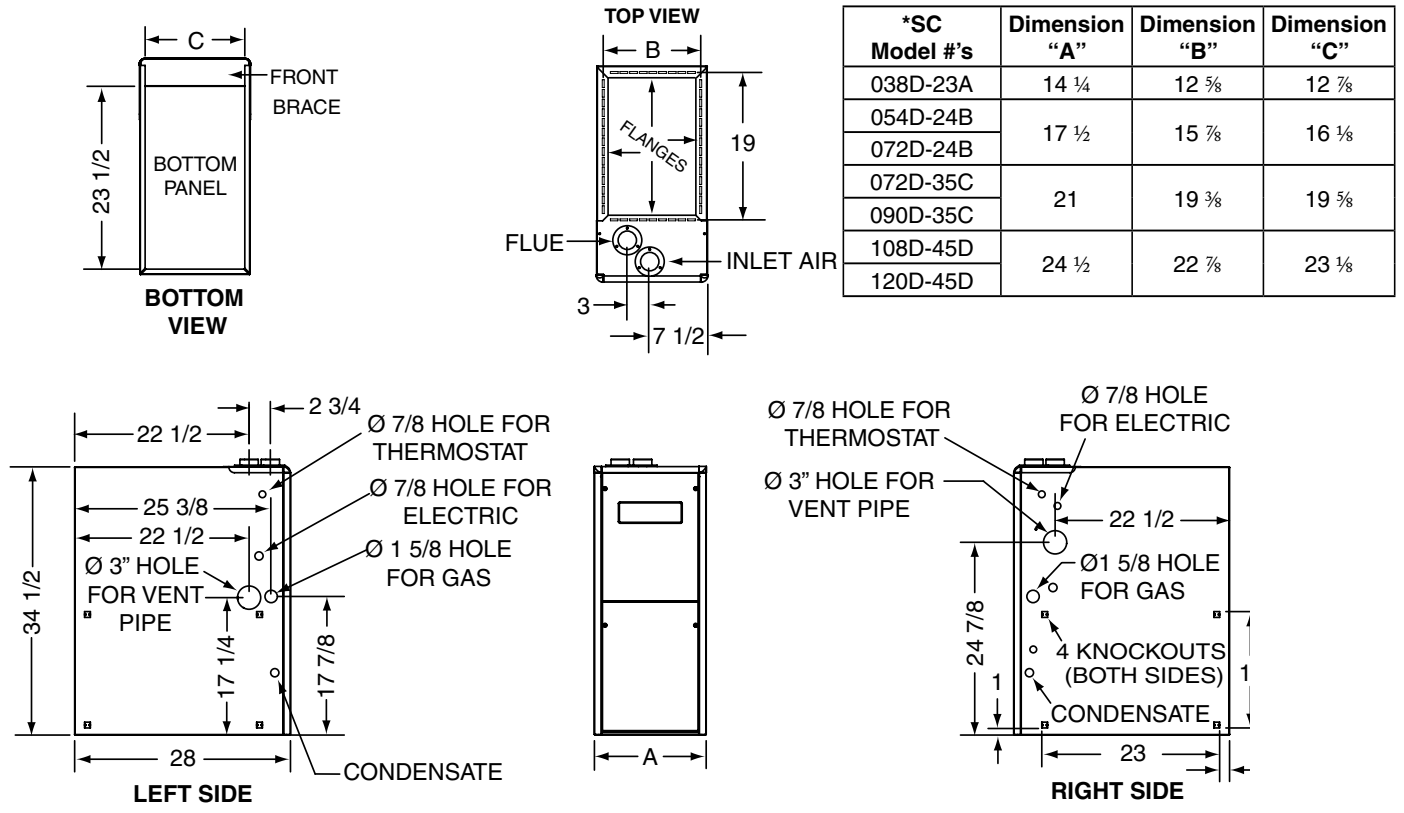
Upflow/Horizontal Gas Furnace

| ITEM | COMPONENT NAME |
|------|---|
| 1. | Blower Assembly |
| 2. | Blower Door Switch (behind blower panel) |
| 3. | Burner Assembly |
| 4. | Control Board |
| 5. | Finish Flanges |
| 6. | Flame Sensor |
| 7. | Gas Manifold |
| 8. | Gas Valve |
| 9. | Igniter |
| 10. | Inducer Assembly |
| 11. | Inducer Pressure Switch |
| 12. | Limit Switch(s) |
| 13. | Pressure Switch |
| 14. | Roll-Out Switch(s) |
| 15. | Transformer |

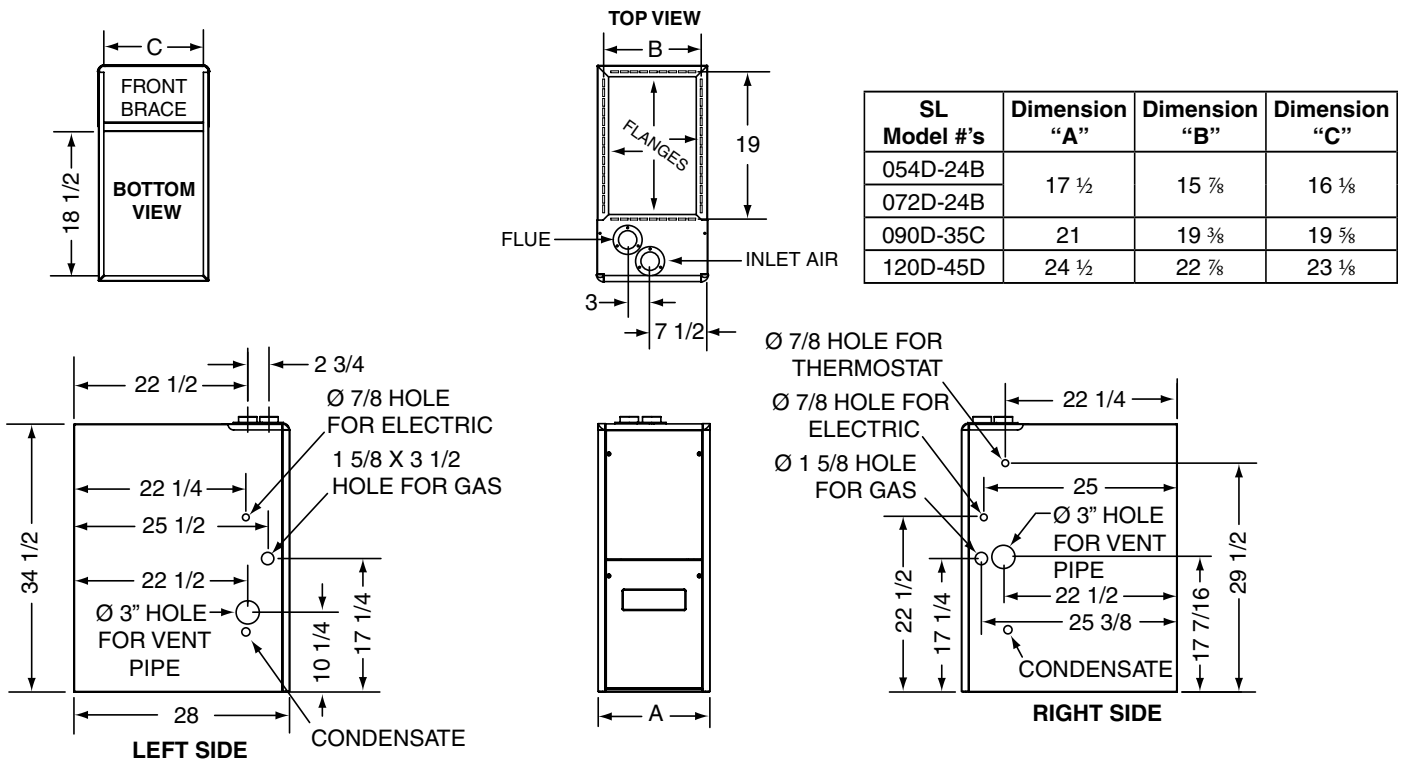


Downflow Gas Furnace

DIMENSIONS

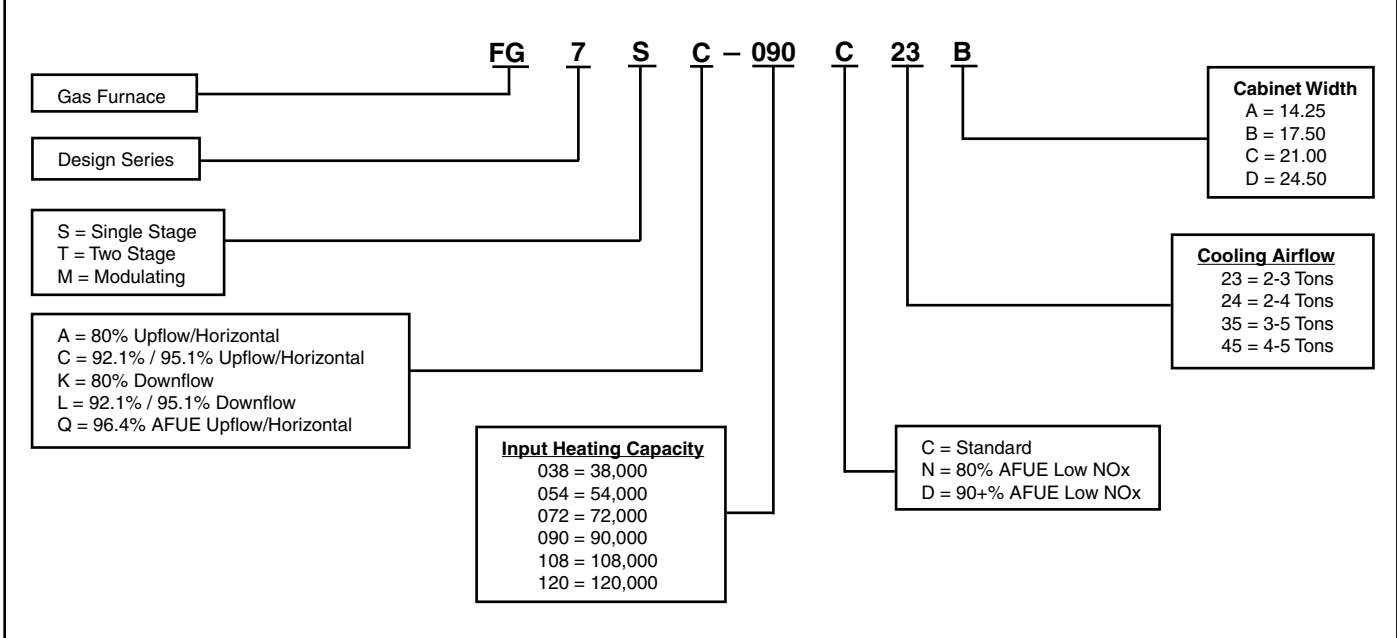


FG7SC 90+ High Efficiency Upflow/Horizontal Series



FG7SL 90+ High Efficiency Downflow Series

MODEL IDENTIFICATION CODE



SPECIFICATIONS

| FG7SC MODEL NUMBERS: | -038D-23A | -054D-24B | -072D-24B | -072D-35C | -090D-35C | -108D-45D | -120D-45D |
|-----------------------------|------------------|------------------|------------------|------------------|------------------|------------------|------------------|
| Input - Btuh (a) | 38,000 | 54,000 | 72,000 | 72,000 | 90,000 | 108,000 | 120,000 |
| Heating Capacity - Btuh | 35,000 | 49,700 | 66,000 | 66,000 | 82,800 | 99,000 | 110,400 |
| AFUE | 92.1 | 92.1 | 92.1 | 92.1 | 92.1 | 92.1 | 92.1 |
| Blower D x W | 10 x 6 | 11 x 8 | 11 x 8 | 10 x 10 | 11 x 10 | 11 x 10 | 11 x 10 |
| Motor H.P. - Speed - Type | 1/3 - 4 - PSC | 1/2 - 4 - PSC | 1/2 - 4 - PSC | 1/2 - 4 - PSC | 1.0 - 4 - PSC | 1.0 - 4 - PSC | 1.0 - 4 - PSC |
| Motor FLA | 4.80 | 8.20 | 8.20 | 7.50 | 13.75 | 13.75 | 13.75 |
| Rated Ext. SP - In. W.C. | 0.5 | 0.5 | 0.5 | 0.5 | 0.5 | 0.5 | 0.5 |
| Temperature Rise Range - °F | 30-60 | 30-60 | 35-65 | 35-65 | 35-65 | 40-70 | 40-70 |
| Shipping Weights | 100lbs | 120lbs | 125lbs | 130lbs | 135lbs | 155lbs | 155lbs |

| FG7SL MODEL NUMBERS: | -054D-24B | -072D-24B | -090D-35C | -120D-45D |
|-----------------------------|------------------|------------------|------------------|------------------|
| Input - Btuh (a) | 54,000 | 72,000 | 90,000 | 120,000 |
| Heating Capacity - Btuh | 49,700 | 66,000 | 82,800 | 110,400 |
| AFUE | 92.1 | 92.1 | 92.1 | 92.1 |
| Blower D x W | 11 x 8 | 11 x 8 | 10 x 10 | 11 x 10 |
| Motor H.P. - Speed - Type | 1/2 - 4 - PSC | 1/2 - 4 - PSC | 1.0 - 4 - PSC | 1.0 - 4 - PSC |
| Motor FLA | 8.20 | 8.20 | 7.50 | 13.75 |
| Rated Ext. SP - In. W.C. | 0.5 | 0.5 | 0.5 | 0.5 |
| Temperature Rise Range - °F | 30-60 | 35-65 | 35-65 | 40-70 |
| Shipping Weights | 120lbs | 125lbs | 135lbs | 155lbs |

Note: All models are 115V, 60 Hz. Gas Connections are 1/2" N.P.T. AFUE = Annual Fuel Utilization Efficiency
 (a) Ratings to 2,000 ft. Over 2,000 ft. reduce 4% for each 1,000 ft. above sea level.

BLOWER PERFORMANCE - FG7SC

| Model Number | Heating Input (Btuh) | Motor Speed | External Static Pressure (Inches Water Column) | | | | | | | | | | | | | | | |
|--|----------------------|-------------|--|------|------|------|------|------|------|------|------|------|------|------|------|------|------|------|
| | | | 0.1 | | 0.2 | | 0.3 | | 0.4 | | 0.5 | | 0.6 | | 0.7 | | 0.8 | |
| | | | CFM | Rise | CFM | Rise | CFM | Rise | CFM | Rise | CFM | Rise | CFM | Rise | CFM | Rise | CFM | Rise |
| SC038-23A Bottom Return | 38,000 | High* | 1245 | 26 | 1200 | 27 | 1150 | 28 | 1100 | 29 | 1050 | 31 | 985 | 33 | 920 | 35 | 865 | 37 |
| | | Med-High | 1115 | 29 | 1075 | 30 | 1030 | 31 | 990 | 33 | 935 | 35 | 880 | 37 | 815 | 40 | 740 | 44 |
| | | Med-Low** | 785 | 41 | 770 | 42 | 745 | 43 | 720 | 45 | 680 | 48 | 640 | 51 | 595 | 54 | 530 | 61 |
| | | Low | 645 | 50 | 630 | 51 | 610 | 53 | 580 | 56 | 555 | 58 | 525 | 62 | 480 | 67 | 420 | 77 |
| SC038-23A Side Return | 38,000 | High* | 1330 | 24 | 1285 | 25 | 1230 | 26 | 1175 | 28 | 1125 | 29 | 1055 | 31 | 985 | 33 | 925 | 35 |
| | | Med-High | 1195 | 27 | 1150 | 28 | 1100 | 29 | 1060 | 31 | 1000 | 32 | 940 | 34 | 875 | 37 | 790 | 41 |
| | | Med-Low** | 840 | 39 | 825 | 39 | 800 | 40 | 770 | 42 | 730 | 44 | 685 | 47 | 640 | 51 | 560 | 58 |
| | | Low | 680 | 48 | 675 | 48 | 655 | 49 | 620 | 52 | 600 | 54 | 560 | 58 | 515 | 63 | 450 | 72 |
| SC054-24B Bottom Return | 54,000 | High* | 1550 | 30 | 1520 | 30 | 1485 | 31 | 1450 | 32 | 1410 | 33 | 1360 | 34 | 1300 | 35 | 1255 | 37 |
| | | Med-High | 1250 | 37 | 1220 | 38 | 1200 | 38 | 1170 | 39 | 1140 | 40 | 1105 | 42 | 1065 | 43 | 1010 | 46 |
| | | Med-Low** | 935 | 49 | 910 | 51 | 880 | 52 | 850 | 54 | 815 | 56 | 785 | 59 | 735 | 63 | 680 | 68 |
| | | Low | 720 | 64 | 690 | 67 | 655 | 70 | 620 | 74 | 585 | 79 | 550 | 84 | 520 | 88 | 485 | 95 |
| SC054D-24B Side Return | 54,000 | High* | 1630 | 28 | 1595 | 29 | 1560 | 29 | 1525 | 30 | 1480 | 31 | 1430 | 32 | 1365 | 34 | 1320 | 35 |
| | | Med-High | 1315 | 35 | 1280 | 36 | 1260 | 37 | 1230 | 37 | 1200 | 38 | 1160 | 40 | 1120 | 41 | 1060 | 43 |
| | | Med-Low** | 980 | 47 | 955 | 48 | 925 | 50 | 890 | 52 | 855 | 54 | 825 | 56 | 775 | 59 | 715 | 64 |
| | | Low | 755 | 61 | 725 | 63 | 690 | 67 | 650 | 71 | 615 | 75 | 580 | 79 | 545 | 84 | 510 | 90 |
| SC072D-24B Bottom Return | 72,000 | High* | 1590 | 39 | 1550 | 40 | 1525 | 40 | 1475 | 42 | 1425 | 43 | 1380 | 44 | 1325 | 46 | 1240 | 49 |
| | | Med-High** | 1260 | 49 | 1240 | 49 | 1220 | 50 | 1185 | 52 | 1160 | 53 | 1110 | 55 | 1085 | 57 | 1030 | 60 |
| | | Med-Low | 1125 | 55 | 1110 | 55 | 1085 | 57 | 1050 | 58 | 1025 | 60 | 990 | 62 | 940 | 65 | 865 | 71 |
| | | Low | 895 | 69 | 865 | 71 | 830 | 74 | 795 | 77 | 775 | 79 | 750 | 82 | 693 | 89 | 665 | 92 |
| SC072D-24B Side Return | 72,000 | High* | 1670 | 37 | 1630 | 38 | 1600 | 38 | 1550 | 40 | 1495 | 41 | 1450 | 42 | 1390 | 44 | 1300 | 47 |
| | | Med-High** | 1325 | 46 | 1300 | 47 | 1280 | 48 | 1245 | 49 | 1220 | 50 | 1165 | 53 | 1140 | 54 | 1080 | 57 |
| | | Med-Low | 1180 | 52 | 1165 | 53 | 1140 | 54 | 1100 | 56 | 1075 | 57 | 1040 | 59 | 985 | 62 | 910 | 67 |
| | | Low | 940 | 65 | 910 | 67 | 870 | 70 | 935 | 66 | 815 | 75 | 790 | 78 | 730 | 84 | 640 | 96 |
| SC072D-35C Bottom Return | 72,000 | High* | 1895 | 32 | 1790 | 34 | 1720 | 36 | 1630 | 38 | 1550 | 40 | 1445 | 42 | 1330 | 46 | 1225 | 50 |
| | | Med-High** | 1775 | 35 | 1710 | 36 | 1650 | 37 | 1550 | 40 | 1470 | 42 | 1385 | 44 | 1290 | 48 | 1180 | 52 |
| | | Med-Low | 1255 | 49 | 1200 | 51 | 1155 | 53 | 1105 | 56 | 1050 | 58 | 1000 | 61 | 925 | 66 | 830 | 74 |
| | | Low | 1140 | 54 | 1100 | 56 | 1065 | 58 | 1025 | 60 | 980 | 63 | 930 | 66 | 870 | 70 | 805 | 76 |
| SC072D-35C Side Return | 72,000 | High* | 1970 | 31 | 1865 | 33 | 1780 | 34 | 1695 | 36 | 1615 | 38 | 1505 | 41 | 1385 | 44 | 1275 | 48 |
| | | Med-High** | 1845 | 33 | 1780 | 34 | 1715 | 36 | 1615 | 38 | 1530 | 40 | 1440 | 43 | 1340 | 46 | 1230 | 50 |
| | | Med-Low | 1305 | 47 | 1250 | 49 | 1200 | 51 | 1150 | 53 | 1090 | 56 | 1040 | 59 | 965 | 64 | 865 | 71 |
| | | Low | 1185 | 52 | 1145 | 54 | 1110 | 55 | 1065 | 58 | 1020 | 60 | 965 | 64 | 905 | 68 | 840 | 73 |
| SC072D-35C Side + Bottom or 2 Sides | 72,000 | High* | 1990 | 31 | 1880 | 33 | 1805 | 34 | 1710 | 36 | 1630 | 38 | 1510 | 41 | 1400 | 44 | 1285 | 48 |
| | | Med-High** | 1865 | 33 | 1795 | 34 | 1735 | 35 | 1630 | 38 | 1545 | 40 | 1455 | 42 | 1355 | 45 | 1240 | 49 |
| | | Med-Low | 1320 | 46 | 1260 | 49 | 1215 | 50 | 1160 | 53 | 1105 | 56 | 1050 | 58 | 970 | 63 | 875 | 70 |
| | | Low | 1200 | 51 | 1155 | 53 | 1120 | 55 | 1075 | 57 | 1030 | 60 | 975 | 63 | 915 | 67 | 845 | 73 |
| SC090D-35C Bottom Return | 90,000 | High* | 2155 | 36 | 2090 | 37 | 2015 | 38 | 1960 | 39 | 1910 | 40 | 1835 | 42 | 1755 | 44 | 1660 | 46 |
| | | Med-High** | 2015 | 38 | 1960 | 39 | 1920 | 40 | 1860 | 41 | 1805 | 42 | 1755 | 44 | 1695 | 45 | 1615 | 47 |
| | | Med-Low | 1705 | 45 | 1675 | 46 | 1640 | 47 | 1590 | 48 | 1555 | 49 | 1495 | 51 | 1435 | 53 | 1340 | 57 |
| | | Low | 1410 | 54 | 1390 | 55 | 1365 | 56 | 1330 | 58 | 1310 | 59 | 1275 | 60 | 1235 | 62 | 1210 | 63 |
| SC090D-35C Side Return | 90,000 | High* | 2240 | 34 | 2175 | 35 | 2100 | 37 | 2040 | 38 | 1985 | 39 | 1910 | 40 | 1825 | 42 | 1725 | 44 |
| | | Med-High** | 2095 | 37 | 2040 | 38 | 2000 | 38 | 1935 | 40 | 1875 | 41 | 1825 | 42 | 1765 | 43 | 1680 | 46 |
| | | Med-Low | 1775 | 43 | 1740 | 44 | 1705 | 45 | 1655 | 46 | 1615 | 47 | 1555 | 49 | 1490 | 51 | 1335 | 57 |
| | | Low | 1465 | 52 | 1445 | 53 | 1420 | 54 | 1385 | 55 | 1360 | 56 | 1325 | 58 | 1285 | 60 | 1260 | 61 |
| SC090D-35C Side + Bottom or 2 Sides | 90,000 | High* | 2265 | 34 | 2195 | 35 | 2115 | 36 | 2060 | 37 | 2005 | 38 | 1930 | 40 | 1845 | 42 | 1745 | 44 |
| | | Med-High** | 2115 | 36 | 2060 | 37 | 2015 | 38 | 1955 | 39 | 1895 | 40 | 1845 | 42 | 1780 | 43 | 1695 | 45 |
| | | Med-Low | 1790 | 43 | 1760 | 44 | 1725 | 44 | 1670 | 46 | 1635 | 47 | 1570 | 49 | 1510 | 51 | 1410 | 54 |
| | | Low | 1480 | 52 | 1460 | 53 | 1435 | 53 | 1400 | 55 | 1375 | 56 | 1340 | 57 | 1300 | 59 | 1270 | 60 |
| SC108D-45D Bottom only or 2 openings | 108,000 | High* | 2135 | 43 | 2095 | 44 | 2040 | 45 | 1975 | 47 | 1910 | 48 | 1840 | 50 | 1735 | 53 | 1675 | 55 |
| | | Med-High** | 2000 | 46 | 1955 | 47 | 1900 | 48 | 1845 | 50 | 1800 | 51 | 1735 | 53 | 1665 | 55 | 1570 | 59 |
| | | Med-Low | 1665 | 55 | 1660 | 55 | 1625 | 57 | 1590 | 58 | 1530 | 60 | 1500 | 61 | 1415 | 65 | 1340 | 69 |
| | | Low | 1385 | 66 | 1360 | 68 | 1310 | 70 | 1300 | 71 | 1275 | 72 | 1250 | 74 | 1200 | 77 | 1150 | 80 |
| SC108D-45D Side Return | 108,000 | High* | 2115 | 43 | 2075 | 44 | 2020 | 46 | 1955 | 47 | 1890 | 49 | 1822 | 50 | 1720 | 53 | 1660 | 55 |
| | | Med-High** | 1980 | 46 | 1935 | 48 | 1880 | 49 | 1830 | 50 | 1780 | 52 | 1720 | 53 | 1650 | 56 | 1555 | 59 |
| | | Med-Low | 1650 | 56 | 1645 | 56 | 1610 | 57 | 1575 | 58 | 1515 | 61 | 1485 | 62 | 1400 | 66 | 1330 | 69 |
| | | Low | 1370 | 67 | 1345 | 68 | 1300 | 71 | 1290 | 71 | 1260 | 73 | 1240 | 74 | 1190 | 77 | 1140 | 81 |
| SC120D-45D Bottom only or 2 openings | 120,000 | High* | 2135 | 48 | 2095 | 49 | 2040 | 50 | 1975 | 52 | 1910 | 54 | 1840 | 56 | 1735 | 59 | 1675 | 61 |
| | | Med-High** | 2000 | 51 | 1955 | 52 | 1900 | 54 | 1845 | 55 | 1800 | 57 | 1735 | 59 | 1665 | 61 | 1570 | 65 |
| | | Med-Low | 1665 | 61 | 1660 | 62 | 1625 | 63 | 1590 | 64 | 1530 | 67 | 1500 | 68 | 1415 | 72 | 1340 | 76 |
| | | Low | 1385 | 74 | 1360 | 75 | 1310 | 78 | 1300 | 79 | 1275 | 80 | 1250 | 82 | 1200 | 85 | 1150 | 89 |
| SC120D-45D Side Return | 120,000 | High* | 2115 | 48 | 2075 | 49 | 2020 | 51 | 1955 | 52 | 1890 | 54 | 1822 | 56 | 1720 | 59 | 1660 | 62 |
| | | Med-High** | 1980 | 52 | 1935 | 53 | 1880 | 54 | 1830 | 56 | 1780 | 57 | 1720 | 59 | 1650 | 62 | 1555 | 66 |
| | | Med-Low | 1650 | 62 | 1645 | 62 | 1610 | 63 | 1575 | 65 | 1515 | 67 | 1485 | 69 | 1400 | 73 | 1330 | 77 |
| | | Low | 1370 | 75 | 1345 | 76 | 1300 | 79 | 1290 | 79 | 1260 | 81 | 1240 | 82 | 1190 | 86 | 1140 | 90 |

* Factory Set Cooling Speed
** Factory Set Heating Speed

NOTE: 1. 2 openings are recommended for airflows above 1600 CFM if filter(s) is(are) adjacent to furnace.
2. Temperature rises in the table are approximate. Actual temperature rises may vary.
3. Temperature rises shaded grey are for reference only. These conditions are not recommended.

| Model Number | Heating Input (Btuh) | Motor Speed | External Static Pressure (Inches Water Column) | | | | | | | | | | | | | | | |
|--------------|----------------------|-------------|--|------|------|------|------|------|------|------|------|------|------|------|------|------|------|------|
| | | | 0.1 | | 0.2 | | 0.3 | | 0.4 | | 0.5 | | 0.6 | | 0.7 | | 0.8 | |
| | | | CFM | Rise | CFM | Rise | CFM | Rise | CFM | Rise | CFM | Rise | CFM | Rise | CFM | Rise | CFM | Rise |
| SL054D-24B | 54,000 | HIGH* | 1580 | 29 | 1550 | 30 | 1520 | 30 | 1485 | 31 | 1460 | 32 | 1425 | 32 | 1375 | 33 | 1320 | 35 |
| | | MED-HIGH | 1240 | 37 | 1230 | 37 | 1210 | 38 | 1185 | 39 | 1165 | 39 | 1135 | 41 | 1100 | 42 | 1045 | 44 |
| | | MED-LOW** | 1145 | 40 | 1120 | 41 | 1100 | 42 | 1080 | 43 | 1055 | 44 | 1030 | 45 | 985 | 47 | 940 | 49 |
| | | LOW | 895 | 51 | 870 | 53 | 850 | 54 | 825 | 56 | 800 | 58 | 770 | 60 | 740 | 62 | 715 | 64 |
| SL072D-24B | 72,000 | HIGH* | 1560 | 39 | 1530 | 40 | 1500 | 41 | 1480 | 41 | 1435 | 43 | 1400 | 44 | 1360 | 45 | 1310 | 47 |
| | | MED-HIGH** | 1245 | 49 | 1225 | 50 | 1205 | 51 | 1180 | 52 | 1150 | 53 | 1125 | 55 | 1090 | 56 | 1045 | 59 |
| | | MED-LOW | 1085 | 57 | 1070 | 57 | 1045 | 59 | 1025 | 60 | 1000 | 61 | 970 | 63 | 930 | 66 | 880 | 70 |
| | | LOW | 850 | 72 | 830 | 74 | 800 | 77 | 780 | 79 | 760 | 81 | 730 | 84 | 710 | 86 | 685 | 90 |
| SL090D-35C | 90,000 | HIGH* | 1955 | 39 | 1905 | 40 | 1835 | 42 | 1795 | 43 | 1730 | 44 | 1620 | 47 | 1545 | 50 | 1450 | 53 |
| | | MED-HIGH** | 1845 | 42 | 1790 | 43 | 1750 | 44 | 1680 | 46 | 1515 | 51 | 1540 | 50 | 1475 | 52 | 1410 | 54 |
| | | MED-LOW | 1320 | 58 | 1290 | 59 | 1250 | 61 | 1215 | 63 | 1180 | 65 | 1120 | 68 | 1050 | 73 | 970 | 79 |
| | | LOW | 1190 | 64 | 1165 | 66 | 1125 | 68 | 1080 | 71 | 1055 | 73 | 1000 | 77 | 945 | 81 | 875 | 88 |
| SL120D-45D | 120,000 | HIGH* | 2215 | 46 | 2150 | 48 | 2075 | 49 | 2035 | 50 | 1970 | 52 | 1905 | 54 | 1800 | 57 | 1745 | 59 |
| | | MED-HIGH** | 2050 | 50 | 2015 | 51 | 1955 | 52 | 1900 | 54 | 1860 | 55 | 1795 | 57 | 1720 | 59 | 1620 | 63 |
| | | MED-LOW | 1720 | 59 | 1690 | 60 | 1655 | 62 | 1640 | 62 | 1610 | 63 | 1560 | 66 | 1505 | 68 | 1465 | 70 |
| | | LOW | 1420 | 72 | 1410 | 72 | 1400 | 73 | 1365 | 75 | 1350 | 76 | 1335 | 77 | 1290 | 79 | 1260 | 81 |

* Factory Set Cooling Speed

NOTE: 1. Temperature rises in the table are approximate. Actual temperature rises may vary.

** Factory Set Heating Speed

2. Temperature rises shaded grey are for reference only. These conditions are not recommended.

VENTING

All models are approved for vertical non direct (1 pipe) and direct (2 pipe) venting applications. See Vent Table below for specified sizes and allowable lengths.

VENT TABLE

| MODELS | SINGLE PIPE LENGTH (FT.) with 1 long radius elbow* | | DIRECT VENT, DUEL PIPE LENGTH (ft.) WITH 1 long radius elbow on each pipe* | |
|--------|---|--------|--|--------------|
| | OUTLET | OUTLET | INLET/OUTLET | INLET/OUTLET |
| | 2" | 3" | 2" | 3" |
| SC038 | 50 | 70 | 60 | 80 |
| SC054 | 90 | 90 | 90 | 90 |
| SC072 | 90 | 90 | 90 | 90 |
| SC090 | 90 | 90 | 90 | 90 |
| SC108 | N/A | 90 | N/A | 90 |
| SC120 | N/A | 90 | N/A | 90 |
| SL054 | 90 | 90 | 90 | 90 |
| SL072 | 90 | 90 | 90 | 90 |
| SL090 | 70 | 90 | 70 | 90 |
| SL120 | N/A | 90 | N/A | 90 |

* NOTE:

1. Subtract 2.5 ft. for each additional 2" elbow and 3.5 ft. for each additional 3" elbow.
2. Two 45 degree elbows are equivalent to one 90 degree elbow.
3. One short radius elbow is equivalent to two long radius elbows.
4. Do not include termination elbows in calculation of vent length.
5. This table is applicable for elevations from sea level to 2000 ft. For higher elevations decrease vent pipe lengths by 8% per 1000 ft. of altitude.
6. Only the listed pipe materials are approved for use with FG7 Condensing Furnaces.

ACCESSORIES

| FG7S (C, L) KITS | |
|---|--------|
| Description | SKU |
| "A" Cabinet fixed speed, high efficiency, FSHE | 904872 |
| "B" Cabinet fixed speed, high efficiency, FSHE | 904873 |
| "C" Cabinet fixed speed, high efficiency, FSHE | 904874 |
| "D" Cabinet fixed speed, high efficiency, FSHE | 904875 |
| "A" Cabinet variable speed, high efficiency, VSHE | 904876 |
| "B" Cabinet variable speed, high efficiency, VSHE | 904877 |
| "C" Cabinet variable speed, high efficiency, VSHE | 904878 |
| "D" Cabinet variable speed, high efficiency, VSHE | 904879 |
| 2" Concentric vent kit | 904952 |
| 3" Concentric vent kit | 904953 |
| "A" Cabinet downflow sub base kit | 902974 |
| "B", "C", "D" Cabinet downflow sub base kit | 904911 |
| 2" Side wall vent kit | 904617 |
| 3" Side wall vent kit | 904347 |
| U.S. LP Conversion kit (0 to 10,000 ft.) | 904914 |
| Canada LP Conversion kit (0 to 4,500 ft.) | 904915 |
| Bottom return filter 20 per box, "A" cabinet | 903088 |
| Bottom return filter 20 per box, "B" cabinet | 904916 |
| Bottom return filter 20 per box, "C" cabinet | 904917 |
| Bottom return filter 20 per box, "D" cabinet | 904918 |
| Side return filter kit | 541036 |
| Neutralizer kit | 902377 |



GENERAL TERMS OF LIMITED WARRANTY

NORDYNE will furnish a replacement for any part of this product which fails in normal use and service within the first ten years of installation, in accordance with the terms of the warranty.

For complete details of the Limited Warranty, including applicable terms and conditions, see your local installer or contact the NORDYNE warranty department for a copy.

www.nutonehvac.com

NORDYNE 8000 Phoenix Parkway | O'Fallon MO 63368-3827

Specifications and illustrations subject to change without notice and without incurring obligations. Printed in U.S.A.

728C-0109 (Replaces 728C-0608)