

# The BIASI B-40 Series Linear Boiler



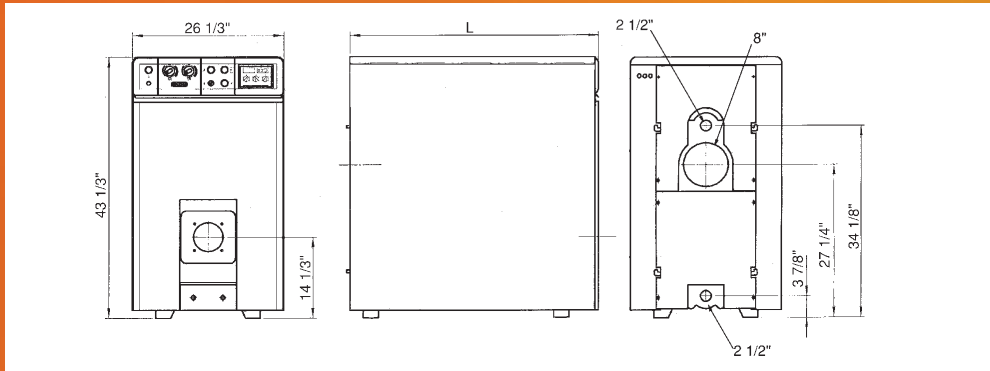
- High combustion efficiencies
- Economical, easy to clean, low maintenance
- Oil or gas burner compatible



Quincy Hydronic Technology, Inc. • 1-800-501-7697 • Email: [info@qhtinc.com](mailto:info@qhtinc.com)

# BIASI...The Style of Warmth

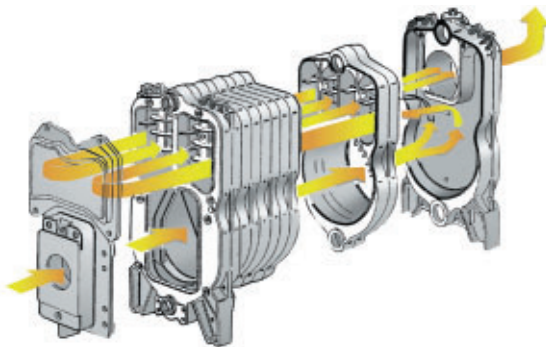
You owe it to yourself to warm up to our BIASI boiler systems. Our economical and highly efficient 3-pass design offers the flexibility of using either an oil or gas burner. Our unique GG20 cast-iron block, with its 58 PSI rating and easy access swing door, is unsurpassed in durability and efficiency, providing years of trouble-free operation. There are 7 models ranging from 265 to 783 MBH, which are well-suited for commercial or multi-unit buildings. We have tested our systems extensively to Hydronics Institute Standards. BIASI's foundry is ASME certified.



## The BIASI B-40 for Residential or Commercial Buildings

Boiler Model #	Gross Output MBH	Gross Input Burner Capacity		Net Output (MBH)	Efficiency (%)	Water Content (Gals.)	Length (L) (Inches)	Weight (Lbs.)
		G.P.H.	MBH					
B-40/6	265	2.2	308	230	86.0	17	34.8	902
B-40/7	352	2.9	406	305	86.7	20	39.5	1023
B-40/8	437	3.6	504	380	86.7	23	44.4	1144
B-40/9	524	4.3	602	456	87.0	26	49.2	1265
B-40/10	610	5.0	700	532	87.2	28	53.9	1386
B-40/11	696	5.7	798	607	87.4	31	58.8	1507
B-40/12	783	6.4	896	684	87.4	34	63.8	1628

Maximum water working pressure: 58 PSI. (1) The burner input is based on oil with a heat value of 140,000 BTU/Gal.; (2) The net output ratings shown are based on piping and pick-up allowance of 1.15; (3) The efficiency ratings are based on a combustion condition of 12.5% CO<sub>2</sub>. Warranty: Built in accordance with the requirements of ASME boiler and pressure vessel code.



### Technical Advantages

- GG 20 corrosion resistant cast-iron
- 58 psi cast-iron construction
- Easy-access swing door
- Super efficient, 3-pass flue/heat exchanger
  - Low water volume
  - Multi-fuel capability
- Extra heavy insulation for low jacket & standby losses
- ASME and IBR listed

A 3-pass boiler design is the most efficient way to get the maximum amount of heat from the boiler, as it extracts heat from three times as much interior surface area of the boiler compared to a single-pass, "pin-type" boiler design.

*The BIASI B-40's heat exchanger path is up to 15 feet, and the 3-pass design heats more surface area per gallon burned, with 25% less heat lost than pin-type boilers.*

Exclusively distributed by:



Quincy Hydronic Technology, Inc. • 1-800-501-7697 • Email: info@qhtinc.com