

HydroTherm®



VGX

Gas-fired residential steam
boilers

Models 88-288

Boiler manual
Installation and
operation instructions



AHRI
MEMBER



WARNING This manual is intended only for use by a qualified heating installer/technician. Read and follow this manual, all supplements and related instructional information provided with the boiler. Install, start and service the boiler only in the sequence and methods given in these instructions. Failure to do so can result in severe personal injury, death or substantial property damage.

WARNING **Do not use the boiler during construction.** Construction dust and particulate, particularly drywall dust, will cause contamination of the burner, resulting in possible severe personal injury, death or substantial property damage. The boiler can only be operated with a dust-free air supply. Follow the instruction manual procedures to duct air to the boiler air intake. If the boiler has been contaminated by operation with contaminated air, follow the instruction manual guidelines to clean, repair or replace the boiler if necessary.

CAUTION Affix these instructions near to the boiler/water heater. Instruct the building owner to retain the instructions for future use by a qualified service technician, and to follow all guidelines in the User's Information Manual.

INSTALLATION AND OPERATING INSTRUCTIONS

TABLE OF CONTENTS

USING THIS MANUAL	2
A. MANUAL ORGANIZATION	2
B. SPECIAL ATTENTION BOXES	2
1. PREINSTALLATION	3
A. GENERAL	3
B. CODES & REGULATIONS	3
C. ACCESSIBILITY CLEARANCES	3
D. CLEARANCE FROM COMBUSTIBLE CONSTRUCTION	3
E. AIR COMBUSTION AND VENTILATION	4
2. BOILER PLACEMENT & ASSEMBLY	7
A. PACKAGED BOILER	7
3. VENTING	7
A. CHIMNEY OR VENT	7
B. AUTOMATIC VENT DAMPER INSTALLATION – GENERAL	7
C. BOILER REMOVAL FROM COMMON VENTING SYSTEM	8
4. BOILER PIPING	9
A. STEAM BOILER PIPING – SINGLE BOILER	9
B. STEAM BOILER INDIRECT WATER HEATER PIPING	10
5. FUEL PIPING	10
A. INSTALLATION	10
B. OPERATION	10
6. CONTROLS & TRIM	12
A. STEAM BOILER CONTROLS & TRIM	12
7. ELECTRICAL	13
A. CONNECT SUPPLY WIRING	13
B. INSTALL CONTROL WIRING	13
C. WIRING DIAGRAM INDEX	13
8. BOILER OPERATION	17
A. SYSTEM INSPECTION	17
B. FILL THE BOILER (STEAM BOILERS)	17
C. LIGHTING INSTRUCTIONS	17
D. PILOT CHECK	17
E. MAIN BURNER CHECK	18
F. CONTROLS CHECK	18
G. CLEAN THE BOILER	18
H. BOILER SHUT-DOWN	19

9. MAINTENANCE	22
A. GENERAL	22
B. DAILY MAINTENANCE	22
C. WEEKLY MAINTENANCE	23
D. ANNUAL MAINTENANCE	23
E. AS REQUIRED MAINTENANCE	23

10. TROUBLESHOOTING	24
----------------------------	-----------

11. BOILER DIMENSIONS & RATINGS	27
--	-----------

12. REPAIR PARTS	29
-------------------------	-----------

USING THIS MANUAL

A. INSTRUCTION MANUALS

The Installation, Operation & Maintenance Manual is divided into four basic sections:

1. Preinstallation (Section 1)
2. Installation (Sections 2 through 8)
3. Start-Up (Section 9)
4. Maintenance (Section 10)

DANGER

Indicates a condition or hazard which will cause severe personal injury, death or major property damage.

WARNING

Indicates a condition or hazard which may cause severe personal injury, death or major property damage.

CAUTION

Indicates a condition or hazard which will or can cause minor personal injury or property damage.

NOTICE

Indicates special attention is needed, but not directly related to potential personal injury or property damage.

1. PREINSTALLATION

A. GENERAL

Boilers are supplied completely assembled as packaged boilers. All items should be inspected for damage upon receipt and any damage reported to the trucker and wholesaler. All components should be stored in a clean dry area.

Carefully read these instructions before beginning work. Understand all aspects of the installation.

This boiler must be installed by a qualified contractor. The boiler warranty may be voided if the boiler is not installed correctly.

B. CODES & REGULATIONS

1. All work should be performed in strict accordance with the requirements of state and local regulating agencies and codes dealing with boiler installations.
2. In the absence of such local requirements the following should govern.
 - a. ASME Boiler & Pressure Vessel Code, Section IV – “Heating Boilers”
 - b. ASME Boiler & Pressure Vessel Code, Section VI – “Recommended Rules for the Care and Operation of Heating Boilers”
 - c. ANSI Z223.1/NFPA 54 – “National Fuel Gas Code”
 - d. ANSI/NFPA 70 – “National Electrical Code”
 - e. ASME CSD-1 – “Controls & Safety Devices for Automatically Fired Boilers”
 - f. ANSI/NFPA 211 – “Chimneys, Fireplaces, vents, and Solid Fuel Burning Appliances”
3. Where required by the authority having jurisdiction, the installation must conform to the Standard for *Controls and Safety Devices for Automatically Fired Boilers*, ANSI/ASME CSD-1.

C. ACCESSIBILITY CLEARANCES

The following recommendations allow for reasonable access to the boiler. Local codes or special conditions may require greater clearances.

1. For servicing the boiler provide not less than 24" from the side of the boiler where limit and level controls are mounted.
2. For servicing the burners provide not less than 24" from the front of the boiler.
3. The remaining clearances should be 6" from all sides.

D. CLEARANCES FROM COMBUSTIBLE CONSTRUCTION

1. The design of this boiler is certified for alcove installation with the following clearances to combustible construction.
 - a. Sides: 6"
 - b. Top: 30"
 - c. Front: 18"
 - d. Rear: 6"
 - e. Single Wall Vent Pipe: 6"
2. All Models
 - a. Single wall vent pipe must be at least 6" away from combustible construction.
 - b. For installation on non-combustible flooring only.

WARNING

Do not install this boiler on combustible flooring. Boiler installation on combustible flooring is a fire hazard.

- c. If it is necessary to build a non-combustible floor pad on top of an existing combustible floor, construct pad as described in the Installation of Specific Equipment Chapter of National Fuel Gas Code Handbook.

WARNING

Do not install this boiler on carpeting.

INSTALLATION AND OPERATING INSTRUCTIONS

E. AIR FOR COMBUSTION AND VENTILATION

1. Adequate combustion air and ventilation air must be provided for this appliance in accordance with the section of the *National Fuel Gas Code* entitled, "Air for Combustion and Ventilation" or applicable provisions of the local building code. Subsections 2 through 8 as follows are based on the *National Fuel Gas Code* requirements.
2. **Required Combustion Air Volume:** The total required volume of indoor air is to be the sum of the required volumes for all appliances located within the space. Rooms communicating directly with the space in which the appliances are installed and through combustion air openings sized as indicated in Subsection 3 are considered part of the required volume. The required volume of indoor air is to be determined by one of two methods.

- a. **Standard Method:** The minimum required volume of indoor air (room volume) shall be 50 cubic feet per 1000 BTU/Hr (4.8 m³/kW). This method is to be used if the air infiltration rate is unknown or if the rate of air infiltration is known to be greater than 0.6 air changes per hour. As an option, this method may be used if the air infiltration rate is known to be between 0.6 and 0.4 air changes per hour. If the air infiltration rate is known to be below 0.4 then the *Known Air Infiltration Rate Method* must be used. If the building in which this appliance is to be installed is unusually tight, the manufacturer recommends that the air infiltration rate be determined.
- b. **Known Air Infiltration Rate Method:** Where the air infiltration rate of a structure is known, the minimum required volume of indoor air for appliances other than fan assisted and for the boiler shall be determined as follows:

$$\text{Required Volume}_{\text{other}} = \frac{21 \text{ ft}^3}{\text{ACH}} \left[\frac{I_{\text{other}}}{1000 \text{ Btu/hr}} \right]$$

where:

I_{other} = Input of appliances other than fan assisted in Btu/hr

ACH = air change per hour (percent of the volume of the space exchanged per hour, expressed as a decimal)

For fan assisted appliances, calculate the required volume of air using the following equation:

$$\text{Required Volume}_{\text{fan}} = \frac{15 \text{ ft}^3}{\text{ACH}} \left[\frac{I_{\text{fan}}}{1000 \text{ Btu/hr}} \right]$$

I_{fan} = Input of the fan assisted appliances in Btu/hr

Note: These calculations are not to be used for infiltration rates greater than 0.60 ACH.

3. **Indoor Air Opening Size and Location:** Openings connecting indoor spaces shall be sized and located as follows:

- a. **Combining spaces on the same floor:**
Provide two permanent openings communicating with additional spaces that have a minimum free area of 1 in² per 1000 Btu/hr (22 cm² per 1000 W) of the total input rating of all gas fired equipment but not less than 100 in² (645 cm²). One opening is to begin within 12 inches (305 mm) from the top of the space and the other is to begin within 12 inches (305 mm) from the floor. The minimum dimension of either of these openings shall be 3 inches (76 mm). See Figure 1.1 for an illustration of this arrangement.

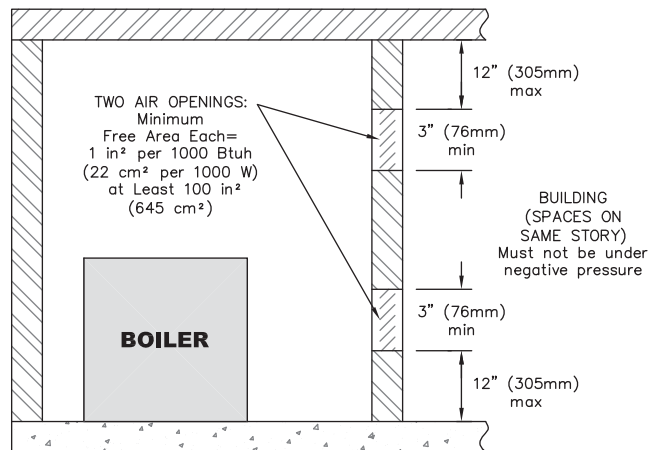


Figure 1.1: Air Openings - All Air from Indoors on the Same Floor

- b. **Combining spaces on different floors:**
Provide one or more permanent openings communicating with additional spaces that have a total minimum free area of 2 in² per 1000 Btu/hr (44 cm² per 1000 W) of total input rating of all equipment. See Figure 1.2 for an illustration of this arrangement.

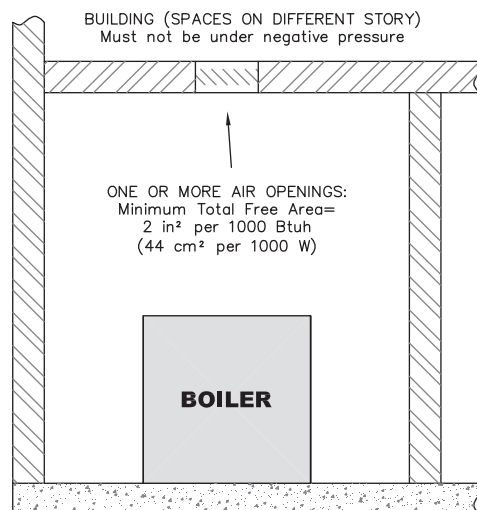


Figure 1.2: Air Openings - All Air from Indoors on Different Floors

INSTALLATION AND OPERATING INSTRUCTIONS

4. **Outdoor Combustion Air:** Outdoor combustion air is to be provided through one or two permanent openings. The minimum dimension of these air openings is 3 inches (76 mm).

a. **Two Permanent Opening Method:** Provide two permanent openings. One opening is to begin within 12 inches (305 mm) of the top of the space and the other is to begin within 12 inches (305 mm) of the floor. The openings are to communicate directly or by ducts with the outdoors or with spaces that freely communicate with the outdoors. The size of the openings shall be determined as follows:

i. Where communicating directly or through vertical ducts with the outdoors each opening shall have a minimum free area of 1 in² per 4000 Btu/hr (22 cm² per 4000 W) of total input rating for all equipment in the space. See Figure 1.3 for openings directly communicating with the outdoors or Figure 1.4 for openings connected by ducts to the outdoors.

ii. Where communicating with the outdoors through horizontal ducts, each opening shall have a minimum free area of 1 in² per 2000 Btu/hr (22 cm² per 2000 W) of total rated input for all appliances in the space. See Figure 1.5.

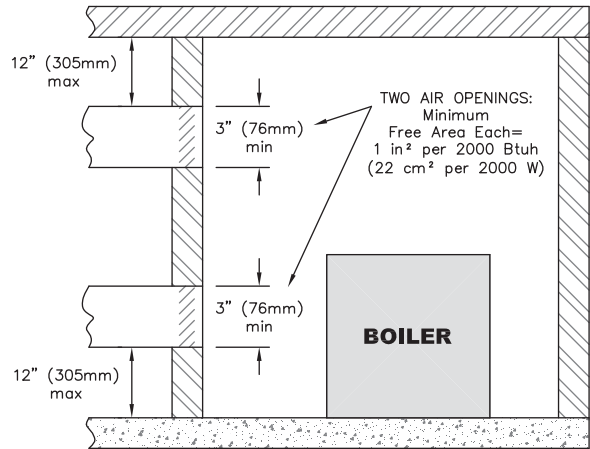


Figure 1.5: Air Openings – All Air from Outdoors through Horizontal Ducts

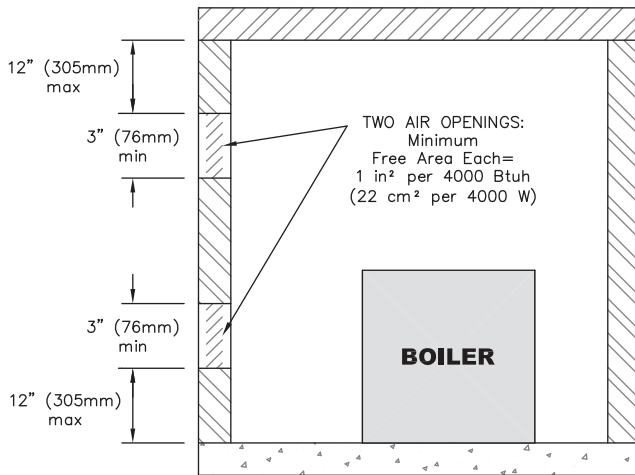


Figure 1.3: Air Openings – All Air Directly from Outdoors

b. **One Permanent Opening Method:** Provide one permanent opening beginning within 12 inches (305 mm) of the top of the space. The opening shall communicate directly with the outdoors, communicate through a vertical or horizontal duct, or communicate with a space that freely communicates with the outdoors. The opening shall have a minimum free area of 1 in² per 3000 Btu/hr of total rated input for all appliances in the space and not less than the sum of the cross-sectional areas of all vent connectors in the space. The gas-fired equipment shall have clearances of at least 1 inch (25 mm) from the sides and back and 6 inches (150 mm) from the front of the appliance. See Figure 1.6 for this arrangement.

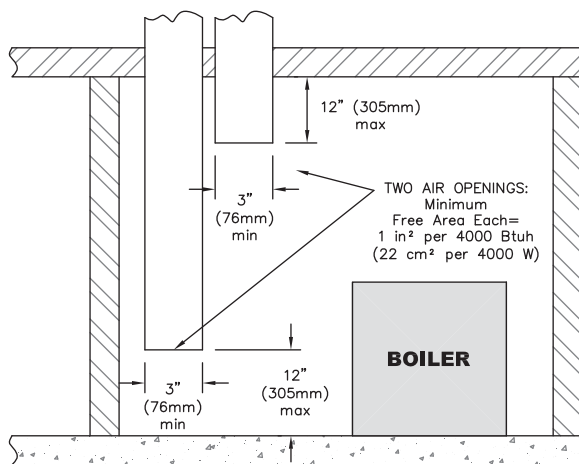


Figure 1.4: Air Openings – All Air from Outdoors through Vertical Ducts

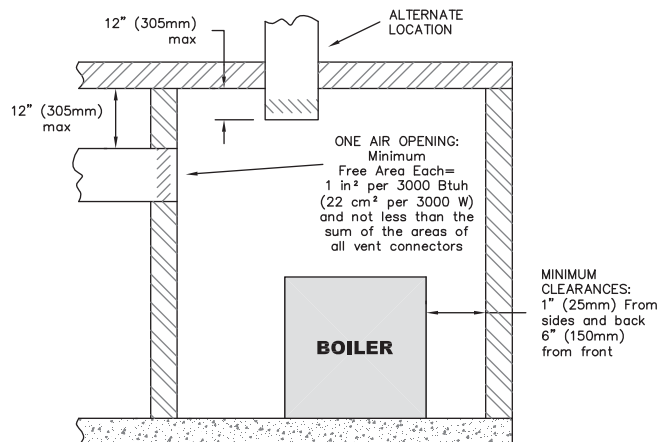


Figure 1.6: Air Openings – All Air from Outdoors through One Opening

INSTALLATION AND OPERATING INSTRUCTIONS

5. Combination Indoor and Outdoor Combustion Air: If the required volume of indoor air exceeds the available indoor air volume, outdoor air openings or ducts may be used to supplement the available indoor air provided:

- a. The size and location of the indoor openings comply with Subsection 3.
- b. The outdoor openings are to be located in accordance with Subsection 4.
- c. The size of the outdoor openings are to be sized as follows:

$$A_{req} = A_{full} \times \left[1 - \frac{V_{avail}}{V_{req}} \right]$$

where:

A_{req} = minimum area of outdoor openings.

A_{full} = full size of outdoor openings calculated in accordance with Subsection 4.

V_{avail} = available indoor air volume

V_{req} = required indoor air volume

6. Engineered Installations: Engineered combustion air installations shall provide an adequate supply of combustion, ventilation, and dilution air and shall be approved by the authority having jurisdiction.

7. Mechanical Combustion Air Supply:

- a. In installations where all combustion air is provided by a mechanical air supply system, the combustion air shall be supplied from the outdoors at the minimum rate of 0.35 ft³/min per 1000 Btu/hr (0.034 m³/min per 1000 W) of the total rated input of all appliances in the space.
- b. In installations where exhaust fans are installed, additional air shall be provided to replace the exhaust air.
- c. Each of the appliances served shall be interlocked to the mechanical air supply to prevent main burner operation when the mechanical air supply system is not in operation.
- d. In buildings where the combustion air is provided by the mechanical ventilation system, the system shall provide the specified combustion air rate in addition to the required ventilation air.

8. Louvers & Grills:

- a. The required size of openings for combustion, ventilation, and dilution air shall be based on the net free area of each opening.
 - i. Where the free area through a louver or grille is known, it shall be used in calculating the opening size required to provide the free area specified.

- ii. Where the free area through a louver or grille is not known, it shall be assumed that wooden louvers will have 25% free area and metal louvers and grilles will have 75% free area.

- iii. Nonmotorized dampers shall be fixed in the open position.

- b. Motorized dampers shall be interlocked with the equipment so that they are proven in the full open position prior to ignition and during operation of the main burner.

- i. The interlock shall prevent the main burner from igniting if the damper fails to open during burner startup.

- ii. The interlock shall shut down the burner if the damper closes during burner operation.

9. Combustion Air Ducts

- a. Ducts shall be constructed of galvanized steel or an equivalent corrosion-resistant material.
- b. Ducts shall terminate in an unobstructed space, allowing free movement of combustion air to the appliances.
- c. Ducts shall serve a single space.
- d. Ducts shall not serve both upper and lower combustion air openings where both such openings are used. The separation between ducts serving upper and lower combustion air openings shall be maintained to the source of combustion air.
- e. Ducts shall not be screened where terminating in an attic space.
- f. Horizontal upper combustion air ducts shall not slope downward toward the source of the combustion air.
- g. The remaining space surrounding a chimney liner, gas vent, special gas vent, or plastic piping installed within a masonry, metal, or factory built chimney shall not be used to supply combustion air.
- h. Combustion air intake openings located on the exterior of buildings shall have the lowest side of the combustion air intake opening at least 12 inches (305 mm) above grade.

WARNING

Liquefied Petroleum (LP) is heavier than air and may collect or "pool" in a low area in the event of a leak from defective equipment. This gas may then ignite, resulting in a fire or explosion.

2. BOILER PLACEMENT & ASSEMBLY

A. PACKAGED BOILER

1. Remove the crate top and sides and remove any loose cartons.
2. Lift the boiler from the crate pallet. Move the boiler to the location determined in Chapter 1: Pre-installation.

⚠ NOTICE

Be careful not to damage the burner tray when removing the boiler from the pallet. If necessary, remove the burner tray before moving the boiler.

3. Proceed to Chapter 3: Venting.

3. VENTING

A. CHIMNEY OR VENT

1. Inspect the existing chimney or vent system. Make sure it is in good condition. Inspect chimney liner and repair or replace if necessary.
2. The vent system and installation must be in accordance with Venting of Equipment chapter of the current edition of the *National Fuel Gas Code*, ANSI Z223.1/NFPA 54, or applicable provisions of the local building codes.
3. Chimney/Vent Operation: The vent system must be sized and installed to provide the draft needed to remove all combustion products. If the vent system does not provide enough draft, combustion products will spill into the building from the draft hood relief opening. If spillage of combustion products occurs, check the vent system, the combustion and ventilation openings and make sure the boiler room is never under negative pressure.

⚠ WARNING

Failure to provide adequate venting can result in severe personal injury or death.

4. Vent Connection to Boiler:
 - a. Support the weight of the vent system independently of the boiler draft hood. The draft hood is not designed to carry structural loading.
 - b. Provide support of the vent connector (breaching) at maximum 12 foot intervals to prevent sagging and to provide a minimum upward slope of 1/4" per foot.
 - c. Do not connect the vent for this boiler into any vent system which operates with positive pressure.

- d. The vent connector must be single wall steel or Type B double wall vent pipe. The vent connector must be Type B double wall if it is located in or passes through cold areas. The vent connector must extend into, but not beyond, the inside wall of the chimney.

B. AUTOMATIC VENT DAMPER INSTALLATION – GENERAL

1. Do not use one vent damper to control two or more heating appliances. See Figure 3.1.

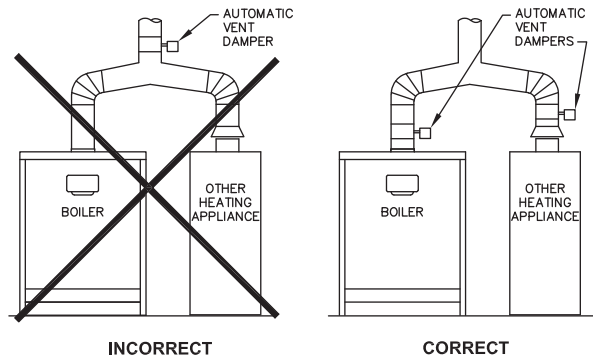


Figure 3.1: Venting Multiple Appliances

2. Follow these and the installation instructions included with the vent damper. Observe the cautions and warnings that accompany all instructions.
3. Provide minimum 6 inch (152 mm) clearance between automatic vent damper and combustible construction. Increase clearance if required by vent damper manufacturer's instructions. Provide adequate space for vent damper access and service.

INSTALLATION AND OPERATING INSTRUCTIONS

4. The automatic vent damper can be mounted directly onto the draft hood outlet or in vent piping close to the boiler.

See Figure 3.2 for installation with vent damper mounted in vertical position. See Figure 3.3 for installation with vent damper mounted in horizontal position. Mount the unit to avoid excessive heat on the operator or condensation drips into the operator.

- a. Orient the vent damper operator to facilitate connection of the vent damper harness to knockout on right side of boiler.
- b. Orient vent damper direction arrow in direction of vent gas flow. Direction arrow must be visible from front of boiler.

CAUTION

Damper must be in open position when appliance main burner is operating.

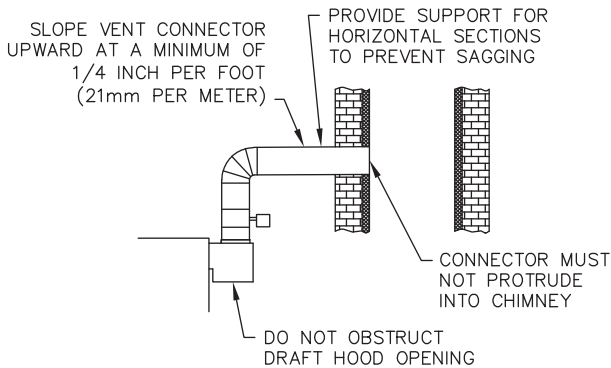


Figure 3.2: Venting with Vent Damper in Vertical Position

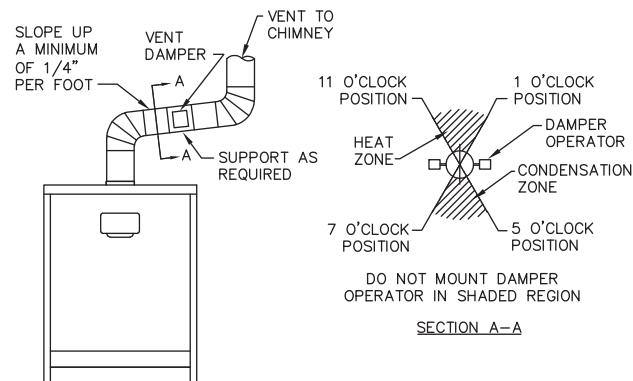


Figure 3.3: Venting with Vent Damper in Horizontal Position

C. BOILER REMOVAL FROM COMMON VENTING SYSTEM

When an existing boiler is removed from a common venting system, the common venting system is likely to be too large for proper venting of the remaining appliances connected to it.

At the time of removal of an existing boiler, follow these steps with each appliance remaining connected to the common venting system placed in operation, while the other appliances remaining connected to the common venting system are not in operation:

- a. Seal any unused openings in the common venting system.
- b. Visually inspect the venting system for proper size and horizontal pitch and determine there is no blockage or restriction, leakage, corrosion and other deficiencies which could cause an unsafe condition.
- c. Insofar as is practical, close all building doors and windows and all doors between the space in which the appliances remaining connected to the common venting system are located and other spaces of the building. Turn on any clothes dryers and any appliance not connected to common venting system. Turn on any exhaust fans, such as range hoods and bathroom exhausts, so they will operate at maximum speed. Do not operate a summer exhaust fan. Close fireplace dampers.
- d. Place in operation the appliance being inspected. Follow the lighting instructions. Adjust thermostat so appliance will operate continuously.
- e. Test for spillage at the draft hood relief opening after 5 minutes of main burner operation. Use the flame of a match or candle, or smoke from a cigarette, cigar, or pipe.
- f. After it has been determined that each appliance remaining connected to the common venting system properly vents when tested as outlined above, return doors, windows, exhaust fans, fireplace dampers and any other gas-burning appliance to their previous conditions of use.
- g. Any improper operation of the common venting system should be corrected so that the installation conforms with the *National Fuel Gas Code*, ANSI Z223.1/NFPA 54 or CAN/CGA B149 Installation Codes. When resizing any portion of the common venting system, the common venting system should be resized to approach minimum size as determined using the appropriate tables located in the chapter "Sizing of Category I Venting Systems," of the *National Fuel Gas Code*, ANSI Z223.1/NFPA 54 or CAN/CGA B149 Installation codes.

4. BOILER PIPING

A. STEAM BOILER PIPING – SINGLE BOILERS

1. Install steam supply pipes as shown in Figure 4.1. The minimum quantity and size of supply pipes are indicated in Table 4.1.

Use Threaded Fittings for Manifold Piping

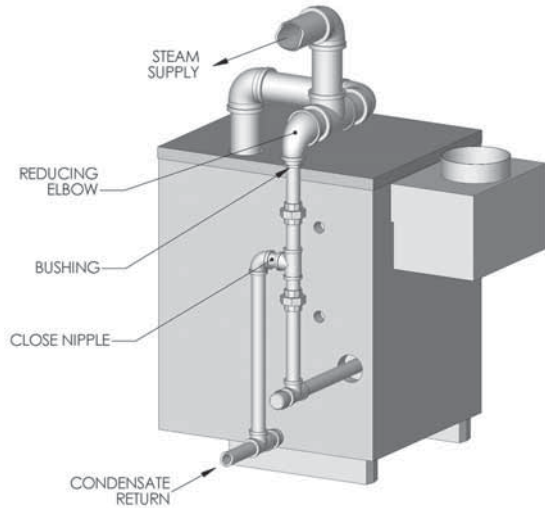


Figure 4.1: Steam Piping – Single Supply Connection

3. Use threaded fittings for manifold piping to provide flexibility for thermal expansion.
4. Connect the equalizing line as shown in Figure 4.1 assuring that the reducing elbow is facing down and that any bushings are vertical to prevent water build-up in the steam header.
5. The use of a Hartford Loop in all installations is recommended to ensure reliability of the system. A check is required on the pump discharge of all pumped return systems.
6. On pumped return systems, install a globe valve after the pump to allow throttling of the pump discharge. The pressure downstream of the boiler cock should be no more than 5 psig above the boiler operating pressure.

⚠ NOTICE

Always locate the steam supply take-off of the main header between the equalizer and the last boiler supply riser. Locating the steam supply between the risers will cause a bullhead tee and cause water carryover into the system.

7. Pipe the Hartford Loop such that the top of the close nipple is 2 to 4 inches below the boiler normal water line.
8. If the boiler feed pump discharge piping is elevated at any point above the boiler water line, install spring-loaded check valves at both the pump discharge and at the connection to the boiler.

⚠ NOTICE

Use swing joints to attach to the header to avoid damage to the boiler due to thermal expansion and contraction of steam header pipe.

2. Pipe the steam header a minimum of 24" above the normal water line using swing joints to attach the risers into the steam header.

⚠ NOTICE

- Do not use bushings or concentric reducers in the horizontal header piping. This will prevent water from dropping into the equalizer and cause water carryover into the steam piping.
- Do not reduce the size or number of steam supply risers below the minimum shown in Table 4.1. Insufficient or undersized risers can cause damage to the boiler.
- Do not use a bullhead tee to provide steam supply to the system. This will cause water carryover into the steam piping.

Table 4.1: Steam Supply and Header Pipe Sizing

Boiler Model	Number of Supply Connections	Supply Size (NPS)	Header Size (NPS)	Equalizer Size (NPS)	Evaporation Rate (GPM)
88	1	2	2	1-1/4	0.11
118	1	2	2	1-1/4	0.15
147	1	2-1/2	2-1/2	1-1/4	0.19
	2*	2*			
177	1	2-1/2	2-1/2	1-1/4	0.23
	2*	2*			
206	1	3	3	1-1/4	0.27
	2*	2*			
236	1	3	3	1-1/4	0.31
	2*	2*			
288	1	3	3	1-1/4	0.37
	2*	2-1/2*			

*Dual supplies may be used in lieu of larger single supply.

INSTALLATION AND OPERATING INSTRUCTIONS

B. STEAM BOILER INDIRECT WATER HEATER PIPING

1. See Figure 4.2 for typical installation.
2. Install Boiler Water Temperature Limit Control in 1" Tee on supply connection (same side of boiler as low water cut-off). Set Limit at 160°F to avoid steam generation during periods when only the domestic water is calling for heat.
3. Install circulator and strainer in supply piping. Install check valve to prevent gravity circulation.

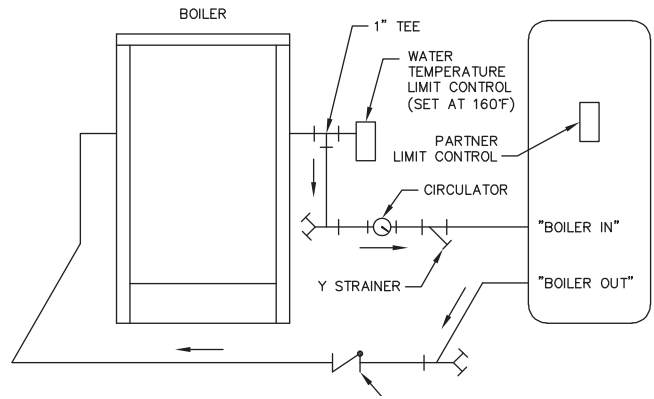


Figure 4.2: Typical Steam Boiler Indirect Water Heater Piping

⚠ NOTICE

Maintain water level near normal water line to avoid steam generation during periods when only the domestic water is calling for heat.

Tank performance reduced when supplied by steam boiler.

5. FUEL PIPING

A. INSTALLATION

1. Pipe gas to the boiler in accordance with local codes. In the absence of local regulations refer to the *National Fuel Gas Code*, ANSI Z223.1/NFPA 54.
2. Size and install the gas supply piping to provide a supply of gas sufficient to meet the maximum demand of all appliances without excessive pressure drop.
3. The rate of gas to be provided to the boiler can be determined by:

$$CFH = \frac{\text{Boiler Input (BTU/HR)}}{\text{Gas Heating Value (BTU/FT}^3\text{)}}$$

Obtain the gas heating value of the gas from the gas supplier. As an alternative use Table 5.1.

4. Table 5.2 shows the maximum flow capacity of several pipe sizes based on 0.3 inches of water pressure drop. These values are based on a specific gravity of 0.60. Apply the factors indicated in Table 5.3 for gas with specific gravity other than 0.60 to obtain corrected capacities.

Table 5.1: Gas Input & Valve Inlet

Model	Gas Input ¹ (CFH)		Gas Valve Inlet ² (NPT)	
	Nat. Gas	LP Gas	Nat. Gas	LP Gas
88	88.5	35.4	1/2"	1/2"
118	118.0	47.2		
147	147.5	59.0		
177	177.0	70.8		
206	206.5	82.6	3/4"	3/4"
236	236.0	94.4		
288	287.5	115.0		

1. Natural Gas Based on 1000 Btu./Cubic Foot, LP Gas Based on 2500 Btu./Cubic Foot.
 2. See instructions for sizing gas supply piping.

Table 5.2: Maximum Capacity of Pipe in CFH for a Pressure Drop of 0.3" of Water

Based on Specific Gravity of 0.60					
Pipe Length (Feet)	1/2" Pipe	3/4" Pipe	1" Pipe	1-1/4" Pipe	1-1/2" Pipe
10	132	278	520	1,050	1,600
20	92	190	350	730	1,100
30	73	152	285	590	890
40	63	130	245	500	760
50	56	115	215	440	670
60	50	105	195	400	610

Table 5.3: Maximum Capacity Correction Factors Specific Gravity other than 0.60

Specific Gravity	0.50	0.55	0.60	0.65	0.70	0.75
Correction Factor	1.10	1.04	1.00	0.96	0.93	0.90
Specific Gravity	0.80	0.85	0.90	1.00	1.10	1.20
Correction Factor	0.87	0.84	0.82	0.78	0.74	0.71
Specific Gravity	1.30	1.40	1.50	1.60	1.70	1.80
Correction Factor	0.68	0.66	0.63	0.61	0.59	0.58

INSTALLATION AND OPERATING INSTRUCTIONS

B. OPERATION

1. Assure that the gas supply pressure to the boiler is regulated to 1/2 psi or less (approx. 13.5 inches of water).
2. Install a service valve, sediment trap, and ground joint union at the gas supply connection as shown in Figure 5.1.

CAUTION

Use a pipe joint sealing compound that is resistant to the action of liquefied petroleum gas. A non-resistant compound may lose sealing ability in the presence of this gas, resulting in a gas leak and fire or explosion potential.

3. Check piping for leaks. Use an approved gas detector or a non-corrosive leak detection fluid. If leaks are found, turn off all gas supply to the appliance and repair as necessary.
4. The boiler and its individual shut off valve must be disconnected from the gas supply piping system during any pressure testing of that system at test pressures in excess of 1/2 psi (3.5kPa).

The boiler must be isolated from the gas supply piping system by closing its individual manual shut off valve during any pressure testing of the gas supply piping system at test pressures equal to or less than 1/2 psi (3.5 kPa).

CAUTION

Do not subject the boiler gas valve to pressure in excess of 1/2 psi (3.5 kPa). Doing so may damage the valve.

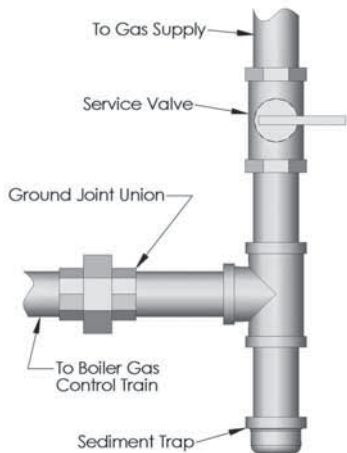


Figure 5.1

5. Refer to table 5.4 for minimum supply pressure for the purpose of input adjustment.

Table 5.4: Minimum Supply Pressure Natural Gas

Model	Supply Pressure (in. Water)
88	5.00
118	5.00
147	5.00
177	5.35
206	5.00
236	5.00
288	5.56

6. Install the boiler such that the gas ignition system components are protected from water (dripping, spraying, rain, etc.) during appliance operation and service (circulator replacement, condensate trap clean out, control replacement, etc.)
7. The boiler and its gas connection must be leak tested before placing the boiler in operation.
8. Typical gas train manifold is illustrated in Figure 5.2.

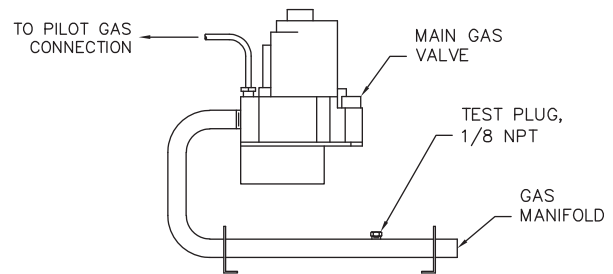


Figure 5.2: Gas Train Manifold

6. CONTROLS & TRIM

A. STEAM BOILER CONTROLS & TRIM

1. Safety Valve:
 - a. Pipe the boiler safety valve provided into the 3/4" tapping on the left side of the boiler as shown in Figure 6.1. Be sure that the relief valve is sized in accordance with local code requirements. In addition, be sure that the safety valve is designed constructed and stamped in accordance with the ASME Boiler and Pressure Vessel Code, Section IV.

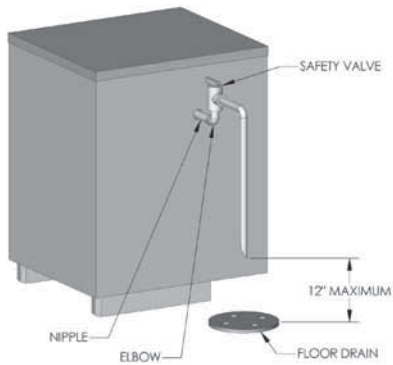


Figure 6.1

- b. If it is necessary to use a boiler relief valve larger than 3/4" due to local codes, the relief valve should be piped in the boiler skim tapping. **Do not increase the pipe size between the boiler and the valve.**

CAUTION

Do not install any valves or restrictions between the relief valve and the boiler. Be sure that the inlet to the relief valve is the same or smaller pipe size than the boiler connection.

- c. Pipe the discharge of the safety valve to a maximum of 12" from the floor. Pipe the outlet close to a floor drain.

CAUTION

Pipe the discharge of the relief valve away from any traffic area. Failure to do this may cause injury if the valve discharges.

CAUTION

Pipe the discharge of the relief valve using the full size of the discharge connection.

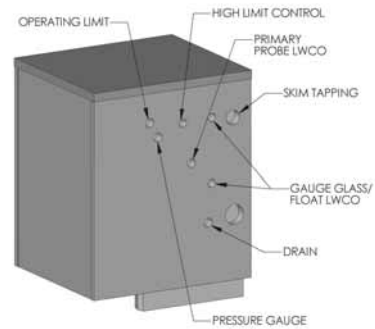


Figure 6.2: Steam Boiler Tapping Location

7. ELECTRICAL

A. CONNECT SUPPLY WIRING

1. All electrical wiring must be done in accordance with local codes. In the absence of local codes use ANSI/NFPA 70 "The National Electrical Code."

CAUTION

Label all wires prior to disconnection when servicing controls. Wiring errors can cause improper and dangerous operation. Verify proper operation after servicing.

2. The boiler must be electrically bonded to ground in accordance with the requirements of the authority having jurisdiction or, in the absence of such requirements, with the *National Electrical Code*, ANSI/NFPA 70 and/or the *Canadian Electrical Code* Part 1, CSA C22.1, Electrical Code.
3. The boiler is to be connected to a separate, permanently live electrical supply line with a fused disconnect switch.

B. INSTALL CONTROL WIRING

1. Install all line voltage wiring in approved electrical conduit.
2. Do not install single pole switches, including safety controls, in the neutral leg.

C. WIRING DIAGRAM INDEX

Table 7.1: Wiring Diagram Index - Steam Boilers w/Probe LWCO

	BTU Input						
	88.5	118.5	147.5	177	206.5	236	287.5
Standing Pilot, Natural Gas	Fig. 7.2						
Standing Pilot, LP Gas	Fig. 7.2						
Spark Ignition, Natural Gas	Fig 7.3						
Spark Ignition, LP Gas	Fig. 7.3						

INSTALLATION AND OPERATING INSTRUCTIONS

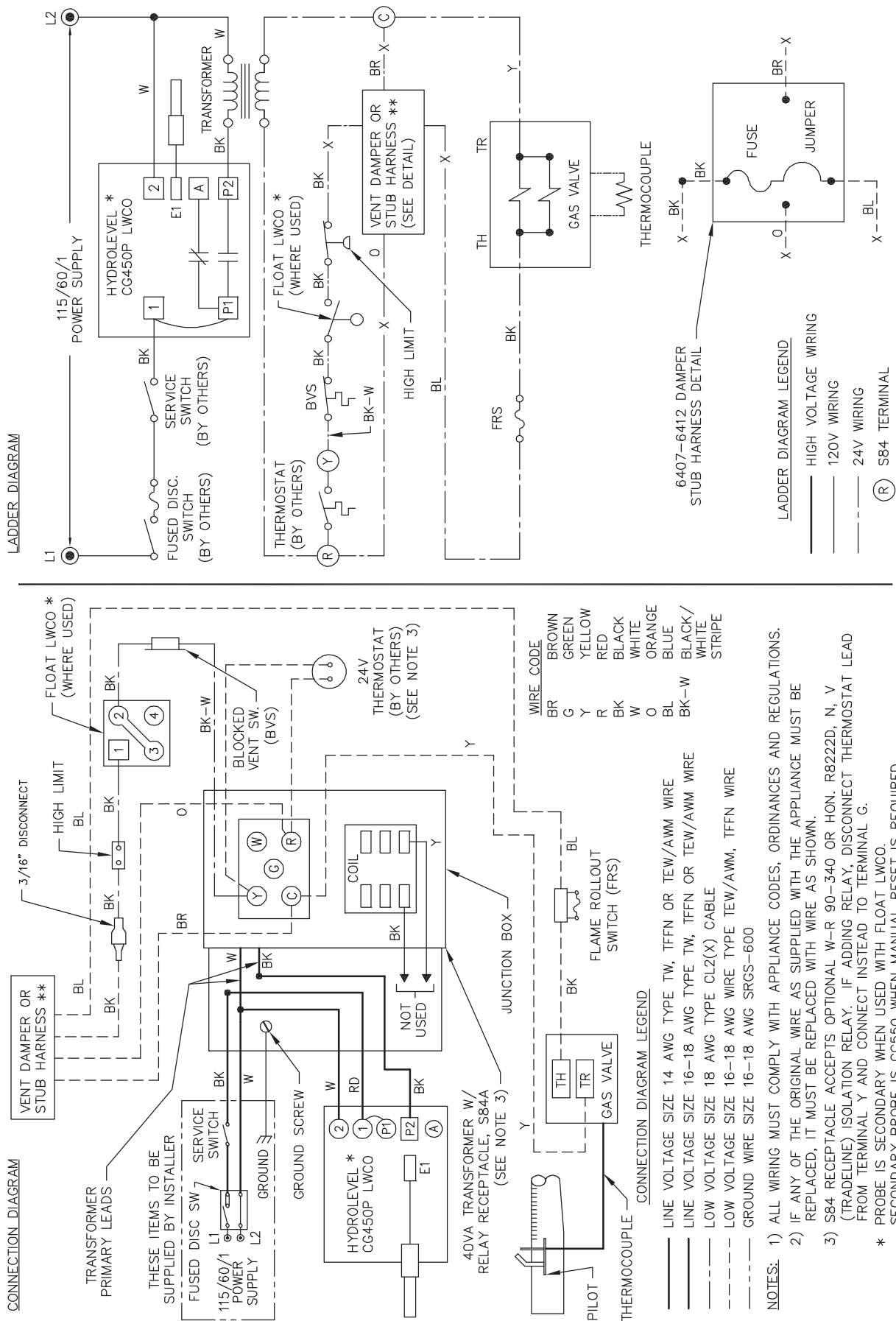
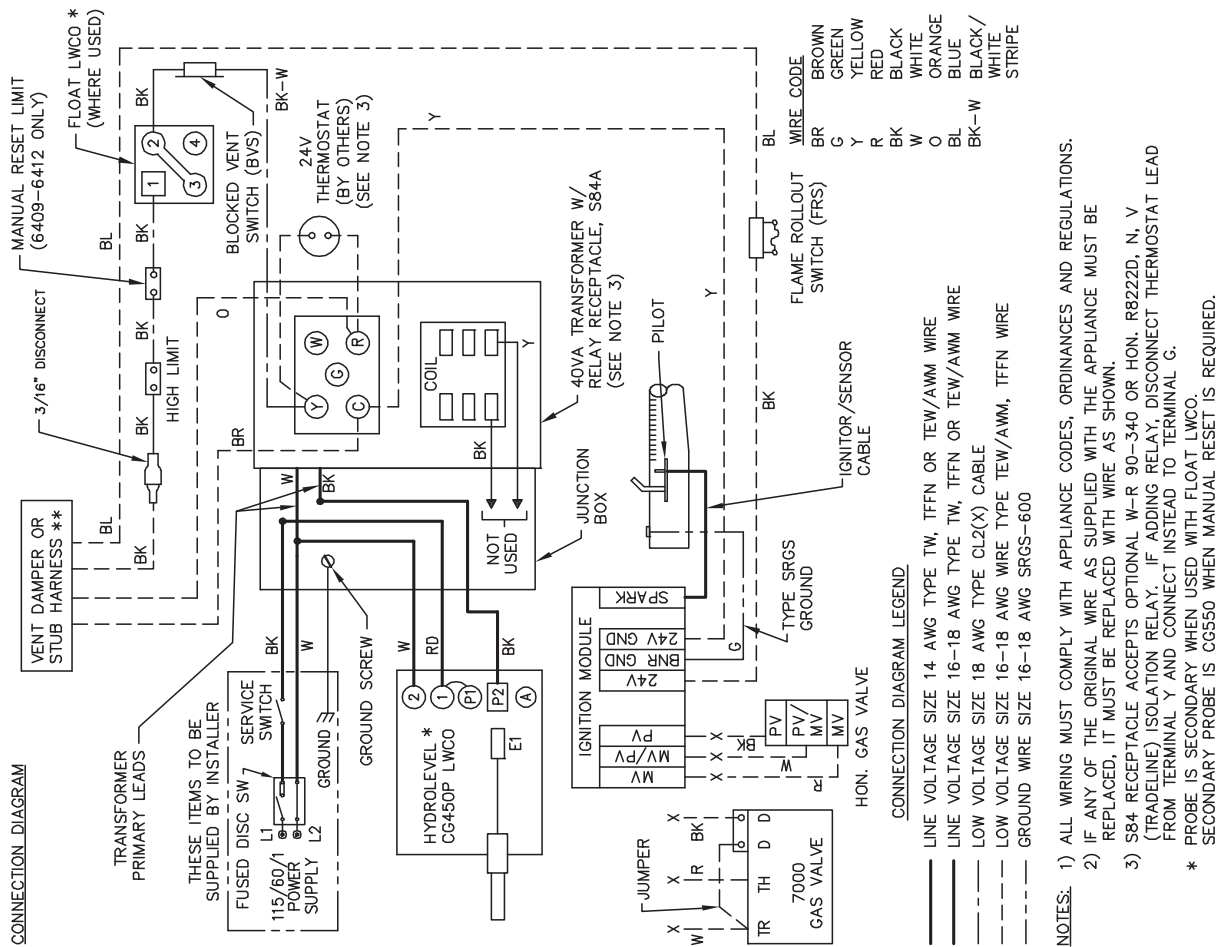
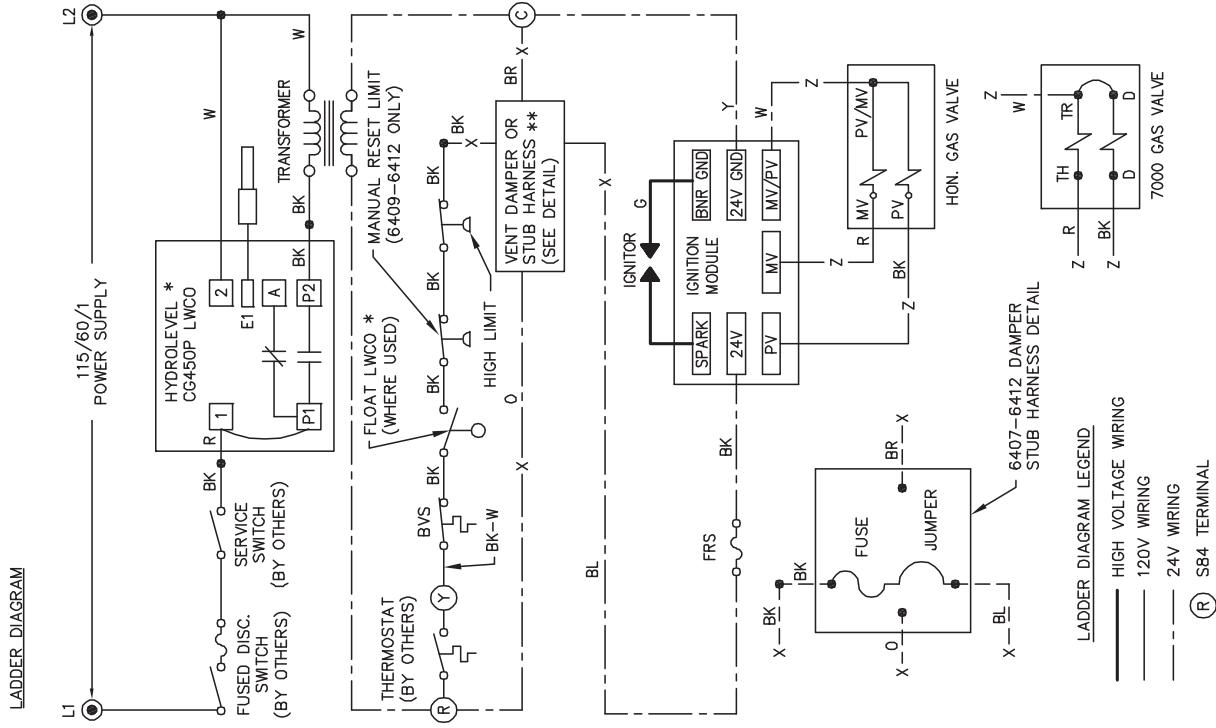


Figure 7.2: Steam Boilers with Probe Low Water Cut-off and Standing Pilot Wiring Diagram.

INSTALLATION AND OPERATING INSTRUCTIONS



- CONNECTION DIAGRAM LEGEND**
- LINE VOLTAGE SIZE 14 AWG TYPE TW, TFFN OR TEW/AWM WIRE
 - LINE VOLTAGE SIZE 16-18 AWG TYPE TW, TFFN OR TEW/AWM WIRE
 - LOW VOLTAGE SIZE 18 AWG TYPE CL2(X) CABLE
 - LOW VOLTAGE SIZE 16-18 AWG WIRE TYPE TEW/AWM, TFFN WIRE
 - GROUND WIRE SIZE 16-18 AWG SRGS-600
- NOTES:**
- 1) ALL WIRING MUST COMPLY WITH APPLIANCE CODES, ORDINANCES AND REGULATIONS.
 - 2) IF ANY OF THE ORIGINAL WIRE AS SUPPLIED WITH THE APPLIANCE MUST BE REPLACED, IT MUST BE REPLACED WITH WIRE AS SHOWN.
 - 3) S84 RECEPTACLE ACCEPTS OPTIONAL W-R 90-340 OR HON. R8222D, N, V (TRADELINE) ISOLATION RELAY. IF ADDING RELAY, DISCONNECT THERMOSTAT LEAD FROM TERMINAL Y AND CONNECT INSTEAD TO TERMINAL G.
- * PROBE IS SECONDARY WHEN USED WITH FLOAT LWCO.
 ** 6407-6412 HAVE STUB HARNESS TO CONNECT OPTIONAL VENT DAMPER.

Figure 7.3: Steam Boiler with Spark Ignition. Wiring Diagram for Models with Probe Low Water Cut-off.

INSTALLATION AND OPERATING INSTRUCTIONS

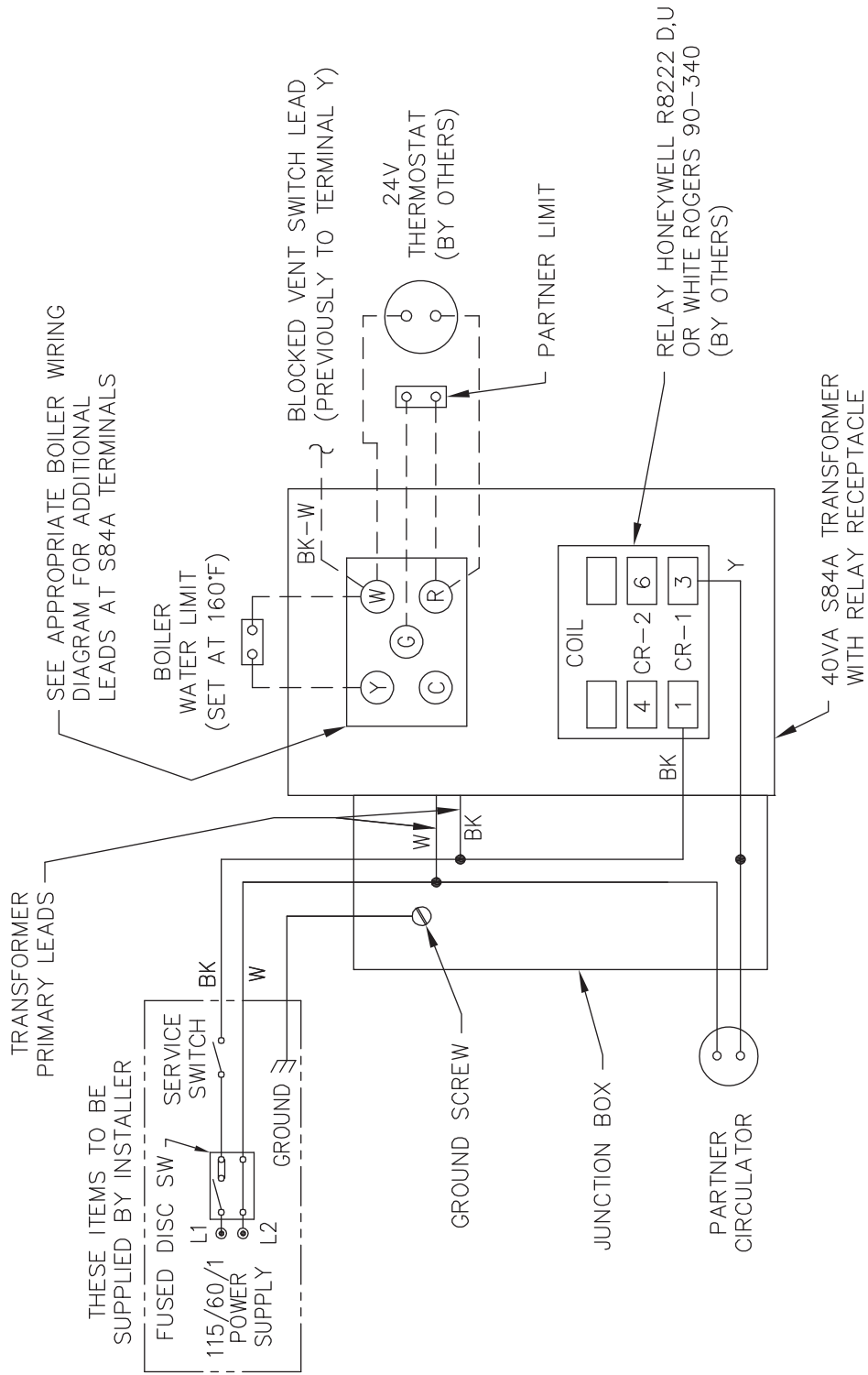


Figure 7.4: Typical Steam Boiler Indirect Water Heater Wiring

8. BOILER OPERATION

A. SYSTEM INSPECTION

1. Confirm that all water, gas, and electricity are turned off.
2. Inspect the boiler combustion chamber for obstructions. Clear any debris from the combustion chamber.
3. Check the condition of the burners and pilot assembly. Make certain that there are no unusual bends. Replace components if necessary.
4. Verify that water piping, gas piping and electrical wiring are installed properly. Be sure that all components are installed correctly. Refer to these instructions as well as to component manufacturer's instructions.

B. FILL THE BOILER

1. Gravity Systems and Pumped Return with Condensate Units – Fill the boiler to the normal water line as indicated on the boiler jacket. The normal water level is about 25-7/8" above the boiler foundation (about 2/3 of the gauge glass).
2. Pumped Return Systems with Boiler Feed Unit - Fill the boiler using the boiler feed unit. The fill level will depend on the control being used but should be roughly 25-7/8" above the boiler foundation (about 2/3 of the gauge glass) when the feed pump stops.
3. Check all joints and fittings in system piping below the water line for leaks and repair as necessary.

C. STUDY LIGHTING INSTRUCTIONS

Before starting the boiler, study the Lighting Instructions supplied with the boiler. Figure 8.2 and 8.3 show typical Lighting Instructions for typical boilers.

See Table 8.1 to determine the correct figure.

Table 8.1: Lighting & Operating Instructions Figure Selection Chart

	BTU Input						
	88.5	118.5	147.5	177	206.5	236	287.5
Standing Pilot, Nat. Gas	Fig. 8.2						
Standing Pilot, LP Gas	Fig. 8.2						
Spark Ignition, Nat. Gas	Fig. 8.3						
Spark Ignition, LP Gas	Fig. 8.3						

D. RUN PILOT CHECK-OUT

1. Shut off all electrical power to the boiler.
2. Close Main and Pilot gas shut-off valves. Wait for five (5) minutes.
3. Set the Operating and Limit Temperature Controls to minimum setting so they will not call for heat.
4. Perform Pilot Check:
 - a. Turn main electric disconnect switch to the "ON" position.
 - b. Turn up the settings on the Operating and Limit Temperature Controls so they will call for heat.
 - c. Check for a continuous spark at the electronic spark-ignited pilot.
 - d. Spark-ignited pilot systems – The control will spark for 90 seconds (trial for ignition), then shut down for a 5 to 6 minute wait period before attempting another ignition.
 - e. Standing pilot systems – Within 180 seconds the control will click, indicating a safety lockout.
 - f. Turn down the Operating Temperature Control to stop the call for heat.
 - g. Wait 60 seconds to allow the control to reset before proceeding with the next step.
5. Light Manual Pilot
 - a. Follow the procedure in the Lighting Instructions to manually light any standing pilots.
6. Spark-Ignited Pilot Ignition Check
 - a. Turn up the Operating Temperature Control for a call for heat.
 - b. The spark-ignited pilot should ignite.
 - c. Turn down the Operating Temperature Control to stop the call for heat.
 - d. The spark-ignited pilot should shut off.
7. Check Main Burner Ignition
 - a. With the Operating Temperature Control turned down, open the main gas shut-off valve(s).
 - b. Turn up the Operating Temperature Control for a call for heat.
 - c. The electronic spark-ignited pilot(s) should ignite.
 - d. The main gas valves will then open and the main burners should ignite.
 - e. Turn down the Operating Temperature Control to stop the call for heat.
 - f. The electronic spark-ignited pilot(s) and main burners should shut off.

INSTALLATION AND OPERATING INSTRUCTIONS

E. CHECK MAIN BURNER SYSTEM

1. Remove the pressure test plug at the Main gas shut-off valve. Attach a U-tube manometer.
2. Restart the boiler by turning up the Operating Temperature Control for a call for heat.
3. Leak test all gas train joints with a soap suds solution.
4. Check the gas pressure at the entrance to the Gas Control train.
 - a. The pressure reading under flow should be between 5.5 and 13.5 inches water column
 - b. If the pressure to the Gas Control Train exceeds 13.5 inches under any conditions, the system must be provided with a lockup type gas pressure regulator to provide 13.5 inches maximum.
5. Check the Manifold gas pressure.
 - a. Remove the 1/8" pipe plug from the manifold gas pressure tapping.
 - b. Attach a U-tube manometer.
 - c. Adjust the Main Gas Pressure Regulator to obtain 3.5 inches water column on Natural Gas or 10 inches water column on Propane (LP) Gas.
 - d. NOTE: If the pressure is adjusted to set the nameplate input to the boiler, do not set it more than 0.3 inches plus or minus from the specified settings. If more adjustment to the rate is needed, it must be done by changing the burner gas orifices.
6. Check the burner input by reading the gas meter.
 - a. The required input rate is listed for each model in Section II, Dimensions & Ratings.
 - b. Determine the input by multiplying "F" – Meter Reading (Cubic Feet of Gas) times "H" – Heating Value of Gas (Btu per Cubic Foot) times 3600. Divide by "T" – the time in seconds at the meter reading.
$$\text{Rate, Btu/Hr} = \frac{F \times H \times 3600}{T}$$
 - c. Note: If the meter is not automatically corrected for temperature and pressure, the meter reading must be corrected to actual conditions during the rate test.
7. Check the burner and pilot flames (see Figure 8.1). The flame inner cone should be about 1-1/2" high and should have a very sharp blue color. Poor flame conditions can be caused by dirty burners, obstructed orifices or incorrect gas pressure.

F. CHECK BOILER CONTROLS

1. Limit and Operating Controls:
 - Lower the set point of each control until the burners shut down. Note that the system pressure (or temperature) corresponds to the limit setting.
 - Return the controls to the desired set point.
2. Low Water Cut-off:
 - Consult the manufacturer's instructions for the low water cut-off operational check procedure.
3. Main Gas Safety Shut-off Valve:
 - Close main supply manual shut-off valve. The main gas safety shut-off valve should de-energize.
 - Open the manual supply valve. Re-light the boiler in accordance with the lighting instructions.

G. CLEAN THE BOILER

1. Clean the boiler as described below no later than one week after the initial start-up. Cleaning will be more effective if the boiler operates 24 to 48 hours in order to loosen sediment and impurities in the system.
2. The boiler must be cleaned to remove any accumulation of oil, grease, sludge, or other impurities that may be in the system. These substances can cause foaming and surging of the boiler water, producing an unstable water line and water carryover to the system.

WARNING

Cleaning the boiler requires the use of very hot water and corrosive chemicals. Use care when handling to prevent injury.

3. Thread a 1-1/4" NPT Pipe Nipple into the "Skim Tapping" (Connection "J" in Figure 11.1). Tighten firmly.
4. Thread a 1-1/4" NPT ball valve onto the nipple and connect a 1-1/4" drain line.
5. Close all valves to the system. Provide a means of supplying fresh water to the boiler.

CAUTION

Do not leave the boiler unattended while performing boil out. Do not allow the water to drop below the bottom of the gauge glass or allow make up water to enter too quickly. This will avoid the possibility of causing failure of the boiler sections.

6. Use common washing soda (such as Arm & Hammer Super Washing Soda). For each 800 square feet EDR net boiler rating, mix one pound of washing soda with water. Pour mixture into safety relief valve tapping.

INSTALLATION AND OPERATING INSTRUCTIONS

7. Open the skim valve. Fill the boiler until water begins to flow out of the valve.
8. Turn burners on and allow the boiler water to heat up to between 180°F and 200°F. Cycle the burners to maintain temperature during skimming. Do not allow the boiler to steam. Steaming mixes up the contaminants in the water instead of floating them at the surface.
9. Open the make-up water valve to continuously feed water to the boiler. Allow water to flow out of the skim tapping.
10. Continue skimming the boiler until the water flowing from the skim tapping flows clear. This will likely take several hours for a dirty system.
11. After skimming is complete, close the skim valve and turn off the boiler.
12. Close the make up water valve and open the boiler drain valve.
13. Drain the boiler completely. Then refill and drain again one or two times to make sure all of the soda has been washed out.
14. Open the valves to the system and replace the skim valve with a pipe cap.

NOTICE

If the gauge glass becomes dirty again, this indicates that more contaminants have worked loose in the system. Repeat the cleaning and skimming process as needed to clean the system.

H. TO SHUT DOWN THE BOILER

1. Open main line power disconnect switch to boiler.
2. Close Main and Pilot gas shut-off valves.
3. To take boiler out of service if the boiler and system are not to be used when temperatures are below freezing:
 - a. Drain the boiler and system completely and shut off make-up water supply.
 - b. Open main line power disconnect switch to boiler. Remove the fuses or secure the switch so that the power cannot be turned on accidentally.
 - c. Be certain that the boiler and system are refilled before returning to service. Follow the Instructions in this manual and the Lighting Instructions to operate.

CAUTION

Before servicing the boiler:

- Turn off all electrical power to the boiler.
- Close the Gas Service Valve.
- Allow the boiler to cool if it has been operating.
- Label all wires prior to disconnection when servicing controls. Wiring errors can cause improper and dangerous operation. Verify proper operation after servicing.

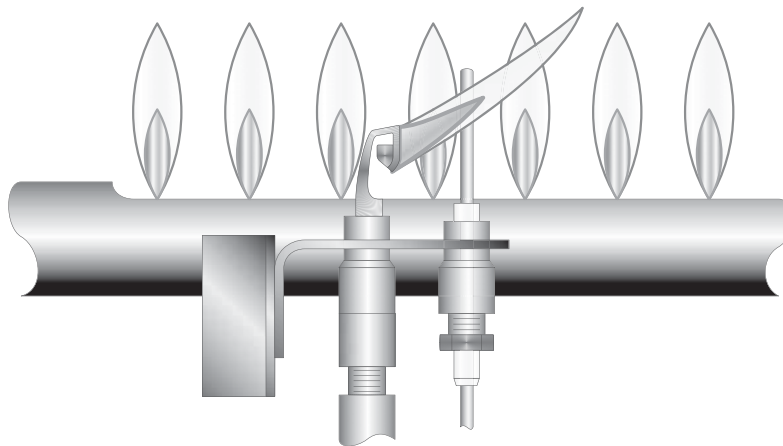


Figure 8.1 Pilot and Burner Flames

INSTALLATION AND OPERATING INSTRUCTIONS

FOR YOUR SAFETY READ BEFORE LIGHTING

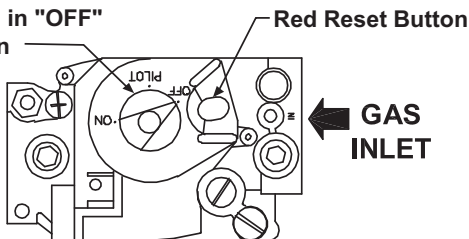
WARNING: If you do not follow these instructions exactly, a fire or explosion may result causing property damage, personal injury, or loss of life.

- A. This appliance has a pilot which must be lighted by hand. When lighting the pilot, follow these instructions exactly.
- B. BEFORE LIGHTING smell all around the appliance area for gas. Be sure to smell next to the floor because some gas is heavier than air and will settle on the floor.
- WHAT TO DO IF YOU SMELL GAS
- Do not try to light any appliance
 - Do not touch any electric switch; do not use any phone in your building
 - Immediately call your gas supplier from a neighbor's phone. Follow the gas supplier's instructions.
- If you cannot reach your gas supplier, call the fire department.
- C. Use only your hand to push in or turn the gas control knob. Never use tools. If the knob will not push in or turn by hand, don't try to repair it, call a qualified service technician. Force or attempted repair may result in a fire or explosion.
- D. Do not use this appliance if any part has been under water. Immediately call a qualified service technician to inspect the appliance and to replace any part of the control system and any gas control which has been under water.

LIGHTING INSTRUCTIONS

1. STOP! Read the safety information above on this label.
2. Set the thermostat to lowest setting.
3. Turn off all electric power to the appliance.
4. If the gas valve is not visible, remove control access panel.
5. If the gas control knob is not in the "OFF" position, turn the knob clockwise ↻ to "OFF".

Gas Control Knob
(shown in "OFF"
position)



6. Wait five (5) minutes to clear out any gas. Then smell for gas, including near the floor. If you smell gas, STOP! Follow "B" in the safety information above on this label. If you don't smell gas, go to the next step.
7. Remove the pilot access panel, if supplied, located below and behind the gas valve directly above burner tubes.

8. Find pilot - follow metal tube from gas valve. The pilot is between two burner tubes



Pilot Burner

9. Turn the gas control knob counterclockwise ↺ to "PILOT".
 10. Push in red reset button all the way and hold in. Immediately light the pilot with a match. Continue to hold the reset button in for about one (1) minute after the pilot is lit. Release button and it will pop back up. Pilot should remain lit. If it goes out, repeat steps 5 through 10.
- If button does not pop up when released, stop and immediately call your service technician or gas supplier.
 - If the pilot will not stay lit after several tries, turn the gas control knob to "OFF" and call your service technician or gas supplier.
11. Replace pilot access panel, if applicable.
 12. Turn gas control knob counterclockwise ↺ to "ON".
 13. Replace control access panel, if applicable.
 14. Turn on all electric power to the appliance.
 15. Set thermostat to desired setting.

TO TURN OFF GAS TO APPLIANCE

1. Set the thermostat to lowest setting.
2. Turn off all electric power to the appliance if service is to be performed.
3. If the gas valve is not visible, remove the control access panel.
4. Turn the gas control knob clockwise ↻ to "OFF".
5. Replace control access panel, if applicable.

H24V VR8200/VR8300 9177R REV.3

Figure 8.2 Standing Pilot - Nat/LP

INSTALLATION AND OPERATING INSTRUCTIONS

FOR YOUR SAFETY READ BEFORE LIGHTING

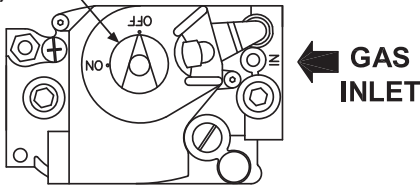
WARNING: If you do not follow these instructions exactly, a fire or explosion may result causing property damage, personal injury, or loss of life.

- A. This appliance is equipped with an ignition device which automatically lights the pilot. Do not try to light the pilot by hand.
- B. BEFORE OPERATING smell all around the appliance area for gas. Be sure to smell next to the floor because some gas is heavier than air and will settle on the floor.
- WHAT TO DO IF YOU SMELL GAS**
- Do not try to light any appliance
 - Do not touch any electric switch; do not use any phone in your building.
 - Immediately call your gas supplier from a neighbor's phone. Follow the gas supplier's instructions.
 - If you cannot reach your gas supplier, call the fire department.
- C. Use only your hand to push in or turn the gas control knob. Never use tools. If the knob will not push in or turn by hand, don't try to repair it, call a qualified service technician. Force or attempted repair may result in a fire or explosion.
- D. Do not use this appliance if any part has been under water. Immediately call a qualified service technician to inspect the appliance and to replace any part of the control system and any gas control which has been under water.

OPERATING INSTRUCTIONS

1. STOP! Read the safety information above on this label.
2. Set the thermostat or operating control to lowest setting.
3. Turn off all electric power to the appliance.
4. This appliance is equipped with an ignition device which automatically lights the pilot. Do not try to light the pilot by hand.
5. If the gas valve is not visible, remove control access panel.
6. If the gas control knob is not in the "OFF" position, turn the knob clockwise ↻ to "OFF".
7. Wait five (5) minutes to clear out any gas. Then smell for gas, including near the floor. If you smell gas, STOP! Follow "B" in the safety information above on this label. If you don't smell gas, go to the next step.
8. Turn the gas control knob counterclockwise ↺ to "ON".
9. Replace control access panel, if applicable.
10. Turn on all electrical power to the appliance.
11. Set thermostat or operating control to desired setting.
12. If the appliance will not operate, follow the instructions "To Turn Off Gas To Appliance" and call your service technician or gas supplier.

Gas Control Knob
(shown in "OFF"
position)



TO TURN OFF GAS TO APPLIANCE

1. Set the thermostat or operating control to lowest setting.
2. Turn off all electric power to the appliance if service is to be performed.
3. If the gas valve is not visible, remove the control access panel.
4. Turn the gas control knob clockwise ↻ to "OFF".
5. Replace control access panel, if applicable.

HSP VR8204/VR8304 9181R REV.2

Figure 8.3 Spark Ignition - Nat/LP

9. MAINTENANCE

WARNING

Product Safety Information Refractory Ceramic Fiber Product

This appliance contains materials made from refractory ceramic fibers (RCF). Airborne RCF, when inhaled, have been classified by the International Agency for Research on Cancer (IARC), as a possible carcinogen to humans. After the RCF materials have been exposed to temperatures above 1800°F (980°C), they can change into crystalline silica, which has been classified by the IARC as carcinogenic to humans. If particles become airborne during service or repair, inhalation of these particles may be hazardous to your health.

Avoid Breathing Fiber Particulates and Dust

Suppliers of RCF recommend the following precautions be taken when handling these materials:

Precautionary Measures:

Provide adequate ventilation.

Wear a NIOSH/MSHA approved respirator.

Wear long sleeved, loose fitting clothing and gloves to prevent skin contact.

Wear eye goggles.

Minimize airborne dust prior to handling and removal by water misting the material and avoiding unnecessary disturbance of materials.

Wash work clothes separately from others. Rinse washer thoroughly after use.

Discard RCF materials by sealing in an airtight plastic bag.

First Aid Procedures:

Inhalation: If breathing difficulty or irritation occurs, move to a location with fresh clean air. Seek immediate medical attention if symptoms persist.

Skin Contact: Wash affected area gently with a mild soap and warm water. Seek immediate medical attention if irritation persists.

Eye Contact: Flush eyes with water for 15 minutes while holding eyelids apart. Do not rub eyes. Seek immediate medical attention if irritation persists.

Ingestion: Drink 1 to 2 glasses of water. Do not induce vomiting. Seek immediate medical attention.

A. GENERAL

1. Disconnect this boiler from the gas supply piping during any pressure testing of the gas system.
2. Check pipes adjacent to cold walls or in unheated spaces. Insulate and tape them if necessary to be sure they can't freeze up. Keeping the water moving at all times will reduce the likelihood of freezing.
3. If there is considerable foreign matter in the boiler water, the boiler should be shut down and allowed to cool, then drained and thoroughly flushed out. Use the drain valve at the bottom of the right side to drain the boiler. Pipe the drain cock to a suitable drain or containment device (if antifreeze is used). Flush the system to remove remaining matter. If there is evidence that hard scale has formed on the internal surfaces, the boiler should be cleaned by chemical means as prescribed by a qualified water treatment specialist.

4. There must be no signs of continuous wetness at the chimney. If signs of continuous wetness are observed, a qualified service agency must be consulted to modify the vent configuration to prevent the formation of condensate, which may damage the vent pipe.

B. DAILY MAINTENANCE (WITH BOILER OPERATING)

Daily boiler observation can be performed by the owner. If any potential problems are found, a qualified installer or service technician/agency must be notified.

1. Remove any combustible materials, gasoline and other flammable liquids and substances that generate flammable vapors from the area where the boiler is contained. Make certain that the boiler area has ample air for combustion and ventilation and that there are no obstructions to the free flow of air to and from the boiler.

INSTALLATION AND OPERATING INSTRUCTIONS

2. Observe general boiler conditions (unusual noises, vibrations, etc.)
3. Observe operating temperature and/or pressure on the gauge located on the right side of the boiler. Boiler pressure should never be higher than 5 psi below the rating shown on the safety relief valve. The valve rating can be found on the top of the safety relief valve (see Figure 6.1 for location of the safety relief valve). Boiler temperature should never be higher than 250°F.
4. Check for water leaks in boiler and system piping.
5. Smell around the appliance area for gas. If you smell gas, follow the "To Turn Off Gas to Appliance" procedure listed in the Lighting/Operating Instructions in Section 8.

C. MONTHLY MAINTENANCE (WITH BOILER OPERATING)

1. Check boiler room floor drains for proper functioning.
2. Check function of the safety relief valve (monthly unless specified otherwise by manufacturer) by performing the following test:
 - a. Check valve piping to determine that it is properly installed and supported.
 - b. Check boiler operating temperature and pressure.
 - c. Lift the try lever on the safety relief valve to the full open position and hold it for at least five seconds or until clean water is discharged.
 - d. Release the try lever and allow the valve to close. If the valve leaks, operate the lever two or three times to clear the valve seat of foreign matter. It may take some time to determine if the valve has shut completely.
 - e. If the valve continues to leak, it must be replaced before the boiler is returned to operation.
 - f. Check that operating pressure and temperature have returned to normal.
 - g. Check again to confirm that valve has closed completely and is not leaking.
3. Test low-water cut-off as described by the manufacturer.
4. Test limit by lowering the limit set point until the main burners shut down. When proper operation is confirmed, return the set point to the desired setting.
5. Test function of gas safety shut-off features as described by gas valve and ignition control manufacturer.
6. Cycle the boiler at least once and check operation of the vent damper

D. ANNUAL MAINTENANCE (BEFORE START OF HEATING SEASON)

DANGER

When servicing or replacing components, be absolutely certain that the following conditions are met:

- **Water, gas and electricity are off.**
- **The boiler is at room temperature.**
- **There is no pressure in the boiler.**

1. Check flueways and burners for cleanliness and clean if necessary. Use the following procedure if cleaning is required:
 - a. Refer to the Lighting/Operating Instructions in Section 8 "To Turn Off Gas to Appliance."
 - b. Turn off all electrical power to the boiler.
 - c. Remove burners and brush gas outlet ports lightly using a soft bristle brush.
 - d. Remove the vent pipe, vent damper, top jacket panels and flue collector.
 - e. Brush flueways with wire brush.
 - f. To the extent possible, inspect inside of vent pipe and vent damper for obstructions in flow or vent damper movement. Remove or replace as necessary.
 - g. When replacing the flue collector, be certain that the blanket seal between the flue collector and top section makes a tight seal to prevent leakage of the products of combustion.
 - h. Re-install the top of the jacket, vent damper and vent pipe.
 - i. Connect blocked vent switch wiring harness to blocked vent switch.
 - k. Re-install burners.
2. Inspect entire venting system for corrosion, support and joint integrity. Repair as necessary.
3. Check the pilot and main burner flame. See Figure 8.1. The pilot should provide a steady flame enveloping 3/8" to 1/2" of the flame sensor. If required, adjust the pilot as stated in the gas valve manufacturer's instructions. The main burner flame inner cone should be approximately 1-1/2" high and should have a very sharp, blue color characteristic.

E. AS REQUIRED MAINTENANCE

Test and inspect low water cut-off(s) per manufacturer's instructions.

If the steam boiler water level is erratic and dirt & deposits appear in the water gauge glass, skim the boiler as described in Section 8.

10. TROUBLESHOOTING – SERVICE TIPS

Problem	Possible Cause	Suggested Remedy
Pilot Outage	Defective Thermocouple	Replace
	Heavy Draft Blowing across Pilot	Redirect Air Movement or Eliminate
	Plugged Pilot Orifice	Replace Orifice
	No Gas	Check Manual Pilot Valve Check Main Gas Shut-Off Valve Check Manual Meter Valve Consult Gas Company
	Defective Thermopilot Switch	Replace
	Defective Ignition Control	Replace
Main Gas Valve Will Not Open (Spark Ignited Pilot)	No Power	Check Power Source with Meter Check Fuses
	Defective Gas Valve	Replace
	Low Water Level in Boiler or System Causing Low Water Cut-off to Function	Check for Leaks Check Feeder (if Supplied)
	Defective Ignition Control	Replace
	High Gas Pressure Switch Open (if Provided)	Check Switch Setting Check Manifold Gas Pressure
	Low Gas Pressure Switch Open (if Provided)	Check Switch Setting Check Manifold Gas Pressure
Main Gas Valve Will Not Open (Standing Pilot)	No Power	Check Power Source with Meter Check Fuses
	Defective Gas Valve	Replace
	Pilot Out	Relight Pilot (May have defective pilot valve or relay)
	Low Water in Boiler or System Causing Low Water Cut-off to Function	Check for Leaks Check Feeder (if Supplied)
	Defective Thermopilot Switch	Replace
	Defective Thermocouple	Replace
	High Gas Pressure Switch Open (if Provided)	Check Switch Setting Check Manifold Gas Pressure
	Low Gas Pressure Switch Open (if Provided)	Check Switch Setting Check Inlet Gas Pressure

INSTALLATION AND OPERATING INSTRUCTIONS

Problem	Possible Cause	Suggested Remedy
Burner(s) Burning with Yellow Flame	Air Adjustment Screws Turned in Too Far	Adjust Screws Out
	Low Gas Pressure in Manifold (Insufficient Air Injection)	Adjust Main Gas Pressure Regulator or Check Line Pressure
	Burner Ports Partially Closed (Rust, Dirt, Lint, etc)	Replace Burners or Clean Ports
	Insufficient Air for Combustion	Check Size of Combustion Air Openings to Room If Undersized, Correct as Required Check for Negative Pressure in Boiler Room
	Oversized Burner Orifice	Install Correct Orifice
	High Gas Pressure in Manifold	Adjust Main Gas Pressure Regulator
Gas Spillage from Draft Hood Relief Opening	Insufficient Draft - Chimney Too Low	Increase Height or Add Induced Draft Fan
	Insufficient Draft - Chimney Too Small	Replace Chimney or Add Induced Draft Fan
	Insufficient Draft - Blockage in Chimney or Vent	Repair Chimney or Vent
	Insufficient Draft - Downdraft Caused by Chimney Location with Respect to Other Buildings, Roofs, etc.	Install Chimney Cap
	Negative Pressure in Boiler Room (Due to Exhaust Fan or Duct System)	Remove Exhaust Fan or Isolate Fan From Boiler Room
	Insufficient Combustion Air Openings	Provide Correctly Sized Combustion and Ventilation Air Openings
Main Gas Valve Opens But No Gas Flows	Manual Valve Closed at Gas Train	Open Valve
	Manual Valve Closed at Meter	Open Valve
	Test Firing Valve Closed (if Provided)	Open Valve
Water Hammer On Start-Up	Sags in Steam Piping or not enough Pitch	Correct Piping Condition
	Concentric reducers causing condensate pooling	Correct Piping
	Drip trap failed closed	Replace Trap or Trap Element
	Dry returns wetted due to new boiler water line higher than old boiler	Correct Piping or Install Feed System and Traps
	No drip line on the back side of a back-pitched motorized valve	Install Drip Line and Trap

INSTALLATION AND OPERATING INSTRUCTIONS

Problem	Possible Cause	Suggested Remedy
Water Hammer During Mid-Cycle	Clogged returns on gravity system	Clean or Re-Pipe Return Line(s)
	Incorrect near-boiler piping causing wet steam to system	Correct Piping per Manual
	Trap failed open, allowing steam to enter returns	Replace Trap or Trap Element
	{Radiator Hammer} Large radiator may be vented too quickly	Use smaller Air Vent or Use Two Small Vents in Place of One Large Vent, One Mounted Higher than the Other
	Long nipple at Hartford Loop	Replace with Close Nipple
	Water leg or back slope in return line to receiver tank, causing water pocketing	Correct Piping
	Trap installed at receiver tank, causing water trapping in return	Remove Trap at Tank, Install Drip Traps and Radiator Traps where Required
	Boiler feed pump or condensate pump feed rate too fast, causing spraying into equalizer	Throttle Flow Rate
	No drip on the inlet side of a forward pitched motorized valve	Add Drip Line and Trap
	Uninsulated steam piping, causing excessive condensate loads	Insulate Steam Pipes
Water Hammer on Shut-Down	Close nipple on Hartford Loop too high	Repipe 2" to 4" (5cm to 10cm) Below Water Line
	Uninsulated steam piping in boiler room, but system piping insulated, causing vacuum condition on shut-down	Insulate Steam Pipes
Hammering in the Boiler	Poor circulation in the boiler due to sludge accumulation	Clean and Blowdown the Boiler
No Heat or Poor Heat Distribution in the Building	Main vents not working	Replace Main Vents, Repiping away from End of Lines if Needed
	Drip Traps failed closed	Replace Traps or Trap Elements
	Radiator traps failed open, allowing pressurization of the returns	Replace Traps or Trap Elements
	Water legs or back slope in return lines to receiver tank, preventing air from venting out receiver vent	Correct Piping
	Boiler pressure too high, causing air vents to lock up or blowing water loop seals	Reduce Operating Pressure
System or Boiler Overfilling or Flooding	New boiler water content smaller than old boiler	Install Boiler Feed System with Receiver Tank Large enough for Condensate
	Boiler water feed rate or pump rate too fast causing water level to collapse (due to collapse of steam bubbles in boiler water)	Reduce Feed Rate
	Foaming, priming or surging due to poor water quality	Clean the Boiler
Excessive Water Level Bounce	Poor water quality, causing foaming and surging	Clean the Boiler
	Incorrect near-boiler piping, such as undersized or incorrectly placed risers	Pipe per Manual
	Boiler water feed rate or pump rate too fast	Reduce Feed Rate
Rapid Cycling	Air vents or traps not venting air, preventing steam from getting to radiation and pressurizing the air pocket	Replace Vents or Traps
	Pressure differential on pressure control too close	Adjust Control Differential
	Nuisance outages of water level control due to boiler water level bounce	See Excessive Water Level Bounce Above

11. BOILER DIMENSIONS & RATINGS

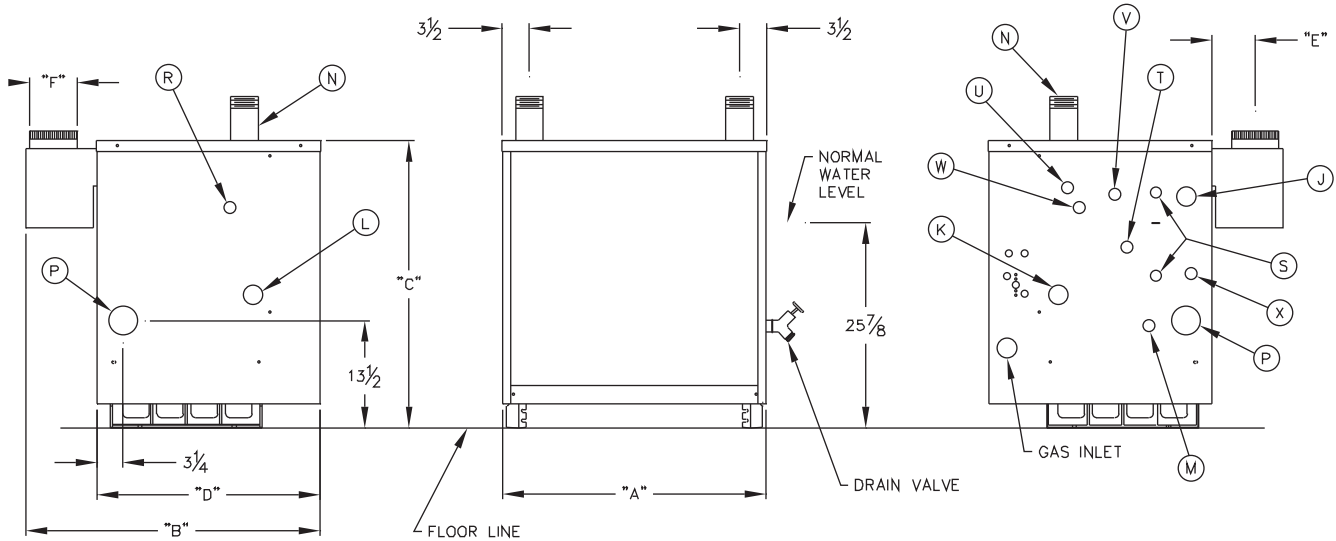


Figure 11.1: Dimensions and Tapping Locations

Table 11.1: Tapping Sizes & Functions


Tap ID	Size NPT	Steam
J	1-1/4"	Skim Tapping
K	1"	Tank Supply/Limit
L	1"	Tank Return
M	3/4"	Boiler Drain
N	3"	Supply
P	2-1/2"	Return
R	3/4"	Safety Valve
S	1/2"	Gauge Glass
T	3/4"	Primary Probe Low Water Cut-Off
U	3/4"	Primary Limit
V	3/4"	Secondary Limit
W	3/4"	Pressure Gauge
X	3/4"	Secondary Probe Low Water Cut-Off

Table 11.2: Dimensions

Boiler Model	Dimensions (Inches)					
	"A"	"B"	"C"	"D"	"E"	"F"
88	16-1/8	37-1/4	36-3/8	28-1/8	5-5/8	6
118						
147	20-3/8					
177						
206	24-5/8	39-1/4			6-5/8	8
236						
288		28-7/8	6-1/8	9		

INSTALLATION AND OPERATING INSTRUCTIONS

Table 11.3: Boiler Ratings

							Water Content	Approx. Shipping Weight, lb
Boiler Model	Input, MBH	Heating Capacity ³	Net I=B=R Ratings ¹		Standing Pilot AFUE ³	Spark Ignition AFUE ³		
		Steam, MBH	Steam, sqft	Steam, MBH	Steam, %	Steam, %	Steam, gal	
88	88.5	74	233	56	80.6	83.0	9.3	465
118	118.0	98	308	74	81.2	82.6	9.3	465
147	147.5	123	383	92	80.6	82.6	10.8	576
177	177.0	147	458	110	81.0	82.4	10.8	576
206	206.5	171	533	128	80.7	82.3	12.4	700
236	236.0	196	613	147	80.9	82.2	12.4	700
288	287.5	238	746	179	80.7	82.0	13.9	812

1. Net I=B=R Ratings are based on DOE Heating Capacity less an allowance for normal piping and pickup as determined by the Testing and Rating Standard for Low Pressure Cast Iron Heating Boilers of the Hydronics Institute. Steam ratings are based on a piping and pickup factor of 1.33. Consult manufacturer before selecting a boiler for gravity hot water installations or for installations having unusual piping and pickup requirements such as exposed piping, night set back, etc. Ratings shown are for elevations up to 2,000 feet. For elevations above 2,000 feet, ratings should be reduced at the rate of 4% for each 1,000 feet above sea level.
2. Heating Capacity and Annual Fuel Utilization Efficiency (AFUE) ratings are based on U.S. Government tests. Before purchasing this appliance, read important information about its estimated annual energy consumption or energy efficiency rating that is available from your retailer.

NOTE: Minimum Inlet Gas Pressure: Natural Gas @ 5.0 in. W.C.², LP Gas @ 11.0 in. W.C.

Exceptions: 177 BTU STDG 5.3"
 288 BTU STDG 5.5"
 288 BTU SPRK 5.3"

12. REPAIR PARTS

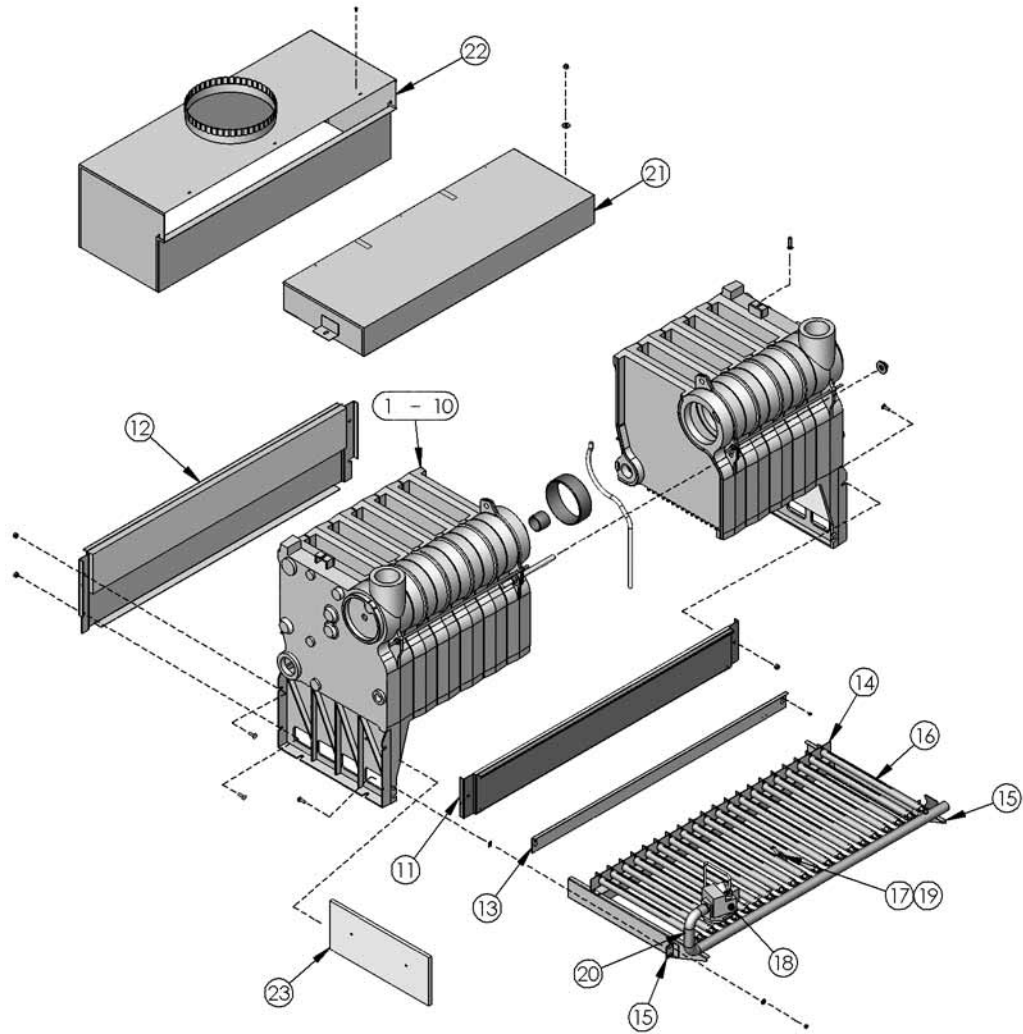
Item No.	Description	Stock Code
1-10	Block Assembly 88/118	90684
	Block Assembly 147/177	90685
	Block Assembly 206/236	90686
	Block Assembly 288	90687
11	Base Front Panel 88/118	50324
	Base Front Panel 147/177	50325
	Base Front Panel 206/236	50326
	Base Front Panel 288	50327
12	Base Rear Panel 88/118	61180
	Base Rear Panel 147/177	61181
	Base Rear Panel 206/236	61182
	Base Rear Panel 288	61183
13	Burner Access Panel 88/118	50271
	Burner Access Panel 147/177	50272
	Burner Access Panel 206/236	50273
	Burner Access Panel 288	50274
14	Burner Tray Rear Support 118	50300
	Burner Tray Rear Support 88	50301
	Burner Tray Rear Support 177	50302
	Burner Tray Rear Support 147	50303
	Burner Tray Rear Support 236	50304
	Burner Tray Rear Support 206	50305
15	Burner Tray Rear Support 288	50306
	Burner Tray Left Side Rail	50296
16	Burner Tray Right Side Rail	50295
	Burner	50192
17	Burner with Pilot Bracket (Standing Pilot)	50162
	Burner with Pilot Bracket	50163

Item No.	Description	Stock Code
18	Gas Valve - Nat-Stdg 88-177 VR8200	50581
	Gas Valve - Nat-Stdg 206-288 VR8300	50587
	Gas Valve - Nat-Sprk 206-288 VR8304	50589
	Gas Valve - Nat-Sprk 88-177 VR8204	50583
	Gas Valve - LP-Stdg 88-177 VR8200	50582
	Gas Valve - LP-Stdg 206-288 VR8300	50588
	Gas Valve - LP-Sprk 206-288 VR8304	50590
	Gas Valve - LP-Sprk 88-177 VR8204	50584
19	Pilot Assembly Nat-Stdg 5CH	50248
	Pilot Assembly Nat-Sprk Q348	50558
	Pilot Assembly LP-Stdg 5CH	50249
	Pilot Assembly LP-Sprk Q348	51814
20	Gas Manifold 118	50264
	Gas Manifold 88	50265
	Gas Manifold 177	50266
	Gas Manifold 147	50267
	Gas Manifold 236	50268
	Gas Manifold 206	50269
21	Gas Manifold 288	50270
	Flue Collector 118	50281
	Flue Collector 88	50282
	Flue Collector 177	50283
	Flue Collector 147	50284
	Flue Collector 236	50285
	Flue Collector 206	50286
	Flue Collector 288	50287
22	Draft Hood 88/118	50252
	Draft Hood 147/177	50254
	Draft Hood 206/236	50256
	Draft Hood 288	50257
23	Insulation Board	7956

INSTALLATION AND OPERATING INSTRUCTIONS

Repair parts are available from 260 North Elm Street, Westfield, MA 1085.

Note: Remember to include boiler model number and serial number when ordering parts.



INSTALLATION AND OPERATING INSTRUCTIONS

LIMITED WARRANTY

Residential Cast Iron Steam Boilers

One Year Warranty

The "Manufacturer" warrants to the original owner at the original installation site that the Residential Cast Iron Steam Boiler (the "Product") will be free from defects in material or workmanship for one (1) year from date of installation. If upon examination by the Manufacturer the Product is shown to have a defect in material or workmanship during the warranty period, the Manufacturer will repair or replace, at its option, that part of the Product which is shown to be defective.

Ten Year Warranty

The Manufacturer further warrants to the original owner at the original installation site that the Product's cast iron sections will be free from defects in material or workmanship for ten (10) years from the date of shipment from the factory. If upon examination by the Manufacturer a cast iron section is shown to have a defect in material or workmanship during the warranty period, the Manufacturer will repair or replace, at its option, that part of the Product which is shown to be defective.

This limited warranty does not apply:

- (a) if the Product has been subjected to misuse or neglect, has been accidentally or intentionally damaged, has not been installed, maintained or operated in accordance with the furnished written instructions, or has been altered or modified in any way.
- (b) to any expenses, including labor or material, incurred during removal or reinstallation of the Product or parts thereof.
- (c) to any other cast iron parts of the boiler.
- (d) to burners, jackets, controls, and other auxiliary equipment furnished by the Manufacturer, but manufactured by others. Any warranties for such items shall be limited to those warranties offered by the original equipment manufacturer.
- (e) to damage as a result of settlement, distortion, collapse, or cracking of any foundation area, beams or pipes surrounding the Product.
- (f) to any workmanship of any installer of the Product; or to Products installed outside the continental United States or Canada.

This limited warranty is conditional upon:

- (a) shipment, to the Manufacturer, of that part of the Product thought to be defective. Goods may only be returned with the prior written approval of the Manufacturer. All returns must be freight prepaid.
- (b) determination in the reasonable opinion of the Manufacturer that there exists a defect in material or workmanship.

Repair or replacement of any part under this Limited Warranty shall not extend the duration of the warranty with respect to such repaired or replaced part beyond the stated warranty period.

THIS LIMITED WARRANTY IS IN LIEU OF ALL OTHER WARRANTIES, EITHER EXPRESS OR IMPLIED, AND ALL SUCH OTHER WARRANTIES, INCLUDING WITHOUT LIMITATION IMPLIED WARRANTIES OF MERCHANTABILITY OR FITNESS FOR A PARTICULAR PURPOSE, ARE HEREBY DISCLAIMED AND EXCLUDED FROM THIS LIMITED WARRANTY. IN NO EVENT SHALL THE MANUFACTURER BE LIABLE IN ANY WAY FOR ANY CONSEQUENTIAL, SPECIAL, OR INCIDENTAL DAMAGES OF ANY NATURE WHATSOEVER, OR FOR ANY AMOUNTS IN EXCESS OF THE SELLING PRICE OF THE PRODUCT OR ANY PARTS THEREOF FOUND TO BE DEFECTIVE. THIS LIMITED WARRANTY GIVES OWNER OF THE INSTALLATION SITE SPECIFIC LEGAL RIGHTS. YOU MAY ALSO HAVE OTHER RIGHTS WHICH MAY VARY BY EACH JURISDICTION.

HydroTherm[®]

 A MESTEK COMPANY

IN UNITED STATES:
260 NORTH ELM ST.
WESTFIELD, MA 01085
TEL (413) 564-5515
FAX (413) 568-9613

IN CANADA:
7555 TRANMERE DRIVE
MISSISSAUGA, ONT. L5S 1L4
TEL (905) 672-2991
FAX (905) 672-2883

www.hydrotherm.com