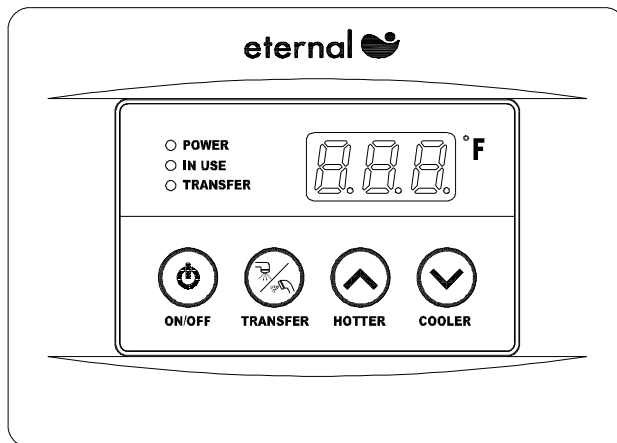


Remote Controller Kit



Service Information Center:

Call us first if you have any questions with this product. We can help you with questions about assembly and Water Heater operation or if there are damaged or missing parts when you unpack this unit from the shipping box. Please call before returning to the store.

1-866-946-1096
 8am-4:30pm CST, Monday through
 Friday

IMPORTANT:

- **Only specially trained and authorized personnel are permitted to service this water heater.**
- **NOTE TO ASSEMBLER/INSTALLER:**
 Leave this manual with the consumer.
- **NOTE TO CONSUMER:**
 Keep this manual for future reference.

Table of Contents

Specifications and Features.....	2
Installation Instructions.....	3-4
How to Use Remote Controller.....	5
Warranty.....	6
Remote Controller Mounting Template.....	7



WARNING



Read this Operator's Manual carefully and be sure your Water Heater is properly assembled, installed and maintained. Failure to follow these instructions exactly could result in a fire or explosion, serious bodily injury and/or property damage.

Do not store or use gasoline or other flammable vapors and liquids in the vicinity of this or any other appliance.



WARNING



California Proposition 65 lists chemical substances known to the state to cause cancer, birth defects, death, serious illness or other reproductive harm. This product may contain such substances, be their origin from fuel combustion (gas, oil) or components of the product itself.

Specifications and Features

Applicable Models:

501 Series - GU20 / 26 / 28 / 32

505 Series - GU20DV / 26DV / 28DV / 32DV

Affected Serial #s:

GU32 prior to G800839 requires PCB upgrade for Remote Controller compatibility

GU26 prior to G801085 requires PCB upgrade for Remote Controller compatibility

Description:

Remote Controller adds convenience to the already smart Eternal heaters, especially for units that are installed in hard to reach locations. The Remote Controller is installed with regular thermostat wire with a minimum rating of 18AWG, and can be installed as far as 65ft of wiring.

Specifications

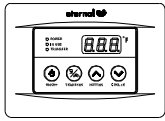
Dimensions (Remote Controller)	6.10"W x 0.78 "D x 4.33 "H
Weight (Remote Controller)	0.43 lbs
Temperature Range	100°F ~ 167°F

Features and Benefits:

- Digital Monitor displays the current set temperature and alerts the user in case of error.
- In Use Indicator shows when the burner is on and the unit is working.
- Transfer indicator with control lock shows when the Remote Controller has priority over all controls; functions can only be changed at the Remote Controller when the transfer button is pressed.
- Easy to use thermostat buttons to change settings.
- Hidden mounts allows the Remote Controller to be installed on the wall without showing any wires or mounting hardware.
- 1 Remote Controller per unit can be used.

Remote Controller Kit Components

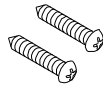
1. Components



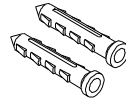
Remote Controller



Self - Tapping T4 Screw 2pcs

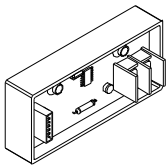
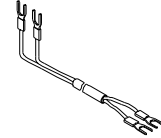


Mounting Screw 2pcs
(1/16" x L0.7")

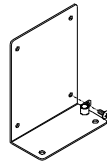


Wall Anchor 2pcs

Wiring Is NOT Included.
Minimum 18AWG wire.
Maximum 65ft Run.



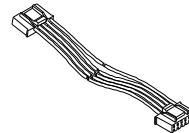
RC Unit



RC Bracket



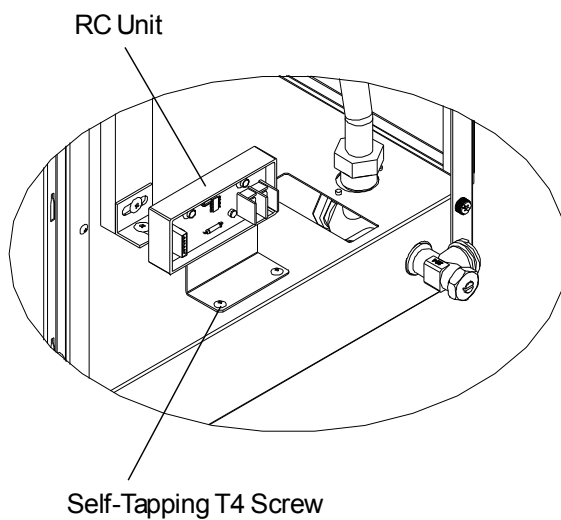
Hole Plug



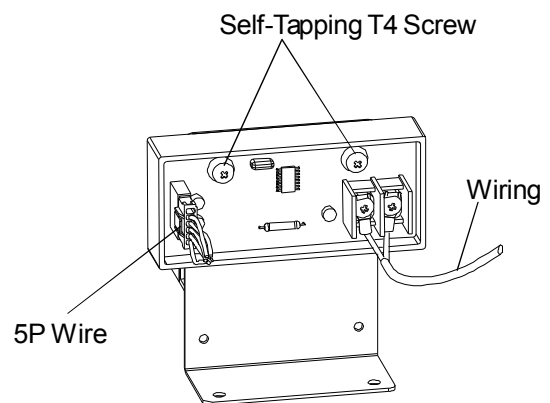
5P Wire

2. RC Unit Installation Instructions

- 2.1 Turn unit off and unplug power cord from the wall socket.
- 2.2 Loosen two screws securing the Front Panel on the bottom front, and push downwards to remove the Front Panel.
- 2.3 Open one of the pre-cut hole on either the right or left side panels and insert the Hole Plug.
- 2.4 Using two Self-Tapping T4 Screws, secure the RC unit to the RC Bracket. (fig 2)
- 2.5 Mount the RC bracket on the bottom panel of the water heater with the two Self-Tapping T4 screws. (fig 1)



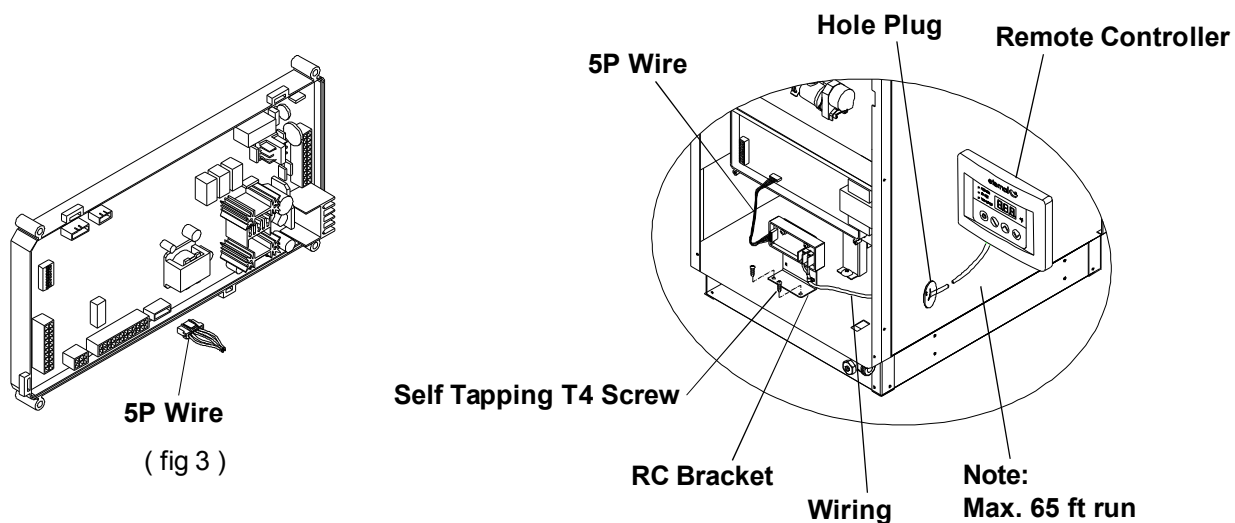
(fig 1)



(fig 2)

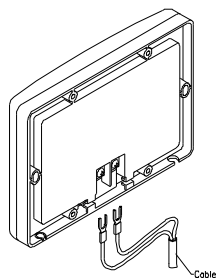
Wiring Instructions

1. Make sure the unit remains off and unplugged.
2. Run min. 18AWG wire from the RC Unit through the Hole Plug on the side of the unit.
3. Wiring is attached to the RC unit by loosening the two terminal screws on the RC unit, and tightening the screws as wiring makes contact with the terminals. (fig 2)
4. Maximum 65 feet of wiring run to where the Remote Controller is to be mounted.
5. Attach the other end of wiring onto the Remote Controller by loosening the two terminal screws on the back, and tightening the screws as wiring makes contact with the terminals. (fig 4)
6. Connect 5P Wire between RC unit and Main controller of the water heater. (fig 2 & 3)
7. Plug the unit in and press Power Button on the Remote Controller to test the wiring connection.

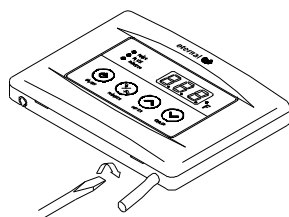


Remote Controller Mounting Instructions

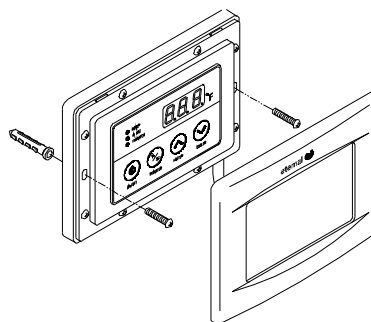
1. Decide the appropriate mounting location for the Remote Controller; consider higher positions so that the controller is out of reach for children.
2. Using the template, mark two 1/4" holes on the dry wall. Be sure that the holes are level.
3. Drill two 1/4" holes on the dry wall and insert Wall Anchors.
4. Using a flat heat screw driver, or a penny, wedge the Remote Controller open to reveal mounting holes under the cover. (fig 5)
5. Secure the Remote Controller to the Wall Anchors using the included Mounting Screw 2 pcs and replace the cover to hide the mounting hardware. (fig 6)



(fig 4)

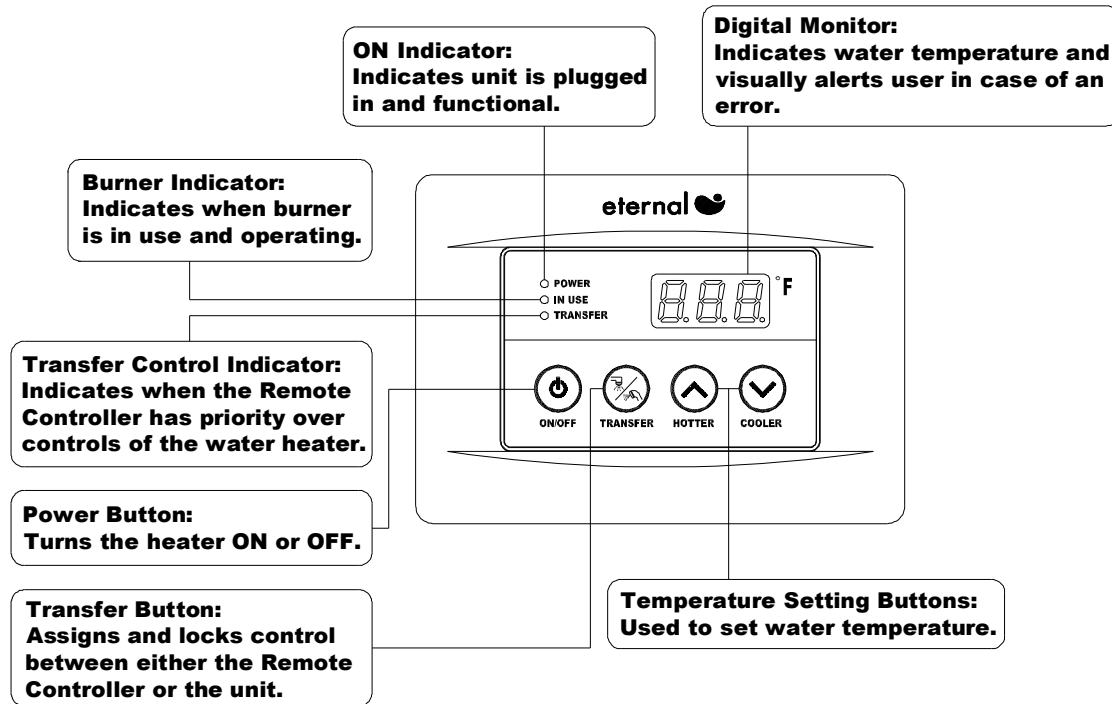


(fig 5)



(fig 6)

How to Use Remote Controller

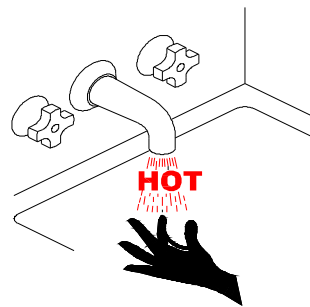


- To switch the water heater ON with Remote Controller: from OFF condition Press the Power Button.
 - The temperature selected will be indicated on the Digital Monitor on the Remote Controller.
 - The ON Indicator will light up.
- When running the water by opening the water tap, the water heater will start the burner automatically and the Burner Indicator will light on the Remote Controller. When water taps are closed, the unit will stop the burner and Burner Indicator will be off on the Remote Controller.
- To switch the water heater OFF with Remote Control: from ON condition Press the Power Button.
 - The Digital Monitor and the ON Indicator should go off on the Remote Controller.
- To adjust the water temperature: Press the either the Hotter (Up) or Cooler (Down) Temperature Setting Button with the unit ON. (Temperature setting is only adjustable when the water heater is not in use).
- To Transfer and Lock the Control at Remote Controller: Press the Transfer Button with the unit ON. The Transfer Indicator should light and now temperature can only be adjusted at the Remote Control. Control cannot be transferred while burner is on.

To maximum water temperature setting can be limited by DIP switches. This manual setting overrides Remote Control temperature setting. Please call Grand Hall USA for DIP switch setting instructions if needed.

DANGER

- Hot water heater temperature over 125°F can cause severe burns instantly or death from scalding.
- Children, disabled and elderly are at the highest risk of being scalded.
- Feel water temperature before bathing or showering.
- Temperature limiting valves are available, ask a professional person.



Water Temperature	Time to Produce a Serious Burn
120°F	More than 5 minutes
125°F	1.5 to 2 minutes
130°F	About 30 seconds
135°F	About 10 seconds
140°F	Less than 5 seconds
145°F	Less than 3 seconds
150°F	About 1.5 seconds
155°F	About 1 seconds

Grand Hall Limited Warranty

Grand Hall will warrant to the ORIGINAL PURCHASER of this Remote Controller Kit that it will be free of defects in material and workmanship for set period below from the date of purchase when installed and operated in a single-family residence in accordance with the instructions in the manual and all local/state/federal codes.

Remote Controller Kit - 1 Year Limited Warranty.

Grand Hall will require reasonable proof of your date of purchase. Save your receipt in case it is required as proof of purchase.

This Limited warranty is limited to repair or replacement of parts, at Grand Hall's option that proved to be defective under normal residential use utilizing potable water.

Grand Hall may require the return of defective parts for examination before issuing replacement parts or repairs. If you are required to return defective parts, transportation charges must be prepaid.

No returns will be accepted without prior authorization from Grand Hall.

Upon examination and to Grand Hall's satisfaction, if the original part is proven defective Grand Hall may approve your claim and elect to replace such parts without charge. You are responsible for shipping charges of such replacement parts.

This Warranty does not cover any failures or operating difficulties due to accident, abuse, misuse, alteration, misapplication, vandalism, improper installation, maintenance or service, as set out in this Operator's Manual.

Deterioration or damage due to severe weather conditions such as hail, hurricane, earthquakes, tsunami, tornadoes, Acts of God or terrorism, discoloration due to exposure to chemicals either directly or in the atmosphere, is not covered by this Limited Warranty.

If service from authorized personnel is necessary to perform any work, you will be responsible for all labor charges.

All replacement parts will carry out the remainder of warranty on the original parts.

To Obtain Warranty

Call 1-866-946-1096

8am - 4:30pm CST

Warranty Restrictions

- This warranty applies only when the water heater is used in the United States and Canada.
- This warranty gives you specific legal rights, and you may also have other rights which vary from state to state.

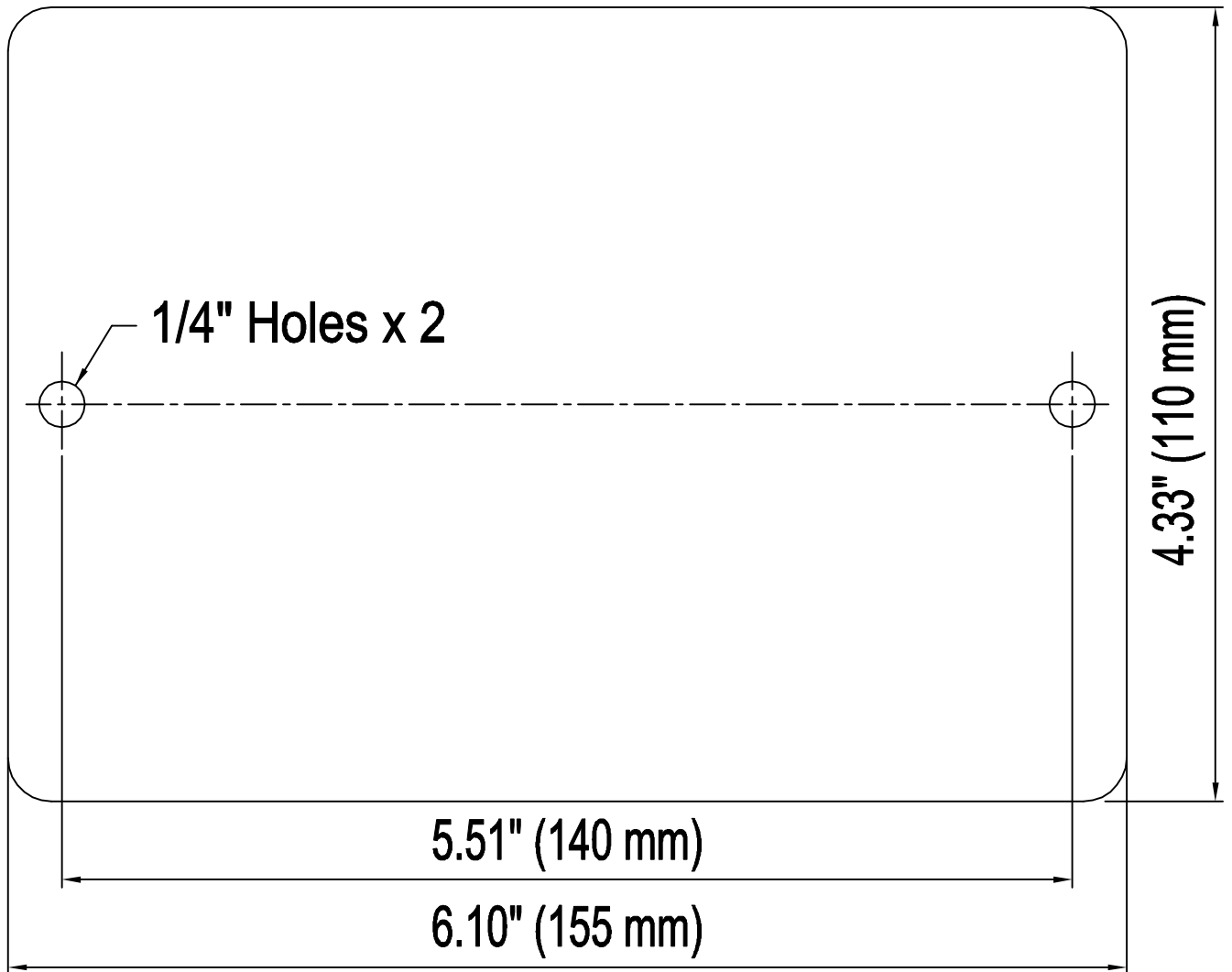
Manufacturer:

Grand Hall Enterprise Co., Ltd.

9th Fl., No.298, Rueiguang Rd., Neihu,

Taipei, Taiwan (114)

Remote Controller Mounting Template



SCALE 1:1