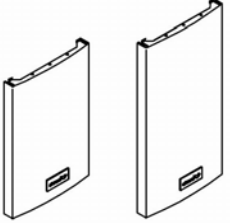
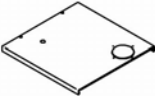
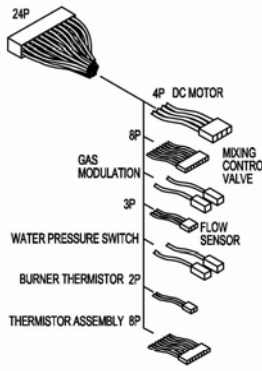
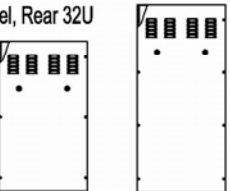
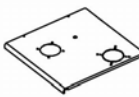
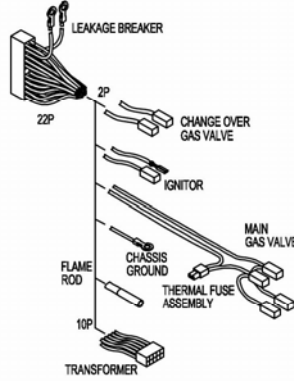
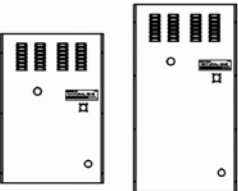
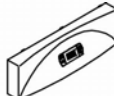
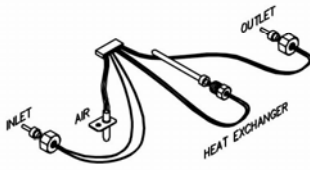
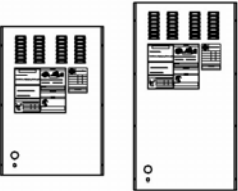
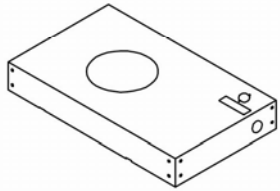
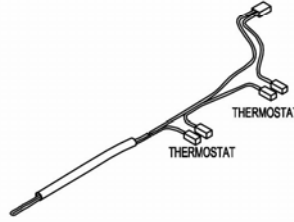

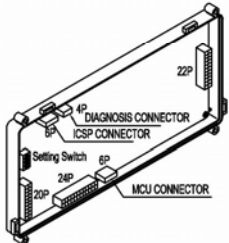
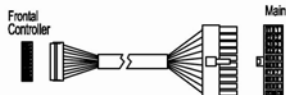

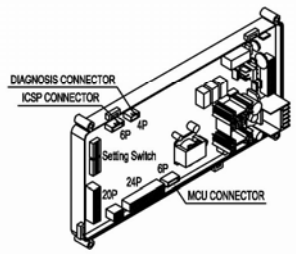
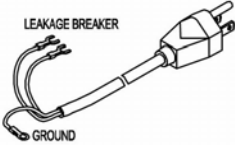
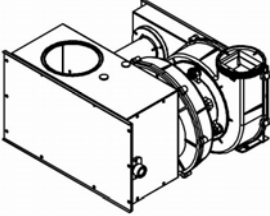
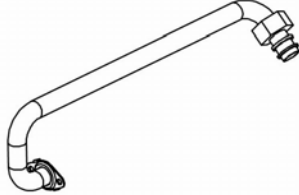
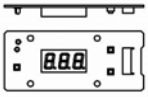
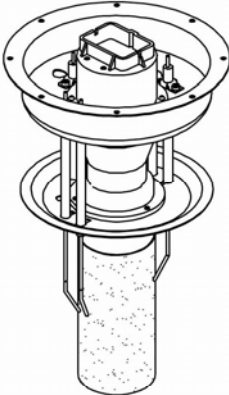
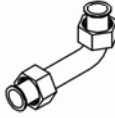
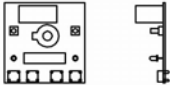
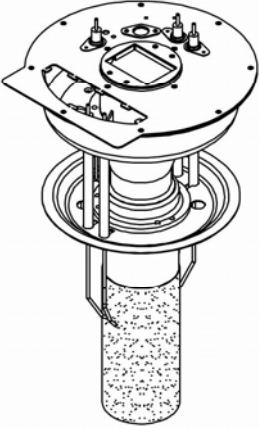
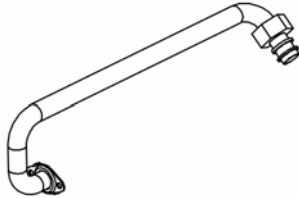
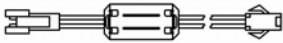
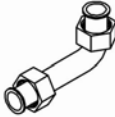
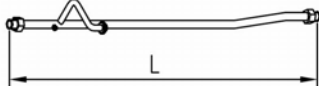
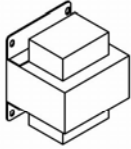
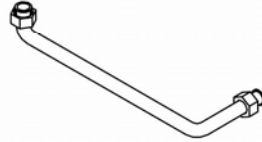
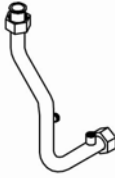

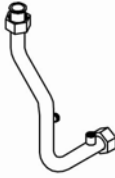
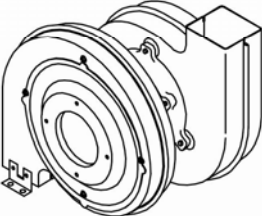

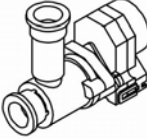
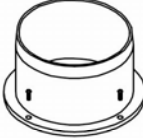




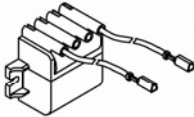


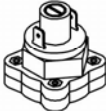

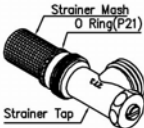

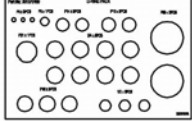
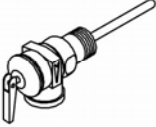


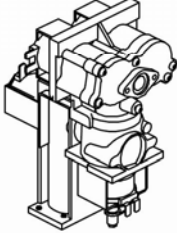
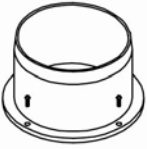





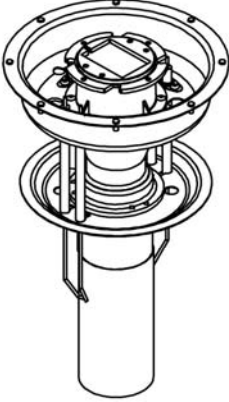



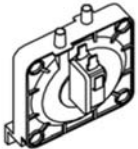
Modular Parts Diagrams

Grand Hall USA, Inc. 3838 West Miller Road Garland, Texas 75041 TEL 866 946 1096 FAX 972 279 8440 www.eternalwaterheater.com

<p>1 2</p>	<p>Panel, Front 26U Assembly Panel, Front 32U Assembly</p> 	<p>12 Panel, Top/Rear</p> 	<p>23 24P-Main Wire</p> 
<p>3 4</p>	<p>Panel, Rear 26U Panel, Rear 32U</p> 	<p>13 Panel, Top/Rear (DV) Assembly</p> 	<p>24 22P-Main Wire</p> 
<p>5 6</p>	<p>Panel, Left 26U Assembly Panel, Left 32U Assembly</p> 	<p>14 Front Control Panel Assembly</p> 	<p>25 Thermistor Assembly</p> 
<p>7 8</p>	<p>Panel, Right 26U Assembly Panel, Right 32U Assembly</p> 	<p>15 Panel, Bottom</p> 	<p>26 Thermal Fuse Assembly</p> 
<p>9 10</p>	<p>Panel, Right 26U Assembly Panel, Right 32U Assembly</p> 	<p>16 Main Controller 26U - 1st gen 17 Main Controller 26U - 2nd gen 18 Main Controller 32U - 1st gen 6.0B 19 Main Controller 32U - 1st gen 7.2B 20 Main Controller 32U - 2nd gen</p> 	<p>27 20P-Frontal Wire</p> 
<p>11</p>	<p>Panel, Top/Front</p> 	<p>21 Main Controller 26U (DV) 22 Main Controller 32U (DV)</p> 	

28	Power Wire Assembly 	38 39 Dual Blower 26U (DV) Assembly Dual Blower 32U (DV) Assembly 	43 Gas Tube B 
29	Controller/Front 	40 Burner Assembly 	44 Gas Tube DV A 
30	Leakage Breaker 120 	41 Burner (DV) Assembly 	45 Gas Tube DV BF 
31	EMI Filter 	42 Gas Tube A 	46 47 Cold Water Tube A 26U(L=27.64") Cold Water Tube A 32U(L=35.13") 
32 33	Transformer 26U Transformer 32U 	48 Cold Water Tube B 	49 Hot Water Tube 
34 35	Thermostat Hot (194°F) Thermostat Flame (221°F) 	49 Hot Water Tube 	
36 37	Dual Blower 26U Assembly Dual Blower 32U Assembly 		

50	Water Fitting(SUS304) 	57	Mixing Valve 	64	Exhaust Top 
51	T Connector(SUS304) 	58	Water Flow Sensor 	65	Exhaust Top Packing 
52	Strainer Body(SUS304) 	59	Ignitor 120 	66	Air Tube(D11) : Ø8x240 
53	Drain Valve Assembly P1.0 	60	Pressure Switch 	67	Air Tube(D7) : Ø8x240 
54	Drain Valve Assembly P1.5(SUS304) 	61	Exhaust Collar Assembly 	68	O-Ring Pack 
55	T & P Relief Valve 	62	Exhaust Flange 	69	Plug 
56	Gas Valve 	63	Intake Top Assembly 	70	Clamp 4" 
				71	Clamp 

72	Mesh Screen 	79 Burner Assembly(Aluminum) 			
73	Cord Band 				
74	Operator's Manual Package 				
75	Operator's Manual Package (DV) 				
76 77	Air Pressure Switch 5" Air Pressure Switch 8" 				
78	Dual Blower 32U Assembly (Aluminum) 