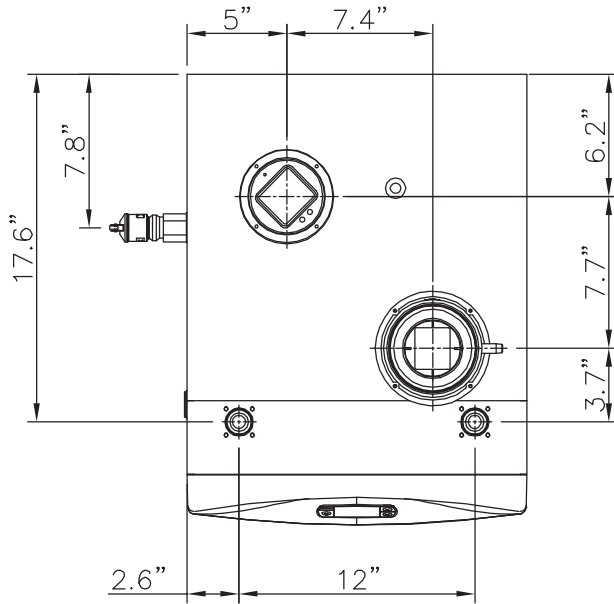


DIMENSIONS

Direct Vent



Power Vent

