

DETROIT RADIANT

**RE-VERBER-RAY**

RADIANT GAS HEATERS®

PRODUCTS COMPANY

COMMERCIAL & INDUSTRIAL

SERIES

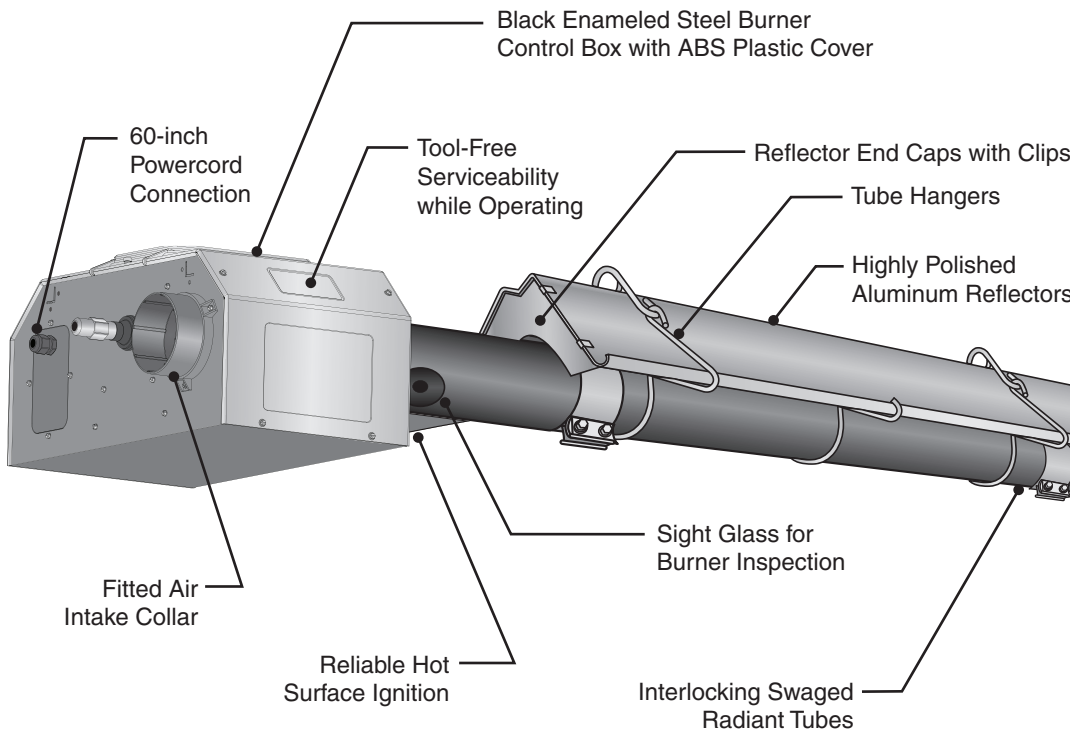


# XTS3 SERIES

**GAS-FIRED, SINGLE STAGE, INFRA-RED HEATERS**

The XTS3 Series of low intensity infra-red tube heaters offers a balance between features, performance and price. This heater series has many of the quality and performance features found in the higher end Re-Verber-Ray® Series. Features include an advanced stainless steel burner, hot surface ignition, highly polished aluminum reflectors and options for upgrades. The XTS3 Series represents reliable performance and good construction features.

## PRODUCT FEATURES



## SPECIFIC FEATURES



- Tool-free access to controls.
- Serviceability while unit is operating.
- Separated air and gas burner chamber.
- Symmetrical placement of ignition tube.
- Hinged control compartment provides ease in servicing.
- 3-piece independent compartment cover.
- ABS plastic air intake collar for connection to 4" PVC/DWV pipe.

## PRODUCT FEATURES COMPARISON CHART

	HL3	DX3	XTS3	DET3	DES3
Highly Polished Aluminum Reflectors	•	•	●	•	•
Coated Titanium or Aluminized Combustion Chamber	•	•	●	•	•
Coated Aluminized Radiant Tubes	•	•			
Hot Surface Ignition	•	•	●		
Stainless Steel Flexible Gas Connector	•	•	●	•	•
Ball Valve (1/2" Brass) with Pressure Tap Included	•	•			
Two-stage Technology				•	
Interlocking Swaged Tubes	•	•	●	•	•
Stainless Steel Models Available*	•	•			
Reflector End Caps Included	•	•	●		
Optional 'U' or 'L' Configurations Available	•	•	●	•	•

\* Select upgrades available; full stainless models are available in the HL2 and DX2 Series offering.

## DETROIT RADIANT PRODUCTS CO.

21400 Hoover Rd.  
Warren, MI 48089-3162

Phone: (586) 756-0950  
Toll Free: 1-800-222-1100  
Fax: (586) 756-2626  
E-mail: sales@drp-co.com  
Website: www.reverberray.com

## VISIT OUR WEBSITE FOR:

- Product Specs
- Parts Support
- Dealer Locator
- Applications
- C.A.D. Library
- Design Guidelines
- Theory of Infra-red
- and More!

# XTS3 SERIES

## SPECIFICATIONS

### PRODUCT SPECIFICATIONS

<b>BTU Range:</b>	50-200 MBH
<b>Lengths:</b>	20-60 Ft.
<b>Gas Type:</b>	Natural or Propane
<b>Combustion Chamber:</b>	Coated Aluminized or Titanium
<b>Radiant Tubes:</b>	Hot-Rolled Steel
<b>Certification:</b>	CSA, IAS
<b>Limited Warranty:</b>	1-3-5 (Components-Tubes-Burner)

### OPTIONAL EQUIPMENT

<b>"U" or "L" Configurations:</b>	Available (RU, RE)
<b>Stainless Steel Upgrades:</b>	Available (SSRAO, SSC, SSB)
<b>24V Controls:</b>	Available (24VAO)
<b>Indicator Lights:</b>	Available (IND-LT)
<b>Protective Guards:</b>	Available (PG)
<b>Side Shield Extensions:</b>	Available (SSE)
<b>Outdoor Approval:</b>	Not Available



### ELECTRICAL

- 120V, 60Hz
- 4.8A starting, 1.1A running

### CONTROL BOX

- Potted circuitry
- 120V thermostat control
- ABS plastic cover

### TUBE CONSTRUCTION

- As shown at left
- 4" x 10' 16 ga. construction
- Labor saving, interlocking swaged tube design

### REFLECTORS

- Highly polished aluminum
- End caps included
- 0° - 45° rotatable angle
- Tension springs

### IGNITION/SENSE

- Hot surface ignition
- Flame rod sense

### VENTING

- 4" single vent
- 6" common vent (with single thermostat)
- SK caps on 200 MBH models

### GAS CONNECTION

- 1/2" NPT flexible connector

### GAS PRESSURES

- MAN. - 3.5" NAT or 10.0" LP
- MIN. - 5.0" NAT or 11.0" LP
- MAX. - 14.0" NAT or 14.0" LP

### COMBUSTION AIR

- Equipped for ducted air intake from roof or sidewall

### KIT CONTENTS

- All hangers & couplers
- Reflector end caps
- Turbulator baffle(s)

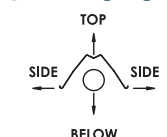
## AVAILABLE XTS3 MODELS & CLEARANCES

MODEL #	GAS*	BTU/H	LENGTH	WEIGHT	RECOMMENDED MOUNTING HEIGHTS**
XTS3-20-50	N or LP	50,000	21' - 9"	120#	9' - 14'
XTS3-20-60	N or LP	60,000	21' - 9"	120#	10' - 15'
XTS3-20-75	N or LP	75,000	21' - 9"	120#	11' - 18'
XTS3-30-50	N or LP	50,000	31' - 5"	160#	10' - 15'
XTS3-30-60	N or LP	60,000	31' - 5"	160#	11' - 18'
XTS3-30-75	N or LP	75,000	31' - 5"	160#	12' - 20'
XTS3-30-100	N or LP	100,000	31' - 5"	160#	13' - 23'
XTS3-40-50	N or LP	50,000	41' - 1"	190#	11' - 18'
XTS3-40-60	N or LP	60,000	41' - 1"	190#	11' - 18'
XTS3-40-75	N or LP	75,000	41' - 1"	190#	12' - 20'
XTS3-40-100	N or LP	100,000	41' - 1"	190#	13' - 23'
XTS3-40-125	N or LP	125,000	41' - 1"	190#	14' - 25'
XTS3-40-150	N or LP	150,000	41' - 1"	190#	15' - 27'
XTS3-50-100	N or LP	100,000	50' - 9"	235#	15' - 27'
XTS3-50-125	N or LP	125,000	50' - 9"	235#	15' - 27'
XTS3-50-150	N or LP	150,000	50' - 9"	235#	16' - 30'
XTS3-50-175	N or LP	175,000	50' - 9"	235#	17' - 35'
XTS3-50-200	N or LP	200,000	50' - 9"	235#	18' - 40'
XTS3-60-125	N or LP	125,000	60' - 5"	265#	16' - 30'
XTS3-60-150	N or LP	150,000	60' - 5"	265#	17' - 35'
XTS3-60-175	N or LP	175,000	60' - 5"	265#	17' - 35'
XTS3-60-200	N or LP	200,000	60' - 5"	265#	18' - 40'

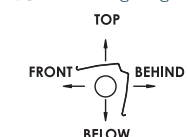
\* Specify natural (N) or propane (LP) gas.

\*\* Recommended mounting heights are provided as a guideline. Actual conditions may dictate variations from the above data.

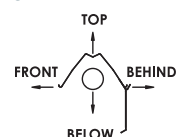
0° Mounting Angle



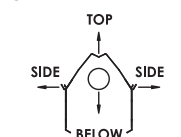
45° Mounting Angle



0° W/ 1 Side Shield



0° W/ 2 Side Shields



DISTRIBUTED BY:



### XTS3 CLEARANCES TO COMBUSTIBLES (IN.)

MODEL NO.	MOUNTING ANGLE	SIDE			
		FRONT	BEHIND	TOP	BELOW
XTS3-(20,30,40)-(50,60)	0°	9	9	6	47
	45°	39	8	10	47
W/1 Side Shield	0°	29	8	6	47
W/2 Side Shields	0°	9	9	6	47
20 ft. from Burner	0°	7	7	6	30
XTS3-(20,30,40)-75	0°	9	9	6	60
	45°	39	8	10	60
W/1 Side Shield	0°	29	8	6	60
W/2 Side Shields	0°	9	9	6	60
20 ft. from Burner	0°	7	7	6	30
XTS3-(30,40,50)-100	0°	14	14	6	66
	45°	39	8	10	66
W/1 Side Shield	0°	29	8	6	66
W/2 Side Shields	0°	16	16	6	66
20 ft. from Burner	0°	7	7	6	30
XTS3-(40,50,60)-125	0°	20	20	6	76
	45°	58	8	10	76
W/1 Side Shield	0°	42	8	6	76
W/2 Side Shields	0°	20	20	6	76
20 ft. from Burner	0°	7	7	6	30
XTS3-(40,50,60)-150	0°	24	24	6	81
	45°	58	8	10	81
W/1 Side Shield	0°	42	8	6	81
W/2 Side Shields	0°	23	23	6	81
20 ft. from Burner	0°	11	11	6	44
XTS3-(50,60)-175	0°	34	34	6	92
	45°	63	8	10	92
W/1 Side Shield	0°	50	8	6	92
W/2 Side Shields	0°	30	30	6	92
20 ft. from Burner	0°	11	11	6	44
XTS3-(50,60)-200	0°	41	41	6	94
	45°	63	8	10	94
W/1 Side Shield	0°	54	8	6	94
W/2 Side Shields	0°	30	30	6	94
20 ft. from Burner	0°	11	11	6	44

Always maintain the published clearances to combustibles. Clearances published in XTS3 Series manual and on warning label supersede data shown on this brochure.