

## Premier Series Non-Programmable Thermostats

**MODEL 3000** Single Stage Heat / Cool  
Conventional and Heat Pump

**MODEL 3200** Multi-Stage 2 Heat / 2 Cool  
Conventional and Heat Pump

**Before Installing, Programming or Operating,  
PLEASE READ ALL INSTRUCTIONS**

- |                                      |  |
|--------------------------------------|--|
| <b>1 Specifications</b>              | <b>5 Additional Operation Features</b> |
| <b>2 Installation</b>                | <b>6 Trouble Shooting</b>              |
| <b>3 Testing Your New Thermostat</b> | <b>7 Wiring Diagrams</b>               |
| <b>4 Programming User Settings</b>   |  |

## WARNING

### Important Safety Information

- Always turn off power to the air conditioning or heating system prior to installing, removing, cleaning or servicing thermostat.
- This thermostat is a dual power thermostat and either requires 24 Volts AC Power or two (2) properly installed "AA" alkaline batteries for normal operation and control of the heating or cooling system.
- This thermostat should only be used as described in this manual. Any other use is not recommended and will void the warranty.

## 1 Specifications

- Electrical Rating: 24 Volt AC (18-30 Volt AC)  
1 amp maximum load per terminal  
2 amp total maximum load (all terminals) (Model 3000)  
3 amp total maximum load (all terminals) (Model 3200)
- Control Range: 45° - 90° F (7° - 32° C)
- Accuracy: +/- 1° F (+/- .5° C)
- AC Power: 18-30 Volt AC
- DC Power: 3.0 Volt DC (2 AA Alkaline batteries included)

## 1 Specifications *cont.*

- Model 3000:** Compatibility with low voltage single stage gas, oil or electric heating or cooling systems, including single stage heat pumps; can also be used on 250mv to 750mv millivolt heating only systems.
- Model 3200:** Compatibility with low voltage multi-stage gas, oil or electric heating or cooling systems, including multi-stage heat pumps.
- Terminations, Model 3000:** Rc, Rh, B, O, Y, W, G, C  
**Terminations, Model 3200:** R, O, B, C, Y1, Y2, E/W1, W2, G, L

## 2 Installation

### Replacing Existing Thermostat

- Always turn off power to the air conditioning or heating system prior to removing existing thermostat.
- Remove the cover of your old thermostat and locate the wire terminals. Do not remove wires from terminals yet.
- Using small pieces of masking tape, label wires prior to removal from terminals. Use the chart below to determine the new terminal designations for your new thermostat.

| Old Terminal from Existing Thermostat | New Terminal for New Thermostat (Model 3000) | New Terminal for New Thermostat (Model 3200) | Terminal Description            |
|---------------------------------------|--|--|---------------------------------|
| V or Rc                               | Rc   |  | Cooling Transformer             |
| M, 4, Rh, or R                        | Rh   |  | Heating Transformer             |
| R, V-VR or VR-R                       |  | R  | 24 VAC                          |
| G or F                                | G  | G  | Fan Control                     |
| H, W or 4                             | W  |  | Heating Control                 |
| W1, W2, W-U or E                      |  | E/W1   | Emergency Heat / 1st Stage Heat |
| W2                                    |  | W2   | 2nd Stage Heat                  |
| Y                                     | Y  |  | Cooling Control                 |
| Y, Y1 or M                            |  | Y1   | 1st Stage Compressor            |
| Y2                                    |  | Y2   | 2nd Stage Compressor            |
| B                                     | B  | B  | Reversing Valve (Heating)       |
| O                                     | O  | O  | Reversing Valve (Cooling)       |
| C                                     | C  | C  | 24 VAC Common                   |
| L or X                                |  | L  | System Status LED               |

- After labeling and removing all wires from terminals, unscrew the existing thermostat sub-base from wall. Secure wires to prevent them from slipping into the hole in the wall.

## 2 Installation *cont.*

**NOTE—MODEL 3000:** This thermostat is designed for use with 24 Volt-AC low voltage single stage gas, oil or electric heating or cooling systems, including single stage heat pumps and can also be used on 250mv to 750mv millivolt heating only systems. Do not use this thermostat on applications with voltages above 30 Volts AC.

**NOTE—MODEL 3200:** This thermostat is designed for use with 24 Volt-AC low voltage multi-stage gas, oil or electric heating or cooling systems, including multi-stage heat pump systems. Do not use this thermostat on applications with voltages above 30 Volts AC.

### Installing Your New Thermostat

**NOTE:** If installing this thermostat in a new installation, locate the thermostat 4 to 5 feet above the floor in accordance with applicable building codes. Install the thermostat in a location that provides good airflow characteristics and avoid areas behind doors, near corners, air vents, direct sunlight or heat generating devices. Installation in these areas could impact thermostat performance. Wiring must conform to all building codes and ordinances as required by local and national code authorities having jurisdiction.

1. Turn off power to the air conditioning or heating system prior to installing thermostat.
2. Place system switch on front of thermostat to **OFF** position.
3. Place fan control switch on front of thermostat to **AUTO** position.
4. Remove front of thermostat body from sub-base by pressing release latch.
5. Place the thermostat sub-base against wall in the desired thermostat location.
6. Guide thermostat wires through hole in sub-base. Continue to hold against wall.
7. Mark placement of mounting holes and drill using a 3/16" drill bit.
8. Gently tap supplied plastic anchors into the holes in the wall.
9. Place the thermostat sub-base against the wall in the desired location, making sure the mounting holes are aligned and the thermostat wires are inserted through opening in sub-base.
10. Fasten sub-base to wall using supplied screws into the plastic wall anchors.
11. Connect wires to quick wiring terminal block as appropriate using the new terminal designations. See Section 7.
12. Make sure all of the wire connections are secure and are not touching any other terminal to prevent electrical shorts and potential damage to the thermostat.
13. Turn the front thermostat body over, exposing the rear view of the circuit board.
14. Locate the internal °F / °C switch on the circuit board. Using your fingers, flip the switch toward the preferred temperature °F / °C scale.
15. Locate the internal fan option switch, **HG** (Gas) / **HE** (Elec) on the circuit board. This switch controls the heating system fan delay. Select gas for gas or oil fired systems. This will allow the furnace to run for a few seconds before initiating the fan. Select electric for systems with electric furnace elements that require the fan to come on immediately. Using your finger, flip the switch toward the **HG** (Gas) or **HE** (Elec).
16. Locate the internal **NORM** / **HP** switch on the circuit board. This switch configures the thermostat for conventional (NORM) heating and cooling systems or heat pump (HP) systems. Using your fingers, flip the switch toward the **NORM** or **HP**.
17. **MODEL 3200 ONLY:** Locate the auxiliary heat option switch, **AE-AG**, on the circuit board. For electric auxiliary heat units, the switch should be set to the **AE** position. For units with gas or oil auxiliary heat, move the switch to the **AG** position. This will lock out the compressor stage 1 minute after a second stage heat call for maximum efficiency.

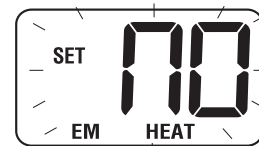
2

## 2 Installation *cont.*

18. Attach front body of thermostat to sub-base of thermostat, being careful to align the terminal pins on the front body with the terminal block on the sub-base.
19. Open front thermostat door and open battery compartment door.
20. Install two new "AA" alkaline batteries. Locate the positive (+) ends of the batteries and match them with the positive (+) terminals located in the battery compartment. Close battery compartment.
21. Restore system power so you can test installation.

**NOTE:** If batteries were installed prior to accomplishing steps 14 through 16, you will need to reset the thermostat to register thermostat switch configurations prior to programming any user settings. Gently press the **RESET** button on the front of the thermostat using a paper clip or a small pencil tip.

**NOTE—MODEL 3200:** If the thermostat is configured for a conventional system and the system switch is in the **EM HEAT** position, the unit will still function in a conventional 2 stage **HEAT** mode, but the display will flash **NO EM HEAT SET**.



## 3 Testing Your New Thermostat

### **WARNING!** Read *BEFORE* Testing

- Do not short (or jumper) across terminals on the gas valve or at the heating or cooling system control board to test the thermostat installation. This could damage the thermostat and void the warranty.
- Do not select **COOL** mode if the outside temperature is below 50° F (10° C). This could damage the controlled cooling system and may cause personal injury.
- This thermostat includes an automatic compressor protection feature to avoid potential damage to the cooling system from short cycling. This thermostat automatically provides a 5-minute delay after turning off the cooling or heating system output to protect the compressor.

**NOTE:** Test your thermostat prior to programming any user settings. Pressing the **RESET** button will erase any user entries previously programmed and return them to their default values.

1. Place the system switch in the **HEAT** position.
2. Press the **▲** button on the keypad until the set point temperature setting is a minimum of 3 degrees higher than the current room temperature. The heating system should start within several seconds. The fan may not turn on immediately due to the heating system built-in fan delay.
3. Place the system switch in the **OFF** position. The heating system should stop within several seconds on conventional heating or cooling systems. On heat pump systems, you must wait 5 minutes for the automatic compressor short cycle protection period to expire, or press the **RESET** button to bypass this feature for initial testing purposes. Pressing the **RESET** button will erase any user program settings.
4. Place the system switch in the **COOL** position.
5. Press the **▼** button on the keypad until the set point temperature is a minimum of 3 degrees lower than the current room temperature.

3

## 3 Testing Your New Thermostat *cont.*

- The cooling system should start within several seconds. Place the system switch in the **OFF** position. The cooling system should stop within a few seconds.
- Place the fan switch in the **ON** position. The system blower should start.
- Place the fan switch in the **AUTO** position. The system blower should stop.

## 4 Programming User Settings

### Default Thermostat Settings

| Function                     | Status After Reset  |
|------------------------------|---|
| Operation Mode               | Normal Operating Mode   |
| Room Temperature             | 70° F (21.0° C), to be renewed within 5 seconds   |
| Set Point Temperature        | <u>According to system switch</u><br>Heat or Off: 62° F (17.0° C)<br>Emergency Heat (model 3200 only): 62° F (17.0° C)<br>Cool: 85° F (29.0° C) |
| Temperature Scale            | °F or °C dependent on switch setting  |
| Low Battery Warning          | Off, to be renewed within 5 seconds<br>Off if 24V is present  |
| 1st Stage Differential       | 0.5° F (0.3° C)   |
| 2nd Stage Differential       | 2° F (1.0° C) (model 3200 only)   |
| Short Cycle Protection Timer | Reset   |
| Output Relays                | Off   |
| Residual Cooling Fan Delay   | 60 Seconds  |
| Recirculating Fan Timer      | Reset with 120 Min. Off Cycle   |
| Keypad Lock                  | Unlocked  |

### Setting Temperature Differentials

The default settings for the first and second stage differentials are compatible with most systems and applications. This is normally set at time of installation and usually does not require any modification under normal operating conditions. If you feel that your system is turning on too often, simply follow the instructions below.

**NOTE:** The temperature differential settings are the same for both the heating and cooling systems.

### Setting First Stage Differential

The default setting is 0.5° F (0.25° C). The room temperature must change .5° F (0.25° C) from the set point temperature before the thermostat will initiate the system in heating or cooling.

- In normal operating mode, press and hold the **▲** and **▼** buttons at the same time for 3 seconds. LCD display will show "SET D1 X", where "X" equals the °F / °C differential setting. This is the current first stage differential setting.



- Press the **▲** or **▼** buttons to set the first stage differential to your desired setting of .5°, 1°, or 2° F (.25—displayed as .3°, .5° or 1° C).

4

## 4 Programming User Settings *cont.*

### Setting First Stage Differential (*continued from page 4*)

- Press both the **▲** and **▼** buttons at the same time again to change the next setting. For the model 3200, the next setting is the Second Stage Differential. For the model 3000, the next setting is the Residual Cooling Fan Delay, or wait 5 seconds for the thermostat to return to the normal operating mode.

### Setting Second Stage Differential (Model 3200 Only)

The default setting is 2° F (1.0° C). The room temperature must change 2° F (1.0° C) in addition to the first stage differential setting before the thermostat will initiate the second stage of the system in heating.

- Press and hold the **▲** and **▼** buttons at the same time again and the LCD display will show "SET D2 X", where "X" equals the °F / °C differential setting. This is the current second stage differential setting.

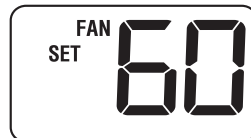


- Press the **▲** or **▼** buttons to set the second stage differential to your desired setting of 2°, 3°, 4°, 5° or 6° F (1°, 1.5°, 2°, 2.5° or 3° C).
- Press and hold the **▲** and **▼** buttons at the same time to change the residual cooling fan delay, or wait 5 seconds for the thermostat to return to the normal operating mode.

### Setting Residual Cooling Fan Delay

The default setting is 60 seconds. During the **COOL** mode of operation, the fan will stay on for 60 seconds after the cooling system has reached the set point temperature and has turned off the compressor. This improves system efficiency during cooling operation.

- The display will show "FAN SET XX", where "XX" is the fan delay time in seconds.
- Press the **▲** or **▼** button to change the Residual Cooling Fan Delay (0, 30, 60, or 90 seconds).
- Press both the **▲** and **▼** buttons at the same time again to change the Recirculating Fan cycle, or wait 5 seconds for the thermostat to return to the normal operating mode.



### Setting the Recirculating Fan Cycle (also see section 5)

The default is 24 minutes.

- The display will show "FAN OC SET XX", where "XX" is the maximum interval of time (in minutes) that the fan will remain off if the Recirculating Fan Mode is selected.
- Press the **▲** or **▼** button to change the Recirculating Fan off cycle (60, 40 or 24 minutes).
- Press both the **▲** and **▼** buttons at the same time again to return to the normal operating mode, or wait 5 seconds for the thermostat to return to the normal mode automatically.



**NOTE:** To erase all user program settings, gently press the **RESET** button using a paper clip or a small pencil tip. This will return all thermostat settings to their default values, erasing all program settings entered by the user.

5

## 5 Additional Operation Features

### Review Set Temperature

1. Press and hold the **▲** or **▼** button. The current set point temperature will be displayed in place of the current room temperature, and the indicator **SET** will be displayed.
2. The display will return to normal operating mode when the **▲** or **▼** button is released. The **SET** indicator will turn off, indicating that the current temperature shown in the display is the room temperature.




### Changing Set Temperature

1. Press and hold **▲** or **▼** button for more than 1 second. The entire display will flash once and the **SET** indicator will be flashing. Release the **▲** or **▼** button and press the **▲** or **▼** button again to adjust the set temperature.
2. The display will return to normal operating mode after 5 seconds, or you can press both the **▲** and **▼** buttons at the same time to return to normal operating mode.
3. The **SET** indicator will turn off in the display, indicating that the current temperature shown in the display is the room temperature.



**NOTE:** Select either **COOL** or **HEAT** with the system switch to view or change cooling or heating set points.

### Recirculating Fan Mode (see section 4)

The Recirculating Fan Mode provides more even temperature distribution and improves indoor air quality by circulating air through the furnace filtration system more often. The Recirculating Fan Mode can be selected by moving the fan switch to the recirculate position . If no call for heating or cooling occurs within the fan off cycle set in section 4, the fan will run for 12 minutes. The highest setting, 60 minutes, will run the fan least often—17% minimum run time. The lowest setting, 24 minutes (factory default), will run the fan most often—33% minimum run time. During any call for heating or cooling, fan control operates in the AUTO mode. This feature is available in the HEAT, OFF, or COOL mode.

### Keypad Lockout

To prevent accidental or undesired adjustment of the thermostat set point, the Keypad Lockout feature disables the operation of the temperature setting keys, but not the backlight key. In order to enable the keypad lock, press and hold either the **▲** or **▼** button together with the backlight button for 5 seconds. The **LOCK** icon in the display will flash once per second, then appear continuously in the display. The keypad is now locked.



To unlock the keypad, press and hold either the **▲** or **▼** button together with the backlight key for 1 second. The **LOCK** icon will disappear from the display, and the key pad is now unlocked.

## 5 Additional Operation Features *cont.*

### Compressor Protection Feature

This thermostat includes an automatic compressor protection feature to avoid potential damage to the system from short cycling. This thermostat automatically provides a 5-minute delay after turning off the cooling system output to protect the compressor. This protection is also present in the heat mode of operation on heat pump systems to protect the compressor.

**NOTE:** The installer can bypass the compressor protection feature by pressing the **RESET** button. This will erase all user program settings, returning all settings to their default values. This should only be used during installation for testing purposes or to reset a thermostat to regain normal operation.

### Low Battery Detection and Replacement

This thermostat requires two (2) properly installed "AA" alkaline batteries to provide power for the thermostat if 24 volt AC power is not connected to the terminal block. This thermostat is equipped with a unique, three level low battery detection feature that constantly monitors the batteries during normal operating mode to determine whether they have sufficient power to provide proper operation.



When this feature determines that the battery status is low, a low battery indicator will appear in the display. After 30 days the battery indicator will start to flash, and after 60 days the battery indicator will begin to flash faster, indicating that the batteries need to be replaced immediately to maintain system operation and program settings.

### Replacing the Batteries

1. Open the front cover and locate the battery compartment door.
2. Remove the two "AA" alkaline batteries located in the battery compartment.
3. Install two new "AA" alkaline batteries into battery compartment. Make sure to match the positive (+) ends of the batteries with the positive (+) terminals located in the battery compartment.
4. Close battery compartment. The low battery indicator should not appear in the display.

### Non-Volatile Memory

In the event of a power failure, the Non-Volatile Memory feature allows all settings to be recovered, eliminating the need to reset temperature and differential settings. When AC power is restored after an outage or batteries are reinserted, all settings are retrieved from memory and reinstated.

## 5 Additional Operation Features *cont.*

### Status Indicators (Model 3200 Only)

There are three status indicators that can be displayed to notify you of key system information.

**AUX:** This will turn on when the auxiliary second stage of heating or cooling is active. The auxiliary stage of heating is usually the least economical stage of heat.



**CHECK:** Indicator will be displayed when a malfunction occurs in the heat pump system. When this light is active, call a professional service technician to verify system performance and switch the system to Emergency Heat mode if required to maintain room temperature.



**EM:** Indicator will be displayed when Emergency Heat Mode of operation is selected using the system selector switch. When selected, the heat pump stage of heat is turned off and the emergency (auxiliary) stage of heating is used to maintain the set point temperature.



## 6 Troubleshooting

**Symptom:** *Thermostat does not turn on heating or cooling system.*

**Potential Solution:** Check to see if **OFF** is shown in display. This indicates that the system is turned off at the thermostat. Move the system selector switch to the **HEAT** or **COOL** position. After the compressor short cycle protection 5-minute period expires, the system should start.

Compressor protection feature may be in effect due to compressor short cycle conditions. See Section 5.

Heating or cooling system may be malfunctioning. Call a professional service technician immediately to verify system operation.

**Symptom:** *Thermostat turns on heating instead of cooling or cooling instead of heating.*

**Potential Solution:** Check thermostat wiring to make sure that the heating and cooling stages are connected to the correct terminals on the wiring terminal block. See Section 7.

**Symptom:** *Thermostat turns heating or cooling system on too often or not often enough.*

**Potential Solution:** Increase or decrease temperature differential settings as appropriate to provide the desired performance level. See Section 4.

**Symptom:** *Low battery indicator is shown in thermostat display.*

**Potential Solution:** Replace batteries immediately to maintain proper system operation. See Section 5.

## 6 Troubleshooting *cont.*

**Symptom:** *OFF is shown in thermostat display and heating or cooling system will not start.*

**Potential Solution:** This indicates that the system is turned off at the thermostat. The thermostat must be in **HEAT** or **COOL** modes of operation to control the heating or cooling system. Move the system selector switch to the **HEAT** or **COOL** position.



**Symptom:** *Thermostat display is blank.*

**Potential Solution:** It is possible that AC power is not present at the thermostat and/or the batteries are drained. Check fuse, circuit breaker and thermostat wiring as appropriate to verify AC power is available. Replace batteries before reprogramming thermostat. See Section 5. If AC power is present, call a professional service technician to verify thermostat and system performance.

**Symptom:** *The room is too warm or too cold.*

**Potential Solution:** See Section 5. Review current set point and change as necessary.

**Symptom:** *Fan runs intermittently or when system is off.*

**Potential Solution:** Fan switch is in Recirculate Mode (R).

**Symptom:** *HI is shown in the thermostat display.*

**Potential Solution:** The temperature sensed by the thermostat is higher than the 99° F (37° C) upper limit of the thermostats display range. The display will return to normal after the sensed temperature lowers within the 40° to 99° F (4° to 37° C) display range. Turn on the cooling system or use other methods to lower the temperature accordingly.



This condition could occur from the system being turned off during an exceptionally warm period or upon installation when the thermostat has been stored for a long period of time in a warm vehicle or location prior to being installed.

**Symptom:** *LO is shown in the thermostat display.*

**Potential Solution:** The temperature sensed by the thermostat is lower than the 40° F (4° C) lower limit of the thermostat's display range. The display will return to normal after the sensed temperature rises within the 40° to 99° F (4° to 37° C) display range. Turn on the heating system to raise the temperature as needed for comfort within the room.



This condition could occur from the system being turned off during a cold weather period or upon installation when the thermostat has been stored for a long period of time in a cold vehicle or location prior to being installed. The thermostat should be allowed to warm up prior to installation in order to provide proper heating control once installed.

**Symptom:** *Cannot program a set point temperature higher than 90° F (32° C).*

**Potential Solution:** This is above the normal thermostat temperature setting range of 45° to 90° F (7° to 32° C).

## 6 Troubleshooting *cont.*

**Symptom:** Cannot program a set point temperature lower than 45° F (7° C).  
**Potential Solution:** This is below the normal thermostat temperature setting range of 45° to 90° F (7° to 32° C).

**Symptom:** Thermostat will not allow me to change the set point.  
**Potential Solution:** The keypad is locked. Press either the **▲** or **▼** key and the backlight key at the same time to unlock.

**Symptom:** Fan continues to run all the time whether the system is on or off.  
**Potential Solution:** Check to make sure the fan control switch is in the **AUTO** position. This will allow the fan to run only when the heating or cooling system is turned on and running.

Check thermostat wiring to make sure that the fan control wiring is connected to the correct terminals on the wiring terminal block. See Section 7.

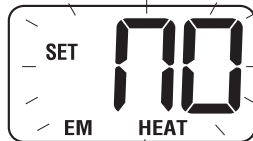
**Symptom:** CHECK is shown in thermostat display. (model 3200 only)

**Potential Solution:** Switch to emergency heat if heat is required. Please contact a professional service technician to verify thermostat and system performance.



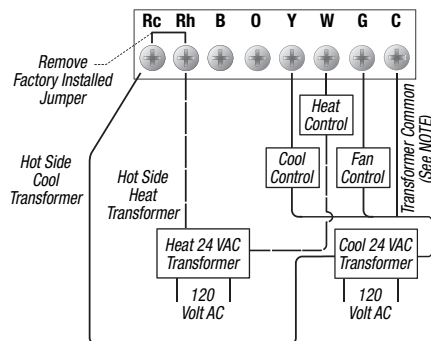
**Symptom:** NO EM HEAT SET is shown in the thermostat display. (model 3200 only)

**Potential Solution:** The thermostat (model 3200 only) is configured for a conventional system, and the system switch is in the **EM HEAT** position. The unit will still function in a conventional 2 stage **HEAT** mode, but the display will flash **NO EM HEAT SET**. Move the system switch to the **HEAT** position.



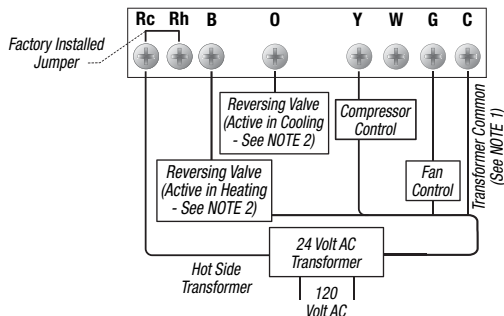
## 7 Wiring Diagrams *cont.*

MODEL 3000: Conventional Systems (Dual Transformer)



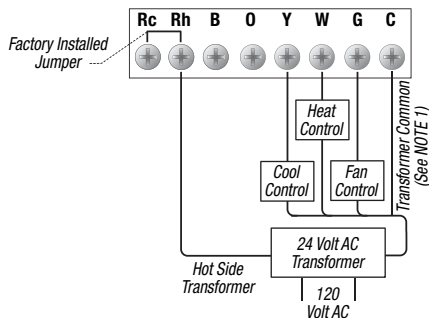
**NOTE:** Transformer Common connection not required for battery-only operation of thermostat.

MODEL 3000: Heat Pump Systems



**NOTES:** 1. Transformer Common connection not required for battery-only operation of thermostat. 2. For units requiring reversing valve to be energized during heating, connect reversing valve to B terminal. For units requiring reversing valve to be energized during cooling, connect reversing valve to O terminal.

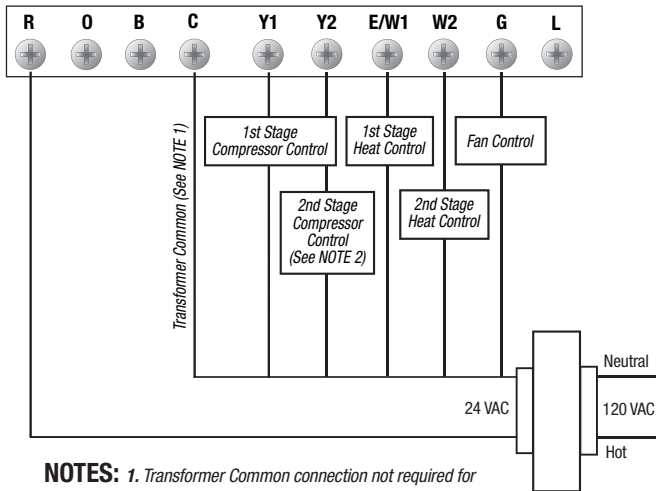
MODEL 3000: Conventional Systems (Single Transformer)



**NOTES:** 1. Transformer Common connection not required for battery-only operation of thermostat. 2. For Heating or Cooling Only system, ignore opposite connection. 3. For 2-wire 24 Volt AC or 250mv - 750mv Millivolt Heating Systems, ignore cooling connection and fan control.

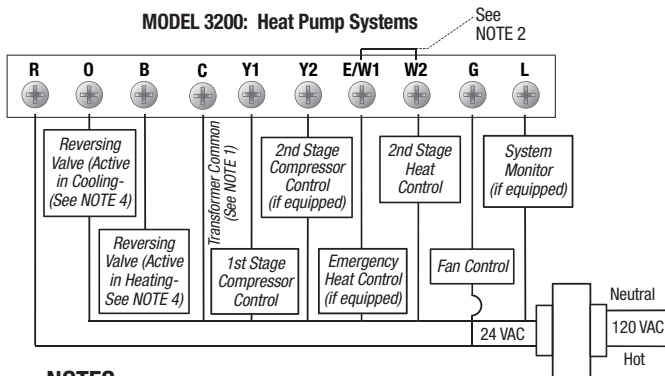


## MODEL 3200: Conventional Systems

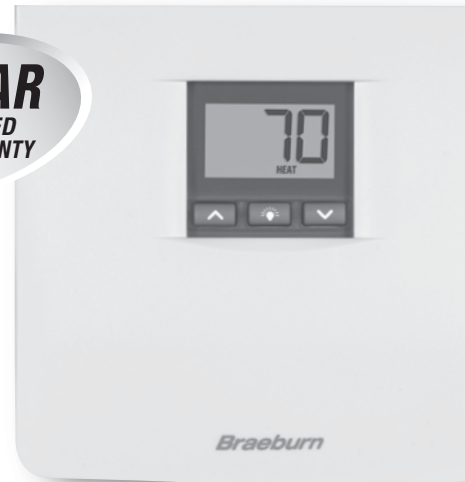


**NOTES:** 1. Transformer Common connection not required for battery-only operation of thermostat. 2. Eliminate connection to Y2 for units with single stage cooling.

## MODEL 3200: Heat Pump Systems



**NOTES:** 1. Transformer Common connection not required for battery-only operation of thermostat. 2. User installed Jumper is required to use Auxiliary heat for both second stage and emergency heat on units without separate emergency heat and auxiliary heat terminals. DO NOT install jumper if both terminals are present. 3. Eliminate connection to Y2 for units with single stage cooling. 4. For units requiring reversing valve to be energized during heating, connect reversing valve to B terminal. For units requiring reversing valve to be energized during cooling, connect reversing valve to O terminal.



**Store this booklet for future reference**

Braeburn Systems LLC warrants each new Braeburn thermostat against any defects that are due to faulty material or workmanship for a period of five years after the original date of purchase by a professional service technician. This warranty and our liability does not apply to batteries, nor does it include damage to merchandise or the thermostat resulting from accident, alteration, neglect, misuse, improper installation or any other failure to follow Braeburn installation and operating instructions.

Braeburn Systems LLC agrees to repair or replace at its option any Braeburn thermostat under warranty provided it is returned postage prepaid to our warranty facility in a padded carton within the warranty period, with proof of the original date of purchase and a brief description of the malfunction. This limited warranty does not include the cost of removal or re-installation.

This warranty gives you specific legal rights and you may also have other rights that vary from state to state or province to province. Answers to any questions regarding our limited warranty may be obtained by writing our corporate offices.

**WARRANTY FACILITY:** Braeburn Systems LLC  
Attn: Warranty Department  
2215 Cornell Avenue  
Montgomery, IL 60538

# Braeburn®

Braeburn Systems LLC  
2215 Cornell Avenue • Montgomery, IL 60538  
Technical Assistance: [www.braeburnonline.com](http://www.braeburnonline.com)  
Call us toll-free: 866-268-5599 (U.S. Only)  
630-844-1968 (Outside the U.S.)