

DESIGNLINE

DESIGNED TO LAST FOREVER

in bathrooms, kitchens, and everywhere
baseboards take a beating



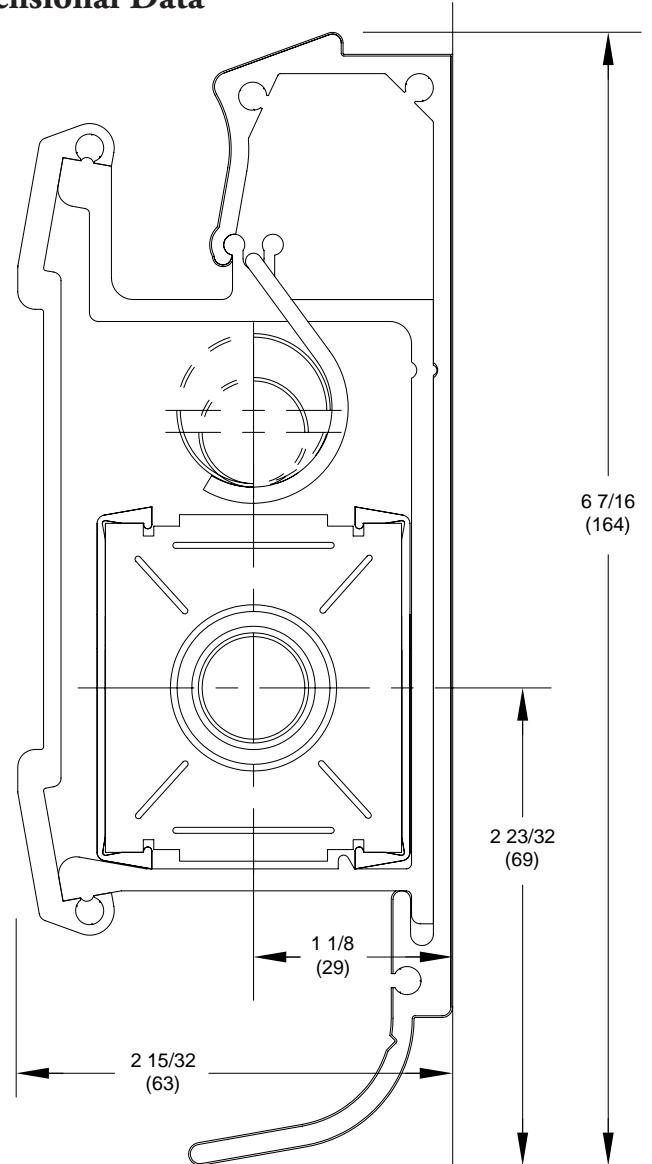
DESIGNLINE

Features

- Made of rust-proof, corrosion resistant extruded aluminum.
- Available in white or tan color.
- Durable 10 GA. cover, with 8 GA. brackets.
- Die cast aluminum accessories with locking pins for secure fit.



Dimensional Data



CAT-38038-1E

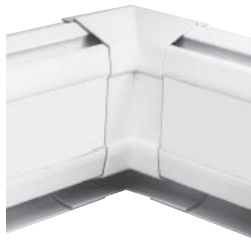
Ratings

BTUH PER LINEAL FOOT OF ACTIVE LENGTH AT AVERAGE WATER TEMPERATURES INDICATED °F						
DL-500 Assembled with 1/2" Element						
FLOW RATE (GPM)	150°	160°	170°	180°	190°	200°
4	270	320	370	420	470	520
1	260	300	350	400	440	490
RATING AND PRESSURE DROPS AT VARIOUS FLOW RATES						
GPM	1.0	1.5	2.0	2.5	3.0	
Lb. per Hr.	500	750	1,000	1,250	1,500	
I = B = R Factor to obtain rating at given flow	1,000	1,016	1,028	1,038	1,045	
DL-500 Element - P.D. Milinches Per Ft.	260	520	850	1,270	1,730	

Accessories



End Cap



Inside Corner



Wall Trim



Access Panel



Return Pipe Hanger

Description	Catalog Number	Master Carton Qty.	Description	Catalog Number	Master Carton Qty.
End Cap - Left Hand	D-EL	1	Wall Trim to Floor - 6"	D-WTF6	1
End Cap - Right Hand	D-ER	1	Access Panel - 4"	D-AP4	1
Inside Corner - 90°	D-IC	1	Access Panel - 6"	D-AP6	1
Wall Trim - 2"	D-WT2	1	Return Pipe Hangers	D-PH	1
Wall Trim - 4"	D-WT4	1	Outside and Special Angle Corners	CONSULT FACTORY	
Wall Trim to Floor - 4"	D-WTF4	1			