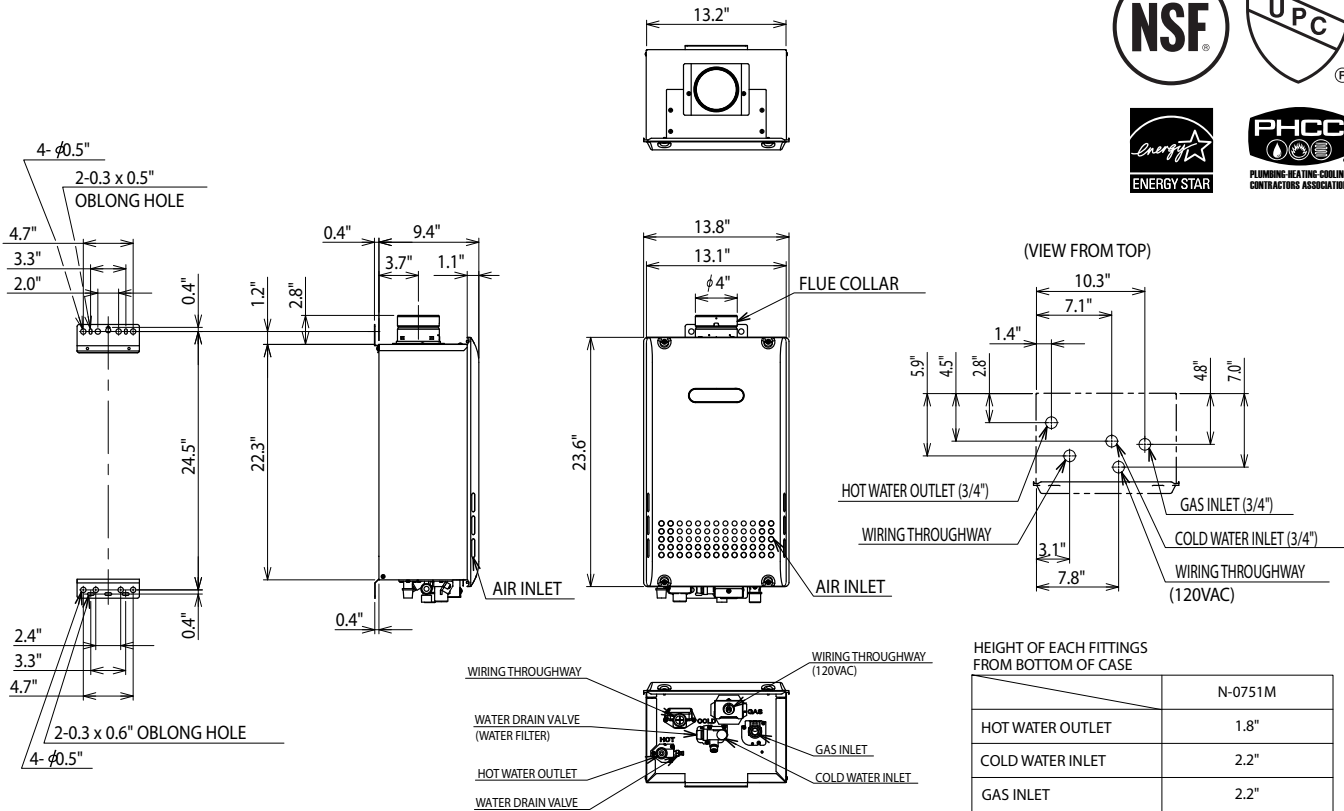


Model N-0751M Tankless Water Heater

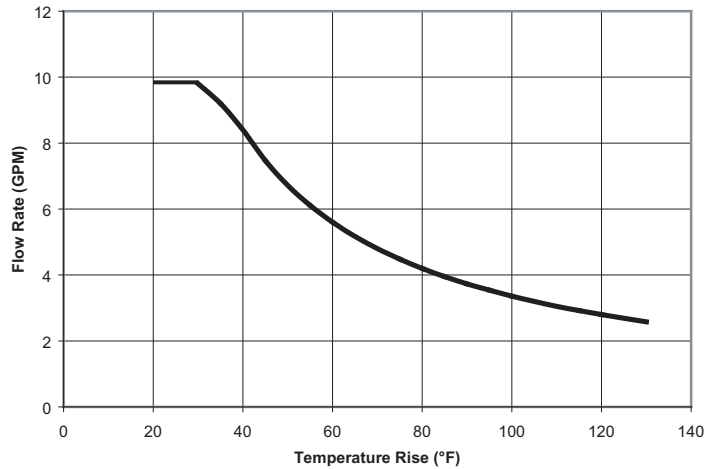


* This model is eligible for the Federal tax credit of up to 30% of the water heater and installation costs (up to \$1,500) when installed in a residence between 1/1/2009 through 12/31/2010.

Item	Specification
Model Name	N-0751M
Type	Indoor/Outdoor, Wall Hung
Installation	Power Vented
Air Supply/Exhaust	Direct Ignition
Ignition	15 - 150 PSI
Operating Water Pressure	0.5 GPM
Minimum Flow Rate	NG : 4.0" - 10.5" LP : 8.0" - 14.0"
Gas Supply Pressure	23.6"(Height) x 13.8"(Width) x 9.4"(Depth)
Dimensions	47 (pounds)
Weight	0.2 Gallon
Water Holding Capacity	Water Inlet 3/4"
Connection Sizes	Hot Water Outlet 3/4"
	Gas Inlet 3/4"
	Power
Supply	120VAC(60Hz)
Consumption	NG: 62W LP: 75W Freeze Prevention 145W
Material	Casing Zincified Steel Plate / Polyester Coating
	Flue Collar Stainless Steel
	Heat Exchanger Copper Sheetting, Copper Tubing
Safety Devices	Flame Rod, Thermal Fuse, Lightning Protection Device (ZNR), Overheat Prevention Device, Freezing Prevention Device, Fan Rotation Detector
Included Accessories	Remote Controller, Remote Controller Cord, Anchoring Screws
Optional Accessories	Isolation Valves (#IK-WV-4), Outdoor Vent Cap (#VC-4(-1)), Pipe Cover (#PC-2S), Remote Controller Outdoor Junction Box (#RC-OJB), ScaleShield (#SS-HB-1), Quick-Connect Cable (#QC-1M)

Model N-0751M Product Performance

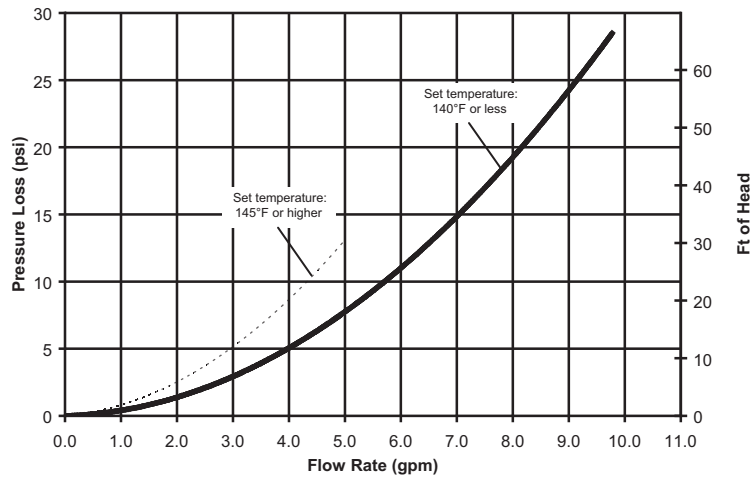
Flow Rates



Temperature Rise (°F)	20	30	40	45	50	60	70	80	90	100	110	120	130
Flow Rate (GPM)	9.8	9.8	8.4	7.5	6.7	5.6	4.8	4.2	3.7	3.4	3.1	2.8	2.6

*For peak flow rates in shaded areas, contact Noritz for proper setting.

Pressure Loss



Item		Maximum Performance	Minimum Performance
Gas Consumption	NG	199,900 btuh	12,000 btuh
	LP	199,900 btuh	12,000 btuh
Thermal Efficiency		84%	
Energy Factor		NG: 0.83 LP: 0.83	
Hot Water Capacity	35°F Rise	9.2 Gal./min.	
	45°F Rise	7.5 Gal./min.	
	77°F Rise	4.4 Gal./min.	
	100°F Rise	3.4 Gal./min.	
Capacity Range		0.5 - 9.8 Gal./min.	
Temperature Settings		100-150°F (In 5°F intervals) ,160, 170, 180°F (14 Options)	
Default Temperature Options		120, 130, 140, 180°F (Default is 120°F)	
Features		Quick-Connect (2 units), Pump Control, Temperature Lockout, High Elevation Adjustment	
Warranty		12/5- Residential, 3/5- Commercial or Circulation Use	
Approvals		CSA, UPC, NSF, Low NOx Approved By SCAQMD	

Noritz America reserves the right to discontinue, or change at any time, the designs and/or specifications of its products without notice.