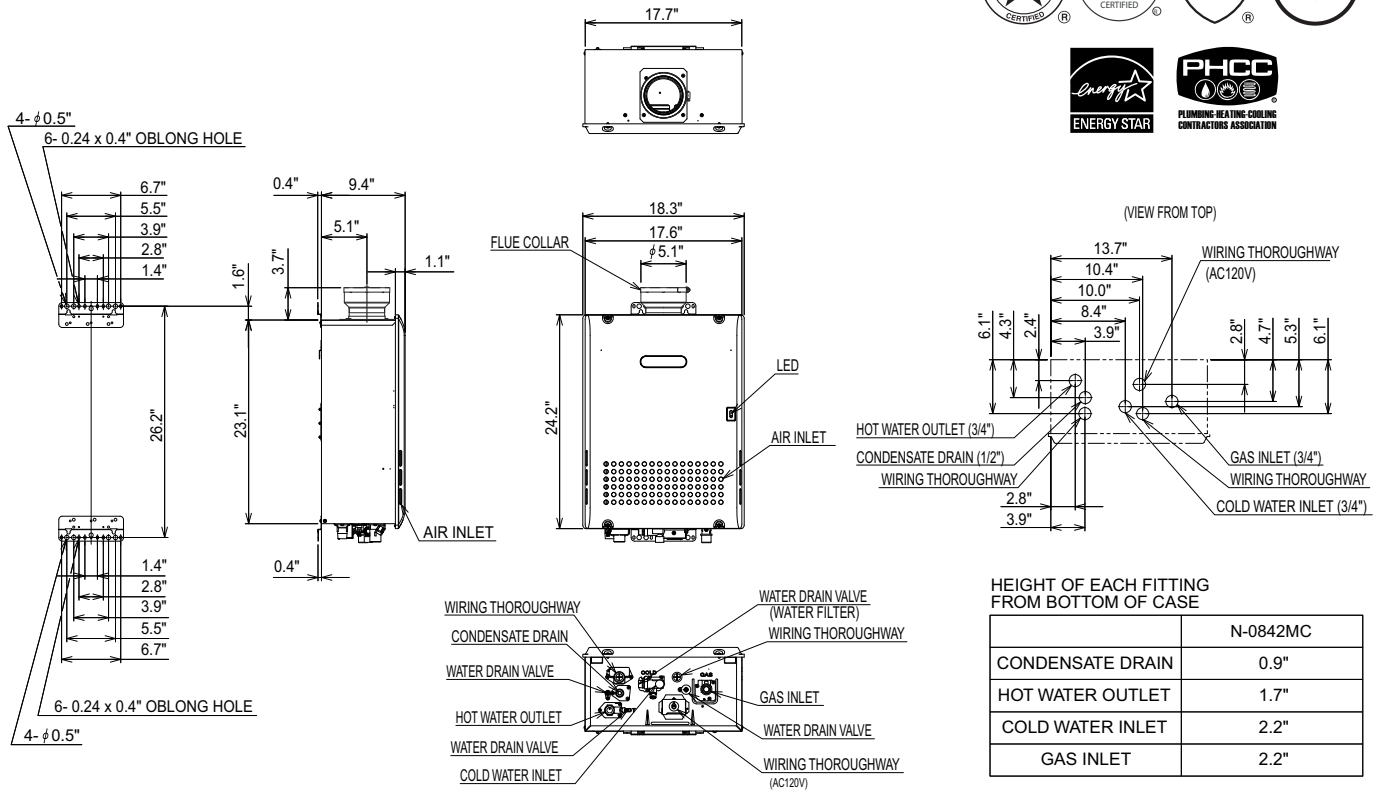


Model N-0842MC Condensing Tankless Water Heater

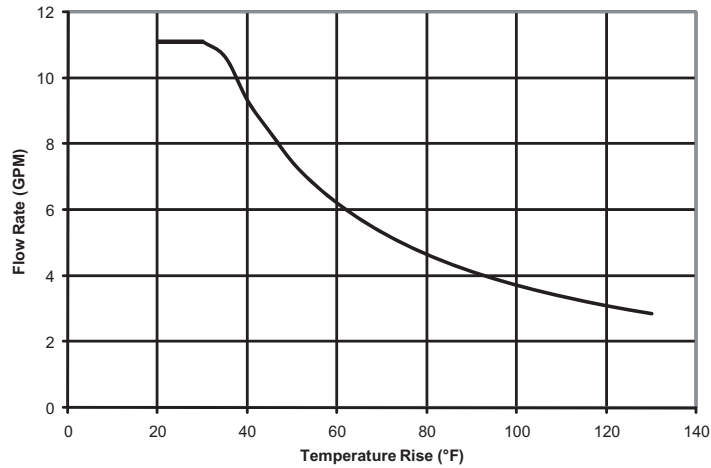


* This model is eligible for the Federal tax credit of up to 30% of the water heater and installation costs (up to \$1,500) when installed in a residence between 1/1/2009 through 12/31/2010.

Item	Specification
Model Name	N-0842MC
Type	Indoor/Outdoor, Wall Hung Power Vented, 4" Flue (PVC/CPVC Only)
Ignition	Direct Ignition
Operating Water Pressure	15 - 150 PSI
Minimum Flow Rate	0.5 GPM
Gas Supply Pressure	NG : 4.0" - 10.5" LP : 8.0" - 14.0"
Dimensions	24.2"(Height) x 18.3"(Width) x 9.4"(Depth)
Weight	74 (pounds)
Water Holding Capacity	0.5 Gallon
Connection Sizes	Water Inlet 3/4" Hot Water Outlet 3/4" Gas Inlet 3/4" Condensate Drain 1/2"
Power	Supply 120 VAC (60Hz) Consumption NG: 106W LP: 109W Freeze Prevention 213W
Material	Casing Zincified Steel Plate/Polyester Coating Flue Collar Stainless Steel Heat Exchangers Copper Sheetting, Copper Tubing (Primary), Stainless Steel (Secondary)
Safety Devices	Flame Rod, Thermal Fuse, Lightning Protection Device (ZNR), Overheat Prevention Device, Freezing Prevention Device, Fan Rotation Detector, Neutralizer Overfill Sensor
Included Accessories	Remote Controller, Remote Controller Cord, Anchoring Screws, Condensate Neutralizer, 4" PVC/CPVC Adapter
Optional Accessories	Isolation Valves (#IK-WV-4), Outdoor Vent Cap (#VC-4C), Birdscreen (#VT4-PVCS), Remote Controller Outdoor Junction Box (#RC-OJB), ScaleShield (#SS-HB-1), Quick-Connect Cable (#QC-1M), Multi-System Controller (#SC-201-6M, -12M, -24M), Pipe Cover (#PC-3S)

Model N-0842MC Product Performance

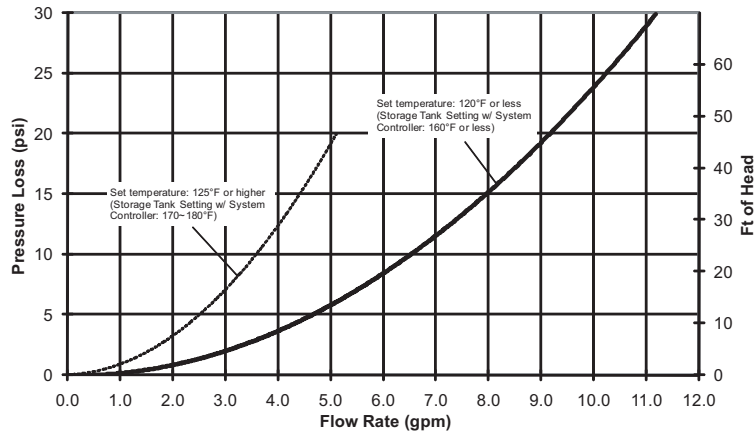
Flow Rates



Temperature Rise (°F)	20	30	40	45	50	60	70	80	90	100	110	120	130
Flow Rate (GPM)	11.1	11.1	9.3	8.4	7.4	6.2	5.3	4.6	4.1	3.7	3.4	3.1	2.9

*For peak flow rates in shaded areas, contact Noritz for proper setting.

Pressure Loss



Item		Maximum Performance	Minimum Performance
Gas Consumption	NG	199,900 btuh	11,000 btuh
	LP	199,900 btuh	11,000 btuh
Thermal Efficiency		93%	
Energy Factor		NG: 0.91 LP: 0.93	
Hot Water Capacity	35°F Rise	10.6 Gal/min.	
	45°F Rise	8.4 Gal/min.	
	77°F Rise	4.8 Gal/min.	
	100°F Rise	3.7 Gal/min.	
Capacity Range		0.5 - 11.1 Gal/min.	
Temperature Settings		100-150°F (In 5°F intervals), 160, 170, 180°F (14 Options)	
Default Temperature Options		120, 130, 140, 180°F (Default is 120°F)	
Features		Quick-Connect (2 units), Multi-System (Up to 24 units), Pump Control, Temperature Lockout, High Elevation Adjustment	
Warranty		12/5- Residential, 3/5- Commercial or Circulation Use	
Approvals		CSA, UPC, NSF, Low NOx Approved By SCAQMD	

Noritz America reserves the right to discontinue, or change at any time, the designs and/or specifications of its products without notice.