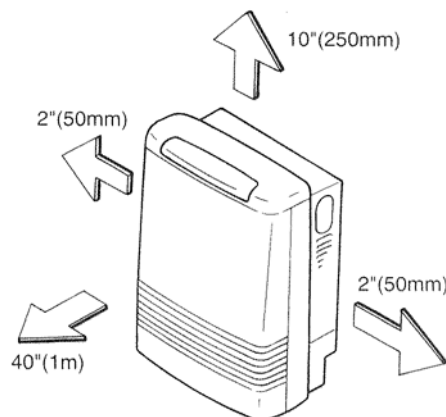


ENERGYSAVER Direct Vent Wall Furnace

	Natural Gas RHFE-263FA-N	Propane RHFE-263FA-P
Rinnai model number:		
Gas Rate (Input):	Btu/hr	Btu/hr
Low:	5,500	5,700
High:	11,000	11,000
Gas Rate (Output):		
Low:	4,450	4,600
High:	8,800	8,800
Efficiency Rating:	81%	81%
Gas Supply Pressure:	WC	WC
Min:	3.5"	8.0"
Max:	10.5"	13.0"
Description:	Fan forced flue gas furnace	
Connections:	Electrical – AC 120V 60Hz 47 watts Gas – ½" FNPT	
Combustion System:	Stainless steel Bunsen burner	
Ignition System:	Continuous spark	
Operating Buttons:	ON/OFF, Up/down, Function-lock, Economy	
Economy Mode:	Energy savings feature	
Humidifier Tray:	Capacity - 1.5 pints (700cc)	
Weight:	Approx. 37 lbs	
Dimensions:	Width: 16-3/4" Depth: 9-13/16" Height: 26-5/8"	
Clearance from Combustibles:	Side: 2" Top: 10" Front: 40"	



RHFE-263FA

Warm Air Outlet: Bottom front louvers

Fan CFM Output: Low: 96.4
High: 128.5

Operation: Finger touch control buttons

Temperature Control: Electronic thermostat HI-LOW/OFF, Up/Down switch 2°F increments

Temperature Range: LOW=55°F 60°F~80°F HI=High Combustion

Safety Devices: Flame failure – flame rod
Over heat – Bi-metal switch, thermal fuse, thermistor
Power failure - PCB
Power surge – 3 Amp fuse
Fan delay – Micro computer timer
Pre-purge – Combustion fan, pre-purge timer, spark sensor
Room over heat – Automatic cut off at 104°F after 10 minutes
Child Safety Lock

Control Panel:

