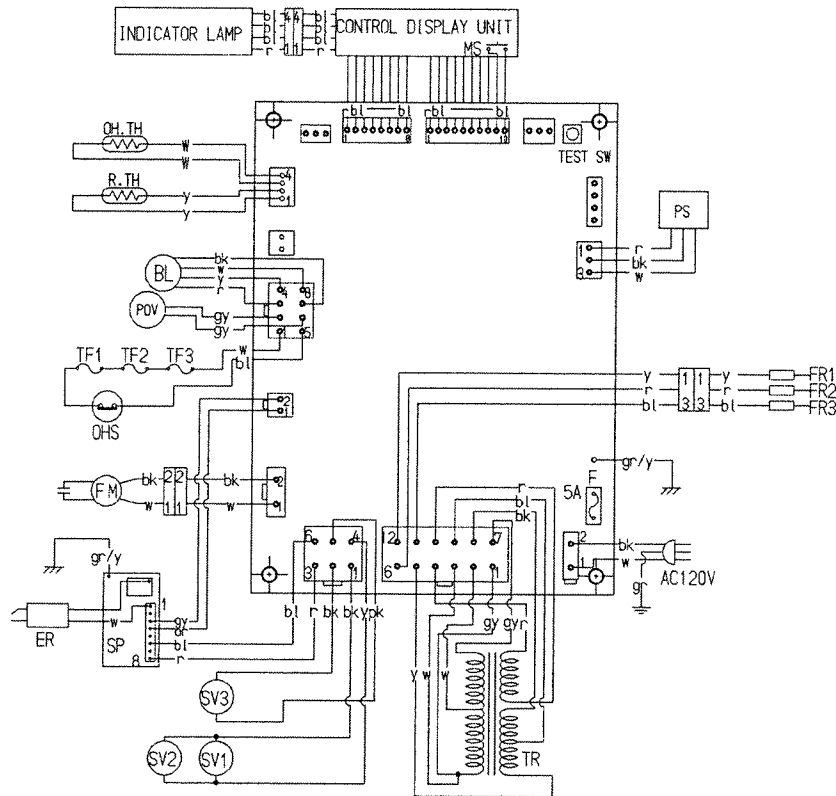


# Rinnai

## WIRING DIAGRAM

### RHFE-1004FA



CODE	COLOR
bk	black
bl	blue
br	brown
gr	green
gr/y	green/yellow
pl	purple
r	red
w	white
y	yellow
gy	grey
or	orange

MARK	PART NAME
MS	MAIN SWITCH
TH	THERMISTOR
TF	THERMAL FUSE
F	FUSE
ER	ELECTRODE
POV	MODULATING SOLENOID VALVE
TR	TRANSFORMER
FR	FLAME ROD

MARK	PART NAME
OH. TH	OVER HEAT THERMISTOR
OHS1~3	OVER HEAT SWITCH
FM	CONVECTION FAN MOTOR
SP	SPARKER
SV1~2	MAIN SOLENOID VALVE 1~2
BL	COMBUSTION FAN MOTOR
RCR	REMOTE CONTROL RECEIVER
TB	TERMINAL BLOCK

If any of the original wire as supplied with the appliance must be replaced, it must be replaced with a wire of a least a 194°F temperature rating and number 18AWG or its equivalent. "CAUTION: Label all wires prior to disconnection when servicing controls. Wiring errors can cause improper and dangerous operation." Verify operation after servicing.