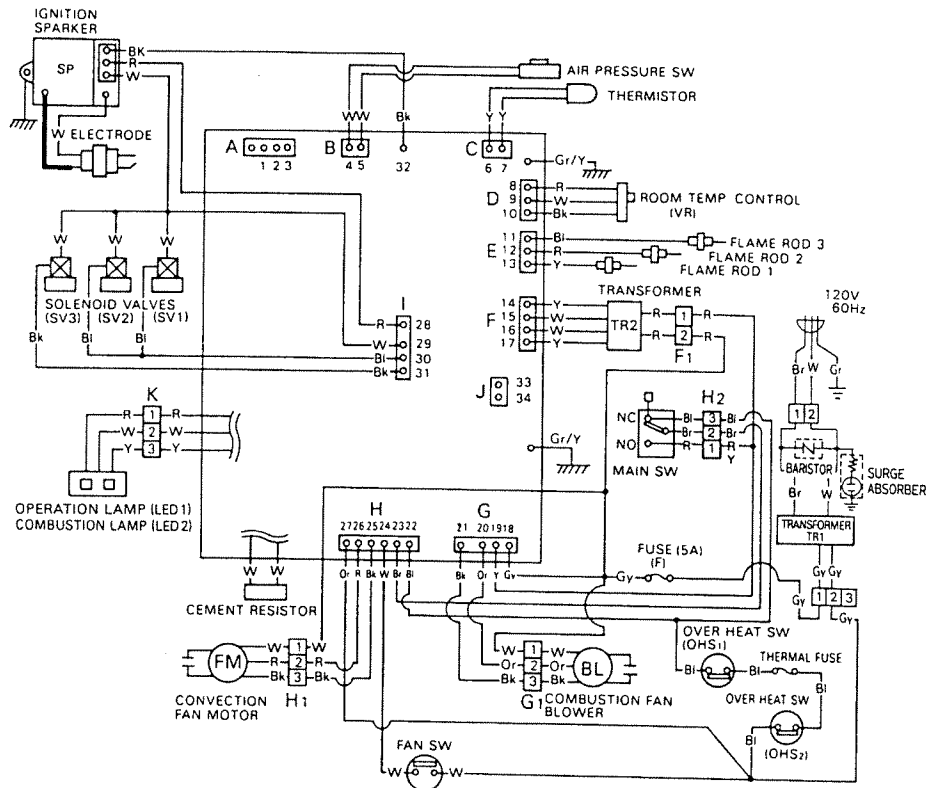


Rinnai

WIRING DIAGRAM

RHFE-1001FA



| CODE | COLOR |
|------|--------------|
| bk | black |
| bl | blue |
| br | brown |
| gr | green |
| gr/y | green/yellow |
| pl | purple |
| r | red |
| w | white |
| y | yellow |
| gy | grey |
| or | orange |

| MARK | PART NAME |
|------|---------------------------|
| MS | MAIN SWITCH |
| TH | THERMISTOR |
| TF | THERMAL FUSE |
| F | FUSE |
| ER | ELECTRODE |
| POV | MODULATING SOLENOID VALVE |
| TR | TRANSFORMER |
| FR | FLAME ROD |

| MARK | PART NAME |
|--------|-------------------------|
| OH. TH | OVER HEAT THERMISTOR |
| OHS1~3 | OVER HEAT SWITCH |
| FM | CONVECTION FAN MOTOR |
| SP | SPARKER |
| SV1~2 | MAIN SOLENOID VALVE 1~2 |
| BL | COMBUSTION FAN MOTOR |
| RCR | REMOTE CONTROL RECEIVER |
| TB | TERMINAL BLOCK |

If any of the original wire as supplied with the appliance must be replaced, it must be replaced with a wire of a least a 194°F temperature rating and number 18AWG or its equivalent. "CAUTION: Label all wires prior to disconnection when servicing controls. Wiring errors can cause improper and dangerous operation." Verify operation after servicing.