

**165A
PREFERRED™ SERIES AIR CONDITIONER
WITH PURON® REFRIGERANT
1-1/2 TO 5 NOMINAL TONS (SIZE 018 TO 060)**



Product Data



Bryant's Air Conditioners with Puron® refrigerant provide a collection of features unmatched by any other family of equipment. The 165A has been designed utilizing Bryant's Puron refrigerant. The environmentally sound refrigerant allows you to make a responsible decision in the protection of the earth's ozone layer.

As an Energy Star® Partner, Bryant Heating & Cooling has determined that this product meets the Energy Star® guidelines for energy efficiency. Refer to the combination ratings in the Product Data for system combinations that meet Energy Star® guidelines.

NOTE: Ratings contained in this document are subject to change at any time. Always refer to the AHRI directory (www.ahridirectory.org) for the most up-to-date ratings information.

INDUSTRY LEADING FEATURES / BENEFITS

Energy Efficiency

- 13.5 - 16.5 SEER/11.7-13.5 EER

Aesthetic Design

- Baked-on powder paint
- Steel louver coil guard
- Color matched cabinet screws

Extra Quiet Operation

- AeroQuiet II™ for sound as low as 66 dBA
 - Quiet mount split post compressor grommets
 - Exclusive Silencer top design
 - Forward-swept condenser fan blade
 - Compressor sound hood
 - Laminated compressor mounting plate

Reliability, Quality and Toughness

- Scroll compressor
- Field-installed 16 cu. in. filter drier
- 8-pole PSC ball-bearing condenser fan motor
- Back-seating service valves
- High-pressure switch
- Low-pressure switch
- Internal pressure relief valve
- Internal thermal overload

Controls and Diagnostics

- Standard thermostat control with 3-wire or 2-wire 24v connection to outdoor unit.
(2-wire capability starts with serial number 3006)
- Utility Interface Connection
- Up to 14 point diagnostic capability

Applications

- Longline - up to 250 ft. total equivalent length
- Low-ambient operation (down to 0°F) with complete Infinity™ System and crankcase heater
- Low-ambient operation (down to 0°F) with standard thermostat and additional accessories (see Accessory Usage Guideline in this document).

MODEL NUMBER NOMENCLATURE

1	2	3	4	5	6	7	8	9	10	11	12	14
N	N	N	A	A/N	N	N	N	N	A/N	A/N	N	A
1	6	5	A	N	A	0	3	6	0	0	0	A
Product Family	Tier	SEER	Major Series	Voltage	Variations	Cooling Capacity			Open	Open	Open	Minor Series
1=AC	6= Preferred Series	5=15 SEER Nominal	A=Puron	N= 208-230-1	A= Standard				0=Not Defined	0= Not Defined	0= Not Defined	A = Original Series



This product has been designed and manufactured to meet Energy Star® criteria for energy efficiency when matched with appropriate coil components. However, proper refrigerant charge and proper air flow are critical to achieve rated capacity and efficiency. Installation of this product should follow all manufacturing refrigerant charging and air flow instructions. **Failure to confirm proper charge and air flow may reduce energy efficiency and shorten equipment life.**

STANDARD FEATURES

Feature	018-B	024-B	030-B	036-B	042-B	048-B	060-B
Puron® Refrigerant	X	X	X	X	X	X	X
Up to 16.5 SEER	X	X	X	X	X	X	X
Standard thermostat w/ 3- or 2-wire 24v connections to outdoor unit.	X	X	X	X	X	X	X
Scroll Compressor	X	X	X	X	X	X	X
Field Installed 16 cu. in. Filter Drier	X	X	X	X	X	X	X
Back Seating Service Valves	X	X	X	X	X	X	X
High-pressure Switch	X	X	X	X	X	X	X
Low-pressure Switch	X	X	X	X	X	X	X
Internal Pressure Relief Valve	X	X	X	X	X	X	X
Internal Thermal Overload	X	X	X	X	X	X	X
Long Line capability	X	X	X	X	X	X	X
Low-ambient capability to 0° F w/Complete System	X	X	X	X	X	X	X
Up to 14 Diagnostic Check-Points	X	X	X	X	X	X	X
Utility Interface Connections	X	X	X	X	X	X	X

PHYSICAL DATA

UNIT SIZE SERIES	018-B	024-B	030-B	036-B	042-B	048-B	060-B
Operating Weight lb (kg)	186 (89.4)	198 (89.8)	258 (117.0)	259 (117.5)	320 (145.1)	326 (147.9)	330 (149.7)
Shipping Weight lb (kg)	228 (103.4)	229 (103.9)	298 (135.2)	299 (135.6)	355 (161.0)	361 (163.7)	365 (165.6)
Compressor Type	Scroll						
REFRIGERANT	Puron® (R-410A)						
Control	TXV (Puron® Hard Shutoff)						
Charge lb (kg)	5.28 (2.39)	5.66 (2.57)	10.77 (4.89)	10.03 (4.55)	10.80 (4.90)	11.40 (5.17)	13.17 (5.97)
COND FAN	Forward Swept, Propeller Type, Direct Drive						
Air Discharge	Vertical						
Air Qty (CFM)	2140	2140	2595	3265	3265	3673	3673
Motor HP	1/12	1/12	1/10	1/6	1/6	1/4	1/4
Motor RPM	800	800	800	800	800	800	800
COND COIL							
Face Area (Sq ft)	16.08	16.08	18.30	18.30	24.40	24.40	24.40
Fins per In.	25	25	20	20	20	20	20
Rows	1	1	2	2	2	2	2
Circuits	4	4	6	6	8	8	8
VALVE CONNECT. (In. ID)							
Vapor	5/8	5/8	3/4	3/4	7/8	7/8	7/8
Liquid	3/8						
REFRIGERANT TUBES (In. OD)							
Rated Vapor*	5/8	5/8	3/4	3/4	7/8	7/8	1-1/8
Liquid	3/8						

*Units are rated with 25 ft (7.6 m) of lineset length. See Vapor Line Sizing and Cooling Capacity Loss table when using other sizes and lengths of lineset.
NOTE: See unit Installation Instruction for proper installation.

165A

VAPOR LINE SIZING AND COOLING CAPACITY LOSS

LONG LINE APPLICATION: An application is considered "Long line" when the total equivalent tubing length exceeds 80 ft. (24.38 m) or when there is more than 20 ft. (6.09 m) vertical separation between indoor and outdoor units. These applications require additional accessories and system modifications for reliable system operation. The maximum allowable total equivalent length is up to 250 ft. (76.2 m). The maximum

vertical separation is 200 ft. (60.96 m) when outdoor unit is above indoor unit, and up to 80 ft. (24.38 m) when the outdoor unit is below the indoor unit. Refer to Accessory Usage Guideline below for required accessories. See Longline Application Guideline for required piping and system modifications. Also, refer to the table below for the vapor tube diameters based on the total length to minimize the cooling capacity loss.

Unit Nominal Size (Btuh)	Maximum Liquid Line Diameters (In. OD)	Vapor Line Diameters (In. OD)	Cooling Capacity Loss (%) Total Equivalent Line Length ft. (m)								
			Standard Application		Long Line Application Requires Accessories						
			26-50 (7.9-15.2)	51-80 (15.5-24.4)	81-100 (24.7-30.5)	101-125 (30.8-38.1)	126-150 (38.4-45.7)	151-175 (46.0-53.3)	176-200 (53.6-61.0)	201-225 (61.3-68.6)	226-250 (68.9-76.2)
18000 1 Stage Puron AC	3/8	1/2	1	2	3	4	6	7	8	9	10
		5/8	0	0	1	1	1	2	2	3	3
24000 1 Stage Puron AC	3/8	5/8	0	1	1	2	3	3	4	4	5
		3/4	0	0	0	0	1	1	1	1	1
		7/8	0	0	0	0	0	0	0	0	0
30000 1 Stage Puron AC	3/8	5/8	1	2	3	3	4	5	6	7	8
		3/4	0	0	1	1	1	2	2	2	3
		7/8	0	0	0	0	1	1	1	1	1
36000 1 Stage Puron AC	3/8	5/8	1	2	4	5	6	8	9	10	12
		3/4	0	1	1	2	2	3	3	4	4
		7/8	0	0	0	0	1	1	1	2	2
42000 1 Stage Puron AC	3/8	3/4	0	1	2	2	3	4	4	5	6
		7/8	0	0	1	1	1	2	2	2	3
		1 1/8	0	0	0	0	0	0	0	0	0
48000 1 Stage Puron AC	3/8	3/4	0	1	2	3	4	5	5	6	7
		7/8	0	0	1	1	2	2	2	3	3
		1 1/8	0	0	0	0	0	0	0	1	1
60000 1 Stage Puron AC	3/8	3/4	1	2	4	5	6	7	9	10	11
		7/8	0	1	2	2	3	4	4	5	5
		1 1/8	0	0	0	1	1	1	1	1	1

Applications in this area are long line. Accessories are required as shown recommended on Long Line Application Guidelines
 Applications in this area may have height restrictions that limit allowable total equivalent length, when outdoor unit is below indoor unit. See Long Line Application Guidelines

ACCESSORIES

KIT NUMBER	KIT NAME	018-B	024-B	030-B	036-B	042-B	048-B	060-B
KAACH1201AAA	CRANKCASE HTR					X	X	X
KAACH1401AAA	CRANKCASE HTR	X	X	X	X			
KSACY0101AAA	CYCLE PROTECTOR	S	S	S	S	S	S	S
KAFT0101AAA	FREEZE THERMOSTAT	X	X	X	X	X	X	X
KSAHS1701AAA	HARD START (CAP/RELAY)	X	X	X	X	X	X	X
KSALA0301410	LOW-AMBIENT PRESSURE SWITCH	X	X	X	X	X	X	X
KAACS0201PTC	PTC START ASSIST	X	X	X	X	X	X	X
KAALS0201LLS	SOLENOID VALVE	X	X	X	X	X	X	X
KSASF0101AAA	SUPPORT FEET	X	X	X	X	X	X	X
KAATD0101TDR	TIME DELAY	X	X	X	X	X	X	X
KSATX0201PUR	TXV (HSO)	X	X	X				
KSATX0301PUR	TXV (HSO)				X	X		
KSATX0401PUR	TXV (HSO)						X	
KSATX0501PUR	TXV (HSO)							X
KAAWS0101AAA	WINTER START	X	X	X	X	X	X	X

X = Accessory, S = Standard

THERMOSTAT / SUBBASE PKG.	DESCRIPTION
T6-PRH-01	Programmable Thermidistat
T6-NRH-01	Non-programmable Thermidistat
T6-PAC-01	Preferred Series Programmable AC Stat
T6-NAC-01	Preferred Series Non-programmable AC Stat
TSTATBBPRH01-B	Thermidistat Control - Programmable / Non-Programmable Thermostat with Humidity control
TSTATBBPAC01-B	Thermostat - Auto Changeover, 7-Day Programmable, °F/°C, 1-Stage Heat, 1-Stage Cool
TSTATBBNAC01-C	Thermostat - Auto Changeover, Non-Programmable, °F/°C, 1-Stage Heat, 1-Stage Cool
TSTATBBBAC01-B	Builder's Thermostat - Manual Changeover, Non-Programmable, °F/°C, 1-Stage Heat, 1-Stage Cool
TSTATBBSSEN01-B	Outdoor Air Temperature Sensor
TSTATXXBBP01	Backplate for Builder's Thermostat
TSTATXXNBP01	Backplate for Non-Programmable Thermostat
TSTATXXPBP01	Backplate for Programmable Thermostat
TSTATXXCNV10	Thermostat Conversion Kit (4 to 5 wires) - 10 Pack

ACCESSORY USAGE GUIDELINE

ACCESSORY	REQUIRED FOR LOW-AMBI- ENT COOLING APPLICATIONS (Below 55°F/12.8°C)	REQUIRED FOR LONG LINE APPLICATIONS* (Over 80 ft./24.38 m)	REQUIRED FOR SEA COAST APPLICATIONS (Within 2 miles/3.22 km)
Ball Bearing Fan Motor	Yes†	No	No
Compressor Start Assist Capacitor and Relay	Yes	Yes	No
Crankcase Heater	Yes	Yes	No
Evaporator Freeze Thermostat	Yes	No	No
Hard Shut-Off TXV	Yes	Yes	Yes
Liquid Line Solenoid Valve	No	No	No
Motor Master® Control or Low-ambient Pressure Switch	Yes	No	No
Support Feet	Recommended	No	Recommended
Winter Start Control	Yes	No	No

* For tubing line sets between 80 and 200 ft. (24.38 and 60.96 m) and/or 20 ft. (6.09 m) vertical differential, refer to Residential Split-System Longline Application Guideline.

† Required for Low-Ambient Controller (full modulation feature) MotorMaster® Control.

Accessory Description and Usage (Listed Alphabetically)

1. Ball-Bearing Fan Motor

A fan motor with ball bearings which permits speed reduction while maintaining bearing lubrication.

Usage Guideline:

Required on all units when MotorMaster® —

2. Compressor Start Assist - Capacitor and Relay

Start capacitor and relay gives a "hard" boost to compressor motor at each start up.

Usage Guideline:

Required for reciprocating compressors in the following applications:

- Long line
- Low ambient cooling
- Hard shut off expansion valve on indoor coil
- Liquid line solenoid on indoor coil

Required for single-phase scroll compressors in the following applications:

- Long line
- Low ambient cooling

Suggested for all compressors in areas with a history of low voltage problems.

3. Compressor Start Assist — PTC Type

Solid state electrical device which gives a "soft" boost to the compressor at each start-up.

Usage Guideline:

Suggested in installations with marginal power supply.

4. Crankcase Heater

An electric resistance heater which mounts to the base of the compressor to keep the lubricant warm during off cycles. Improves compressor lubrication on restart and minimizes the chance of liquid slugging.

Usage Guideline:

- Required in low ambient cooling applications.
- Required in long line applications.
- Suggested in all commercial applications.

5. Cycle Protector

The cycle protector is designed to prevent compressor short cycling. This control provides an approximate 5-minute delay after power to the compressor has been interrupted for any reason, including power outage, protector control trip, thermostat jiggling, or normal cycling.

6. Evaporator Freeze Thermostat

An SPST temperature-actuated switch that stops unit operation when evaporator reaches freeze-up conditions.

Usage Guideline:

Required when low ambient kit has been added.

7. Low-Ambient Pressure Switch Kit

A long life pressure switch which is mounted to outdoor unit service valve. It is designed to cycle the outdoor fan motor in order to maintain head pressure within normal operating limits (approximately 100 psig/689.5 KpA to 225 psig/1551.3 KpA). The control will maintain working head pressure at low-ambient temperatures down to 0°F (-17.8°C) when properly installed.

Usage Guideline:

A Low-Ambient Pressure Switch or MotorMaster® Low-Ambient Controller must be used when cooling operation is used at outdoor temperatures below 55°F (12.8°C).

8. MotorMaster® Low-Ambient Controller

A fan-speed control device activated by a temperature sensor, designed to control condenser fan motor speed in response to the saturated, condensing temperature during operation in cooling mode only. For outdoor temperatures down to -20°F (-28.9°C), it maintains condensing temperature at 100°F ±10°F (37.8°C ± 6.5°C).

Usage Guideline:

A MotorMaster® Low Ambient Controller or Low-Ambient Pressure Switch must be used when cooling operation is used at outdoor temperatures below 55°F (12.8°C).

Suggested for all commercial applications.

9. Outdoor Air Temperature Sensor

Designed for use with Bryant Thermostats listed in this publication. This device enables the thermostat to display the outdoor temperature. This device also is required to enable special thermostat features such as auxiliary heat lock out.

Usage Guideline:

Suggested for all Bryant thermostats listed in this publication.

Accessory Description and Usage (Listed Alphabetically) (Continued)

10. Sound Hood

Wraparound sound reducing cover for the compressor. Reduces the sound level by about 2 dBA.

Usage Guideline:

Suggested when unit is installed closer than 15 ft (4.57 m) to quiet areas, bedrooms, etc.

Suggested when unit is installed between two houses less than 10 ft (3.05 m) apart.

11. Support Feet

Four stick-on plastic feet that raise the unit 4 in. (101.6 mm) above the mounting pad. This allows sand, dirt, and other debris to be flushed from the unit base, minimizing corrosion.

Usage Guideline:

Suggested in the following applications:

Coastal installations.

Windy areas or where debris is normally circulating.

Rooftop installations.

For improved sound ratings.

12. Thermostatic Expansion Valve (TXV)

A modulating flow-control valve which meters refrigerant liquid flow rate into the evaporator in response to the superheat of the refrigerant gas leaving the evaporator.

Kit includes valve, adapter tubes, and external equalizer tube. Hard shut off types are available.

NOTE: When using a hard shut off TXV with single phase reciprocating compressors, a Compressor Start Assist Capacitor and Relay is required.

Usage Guideline:

Required to achieve ARI ratings in certain equipment combinations. Refer to combination ratings.

Hard shut off TXV or LLS required in air conditioner long line applications.

Required for use on all zoning systems.

13. Time-Delay Relay

An SPST delay relay which briefly continues operation of indoor blower motor to provide additional cooling after the compressor cycles off.

NOTE: Most indoor unit controls include this feature. For those that do not, use the guideline below.

Usage Guideline:

For improved efficiency ratings for certain combinations of indoor and outdoor units. Refer to ARI Unitary Directory.

14. Winter Start Control

This control is designed to alleviate nuisance opening of the low-pressure switch by bypassing it for the first 3 minutes of operation.

ELECTRICAL DATA

UNIT SIZE - SERIES	V/PH	OPER VOLTS*		COMPR		FAN	MCA	MIN WIRE SIZE†	MIN WIRE SIZE†	MAX LENGTH ft (m)‡	MAX LENGTH ft (m)‡	MAX FUSE** or CKT BRK AMPS
		MAX	MIN	LRA	RLA	FLA		60° C	75° C	60° C	75° C	
018-B	208/230/1	253	187	48.0	9.0	0.5	11.7	14	14	67 (20.4)	64 (19.5)	20
024-B				58.3	13.5	0.7	17.5	14	14	45 (13.7)	43 (13.1)	25
030-B				73.0	14.1	0.7	18.3	14	14	43 (13.1)	41 (12.5)	25
036-B				79.0	16.7	1.1	21.9	12	12	57 (17.4)	54 (16.5)	35
042-B				112.0	17.9	1.3	23.7	10	10	84 (25.6)	80 (24.4)	40
048-B				117.0	21.8	1.3	28.5	10	10	70 (21.3)	67 (20.4)	45
060-B				134.0	26.4	1.3	34.3	8	8	91 (27.7)	86 (26.2)	50

* Permissible limits of the voltage range at which the unit will operate satisfactorily

† If wire is applied at ambient greater than 30° C, consult table 310-16 of the NEC (ANSI/NFPA 70). The ampacity of non-metallic-sheathed cable (NM), trade name ROMEX, shall be that of 60° C conditions, per the NEC (ANSI/NFPA 70) Article 336-26. If other than uncoated (no-plated), 60 or 75° C insulation, copper wire (solid wire for 10 AWG or smaller, stranded wire for larger than 10 AWG) is used, consult applicable tables of the NEC (ANSI/NFPA 70).

‡ Length shown is as measured 1 way along wire path between unit and service panel for voltage drop not to exceed 2%.

** Time-Delay fuse.

FLA - Full Load Amps

LRA - Locked Rotor Amps

MCA - Minimum Circuit Amps

RLA - Rated Load Amps

NOTE: Control circuit is 24-V on all units and requires external power source. Copper wire must be used from service disconnect to unit. All motors/compressors contain internal overload protection.

Complies with 2001 requirements of ASHRAE Standards 90.1

165A

A-WEIGHTED SOUND POWER (dBA)

UNIT SIZE - SERIES	STANDARD RATING	TYPICAL OCTAVE BAND SPECTRUM (without tone adjustment)						
		125	250	500	1000	2000	4000	8000
018-B	67	51.0	58.0	60.5	60.0	59.5	52.5	47.0
024-B	66	55.0	55.5	59.5	61.0	59.0	54.5	47.0
030-B	68	56.0	58.5	63.0	61.0	60.0	52.5	45.0
036-B	70	62.5	62.0	64.5	63.0	60.5	55.5	49.0
042-B	70	61.5	60.5	62.0	63.5	61.0	55.5	51.0
048-B	71	61.5	62.5	63.0	64.0	62.0	57.5	51.5
060-B	73	59.5	63.0	64.0	67.0	63.0	58.0	53.5

NOTE: Tested in accordance with ARI Standard 270-95. (Not listed with ARI).

CHARGING SUBCOOLING (TXV-TYPE EXPANSION DEVICE)


UNIT SIZE - SERIES	REQUIRED SUBCOOLING °F (°C)
018-B	9 (5.0)
024-B	9 (5.0)
030-B	13 (7.2)
036-B	8 (4.4)
042-B	10 (5.6)
048-B	8 (4.4)
060-B	14 (7.8)

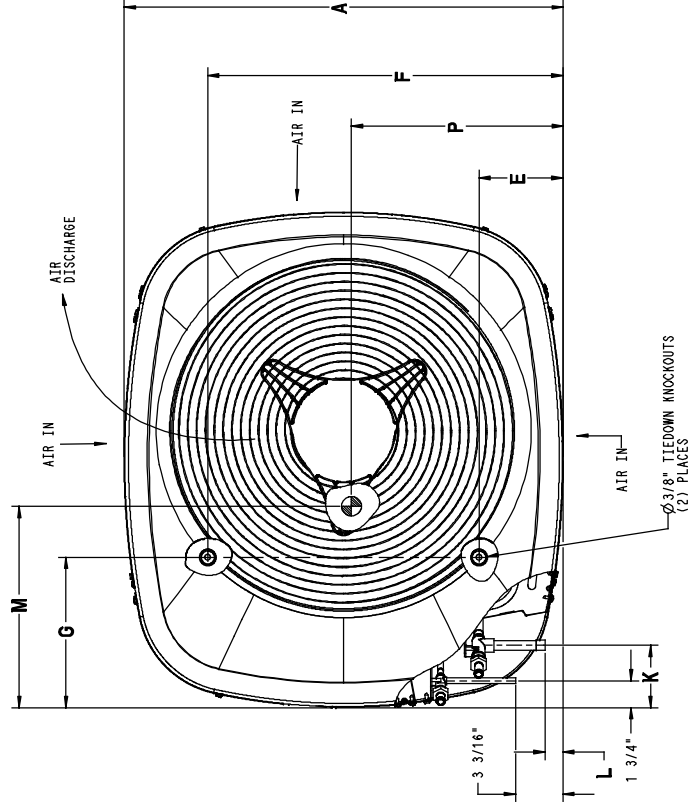
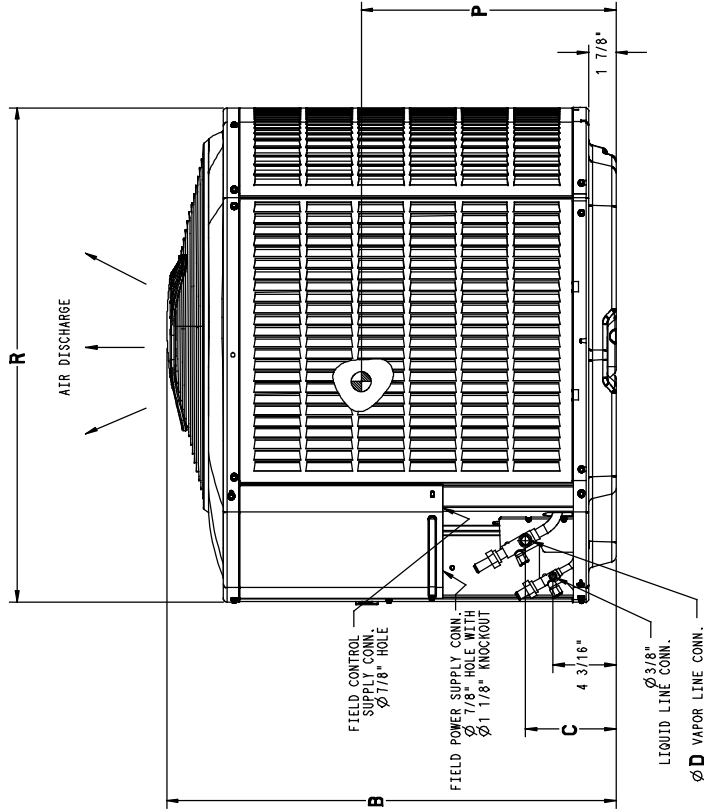
DIMENSIONS - ENGLISH

UNIT	SERIES	ELECTRICAL CHARACTERISTICS	A	B	C	D	E	F	G	K	L	M	N	P	R	OPERATING WEIGHT (lbs)	SHIPPING WEIGHT (lbs)	SHIPPING DIMENSIONS (L x W x H)
165A018	B	X 0 0	29 1/4"	40 3/16"	6 1/16"	5/8"	5 5/8"	23 3/4"	10 1/16"	4 3/16"	1 1/8"	13"	16 1/2"	18 1/2"	33"	186	217	30 7/8" X 36 5/16" X 46 3/16"
165A024	B	X 0 0	29 1/4"	40 3/16"	6 1/16"	5/8"	5 5/8"	23 3/4"	10 1/16"	4 3/16"	1 1/8"	15 3/8"	15"	17 1/2"	33"	188	219	30 7/8" X 36 5/16" X 46 3/16"
165A030	B	X 0 0	35 1/2"	37 9/16"	6 5/16"	3/4"	6 13/16"	28 3/4"	11 5/8"	4"	1 1/8"	17 3/4"	19 1/4"	18"	40"	236	276	37 1/8" X 43 5/16" X 42 3/4"
165A036	B	X 0 0	35 1/2"	37 9/16"	6 5/16"	3/4"	6 13/16"	28 3/4"	11 5/8"	4"	1 1/8"	17 3/4"	16"	16 3/4"	40"	237	277	37 1/8" X 43 5/16" X 42 3/4"
165A042	B	X 0 0	35 1/2"	47 3/4"	6 1/4"	7/8"	6 13/16"	28 3/4"	11 5/8"	4 1/16"	1 1/8"	18 1/2"	18 3/4"	20"	40"	298	333	37 1/8" X 43 5/16" X 50 13/16"
165A048	B	X 0 0	35 1/2"	47 3/4"	6 1/4"	7/8"	6 13/16"	28 3/4"	11 5/8"	4 1/16"	1 1/8"	18 1/2"	18 3/4"	20"	40"	304	339	37 1/8" X 43 5/16" X 50 13/16"
165A060	B	X 0 0	35 1/2"	47 3/4"	6 1/4"	7/8"	6 13/16"	28 3/4"	11 5/8"	4 1/16"	1 1/8"	15 3/4"	21"	21 1/4"	40"	308	343	37 1/8" X 43 5/16" X 50 13/16"

X = YES
0 = NO

208-230-160	230-160	208/230-3-60	460-3-60
-------------	---------	--------------	----------

- NOTES:
- ALLOW 30" CLEARANCE TO SERVICE SIDE OF UNIT, 48" ABOVE UNIT, 6" ON ONE SIDE, 12" ON REMAINING SIDE, AND 24" BETWEEN UNITS FOR PROPER AIRFLOW.
 - MINIMUM OUTDOOR OPERATING AMBIENT IN COOLING MODE IS 55°F, MAX. 125°F.
 - SERIES DESIGNATION IS THE 10TH POSITION OF THE UNIT MODEL NUMBER.
 - CENTER OF GRAVITY 
 - ALL DIMENSIONS ARE IN "INCHES" UNLESS NOTED.



UNIT SIZE	MINIMUM MOUNTING PAD DIMENSIONS
18, 24	29 1/2" x 33"
30, 36, 42, 48, 60	36 1/2" x 40"


DIMENSIONS - SI

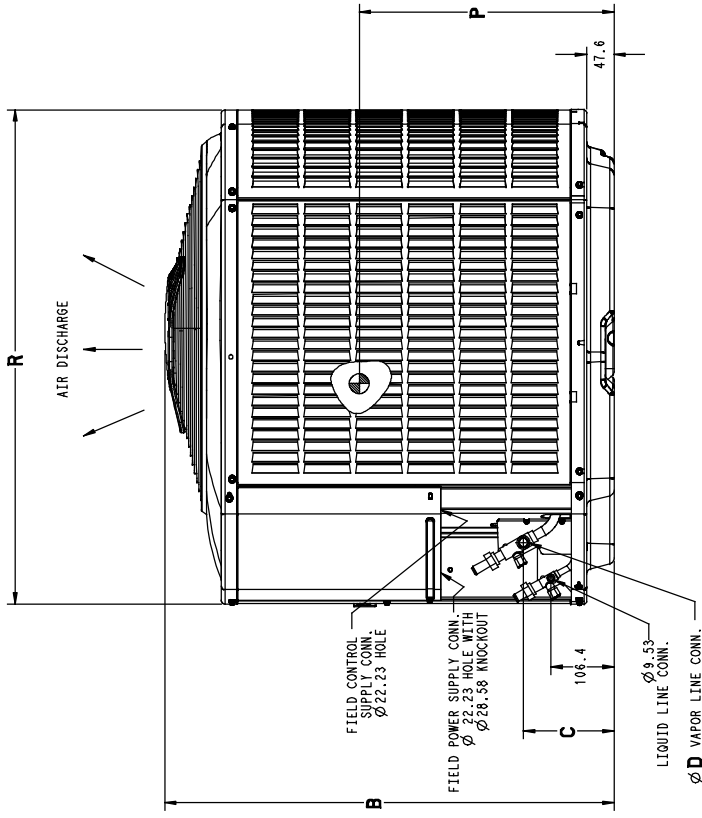
UNIT	SERIES	ELECTRICAL CHARACTERISTICS	A	B	C	D	E	F	G	K	L	M	N	P	R	OPERATING WEIGHT (Kgs)	SHIPPING WEIGHT (Kgs)	SHIPPING DIMENSIONS (L x W x H)
165A018	B	X 0 0 0	743.0	1020.8	154.0	15.9	142.9	603.2	255.6	106.4	28.6	330.2	419.1	489.9	838.2	84.4	98.4	784.2 X 922.4 X 1173.2
165A024	B	X 0 0 0	743.0	1020.8	154.0	15.9	142.9	603.2	255.6	106.4	28.6	330.5	381.0	444.5	838.2	85.3	99.3	784.2 X 922.4 X 1173.2
165A030	B	X 0 0 0	901.7	954.1	160.4	19.0	173.0	730.2	295.3	101.6	28.6	450.8	489.0	457.2	1016.0	107.0	125.2	943.0 X 1100.2 X 1085.8
165A036	B	X 0 0 0	901.7	954.1	160.4	19.0	173.0	730.2	295.3	101.6	28.6	450.8	406.4	425.4	1016.0	107.5	125.6	943.0 X 1100.2 X 1085.8
165A042	B	X 0 0 0	901.7	1212.8	158.8	22.2	173.0	730.2	295.3	103.2	28.6	489.9	476.2	508.0	1016.0	135.2	151.0	943.0 X 1100.2 X 1290.6
165A048	B	X 0 0 0	901.7	1212.8	158.8	22.2	173.0	730.2	295.3	103.2	28.6	489.9	476.2	508.0	1016.0	137.9	153.8	943.0 X 1100.2 X 1290.6
165A060	B	X 0 0 0	901.7	1212.8	158.8	22.2	173.0	730.2	295.3	103.2	28.6	400.0	533.4	539.8	1016.0	139.7	155.6	943.0 X 1100.2 X 1290.6

X = YES
0 = NO

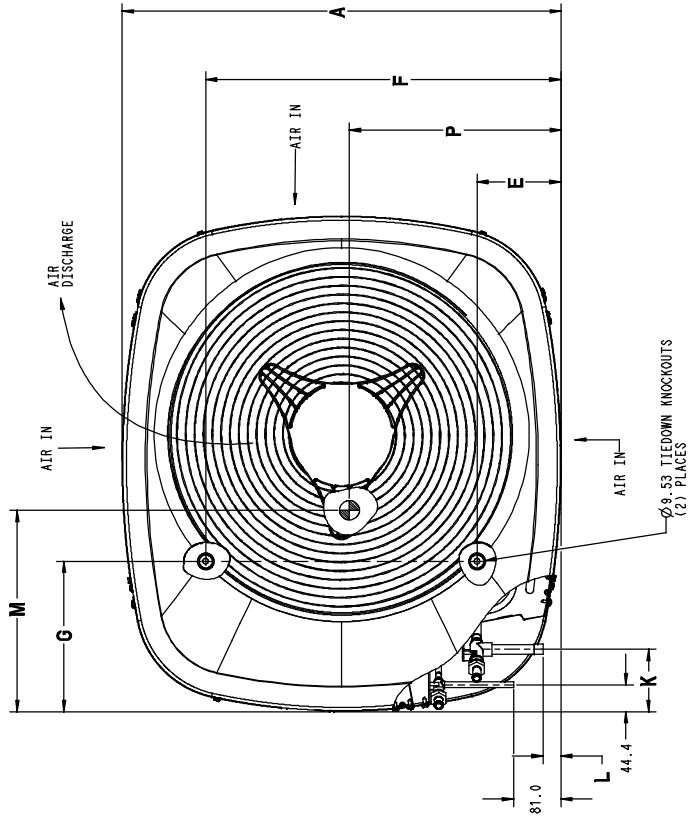
208-230-160	230-160	208/230-3-60	460-3-60
-------------	---------	--------------	----------

NOTES:

1. ALLOW 762.0 CLEARANCE TO SERVICE SIDE OF UNIT, 1219.2 ABOVE UNIT, 152.4 ON ONE SIDE, 304.8 ON REMAINING SIDE, AND 609.6 BETWEEN UNITS FOR PROPER AIRFLOW.
2. MINIMUM OUTDOOR OPERATING AMBIENT IN COOLING MODE IS 13°C, MAX. 32°C.
3. SERIES DESIGNATION IS THE 10TH POSITION OF THE UNIT MODEL NUMBER.
4. CENTER OF GRAVITY .
5. ALL DIMENSIONS ARE IN "MM" UNLESS NOTED.



UNIT SIZE	MINIMUM MOUNTING PAD DIMENSIONS
18.24	749.3 x 838.2
30.36, 42.48, 60	927.1 x 1016.0



COMBINATION RATINGS

ARI Ref. No.	Model Number	Indoor Model	Furnace Model	Capacity	EER	SEER
909722	165ANA018-B	†CAP**2417A**+TDR		18300	12.00	14.00
3020768	165ANA018-B	CAP**1814A**	313*AV024045	18000	13.00	15.75
908055	165ANA018-B	CAP**1814A**	315(A,J)AV036070	17800	13.00	15.50
907319	165ANA018-B	CAP**1814A**+TDR		18000	12.00	14.00
3020769	165ANA018-B	CAP**2414A**	313*AV024045	18000	13.20	16.00
910290	165ANA018-B	CAP**2414A**	315(A,J)AV036070	18100	13.00	15.50
914366	165ANA018-B	CAP**2414A**+TDR		18300	12.00	14.00
909920	165ANA018-B	CAP**2417A**	315(A,J)AV048090	18200	13.20	16.00
3120828	165ANA018-B	CAP**2417A**	353AAV036040	18000	13.20	16.00
3120829	165ANA018-B	CAP**2417A**	353AAV036060	18000	13.20	16.00
1428464	165ANA018-B	CAP**2417A**	355(A,C)AV042060	18500	13.20	16.00
1327863	165ANA018-B	CAP**2417A**	355AAV042040	18500	13.20	16.00
1121248	165ANA018-B	CAP**2417A**	355BAV042060	18500	13.20	16.00
907177	165ANA018-B	CAP**3014A**	315(A,J)AV036070	18200	13.20	16.00
910896	165ANA018-B	CAP**3014A**	315(A,J)AV048090	18300	13.20	16.00
1389855	165ANA018-B	CAP**3014A**	355(A,C)AV042060	18300	13.20	16.00
1121206	165ANA018-B	CAP**3014A**	355BAV042060	18300	13.20	16.00
913820	165ANA018-B	CAP**3014A**+TDR		18500	12.20	14.50
910614	165ANA018-B	CAP**3017A**	315(A,J)AV036070	18200	13.20	16.00
911532	165ANA018-B	CAP**3017A**	315(A,J)AV048090	18300	13.20	16.00
1389871	165ANA018-B	CAP**3017A**	355(A,C)AV042060	18300	13.20	16.00
1389873	165ANA018-B	CAP**3017A**	355(A,C)AV042080	18300	13.20	16.00
1327864	165ANA018-B	CAP**3017A**	355AAV042040	18700	13.20	16.00
1121434	165ANA018-B	CAP**3017A**	355BAV042060	18300	13.20	16.00
1121665	165ANA018-B	CAP**3017A**	355BAV042080	18300	13.20	16.00
913660	165ANA018-B	CAP**3017A**+TDR		18500	12.20	14.50
910448	165ANA018-B	CNPF*2418A**+TDR		18300	12.00	14.00
3020770	165ANA018-B	CNPH*2417A**	313*AV024045	18000	13.20	16.00
910742	165ANA018-B	CNPH*2417A**	315(A,J)AV036070	18100	13.00	15.50
912974	165ANA018-B	CNPH*2417A**	315(A,J)AV048090	18200	13.00	15.50
3120832	165ANA018-B	CNPH*2417A**	353AAV036040	18000	13.20	16.00
3120833	165ANA018-B	CNPH*2417A**	353AAV036060	18000	13.00	15.50
1389857	165ANA018-B	CNPH*2417A**	355(A,C)AV042060	18100	13.00	15.50
1389875	165ANA018-B	CNPH*2417A**	355(A,C)AV042080	18100	13.00	15.50
909081	165ANA018-B	CNPH*2417A**	355AAV042040	18100	13.00	15.50
913472	165ANA018-B	CNPH*2417A**+TDR		18300	12.00	14.00
911332	165ANA018-B	CNPH*3017A**	315(A,J)AV036070	18200	13.20	16.00
913688	165ANA018-B	CNPH*3017A**	315(A,J)AV048090	18300	13.20	16.00
1389859	165ANA018-B	CNPH*3017A**	355(A,C)AV042060	18300	13.20	16.00
1389877	165ANA018-B	CNPH*3017A**	355(A,C)AV042080	18300	13.20	16.00
912786	165ANA018-B	CNPH*3017A**	355AAV042040	18300	13.20	16.00
913590	165ANA018-B	CNPH*3017A**+TDR		18500	12.20	14.50
3020771	165ANA018-B	CNPV*1814A**	313*AV024045	18000	13.00	15.75
910134	165ANA018-B	CNPV*1814A**	315(A,J)AV036070	18000	13.00	15.50
1144583	165ANA018-B	CNPV*1814A**	368RAN036105	18600	13.00	15.50
1144581	165ANA018-B	CNPV*1814A**	374RAN036105	18100	13.00	15.50
912270	165ANA018-B	CNPV*1814A**+TDR		18200	12.00	14.00
3020772	165ANA018-B	CNPV*2414A**	313*AV024045	18000	13.20	16.00
908489	165ANA018-B	CNPV*2414A**	315(A,J)AV036070	18100	13.00	15.50
1144587	165ANA018-B	CNPV*2414A**	368RAN036105	18600	13.20	16.00
1144585	165ANA018-B	CNPV*2414A**	374RAN036105	18200	13.00	15.50
908021	165ANA018-B	CNPV*2414A**+TDR		18300	12.00	14.00
913918	165ANA018-B	CNPV*2417A**	315(A,J)AV048090	18200	13.00	15.50
3120830	165ANA018-B	CNPV*2417A**	353AAV036040	18000	13.20	16.00
3120831	165ANA018-B	CNPV*2417A**	353AAV036060	18000	13.00	15.50
1389861	165ANA018-B	CNPV*2417A**	355(A,C)AV042060	18100	13.00	15.50
1121653	165ANA018-B	CNPV*2417A**	355BAV042060	18100	13.00	15.50
1144591	165ANA018-B	CNPV*2417A**	368RAN036105	18600	13.20	16.00
1144589	165ANA018-B	CNPV*2417A**	374RAN036105	18200	13.00	15.50
909952	165ANA018-B	CNPV*2417A**+TDR		18300	12.00	14.00
907195	165ANA018-B	CNPV*3014A**	315(A,J)AV036070	18200	13.20	16.00
909001	165ANA018-B	CNPV*3014A**	315(A,J)AV048090	18300	13.20	16.00
1389863	165ANA018-B	CNPV*3014A**	355(A,C)AV042060	18300	13.20	16.00
1121773	165ANA018-B	CNPV*3014A**	355BAV042060	18300	13.20	16.00
911122	165ANA018-B	CNPV*3014A**+TDR		18500	12.20	14.50
908601	165ANA018-B	CNPV*3017A**	315(A,J)AV036070	18200	13.20	16.00
909834	165ANA018-B	CNPV*3017A**	315(A,J)AV048090	18300	13.20	16.00
1389865	165ANA018-B	CNPV*3017A**	355(A,C)AV042060	18300	13.20	16.00
1389879	165ANA018-B	CNPV*3017A**	355(A,C)AV042080	18300	13.20	16.00
1121716	165ANA018-B	CNPV*3017A**	355BAV042060	18300	13.20	16.00
1121374	165ANA018-B	CNPV*3017A**	355BAV042080	18300	13.20	16.00
913430	165ANA018-B	CNPV*3017A**+TDR		18500	12.20	14.50
3020773	165ANA018-B	CSPH*2412A**	313*AV024045	18000	13.20	16.00

See notes on page 25

COMBINATION RATINGS CONTINUED

ARI Ref. No.	Model Number	Indoor Model	Furnace Model	Capacity	EER	SEER
912788	165ANA018-B	CSPH*2412A**	315(A,J)AV036070	18200	13.20	16.00
910892	165ANA018-B	CSPH*2412A**	315(A,J)AV048090	18300	13.20	16.00
3120834	165ANA018-B	CSPH*2412A**	353AAV036040	18000	13.20	16.00
3120835	165ANA018-B	CSPH*2412A**	353AAV036060	18000	13.00	15.50
1389867	165ANA018-B	CSPH*2412A**	355(A,C)AV042060	18300	13.20	16.00
1389881	165ANA018-B	CSPH*2412A**	355(A,C)AV042080	18300	13.20	16.00
908117	165ANA018-B	CSPH*2412A**	355AAV042040	18300	13.20	16.00
910346	165ANA018-B	CSPH*2412A**+TDR		18500	12.20	14.50
910646	165ANA018-B	CSPH*3012A**	315(A,J)AV036070	18300	13.20	16.00
911746	165ANA018-B	CSPH*3012A**	315(A,J)AV048090	18400	13.20	16.00
1389869	165ANA018-B	CSPH*3012A**	355(A,C)AV042060	18300	13.20	16.00
1389883	165ANA018-B	CSPH*3012A**	355(A,C)AV042080	18400	13.20	16.00
911352	165ANA018-B	CSPH*3012A**	355AAV042040	18300	13.20	16.00
913412	165ANA018-B	CSPH*3012A**+TDR		18500	12.20	14.50
1249702	165ANA018-B	FE4ANF002+UI		18400	12.50	16.00
908633	165ANA018-B	FF1ENP018		18000	12.00	14.00
913410	165ANA018-B	FF1ENP024		18300	12.00	14.00
908741	165ANA018-B	FF1ENP030		18200	11.70	13.50
907703	165ANA018-B	FV4BNF002		18400	12.50	16.00
913156	165ANA018-B	FX4CNF018		18400	12.50	15.50
907439	165ANA018-B	FX4CNF024		18500	12.50	15.50
907409	165ANA018-B	FX4CNF030		18500	12.50	15.00
914010	165ANA018-B	FY4ANF018		18000	12.00	14.00
908303	165ANA018-B	FY4ANF024		18100	12.00	14.00
908479	165ANA018-B	FY4ANF030		18300	12.30	14.50
912554	165ANA024-B	†CAP**3014A**+TDR		23400	12.00	14.00
3020774	165ANA024-B	CAP**2414A**	313*AV024045	23200	12.50	15.25
913576	165ANA024-B	CAP**2414A**	315(A,J)AV036070	23000	13.00	15.50
913896	165ANA024-B	CAP**2414A**+TDR		23200	11.95	14.00
910516	165ANA024-B	CAP**2417A**	315(A,J)AV048090	23200	13.00	15.50
3120836	165ANA024-B	CAP**2417A**	353AAV036040	23400	13.00	15.50
3120837	165ANA024-B	CAP**2417A**	353AAV036060	23400	13.00	15.50
3120838	165ANA024-B	CAP**2417A**	353AAV036080	23400	13.00	15.50
1389891	165ANA024-B	CAP**2417A**	355(A,C)AV042060	23000	13.00	15.50
1130314	165ANA024-B	CAP**2417A**	355AAV042040	23200	12.50	15.00
1121524	165ANA024-B	CAP**2417A**	355BAV042060	23000	13.00	15.50
911806	165ANA024-B	CAP**2417A**+TDR		23200	11.95	14.00
3020775	165ANA024-B	CAP**3014A**	313*AV024045	23600	13.00	15.50
913506	165ANA024-B	CAP**3014A**	315(A,J)AV036070	23200	13.00	15.50
909017	165ANA024-B	CAP**3017A**	315(A,J)AV048090	23400	13.00	15.50
3120839	165ANA024-B	CAP**3017A**	353AAV036040	23400	13.00	15.50
3120840	165ANA024-B	CAP**3017A**	353AAV036060	23400	13.00	15.50
3120841	165ANA024-B	CAP**3017A**	353AAV036080	23400	13.00	15.50
1428466	165ANA024-B	CAP**3017A**	355(A,C)AV042060	23800	13.00	15.50
1121395	165ANA024-B	CAP**3017A**	355BAV042060	23800	13.00	15.50
913928	165ANA024-B	CAP**3017A**+TDR		23400	12.00	14.00
913126	165ANA024-B	CAP**3614A**	315(A,J)AV036070	23400	13.00	15.50
909582	165ANA024-B	CAP**3614A**	315(A,J)AV048090	23400	13.00	15.50
1389889	165ANA024-B	CAP**3614A**	355(A,C)AV042060	23400	13.00	15.50
1121629	165ANA024-B	CAP**3614A**	355BAV042060	23400	13.00	15.50
911792	165ANA024-B	CAP**3614A**+TDR		23600	12.00	14.00
908653	165ANA024-B	CAP**3617A**	315(A,J)AV036070	23400	13.00	15.50
907385	165ANA024-B	CAP**3617A**	315(A,J)AV048090	23400	13.00	15.50
910336	165ANA024-B	CAP**3617A**	315(A,J)AV060110	23400	13.00	15.50
1389887	165ANA024-B	CAP**3617A**	355(A,C)AV042060	23400	13.00	15.50
1389915	165ANA024-B	CAP**3617A**	355(A,C)AV042080	23400	13.00	15.50
1389935	165ANA024-B	CAP**3617A**	355(A,C)AV060080	23400	13.00	15.50
1389953	165ANA024-B	CAP**3617A**	355(A,C)AV060100	23400	13.00	15.50
1121428	165ANA024-B	CAP**3617A**	355BAV042060	23400	13.00	15.50
1121164	165ANA024-B	CAP**3617A**	355BAV042080	23400	13.00	15.50
1121902	165ANA024-B	CAP**3617A**	355BAV060080	23400	13.00	15.50
1121419	165ANA024-B	CAP**3617A**	355BAV060100	23400	13.00	15.50
911144	165ANA024-B	CAP**3617A**+TDR		23600	12.00	14.00
913792	165ANA024-B	CAP**3621A**	315(A,J)AV048090	23400	13.00	15.50
912930	165ANA024-B	CAP**3621A**	315(A,J)AV060110	23400	13.00	15.50
907735	165ANA024-B	CAP**3621A**	315(A,J)AV066135	23400	13.00	15.50
910036	165ANA024-B	CAP**3621A**	315(A,J)AV066155	23400	13.00	15.50
1389885	165ANA024-B	CAP**3621A**	355(A,C)AV042060	23400	13.00	15.50
1389913	165ANA024-B	CAP**3621A**	355(A,C)AV042080	23400	13.00	15.50
1389933	165ANA024-B	CAP**3621A**	355(A,C)AV060080	23400	13.00	15.50
1389969	165ANA024-B	CAP**3621A**	355(A,C)AV060100	23400	13.00	15.50
1389973	165ANA024-B	CAP**3621A**	355(A,C)AV060120	23400	13.00	15.50

See notes on page 25

COMBINATION RATINGS CONTINUED

ARI Ref. No.	Model Number	Indoor Model	Furnace Model	Capacity	EER	SEER
912718	165ANA024-B	CAP**3621A**	355AAV042040	23400	13.00	15.50
1121755	165ANA024-B	CAP**3621A**	355BAV042060	23400	13.00	15.50
1121812	165ANA024-B	CAP**3621A**	355BAV042080	23400	13.00	15.50
1121758	165ANA024-B	CAP**3621A**	355BAV060080	23400	13.00	15.50
1152686	165ANA024-B	CAP**3621A**	355BAV060100	23400	13.00	15.50
1121821	165ANA024-B	CAP**3621A**	355BAV060120	23400	13.00	15.50
909248	165ANA024-B	CAP**3621A**+TDR		23600	12.00	14.00
910818	165ANA024-B	CNPF*2418A**+TDR		23200	12.00	14.00
912148	165ANA024-B	CNPF*3618A**+TDR		23600	12.00	14.00
3020776	165ANA024-B	CNPH*2417A**	313*AV024045	23200	12.50	15.25
909628	165ANA024-B	CNPH*2417A**	315(A,J)AV036070	23000	13.00	15.00
908059	165ANA024-B	CNPH*2417A**	315(A,J)AV048090	23000	13.00	15.50
910008	165ANA024-B	CNPH*2417A**	315(A,J)AV060110	23000	13.00	15.00
912628	165ANA024-B	CNPH*2417A**	315(A,J)AV066135	23000	13.00	15.50
909344	165ANA024-B	CNPH*2417A**	315(A,J)AV066155	23200	13.00	15.50
3120848	165ANA024-B	CNPH*2417A**	353AAV036040	23200	13.00	15.50
3120849	165ANA024-B	CNPH*2417A**	353AAV036060	23200	12.50	15.00
3120850	165ANA024-B	CNPH*2417A**	353AAV036080	23200	12.50	15.00
1389893	165ANA024-B	CNPH*2417A**	355(A,C)AV042060	23000	13.00	15.50
1389917	165ANA024-B	CNPH*2417A**	355(A,C)AV042080	23000	13.00	15.00
1389949	165ANA024-B	CNPH*2417A**	355(A,C)AV060080	23000	13.00	15.00
1389955	165ANA024-B	CNPH*2417A**	355(A,C)AV060100	23200	13.00	15.50
1389975	165ANA024-B	CNPH*2417A**	355(A,C)AV060120	23000	13.00	15.00
910714	165ANA024-B	CNPH*2417A**	355AAV042040	23000	13.00	15.00
913942	165ANA024-B	CNPH*2417A**+TDR		23200	12.00	14.00
3020777	165ANA024-B	CNPH*3017A**	313*AV024045	23400	13.00	15.50
910292	165ANA024-B	CNPH*3017A**	315(A,J)AV036070	23200	13.00	15.50
907715	165ANA024-B	CNPH*3017A**	315(A,J)AV048090	23400	13.00	15.50
913176	165ANA024-B	CNPH*3017A**	315(A,J)AV060110	23400	13.00	15.50
908951	165ANA024-B	CNPH*3017A**	315(A,J)AV066135	23400	13.00	15.50
910678	165ANA024-B	CNPH*3017A**	315(A,J)AV066155	23400	13.00	15.50
3120851	165ANA024-B	CNPH*3017A**	353AAV036040	23400	13.00	15.50
3120852	165ANA024-B	CNPH*3017A**	353AAV036060	23400	13.00	15.50
3120853	165ANA024-B	CNPH*3017A**	353AAV036080	23400	13.00	15.50
1389909	165ANA024-B	CNPH*3017A**	355(A,C)AV042060	23400	13.00	15.50
1389919	165ANA024-B	CNPH*3017A**	355(A,C)AV042080	23400	13.00	15.50
1389937	165ANA024-B	CNPH*3017A**	355(A,C)AV060080	23400	13.00	15.50
1389957	165ANA024-B	CNPH*3017A**	355(A,C)AV060100	23400	13.00	15.50
1389977	165ANA024-B	CNPH*3017A**	355(A,C)AV060120	23200	13.00	15.50
909134	165ANA024-B	CNPH*3017A**	355AAV042040	23400	13.00	15.50
909121	165ANA024-B	CNPH*3017A**+TDR		23600	12.00	14.00
911654	165ANA024-B	CNPH*3617A**	315(A,J)AV036070	23200	13.00	15.50
909252	165ANA024-B	CNPH*3617A**	315(A,J)AV048090	23400	13.00	15.50
908379	165ANA024-B	CNPH*3617A**	315(A,J)AV060110	23400	13.00	15.50
911398	165ANA024-B	CNPH*3617A**	315(A,J)AV066135	23400	13.00	15.50
910030	165ANA024-B	CNPH*3617A**	315(A,J)AV066155	23400	13.00	15.50
1389895	165ANA024-B	CNPH*3617A**	355(A,C)AV042060	23400	13.00	15.50
1389921	165ANA024-B	CNPH*3617A**	355(A,C)AV042080	23400	13.00	15.50
1389939	165ANA024-B	CNPH*3617A**	355(A,C)AV060080	23400	13.00	15.50
1389971	165ANA024-B	CNPH*3617A**	355(A,C)AV060100	23400	13.00	15.50
1389981	165ANA024-B	CNPH*3617A**	355(A,C)AV060120	23200	13.00	15.50
911040	165ANA024-B	CNPH*3617A**	355AAV042040	23400	13.00	15.50
911894	165ANA024-B	CNPH*3617A**+TDR		23600	12.00	14.00
3020778	165ANA024-B	CNPV*2414A**	313*AV024045	23200	12.50	15.25
912372	165ANA024-B	CNPV*2414A**	315(A,J)AV036070	23000	13.00	15.00
1144595	165ANA024-B	CNPV*2414A**	368RAN036105	23200	13.00	15.50
1144593	165ANA024-B	CNPV*2414A**	374RAN036105	23000	12.50	15.00
913732	165ANA024-B	CNPV*2414A**+TDR		23200	12.00	14.00
908463	165ANA024-B	CNPV*2417A**	315(A,J)AV048090	23000	13.00	15.50
3120842	165ANA024-B	CNPV*2417A**	353AAV036040	23200	13.00	15.50
3120843	165ANA024-B	CNPV*2417A**	353AAV036060	23200	12.50	15.00
3120844	165ANA024-B	CNPV*2417A**	353AAV036080	23200	12.50	15.00
1389911	165ANA024-B	CNPV*2417A**	355(A,C)AV042060	23000	13.00	15.50
1121875	165ANA024-B	CNPV*2417A**	355BAV042060	23000	13.00	15.50
1144599	165ANA024-B	CNPV*2417A**	368RAN036105	23200	13.00	15.50
1144597	165ANA024-B	CNPV*2417A**	374RAN036105	23000	12.50	15.00
907379	165ANA024-B	CNPV*2417A**+TDR		23200	12.00	14.00
3020779	165ANA024-B	CNPV*3014A**	313*AV024045	23400	13.00	15.50
912486	165ANA024-B	CNPV*3014A**	315(A,J)AV036070	23200	13.00	15.50
1144603	165ANA024-B	CNPV*3014A**	368RAN036105	22800	13.00	15.50
1144601	165ANA024-B	CNPV*3014A**	374RAN036105	23200	13.00	15.50
908155	165ANA024-B	CNPV*3014A**+TDR		23600	12.00	14.00
912088	165ANA024-B	CNPV*3017A**	315(A,J)AV048090	23400	13.00	15.50

See notes on page 25

COMBINATION RATINGS CONTINUED

ARI Ref. No.	Model Number	Indoor Model	Furnace Model	Capacity	EER	SEER
3120845	165ANA024-B	CNPV*3017A**	353AAV036040	23400	13.00	15.50
3120846	165ANA024-B	CNPV*3017A**	353AAV036060	23400	13.00	15.50
3120847	165ANA024-B	CNPV*3017A**	353AAV036080	23400	13.00	15.50
1389897	165ANA024-B	CNPV*3017A**	355(A,C)AV042060	23400	13.00	15.50
1121815	165ANA024-B	CNPV*3017A**	355BAV042060	23400	13.00	15.50
1144607	165ANA024-B	CNPV*3017A**	368RAN036105	22800	13.00	15.50
1144605	165ANA024-B	CNPV*3017A**	374RAN036105	23400	13.00	15.50
911358	165ANA024-B	CNPV*3017A**+TDR		23600	12.00	14.00
911026	165ANA024-B	CNPV*3617A**	315(A,J)AV036070	23200	13.00	15.50
910322	165ANA024-B	CNPV*3617A**	315(A,J)AV048090	23400	13.00	15.50
913700	165ANA024-B	CNPV*3617A**	315(A,J)AV060110	23400	13.00	15.50
1389899	165ANA024-B	CNPV*3617A**	355(A,C)AV042060	23400	13.00	15.50
1389923	165ANA024-B	CNPV*3617A**	355(A,C)AV042080	23400	13.00	15.50
1389941	165ANA024-B	CNPV*3617A**	355(A,C)AV060080	23400	13.00	15.50
1389959	165ANA024-B	CNPV*3617A**	355(A,C)AV060100	23400	13.00	15.50
1121320	165ANA024-B	CNPV*3617A**	355BAV042060	23400	13.00	15.50
1121152	165ANA024-B	CNPV*3617A**	355BAV042080	23400	13.00	15.50
1121635	165ANA024-B	CNPV*3617A**	355BAV060080	23400	13.00	15.50
1121584	165ANA024-B	CNPV*3617A**	355BAV060100	23400	13.00	15.50
907611	165ANA024-B	CNPV*3617A**+TDR		23600	12.00	14.00
907707	165ANA024-B	CNPV*3621A**	315(A,J)AV048090	23400	13.00	15.50
910218	165ANA024-B	CNPV*3621A**	315(A,J)AV060110	23400	13.00	15.50
911046	165ANA024-B	CNPV*3621A**	315(A,J)AV066135	23400	13.00	15.50
910350	165ANA024-B	CNPV*3621A**	315(A,J)AV066155	23400	13.00	15.50
1389901	165ANA024-B	CNPV*3621A**	355(A,C)AV042060	23400	13.00	15.50
1389925	165ANA024-B	CNPV*3621A**	355(A,C)AV042080	23400	13.00	15.50
1389943	165ANA024-B	CNPV*3621A**	355(A,C)AV060080	23400	13.00	15.50
1389961	165ANA024-B	CNPV*3621A**	355(A,C)AV060100	23400	13.00	15.50
1389983	165ANA024-B	CNPV*3621A**	355(A,C)AV060120	23400	13.00	15.50
907825	165ANA024-B	CNPV*3621A**	355AAV042040	23400	13.00	15.50
1121464	165ANA024-B	CNPV*3621A**	355BAV042060	23400	13.00	15.50
1121203	165ANA024-B	CNPV*3621A**	355BAV042080	23400	13.00	15.50
1121128	165ANA024-B	CNPV*3621A**	355BAV060080	23400	13.00	15.50
1121752	165ANA024-B	CNPV*3621A**	355BAV060100	23400	13.00	15.50
1152689	165ANA024-B	CNPV*3621A**	355BAV060120	23400	13.00	15.50
912522	165ANA024-B	CNPV*3621A**+TDR		23600	12.00	14.00
3020780	165ANA024-B	CSPH*2412A**	313*AV024045	23200	12.50	15.25
911988	165ANA024-B	CSPH*2412A**	315(A,J)AV036070	23200	13.00	15.50
913832	165ANA024-B	CSPH*2412A**	315(A,J)AV048090	23400	13.00	15.50
911570	165ANA024-B	CSPH*2412A**	315(A,J)AV060110	23400	13.00	15.50
909806	165ANA024-B	CSPH*2412A**	315(A,J)AV066135	23400	13.00	15.50
912458	165ANA024-B	CSPH*2412A**	315(A,J)AV066155	23400	13.00	15.50
3120854	165ANA024-B	CSPH*2412A**	353AAV036040	23400	13.00	15.50
3120855	165ANA024-B	CSPH*2412A**	353AAV036060	23400	13.00	15.50
3120856	165ANA024-B	CSPH*2412A**	353AAV036080	23400	13.00	15.50
1389903	165ANA024-B	CSPH*2412A**	355(A,C)AV042060	23400	13.00	15.50
1389927	165ANA024-B	CSPH*2412A**	355(A,C)AV042080	23400	13.00	15.50
1389945	165ANA024-B	CSPH*2412A**	355(A,C)AV060080	23400	13.00	15.50
1389963	165ANA024-B	CSPH*2412A**	355(A,C)AV060100	23400	13.00	15.50
1389985	165ANA024-B	CSPH*2412A**	355(A,C)AV060120	23200	13.00	15.50
907773	165ANA024-B	CSPH*2412A**	355AAV042040	23400	13.00	15.50
910686	165ANA024-B	CSPH*2412A**+TDR		23600	12.00	14.00
3020781	165ANA024-B	CSPH*3012A**	313*AV024045	23600	13.00	15.50
911090	165ANA024-B	CSPH*3012A**	315(A,J)AV036070	23400	13.00	15.50
913826	165ANA024-B	CSPH*3012A**	315(A,J)AV048090	23400	13.00	15.50
909976	165ANA024-B	CSPH*3012A**	315(A,J)AV060110	23400	13.00	15.50
907973	165ANA024-B	CSPH*3012A**	315(A,J)AV066135	23400	13.00	15.50
911804	165ANA024-B	CSPH*3012A**	315(A,J)AV066155	23400	13.00	15.50
3120857	165ANA024-B	CSPH*3012A**	353AAV036040	23400	13.00	15.50
3120858	165ANA024-B	CSPH*3012A**	353AAV036060	23400	13.00	15.50
3120859	165ANA024-B	CSPH*3012A**	353AAV036080	23400	13.00	15.50
1389905	165ANA024-B	CSPH*3012A**	355(A,C)AV042060	23400	13.00	15.50
1389929	165ANA024-B	CSPH*3012A**	355(A,C)AV042080	23400	13.00	15.50
1389951	165ANA024-B	CSPH*3012A**	355(A,C)AV060080	23400	13.00	15.50
1389965	165ANA024-B	CSPH*3012A**	355(A,C)AV060100	23400	13.00	15.50
1389987	165ANA024-B	CSPH*3012A**	355(A,C)AV060120	23400	13.00	15.50
908035	165ANA024-B	CSPH*3012A**	355AAV042040	23400	13.00	15.50
913980	165ANA024-B	CSPH*3012A**+TDR		23600	12.00	14.00
913872	165ANA024-B	CSPH*3612A**	315(A,J)AV036070	23600	13.00	15.50
910066	165ANA024-B	CSPH*3612A**	315(A,J)AV048090	23800	13.00	15.50
910502	165ANA024-B	CSPH*3612A**	315(A,J)AV060110	23800	13.00	15.50
913426	165ANA024-B	CSPH*3612A**	315(A,J)AV066135	23800	13.00	15.50
912830	165ANA024-B	CSPH*3612A**	315(A,J)AV066155	23800	13.00	15.50

See notes on page 25

COMBINATION RATINGS CONTINUED

ARI Ref. No.	Model Number	Indoor Model	Furnace Model	Capacity	EER	SEER
1389907	165ANA024-B	CSPH*3612A**	355(A,C)AV042060	23600	13.00	15.50
1389931	165ANA024-B	CSPH*3612A**	355(A,C)AV042080	23600	13.00	15.50
1389947	165ANA024-B	CSPH*3612A**	355(A,C)AV060080	23000	13.00	15.50
1389967	165ANA024-B	CSPH*3612A**	355(A,C)AV060100	23800	13.00	15.50
1389979	165ANA024-B	CSPH*3612A**	355(A,C)AV060120	23600	13.00	15.50
908823	165ANA024-B	CSPH*3612A**	355AAV042040	23600	13.00	15.50
912094	165ANA024-B	CSPH*3612A**+TDR		23800	12.00	14.00
1249639	165ANA024-B	FE4AN(B,F)003+UI		23600	13.20	16.00
1249705	165ANA024-B	FE4ANF002+UI		23600	13.00	15.50
1249711	165ANA024-B	FESANB004+UI		24200	13.20	16.00
908395	165ANA024-B	FF1ENP024		23200	11.70	13.50
908207	165ANA024-B	FF1ENP030		23200	11.70	13.50
909570	165ANA024-B	FF1ENP036		23400	11.70	13.50
1348219	165ANA024-B	FV4BN(B,F)003		23600	13.00	16.00
913354	165ANA024-B	FV4BNF002		23600	13.00	15.00
912724	165ANA024-B	FX4CN(B,F)036		23600	12.50	14.50
913274	165ANA024-B	FX4CNF024		23400	13.00	15.00
910640	165ANA024-B	FX4CNF030		23800	13.00	15.00
914094	165ANA024-B	FY4ANF024		23000	11.70	13.50
913322	165ANA024-B	FY4ANF030		23400	12.00	14.00
908733	165ANA024-B	FY4ANF036		23400	11.70	13.50
913400	165ANA030-B	†CAP**3617A**+TDR		28800	12.00	14.00
907519	165ANA030-B	CAP**3014A**	315(A,J)AV036070	28800	12.85	15.00
912210	165ANA030-B	CAP**3014A**+TDR		28600	12.00	14.00
911788	165ANA030-B	CAP**3017A**	315(A,J)AV048090	28800	13.00	15.50
1390001	165ANA030-B	CAP**3017A**	355(A,C)AV042060	28800	13.00	15.00
1121242	165ANA030-B	CAP**3017A**	355BAV042060	28800	13.00	15.00
1330128	165ANA030-B	CAP**3017A**	355BAV042080	28800	13.00	15.00
907403	165ANA030-B	CAP**3017A**+TDR		28600	12.00	14.00
911906	165ANA030-B	CAP**3614A**	315(A,J)AV036070	28800	12.90	15.00
908547	165ANA030-B	CAP**3614A**+TDR		28800	12.00	14.00
907941	165ANA030-B	CAP**3617A**	315(A,J)AV048090	29600	13.00	15.00
1390029	165ANA030-B	CAP**3617A**	355(A,C)AV042080	28800	13.00	15.50
1122055	165ANA030-B	CAP**3617A**	355BAV042060	29600	12.50	15.00
1293935	165ANA030-B	CAP**3617A**	355BAV042080	28800	13.00	15.50
914090	165ANA030-B	CAP**3621A**	315(A,J)AV060110	29000	13.00	15.50
1390023	165ANA030-B	CAP**3621A**	355(A,C)AV042080	29000	13.00	15.50
1390041	165ANA030-B	CAP**3621A**	355(A,C)AV060080	29000	13.00	15.50
1390073	165ANA030-B	CAP**3621A**	355(A,C)AV060100	29000	13.00	15.50
1121380	165ANA030-B	CAP**3621A**	355BAV042080	29000	13.00	15.50
1121881	165ANA030-B	CAP**3621A**	355BAV060080	29000	13.00	15.50
1152698	165ANA030-B	CAP**3621A**	355BAV060100	29000	13.00	15.50
909035	165ANA030-B	CAP**3621A**+TDR		28800	12.00	14.00
913534	165ANA030-B	CAP**4221A**	315(A,J)AV048090	29200	13.00	15.50
914372	165ANA030-B	CAP**4221A**	315(A,J)AV060110	29200	13.00	15.50
912124	165ANA030-B	CAP**4221A**	315(A,J)AV066135	29200	13.00	15.50
913668	165ANA030-B	CAP**4221A**	315(A,J)AV066155	29200	13.00	15.50
1389991	165ANA030-B	CAP**4221A**	355(A,C)AV042060	29000	13.00	15.50
1390021	165ANA030-B	CAP**4221A**	355(A,C)AV042080	29200	13.00	15.50
1390039	165ANA030-B	CAP**4221A**	355(A,C)AV060080	29000	13.00	15.50
1390061	165ANA030-B	CAP**4221A**	355(A,C)AV060100	29200	13.00	15.50
1390083	165ANA030-B	CAP**4221A**	355(A,C)AV060120	29000	13.00	15.50
1121485	165ANA030-B	CAP**4221A**	355BAV042060	29000	13.00	15.50
1121827	165ANA030-B	CAP**4221A**	355BAV042080	29200	13.00	15.50
1121866	165ANA030-B	CAP**4221A**	355BAV060080	29000	13.00	15.50
1121182	165ANA030-B	CAP**4221A**	355BAV060100	29200	13.00	15.50
1121959	165ANA030-B	CAP**4221A**	355BAV060120	29000	13.00	15.50
911214	165ANA030-B	CAP**4221A**+TDR		29000	12.00	14.00
908461	165ANA030-B	CAP**4224A**	315(A,J)AV060110	29200	13.00	15.50
907567	165ANA030-B	CAP**4224A**	315(A,J)AV066135	29200	13.00	15.50
912056	165ANA030-B	CAP**4224A**	315(A,J)AV066155	29200	13.00	15.50
1390013	165ANA030-B	CAP**4224A**	355(A,C)AV042080	29200	13.00	15.50
1390037	165ANA030-B	CAP**4224A**	355(A,C)AV060080	29000	13.00	15.50
1390059	165ANA030-B	CAP**4224A**	355(A,C)AV060100	29200	13.00	15.50
1390081	165ANA030-B	CAP**4224A**	355(A,C)AV060120	29000	13.00	15.50
1121854	165ANA030-B	CAP**4224A**	355BAV042080	29200	13.00	15.50
1121521	165ANA030-B	CAP**4224A**	355BAV060080	29000	13.00	15.50
1121641	165ANA030-B	CAP**4224A**	355BAV060100	29200	13.00	15.50
1121353	165ANA030-B	CAP**4224A**	355BAV060120	29000	13.00	15.50
910260	165ANA030-B	CAP**4224A**+TDR		29000	12.00	14.00
911058	165ANA030-B	CNPH*3017A**	315(A,J)AV036070	28800	12.90	15.00
909410	165ANA030-B	CNPH*3017A**	315(A,J)AV048090	28800	13.00	15.50

See notes on page 25

COMBINATION RATINGS CONTINUED

ARI Ref. No.	Model Number	Indoor Model	Furnace Model	Capacity	EER	SEER
912762	165ANA030-B	CNPH*3017A**	315(A,J)AV060110	29000	13.00	15.00
911422	165ANA030-B	CNPH*3017A**	315(A,J)AV066135	29000	13.00	15.50
912268	165ANA030-B	CNPH*3017A**	315(A,J)AV066155	29000	13.00	15.50
1389993	165ANA030-B	CNPH*3017A**	355(A,C)AV042060	28800	12.95	15.00
1390015	165ANA030-B	CNPH*3017A**	355(A,C)AV042080	28800	12.95	15.00
1390043	165ANA030-B	CNPH*3017A**	355(A,C)AV060080	28800	12.95	15.00
1390063	165ANA030-B	CNPH*3017A**	355(A,C)AV060100	28800	13.00	15.00
1390085	165ANA030-B	CNPH*3017A**	355(A,C)AV060120	28800	13.00	15.00
908431	165ANA030-B	CNPH*3017A**+TDR		28800	12.00	14.00
912784	165ANA030-B	CNPH*3617A**	315(A,J)AV036070	28800	12.90	15.00
908103	165ANA030-B	CNPH*3617A**	315(A,J)AV048090	28800	13.00	15.50
912262	165ANA030-B	CNPH*3617A**	315(A,J)AV060110	29000	13.00	15.00
909486	165ANA030-B	CNPH*3617A**	315(A,J)AV066135	29000	13.00	15.50
911392	165ANA030-B	CNPH*3617A**	315(A,J)AV066155	29000	13.00	15.50
1389995	165ANA030-B	CNPH*3617A**	355(A,C)AV042060	28800	12.95	15.00
1390017	165ANA030-B	CNPH*3617A**	355(A,C)AV042080	28800	12.95	15.00
1390049	165ANA030-B	CNPH*3617A**	355(A,C)AV060080	28800	12.95	15.00
1390065	165ANA030-B	CNPH*3617A**	355(A,C)AV060100	28800	13.00	15.00
1390087	165ANA030-B	CNPH*3617A**	355(A,C)AV060120	28800	13.00	15.00
912772	165ANA030-B	CNPH*3617A**+TDR		28800	12.00	14.00
907579	165ANA030-B	CNPH*4221A**	315(A,J)AV036070	29200	13.00	15.50
913278	165ANA030-B	CNPH*4221A**	315(A,J)AV048090	29200	13.00	15.50
911902	165ANA030-B	CNPH*4221A**	315(A,J)AV060110	29200	13.00	15.50
908351	165ANA030-B	CNPH*4221A**	315(A,J)AV066135	29200	13.20	16.00
913240	165ANA030-B	CNPH*4221A**	315(A,J)AV066155	29400	13.20	16.00
1389997	165ANA030-B	CNPH*4221A**	355(A,C)AV042060	29200	13.00	15.50
1390025	165ANA030-B	CNPH*4221A**	355(A,C)AV042080	29200	13.00	15.50
1390045	165ANA030-B	CNPH*4221A**	355(A,C)AV060080	29200	13.00	15.50
1390067	165ANA030-B	CNPH*4221A**	355(A,C)AV060100	29200	13.00	15.50
1390089	165ANA030-B	CNPH*4221A**	355(A,C)AV060120	29200	13.00	15.50
914238	165ANA030-B	CNPH*4221A**+TDR		29000	12.00	14.00
1031794	165ANA030-B	CNPV*2417A**	355AAV042040	18500	13.20	16.00
909188	165ANA030-B	CNPV*3014A**	315(A,J)AV036070	28800	12.80	15.00
1144611	165ANA030-B	CNPV*3014A**	368RAN036105	29000	12.50	15.00
1144609	165ANA030-B	CNPV*3014A**	374RAN036105	28600	12.50	15.00
913648	165ANA030-B	CNPV*3014A**+TDR		28800	12.00	14.00
913920	165ANA030-B	CNPV*3017A**	315(A,J)AV048090	28800	13.00	15.50
1390003	165ANA030-B	CNPV*3017A**	355(A,C)AV042060	28800	12.95	15.00
1031796	165ANA030-B	CNPV*3017A**	355AAV042040	18700	13.20	16.00
1152710	165ANA030-B	CNPV*3017A**	355BAV042060	28800	12.95	15.00
1144615	165ANA030-B	CNPV*3017A**	368RAN036105	29000	13.00	15.50
1144613	165ANA030-B	CNPV*3017A**	374RAN036105	28600	13.00	15.50
910682	165ANA030-B	CNPV*3017A**+TDR		28800	12.00	14.00
1411238	165ANA030-B	CNPV*3617A**	315(A,J)AV036070	28800	12.90	15.00
910692	165ANA030-B	CNPV*3617A**	315(A,J)AV048090	28800	13.00	15.50
1389999	165ANA030-B	CNPV*3617A**	355(A,C)AV042060	28800	12.95	15.00
1121215	165ANA030-B	CNPV*3617A**	355BAV042060	28800	12.95	15.00
1144619	165ANA030-B	CNPV*3617A**	368RAN036105	29000	13.00	15.50
1144617	165ANA030-B	CNPV*3617A**	374RAN036105	28600	13.00	15.50
907569	165ANA030-B	CNPV*3617A**+TDR		28800	12.00	14.00
909276	165ANA030-B	CNPV*3621A**	315(A,J)AV060110	29000	13.00	15.50
1390019	165ANA030-B	CNPV*3621A**	355(A,C)AV042080	28800	12.95	15.00
1390047	165ANA030-B	CNPV*3621A**	355(A,C)AV060080	28800	12.95	15.00
1390069	165ANA030-B	CNPV*3621A**	355(A,C)AV060100	28800	13.00	15.00
1121113	165ANA030-B	CNPV*3621A**	355BAV042080	28800	12.95	15.00
1121833	165ANA030-B	CNPV*3621A**	355BAV060080	28800	12.95	15.00
1122070	165ANA030-B	CNPV*3621A**	355BAV060100	28800	13.00	15.00
1144623	165ANA030-B	CNPV*3621A**	368RAN036105	29000	13.00	15.50
1144621	165ANA030-B	CNPV*3621A**	374RAN036105	28600	13.00	15.50
911296	165ANA030-B	CNPV*3621A**+TDR		28800	12.00	14.00
913024	165ANA030-B	CNPV*4221A**	315(A,J)AV048090	29200	13.00	15.50
914032	165ANA030-B	CNPV*4221A**	315(A,J)AV060110	29200	13.00	15.50
909874	165ANA030-B	CNPV*4221A**	315(A,J)AV066135	29200	13.20	16.00
912028	165ANA030-B	CNPV*4221A**	315(A,J)AV066155	29400	13.20	16.00
1390005	165ANA030-B	CNPV*4221A**	355(A,C)AV042060	29200	13.00	15.50
1390027	165ANA030-B	CNPV*4221A**	355(A,C)AV042080	29200	13.00	15.50
1390051	165ANA030-B	CNPV*4221A**	355(A,C)AV060080	29200	13.00	15.50
1390071	165ANA030-B	CNPV*4221A**	355(A,C)AV060100	29200	13.00	15.50
1390091	165ANA030-B	CNPV*4221A**	355(A,C)AV060120	29200	13.00	15.50
1152713	165ANA030-B	CNPV*4221A**	355BAV042060	29200	13.00	15.50
1121548	165ANA030-B	CNPV*4221A**	355BAV042080	29200	13.00	15.50
1152716	165ANA030-B	CNPV*4221A**	355BAV060080	29200	13.00	15.50
1121659	165ANA030-B	CNPV*4221A**	355BAV060100	29200	13.00	15.50

See notes on page 25

COMBINATION RATINGS CONTINUED

ARI Ref. No.	Model Number	Indoor Model	Furnace Model	Capacity	EER	SEER
1121137	165ANA030-B	CNPV*4221A**	355BAV060120	29200	13.00	15.50
908031	165ANA030-B	CNPV*4221A**+TDR		29000	12.00	14.00
1390007	165ANA030-B	CSPH*3012A**	355(A,C)AV042060	29000	12.95	15.00
1390031	165ANA030-B	CSPH*3012A**	355(A,C)AV042080	29000	12.90	15.00
1390053	165ANA030-B	CSPH*3012A**	355(A,C)AV060080	29000	12.95	15.00
1390075	165ANA030-B	CSPH*3012A**	355(A,C)AV060100	29000	13.00	15.00
1390093	165ANA030-B	CSPH*3012A**	355(A,C)AV060120	29000	13.00	15.00
1390009	165ANA030-B	CSPH*3612A**	355(A,C)AV042060	29400	13.00	15.50
1390033	165ANA030-B	CSPH*3612A**	355(A,C)AV042080	29400	13.00	15.50
1390055	165ANA030-B	CSPH*3612A**	355(A,C)AV060080	29400	13.00	15.50
1390077	165ANA030-B	CSPH*3612A**	355(A,C)AV060100	29400	13.00	15.50
1390095	165ANA030-B	CSPH*3612A**	355(A,C)AV060120	29400	13.00	15.50
1249637	165ANA030-B	FE4AN(B,F)003+UI		29200	13.00	15.50
1249652	165ANA030-B	FE4AN(B,F)005+UI		30000	13.20	16.00
1249708	165ANA030-B	FE4ANF002+UI		29000	13.00	15.50
1249713	165ANA030-B	FE5ANB004+UI		30200	13.20	16.00
910588	165ANA030-B	FF1ENP030		28200	11.85	13.50
912420	165ANA030-B	FF1ENP036		28800	12.00	14.00
1348222	165ANA030-B	FV4BN(B,F)003		29200	13.00	15.50
1348224	165ANA030-B	FV4BN(B,F)005		30000	12.50	15.00
913384	165ANA030-B	FV4BNF002		29000	13.00	15.50
909324	165ANA030-B	FX4CN(B,F)036		29000	12.50	15.00
910570	165ANA030-B	FX4CN(B,F)042		29200	12.40	14.50
912612	165ANA030-B	FX4CNF030		28600	12.50	15.00
911012	165ANA030-B	FY4ANF030		28400	12.00	14.00
910592	165ANA030-B	FY4ANF036		28600	11.85	13.50
912650	165ANA036-B	†CAP**4221A**+TDR		35000	12.00	14.00
3020796	165ANA036-B	CAP**3614A**	313*AV024045	34000	12.00	14.00
912914	165ANA036-B	CAP**3614A**	315(A,J)AV036070	34600	12.50	14.50
907301	165ANA036-B	CAP**3614A**+TDR		34600	11.95	14.00
3020797	165ANA036-B	CAP**3617A**	313*AV048070	35000	12.20	14.75
907193	165ANA036-B	CAP**3617A**	315(A,J)AV048090	34800	12.85	15.00
3120896	165ANA036-B	CAP**3617A**	353AAV036040	35000	12.20	14.50
3120897	165ANA036-B	CAP**3617A**	353AAV036060	35000	12.20	14.50
3120898	165ANA036-B	CAP**3617A**	353AAV036080	35000	12.50	15.00
3120899	165ANA036-B	CAP**3617A**	353AAV048080	35000	12.20	14.50
1390117	165ANA036-B	CAP**3617A**	355(A,C)AV042060	34600	12.75	15.00
1152722	165ANA036-B	CAP**3617A**	355BAV042060	34600	12.75	15.00
911072	165ANA036-B	CAP**3617A**+TDR		34800	11.90	14.00
3020798	165ANA036-B	CAP**3621A**	313*AV048090	35400	12.50	15.50
3020799	165ANA036-B	CAP**3621A**	313*AV060110	35600	13.00	15.50
910326	165ANA036-B	CAP**3621A**	315(A,J)AV060110	34800	12.95	15.00
3120900	165ANA036-B	CAP**3621A**	353AAV060100	35000	12.50	15.00
1390125	165ANA036-B	CAP**3621A**	355(A,C)AV042080	34600	12.50	14.50
1390151	165ANA036-B	CAP**3621A**	355(A,C)AV060080	34600	12.80	15.00
1390183	165ANA036-B	CAP**3621A**	355(A,C)AV060100	34800	12.85	15.00
1121911	165ANA036-B	CAP**3621A**	355BAV042080	34600	12.50	14.50
1121317	165ANA036-B	CAP**3621A**	355BAV060080	34600	12.80	15.00
1121782	165ANA036-B	CAP**3621A**	355BAV060100	34800	12.85	15.00
908795	165ANA036-B	CAP**3621A**+TDR		34800	11.90	14.00
3020800	165ANA036-B	CAP**4221A**	313*AV048090	35800	13.00	15.50
3020801	165ANA036-B	CAP**4221A**	313*AV060110	35800	13.00	15.50
909812	165ANA036-B	CAP**4221A**	315(A,J)AV060110	35200	13.00	15.50
3120901	165ANA036-B	CAP**4221A**	353AAV060100	35000	12.50	15.00
1390141	165ANA036-B	CAP**4221A**	355(A,C)AV042080	34800	12.70	15.00
1390171	165ANA036-B	CAP**4221A**	355(A,C)AV060080	35000	12.85	15.00
1121275	165ANA036-B	CAP**4221A**	355BAV042080	34800	12.70	15.00
1121314	165ANA036-B	CAP**4221A**	355BAV060080	35000	12.85	15.00
1121668	165ANA036-B	CAP**4221A**	355BAV060100	35800	12.85	15.00
911886	165ANA036-B	CAP**4224A**	315(A,J)AV066135	35000	13.00	15.50
913778	165ANA036-B	CAP**4224A**	315(A,J)AV066155	35200	13.00	15.50
1390209	165ANA036-B	CAP**4224A**	355(A,C)AV060120	35000	13.00	15.00
1121488	165ANA036-B	CAP**4224A**	355BAV060120	35000	13.00	15.00
907491	165ANA036-B	CAP**4224A**+TDR		35000	12.00	14.00
913566	165ANA036-B	CAP**4817A**	315(A,J)AV036070	35600	13.00	15.00
913122	165ANA036-B	CAP**4817A**	315(A,J)AV048090	35600	13.00	15.50
907311	165ANA036-B	CAP**4817A**	315(A,J)AV060110	35800	13.00	15.50
1390115	165ANA036-B	CAP**4817A**	355(A,C)AV042060	35600	13.00	15.50
1390123	165ANA036-B	CAP**4817A**	355(A,C)AV042080	35400	12.90	15.00
1390169	165ANA036-B	CAP**4817A**	355(A,C)AV060080	35600	13.00	15.00
1390181	165ANA036-B	CAP**4817A**	355(A,C)AV060100	35600	13.00	15.50
1152725	165ANA036-B	CAP**4817A**	355BAV042060	35600	13.00	15.50

See notes on page 25

COMBINATION RATINGS CONTINUED

ARI Ref. No.	Model Number	Indoor Model	Furnace Model	Capacity	EER	SEER
1121515	165ANA036-B	CAP**4817A**	355BAV042080	35400	12.90	15.00
1152728	165ANA036-B	CAP**4817A**	355BAV060080	35600	13.00	15.00
1121125	165ANA036-B	CAP**4817A**	355BAV060100	35600	13.00	15.50
912236	165ANA036-B	CAP**4817A**+TDR		35800	12.00	14.00
914078	165ANA036-B	CAP**4821A**	315(A,J)AV048090	35400	13.00	15.50
907741	165ANA036-B	CAP**4821A**	315(A,J)AV060110	35600	13.00	15.50
908685	165ANA036-B	CAP**4821A**	315(A,J)AV066135	35600	13.00	15.50
911080	165ANA036-B	CAP**4821A**	315(A,J)AV066155	35600	13.00	15.50
1390097	165ANA036-B	CAP**4821A**	355(A,C)AV042060	35400	13.00	15.50
1390121	165ANA036-B	CAP**4821A**	355(A,C)AV042080	35200	12.85	15.00
1390149	165ANA036-B	CAP**4821A**	355(A,C)AV060080	35400	13.00	15.00
1390179	165ANA036-B	CAP**4821A**	355(A,C)AV060100	35400	13.00	15.00
1390207	165ANA036-B	CAP**4821A**	355(A,C)AV060120	35400	13.00	15.50
1121590	165ANA036-B	CAP**4821A**	355BAV042060	35400	13.00	15.50
1121437	165ANA036-B	CAP**4821A**	355BAV042080	35200	12.85	15.00
1121608	165ANA036-B	CAP**4821A**	355BAV060080	35400	13.00	15.00
1121134	165ANA036-B	CAP**4821A**	355BAV060100	35400	13.00	15.00
1121626	165ANA036-B	CAP**4821A**	355BAV060120	35400	13.00	15.50
907843	165ANA036-B	CAP**4821A**+TDR		35600	12.00	14.00
908871	165ANA036-B	CAP**4824A**	315(A,J)AV060110	35600	13.00	15.50
908599	165ANA036-B	CAP**4824A**	315(A,J)AV066135	35600	13.00	15.50
910318	165ANA036-B	CAP**4824A**	315(A,J)AV066155	35600	13.00	15.50
1390119	165ANA036-B	CAP**4824A**	355(A,C)AV042080	35200	12.85	15.00
1390167	165ANA036-B	CAP**4824A**	355(A,C)AV060080	35400	13.00	15.00
1390203	165ANA036-B	CAP**4824A**	355(A,C)AV060100	35400	13.00	15.00
1390221	165ANA036-B	CAP**4824A**	355(A,C)AV060120	35400	13.00	15.50
1121281	165ANA036-B	CAP**4824A**	355BAV042080	35200	12.85	15.00
1121707	165ANA036-B	CAP**4824A**	355BAV060080	35400	13.00	15.00
1121284	165ANA036-B	CAP**4824A**	355BAV060100	35400	13.00	15.00
1121116	165ANA036-B	CAP**4824A**	355BAV060120	35400	13.00	15.50
913498	165ANA036-B	CAP**4824A**+TDR		35600	12.00	14.00
907277	165ANA036-B	CNPF*3618A**+TDR		34800	11.90	14.00
913140	165ANA036-B	CNPF*4818A**+TDR		35400	12.00	14.00
3020802	165ANA036-B	CNPH*3617A**	313*AV024045	34800	12.00	14.00
3020803	165ANA036-B	CNPH*3617A**	313*AV048070	35000	12.20	14.75
3020804	165ANA036-B	CNPH*3617A**	313*AV048090	35200	12.50	15.00
3020805	165ANA036-B	CNPH*3617A**	313*AV060110	35200	12.50	15.00
912822	165ANA036-B	CNPH*3617A**	315(A,J)AV036070	34600	12.50	14.50
909240	165ANA036-B	CNPH*3617A**	315(A,J)AV048090	34600	12.75	15.00
908255	165ANA036-B	CNPH*3617A**	315(A,J)AV060110	34800	12.75	15.00
907775	165ANA036-B	CNPH*3617A**	315(A,J)AV066135	34600	12.80	15.00
913102	165ANA036-B	CNPH*3617A**	315(A,J)AV066155	34800	12.90	15.00
3120912	165ANA036-B	CNPH*3617A**	353AAV036040	35000	12.20	14.50
3120913	165ANA036-B	CNPH*3617A**	353AAV036060	35000	12.20	14.50
3120914	165ANA036-B	CNPH*3617A**	353AAV036080	35000	12.20	14.50
3120915	165ANA036-B	CNPH*3617A**	353AAV048080	35000	12.20	14.50
3120916	165ANA036-B	CNPH*3617A**	353AAV060100	34800	12.50	15.00
1390099	165ANA036-B	CNPH*3617A**	355(A,C)AV042060	34600	12.65	15.00
1390127	165ANA036-B	CNPH*3617A**	355(A,C)AV042080	34400	12.45	14.50
1390153	165ANA036-B	CNPH*3617A**	355(A,C)AV060080	34600	12.50	14.50
1390185	165ANA036-B	CNPH*3617A**	355(A,C)AV060100	34600	12.70	15.00
1390211	165ANA036-B	CNPH*3617A**	355(A,C)AV060120	34600	12.70	15.00
908113	165ANA036-B	CNPH*3617A**+TDR		34800	11.90	14.00
3020806	165ANA036-B	CNPH*4221A**	313*AV024045	35400	12.20	14.50
3020807	165ANA036-B	CNPH*4221A**	313*AV048070	35400	12.20	15.00
3020808	165ANA036-B	CNPH*4221A**	313*AV048090	35600	12.50	15.50
3020809	165ANA036-B	CNPH*4221A**	313*AV060110	35800	13.00	15.50
908883	165ANA036-B	CNPH*4221A**	315(A,J)AV036070	35000	12.95	15.00
911250	165ANA036-B	CNPH*4221A**	315(A,J)AV048090	35200	13.00	15.50
911348	165ANA036-B	CNPH*4221A**	315(A,J)AV060110	35200	13.00	15.50
907175	165ANA036-B	CNPH*4221A**	315(A,J)AV066135	35200	13.00	15.50
909278	165ANA036-B	CNPH*4221A**	315(A,J)AV066155	35200	13.00	15.50
3120917	165ANA036-B	CNPH*4221A**	353AAV036040	35000	12.50	15.00
3120918	165ANA036-B	CNPH*4221A**	353AAV036060	35000	12.50	15.00
3120919	165ANA036-B	CNPH*4221A**	353AAV036080	35000	12.50	15.00
3120920	165ANA036-B	CNPH*4221A**	353AAV048080	35000	12.50	15.00
3120921	165ANA036-B	CNPH*4221A**	353AAV060100	35000	12.50	15.00
1390101	165ANA036-B	CNPH*4221A**	355(A,C)AV042060	35000	13.00	15.50
1390129	165ANA036-B	CNPH*4221A**	355(A,C)AV042080	35000	12.95	15.00
1390173	165ANA036-B	CNPH*4221A**	355(A,C)AV060080	35000	13.00	15.00
1390187	165ANA036-B	CNPH*4221A**	355(A,C)AV060100	35200	13.00	15.50
1390213	165ANA036-B	CNPH*4221A**	355(A,C)AV060120	35000	13.00	15.50
909856	165ANA036-B	CNPH*4221A**+TDR		35200	12.00	14.00

See notes on page 25

COMBINATION RATINGS CONTINUED

ARI Ref. No.	Model Number	Indoor Model	Furnace Model	Capacity	EER	SEER
910210	165ANA036-B	CNPH*4821A**	315(A,J)AV036070	35400	13.00	15.00
912208	165ANA036-B	CNPH*4821A**	315(A,J)AV048090	35600	13.00	15.50
910770	165ANA036-B	CNPH*4821A**	315(A,J)AV060110	35600	13.00	15.50
908149	165ANA036-B	CNPH*4821A**	315(A,J)AV066135	35600	13.00	15.50
913134	165ANA036-B	CNPH*4821A**	315(A,J)AV066155	35600	13.00	15.50
1390103	165ANA036-B	CNPH*4821A**	355(A,C)AV042060	35400	13.00	15.50
1390143	165ANA036-B	CNPH*4821A**	355(A,C)AV042080	35400	12.90	15.00
1390155	165ANA036-B	CNPH*4821A**	355(A,C)AV060080	35400	13.00	15.00
1390189	165ANA036-B	CNPH*4821A**	355(A,C)AV060100	35600	13.00	15.50
1390215	165ANA036-B	CNPH*4821A**	355(A,C)AV060120	35400	13.00	15.50
908987	165ANA036-B	CNPH*4821A**+TDR		35600	12.00	14.00
3020810	165ANA036-B	CNPV*3617A**	313*AV048070	35000	12.20	14.50
1069397	165ANA036-B	CNPV*3617A**	315(A,J)AV036070	34800	12.40	14.50
913290	165ANA036-B	CNPV*3617A**	315(A,J)AV048090	34600	12.75	15.00
3120902	165ANA036-B	CNPV*3617A**	353AAV036040	35000	12.20	14.50
3120903	165ANA036-B	CNPV*3617A**	353AAV036060	35000	12.20	14.50
3120904	165ANA036-B	CNPV*3617A**	353AAV036080	35000	12.20	14.50
3120905	165ANA036-B	CNPV*3617A**	353AAV048080	35000	12.20	14.50
1390105	165ANA036-B	CNPV*3617A**	355(A,C)AV042060	34600	12.65	15.00
1121311	165ANA036-B	CNPV*3617A**	355BAV042060	34600	12.65	15.00
1144627	165ANA036-B	CNPV*3617A**	368RAN036105	34800	11.50	14.00
1144631	165ANA036-B	CNPV*3617A**	368RAN060120	34800	11.70	14.50
1144625	165ANA036-B	CNPV*3617A**	374RAN036105	34400	11.50	14.00
1144629	165ANA036-B	CNPV*3617A**	374RAN060120	34600	11.70	14.50
908797	165ANA036-B	CNPV*3617A**+TDR		34800	11.90	14.00
3020811	165ANA036-B	CNPV*3621A**	313*AV048090	35200	12.50	15.00
3020812	165ANA036-B	CNPV*3621A**	313*AV060110	35200	12.50	15.00
907659	165ANA036-B	CNPV*3621A**	315(A,J)AV060110	34800	12.80	15.00
3120906	165ANA036-B	CNPV*3621A**	353AAV060100	35000	12.50	15.00
1390131	165ANA036-B	CNPV*3621A**	355(A,C)AV042080	34400	12.45	14.50
1390157	165ANA036-B	CNPV*3621A**	355(A,C)AV060080	34600	12.50	14.50
1390191	165ANA036-B	CNPV*3621A**	355(A,C)AV060100	34600	12.70	15.00
1121467	165ANA036-B	CNPV*3621A**	355BAV042080	34400	12.45	14.50
1121878	165ANA036-B	CNPV*3621A**	355BAV060080	34600	12.50	14.50
1121704	165ANA036-B	CNPV*3621A**	355BAV060100	34600	12.70	15.00
1144635	165ANA036-B	CNPV*3621A**	368RAN036105	34800	11.50	14.00
1144639	165ANA036-B	CNPV*3621A**	368RAN060120	34800	11.70	14.50
1144633	165ANA036-B	CNPV*3621A**	374RAN036105	34400	11.50	14.00
1144637	165ANA036-B	CNPV*3621A**	374RAN060120	34600	11.70	14.50
908767	165ANA036-B	CNPV*3621A**+TDR		34800	11.90	14.00
3120892	165ANA036-B	CNPV*4217A**		35000	12.00	14.00
3120895	165ANA036-B	CNPV*4217A**	313*AV048070	35000	12.20	14.50
3120894	165ANA036-B	CNPV*4217A**	315(A,J)AV048090	35000	12.50	15.00
3120907	165ANA036-B	CNPV*4217A**	353AAV036040	35000	12.50	15.00
3120908	165ANA036-B	CNPV*4217A**	353AAV036060	35000	12.50	15.00
3120909	165ANA036-B	CNPV*4217A**	353AAV036080	35000	12.50	15.00
3120910	165ANA036-B	CNPV*4217A**	353AAV048080	35000	12.50	15.00
3120893	165ANA036-B	CNPV*4217A**	355(A,C)AV042060	35000	12.50	15.00
3020813	165ANA036-B	CNPV*4221A**	313*AV048090	35600	12.50	15.50
3020814	165ANA036-B	CNPV*4221A**	313*AV060110	35800	13.00	15.50
910236	165ANA036-B	CNPV*4221A**	315(A,J)AV060110	35200	13.00	15.50
3120911	165ANA036-B	CNPV*4221A**	353AAV060100	35000	12.50	15.00
1390133	165ANA036-B	CNPV*4221A**	355(A,C)AV042080	35000	12.95	15.00
1390159	165ANA036-B	CNPV*4221A**	355(A,C)AV060080	35000	13.00	15.00
1390193	165ANA036-B	CNPV*4221A**	355(A,C)AV060100	35200	13.00	15.50
1121722	165ANA036-B	CNPV*4221A**	355BAV042080	35000	12.95	15.00
1121605	165ANA036-B	CNPV*4221A**	355BAV060080	35000	13.00	15.00
1121506	165ANA036-B	CNPV*4221A**	355BAV060100	35200	13.00	15.50
1144643	165ANA036-B	CNPV*4221A**	368RAN036105	35000	12.00	15.00
1144647	165ANA036-B	CNPV*4221A**	368RAN060120	35000	12.00	15.00
1144641	165ANA036-B	CNPV*4221A**	374RAN036105	35000	12.00	15.00
1144645	165ANA036-B	CNPV*4221A**	374RAN060120	35000	12.00	15.00
909768	165ANA036-B	CNPV*4221A**+TDR		35200	12.00	14.00
913728	165ANA036-B	CNPV*4821A**	315(A,J)AV048090	35600	13.00	15.50
912006	165ANA036-B	CNPV*4821A**	315(A,J)AV060110	35600	13.00	15.50
907889	165ANA036-B	CNPV*4821A**	315(A,J)AV066135	35600	13.00	15.50
911346	165ANA036-B	CNPV*4821A**	315(A,J)AV066155	35600	13.00	15.50
1390107	165ANA036-B	CNPV*4821A**	355(A,C)AV042060	35400	13.00	15.50
1390145	165ANA036-B	CNPV*4821A**	355(A,C)AV042080	35400	12.90	15.00
1390175	165ANA036-B	CNPV*4821A**	355(A,C)AV060080	35400	13.00	15.00
1390195	165ANA036-B	CNPV*4821A**	355(A,C)AV060100	35600	13.00	15.50
1390223	165ANA036-B	CNPV*4821A**	355(A,C)AV060120	35400	13.00	15.50
1121746	165ANA036-B	CNPV*4821A**	355BAV042060	35400	13.00	15.50

See notes on page 25

COMBINATION RATINGS CONTINUED

ARI Ref. No.	Model Number	Indoor Model	Furnace Model	Capacity	EER	SEER
1152737	165ANA036-B	CNPV*4821A**	355BAV042080	35400	12.90	15.00
1121149	165ANA036-B	CNPV*4821A**	355BAV060080	35400	13.00	15.00
1121140	165ANA036-B	CNPV*4821A**	355BAV060100	35600	13.00	15.50
1152740	165ANA036-B	CNPV*4821A**	355BAV060120	35400	13.00	15.50
912608	165ANA036-B	CNPV*4821A**+TDR		35600	12.00	14.00
914132	165ANA036-B	CNPV*4824A**	315(A,J)AV060110	35600	13.00	15.50
910688	165ANA036-B	CNPV*4824A**	315(A,J)AV066135	35600	13.00	15.50
907869	165ANA036-B	CNPV*4824A**	315(A,J)AV066155	35600	13.00	15.50
1390147	165ANA036-B	CNPV*4824A**	355(A,C)AV042080	35400	12.90	15.00
1390161	165ANA036-B	CNPV*4824A**	355(A,C)AV060080	35400	13.00	15.00
1390205	165ANA036-B	CNPV*4824A**	355(A,C)AV060100	35600	13.00	15.50
1390225	165ANA036-B	CNPV*4824A**	355(A,C)AV060120	35400	13.00	15.50
1121389	165ANA036-B	CNPV*4824A**	355BAV042080	35400	12.90	15.00
1121245	165ANA036-B	CNPV*4824A**	355BAV060080	35400	13.00	15.00
1121845	165ANA036-B	CNPV*4824A**	355BAV060100	35600	13.00	15.50
1121416	165ANA036-B	CNPV*4824A**	355BAV060120	35400	13.00	15.50
910182	165ANA036-B	CNPV*4824A**+TDR		35600	12.00	14.00
3020815	165ANA036-B	CSPH*3612A**	313*AV024045	34800	12.00	14.25
3020816	165ANA036-B	CSPH*3612A**	313*AV048070	35000	12.20	14.75
3020817	165ANA036-B	CSPH*3612A**	313*AV048090	35400	12.50	15.50
3020818	165ANA036-B	CSPH*3612A**	313*AV060110	35600	13.00	15.50
910946	165ANA036-B	CSPH*3612A**	315(A,J)AV036070	35400	12.90	15.00
910618	165ANA036-B	CSPH*3612A**	315(A,J)AV048090	35600	13.00	15.00
911614	165ANA036-B	CSPH*3612A**	315(A,J)AV060110	35600	13.00	15.00
909816	165ANA036-B	CSPH*3612A**	315(A,J)AV066135	35600	13.00	15.00
908769	165ANA036-B	CSPH*3612A**	315(A,J)AV066155	35600	13.00	15.50
3120922	165ANA036-B	CSPH*3612A**	353AAV036040	35000	12.20	14.50
3120923	165ANA036-B	CSPH*3612A**	353AAV036060	35000	12.20	14.50
3120924	165ANA036-B	CSPH*3612A**	353AAV036080	35000	12.50	15.00
3120925	165ANA036-B	CSPH*3612A**	353AAV048080	35000	12.20	14.50
3120926	165ANA036-B	CSPH*3612A**	353AAV060100	35000	12.50	15.00
1390109	165ANA036-B	CSPH*3612A**	355(A,C)AV042060	35400	13.00	15.00
1390135	165ANA036-B	CSPH*3612A**	355(A,C)AV042080	35400	12.50	14.50
1390163	165ANA036-B	CSPH*3612A**	355(A,C)AV060080	35400	12.95	15.00
1390197	165ANA036-B	CSPH*3612A**	355(A,C)AV060100	35600	13.00	15.00
1390227	165ANA036-B	CSPH*3612A**	355(A,C)AV060120	35400	13.00	15.00
914200	165ANA036-B	CSPH*3612A**+TDR		35800	12.00	14.00
3020819	165ANA036-B	CSPH*4212A**	313*AV024045	35600	12.20	14.50
3020820	165ANA036-B	CSPH*4212A**	313*AV048070	35600	12.20	14.50
3020821	165ANA036-B	CSPH*4212A**	313*AV048090	35800	13.00	15.50
3020822	165ANA036-B	CSPH*4212A**	313*AV060110	35800	13.00	15.50
913570	165ANA036-B	CSPH*4212A**	315(A,J)AV036070	35600	13.00	15.00
911896	165ANA036-B	CSPH*4212A**	315(A,J)AV048090	35800	13.00	15.50
907649	165ANA036-B	CSPH*4212A**	315(A,J)AV060110	35800	13.00	15.50
912100	165ANA036-B	CSPH*4212A**	315(A,J)AV066135	35800	13.00	15.50
908241	165ANA036-B	CSPH*4212A**	315(A,J)AV066155	35800	13.00	15.50
3120927	165ANA036-B	CSPH*4212A**	353AAV036040	35000	12.50	15.00
3120928	165ANA036-B	CSPH*4212A**	353AAV036060	35000	12.50	15.00
3120929	165ANA036-B	CSPH*4212A**	353AAV036080	35000	12.50	15.00
3120930	165ANA036-B	CSPH*4212A**	353AAV048080	35000	12.50	15.00
3120931	165ANA036-B	CSPH*4212A**	353AAV060100	35000	12.50	15.00
1390111	165ANA036-B	CSPH*4212A**	355(A,C)AV042060	35600	13.00	15.00
1390137	165ANA036-B	CSPH*4212A**	355(A,C)AV042080	35600	12.90	15.00
1390177	165ANA036-B	CSPH*4212A**	355(A,C)AV060080	35600	13.00	15.00
1390199	165ANA036-B	CSPH*4212A**	355(A,C)AV060100	35800	13.00	15.00
1390217	165ANA036-B	CSPH*4212A**	355(A,C)AV060120	35600	13.00	15.00
910964	165ANA036-B	CSPH*4212A**+TDR		36000	12.00	14.00
911572	165ANA036-B	CSPH*4812A**	315(A,J)AV036070	35800	13.00	15.00
909822	165ANA036-B	CSPH*4812A**	315(A,J)AV048090	35800	13.00	15.50
908485	165ANA036-B	CSPH*4812A**	315(A,J)AV060110	36000	13.00	15.50
913016	165ANA036-B	CSPH*4812A**	315(A,J)AV066135	36000	13.00	15.50
910074	165ANA036-B	CSPH*4812A**	315(A,J)AV066155	36000	13.00	15.50
1390113	165ANA036-B	CSPH*4812A**	355(A,C)AV042060	35800	13.00	15.00
1390139	165ANA036-B	CSPH*4812A**	355(A,C)AV042080	35600	12.90	15.00
1390165	165ANA036-B	CSPH*4812A**	355(A,C)AV060080	35800	13.00	15.00
1390201	165ANA036-B	CSPH*4812A**	355(A,C)AV060100	35800	13.00	15.00
1390219	165ANA036-B	CSPH*4812A**	355(A,C)AV060120	35800	13.00	15.50
909476	165ANA036-B	CSPH*4812A**+TDR		36000	12.00	14.00
1249649	165ANA036-B	FE4AN(B,F)003+UI		35000	13.00	15.50
1249645	165ANA036-B	FE4AN(B,F)005+UI		36200	13.20	16.00
1249719	165ANA036-B	FE4ANB006+UI		36600	13.20	16.00
1249717	165ANA036-B	FE4ANF002+UI		34800	12.50	15.00
1249722	165ANA036-B	FE5ANB004+UI		36400	13.20	16.00

See notes on page 25

COMBINATION RATINGS CONTINUED

ARI Ref. No.	Model Number	Indoor Model	Furnace Model	Capacity	EER	SEER
908147	165ANA036-B	FF1ENP036		35000	12.00	14.00
1348228	165ANA036-B	FV4BN(B,F)003		35000	13.00	15.50
1348231	165ANA036-B	FV4BN(B,F)005		36200	13.20	16.00
909802	165ANA036-B	FV4BNB006		36600	13.20	16.00
914346	165ANA036-B	FV4BNF002		34800	12.50	15.00
907809	165ANA036-B	FX4CN(B,F)036		35200	12.50	15.00
912152	165ANA036-B	FX4CN(B,F)042		35800	12.50	15.00
907935	165ANA036-B	FX4CN(B,F)048		36200	12.50	14.50
907677	165ANA036-B	FY4ANF036		34800	11.70	13.50
908783	165ANA036-B	FY4ANF042		35400	12.00	14.00
909214	165ANA036-B	FY4ANF048		36000	12.00	14.00
907419	165ANA042-B	†CAP**4821A**+TDR		41500	11.90	14.00
3020823	165ANA042-B	CAP**4221A**	313*AV048090	40500	12.20	15.00
3020824	165ANA042-B	CAP**4221A**	313*AV060110	40500	12.50	15.00
907521	165ANA042-B	CAP**4221A**	315(A,J)AV060110	40500	12.60	15.00
3120936	165ANA042-B	CAP**4221A**	353AAV060100	41000	12.50	15.00
1390249	165ANA042-B	CAP**4221A**	355(A,C)AV042080	40000	12.25	14.50
1390275	165ANA042-B	CAP**4221A**	355(A,C)AV060080	40500	12.35	14.50
1390299	165ANA042-B	CAP**4221A**	355(A,C)AV060100	40500	12.50	14.50
1121230	165ANA042-B	CAP**4221A**	355BAV042080	40000	12.25	14.50
1121545	165ANA042-B	CAP**4221A**	355BAV060080	40500	12.35	14.50
1121896	165ANA042-B	CAP**4221A**	355BAV060100	40500	12.50	14.50
912878	165ANA042-B	CAP**4221A**+TDR		40500	11.70	13.50
3020825	165ANA042-B	CAP**4224A**	313*AV060135	41000	12.50	15.00
908989	165ANA042-B	CAP**4224A**	315(A,J)AV066135	40500	12.80	15.00
910198	165ANA042-B	CAP**4224A**	315(A,J)AV066155	40500	12.80	15.00
3120937	165ANA042-B	CAP**4224A**	353AAV060120	41000	12.50	15.00
1390325	165ANA042-B	CAP**4224A**	355(A,C)AV060120	40500	12.55	15.00
1121713	165ANA042-B	CAP**4224A**	355BAV060120	40500	12.55	15.00
913512	165ANA042-B	CAP**4224A**+TDR		40500	11.70	13.50
3020826	165ANA042-B	CAP**4817A**	313*AV048070	41000	12.00	14.00
907593	165ANA042-B	CAP**4817A**	315(A,J)AV048090	41500	12.75	15.00
3120938	165ANA042-B	CAP**4817A**	353AAV036040	41000	12.20	14.50
3120939	165ANA042-B	CAP**4817A**	353AAV036060	41000	12.20	14.50
3120940	165ANA042-B	CAP**4817A**	353AAV036080	41000	12.50	15.00
3120941	165ANA042-B	CAP**4817A**	353AAV048080	41000	12.50	15.00
1390231	165ANA042-B	CAP**4817A**	355(A,C)AV042060	41000	12.60	15.00
1121287	165ANA042-B	CAP**4817A**	355BAV042060	41000	12.60	15.00
913236	165ANA042-B	CAP**4817A**+TDR		41500	12.00	14.00
3020827	165ANA042-B	CAP**4821A**	313*AV048090	41500	12.50	15.00
3020828	165ANA042-B	CAP**4821A**	313*AV060110	41500	12.50	15.00
912662	165ANA042-B	CAP**4821A**	315(A,J)AV060110	41000	12.75	15.00
3120942	165ANA042-B	CAP**4821A**	353AAV060100	41000	12.50	15.00
1390247	165ANA042-B	CAP**4821A**	355(A,C)AV042080	41000	12.40	14.50
1390273	165ANA042-B	CAP**4821A**	355(A,C)AV060080	41000	12.50	14.50
1121176	165ANA042-B	CAP**4821A**	355BAV042080	41000	12.40	14.50
1121950	165ANA042-B	CAP**4821A**	355BAV060080	41000	12.50	14.50
1121266	165ANA042-B	CAP**4821A**	355BAV060100	41500	12.35	14.50
3020829	165ANA042-B	CAP**4824A**	313*AV060135	41500	12.50	15.00
912644	165ANA042-B	CAP**4824A**	315(A,J)AV066135	41000	12.95	15.00
914286	165ANA042-B	CAP**4824A**	315(A,J)AV066155	41000	12.95	15.00
3120943	165ANA042-B	CAP**4824A**	353AAV060120	41000	12.50	15.00
1390323	165ANA042-B	CAP**4824A**	355(A,C)AV060120	41000	12.70	15.00
1121257	165ANA042-B	CAP**4824A**	355BAV060120	41000	12.70	15.00
907279	165ANA042-B	CAP**4824A**+TDR		41500	11.90	14.00
907877	165ANA042-B	CAP**6021A**	315(A,J)AV048090	42000	13.00	15.00
908439	165ANA042-B	CAP**6021A**	315(A,J)AV060110	42000	13.00	15.50
913432	165ANA042-B	CAP**6021A**	315(A,J)AV066135	42000	13.00	15.50
908517	165ANA042-B	CAP**6021A**	315(A,J)AV066155	42000	13.00	15.50
1390229	165ANA042-B	CAP**6021A**	355(A,C)AV042060	41500	12.85	15.00
1390263	165ANA042-B	CAP**6021A**	355(A,C)AV042080	41500	12.70	15.00
1390271	165ANA042-B	CAP**6021A**	355(A,C)AV060080	42000	12.80	15.00
1390297	165ANA042-B	CAP**6021A**	355(A,C)AV060100	42000	12.95	15.00
1390339	165ANA042-B	CAP**6021A**	355(A,C)AV060120	42000	13.00	15.00
1121509	165ANA042-B	CAP**6021A**	355BAV042060	41500	12.85	15.00
1122073	165ANA042-B	CAP**6021A**	355BAV042080	41500	12.70	15.00
1121632	165ANA042-B	CAP**6021A**	355BAV060080	42000	12.80	15.00
1121794	165ANA042-B	CAP**6021A**	355BAV060100	42000	12.95	15.00
1152746	165ANA042-B	CAP**6021A**	355BAV060120	42000	13.00	15.00
908119	165ANA042-B	CAP**6021A**+TDR		42000	12.00	14.00
912512	165ANA042-B	CAP**6024A**	315(A,J)AV060110	42000	13.00	15.00
910812	165ANA042-B	CAP**6024A**	315(A,J)AV066135	42000	13.00	15.50

See notes on page 25

COMBINATION RATINGS CONTINUED

ARI Ref. No.	Model Number	Indoor Model	Furnace Model	Capacity	EER	SEER
907861	165ANA042-B	CAP**6024A**	315(A,J)AV066155	42000	13.00	15.50
1390245	165ANA042-B	CAP**6024A**	355(A,C)AV042080	41500	12.60	15.00
1390291	165ANA042-B	CAP**6024A**	355(A,C)AV060080	41500	12.75	15.00
1390317	165ANA042-B	CAP**6024A**	355(A,C)AV060100	42000	12.85	15.00
1390321	165ANA042-B	CAP**6024A**	355(A,C)AV060120	41500	12.90	15.00
1121413	165ANA042-B	CAP**6024A**	355BAV042080	41500	12.60	15.00
1121473	165ANA042-B	CAP**6024A**	355BAV060080	41500	12.75	15.00
1152749	165ANA042-B	CAP**6024A**	355BAV060100	42000	12.85	15.00
1121566	165ANA042-B	CAP**6024A**	355BAV060120	41500	12.90	15.00
910778	165ANA042-B	CAP**6024A**+TDR		42000	12.00	14.00
912526	165ANA042-B	CNPF*4818A**+TDR		41000	11.85	14.00
3020830	165ANA042-B	CNPH*4221A**	313*AV048070	40500	11.70	14.00
3020831	165ANA042-B	CNPH*4221A**	313*AV048090	40500	12.20	15.00
3020832	165ANA042-B	CNPH*4221A**	313*AV060110	40500	12.50	15.00
3020833	165ANA042-B	CNPH*4221A**	313*AV060135	40500	12.20	15.00
912120	165ANA042-B	CNPH*4221A**	315(A,J)AV036070	40500	12.45	14.50
909924	165ANA042-B	CNPH*4221A**	315(A,J)AV060110	41000	12.90	15.00
913670	165ANA042-B	CNPH*4221A**	315(A,J)AV066135	41000	13.00	15.50
912374	165ANA042-B	CNPH*4221A**	315(A,J)AV066155	41000	13.00	15.50
3120951	165ANA042-B	CNPH*4221A**	353AAV036040	41000	12.20	14.50
3120952	165ANA042-B	CNPH*4221A**	353AAV036060	40500	12.20	14.50
3120953	165ANA042-B	CNPH*4221A**	353AAV036080	40500	12.20	14.50
3120954	165ANA042-B	CNPH*4221A**	353AAV048080	40500	12.20	14.50
3120955	165ANA042-B	CNPH*4221A**	353AAV060100	40500	12.20	14.50
3120956	165ANA042-B	CNPH*4221A**	353AAV060120	41000	12.20	14.50
1390233	165ANA042-B	CNPH*4221A**	355(A,C)AV042060	40500	12.65	15.00
1390251	165ANA042-B	CNPH*4221A**	355(A,C)AV042080	40500	12.50	14.50
1390277	165ANA042-B	CNPH*4221A**	355(A,C)AV060080	40500	12.55	15.00
1390301	165ANA042-B	CNPH*4221A**	355(A,C)AV060100	40500	12.75	15.00
1390327	165ANA042-B	CNPH*4221A**	355(A,C)AV060120	40500	12.80	15.00
913078	165ANA042-B	CNPH*4221A**+TDR		41000	11.70	13.50
3020834	165ANA042-B	CNPH*4821A**	313*AV048070	41500	12.00	14.00
3020835	165ANA042-B	CNPH*4821A**	313*AV048090	41500	12.50	15.00
3020836	165ANA042-B	CNPH*4821A**	313*AV060110	41500	12.50	15.00
3020837	165ANA042-B	CNPH*4821A**	313*AV060135	41500	12.50	15.00
907747	165ANA042-B	CNPH*4821A**	315(A,J)AV036070	41000	12.45	14.50
912816	165ANA042-B	CNPH*4821A**	315(A,J)AV048090	41000	12.80	15.00
908555	165ANA042-B	CNPH*4821A**	315(A,J)AV060110	41500	12.85	15.00
907863	165ANA042-B	CNPH*4821A**	315(A,J)AV066135	41500	12.95	15.00
912846	165ANA042-B	CNPH*4821A**	315(A,J)AV066155	41500	13.00	15.00
3120957	165ANA042-B	CNPH*4821A**	353AAV036040	41000	12.20	14.50
3120958	165ANA042-B	CNPH*4821A**	353AAV036060	41000	12.20	14.50
3120959	165ANA042-B	CNPH*4821A**	353AAV036080	41000	12.50	15.00
3120960	165ANA042-B	CNPH*4821A**	353AAV048080	41000	12.50	15.00
3120961	165ANA042-B	CNPH*4821A**	353AAV060100	41000	12.50	15.00
3120962	165ANA042-B	CNPH*4821A**	353AAV060120	41000	12.50	15.00
1390235	165ANA042-B	CNPH*4821A**	355(A,C)AV042060	41000	12.65	15.00
1390253	165ANA042-B	CNPH*4821A**	355(A,C)AV042080	41000	12.45	14.50
1390279	165ANA042-B	CNPH*4821A**	355(A,C)AV060080	41000	12.60	15.00
1390303	165ANA042-B	CNPH*4821A**	355(A,C)AV060100	41000	12.70	15.00
1390329	165ANA042-B	CNPH*4821A**	355(A,C)AV060120	41000	12.75	15.00
912968	165ANA042-B	CNPH*4821A**+TDR		41500	11.90	14.00
907887	165ANA042-B	CNPH*6024A**	315(A,J)AV036070	41500	12.65	15.00
909280	165ANA042-B	CNPH*6024A**	315(A,J)AV048090	42000	12.95	15.00
911974	165ANA042-B	CNPH*6024A**	315(A,J)AV060110	42000	13.00	15.50
914140	165ANA042-B	CNPH*6024A**	315(A,J)AV066135	42000	13.00	15.50
907839	165ANA042-B	CNPH*6024A**	315(A,J)AV066155	42000	13.00	15.50
1390237	165ANA042-B	CNPH*6024A**	355(A,C)AV042060	41500	12.85	15.00
1390255	165ANA042-B	CNPH*6024A**	355(A,C)AV042080	41500	12.65	15.00
1390281	165ANA042-B	CNPH*6024A**	355(A,C)AV060080	41500	12.75	15.00
1390305	165ANA042-B	CNPH*6024A**	355(A,C)AV060100	42000	12.90	15.00
1390331	165ANA042-B	CNPH*6024A**	355(A,C)AV060120	41500	12.95	15.00
913320	165ANA042-B	CNPH*6024A**+TDR		42000	12.00	14.00
3120935	165ANA042-B	CNPV*4217A**	313*AV048070	40500	12.00	14.00
3120934	165ANA042-B	CNPV*4217A**	315(A,J)AV048090	41000	12.20	14.50
3120944	165ANA042-B	CNPV*4217A**	353AAV036040	41000	12.20	14.50
3120945	165ANA042-B	CNPV*4217A**	353AAV036060	41000	12.20	14.50
3120946	165ANA042-B	CNPV*4217A**	353AAV036080	41000	12.20	14.50
3120947	165ANA042-B	CNPV*4217A**	353AAV048080	41000	12.20	14.50
3120933	165ANA042-B	CNPV*4217A**	355(A,C)AV042060	41000	12.20	14.50
3120932	165ANA042-B	CNPV*4217A**+TDR		41000	11.70	14.00
3020838	165ANA042-B	CNPV*4221A**	313*AV048090	40500	12.20	15.00
3020839	165ANA042-B	CNPV*4221A**	313*AV060110	40500	12.50	15.00

See notes on page 25

COMBINATION RATINGS CONTINUED

ARI Ref. No.	Model Number	Indoor Model	Furnace Model	Capacity	EER	SEER
1069399	165ANA042-B	CNPV*4221A**	315(A,J)AV048090	40500	12.50	15.00
914310	165ANA042-B	CNPV*4221A**	315(A,J)AV060110	41000	12.90	15.00
3120948	165ANA042-B	CNPV*4221A**	353AAV060100	40500	12.20	14.50
1390257	165ANA042-B	CNPV*4221A**	355(A,C)AV042080	40500	12.50	14.50
1390283	165ANA042-B	CNPV*4221A**	355(A,C)AV060080	40500	12.55	15.00
1390307	165ANA042-B	CNPV*4221A**	355(A,C)AV060100	40500	12.75	15.00
1121365	165ANA042-B	CNPV*4221A**	355BAV042080	40500	12.50	14.50
1121491	165ANA042-B	CNPV*4221A**	355BAV060080	40500	12.55	15.00
1121656	165ANA042-B	CNPV*4221A**	355BAV060100	40500	12.75	15.00
1144651	165ANA042-B	CNPV*4221A**	368RAN060120	40500	12.00	15.00
1144649	165ANA042-B	CNPV*4221A**	374RAN060120	40500	12.00	15.00
910144	165ANA042-B	CNPV*4221A**+TDR		41000	11.70	13.50
3020840	165ANA042-B	CNPV*4821A**	313*AV048090	41500	12.50	15.00
3020841	165ANA042-B	CNPV*4821A**	313*AV060110	41500	12.50	15.00
908017	165ANA042-B	CNPV*4821A**	315(A,J)AV060110	41500	12.85	15.00
3120949	165ANA042-B	CNPV*4821A**	353AAV060100	41000	12.50	15.00
1390259	165ANA042-B	CNPV*4821A**	355(A,C)AV042080	41000	12.45	14.50
1390285	165ANA042-B	CNPV*4821A**	355(A,C)AV060080	41000	12.60	15.00
1390309	165ANA042-B	CNPV*4821A**	355(A,C)AV060100	41000	12.70	15.00
1121299	165ANA042-B	CNPV*4821A**	355BAV042080	41000	12.45	14.50
1121575	165ANA042-B	CNPV*4821A**	355BAV060080	41000	12.60	15.00
1121161	165ANA042-B	CNPV*4821A**	355BAV060100	41000	12.70	15.00
1144655	165ANA042-B	CNPV*4821A**	368RAN060120	41000	12.00	15.00
1144653	165ANA042-B	CNPV*4821A**	374RAN060120	41000	12.00	15.00
910220	165ANA042-B	CNPV*4821A**+TDR		41500	11.90	14.00
3020842	165ANA042-B	CNPV*4824A**	313*AV060135	41500	12.50	15.00
911848	165ANA042-B	CNPV*4824A**	315(A,J)AV066135	41500	12.95	15.50
912808	165ANA042-B	CNPV*4824A**	315(A,J)AV066155	41500	13.00	15.50
3120950	165ANA042-B	CNPV*4824A**	353AAV060120	41000	12.50	15.00
1390333	165ANA042-B	CNPV*4824A**	355(A,C)AV060120	41000	12.75	15.00
1121236	165ANA042-B	CNPV*4824A**	355BAV060120	41000	12.75	15.00
1144659	165ANA042-B	CNPV*4824A**	368RAN060120	41000	12.00	15.00
1144657	165ANA042-B	CNPV*4824A**	374RAN060120	41000	12.00	15.00
911112	165ANA042-B	CNPV*4824A**+TDR		41500	11.90	14.00
913360	165ANA042-B	CNPV*6024A**	315(A,J)AV060110	42000	13.00	15.50
913212	165ANA042-B	CNPV*6024A**	315(A,J)AV066135	42000	13.00	15.50
907787	165ANA042-B	CNPV*6024A**	315(A,J)AV066155	42000	13.00	15.50
1390265	165ANA042-B	CNPV*6024A**	355(A,C)AV042080	41500	12.65	15.00
1390293	165ANA042-B	CNPV*6024A**	355(A,C)AV060080	41500	12.75	15.00
1390319	165ANA042-B	CNPV*6024A**	355(A,C)AV060100	42000	12.90	15.00
1390341	165ANA042-B	CNPV*6024A**	355(A,C)AV060120	41500	12.95	15.00
1121170	165ANA042-B	CNPV*6024A**	355BAV042080	41500	12.65	15.00
1121764	165ANA042-B	CNPV*6024A**	355BAV060080	41500	12.75	15.00
1121851	165ANA042-B	CNPV*6024A**	355BAV060100	42000	12.90	15.00
1121593	165ANA042-B	CNPV*6024A**	355BAV060120	41500	12.95	15.00
910404	165ANA042-B	CNPV*6024A**+TDR		42000	12.00	14.00
3020843	165ANA042-B	CSPH*4212A**	313*AV048070	40500	12.00	14.00
3020844	165ANA042-B	CSPH*4212A**	313*AV048090	40500	12.20	15.00
3020845	165ANA042-B	CSPH*4212A**	313*AV060110	40500	12.50	15.00
3020846	165ANA042-B	CSPH*4212A**	313*AV060135	40500	12.50	15.00
908569	165ANA042-B	CSPH*4212A**	315(A,J)AV036070	41000	12.40	14.50
912482	165ANA042-B	CSPH*4212A**	315(A,J)AV048090	41500	12.75	15.00
912322	165ANA042-B	CSPH*4212A**	315(A,J)AV060110	41500	12.75	15.00
909846	165ANA042-B	CSPH*4212A**	315(A,J)AV066135	41500	12.90	15.00
908933	165ANA042-B	CSPH*4212A**	315(A,J)AV066155	41500	12.95	15.00
3120963	165ANA042-B	CSPH*4212A**	353AAV036040	41000	12.20	14.50
3120964	165ANA042-B	CSPH*4212A**	353AAV036060	41000	12.20	14.50
3120965	165ANA042-B	CSPH*4212A**	353AAV036080	41000	12.20	14.50
3120966	165ANA042-B	CSPH*4212A**	353AAV048080	41000	12.20	14.50
3120967	165ANA042-B	CSPH*4212A**	353AAV060100	41000	12.50	15.00
3120968	165ANA042-B	CSPH*4212A**	353AAV060120	41000	12.50	15.00
1390239	165ANA042-B	CSPH*4212A**	355(A,C)AV042060	41000	12.60	15.00
1390261	165ANA042-B	CSPH*4212A**	355(A,C)AV042080	41000	12.40	14.50
1390287	165ANA042-B	CSPH*4212A**	355(A,C)AV060080	41000	12.50	14.50
1390311	165ANA042-B	CSPH*4212A**	355(A,C)AV060100	41500	12.65	15.00
1390335	165ANA042-B	CSPH*4212A**	355(A,C)AV060120	41000	12.70	15.00
914206	165ANA042-B	CSPH*4212A**+TDR		41500	11.95	14.00
3020847	165ANA042-B	CSPH*4812A**	313*AV048070	41500	12.00	14.00
3020848	165ANA042-B	CSPH*4812A**	313*AV048090	41500	12.50	15.00
3020849	165ANA042-B	CSPH*4812A**	313*AV060110	41500	12.50	15.00
3020850	165ANA042-B	CSPH*4812A**	313*AV060135	41500	12.50	15.00
911034	165ANA042-B	CSPH*4812A**	315(A,J)AV036070	41500	12.45	14.50
908959	165ANA042-B	CSPH*4812A**	315(A,J)AV048090	41500	12.80	15.00

See notes on page 25

COMBINATION RATINGS CONTINUED

ARI Ref. No.	Model Number	Indoor Model	Furnace Model	Capacity	EER	SEER
914152	165ANA042-B	CSPH*4812A**	315(A,J)AV060110	41500	12.80	15.00
908369	165ANA042-B	CSPH*4812A**	315(A,J)AV066135	41500	12.95	15.00
910844	165ANA042-B	CSPH*4812A**	315(A,J)AV066155	41500	13.00	15.50
3120969	165ANA042-B	CSPH*4812A**	353AAV036040	41000	12.20	14.50
3120970	165ANA042-B	CSPH*4812A**	353AAV036060	41000	12.20	14.50
3120971	165ANA042-B	CSPH*4812A**	353AAV036080	41000	12.50	15.00
3120972	165ANA042-B	CSPH*4812A**	353AAV048080	41000	12.50	15.00
3120973	165ANA042-B	CSPH*4812A**	353AAV060100	41000	12.50	15.00
3120974	165ANA042-B	CSPH*4812A**	353AAV060120	41000	12.50	15.00
1390241	165ANA042-B	CSPH*4812A**	355(A,C)AV042060	41500	12.65	15.00
1390267	165ANA042-B	CSPH*4812A**	355(A,C)AV042080	41000	12.45	14.50
1390295	165ANA042-B	CSPH*4812A**	355(A,C)AV060080	41500	12.60	15.00
1390313	165ANA042-B	CSPH*4812A**	355(A,C)AV060100	41500	12.70	15.00
1390337	165ANA042-B	CSPH*4812A**	355(A,C)AV060120	41500	12.75	15.00
912702	165ANA042-B	CSPH*4812A**+TDR		42000	12.00	14.00
911006	165ANA042-B	CSPH*6012A**	315(A,J)AV036070	42000	12.65	15.00
909198	165ANA042-B	CSPH*6012A**	315(A,J)AV048090	42000	13.00	15.50
907977	165ANA042-B	CSPH*6012A**	315(A,J)AV060110	42000	13.00	15.50
907933	165ANA042-B	CSPH*6012A**	315(A,J)AV066135	42000	13.00	15.50
910704	165ANA042-B	CSPH*6012A**	315(A,J)AV066155	42000	13.00	15.50
1390243	165ANA042-B	CSPH*6012A**	355(A,C)AV042060	42000	12.85	15.00
1390269	165ANA042-B	CSPH*6012A**	355(A,C)AV042080	41500	12.65	15.00
1390289	165ANA042-B	CSPH*6012A**	355(A,C)AV060080	42000	12.80	15.00
1390315	165ANA042-B	CSPH*6012A**	355(A,C)AV060100	42000	12.95	15.00
1390343	165ANA042-B	CSPH*6012A**	355(A,C)AV060120	42000	12.95	15.00
909408	165ANA042-B	CSPH*6012A**+TDR		42500	12.00	14.00
1249655	165ANA042-B	FE4AN(B,F)003+UI		40500	12.65	15.00
1249662	165ANA042-B	FE4AN(B,F)005+UI		42000	13.00	15.50
1249730	165ANA042-B	FESANB004+UI		42500	13.00	16.00
1348234	165ANA042-B	FV4BN(B,F)003		40500	12.65	15.00
1348237	165ANA042-B	FV4BN(B,F)005		42000	13.00	15.50
1037332	165ANA042-B	FV4BNB006		42500	13.00	16.00
909784	165ANA042-B	FX4CN(B,F)042		41500	12.20	14.50
909300	165ANA042-B	FX4CN(B,F)048		42500	12.50	15.00
912488	165ANA042-B	FY4ANF042		41000	11.65	13.50
914282	165ANA042-B	FY4ANF048		42000	11.95	14.00
912836	165ANA048-B	†CAP**6024A**+TDR		48000	12.00	14.00
3020851	165ANA048-B	CAP**4817A**	313*AV048070	46500	11.50	13.20
912758	165ANA048-B	CAP**4817A**	315(A,J)AV048090	46500	12.00	14.00
3120975	165ANA048-B	CAP**4817A**	353AAV048080	47000	12.00	14.00
914006	165ANA048-B	CAP**4817A**+TDR		46500	11.70	13.50
3020852	165ANA048-B	CAP**4821A**	313*AV048090	47000	12.20	14.25
3020853	165ANA048-B	CAP**4821A**	313*AV060110	47000	12.20	14.50
913448	165ANA048-B	CAP**4821A**	315(A,J)AV060110	46500	12.00	14.00
3120976	165ANA048-B	CAP**4821A**	353AAV060100	47000	12.00	14.00
1390347	165ANA048-B	CAP**4821A**	355(A,C)AV060080	46000	12.00	14.00
1390359	165ANA048-B	CAP**4821A**	355(A,C)AV060100	46000	12.00	14.00
1121431	165ANA048-B	CAP**4821A**	355BAV060080	46000	12.00	14.00
1121893	165ANA048-B	CAP**4821A**	355BAV060100	46000	12.00	14.00
913462	165ANA048-B	CAP**4821A**+TDR		47000	11.70	13.50
3020854	165ANA048-B	CAP**4824A**	313*AV060135	47000	12.20	14.50
910928	165ANA048-B	CAP**4824A**	315(A,J)AV066135	46500	12.50	14.50
913316	165ANA048-B	CAP**4824A**	315(A,J)AV066155	46500	12.50	14.50
3120977	165ANA048-B	CAP**4824A**	353AAV060120	47000	12.20	14.50
1390381	165ANA048-B	CAP**4824A**	355(A,C)AV060120	46000	12.00	14.00
1121740	165ANA048-B	CAP**4824A**	355BAV060120	46000	12.00	14.00
913774	165ANA048-B	CAP**4824A**+TDR		47000	11.70	13.50
3020855	165ANA048-B	CAP**6021A**	313*AV048090	47500	12.20	14.50
3020856	165ANA048-B	CAP**6021A**	313*AV060110	47500	12.50	15.00
907413	165ANA048-B	CAP**6021A**	315(A,J)AV060110	47500	12.50	14.50
3120978	165ANA048-B	CAP**6021A**	353AAV060100	47000	12.20	14.50
1390345	165ANA048-B	CAP**6021A**	355(A,C)AV060080	47000	12.50	14.50
1390371	165ANA048-B	CAP**6021A**	355(A,C)AV060100	47500	12.50	14.50
1121173	165ANA048-B	CAP**6021A**	355BAV060080	47000	12.50	14.50
1121188	165ANA048-B	CAP**6021A**	355BAV060100	47500	12.50	14.50
909232	165ANA048-B	CAP**6021A**+TDR		48000	12.00	14.00
3020857	165ANA048-B	CAP**6024A**	313*AV060135	48000	12.20	14.50
909308	165ANA048-B	CAP**6024A**	315(A,J)AV066155	47500	13.00	15.00
3120979	165ANA048-B	CAP**6024A**	353AAV060120	47000	12.20	14.50
1121401	165ANA048-B	CAP**6024A**	355BAV060120	48000	12.30	14.50
913302	165ANA048-B	CNPF*4818A**+TDR		46000	11.70	13.50
3020858	165ANA048-B	CNPH*4821A**	313*AV048070	47000	11.50	13.20

See notes on page 25

COMBINATION RATINGS CONTINUED

ARI Ref. No.	Model Number	Indoor Model	Furnace Model	Capacity	EER	SEER
3020859	165ANA048-B	CNPH*4821A**	313*AV048090	47000	12.20	14.25
3020860	165ANA048-B	CNPH*4821A**	313*AV060110	47000	12.20	14.50
3020861	165ANA048-B	CNPH*4821A**	313*AV060135	47000	12.50	14.50
910598	165ANA048-B	CNPH*4821A**	315(A,J)AV048090	46500	12.00	14.00
911814	165ANA048-B	CNPH*4821A**	315(A,J)AV060110	46500	12.00	14.00
914170	165ANA048-B	CNPH*4821A**	315(A,J)AV066135	46500	12.50	14.50
910262	165ANA048-B	CNPH*4821A**	315(A,J)AV066155	46500	12.50	14.50
3120983	165ANA048-B	CNPH*4821A**	353AAV048080	47000	12.00	14.00
3120984	165ANA048-B	CNPH*4821A**	353AAV060100	47000	12.00	14.00
3120985	165ANA048-B	CNPH*4821A**	353AAV060120	47000	12.20	14.50
1390349	165ANA048-B	CNPH*4821A**	355(A,C)AV060080	46500	12.00	14.00
1390361	165ANA048-B	CNPH*4821A**	355(A,C)AV060100	46500	12.00	14.00
1390383	165ANA048-B	CNPH*4821A**	355(A,C)AV060120	46500	12.00	14.00
910934	165ANA048-B	CNPH*4821A**+TDR		47000	11.70	13.50
3020862	165ANA048-B	CNPH*6024A**	313*AV048070	47500	11.70	13.50
3020863	165ANA048-B	CNPH*6024A**	313*AV048090	48000	12.20	14.50
3020864	165ANA048-B	CNPH*6024A**	313*AV060110	48000	12.50	15.00
3020865	165ANA048-B	CNPH*6024A**	313*AV060135	48000	12.20	14.50
912544	165ANA048-B	CNPH*6024A**	315(A,J)AV048090	47000	12.50	14.50
909706	165ANA048-B	CNPH*6024A**	315(A,J)AV060110	47500	12.50	14.50
912780	165ANA048-B	CNPH*6024A**	315(A,J)AV066135	47500	12.90	15.00
907643	165ANA048-B	CNPH*6024A**	315(A,J)AV066155	47500	13.00	15.00
3120986	165ANA048-B	CNPH*6024A**	353AAV048080	47000	12.00	14.00
3120987	165ANA048-B	CNPH*6024A**	353AAV060100	47000	12.20	14.50
3120988	165ANA048-B	CNPH*6024A**	353AAV060120	47000	12.20	14.50
1390357	165ANA048-B	CNPH*6024A**	355(A,C)AV060080	47000	12.50	14.50
1390363	165ANA048-B	CNPH*6024A**	355(A,C)AV060100	47000	12.50	14.50
1390373	165ANA048-B	CNPH*6024A**	355(A,C)AV060120	47000	12.50	14.50
910560	165ANA048-B	CNPH*6024A**+TDR		39000	12.00	14.00
3020866	165ANA048-B	CNPV*4821A**	313*AV048090	47000	12.20	14.25
3020867	165ANA048-B	CNPV*4821A**	313*AV060110	47000	12.20	14.50
1069403	165ANA048-B	CNPV*4821A**	315(A,J)AV048090	47500	12.00	14.00
910272	165ANA048-B	CNPV*4821A**	315(A,J)AV060110	46500	12.00	14.00
3120980	165ANA048-B	CNPV*4821A**	353AAV060100	47000	12.00	14.00
1390351	165ANA048-B	CNPV*4821A**	355(A,C)AV060080	46500	12.00	14.00
1390365	165ANA048-B	CNPV*4821A**	355(A,C)AV060100	46500	12.00	14.00
1121191	165ANA048-B	CNPV*4821A**	355BAV060080	46500	12.00	14.00
1121227	165ANA048-B	CNPV*4821A**	355BAV060100	46500	12.00	14.00
1158806	165ANA048-B	CNPV*4821A**	368RAN060120	47500	12.00	14.00
1158805	165ANA048-B	CNPV*4821A**	374RAN060120	47500	11.50	14.00
912588	165ANA048-B	CNPV*4821A**+TDR		47000	11.70	13.50
3020868	165ANA048-B	CNPV*4824A**	313*AV060135	47000	12.20	14.50
914064	165ANA048-B	CNPV*4824A**	315(A,J)AV066135	46500	12.50	14.50
914326	165ANA048-B	CNPV*4824A**	315(A,J)AV066155	46500	12.50	14.50
3120981	165ANA048-B	CNPV*4824A**	353AAV060120	47000	12.20	14.50
1390385	165ANA048-B	CNPV*4824A**	355(A,C)AV060120	46500	12.00	14.00
1121404	165ANA048-B	CNPV*4824A**	355BAV060120	46500	12.00	14.00
1158808	165ANA048-B	CNPV*4824A**	368RAN060120	47500	11.50	14.00
1158807	165ANA048-B	CNPV*4824A**	374RAN060120	47500	11.50	14.00
909746	165ANA048-B	CNPV*4824A**+TDR		47000	11.70	13.50
3020869	165ANA048-B	CNPV*6024A**	313*AV060135	48000	12.20	14.50
914092	165ANA048-B	CNPV*6024A**	315(A,J)AV066135	47500	12.90	15.00
910108	165ANA048-B	CNPV*6024A**	315(A,J)AV066155	47500	13.00	15.00
3120982	165ANA048-B	CNPV*6024A**	353AAV060120	47000	12.20	14.50
1390375	165ANA048-B	CNPV*6024A**	355(A,C)AV060120	47000	12.50	14.50
1121683	165ANA048-B	CNPV*6024A**	355BAV060120	47000	12.50	14.50
1158810	165ANA048-B	CNPV*6024A**	368RAN060120	48000	11.70	14.50
1158809	165ANA048-B	CNPV*6024A**	374RAN060120	48000	11.50	14.00
907511	165ANA048-B	CNPV*6024A**+TDR		48000	12.00	14.00
3020870	165ANA048-B	CSPH*4812A**	313*AV048070	47000	11.50	13.20
3020871	165ANA048-B	CSPH*4812A**	313*AV048090	47000	12.20	14.25
3020872	165ANA048-B	CSPH*4812A**	313*AV060110	47000	12.20	14.50
3020873	165ANA048-B	CSPH*4812A**	313*AV060135	47000	12.20	14.50
909117	165ANA048-B	CSPH*4812A**	315(A,J)AV048090	47000	12.00	14.00
908079	165ANA048-B	CSPH*4812A**	315(A,J)AV060110	47000	12.00	14.00
909790	165ANA048-B	CSPH*4812A**	315(A,J)AV066135	47000	12.50	14.50
908285	165ANA048-B	CSPH*4812A**	315(A,J)AV066155	47000	12.50	14.50
3120989	165ANA048-B	CSPH*4812A**	353AAV048080	47000	12.00	14.00
3120990	165ANA048-B	CSPH*4812A**	353AAV060100	47000	12.00	14.00
3120991	165ANA048-B	CSPH*4812A**	353AAV060120	47000	12.20	14.50
1390353	165ANA048-B	CSPH*4812A**	355(A,C)AV060080	46500	12.00	14.00
1390367	165ANA048-B	CSPH*4812A**	355(A,C)AV060100	46500	12.00	14.00
1390377	165ANA048-B	CSPH*4812A**	355(A,C)AV060120	46500	12.00	14.00

See notes on page 25

COMBINATION RATINGS CONTINUED

ARI Ref. No.	Model Number	Indoor Model	Furnace Model	Capacity	EER	SEER
907785	165ANA048-B	CSPH*4812A**+TDR		47500	11.70	13.50
3020874	165ANA048-B	CSPH*6012A**	313*AV048070	47500	11.70	13.50
3020875	165ANA048-B	CSPH*6012A**	313*AV048090	48000	12.20	14.50
3020876	165ANA048-B	CSPH*6012A**	313*AV060110	48000	12.50	15.00
3020877	165ANA048-B	CSPH*6012A**	313*AV060135	48000	12.20	14.50
913952	165ANA048-B	CSPH*6012A**	315(A,J)AV048090	47500	12.50	14.50
910324	165ANA048-B	CSPH*6012A**	315(A,J)AV060110	47500	12.50	14.50
912480	165ANA048-B	CSPH*6012A**	315(A,J)AV066135	47500	12.95	15.00
911990	165ANA048-B	CSPH*6012A**	315(A,J)AV066155	48000	13.00	15.00
3120992	165ANA048-B	CSPH*6012A**	353AAV048080	47000	12.00	14.00
3120993	165ANA048-B	CSPH*6012A**	353AAV060100	47000	12.20	14.50
3120994	165ANA048-B	CSPH*6012A**	353AAV060120	47000	12.20	14.50
1390355	165ANA048-B	CSPH*6012A**	355(A,C)AV060080	47500	12.50	14.50
1390369	165ANA048-B	CSPH*6012A**	355(A,C)AV060100	47500	12.50	14.50
1390379	165ANA048-B	CSPH*6012A**	355(A,C)AV060120	47500	12.50	14.50
909882	165ANA048-B	CSPH*6012A**+TDR		48000	12.00	14.00
1249658	165ANA048-B	FE4AN(B,F)005+UI		47500	12.95	15.00
1249733	165ANA048-B	FE4ANB006+UI		48000	13.00	15.50
1348240	165ANA048-B	FV4BN(B,F)005		47500	12.95	15.00
912256	165ANA048-B	FV4BNB006		48000	13.00	15.50
914130	165ANA048-B	FX4CN(B,F)048		48000	12.50	14.50
909656	165ANA048-B	FX4CN(B,F)060		48500	12.50	15.00
908935	165ANA048-B	FY4ANB060		48000	11.70	13.50
913428	165ANA048-B	FY4ANF048		47500	11.70	13.50
911774	165ANA060-B	†CAP**6024A**+TDR		58500	11.85	14.00
908215	165ANA060-B	CAP**6021A**	315(A,J)AV060110	58500	12.00	14.20
910506	165ANA060-B	CAP**6021A**	315(A,J)AV066135	58500	12.20	14.50
907421	165ANA060-B	CAP**6021A**	315(A,J)AV066155	58500	12.20	14.50
3120995	165ANA060-B	CAP**6021A**	353AAV060100	57500	12.00	14.00
909222	165ANA060-B	CAP**6021A**+TDR		58500	11.85	14.00
914376	165ANA060-B	CAP**6024A**	315(A,J)AV060110	58500	11.95	14.20
912672	165ANA060-B	CAP**6024A**	315(A,J)AV066135	58500	12.00	14.20
3120996	165ANA060-B	CAP**6024A**	353AAV060120	58000	12.00	14.00
913444	165ANA060-B	CNPH*6024A**	315(A,J)AV060110	58500	12.00	14.20
907971	165ANA060-B	CNPH*6024A**	315(A,J)AV066135	58500	12.00	14.20
913712	165ANA060-B	CNPH*6024A**	315(A,J)AV066155	58500	12.20	14.50
3120998	165ANA060-B	CNPH*6024A**	353AAV048080	57000	11.70	13.50
3120999	165ANA060-B	CNPH*6024A**	353AAV060100	57500	12.00	14.00
3121000	165ANA060-B	CNPH*6024A**	353AAV060120	58000	12.00	14.00
908007	165ANA060-B	CNPH*6024A**+TDR		58500	11.85	14.00
908251	165ANA060-B	CNPV*6024A**	315(A,J)AV066135	58500	12.00	14.20
912248	165ANA060-B	CNPV*6024A**	315(A,J)AV066155	58500	12.20	14.50
3120997	165ANA060-B	CNPV*6024A**	353AAV060120	58000	12.00	14.00
1158804	165ANA060-B	CNPV*6024A**	368RAN060120	57500	11.50	14.00
909099	165ANA060-B	CNPV*6024A**+TDR		58500	11.85	14.00
907595	165ANA060-B	CSPH*6012A**	315(A,J)AV060110	58500	12.00	14.20
911022	165ANA060-B	CSPH*6012A**	315(A,J)AV066135	58500	12.20	14.50
910982	165ANA060-B	CSPH*6012A**	315(A,J)AV066155	58500	12.20	14.50
3121001	165ANA060-B	CSPH*6012A**	353AAV048080	57500	11.70	13.50
3121002	165ANA060-B	CSPH*6012A**	353AAV060100	58000	12.00	14.00
3121003	165ANA060-B	CSPH*6012A**	353AAV060120	58000	12.00	14.00
1390387	165ANA060-B	CSPH*6012A**	355(A,C)AV060120	58500	11.90	14.20
907965	165ANA060-B	CSPH*6012A**+TDR		58500	11.90	14.00
1249727	165ANA060-B	FE4ANB006+UI		59000	12.50	15.00
908985	165ANA060-B	FV4BNB006		59000	12.50	15.00
908649	165ANA060-B	FX4CN(B,F)060		58500	12.20	14.50
908129	165ANA060-B	FY4ANB060		59000	11.75	14.00

† Tested combination

NOTES:

1. Ratings are net values reflecting the effects of circulating fan motor heat. Supplemental electric heat is not included.
2. Tested outdoor/indoor combinations have been tested in accordance with DOE test procedures for central air conditioners. Ratings for other combinations are determined under DOE computer simulation procedures.
3. Determine actual CFM values obtainable for your system by referring to fan performance data in fan coil or furnace coil literature.
4. Do not apply with capillary tube coils as performance and reliability are significantly affected.

EER — Energy Efficiency Ratio

SEER — Seasonal Energy Efficiency Ratio

TDR — Time-Delay Relay. In most cases, only 1 method should be used to achieve TDR function. Using more than 1 method in a system may cause degradation in performance. Use either the accessory Time-Delay Relay KAATD0101TDR or a furnace equipped with TDR. Most Bryant furnaces are equipped with TDR.

TXV — Thermostatic Expansion Valve

DETAILED COOLING CAPACITIES#

EVAPORATOR AIR		CONDENSER ENTERING AIR TEMPERATURES ° F (° C)																	
		75 (23.9)		85 (29.4)		95 (35)		105 (40.6)		115 (46.1)		125 (51.7)							
CFM	EWB ° F (° C)	Capacity MBTuh		Total Sys. KW**	Capacity MBTuh		Total Sys. KW**	Capacity MBTuh		Total Sys. KW**	Capacity MBTuh		Total Sys. KW**						
		Total	Sens†		Total	Sens†		Total	Sens†		Total	Sens†							
525	72 (22.2)	21.97	11.42	1.21	20.98	11.03	1.35	19.92	10.63	1.51	18.80	10.21	1.69	17.62	9.77	1.88	16.32	9.30	2.09
	67 (19.4)	20.07	13.93	1.21	19.15	13.54	1.36	18.17	13.13	1.52	17.13	12.70	1.69	16.04	12.25	1.88	14.83	11.77	2.09
	62 (16.7)	18.33	16.43	1.22	17.48	16.03	1.36	16.59	15.61	1.52	15.65	15.16	1.69	14.68	14.68	1.88	13.78	13.78	2.09
	57 (13.9)	17.64	17.64	1.22	16.97	16.97	1.36	16.26	16.26	1.52	15.50	15.50	1.69	14.68	14.68	1.88	13.78	13.78	2.09
	52 (22.2)	22.39	11.99	1.23	21.35	11.60	1.38	20.25	11.79	1.54	19.09	10.76	1.71	17.86	10.32	1.90	16.51	9.84	2.11
600	67 (19.4)	20.48	14.85	1.24	19.52	14.45	1.38	18.50	14.04	1.54	17.42	13.60	1.72	16.28	13.14	1.91	15.04	12.65	2.11
	62 (16.7)	18.78	17.69	1.24	17.90	17.28	1.39	17.00	16.83	1.54	16.14	16.14	1.72	15.27	15.27	1.91	14.30	14.30	2.12
	57 (13.9)	18.44	18.44	1.24	17.72	17.72	1.39	16.96	16.96	1.54	16.14	16.14	1.72	15.27	15.27	1.91	14.30	14.30	2.12
	52 (22.2)	22.70	12.53	1.26	21.62	12.13	1.40	20.48	11.72	1.56	19.28	11.29	1.74	18.03	10.84	1.93	16.64	10.36	2.14
	67 (19.4)	20.78	15.73	1.26	19.79	15.33	1.41	18.74	14.91	1.57	17.63	14.46	1.74	16.46	14.46	1.93	15.18	13.50	2.14
675	62 (16.7)	19.17	18.88	1.27	18.35	18.33	1.41	17.53	17.53	1.57	16.67	16.67	1.74	15.75	15.75	1.94	14.72	14.72	2.14
	57 (13.9)	19.10	19.10	1.27	18.34	18.34	1.41	17.53	17.53	1.57	16.67	16.67	1.74	15.75	15.75	1.94	14.72	14.72	2.14

165ANA018 - B Outdoor Section With CAP**2414A** Indoor Section

COOLING INDOOR MODEL	CAPACITY	POWER	FURNACE MODEL	COOLING INDOOR MODEL	CAPACITY	POWER	FURNACE MODEL
CAP**3017A**	1.00	1.00	315(A)JAV036070	CAP**3017A**	1.00	0.91	355AAV042080
CAP**1814A**	0.98	0.99	315(A)JAV036070	CNPH*2417A**	0.99	0.91	355AAV042080
CAP**2414A**	1.00	1.00	315(A)JAV036070	CNPH*3017A**	1.00	0.91	355AAV042080
CAP**3014A**	0.99	0.97	315(A)JAV048090	CNPV*3017A**	1.00	0.91	355AAV042080
CAP**3017A**	0.99	0.96	315(A)JAV048090	CSPH*2412A**	1.00	0.91	355AAV042080
CNPF*2416A**	1.00	1.00	315(A)JAV048090	CSPH*3012A**	1.01	0.91	355AAV042080
CNPH*2417A**	1.00	1.00	315(A)JAV048090	CAP**1814A**	0.98	0.91	313*AV024045
CNPH*1814A**	1.01	0.99	315(A)JAV048090	CAP**2414A**	0.98	0.89	313*AV024045
CNPH*2417A**	0.99	0.99	315(A)JAV048090	CNPH*2417A**	0.98	0.89	313*AV024045
CNPV*2414A**	1.00	1.00	315(A)JAV048090	CNPV*1814A**	0.98	0.91	313*AV024045
CNPV*2417A**	1.00	1.00	315(A)JAV048090	CNPV*2414A**	0.98	0.89	313*AV024045
CNPV*3014A**	0.99	0.98	315(A)JAV048090	CSPH*2412A**	0.98	0.89	313*AV024045
CNPV*3017A**	0.99	0.98	315(A)JAV048090	CNPV*1814A**	1.01	0.93	368RAN036105
CSPH*2412A**	1.01	0.99	353AAV036040	CNPV*2414A**	1.02	0.92	366RAN036105
CSPH*3012A**	1.00	0.98	353AAV036040	CNPV*1814A**	0.99	0.91	374RAN036105
FE4ANF02	0.95	0.95	353AAV036040	CNPV*2414A**	0.99	0.92	374RAN036105
FF1DNA018	0.98	0.99	353AAV036060	CNPV*2417A**	0.99	0.92	374RAN036105
FF1DNA024	0.98	1.03	353AAV036060				
FF1DNA030	0.99	1.00					
FF1ENF018	0.98	0.99					
FF1ENF024	1.00	1.00					
FF1ENF030	0.99	1.02					
FV4BNF002	1.01	0.89					
FV4BNF018	0.98	1.00					
FV4BNF030	1.00	0.96					
FV4CNF018	1.01	0.93					
FV4CNF024	1.01	0.93					
FV4CNF030	1.01	0.97					
FV4NF018	0.98	1.00					
FV4NF024	0.99	1.00					
FV4NF030	1.00	0.98					
CAP**1814A**	0.97	0.90	315(A)JAV036070				
CAP**2414A**	0.99	0.91	315(A)JAV036070				
CAP**3014A**	0.99	0.90	315(A)JAV036070				
CAP**3017A**	0.99	0.91	315(A)JAV036070				
CNPH*2417A**	0.99	0.91	315(A)JAV036070				
CNPH*3017A**	0.99	0.91	315(A)JAV036070				
CNPV*3017A**	0.98	0.90	315(A)JAV036070				
CNPV*1814A**	0.99	0.91	315(A)JAV036070				
CNPV*2414A**	0.99	0.90	315(A)JAV036070				

See notes on pg. 37

DETAILED COOLING CAPACITIES# CONTINUED

165AN024 - B Outdoor Section With CAP**3014A** Indoor Section

COOLING INDOOR MODEL	CAPACITY	POWER	FURNACE MODEL
CSPH*3012A**	1.00	0.92	355AAV060120
CSPH*3612A**	1.01	0.93	355AAV060120
CAP**2414A**	0.99	0.95	313*AV024045
CAP**3014A**	1.01	0.93	313*AV024045
CNPH*2417A**	0.99	0.95	313*AV024045
CNPH*3017A**	1.00	0.92	313*AV024045
CNPV*2414A**	0.99	0.95	313*AV024045
CNPV*3014A**	1.00	0.92	313*AV024045
CSPH*2412A**	0.99	0.95	313*AV024045
CSPH*3012A**	1.01	0.93	313*AV024045
CNPV*2417A**	0.99	0.92	368RAN036105
CNPV*3017A**	0.97	0.90	368RAN036105
CNPH*2414A**	0.97	0.90	368RAN036105
CNPH*3014A**	0.98	0.94	374RAN036105
CNPV*2417A**	0.98	0.94	374RAN036105
CNPV*3017A**	0.99	0.92	374RAN036105
CNPV*3017A**	1.00	0.92	374RAN036105

See notes on pg. 37

COOLING INDOOR MODEL	CAPACITY	POWER	FURNACE MODEL
CAP**3621A**	1.00	0.92	355AAV042040
CNPH*2417A**	0.98	0.90	355AAV042040
CNPH*3017A**	1.00	0.92	355AAV042040
CNPH*3617A**	1.00	0.92	355AAV042040
CNPV*3621A**	1.00	0.92	355AAV042040
CSPH*2412A**	1.00	0.92	355AAV042040
CSPH*3012A**	1.00	0.92	355AAV042040
CSPH*3612A**	1.01	0.93	355AAV042060
CAP**2417A**	0.98	0.90	355AAV042060
CAP**3017A**	1.00	0.92	355AAV042060
CAP**3614A**	1.00	0.92	355AAV042060
CAP**3617A**	1.00	0.92	355AAV042060
CAP**3621A**	1.00	0.92	355AAV042060
CNPH*2417A**	0.98	0.90	355AAV042060
CNPH*3017A**	1.00	0.92	355AAV042060
CNPH*3617A**	1.00	0.92	355AAV042060
CNPV*2417A**	0.98	0.90	355AAV042060
CNPV*3017A**	1.00	0.92	355AAV042060
CNPV*3617A**	1.00	0.92	355AAV042060
CNPV*3621A**	1.00	0.92	355AAV042060
CSPH*2412A**	1.00	0.92	355AAV042060
CSPH*3012A**	1.00	0.92	355AAV042060
CSPH*3612A**	1.01	0.93	355AAV042060
CAP**3617A**	1.00	0.92	355AAV042080
CAP**3621A**	1.00	0.92	355AAV042080
CNPH*2417A**	0.98	0.90	355AAV042080
CNPH*3017A**	1.00	0.92	355AAV042080
CNPH*3617A**	1.00	0.92	355AAV042080
CNPV*3617A**	1.00	0.92	355AAV042080
CNPV*3621A**	1.00	0.92	355AAV042080
CSPH*2412A**	1.00	0.92	355AAV042080
CSPH*3012A**	1.00	0.92	355AAV042080
CSPH*3612A**	1.01	0.93	355AAV042080
CAP**3617A**	1.00	0.92	355AAV060080
CAP**3621A**	1.00	0.92	355AAV060080
CNPH*2417A**	0.98	0.90	355AAV060080
CNPH*3017A**	1.00	0.92	355AAV060080
CNPH*3617A**	1.00	0.92	355AAV060080
CNPV*3617A**	1.00	0.92	355AAV060080
CNPV*3621A**	1.00	0.92	355AAV060080
CSPH*2412A**	1.00	0.92	355AAV060080
CSPH*3012A**	1.00	0.92	355AAV060080
CSPH*3612A**	1.01	0.93	355AAV060080
CAP**3617A**	1.00	0.92	355AAV060100
CAP**3621A**	1.00	0.92	355AAV060100
CNPH*2417A**	0.99	0.91	355AAV060100
CNPH*3017A**	1.00	0.92	355AAV060100
CNPH*3617A**	1.00	0.92	355AAV060100
CNPV*3617A**	1.00	0.92	355AAV060100
CNPV*3621A**	1.00	0.92	355AAV060100
CSPH*2412A**	1.00	0.92	355AAV060100
CSPH*3012A**	1.00	0.92	355AAV060100
CSPH*3612A**	1.02	0.94	355AAV060100
CAP**3621A**	1.00	0.92	355AAV060120
CNPH*2417A**	0.98	0.91	355AAV060120
CNPH*3017A**	0.99	0.91	355AAV060120
CNPH*3617A**	0.99	0.91	355AAV060120
CNPV*3621A**	1.00	0.92	355AAV060120
CSPH*2412A**	0.99	0.91	355AAV060120

DETAILED COOLING CAPACITIES# CONTINUED

165AN030-B Outdoor Section With CAP**3617A** Indoor Section

COOLING INDOOR MODEL	CAPACITY	POWER	FURNACE MODEL
CAP**4224A**	1.01	0.93	355AAV060120
CNPV*3017A**	1.00	0.92	355AAV060120
CSPH*3617A**	1.00	0.92	355AAV060120
CNPV*3617A**	1.01	0.94	355AAV060120
CNPV*4221A**	1.01	0.94	355AAV060120
CNPV*3017A**	1.01	0.93	355AAV060120
CSPH*3612A**	1.02	0.94	355AAV060120
CSPH*4212A**	1.02	0.94	355AAV060120
CAP**3017A**	1.01	0.97	313*AV048070
CNPV*3617A**	1.01	0.97	313*AV048070
CNPV*3017A**	1.01	0.97	313*AV048070
CSPH*3012A**	1.01	0.97	313*AV048070
CAP**3621A**	1.03	0.95	313*AV048090
CNPV*3017A**	1.01	0.94	313*AV048090
CNPV*3617A**	1.01	0.94	313*AV048090
CNPV*3621A**	1.02	0.94	313*AV048090
CSPH*3012A**	1.01	0.94	313*AV048090
CSPH*3612A**	1.03	0.95	313*AV048090
CNPV*3014A**	1.01	0.97	368RAN036105
CNPV*3017A**	1.01	0.93	368RAN036105
CNPV*3617A**	1.01	0.93	368RAN036105
CNPV*3621A**	1.01	0.93	368RAN036105
CNPV*3014A**	0.99	0.95	374RAN036105
CNPV*3017A**	0.99	0.92	374RAN036105
CNPV*3617A**	0.99	0.92	374RAN036105
CNPV*3621A**	0.99	0.92	374RAN036105

See notes on pg. 37

COOLING INDOOR MODEL	CAPACITY	POWER	FURNACE MODEL
CNPV*3617A**	1.03	0.99	353AAV048080
CSPH*3012A**	1.03	0.99	353AAV048080
CSPH*3612A**	1.00	0.99	353AAV048080
CAP**4221A**	1.01	0.93	355AAV042040
CAP**4224A**	1.01	0.93	355AAV042040
CNPV*3017A**	1.00	0.93	355AAV042040
CNPV*3617A**	1.00	0.93	355AAV042040
CNPV*4221A**	1.01	0.94	355AAV042040
CNPV*4224A**	1.01	0.94	355AAV042040
CSPH*3012A**	1.01	0.94	355AAV042040
CSPH*3612A**	1.02	0.94	355AAV042040
CSPH*4212A**	1.02	0.94	355AAV042040
CAP**3017A**	1.00	0.92	355AAV042060
CAP**3617A**	1.00	0.92	355AAV042060
CAP**4221A**	1.01	0.93	355AAV042060
CNPV*3017A**	1.00	0.93	355AAV042060
CNPV*3617A**	1.00	0.93	355AAV042060
CNPV*4221A**	1.01	0.94	355AAV042060
CNPV*4224A**	1.01	0.94	355AAV042060
CSPH*3012A**	1.01	0.94	355AAV042060
CSPH*3612A**	1.02	0.94	355AAV042060
CSPH*4212A**	1.03	0.95	355AAV042060
CAP**3621A**	1.01	0.93	355AAV060080
CAP**4221A**	1.01	0.93	355AAV060080
CAP**4224A**	1.01	0.93	355AAV060080
CNPV*3017A**	1.00	0.93	355AAV060080
CNPV*3617A**	1.00	0.93	355AAV060080
CNPV*4221A**	1.01	0.94	355AAV060080
CNPV*4224A**	1.01	0.94	355AAV060080
CSPH*3012A**	1.01	0.94	355AAV060080
CSPH*3612A**	1.02	0.94	355AAV060080
CSPH*4212A**	1.03	0.95	355AAV060080
CAP**3621A**	1.01	0.93	355AAV060080
CAP**4221A**	1.01	0.93	355AAV060080
CAP**4224A**	1.01	0.93	355AAV060080
CNPV*3017A**	1.00	0.93	355AAV060080
CNPV*3617A**	1.00	0.93	355AAV060080
CNPV*4221A**	1.01	0.94	355AAV060080
CNPV*4224A**	1.01	0.94	355AAV060080
CSPH*3012A**	1.01	0.94	355AAV060080
CSPH*3612A**	1.02	0.94	355AAV060080
CSPH*4212A**	1.03	0.95	355AAV060080
CAP**3621A**	1.01	0.93	355AAV060100
CAP**4221A**	1.01	0.93	355AAV060100
CAP**4224A**	1.01	0.93	355AAV060100
CNPV*3017A**	1.00	0.93	355AAV060100
CNPV*3617A**	1.00	0.93	355AAV060100
CNPV*4221A**	1.01	0.94	355AAV060100
CNPV*4224A**	1.01	0.94	355AAV060100
CSPH*3012A**	1.01	0.94	355AAV060100
CSPH*3612A**	1.02	0.94	355AAV060100
CSPH*4212A**	1.03	0.95	355AAV060100
CAP**3621A**	1.01	0.93	355AAV060120
CAP**4221A**	1.01	0.93	355AAV060120
CAP**4224A**	1.01	0.93	355AAV060120
CNPV*3017A**	1.00	0.93	355AAV060120
CNPV*3617A**	1.00	0.93	355AAV060120
CNPV*4221A**	1.01	0.94	355AAV060120
CNPV*4224A**	1.01	0.94	355AAV060120
CSPH*3012A**	1.01	0.94	355AAV060120
CSPH*3612A**	1.02	0.94	355AAV060120
CSPH*4212A**	1.03	0.95	355AAV060120

DETAILED COOLING CAPACITIES# CONTINUED

165AN/A042 - B Outdoor Section With CAP**4821A** Indoor Section

COOLING INDOOR MODEL	CAPACITY	POWER	FURNACE MODEL
CNPH*4821A**	0.99	0.94	353AAV060120
CNPH*4824A**	0.99	0.94	353AAV060120
CSPH*4212A**	0.99	0.94	353AAV060120
CSPH*4812A**	0.99	0.94	353AAV060120
CNPH*4217A**	0.99	0.96	355(A,C)AV042060
CNPH*4824A**	0.99	0.96	355(A,C)AV060100
CAP**4224A**	0.96	0.93	355AAV042040
CAP**4824A**	0.99	0.94	355AAV042040
CAP**6021A**	1.00	0.93	355AAV042040
CAP**6024A**	1.00	0.94	355AAV042040
CNPH*4221A**	0.98	0.93	355AAV042040
CNPH*4821A**	0.99	0.94	355AAV042040
CNPH*6024A**	1.00	0.94	355AAV042040
CNPH*4824A**	0.99	0.94	355AAV042040
CNPH*6024A**	1.00	0.94	355AAV042040
CSPH*4212A**	0.99	0.94	355AAV042040
CSPH*4812A**	0.99	0.94	355AAV042040
CSPH*6012A**	1.00	0.94	355AAV042040
CAP**4817A**	0.99	0.93	355AAV042060
CAP**6021A**	1.00	0.93	355AAV042060
CNPH*4221A**	0.98	0.92	355AAV042060
CNPH*4821A**	0.99	0.93	355AAV042060
CNPH*6024A**	1.00	0.93	355AAV042060
CSPH*4212A**	0.99	0.94	355AAV042060
CSPH*4812A**	1.01	0.94	355AAV042060
CAP**4221A**	0.96	0.94	355AAV042080
CAP**4821A**	0.99	0.95	355AAV042080
CAP**6021A**	1.00	0.94	355AAV042080
CAP**6024A**	1.00	0.94	355AAV042080
CNPH*4221A**	0.98	0.93	355AAV042080
CNPH*4821A**	0.99	0.94	355AAV042080
CNPH*6024A**	1.00	0.94	355AAV042080
CSPH*4212A**	0.99	0.95	355AAV042080
CSPH*4812A**	0.99	0.94	355AAV042080
CSPH*6012A**	1.00	0.94	355AAV042080
CAP**4221A**	0.98	0.94	355AAV060080
CAP**4821A**	1.00	0.94	355AAV060080
CAP**6021A**	1.00	0.93	355AAV060080
CAP**6024A**	1.00	0.93	355AAV060080
CNPH*4221A**	0.98	0.93	355AAV060080
CNPH*4821A**	0.99	0.93	355AAV060080
CNPH*6024A**	1.00	0.93	355AAV060080
CSPH*4212A**	0.98	0.93	355AAV060080
CSPH*4812A**	0.98	0.93	355AAV060080
CSPH*6012A**	1.00	0.93	355AAV060080
CAP**4221A**	0.98	0.93	355AAV060100
CAP**4821A**	0.99	0.93	355AAV060100
CAP**6021A**	1.01	0.93	355AAV060100
CAP**6024A**	1.01	0.94	355AAV060100
CNPH*4221A**	0.98	0.91	355AAV060100
CNPH*4821A**	0.99	0.93	355AAV060100
CNPH*6024A**	1.01	0.93	355AAV060100
CNPH*4221A**	0.99	0.93	355AAV060120
CNPH*4821A**	0.99	0.93	355AAV060120
CNPH*6024A**	1.01	0.93	355AAV060120
CNPH*4221A**	0.99	0.93	355AAV060135
CNPH*4821A**	0.99	0.93	355AAV060135
CNPH*6024A**	1.00	0.93	355AAV060135
CNPH*4221A**	1.00	0.95	313*AV060110
CNPH*4821A**	1.00	0.95	313*AV060110
CNPH*6024A**	1.00	0.95	313*AV060110
CSPH*4212A**	1.00	0.95	313*AV060110
CSPH*4812A**	1.00	0.95	313*AV060110
CSPH*6012A**	1.00	0.95	313*AV060110
CAP**4221A**	0.98	0.93	313*AV048070
CAP**4821A**	0.99	0.93	313*AV048070
CAP**6021A**	1.00	0.92	313*AV048070
CNPH*4221A**	0.98	0.91	313*AV048070
CNPH*4821A**	0.99	0.92	313*AV048070
CNPH*6024A**	1.00	0.92	313*AV048070
CNPH*4824A**	0.99	0.92	313*AV048090
CNPH*6024A**	1.00	0.92	313*AV048090
CSPH*4212A**	0.99	0.93	313*AV048090
CSPH*4812A**	1.00	0.93	313*AV048090
CSPH*6012A**	1.01	0.93	313*AV048090
CAP**4817A**	0.99	0.98	313*AV048070
CNPH*4221A**	0.98	0.99	313*AV048070
CNPH*4821A**	1.00	0.99	313*AV048070
CNPH*6024A**	1.00	0.99	313*AV048070
CSPH*4212A**	0.98	0.97	313*AV048070
CSPH*4812A**	1.00	0.99	313*AV048070
CSPH*6012A**	1.00	0.99	313*AV048070
CAP**4221A**	0.98	0.95	313*AV048090
CAP**4821A**	1.00	0.95	313*AV048090
CAP**6021A**	1.00	0.95	313*AV048090
CNPH*4221A**	0.98	0.95	313*AV048090
CNPH*4821A**	1.00	0.95	313*AV048090
CNPH*6024A**	1.00	0.95	313*AV048090
CSPH*4212A**	0.98	0.95	313*AV048090
CSPH*4812A**	1.00	0.95	313*AV048090
CSPH*6012A**	1.00	0.95	313*AV048090
CAP**4221A**	0.98	0.95	313*AV060110
CAP**4821A**	1.00	0.95	313*AV060110
CAP**6021A**	1.00	0.95	313*AV060110
CNPH*4221A**	0.98	0.93	313*AV060110
CNPH*4821A**	1.00	0.93	313*AV060110
CNPH*6024A**	1.00	0.93	313*AV060110
CSPH*4212A**	0.98	0.93	313*AV060110
CSPH*4812A**	1.00	0.93	313*AV060110
CSPH*6012A**	1.00	0.93	313*AV060110
CAP**4224A**	0.99	0.94	313*AV060135
CAP**4824A**	1.00	0.95	313*AV060135
CAP**6021A**	1.00	0.95	313*AV060135
CNPH*4221A**	1.00	0.95	313*AV060135
CNPH*4821A**	1.00	0.95	313*AV060135
CNPH*6024A**	1.00	0.95	313*AV060135
CNPH*4212A**	0.98	0.93	313*AV060135
CNPH*4812A**	1.00	0.95	313*AV060135
CNPH*6012A**	1.00	0.95	313*AV060135
CNPH*4221A**	0.98	0.97	368RAN060120
CNPH*4821A**	0.99	0.98	368RAN060120
CNPH*6024A**	1.00	0.98	368RAN060120
CNPH*4221A**	0.98	0.96	368RAN060120
CNPH*4821A**	0.98	0.97	374RAN060120
CNPH*6012A**	0.99	0.98	374RAN060120
CNPH*4824A**	0.99	0.98	374RAN060120

See notes on pg. 37

DETAILED COOLING CAPACITIES# CONTINUED

165AN/A04E – B Outdoor Section With CAP**6024A** Indoor Section

COOLING INDOOR MODEL	CAPACITY	POWER	FURNACE MODEL
CNPH*6024A**	1.00	0.98	313*AV060135
CNPV*4824A**	0.98	0.96	313*AV060135
CNPV*6024A**	1.00	0.98	313*AV060135
CSPH*4812A**	0.98	0.96	313*AV060135
CSPH*6012A**	1.00	0.98	313*AV060135
CNPV*4821A**	0.99	0.99	368RAN060120
CNPV*4824A**	0.99	1.03	368RAN060120
CNPV*6024A**	1.00	1.03	368RAN060120
CNPV*4821A**	0.99	1.03	374RAN060120
CNPV*4824A**	0.99	1.03	374RAN060120
CNPV*6024A**	1.00	1.04	374RAN060120

See notes on pg. 37

DETAILED COOLING CAPACITIES# CONTINUED

EVAPORATOR AIR		CONDENSER ENTERING AIR TEMPERATURES ° F (° C)																							
		75 (23.9)				85 (29.4)				95 (35)				105 (40.6)				115 (46.1)				125 (51.7)			
		CFM	EWB ° F (° C)	Capacity MBTuh		Total Sys. KW**	Capacity MBTuh		Total Sys. KW**	Capacity MBTuh		Total Sys. KW**	Capacity MBTuh		Total Sys. KW**	Capacity MBTuh		Total Sys. KW**	Capacity MBTuh		Total Sys. KW**				
Total	Sens†			Total	Sens†		Total	Sens†		Total	Sens†		Total	Sens†		Total	Sens†		Total	Sens†					
165ANA060-B Outdoor Section With CAP**6024A** Indoor Section																									
	72 (22.2)	71.24	37.12	4.00	68.02	35.88	4.40	64.60	34.58	4.85	60.97	33.21	5.34	57.00	31.74	5.88	52.58	30.13	6.45						
1700	67 (19.4)	65.05	45.36	3.93	62.11	44.11	4.34	59.00	42.80	4.79	55.69	41.42	5.28	52.10	39.96	5.81	48.14	38.37	6.39						
	62 (16.7)	59.46	53.54	3.88	56.82	52.28	4.29	54.05	50.95	4.73	51.13	49.53	5.23	48.05	47.98	5.76	45.09	45.09	6.35						
	57 (13.9)	57.44	57.44	3.86	55.34	55.34	4.27	53.10	53.10	4.72	50.70	50.70	5.22	48.06	48.06	5.76	45.10	45.10	6.35						
1900	72 (22.2)	72.35	38.59	4.08	68.99	37.32	4.49	65.44	35.99	4.94	61.66	34.60	5.43	57.56	33.11	5.96	53.00	31.48	6.53						
	67 (19.4)	66.10	47.70	4.02	63.03	46.42	4.43	59.80	45.09	4.87	56.37	43.70	5.36	52.66	42.22	5.90	48.57	40.59	6.47						
	62 (16.7)	60.59	56.75	3.97	57.87	55.43	4.37	55.06	54.00	4.82	52.25	52.25	5.31	49.45	49.45	5.86	46.30	46.30	6.44						
2100	72 (22.2)	73.20	39.97	4.17	69.73	38.68	4.57	66.07	37.34	5.02	62.19	35.93	5.51	57.98	34.42	6.04	53.29	32.77	6.61						
	67 (19.4)	66.90	49.94	4.10	63.74	48.64	4.51	60.40	47.30	4.95	56.88	45.89	5.45	53.08	44.38	5.98	48.90	42.71	6.55						
	62 (16.7)	61.58	59.74	4.05	58.87	58.28	4.46	56.26	56.26	4.91	53.56	53.56	5.41	50.61	50.61	5.95	47.28	47.28	6.53						
57 (13.9)	61.12	61.12	4.05	58.77	58.77	4.46	56.26	56.26	4.91	53.57	53.57	5.41	50.61	50.61	5.95	47.28	47.28	6.53							

COOLING INDOOR MODEL	CAPACITY	POWER	FURNACE MODEL	COOLING INDOOR MODEL			FURNACE MODEL		
				INDOOR MODEL	CAPACITY	POWER	FURNACE MODEL	CAPACITY	POWER
*CAP**6024A**	1.00	1.00		CSPH*6012A**	1.00	0.99	315(A)JAV060110	1.00	0.98
CAP**6021A**	1.00	1.00		CAP**6024A**	1.00	0.97	315(A)JAV066135	1.00	0.98
CNPH*6024A**	1.00	1.00		CAP**6024A**	1.00	0.99	315(A)JAV066135	1.00	0.98
CNPH*6024A**	1.00	1.00		CNPH*6024A**	1.00	0.99	315(A)JAV066135	1.00	0.98
CSPH*6012A**	1.00	1.00		CNPV*6024A**	1.00	0.99	315(A)JAV066135	1.00	0.97
FB4BNB070	1.01	1.02		CSPH*6012A**	1.00	0.97	315(A)JAV066135	1.00	0.98
FE4ANB006	1.01	0.96		CAP**6021A**	1.00	0.97	315(A)JAV066155	1.00	0.98
FV4BNB006	1.01	0.96		CNPH*6024A**	1.00	0.97	315(A)JAV066155	1.00	0.96
FX4BNB060	1.01	1.02		CNPV*6024A**	1.00	0.97	315(A)JAV066155	1.00	0.99
FX4GN(B)F060	1.00	0.95		CSPH*6012A**	1.00	0.97	315(A)JAV066155	1.00	0.97
FY4ANB060	1.01	1.02		CNPH*6024A**	0.97	0.99	353AAV048080	0.98	0.98
CAP**6021A**	1.00	0.99	315(A)JAV060110	CSPH*6012A**	0.98	1.00	353AAV048080	0.98	0.98
CAP**6024A**	1.00	0.99	315(A)JAV060110	CAP**6021A**	0.98	0.97	353AAV060100	0.98	0.98
CNPH*6024A**	1.00	0.99	315(A)JAV060110	CNPH*6024A**	0.98	0.97	353AAV060100	0.98	0.98
CNPV*6024A**	1.00	0.99	315(A)JAV060110	CSPH*6012A**	0.99	0.98	353AAV060100	0.98	0.98
CNPV*6024A**	0.99	0.98	315(A)JAV060110	CAP**6024A**	0.99	0.98	353AAV060120	0.98	1.01

† Total and sensible capacities are net capacities. Blower motor heat has been subtracted.
 ‡ Sensible capacities shown are based on 80°F (27°C) entering air at the indoor coil. For sensible capacities at other than 80°F (27°C), deduct 835 Btuh (245 kW) per 1000 CFM (480 L/S) of indoor coil air for each degree below 80°F (27°C), or add 835 Btuh (245 kW) per 1000 CFM (480 L/S) of indoor coil air per degree above 80°F (27°C).
 # Detailed cooling capacities are based on indoor and outdoor unit at the same elevation per ARI standard 210/240-94. If additional tubing length and/or indoor unit is located above outdoor unit, a slight variation in capacity may occur.
 ** System kw is total of indoor and outdoor unit kilowatts.
 EWB — Entering Wet Bulb
 NOTE: When the required data fall between the published data, interpolation may be performed. Extrapolation is not an acceptable practice.

CONDENSER ONLY RATINGS*

SST °F (°C)		CONDENSER ENTERING AIR TEMPERATURES °F (°C)							
		55 (12.78)	65 (18.33)	75 (23.89)	85 (29.44)	95 (35.0)	105 (40.56)	115 (46.11)	125 (51.67)
165ANA018-B									
30 (-1.11)	TCG	16.50	15.50	14.60	13.60	12.60	11.60	10.50	9.40
	SDT	65.80	75.30	84.80	94.40	103.90	113.40	122.90	132.40
	KW	0.80	0.91	1.04	1.18	1.34	1.50	1.68	1.87
35 (1.67)	TCG	18.20	17.10	16.10	15.10	14.00	12.90	11.70	10.50
	SDT	66.80	76.20	85.70	95.20	104.70	114.10	123.60	133.10
	KW	0.80	0.91	1.04	1.18	1.33	1.50	1.69	1.88
40 (4.44)	TCG	20.00	18.90	17.70	16.60	15.50	14.30	13.00	11.70
	SDT	67.80	77.20	86.60	96.10	105.50	114.90	124.40	133.80
	KW	0.79	0.91	1.03	1.18	1.33	1.50	1.69	1.89
45 (7.22)	TCG	21.90	20.70	19.50	18.30	17.00	15.70	14.40	13.00
	SDT	68.80	78.20	87.60	97.00	106.40	115.80	125.10	134.50
	KW	0.79	0.90	1.03	1.17	1.33	1.50	1.69	1.89
50 (10.0)	TCG	23.90	22.60	21.30	20.00	18.70	17.30	15.80	14.30
	SDT	70.00	79.30	88.70	98.00	107.30	116.60	125.90	135.20
	KW	0.78	0.90	1.03	1.17	1.33	1.50	1.69	1.89
55 (12.78)	TCG	26.10	24.70	23.30	21.80	20.30	18.80	17.30	15.70
	SDT	71.10	80.40	89.80	99.00	108.30	117.50	126.70	135.90
	KW	0.78	0.89	1.02	1.17	1.33	1.50	1.69	1.89
165ANA024-B									
30 (-1.11)	TCG	21.30	20.10	18.90	17.70	16.50	15.20	13.90	12.60
	SDT	68.90	78.20	87.60	97.00	106.40	115.90	125.30	134.80
	KW	0.99	1.13	1.30	1.48	1.68	1.90	2.14	2.40
35 (1.67)	TCG	23.50	22.20	20.90	19.60	18.20	16.90	15.50	14.00
	SDT	70.10	79.40	88.70	98.10	107.40	116.80	126.20	135.50
	KW	0.99	1.14	1.30	1.48	1.68	1.91	2.15	2.41
40 (4.44)	TCG	25.80	24.40	23.00	21.60	20.10	18.60	17.10	15.50
	SDT	71.40	80.60	89.90	99.20	108.50	117.80	127.10	136.30
	KW	1.00	1.14	1.31	1.49	1.69	1.91	2.16	2.42
45 (7.22)	TCG	28.20	26.70	25.20	23.60	22.10	20.40	18.80	17.10
	SDT	72.80	81.90	91.10	100.30	109.60	118.80	128.00	137.10
	KW	1.00	1.15	1.31	1.50	1.70	1.92	2.16	2.43
50 (10.0)	TCG	30.80	29.10	27.50	25.80	24.10	22.30	20.50	18.60
	SDT	74.20	83.30	92.40	101.60	110.70	119.80	128.90	138.00
	KW	1.01	1.15	1.32	1.50	1.70	1.93	2.17	2.44
55 (12.78)	TCG	33.50	31.70	29.80	28.00	26.10	24.20	22.30	20.20
	SDT	75.70	84.80	93.80	102.80	111.80	120.90	129.90	138.80
	KW	1.01	1.16	1.33	1.51	1.71	1.93	2.18	2.44
165ANA030-B									
30 (-1.11)	TCG	26.40	25.00	23.50	22.10	20.50	19.00	17.30	15.50
	SDT	68.50	77.80	87.20	96.60	106.00	115.40	124.80	134.20
	KW	1.31	1.49	1.69	1.91	2.15	2.42	2.70	2.99
35 (1.67)	TCG	29.00	27.50	26.00	24.40	22.80	21.10	19.30	17.40
	SDT	69.70	79.00	88.40	97.70	107.10	116.40	125.70	135.10
	KW	1.32	1.50	1.70	1.92	2.16	2.43	2.72	3.02
40 (4.44)	TCG	31.90	30.30	28.60	26.90	25.20	23.40	21.40	19.40
	SDT	71.10	80.30	89.60	98.90	108.10	117.40	126.70	135.90
	KW	1.32	1.50	1.70	1.93	2.17	2.44	2.73	3.04
45 (7.22)	TCG	35.00	33.20	31.50	29.60	27.70	25.80	23.70	21.50
	SDT	72.50	81.70	90.90	100.10	109.30	118.50	127.70	136.90
	KW	1.33	1.51	1.71	1.94	2.18	2.45	2.75	3.06
50 (10.0)	TCG	38.30	36.40	34.50	32.50	30.50	28.30	26.10	23.80
	SDT	74.00	83.10	92.20	101.30	110.50	119.60	128.70	137.80
	KW	1.34	1.52	1.72	1.95	2.19	2.46	2.76	3.08
55 (12.78)	TCG	41.80	39.80	37.70	35.50	33.40	31.10	28.70	26.20
	SDT	75.50	84.60	93.60	102.70	111.80	120.80	129.80	138.80
	KW	1.35	1.53	1.73	1.96	2.20	2.48	2.77	3.10
165ANA036-B									
30 (-1.11)	TCG	35.70	33.80	31.80	29.80	27.70	25.50	23.20	20.80
	SDT	68.30	77.50	86.70	96.00	105.30	114.60	123.90	133.20
	KW	1.55	1.75	1.98	2.23	2.50	2.80	3.11	3.44
35 (1.67)	TCG	39.30	37.20	35.10	32.90	30.70	28.30	25.80	23.20
	SDT	69.60	78.70	87.90	97.10	106.30	115.60	124.80	134.00
	KW	1.56	1.76	1.99	2.24	2.51	2.81	3.14	3.48
40 (4.44)	TCG	43.20	40.90	38.60	36.30	33.80	31.30	28.60	25.70
	SDT	71.00	80.00	89.10	98.20	107.40	116.60	125.70	134.80
	KW	1.57	1.77	2.00	2.25	2.53	2.83	3.16	3.50
45 (7.22)	TCG	47.30	44.90	42.40	39.80	37.20	34.40	31.50	28.30
	SDT	72.50	81.40	90.40	99.40	108.50	117.60	126.70	135.70
	KW	1.58	1.78	2.01	2.26	2.54	2.85	3.18	3.53
50 (10.0)	TCG	51.70	49.00	46.30	43.60	40.70	37.70	34.50	31.10
	SDT	74.00	82.80	91.80	100.70	109.70	118.70	127.70	136.60
	KW	1.60	1.80	2.02	2.28	2.56	2.86	3.19	3.55
55 (12.78)	TCG	56.30	53.50	50.50	47.50	44.30	41.10	37.60	33.90
	SDT	75.70	84.40	93.20	102.10	111.00	119.90	128.70	137.50
	KW	1.61	1.81	2.04	2.29	2.57	2.88	3.21	3.57

165A

See notes on page 39

CONDENSER ONLY RATINGS* CONTINUED

SST °F (°C)		CONDENSER ENTERING AIR TEMPERATURES °F (°C)							
		55 (12.78)	65 (18.33)	75 (23.89)	85 (29.44)	95 (35.0)	105 (40.56)	115 (46.11)	125 (51.67)
165ANA042-B									
30 (-1.11)	TCG	41.80	39.50	37.20	34.90	32.50	30.00	27.40	24.60
	SDT	68.90	78.20	87.50	96.90	106.20	115.50	124.80	134.00
	KW	1.82	2.05	2.31	2.60	2.91	3.25	3.63	4.02
35 (1.67)	TCG	46.00	43.60	41.10	38.60	35.90	33.20	30.40	27.30
	SDT	70.30	79.50	88.70	98.00	107.30	116.50	125.70	134.90
	KW	1.86	2.09	2.35	2.63	2.95	3.30	3.67	4.07
40 (4.44)	TCG	50.50	47.90	45.20	42.40	39.60	36.60	33.50	30.10
	SDT	71.70	80.90	90.00	99.20	108.40	117.60	126.70	135.80
	KW	1.90	2.13	2.39	2.68	2.99	3.34	3.72	4.12
45 (7.22)	TCG	55.40	52.50	49.60	46.60	43.40	40.20	36.80	33.10
	SDT	73.20	82.30	91.40	100.50	109.60	118.70	127.70	136.70
	KW	1.94	2.17	2.43	2.72	3.04	3.39	3.76	4.17
50 (10.0)	TCG	60.50	57.40	54.20	50.90	47.50	43.90	40.20	36.20
	SDT	74.80	83.80	92.90	101.90	110.90	119.90	128.80	137.60
	KW	1.99	2.22	2.48	2.77	3.09	3.43	3.81	4.22
55 (12.78)	TCG	66.00	62.60	59.10	55.50	51.70	47.90	43.80	39.40
	SDT	76.60	85.40	94.40	103.30	112.20	121.10	129.90	138.60
	KW	2.04	2.27	2.53	2.82	3.14	3.49	3.86	4.27
165ANA048-B									
30 (-1.11)	TCG	49.30	46.40	43.60	40.80	37.90	35.00	32.00	28.80
	SDT	69.80	79.00	88.20	97.40	106.70	115.90	125.20	134.40
	KW	2.05	2.37	2.70	3.07	3.46	3.87	4.32	4.79
35 (1.67)	TCG	54.40	51.30	48.10	45.00	41.90	38.60	35.30	31.80
	SDT	71.30	80.30	89.50	98.60	107.80	117.00	126.10	135.30
	KW	2.04	2.36	2.70	3.07	3.47	3.89	4.35	4.83
40 (4.44)	TCG	59.90	56.40	53.00	49.60	46.10	42.50	38.80	34.90
	SDT	72.90	81.80	90.80	99.90	109.00	118.10	127.10	136.10
	KW	2.02	2.35	2.70	3.07	3.48	3.91	4.37	4.86
45 (7.22)	TCG	65.70	62.00	58.20	54.40	50.50	46.60	42.50	38.20
	SDT	74.50	83.40	92.30	101.30	110.20	119.20	128.20	137.00
	KW	2.00	2.33	2.69	3.07	3.49	3.92	4.39	4.88
50 (10.0)	TCG	72.00	67.80	63.70	59.50	55.20	50.90	46.40	41.70
	SDT	76.30	85.00	93.80	102.70	111.60	120.40	129.30	138.00
	KW	1.98	2.32	2.68	3.07	3.49	3.93	4.41	4.90
55 (12.78)	TCG	78.50	74.00	69.40	64.80	60.20	55.40	50.50	45.30
	SDT	78.20	86.80	95.50	104.20	113.00	121.70	130.40	139.00
	KW	1.96	2.30	2.67	3.07	3.49	3.94	4.42	4.92
165ANA060-B									
30 (-1.11)	TCG	58.00	54.90	51.80	48.60	45.40	42.10	38.60	34.90
	SDT	73.50	82.50	91.60	100.70	109.80	119.00	128.10	137.20
	KW	2.59	2.91	3.28	3.68	4.13	4.62	5.16	5.74
35 (1.67)	TCG	63.80	60.50	57.10	53.70	50.20	46.50	42.70	38.70
	SDT	75.20	84.10	93.10	102.20	111.20	120.30	129.30	138.30
	KW	2.63	2.96	3.33	3.73	4.18	4.68	5.22	5.80
40 (4.44)	TCG	70.10	66.40	62.80	59.00	55.20	51.20	47.10	42.60
	SDT	77.00	85.90	94.80	103.70	112.70	121.60	130.50	139.30
	KW	2.69	3.02	3.38	3.79	4.24	4.74	5.27	5.86
45 (7.22)	TCG	76.70	72.80	68.80	64.70	60.50	56.20	51.60	46.70
	SDT	79.00	87.70	96.50	105.40	114.20	123.00	131.80	140.50
	KW	2.75	3.08	3.44	3.85	4.30	4.80	5.33	5.91
50 (10.0)	TCG	83.80	79.50	75.20	70.70	66.10	61.30	56.30	50.90
	SDT	81.00	89.70	98.40	107.10	115.80	124.50	133.10	141.70
	KW	2.81	3.14	3.51	3.92	4.37	4.86	5.40	5.97
55 (12.78)	TCG	91.30	86.60	81.80	77.00	71.90	66.70	61.20	55.20
	SDT	83.20	91.70	100.30	108.90	117.50	126.00	134.50	142.90
	KW	2.88	3.21	3.58	3.99	4.44	4.93	5.46	6.03

* ARI listing applies only to systems shown in Combination Ratings table.

KW - Outdoor Unit Kilowatts Only.

SDT - Saturated Temperature Leaving Compressor (°F/°C)

SST - Saturated Temperature Entering Compressor (°F)

TCG - Gross Cooling Capacity (1000 Btuh)

165A

GUIDE SPECIFICATIONS

GENERAL

System Description

Outdoor-mounted, air-cooled, split-system air conditioner unit suitable for ground or rooftop installation. Unit consists of a hermetic compressor, an air-cooled coil, propeller-type condenser fan, and a control box. Unit will discharge supply air upward as shown on contract drawings. Unit will be used in a refrigeration circuit to match up to a packaged fan coil or coil unit.

Quality Assurance

- Unit will be rated in accordance with the latest edition of ARI Standard 210.
- Unit will be certified for capacity and efficiency, and listed in the latest ARI directory.
- Unit construction will comply with latest edition of ANSI/ASHRAE and with NEC.
- Unit will be constructed in accordance with UL standards and will carry the UL label of approval. Unit will have c-UL approval.
- Unit cabinet will be capable of withstanding Federal Test Method Standard No. 141 (Method 6061) 500-hr salt spray test.
- Air-cooled condenser coils will be leak tested and pressure tested.
- Unit constructed in ISO9001 approved facility.

Delivery, Storage, and Handling

- Unit will be shipped as single package only and is stored and handled per unit manufacturer's recommendations.

Warranty (for inclusion by specifying engineer)

- U.S. and Canada only.

PRODUCTS

Equipment

- Factory assembled, single piece, air-cooled air conditioner unit. Contained within the unit enclosure is all factory wiring, piping, controls, compressor, refrigerant charge Puron® (R-410A), and special features required prior to field start-up.

Unit Cabinet

- Unit cabinet, including louvered coil guard, will be constructed of galvanized steel, bonderized, and coated with a powder coat paint.

Fans

- Condenser fan will be direct-drive forward-swept propeller type, discharging air upward.

AIR-COOLED, SPLIT-SYSTEM AIR CONDITIONER

165A

1-1/2 TO 5 NOMINAL TONS

- Condenser fan motors will be totally enclosed, 1-phase type with class B insulation and permanently lubricated bearings. Shafts will be corrosion resistant.
- Fan blades will be statically and dynamically balanced.
- Condenser fan openings will be equipped with coated steel wire safety guards.

Compressor

- Compressor will be hermetically sealed.
- Compressor will be mounted on rubber split-post vibration isolators.
- Compressor will be covered with a sound absorbing blanket.

Condenser Coil

- Condenser coil will be air cooled.
- Coil will be constructed of aluminum fins mechanically bonded to copper tubes which are then cleaned, dehydrated, and sealed.

Refrigeration Components

- Refrigeration circuit components will include liquid-line back-seating shutoff valve with sweat connections, vapor-line back-seating shutoff valve with sweat connections, system charge of Puron® (R-410A) refrigerant, and compressor oil.
- Unit will be equipped with high-pressure switch, low pressure switch and filter drier for Puron refrigerant.

Operating Characteristics

- The capacity of the unit will meet or exceed _____ Btuh at a suction temperature of _____ °F/°C. The power consumption at full load will not exceed _____ kW.
- Combination of the unit and the evaporator or fan coil unit will have a total net cooling capacity of _____ Btuh or greater at conditions of _____ CFM entering air temperature at the evaporator at _____ °F/°C wet bulb and _____ °F/°C dry bulb, and air entering the unit at _____ °F/°C.
- The system will have a SEER of _____ Btuh/watt or greater at DOE conditions.

Electrical Requirements

- Nominal unit electrical characteristics will be _____ v, single phase, 60 hz. The unit will be capable of satisfactory operation within voltage limits of _____ v to _____ v.
- Unit electrical power will be single point connection.
- Control circuit will be 24v.

Special Features

- Refer to section of this literature identifying accessories and descriptions for specific features and available enhancements.