

**MODEL 126B
PREFERRED™ SERIES AIR CONDITIONER
WITH PURON® REFRIGERANT
1-1/2 TO 5 NOMINAL TONS**



Product Data



**Preferred™
SERIES**

Bryant Air Conditioners with Puron® refrigerant provide a collection of features unmatched by any other family of equipment. The 126B has been designed utilizing Bryant's Puron refrigerant. The environmentally sound refrigerant allows you to make a responsible decision in the protection of the earth's ozone layer.

As an Energy Star® Partner, Bryant Heating & Cooling has determined that this product meets the Energy Star® guidelines for energy efficiency. Refer to the combination ratings in the Product Data for system combinations that meet Energy Star® guidelines.

NOTE: Ratings contained in this document are subject to change at any time. Always refer to the AHRI directory (www.ahridirectory.org) for the most up-to-date ratings information.

INDUSTRY LEADING FEATURES / BENEFITS

Efficiency

- 14 - 16.5 SEER / 11.5- 13.5 EER
- Microtube Technology™ refrigeration system
- Indoor air quality accessories available

Sound

- Sound level as low as 72 dBA
- Compressor sound blanket standard

Comfort

- System supports Edge® Thermidistat™ or standard thermostat controls

Reliability

- Puron® refrigerant - environmentally sound, won't deplete the ozone layer and low lifetime service cost.
- Scroll compressor
- Internal pressure relief valve
- Internal thermal overload
- Filter drier
- High and low pressure switches
- Balanced refrigeration system for maximum reliability

Durability

DuraGuard™ protection package:

- Solid, durable sheet metal construction
- Louvered coil guard
- Baked-on, complete outer coverage, powder paint

Applications

- Long-line - up to 250 feet (76.20 m) total equivalent length, up to 200 feet (60.96 m) condenser above evaporator, or up to 80 ft. (24.38 m) evaporator above condenser (See Longline Guide for more information.)
- Low ambient (down to -20°F/-28.9°C)) with accessory kit

MODEL NUMBER NOMENCLATURE

1	2	3	4	5	6	7	8	9	10	11	12	14
N	N	N	A	A/N	N	N	N	N	A/N	A/N	N	A
1	2	6	B	N	A	0	3	6	0	0	0	A
Product Family	Tier	SEER	Major Series	Voltage	Variations	Cooling Capacity			Open	Open	Open	Minor Series
1=AC	2= Legacy	6=16 SEER	B=Puron	N= 208-230-1 or 208/230-1	A= Standard				0= Not Defined	0= Not Defined	0= Not Defined	A= Original Series



Use of the AHRI Certified TM Mark indicates a manufacturer's participation in the program. For verification of certification for individual products, go to www.ahridirectory.org.



This product has been designed and manufactured to meet Energy Star® criteria for energy efficiency when matched with appropriate coil components. However, proper refrigerant charge and proper air flow are critical to achieve rated capacity and efficiency. Installation of this product should follow all manufacturing refrigerant charging and air flow instructions. **Failure to confirm proper charge and air flow may reduce energy efficiency and shorten equipment life.**

STANDARD FEATURES

Feature	018	024	030	036	042	048	060
Puron Refrigerant	X	X	X	X	X	X	X
Maximum SEER *	16.0	16.0	16.5	16.5	16.0	16.0	16.0
Scroll Compressor	X	X	X	X	X	X	X
Field Installed Filter Drier	X	X	X	X	X	X	X
Front Seating Service Valves	X	X	X	X	X	X	X
Internal Pressure Relief Valve	X	X	X	X	X	X	X
Internal Thermal Overload	X	X	X	X	X	X	X
Long Line capability	X	X	X	X	X	X	X
Low Ambient capability with Kit	X	X	X	X	X	X	X
High Pressure Switch	X	X	X	X	X	X	X
Low Pressure Switch	X	X	X	X	X	X	X
Compressor Sound Blanket	X	X	X	X	X	X	X
Louvered Coil Guard	X	X	X	X	X	X	X

* With approved combinations

X = Standard

PHYSICAL DATA

UNIT SIZE-VOLTAGE, SERIES	0018-A	024-A	030-A	036-A	042-A	048-A	060-A
Operating Weight lb (kg)	136 (61.7)	163 (73.9)	167 (75.7)	180 (81.6)	234 (106.1)	248 (112.5)	337 (152.9)
Shipping Weight lb (kg)	163 (73.9)	198 (89.8)	204 (92.5)	219 (99.3)	281 (127.5)	291 (132.0)	372 (188.7)
Compressor Type	Scroll						
REFRIGERANT	Puron® (R-410A)						
Control	TXV (Puron® Hard Shutoff)						
Charge lb (kg)	4.60 (2.09)	6.00 (2.72)	6.81 (3.09)	7.00 (3.18)	8.62 (3.91)	10.50 (4.76)	14.50 (6.58)
COND FAN	Propeller Type, Direct Drive						
Air Discharge	Vertical						Vertical
Air Qty (CFM)	1881	2614	2614	3223	3810	4046	4046
Motor HP	1/12	1/10	1/10	1/12	1/5	1/4	1/4
Motor RPM	1100	800	800	800	800	800	800
COND COIL							
Face Area (Sq ft)	11.50	15.10	17.20	17.60	25.15	20.10	30.15
Fins per In.	25	25	25	25	25	20	20
Rows	1	1	1	1	1	2	2
Circuits	3	4	4	4	6	7	8
VALVE CONNECT. (In. ID)							
Vapor	3/4	3/4	3/4	7/8	7/8	7/8	7/8
Liquid	3/8	3/8	3/8	3/8	3/8	3/8	3/8
REFRIGERANT TUBES (In. OD)							
Rated Vapor*	3/4			7/8			1 1/8
Max Liquid Line				3/8			3/8

* Units are rated with 25 ft (7.6 m) of lineset length. See Vapor Line Sizing and Cooling Capacity Loss table when using other sizes and lengths of lineset.

Note: See unit Installation Instruction for proper installation.

† See *Liquid Line Sizing For Cooling Only Systems with Puron Refrigerant* tables.

REFRIGERANT PIPING LENGTH LIMITATIONS

Liquid Line Sizing and Maximum Total Equivalent Lengths† for Cooling Only Systems with Puron® Refrigerant:

The maximum allowable length of a residential split system depends on the liquid line diameter and vertical separation between indoor and outdoor units.

See Table below for liquid line sizing and maximum lengths :

Maximum Total Equivalent Length Outdoor Unit BELOW Indoor Unit

Size	Liquid Line Connection	Liquid Line Diam. w/ TXV	AC with Puron Refrigerant Maximum Total Equivalent Length†: Outdoor unit BELOW Indoor Vertical Separation ft (m)								
			0-5 (0-1.5)	6-10 (1.8-3.0)	11-20 (3.4-6.1)	21-30 (6.4-9.1)	31-40 (9.4-12.2)	41-50 (12.5-15.2)	51-60 (15.5-18.3)	61-70 (18.6-21.3)	71-80 (21.6-24.4)
18000 AC with Puron	3/8	1/4	150	150	125	100	100	75	--	--	--
		5/16	250*	250*	250*	250*	250*	250*	250*	225*	150
		3/8	250*	250*	250*	250*	250*	250*	250*	250*	250*
24000 AC with Puron	3/8	1/4	75	75	75	50	50	--	--	--	--
		5/16	250*	250*	250*	250*	250*	225*	175	125	100
		3/8	250*	250*	250*	250*	250*	250*	250*	250*	250*
30000 AC with Puron	3/8	1/4	30	--	--	--	--	--	--	--	--
		5/16	175	225*	200	175	125	100	75	--	--
		3/8	250*	250*	250*	250*	250*	250*	250*	250*	250*
36000 AC with Puron	3/8	5/16	175	150	150	100	100	100	75	--	--
		3/8	250*	250*	250*	250*	250*	250*	250*	250*	250*
		3/8	250*	250*	250*	250*	250*	250*	250*	250*	250*
42000 AC with Puron	3/8	5/16	125	100	100	75	75	50	--	--	--
		3/8	250*	250*	250*	250*	250*	250*	250*	250*	150
48000 AC with Puron	3/8	3/8	250*	250*	250*	250*	250*	250*	230	160	--
60000 AC with Puron	3/8	3/8	250*	250*	250*	225*	190	150	110	--	--

* Maximum actual length not to exceed 200 ft (61 m)

† Total equivalent length accounts for losses due to elbows or fitting. See the Long Line Guideline for details.

-- = outside acceptable range

Maximum Total Equivalent Length Outdoor Unit ABOVE Indoor Unit

Size	Liquid Line Connection	Liquid Line Diam. w/ TXV	AC with Puron Refrigerant Maximum Total Equivalent Length†: Outdoor unit ABOVE Indoor Vertical Separation ft (m)							
			25 (7.6)	26-50 (7.9-15.2)	51-75 (15.5-22.9)	76-100 (23.2-30.5)	101-125 (30.8-38.1)	126-150 (38.4-45.7)	151-175 (46.0-53.3)	176-200 (53.6-61.0)
18000 AC with Puron	3/8	1/4	175	250*	250*	250*	250*	250*	250*	250*
		5/16	250*	250*	250*	250*	250*	250*	250*	250*
		3/8	250*	250*	250*	250*	250*	250*	250*	250*
24000 AC with Puron	3/8	1/4	100	125	175	200	225*	250*	250*	250*
		5/16	250*	250*	250*	250*	250*	250*	250*	250*
		3/8	250*	250*	250*	250*	250*	250*	250*	250*
30000 AC with Puron	3/8	1/4	30	--	--	--	--	--	--	--
		5/16	250*	250*	250*	250*	250*	250*	250*	250*
		3/8	250*	250*	250*	250*	250*	250*	250*	250*
36000 AC with Puron	3/8	5/16	225*	250*	250*	250*	250*	250*	250*	250*
		3/8	250*	250*	250*	250*	250*	250*	250*	250*
42000 AC with Puron	3/8	5/16	175	200	250*	250*	250*	250*	250*	250*
		3/8	250*	250*	250*	250*	250*	250*	250*	250*
48000 AC with Puron	3/8	3/8	250*	250*	250*	250*	250*	250*	250*	250*
60000 AC with Puron	3/8	3/8	250*	250*	250*	250*	250*	250*	250*	250*

* Maximum actual length not to exceed 200 ft (61 m)

† Total equivalent length accounts for losses due to elbows or fitting. See the Long Line Guideline for details.

-- = outside acceptable range

126B

REFRIGERANT CHARGE ADJUSTMENTS

Liquid Line Size	Puron Charge oz/ft
3/8	0.60 (Factory charge for lineset = 9 oz)
5/16	0.40
1/4	0.27

Units are factory charged for 15 ft (4.6 m) of 3/8" liquid line. The factory charge for 3/8" lineset 9 oz. When using other length or diameter liquid lines, charge adjustments are required per the chart above.

Charging Formula:

$[(\text{Lineset oz/ft} \times \text{total length}) - (\text{factory charge for lineset})] = \text{charge adjustment}$

Example 1: System has 15 ft of line set using existing 1/4" liquid line. What charge adjustment is required?

Formula: $(.27 \text{ oz/ft} \times 15\text{ft}) - (9 \text{ oz}) = (-4.95) \text{ oz.}$

Net result is to remove 4.95 oz of refrigerant from the system

Example 2: System has 45 ft of existing 5/16" liquid line. What is the charge adjustment?

Formula: $(.40 \text{ oz/ft.} \times 45\text{ft}) - (9 \text{ oz.}) = 9 \text{ oz.}$

Net result is to add 9 oz of refrigerant to the system

LONG LINE APPLICATIONS

An application is considered Long Line, when the refrigerant level in the system requires the use of accessories to maintain acceptable refrigerant management for systems reliability. See Accessory Usage Guideline table for required accessories. Defining a system as long line depends on the liquid line diameter, actual length of the tubing, and vertical separation between the indoor and outdoor units.

For Air Conditioner systems, the chart below shows when an application is considered Long Line.

AC WITH PURON® REFRIGERANT LONG LINE DESCRIPTION ft (m) Beyond these lengths, long line accessories are required

Liquid Line Size	Units On Same Level	Outdoor Below Indoor	Outdoor Above Indoor
1/4	No accessories needed within allowed lengths	No accessories needed within allowed lengths	175 (53.3)
5/16	120 (36.6)	50 (15.2)	120 (36.6)
3/8	80 (24.4)	35 (10.7)	80 (24.4)

Note: See Long Line Guideline for details

VAPOR LINE SIZING AND COOLING CAPACITY LOSS

Acceptable vapor line diameters provide adequate oil return to the compressor while avoiding excessive capacity loss. The suction line diameters shown in the chart below are acceptable for AC systems with Puron refrigerant:

Unit Nominal Size (Btuh)	Maximum Liquid Line Diameters (In. OD)	Vapor Line Diameters (In. OD)	Cooling Capacity Loss (%) Total Equivalent Line Length ft. (m)								
			26-50 (7.9-15.2)	51-80 (15.5-24.4)	81-100 (24.7-30.5)	101-125 (30.8-38.1)	126-150 (38.4-45.7)	151-175 (46.0-53.3)	176-200 (53.6-61.0)	201-225 (61.3-68.6)	226-250 (68.9-76.2)
18000 1 Stage AC with Puron	3/8	1/2	1	2	3	5	6	7	8	9	11
		5/8	0	1	1	1	2	2	2	3	3
		3/4	0	0	0	0	1	1	1	1	1
24000 1 Stage AC with Puron	3/8	5/8	0	1	2	2	3	3	4	5	5
		3/4	0	0	1	1	1	1	1	2	2
		7/8	0	0	0	0	0	1	1	1	1
30000 1 Stage AC with Puron	3/8	5/8	1	2	3	3	4	5	6	7	8
		3/4	0	0	1	1	1	2	2	2	3
		7/8	0	0	0	0	1	1	1	1	1
36000 1 Stage AC with Puron	3/8	5/8	1	2	4	5	6	8	9	10	12
		3/4	0	1	1	2	2	3	3	4	4
		7/8	0	0	0	1	1	1	1	2	2
42000 1 Stage AC with Puron	3/8	3/4	0	1	2	2	3	4	4	5	6
		7/8	0	0	1	1	1	2	2	2	3
		1 1/8	0	0	0	0	0	0	0	0	0
48000 1 Stage AC with Puron	3/8	3/4	0	1	2	3	4	5	5	6	7
		7/8	0	0	1	1	2	2	2	3	3
		1 1/8	0	0	0	0	0	0	0	1	1
60000 1 Stage AC with Puron	3/8	3/4	1	2	4	5	6	7	9	10	11
		7/8	0	1	2	2	3	4	4	5	5
		1 1/8	0	0	0	1	1	1	1	1	1

Applications in this area may be long line and may have height restrictions. See the *Residential Piping and Long Line Guideline*.

ACCESSORY THERMOSTATS

THERMOSTAT / SUBBASE PKG.	DESCRIPTION
T6-PRH01-A	Programmable Thermostat
T6-NRH01-A	Non-programmable Thermostat
T6-PAC01	Preferred Series Programmable AC Stat
T6-NAC01	Preferred Series Non-programmable AC Stat
T2-PAC01	Legacy Series Programmable AC Stat
T2-NAC01	Legacy Series Non-programmable AC Stat
T1-PAC01	Legacy RNC Series Programmable AC Stat
T1-NAC01	Legacy RNC Series Non-programmable AC Stat
TSTATBSEN01-B	Outdoor Air Temperature Sensor
TSTATXBBP01	Backplate for Builder's Thermostat
TSTATXXNBP01	Backplate for Non-Programmable Thermostat
TSTATXXBP01	Backplate for Programmable Thermostat
TSTATXXCNV10	Thermostat Conversion Kit (4 to 5 wires) - 10 Pack

ACCESSORIES

KIT NUMBER	DESCRIPTION	Size - Voltage & Series						
		0018-A	024-A	030-A	036-A	042-A	048-A	060-A
KAFT0101AAA	FREEZE THERMOSTAT	X	X	X	X	X	X	X
KAATD0101TDR	TIME DELAY RELAY	X	X	X	X	X	X	X
KSALA0301410	LOW AMBIENT PSW	X	X	X	X	X	X	X
KSALA0601AAA†	MOTORMASTER 230V	X	X	X	X	X	X	X
HC32GE234	MOTOR FAN BALL BEARING	X						
HC34GE240	MOTOR FAN BALL BEARING		X	X				
HC32GE229	MOTOR FAN BALL BEARING				X			
HC38GE228	MOTOR FAN BALL BEARING					X		
HC40GE228	MOTOR FAN BALL BEARING						X	X
KAHS1701AAA	HARD START (CAP/RELAY)	X	X	X	X	X	X	X
KSACY0101AAA	CYCLE PROTECTOR	X	X	X	X	X	X	X
KSASF0101AAA	SUPPORT FEET	X	X	X	X	X	X	X
KAACS0201PTC	START ASSIST PTC	X	X	X	X	X	X	X
KAALS0201LLS	LIQUID LINE SOLENOID	X	X	X	X	X	X	X
KAAWS0101AAA	WINTER START	X	X	X	X	X	X	X
KAACH1701AAA	CRANKCASE HTR	X	X	X	X			
KAACH1601AAA	CRANKCASE HTR					X	S	S
KSATX0201PUR	TXV PURON HSO	X	X	X				
KSATX0301PUR	TXV PURON HSO				X			
KSATX0401PUR	TXV PURON HSO					X		
KSATX0501PUR	TXV PURON HSO						X	X

† Required accessories include ball bearing fan motor, compressor start assist (CAP / Relay), crankcase heater, evaporator freeze stat, hard shut-off TXV.
X = Accessory / S - Standard

126B

ACCESSORY USAGE GUIDELINE

ACCESSORY	REQUIRED FOR LOW-AMBI- ENT COOLING APPLICATIONS (Below 55°F/12.8°C)	REQUIRED FOR LONG LINE APPLICATIONS* (Over 80 ft./24.38 m)	REQUIRED FOR SEA COAST APPLICATIONS (Within 2 miles/3.22 km)
Ball Bearing Fan Motor	Yes†	No	No
Compressor Start Assist Capacitor and Relay	Yes	Yes	No
Crankcase Heater	Yes	Yes	No
Evaporator Freeze Thermostat	Yes	No	No
Hard Shut-Off TXV	Yes	Yes	Yes
Liquid Line Solenoid Valve	No	No	No
Motor Master® Control or Low-ambient Pressure Switch	Yes	No	No
Support Feet	Recommended	No	Recommended
Winter Start Control	Yes	No	No

* For tubing line sets between 80 and 200 ft. (24.38 and 60.96 m) and/or 20 ft. (6.09 m) vertical differential, refer to Residential Split-System Longline Application Guideline.

† Required for Low-Ambient Controller (full modulation feature) MotorMaster® Control.

Accessory Description and Usage (Listed Alphabetically)

1. Ball-Bearing Fan Motor

A fan motor with ball bearings which permits speed reduction while maintaining bearing lubrication.

Usage Guideline:

Required on all units when MotorMaster® is used.

2. Compressor Start Assist - Capacitor and Relay

Start capacitor and relay gives a "hard" boost to compressor motor at each start up.

Usage Guideline:

Required for reciprocating compressors in the following applications:

- Long line
- Low ambient cooling
- Hard shut off expansion valve on indoor coil
- Liquid line solenoid on indoor coil

Required for single-phase scroll compressors in the following applications:

- Long line
- Low ambient cooling

Suggested for all compressors in areas with a history of low voltage problems.

3. Compressor Start Assist — PTC Type

Solid state electrical device which gives a "soft" boost to the compressor at each start-up.

Usage Guideline:

Suggested in installations with marginal power supply.

4. Crankcase Heater

An electric resistance heater which mounts to the base of the compressor to keep the lubricant warm during off cycles. Improves compressor lubrication on restart and minimizes the chance of liquid slugging.

Usage Guideline:

- Required in low ambient cooling applications.
- Required in long line applications.
- Suggested in all commercial applications.

5. Cycle Protector

The cycle protector is designed to prevent compressor short cycling. This control provides an approximate 5-minute delay after power to the compressor has been interrupted for any reason, including power outage, protector control trip, thermostat jiggling, or normal cycling.

6. Evaporator Freeze Thermostat

An SPST temperature-actuated switch that stops unit operation when evaporator reaches freeze-up conditions.

Usage Guideline:

Required when low ambient kit has been added.

7. Low-Ambient Pressure Switch Kit

A long life pressure switch which is mounted to outdoor unit service valve. It is designed to cycle the outdoor fan motor in order to maintain head pressure within normal operating limits (approximately 100 psig to 225 psig). The control will maintain working head pressure at low-ambient temperatures down to 0°F (-18°C) when properly installed.

Usage Guideline:

A Low-Ambient Pressure Switch or MotorMaster® Low-Ambient Controller must be used when cooling operation is used at outdoor temperatures below 55°F (12.8°C).

8. MotorMaster® Low-Ambient Controller

A fan-speed control device activated by a temperature sensor, designed to control condenser fan motor speed in response to the saturated, condensing temperature during operation in cooling mode only. For outdoor temperatures down to -20°F (-28.9°C), it maintains condensing temperature at 100°F ±10°F (37.8°C ± 5.5°C).

Usage Guideline:

A MotorMaster® Low Ambient Controller or Low-Ambient Pressure Switch must be used when cooling operation is used at outdoor temperatures below 55°F (12.8°C).

Suggested for all commercial applications.

9. Outdoor Air Temperature Sensor

Designed for use with Bryant Thermostats listed in this publication. This device enables the thermostat to display the outdoor temperature. This device also

is required to enable special thermostat features such as auxiliary heat lock out.

Usage Guideline:

Suggested for all Bryant thermostats listed in this publication.

Accessory Description and Usage (Listed Alphabetically) (Continued)

10. Support Feet

Four stick-on plastic feet that raise the unit 4 in. (101.6 mm) above the mounting pad. This allows sand, dirt, and other debris to be flushed from the unit base, minimizing corrosion.

Usage Guideline:

Suggested in the following applications:

Coastal installations.

Windy areas or where debris is normally circulating.

Rooftop installations.

For improved sound ratings.

11. Thermostatic Expansion Valve (TXV)

A modulating flow-control valve which meters refrigerant liquid flow rate into the evaporator in response to the superheat of the refrigerant gas leaving the evaporator.

Kit includes valve, adapter tubes, and external equalizer tube. Hard shut off types are available.

NOTE: When using a hard shut off TXV with single phase reciprocating compressors, a Compressor Start Assist Capacitor and Relay is required.

Usage Guideline:

Required to achieve AHRI ratings in certain equipment

combinations. Refer to combination ratings.

Hard shut off TXV or LLS required in air conditioner long line applications.

Required for use on all zoning systems.

12. Time-Delay Relay

An SPST delay relay which briefly continues operation of indoor blower motor to provide additional cooling after the compressor cycles off.

NOTE: Most indoor unit controls include this feature. For those that do not, use the guideline below.

Usage Guideline:

For improved efficiency ratings for certain combinations of indoor and outdoor units. Refer to AHRI Unitary Directory.

13. Winter Start Control

This control is designed to alleviate nuisance opening of the low-pressure switch by bypassing it for the first 3 minutes of operation.

ELECTRICAL DATA

UNIT SIZE	V/PH	OPER VOLTS*		COMPR		FAN	MCA	MIN WIRE SIZE† 60° C	MIN WIRE SIZE† 75° C	MAX LENGTH ft. (m)‡ 60° C	MAX LENGTH ft. (m)‡ 75° C	MAX FUSE** or CKT BRK AMPS
		MAX	MIN	LRA	RLA	FLA						
018-A	208/230/1-60	253	197	48.0	9.0	0.50	11.8	14	14	67 (20.4)	64 (19.5)	20
024-A				58.3	13.5	0.70	17.6	14	14	46 (14.0)	43 (13.1)	25
030-A				64.0	12.8	0.70	16.7	14	14	44 (13.4)	41 (12.5)	25
036-A				77.0	14.1	0.50	18.1	12	12	57 (17.4)	54 (16.5)	30
042-A				112.0	17.9	1.20	23.6	10	10	85 (25.9)	81 (24.7)	40
048-A				109.0	19.9	1.20	26.1	10	10	70 (21.3)	67 (20.4)	40
060-A	208/230/1-60	253	197	135.0	21.4	1.20	28.0	8	10	91 (27.7)	56 (17.1)	40

* Permissible limits of the voltage range at which the unit will operate satisfactorily

† If wire is applied at ambient greater than 30°C, consult table 310-16 of the NEC (NFPA 70). The ampacity of non-metallic-sheathed cable (NM), trade name ROMEX, shall be that of 60°C conditions, per the NEC (NFPA 70) Article 336-26. If other than uncoated (no-plated), 60 or 75°C insulation, copper wire (solid wire for 10 AWG or smaller, stranded wire for larger than 10 AWG) is used, consult applicable tables of the NEC (NFPA 70).

‡ Length shown is as measured one way along wire path between unit and service panel for voltage drop not to exceed 2%.

** Time-Delay fuse.

FLA - Full Load Amps

LRA - Locked Rotor Amps

MCA - Minimum Circuit Amps

RLA - Rated Load Amps

NOTE: Control circuit is 24-V on all units and requires external power source. Copper wire must be used from service disconnect to unit.

All motors/compressors contain internal overload protection.

Complies with 2007 requirements of ASHRAE Standards 90.1

126B

A-WEIGHTED SOUND POWER LEVEL (dBA)

Unit Size - Voltage, Series	Standard Rating (dBA)	TYPICAL OCTAVE BAND SPECTRUM (dBA without tone adjustment)						
		125	250	500	1000	2000	4000	8000
018-A	73	49.5	58.5	64.5	69.0	63.0	59.5	52.4
024-A	74	54.5	62.0	67.0	71.5	66.0	62.0	53.0
030-A	74	56.0	62.5	66.0	68.5	64.5	61.0	53.5
036-A	72	52.0	61.0	64.0	66.0	61.0	58.5	51.5
042-A	74	56.5	61.5	65.0	66.5	63.5	61.0	56.5
048-A	73	58.0	61.0	65.0	66.0	62.0	58.0	51.0
060-A	74	56.5	62.5	66.5	68.0	63.0	59.5	51.5

NOTE: Tested in accordance with AHRI Standard 270-08 (not listed in AHRI).

CHARGING SUBCOOLING (TXV-TYPE EXPANSION DEVICE)

UNIT SIZE - VOLTAGE, SERIES	REQUIRED SUBCOOLING °F (°C)
018-A	10 (5.6)
024-A	10 (5.6)
030-A	10 (5.6)
036-A	10 (5.6)
042-A	9 (5.0)
048-A	10 (5.6)
060-A	9 (5.0)

DIMENSIONS - ENGLISH

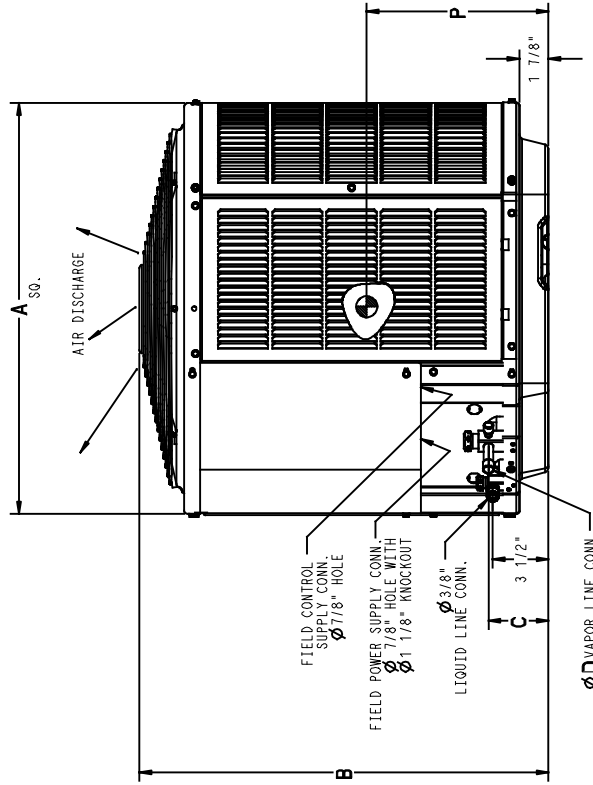
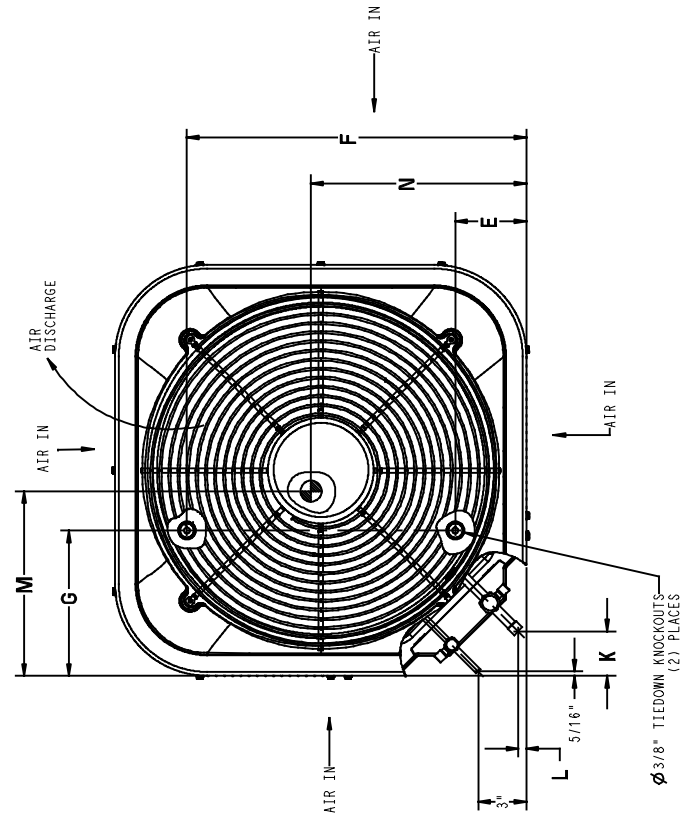
UNIT	SERIES	ELECTRICAL CHARACTERISTICS	A	B	C	D	E	F	G	K	L	M	N	P	OPERATING WEIGHT (lbs)	SHIPPING WEIGHT (lbs)	SHIPPING DIMENSIONS (L x W x H)
126BNA018	A	X 0 0 0	25 3/4"	28 11/16"	3 3/4"	3/4"	4 7/16"	21 1/4"	7 13/16"	2 13/16"	1/2"	13 1/4"	13 3/4"	12 3/4"	136	163	26 7/8" X 30 1/16" X 32 9/16"
126BNA024	A	X 0 0 0	31 3/16"	28 5/16"	3 3/4"	3/4"	6 9/16"	24 11/16"	9 1/8"	2 13/16"	1/2"	15 5/8"	15 1/2"	14"	163	198	32 3/8" X 35 1/2" X 32 9/16"
126BNA030	A	X 0 0 0	31 3/16"	32 5/16"	3 3/4"	3/4"	6 9/16"	24 11/16"	9 1/8"	2 13/16"	1/2"	16 1/2"	15"	14 3/4"	167	204	32 3/8" X 35 1/2" X 35 15/16"
126BNA036	A	X 0 0 0	35"	28 5/16"	3 7/8"	7/8"	6 9/16"	28 7/16"	9 1/8"	2 15/16"	5/8"	18 1/4"	16 7/8"	14"	180	219	36 1/8" X 39 5/16" X 32 9/16"
126BNA042	A	X 0 0 0	35"	39 1/8"	3 7/8"	7/8"	6 9/16"	28 7/16"	9 1/8"	2 15/16"	5/8"	18"	16"	17 1/2"	234	281	36 1/8" X 39 5/16" X 42 3/4"
126BNA048	A	X 0 0 0	35"	32 5/16"	3 7/8"	7/8"	6 9/16"	28 7/16"	9 1/8"	2 15/16"	5/8"	17"	17 1/2"	14"	248	291	36 1/8" X 39 5/16" X 35 15/16"
126BNA060	A	X 0 0 0	35"	45 15/16"	3 7/8"	7/8"	6 9/16"	28 7/16"	9 1/8"	2 15/16"	5/8"	17 7/8"	18 5/8"	20 1/4"	337	372	36 1/8" X 39 5/16" X 49 9/16"

X = YES
0 = NO

208-230-160	230-160	208/230-3-60	460-3-60
-------------	---------	--------------	----------

NOTES:

1. ALLOW 30" CLEARANCE TO SERVICE SIDE OF UNIT, 48" ABOVE UNIT, 6" ON ONE SIDE, 12" ON REMAINING SIDE, AND 24" BETWEEN UNITS FOR PROPER AIRFLOW.
2. MINIMUM OUTDOOR OPERATING AMBIENT IN COOLING MODE IS 55°F, MAX. 125°F.
3. SERIES DESIGNATION IS THE 10TH POSITION OF THE UNIT MODEL NUMBER.
4. CENTER OF GRAVITY
5. ALL DIMENSIONS ARE IN "INCHES" UNLESS NOTED.



UNIT SIZE	MINIMUM MOUNTING PAD DIMENSIONS
18	26" X 26"
24, 30	31 1/2" X 31 1/2"
36 THRU 60	35" X 35"


DIMENSIONS - SI

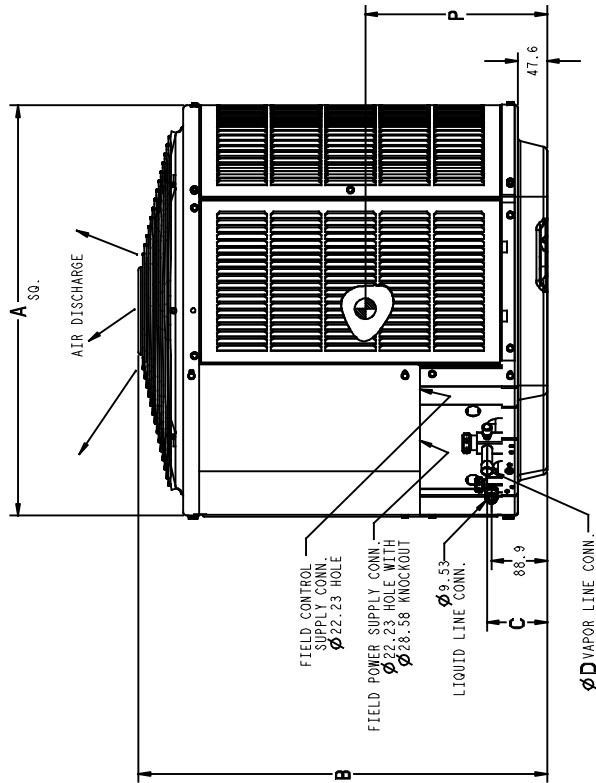
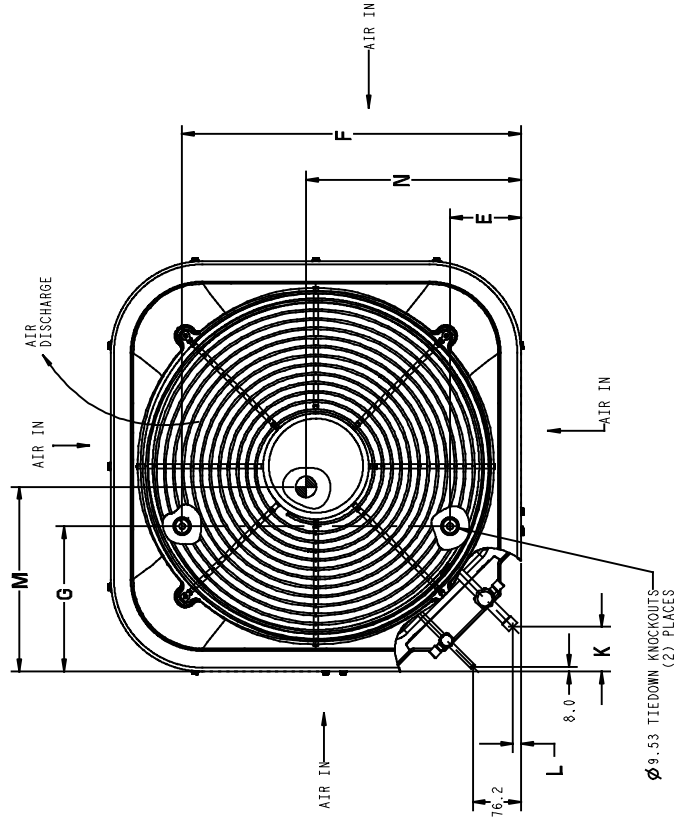
UNIT	SERIES	ELECTRICAL CHARACTERISTICS	A	B	C	D	E	F	G	K	L	M	N	P	OPERATING WEIGHT (Kgs)	SHIPPING WEIGHT (Kgs)	SHIPPING DIMENSIONS (L x W x H)
126BNA018	A	X 0 0 0	654.0	728.7	95.2	19.0	112.7	539.8	198.4	71.4	12.7	336.6	349.3	323.9	61.7	73.9	682.6 X 763.6 X 827.1
126BNA024	A	X 0 0 0	792.2	719.2	95.2	19.0	166.7	627.1	231.8	71.4	12.7	396.9	393.7	355.6	73.9	89.8	822.3 X 901.7 X 827.1
126BNA030	A	X 0 0 0	792.2	820.8	95.2	19.0	166.7	627.1	231.8	71.4	12.7	419.1	381.0	374.7	75.7	92.5	822.3 X 901.7 X 912.8
126BNA036	A	X 0 0 0	889.0	719.2	98.6	22.2	166.7	722.3	231.8	74.6	15.9	463.6	428.6	355.6	81.6	99.3	917.6 X 998.6 X 827.1
126BNA042	A	X 0 0 0	889.0	993.8	98.6	22.2	166.7	722.3	231.8	74.6	15.9	457.2	406.4	444.5	106.1	127.5	917.6 X 998.6 X 1085.8
126BNA048	A	X 0 0 0	889.0	820.8	98.6	22.2	166.7	722.3	231.8	74.6	15.9	431.8	444.5	355.6	112.5	132.0	917.6 X 998.6 X 912.8
126BNA060	A	X 0 0 0	889.0	1166.8	98.6	22.2	166.7	722.3	231.8	74.6	15.9	454.0	473.1	514.4	132.9	168.7	917.6 X 998.6 X 1258.9

208-230-160	230-160	208/230-360	460-360
-------------	---------	-------------	---------

X = YES
0 = NO

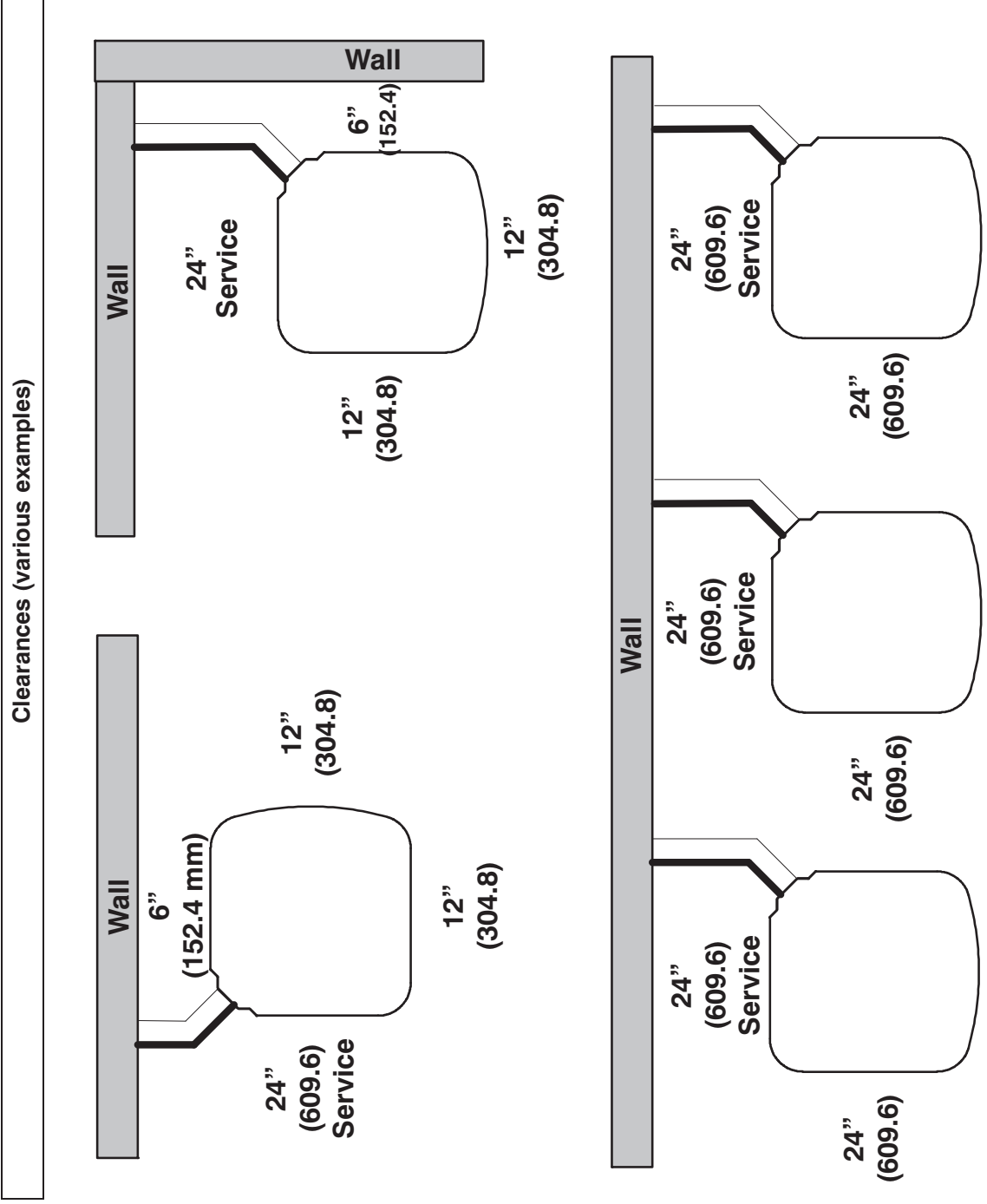
NOTES:

1. ALLOW 762.0 CLEARANCE TO SERVICE SIDE OF UNIT, 1219.2 ABOVE UNIT, 132.4 ON ONE SIDE, 304.8 ON REMAINING SIDE, AND 609.6 BETWEEN UNITS FOR PROPER AIRFLOW.
2. MINIMUM OUTDOOR OPERATING AMBIENT IN COOLING MODE IS 13° C, MAX. 52° C.
3. SERIES DESIGNATION IS THE 10TH POSITION OF THE UNIT MODEL NUMBER.
4. CENTER OF GRAVITY 
5. ALL DIMENSIONS ARE IN "MM" UNLESS NOTED.



UNIT SIZE	MINIMUM MOUNTING PAD DIMENSIONS
18	660.4 X 660.4
24,30	800.1 X 800.1
36 THRU 60	889.0 X 889.0

CLEARANCES



Note: Numbers in () = mm

IMPORTANT: When installing multiple units in an alcove, roof well, or partially enclosed area, ensure there is adequate ventilation to prevent re-circulation of discharge air.

COMBINATION RATINGS

AHRI Ref. No.	Model Number	Indoor Model	Furnace Model	Capacity	EER	SEER
3658191	126BNA018****A	†CNPV*1917A**+TDR		18,000	12.0	14.5
3657188	126BNA018****A	CAP**1814A**	313*AV024045	18,000	13.0	15.5
3657187	126BNA018****A	CAP**1814A**	315(A,J)AV036070	18,000	12.5	15.5
3657189	126BNA018****A	CAP**1814A**+TDR		18,000	11.5	13.5
3657192	126BNA018****A	CAP**2414A**	313*AV024045	18,000	13.0	16.0
3657190	126BNA018****A	CAP**2414A**	315(A,J)AV036070	18,000	13.0	16.0
3657194	126BNA018****A	CAP**2414A**+TDR		18,000	11.5	14.0
3657207	126BNA018****A	CAP**2417A**	313*AV024045	18,000	13.0	16.0
3657196	126BNA018****A	CAP**2417A**	315(A,J)AV036070	18,000	13.0	16.0
3657198	126BNA018****A	CAP**2417A**	315(A,J)AV048090	18,000	13.0	16.0
3657200	126BNA018****A	CAP**2417A**	353(A,B)AV036060	18,000	13.0	16.0
3657203	126BNA018****A	CAP**2417A**	353AAV036040	18,000	13.0	16.0
3657205	126BNA018****A	CAP**2417A**	355(A,C)AV042060	18,000	13.0	16.0
3657213	126BNA018****A	CAP**2417A**	355BAV042060	18,000	13.0	16.0
3657209	126BNA018****A	CAP**2417A**	368RAN036105	18,000	13.0	16.0
3657211	126BNA018****A	CAP**2417A**	374RAN036105	18,000	13.0	16.0
3657215	126BNA018****A	CAP**2417A**+TDR		18,000	11.5	14.0
3657693	126BNA018****A	CNPF*2418A**+TDR		18,000	11.5	14.0
3657722	126BNA018****A	CNPH*2417A**	313*AV024045	18,000	13.0	16.0
3657701	126BNA018****A	CNPH*2417A**	315(A,J)AV036070	18,000	13.0	16.0
3657703	126BNA018****A	CNPH*2417A**	315(A,J)AV048090	18,000	13.0	16.0
3657708	126BNA018****A	CNPH*2417A**	353(A,B)AV036060	18,000	13.0	16.0
3657711	126BNA018****A	CNPH*2417A**	353AAV036040	18,000	13.0	16.0
3657713	126BNA018****A	CNPH*2417A**	355(A,C)AV042060	18,000	13.0	16.0
3657715	126BNA018****A	CNPH*2417A**	355(A,C)AV042080	18,000	13.0	16.0
3657720	126BNA018****A	CNPH*2417A**	355AAV042040	18,000	13.0	16.0
3657728	126BNA018****A	CNPH*2417A**	355BAV042060	18,000	13.0	16.0
3657730	126BNA018****A	CNPH*2417A**	355BAV042080	18,000	13.0	16.0
3657724	126BNA018****A	CNPH*2417A**	368RAN036105	18,000	13.0	16.0
3657726	126BNA018****A	CNPH*2417A**	374RAN036105	18,000	13.0	16.0
3657735	126BNA018****A	CNPH*2417A**+TDR		18,000	12.0	14.5
3658173	126BNA018****A	CNPV*1814A**	313*AV024045	18,000	13.0	15.5
3658172	126BNA018****A	CNPV*1814A**	315(A,J)AV036070	18,000	13.0	15.5
3658174	126BNA018****A	CNPV*1814A**+TDR		18,000	11.5	14.0
3658185	126BNA018****A	CNPV*1917A**	313*AV024045	18,000	13.0	16.0
3658175	126BNA018****A	CNPV*1917A**	315(A,J)AV036070	18,000	13.0	16.0
3658177	126BNA018****A	CNPV*1917A**	315(A,J)AV048090	18,000	13.0	16.0
3658179	126BNA018****A	CNPV*1917A**	353(A,B)AV036060	18,000	13.0	16.0
3658181	126BNA018****A	CNPV*1917A**	353AAV036040	18,000	13.0	16.0
3658183	126BNA018****A	CNPV*1917A**	355(A,C)AV042060	18,000	13.0	16.0
3658189	126BNA018****A	CNPV*1917A**	355BAV042060	18,000	13.0	16.0
3658187	126BNA018****A	CNPV*1917A**	368RAN036105	18,000	13.0	16.0
3658188	126BNA018****A	CNPV*1917A**	374RAN036105	18,000	13.0	16.0
3658195	126BNA018****A	CNPV*2414A**	313*AV024045	18,000	13.0	16.0
3658193	126BNA018****A	CNPV*2414A**	315(A,J)AV036070	18,000	13.0	16.0
3658197	126BNA018****A	CNPV*2414A**+TDR		18,000	11.5	14.0
3658210	126BNA018****A	CNPV*2417A**	313*AV024045	18,000	13.0	16.0
3658199	126BNA018****A	CNPV*2417A**	315(A,J)AV036070	18,000	13.0	16.0
3658201	126BNA018****A	CNPV*2417A**	315(A,J)AV048090	18,000	13.0	16.0
3658203	126BNA018****A	CNPV*2417A**	353(A,B)AV036060	18,000	13.0	16.0
3658206	126BNA018****A	CNPV*2417A**	353AAV036040	18,000	13.0	16.0
3658208	126BNA018****A	CNPV*2417A**	355(A,C)AV042060	18,000	13.0	16.0
3658216	126BNA018****A	CNPV*2417A**	355BAV042060	18,000	13.0	16.0
3658212	126BNA018****A	CNPV*2417A**	368RAN036105	18,000	13.0	16.0
3658214	126BNA018****A	CNPV*2417A**	374RAN036105	18,000	13.0	16.0
3658218	126BNA018****A	CNPV*2417A**+TDR		18,000	11.5	14.0
3658673	126BNA018****A	CSPH*2412A**	313*AV024045	18,000	13.0	16.0
3658662	126BNA018****A	CSPH*2412A**	315(A,J)AV036070	18,000	13.0	16.0
3658663	126BNA018****A	CSPH*2412A**	315(A,J)AV048090	18,000	13.0	16.0
3658668	126BNA018****A	CSPH*2412A**	353(A,B)AV036060	18,000	13.0	16.0
3658669	126BNA018****A	CSPH*2412A**	353AAV036040	18,000	13.0	16.0
3658670	126BNA018****A	CSPH*2412A**	355(A,C)AV042060	18,000	13.0	16.0
3658671	126BNA018****A	CSPH*2412A**	355(A,C)AV042080	18,000	13.0	16.0
3658672	126BNA018****A	CSPH*2412A**	355AAV042040	18,000	13.0	16.0
3658678	126BNA018****A	CSPH*2412A**	355BAV042060	18,000	13.0	16.0
3658679	126BNA018****A	CSPH*2412A**	355BAV042080	18,000	13.0	16.0
3658664	126BNA018****A	CSPH*2412A**	359BAV036040	18,000	13.0	15.5
3658666	126BNA018****A	CSPH*2412A**	359BAV036060	18,000	13.0	15.5
3658674	126BNA018****A	CSPH*2412A**	368RAN036105	18,000	13.0	16.0
3658676	126BNA018****A	CSPH*2412A**	374RAN036105	18,000	13.0	16.0
3658680	126BNA018****A	CSPH*2412A**+TDR		18,000	12.0	14.0
3659049	126BNA018****A	FE4ANF002+UI		18,000	13.0	16.0
3659056	126BNA018****A	FF1ENP018		18,000	11.5	14.0
3659057	126BNA018****A	FF1ENP019		18,000	12.5	15.5
3659058	126BNA018****A	FF1ENP024		18,000	11.5	14.0
3659060	126BNA018****A	FF1ENP025		18,000	13.0	16.0
3659083	126BNA018****A	FV4BNF002		18,000	13.0	16.0
3658269	126BNA024****A	†CNPV*3117A**+TDR		23,600	12.0	14.5

See notes on page 37

COMBINATION RATINGS CONTINUED

AHRI Ref. No.	Model Number	Indoor Model	Furnace Model	Capacity	EER	SEER
3657193	126BNA024****A	CAP**2414A**	313*AV024045	23,000	12.5	15.5
3657191	126BNA024****A	CAP**2414A**	315(A,J)AV036070	22,800	12.5	15.5
3657195	126BNA024****A	CAP**2414A**+TDR		23,000	11.5	14.0
3657202	126BNA024****A	CAP**2417A**	353(A,B)AV036080	23,200	13.0	16.0
3657208	126BNA024****A	CAP**2417A**	313*AV024045	23,000	12.5	15.5
3657197	126BNA024****A	CAP**2417A**	315(A,J)AV036070	22,800	12.5	15.5
3657199	126BNA024****A	CAP**2417A**	315(A,J)AV048090	22,800	13.0	16.0
3657201	126BNA024****A	CAP**2417A**	353(A,B)AV036060	23,400	13.0	16.0
3657204	126BNA024****A	CAP**2417A**	353AAV036040	23,400	13.0	16.0
3657206	126BNA024****A	CAP**2417A**	355(A,C)AV042060	23,200	13.0	16.0
3657214	126BNA024****A	CAP**2417A**	355BAV042060	23,200	13.0	16.0
3657210	126BNA024****A	CAP**2417A**	368RAN036105	23,000	13.0	16.0
3657212	126BNA024****A	CAP**2417A**	374RAN036105	22,800	13.0	15.5
3657216	126BNA024****A	CAP**2417A**+TDR		23,000	11.5	14.0
3657219	126BNA024****A	CAP**3014A**	313*AV024045	23,200	12.5	15.5
3657217	126BNA024****A	CAP**3014A**	315(A,J)AV036070	22,800	13.0	16.0
3657220	126BNA024****A	CAP**3014A**+TDR		23,200	11.5	14.0
3657228	126BNA024****A	CAP**3017A**	353(A,B)AV036080	23,400	13.0	16.0
3657235	126BNA024****A	CAP**3017A**	313*AV024045	23,200	13.0	16.0
3657222	126BNA024****A	CAP**3017A**	315(A,J)AV036070	23,000	13.0	16.0
3657224	126BNA024****A	CAP**3017A**	315(A,J)AV048090	23,000	13.0	16.0
3657226	126BNA024****A	CAP**3017A**	353(A,B)AV036060	23,600	13.0	16.0
3657231	126BNA024****A	CAP**3017A**	353AAV036040	23,600	13.0	16.0
3657233	126BNA024****A	CAP**3017A**	355(A,C)AV042060	23,200	13.0	16.0
3657241	126BNA024****A	CAP**3017A**	355BAV042060	23,200	13.0	16.0
3657237	126BNA024****A	CAP**3017A**	368RAN036105	23,200	13.0	16.0
3657239	126BNA024****A	CAP**3017A**	374RAN036105	23,000	13.0	16.0
3657243	126BNA024****A	CAP**3017A**+TDR		23,200	11.5	14.0
3657248	126BNA024****A	CAP**3614A**	313*AV024045	23,200	13.0	16.0
3657245	126BNA024****A	CAP**3614A**	315(A,J)AV036070	23,000	13.0	16.0
3657250	126BNA024****A	CAP**3614A**+TDR		23,200	11.5	14.0
3657262	126BNA024****A	CAP**3617A**	353(A,B)AV036080	23,600	13.0	16.0
3657273	126BNA024****A	CAP**3617A**	313*AV024045	23,400	13.0	16.0
3657253	126BNA024****A	CAP**3617A**	315(A,J)AV036070	23,000	13.0	16.0
3657256	126BNA024****A	CAP**3617A**	315(A,J)AV048090	23,000	13.0	16.0
3657259	126BNA024****A	CAP**3617A**	353(A,B)AV036060	23,800	13.0	16.0
3657267	126BNA024****A	CAP**3617A**	353AAV036040	23,600	13.0	16.0
3657270	126BNA024****A	CAP**3617A**	355(A,C)AV042060	23,400	13.0	16.0
3657283	126BNA024****A	CAP**3617A**	355BAV042060	23,400	13.0	16.0
3657277	126BNA024****A	CAP**3617A**	368RAN036105	23,200	13.0	16.0
3657280	126BNA024****A	CAP**3617A**	374RAN036105	23,000	13.0	16.0
3657286	126BNA024****A	CAP**3617A**+TDR		23,200	11.5	14.0
3657289	126BNA024****A	CAP**3619A**	359BAV036040	23,400	12.5	15.5
3657292	126BNA024****A	CAP**3619A**	359BAV036060	23,600	12.5	15.5
3657295	126BNA024****A	CAP**3619A**+TDR		23,200	11.5	14.0
3657307	126BNA024****A	CAP**3621A**	353(A,B)AV036080	23,600	13.0	16.0
3657298	126BNA024****A	CAP**3621A**	315(A,J)AV048090	23,000	13.0	16.0
3657301	126BNA024****A	CAP**3621A**	315(A,J)AV060110	23,200	13.0	16.0
3657304	126BNA024****A	CAP**3621A**	353(A,B)AV036060	23,800	13.0	16.0
3657313	126BNA024****A	CAP**3621A**	353AAV036040	23,800	13.0	16.0
3657316	126BNA024****A	CAP**3621A**	355(A,C)AV042060	23,400	13.0	16.0
3657319	126BNA024****A	CAP**3621A**	355(A,C)AV042080	23,000	13.0	16.0
3657322	126BNA024****A	CAP**3621A**	355(A,C)AV060080	22,800	13.0	16.0
3657325	126BNA024****A	CAP**3621A**	355(A,C)AV060100	23,000	13.0	16.0
3657341	126BNA024****A	CAP**3621A**	355BAV042060	23,400	13.0	16.0
3657344	126BNA024****A	CAP**3621A**	355BAV042080	23,000	13.0	16.0
3657347	126BNA024****A	CAP**3621A**	355BAV060080	22,800	13.0	16.0
3657350	126BNA024****A	CAP**3621A**	355BAV060100	23,000	13.0	16.0
3657333	126BNA024****A	CAP**3621A**	368RAN036105	23,400	13.0	16.0
3657337	126BNA024****A	CAP**3621A**	374RAN036105	23,000	13.0	16.0
3657353	126BNA024****A	CAP**3621A**+TDR		23,200	11.5	14.0
3657694	126BNA024****A	CNPF*2418A**+TDR		23,000	11.5	14.0
3657695	126BNA024****A	CNPF*3618A**+TDR		23,200	11.5	14.0
3657710	126BNA024****A	CNPH*2417A**	353(A,B)AV036080	23,000	13.0	16.0
3657723	126BNA024****A	CNPH*2417A**	313*AV024045	23,000	12.5	15.5
3657702	126BNA024****A	CNPH*2417A**	315(A,J)AV036070	22,800	12.5	15.5
3657704	126BNA024****A	CNPH*2417A**	315(A,J)AV048090	22,800	13.0	16.0
3657705	126BNA024****A	CNPH*2417A**	315(A,J)AV060110	22,800	12.5	15.5
3657706	126BNA024****A	CNPH*2417A**	315(A,J)AV066135	22,800	12.5	15.5
3657707	126BNA024****A	CNPH*2417A**	315(A,J)AV066155	22,800	12.5	15.5
3657709	126BNA024****A	CNPH*2417A**	353(A,B)AV036060	23,200	13.0	16.0
3657712	126BNA024****A	CNPH*2417A**	353AAV036040	23,200	13.0	16.0
3657714	126BNA024****A	CNPH*2417A**	355(A,C)AV042060	23,000	12.5	15.5
3657716	126BNA024****A	CNPH*2417A**	355(A,C)AV042080	22,800	12.5	15.5
3657717	126BNA024****A	CNPH*2417A**	355(A,C)AV060080	22,600	12.5	15.5
3657718	126BNA024****A	CNPH*2417A**	355(A,C)AV060100	22,800	12.5	15.5
3657719	126BNA024****A	CNPH*2417A**	355(A,C)AV060120	23,000	13.0	16.0
3657721	126BNA024****A	CNPH*2417A**	355AAV042040	22,800	12.5	15.5
3657729	126BNA024****A	CNPH*2417A**	355BAV042060	23,000	12.5	15.5

See notes on page 37

COMBINATION RATINGS CONTINUED

AHRI Ref. No.	Model Number	Indoor Model	Furnace Model	Capacity	EER	SEER
3657731	126BNA024****A	CNPH*2417A**	355BAV042080	22,800	12.5	15.5
3657732	126BNA024****A	CNPH*2417A**	355BAV060080	22,600	12.5	15.5
3657733	126BNA024****A	CNPH*2417A**	355BAV060100	22,800	12.5	15.5
3657734	126BNA024****A	CNPH*2417A**	355BAV060120	23,000	13.0	16.0
3657725	126BNA024****A	CNPH*2417A**	368RAN036105	23,000	13.0	16.0
3657727	126BNA024****A	CNPH*2417A**	374RAN036105	22,800	12.5	15.5
3657736	126BNA024****A	CNPH*2417A**+TDR		23,000	11.5	14.0
3657749	126BNA024****A	CNPH*3017A**	353(A,B)AV036080	23,400	13.0	16.0
3657766	126BNA024****A	CNPH*3017A**	313*AV024045	23,200	13.0	16.0
3657737	126BNA024****A	CNPH*3017A**	315(A,J)AV036070	23,000	13.0	16.0
3657739	126BNA024****A	CNPH*3017A**	315(A,J)AV048090	23,000	13.0	16.0
3657741	126BNA024****A	CNPH*3017A**	315(A,J)AV060110	23,000	13.0	16.0
3657743	126BNA024****A	CNPH*3017A**	315(A,J)AV066135	23,000	13.0	16.0
3657745	126BNA024****A	CNPH*3017A**	315(A,J)AV066155	23,000	13.0	16.0
3657747	126BNA024****A	CNPH*3017A**	353(A,B)AV036060	23,600	13.0	16.0
3657752	126BNA024****A	CNPH*3017A**	353AAV036040	23,600	13.0	16.0
3657754	126BNA024****A	CNPH*3017A**	355(A,C)AV042060	23,200	13.0	16.0
3657756	126BNA024****A	CNPH*3017A**	355(A,C)AV042080	23,000	13.0	16.0
3657758	126BNA024****A	CNPH*3017A**	355(A,C)AV060080	22,800	13.0	16.0
3657760	126BNA024****A	CNPH*3017A**	355(A,C)AV060100	23,000	13.0	16.0
3657762	126BNA024****A	CNPH*3017A**	355(A,C)AV060120	23,200	13.0	16.0
3657764	126BNA024****A	CNPH*3017A**	355AAV042040	23,000	13.0	16.0
3657773	126BNA024****A	CNPH*3017A**	355BAV042060	23,200	13.0	16.0
3657775	126BNA024****A	CNPH*3017A**	355BAV042080	23,000	13.0	16.0
3657777	126BNA024****A	CNPH*3017A**	355BAV060080	22,800	13.0	16.0
3657779	126BNA024****A	CNPH*3017A**	355BAV060100	23,000	13.0	16.0
3657781	126BNA024****A	CNPH*3017A**	355BAV060120	23,200	13.0	16.0
3657769	126BNA024****A	CNPH*3017A**	368RAN036105	23,200	13.0	16.0
3657771	126BNA024****A	CNPH*3017A**	374RAN036105	23,000	13.0	16.0
3657783	126BNA024****A	CNPH*3017A**+TDR		23,200	11.5	14.0
3657797	126BNA024****A	CNPH*3117A**	353(A,B)AV036080	24,000	13.0	16.0
3657814	126BNA024****A	CNPH*3117A**	313*AV024045	23,800	13.0	16.0
3657785	126BNA024****A	CNPH*3117A**	315(A,J)AV036070	23,400	13.0	16.0
3657787	126BNA024****A	CNPH*3117A**	315(A,J)AV048090	23,400	13.0	16.0
3657789	126BNA024****A	CNPH*3117A**	315(A,J)AV060110	23,400	13.0	16.0
3657791	126BNA024****A	CNPH*3117A**	315(A,J)AV066135	23,400	13.0	16.0
3657793	126BNA024****A	CNPH*3117A**	315(A,J)AV066155	23,400	13.0	16.0
3657795	126BNA024****A	CNPH*3117A**	353(A,B)AV036060	24,000	13.0	16.0
3657800	126BNA024****A	CNPH*3117A**	353AAV036040	24,000	13.0	16.0
3657802	126BNA024****A	CNPH*3117A**	355(A,C)AV042060	23,800	13.0	16.0
3657804	126BNA024****A	CNPH*3117A**	355(A,C)AV042080	23,400	13.0	16.0
3657806	126BNA024****A	CNPH*3117A**	355(A,C)AV060080	23,200	13.0	16.0
3657808	126BNA024****A	CNPH*3117A**	355(A,C)AV060100	23,400	13.0	16.0
3657810	126BNA024****A	CNPH*3117A**	355(A,C)AV060120	23,600	13.0	16.0
3657812	126BNA024****A	CNPH*3117A**	355AAV042040	23,400	13.0	16.0
3657821	126BNA024****A	CNPH*3117A**	355BAV042060	23,800	13.0	16.0
3657823	126BNA024****A	CNPH*3117A**	355BAV042080	23,400	13.0	16.0
3657825	126BNA024****A	CNPH*3117A**	355BAV060080	23,200	13.0	16.0
3657827	126BNA024****A	CNPH*3117A**	355BAV060100	23,400	13.0	16.0
3657829	126BNA024****A	CNPH*3117A**	355BAV060120	23,600	13.0	16.0
3657817	126BNA024****A	CNPH*3117A**	368RAN036105	23,600	13.0	16.0
3657819	126BNA024****A	CNPH*3117A**	374RAN036105	23,400	13.0	16.0
3657831	126BNA024****A	CNPH*3117A**+TDR		23,600	12.0	14.5
3657851	126BNA024****A	CNPH*3617A**	353(A,B)AV036080	23,400	13.0	16.0
3657878	126BNA024****A	CNPH*3617A**	313*AV024045	23,200	13.0	16.0
3657833	126BNA024****A	CNPH*3617A**	315(A,J)AV036070	23,000	13.0	16.0
3657836	126BNA024****A	CNPH*3617A**	315(A,J)AV048090	23,000	13.0	16.0
3657839	126BNA024****A	CNPH*3617A**	315(A,J)AV060110	23,000	13.0	16.0
3657842	126BNA024****A	CNPH*3617A**	315(A,J)AV066135	23,000	13.0	16.0
3657845	126BNA024****A	CNPH*3617A**	315(A,J)AV066155	23,000	13.0	16.0
3657848	126BNA024****A	CNPH*3617A**	353(A,B)AV036060	23,600	13.0	16.0
3657857	126BNA024****A	CNPH*3617A**	353AAV036040	23,600	13.0	16.0
3657860	126BNA024****A	CNPH*3617A**	355(A,C)AV042060	23,200	13.0	16.0
3657863	126BNA024****A	CNPH*3617A**	355(A,C)AV042080	23,000	13.0	16.0
3657866	126BNA024****A	CNPH*3617A**	355(A,C)AV060080	22,800	13.0	16.0
3657869	126BNA024****A	CNPH*3617A**	355(A,C)AV060100	23,000	13.0	16.0
3657872	126BNA024****A	CNPH*3617A**	355(A,C)AV060120	23,200	13.0	16.0
3657875	126BNA024****A	CNPH*3617A**	355AAV042040	23,000	13.0	16.0
3657893	126BNA024****A	CNPH*3617A**	355BAV042060	23,200	13.0	16.0
3657896	126BNA024****A	CNPH*3617A**	355BAV042080	23,000	13.0	16.0
3657899	126BNA024****A	CNPH*3617A**	355BAV060080	22,800	13.0	16.0
3657902	126BNA024****A	CNPH*3617A**	355BAV060100	23,000	13.0	16.0
3657905	126BNA024****A	CNPH*3617A**	355BAV060120	23,200	13.0	16.0
3657885	126BNA024****A	CNPH*3617A**	368RAN036105	23,200	13.0	16.0
3657889	126BNA024****A	CNPH*3617A**	374RAN036105	23,000	13.0	16.0
3657908	126BNA024****A	CNPH*3617A**+TDR		23,200	11.5	14.0
3658186	126BNA024****A	CNPV*1917A**	313*AV024045	23,200	13.0	16.0
3658176	126BNA024****A	CNPV*1917A**	315(A,J)AV036070	23,000	13.0	16.0
3658178	126BNA024****A	CNPV*1917A**	315(A,J)AV048090	23,000	13.0	16.0

See notes on page 37

COMBINATION RATINGS CONTINUED

AHRI Ref. No.	Model Number	Indoor Model	Furnace Model	Capacity	EER	SEER
3658180	126BNA024****A	CNPV*1917A**	353(A,B)AV036060	23,600	13.0	16.0
3658182	126BNA024****A	CNPV*1917A**	353AAV036040	23,600	13.0	16.0
3658184	126BNA024****A	CNPV*1917A**	355(A,C)AV042060	23,400	13.0	16.0
3658190	126BNA024****A	CNPV*1917A**	355BAV042060	23,400	13.0	16.0
3658192	126BNA024****A	CNPV*1917A**+TDR		23,200	11.5	14.0
3658196	126BNA024****A	CNPV*2414A**	313*AV024045	23,000	12.5	15.5
3658194	126BNA024****A	CNPV*2414A**	315(A,J)AV036070	22,800	12.5	15.5
3658198	126BNA024****A	CNPV*2414A**+TDR		23,000	11.5	14.0
3658205	126BNA024****A	CNPV*2417A**	353(A,B)AV036080	23,000	13.0	16.0
3658211	126BNA024****A	CNPV*2417A**	313*AV024045	23,000	12.5	15.5
3658200	126BNA024****A	CNPV*2417A**	315(A,J)AV036070	22,800	12.5	15.5
3658202	126BNA024****A	CNPV*2417A**	315(A,J)AV048090	22,800	13.0	16.0
3658204	126BNA024****A	CNPV*2417A**	353(A,B)AV036060	23,200	13.0	16.0
3658207	126BNA024****A	CNPV*2417A**	353AAV036040	23,200	13.0	16.0
3658209	126BNA024****A	CNPV*2417A**	355(A,C)AV042060	23,000	12.5	15.5
3658217	126BNA024****A	CNPV*2417A**	355BAV042060	23,000	12.5	15.5
3658213	126BNA024****A	CNPV*2417A**	368RAN036105	23,000	13.0	16.0
3658215	126BNA024****A	CNPV*2417A**	374RAN036105	22,800	12.5	15.5
3658219	126BNA024****A	CNPV*2417A**+TDR		23,000	11.5	14.0
3658222	126BNA024****A	CNPV*3014A**	313*AV024045	23,200	12.5	15.5
3658220	126BNA024****A	CNPV*3014A**	315(A,J)AV036070	23,000	13.0	16.0
3658223	126BNA024****A	CNPV*3014A**+TDR		23,000	11.5	14.0
3658231	126BNA024****A	CNPV*3017A**	353(A,B)AV036080	23,400	13.0	16.0
3658238	126BNA024****A	CNPV*3017A**	313*AV024045	23,200	13.0	16.0
3658225	126BNA024****A	CNPV*3017A**	315(A,J)AV036070	23,000	13.0	16.0
3658227	126BNA024****A	CNPV*3017A**	315(A,J)AV048090	23,000	13.0	16.0
3658229	126BNA024****A	CNPV*3017A**	353(A,B)AV036060	23,600	13.0	16.0
3658234	126BNA024****A	CNPV*3017A**	353AAV036040	23,600	13.0	16.0
3658236	126BNA024****A	CNPV*3017A**	355(A,C)AV042060	23,200	13.0	16.0
3658244	126BNA024****A	CNPV*3017A**	355BAV042060	23,200	13.0	16.0
3658240	126BNA024****A	CNPV*3017A**	368RAN036105	23,200	13.0	16.0
3658242	126BNA024****A	CNPV*3017A**	374RAN036105	23,000	13.0	16.0
3658246	126BNA024****A	CNPV*3017A**+TDR		23,200	11.5	14.0
3658254	126BNA024****A	CNPV*3117A**	353(A,B)AV036080	24,000	13.0	16.0
3658261	126BNA024****A	CNPV*3117A**	313*AV024045	23,800	13.0	16.0
3658248	126BNA024****A	CNPV*3117A**	315(A,J)AV036070	23,400	13.0	16.0
3658250	126BNA024****A	CNPV*3117A**	315(A,J)AV048090	23,400	13.0	16.0
3658252	126BNA024****A	CNPV*3117A**	353(A,B)AV036060	24,000	13.0	16.0
3658257	126BNA024****A	CNPV*3117A**	353AAV036040	24,000	13.0	16.0
3658259	126BNA024****A	CNPV*3117A**	355(A,C)AV042060	23,800	13.0	16.0
3658267	126BNA024****A	CNPV*3117A**	355BAV042060	23,800	13.0	16.0
3658263	126BNA024****A	CNPV*3117A**	368RAN036105	23,600	13.0	16.0
3658265	126BNA024****A	CNPV*3117A**	374RAN036105	23,400	13.0	16.0
3658280	126BNA024****A	CNPV*3617A**	353(A,B)AV036080	23,400	13.0	16.0
3658291	126BNA024****A	CNPV*3617A**	313*AV024045	23,200	13.0	16.0
3658271	126BNA024****A	CNPV*3617A**	315(A,J)AV036070	23,000	13.0	16.0
3658274	126BNA024****A	CNPV*3617A**	315(A,J)AV048090	23,000	13.0	16.0
3658277	126BNA024****A	CNPV*3617A**	353(A,B)AV036060	23,600	13.0	16.0
3658285	126BNA024****A	CNPV*3617A**	353AAV036040	23,600	13.0	16.0
3658288	126BNA024****A	CNPV*3617A**	355(A,C)AV042060	23,200	13.0	16.0
3658301	126BNA024****A	CNPV*3617A**	355BAV042060	23,200	13.0	16.0
3658295	126BNA024****A	CNPV*3617A**	368RAN036105	23,200	13.0	16.0
3658298	126BNA024****A	CNPV*3617A**	374RAN036105	23,000	13.0	16.0
3658304	126BNA024****A	CNPV*3617A**+TDR		23,200	11.5	14.0
3658316	126BNA024****A	CNPV*3621A**	353(A,B)AV036080	23,400	13.0	16.0
3658307	126BNA024****A	CNPV*3621A**	315(A,J)AV048090	23,000	13.0	16.0
3658310	126BNA024****A	CNPV*3621A**	315(A,J)AV060110	23,000	13.0	16.0
3658313	126BNA024****A	CNPV*3621A**	353(A,B)AV036060	23,600	13.0	16.0
3658322	126BNA024****A	CNPV*3621A**	353AAV036040	23,600	13.0	16.0
3658325	126BNA024****A	CNPV*3621A**	355(A,C)AV042060	23,200	13.0	16.0
3658328	126BNA024****A	CNPV*3621A**	355(A,C)AV042080	23,000	13.0	16.0
3658331	126BNA024****A	CNPV*3621A**	355(A,C)AV060080	22,800	13.0	16.0
3658334	126BNA024****A	CNPV*3621A**	355(A,C)AV060100	23,000	13.0	16.0
3658350	126BNA024****A	CNPV*3621A**	355BAV042060	23,200	13.0	16.0
3658353	126BNA024****A	CNPV*3621A**	355BAV042080	23,000	13.0	16.0
3658356	126BNA024****A	CNPV*3621A**	355BAV060080	22,800	13.0	16.0
3658359	126BNA024****A	CNPV*3621A**	355BAV060100	23,000	13.0	16.0
3658342	126BNA024****A	CNPV*3621A**	368RAN036105	23,200	13.0	16.0
3658346	126BNA024****A	CNPV*3621A**	374RAN036105	23,000	13.0	16.0
3658362	126BNA024****A	CNPV*3621A**+TDR		23,200	11.5	14.0
3658665	126BNA024****A	CSPH*2412A**	359BAV036040	23,200	12.8	15.2
3658667	126BNA024****A	CSPH*2412A**	359BAV036060	23,200	12.8	15.2
3658675	126BNA024****A	CSPH*2412A**	368RAN036105	23,400	13.0	16.0
3658677	126BNA024****A	CSPH*2412A**	374RAN036105	23,000	12.5	15.5
3658681	126BNA024****A	CSPH*2412A**+TDR		23,200	11.5	14.0
3658696	126BNA024****A	CSPH*3012A**	353(A,B)AV036080	23,400	13.0	16.0
3658713	126BNA024****A	CSPH*3012A**	313*AV024045	23,200	13.0	16.0
3658682	126BNA024****A	CSPH*3012A**	315(A,J)AV036070	23,000	13.0	16.0
3658684	126BNA024****A	CSPH*3012A**	315(A,J)AV048090	23,200	13.0	16.0

See notes on page 37

COMBINATION RATINGS CONTINUED

AHRI Ref. No.	Model Number	Indoor Model	Furnace Model	Capacity	EER	SEER
3658686	126BNA024****A	CSPH*3012A**	315(A,J)AV060110	23,200	13.0	16.0
3658688	126BNA024****A	CSPH*3012A**	315(A,J)AV066135	23,200	13.0	16.0
3658690	126BNA024****A	CSPH*3012A**	315(A,J)AV066155	23,200	13.0	16.0
3658694	126BNA024****A	CSPH*3012A**	353(A,B)AV036060	23,600	13.0	16.0
3658699	126BNA024****A	CSPH*3012A**	353AAV036040	23,600	13.0	16.0
3658701	126BNA024****A	CSPH*3012A**	355(A,C)AV042060	23,400	13.0	16.0
3658703	126BNA024****A	CSPH*3012A**	355(A,C)AV042080	23,000	13.0	16.0
3658705	126BNA024****A	CSPH*3012A**	355(A,C)AV060080	22,800	13.0	16.0
3658707	126BNA024****A	CSPH*3012A**	355(A,C)AV060100	23,000	13.0	16.0
3658709	126BNA024****A	CSPH*3012A**	355(A,C)AV060120	23,200	13.0	16.0
3658711	126BNA024****A	CSPH*3012A**	355AAV042040	23,000	13.0	16.0
3658720	126BNA024****A	CSPH*3012A**	355BAV042060	23,400	13.0	16.0
3658722	126BNA024****A	CSPH*3012A**	355BAV042080	23,000	13.0	16.0
3658724	126BNA024****A	CSPH*3012A**	355BAV060080	22,800	13.0	16.0
3658726	126BNA024****A	CSPH*3012A**	355BAV060100	23,000	13.0	16.0
3658728	126BNA024****A	CSPH*3012A**	355BAV060120	23,200	13.0	16.0
3658716	126BNA024****A	CSPH*3012A**	368RAN036105	23,400	13.0	16.0
3658718	126BNA024****A	CSPH*3012A**	374RAN036105	23,000	13.0	16.0
3658730	126BNA024****A	CSPH*3012A**+TDR		23,200	11.5	14.0
3658756	126BNA024****A	CSPH*3612A**	353(A,B)AV036080	23,800	13.0	16.0
3658783	126BNA024****A	CSPH*3612A**	313*AV024045	23,600	13.0	16.0
3658732	126BNA024****A	CSPH*3612A**	315(A,J)AV036070	23,400	13.0	16.0
3658735	126BNA024****A	CSPH*3612A**	315(A,J)AV048090	23,400	13.0	16.0
3658738	126BNA024****A	CSPH*3612A**	315(A,J)AV060110	23,400	13.0	16.0
3658741	126BNA024****A	CSPH*3612A**	315(A,J)AV066135	23,400	13.0	16.0
3658744	126BNA024****A	CSPH*3612A**	315(A,J)AV066155	23,400	13.0	16.0
3658753	126BNA024****A	CSPH*3612A**	353(A,B)AV036060	24,000	13.0	16.0
3658762	126BNA024****A	CSPH*3612A**	353AAV036040	24,000	13.0	16.0
3658765	126BNA024****A	CSPH*3612A**	355(A,C)AV042060	23,800	13.0	16.0
3658768	126BNA024****A	CSPH*3612A**	355(A,C)AV042080	23,400	13.0	16.0
3658771	126BNA024****A	CSPH*3612A**	355(A,C)AV060080	23,200	13.0	16.0
3658774	126BNA024****A	CSPH*3612A**	355(A,C)AV060100	23,400	13.0	16.0
3658777	126BNA024****A	CSPH*3612A**	355(A,C)AV060120	23,600	13.0	16.0
3658780	126BNA024****A	CSPH*3612A**	355AAV042040	23,400	13.0	16.0
3658798	126BNA024****A	CSPH*3612A**	355BAV042060	23,800	13.0	16.0
3658801	126BNA024****A	CSPH*3612A**	355BAV042080	23,400	13.0	16.0
3658804	126BNA024****A	CSPH*3612A**	355BAV060080	23,200	13.0	16.0
3658807	126BNA024****A	CSPH*3612A**	355BAV060100	23,400	13.0	16.0
3658810	126BNA024****A	CSPH*3612A**	355BAV060120	23,600	13.0	16.0
3658790	126BNA024****A	CSPH*3612A**	368RAN036105	23,600	13.0	16.0
3658794	126BNA024****A	CSPH*3612A**	374RAN036105	23,400	13.0	16.0
3658813	126BNA024****A	CSPH*3612A**+TDR		23,600	11.5	14.0
3659038	126BNA024****A	FE4AN(B,F)003+UI		23,200	13.0	16.0
3659050	126BNA024****A	FE4ANF002+UI		23,200	13.0	16.0
3659059	126BNA024****A	FF1ENP024		22,800	11.5	13.5
3659061	126BNA024****A	FF1ENP025		23,200	12.5	15.0
3659062	126BNA024****A	FF1ENP030		22,800	11.5	13.5
3659064	126BNA024****A	FF1ENP031		23,200	12.5	15.0
3659066	126BNA024****A	FF1ENP036		23,000	11.0	13.5
3659069	126BNA024****A	FF1ENP037		23,400	12.5	15.5
3659072	126BNA024****A	FV4BN(B,F)003		23,200	13.0	16.0
3659084	126BNA024****A	FV4BNF002		23,200	13.0	16.0
3659087	126BNA024****A	FV4CN(B,F)003		23,200	13.0	16.0
3658270	126BNA030****A	†CNPV*3117A**+TDR		28,600	12.0	14.5
3657218	126BNA030****A	CAP**3014A**	315(A,J)AV036070	27,600	13.0	15.2
3657221	126BNA030****A	CAP**3014A**+TDR		28,000	12.0	14.0
3657229	126BNA030****A	CAP**3017A**	353(A,B)AV036080	28,000	13.0	16.0
3657230	126BNA030****A	CAP**3017A**	353(A,B)AV048080	28,200	13.0	15.5
3657236	126BNA030****A	CAP**3017A**	313*AV048070	28,000	12.5	15.0
3657223	126BNA030****A	CAP**3017A**	315(A,J)AV036070	27,800	12.5	15.5
3657225	126BNA030****A	CAP**3017A**	315(A,J)AV048090	27,800	13.0	16.0
3657227	126BNA030****A	CAP**3017A**	353(A,B)AV036060	28,200	13.0	15.5
3657232	126BNA030****A	CAP**3017A**	353AAV036040	28,200	13.0	16.0
3657234	126BNA030****A	CAP**3017A**	355(A,C)AV042060	28,000	13.0	15.5
3657242	126BNA030****A	CAP**3017A**	355BAV042060	28,000	13.0	15.5
3657238	126BNA030****A	CAP**3017A**	368RAN036105	27,800	13.0	15.5
3657240	126BNA030****A	CAP**3017A**	374RAN036105	27,400	13.0	15.5
3657244	126BNA030****A	CAP**3017A**+TDR		28,000	12.0	14.0
3657246	126BNA030****A	CAP**3614A**	315(A,J)AV036070	27,800	12.5	15.5
3657251	126BNA030****A	CAP**3614A**+TDR		28,000	12.0	14.0
3657263	126BNA030****A	CAP**3617A**	353(A,B)AV036080	28,200	13.0	16.0
3657265	126BNA030****A	CAP**3617A**	353(A,B)AV048080	28,400	13.0	16.0
3657275	126BNA030****A	CAP**3617A**	313*AV048070	28,000	12.5	15.2
3657254	126BNA030****A	CAP**3617A**	315(A,J)AV036070	27,800	12.5	15.5
3657257	126BNA030****A	CAP**3617A**	315(A,J)AV048090	27,800	13.0	16.0
3657260	126BNA030****A	CAP**3617A**	353(A,B)AV036060	28,200	13.0	16.0
3657268	126BNA030****A	CAP**3617A**	353AAV036040	28,200	13.0	16.0
3657271	126BNA030****A	CAP**3617A**	355(A,C)AV042060	28,000	13.0	16.0

See notes on page 37

COMBINATION RATINGS CONTINUED

AHRI Ref. No.	Model Number	Indoor Model	Furnace Model	Capacity	EER	SEER
3657284	126BNA030****A	CAP**3617A**	355BAV042060	28,000	13.0	16.0
3657278	126BNA030****A	CAP**3617A**	368RAN036105	27,800	13.0	15.5
3657281	126BNA030****A	CAP**3617A**	374RAN036105	27,600	13.0	15.5
3657287	126BNA030****A	CAP**3617A**+TDR		28,000	12.0	14.0
3657290	126BNA030****A	CAP**3619A**	359BAV036040	28,000	12.5	15.0
3657293	126BNA030****A	CAP**3619A**	359BAV036060	28,200	12.5	15.2
3657296	126BNA030****A	CAP**3619A**+TDR		28,000	11.5	14.0
3657308	126BNA030****A	CAP**3621A**	353(A,B)AV036080	28,200	13.0	16.0
3657310	126BNA030****A	CAP**3621A**	353(A,B)AV048080	28,400	13.0	16.0
3657328	126BNA030****A	CAP**3621A**	313*AV048070	28,000	13.0	15.2
3657330	126BNA030****A	CAP**3621A**	313*AV048090	28,200	13.0	16.0
3657299	126BNA030****A	CAP**3621A**	315(A,J)AV048090	27,800	13.0	16.0
3657302	126BNA030****A	CAP**3621A**	315(A,J)AV060110	27,800	13.0	16.0
3657305	126BNA030****A	CAP**3621A**	353(A,B)AV036060	28,200	13.0	16.0
3657314	126BNA030****A	CAP**3621A**	353AAV036040	28,200	13.0	16.0
3657317	126BNA030****A	CAP**3621A**	355(A,C)AV042060	28,200	13.0	16.0
3657320	126BNA030****A	CAP**3621A**	355(A,C)AV042080	27,600	13.0	16.0
3657323	126BNA030****A	CAP**3621A**	355(A,C)AV060080	27,800	13.0	16.0
3657326	126BNA030****A	CAP**3621A**	355(A,C)AV060100	27,600	13.0	15.5
3657342	126BNA030****A	CAP**3621A**	355BAV042060	28,200	13.0	16.0
3657345	126BNA030****A	CAP**3621A**	355BAV042080	27,600	13.0	16.0
3657348	126BNA030****A	CAP**3621A**	355BAV060080	27,800	13.0	16.0
3657351	126BNA030****A	CAP**3621A**	355BAV060100	27,600	13.0	15.5
3657334	126BNA030****A	CAP**3621A**	368RAN036105	28,000	13.0	15.5
3657338	126BNA030****A	CAP**3621A**	374RAN036105	27,600	13.0	15.5
3657354	126BNA030****A	CAP**3621A**+TDR		28,000	12.0	14.0
3657365	126BNA030****A	CAP**4221A**	353(A,B)AV036080	28,400	13.0	16.0
3657368	126BNA030****A	CAP**4221A**	353(A,B)AV048080	28,600	13.0	16.0
3657388	126BNA030****A	CAP**4221A**	313*AV048070	28,200	12.5	15.5
3657391	126BNA030****A	CAP**4221A**	313*AV048090	28,400	13.0	16.0
3657356	126BNA030****A	CAP**4221A**	315(A,J)AV048090	28,000	13.0	16.0
3657359	126BNA030****A	CAP**4221A**	315(A,J)AV060110	28,000	13.0	16.0
3657362	126BNA030****A	CAP**4221A**	353(A,B)AV036060	28,600	13.0	16.0
3657373	126BNA030****A	CAP**4221A**	353AAV036040	28,400	13.0	16.0
3657376	126BNA030****A	CAP**4221A**	355(A,C)AV042060	28,200	13.0	16.0
3657379	126BNA030****A	CAP**4221A**	355(A,C)AV042080	28,000	13.0	16.0
3657382	126BNA030****A	CAP**4221A**	355(A,C)AV060080	28,000	13.0	16.0
3657385	126BNA030****A	CAP**4221A**	355(A,C)AV060100	27,800	13.0	16.0
3657404	126BNA030****A	CAP**4221A**	355BAV042060	28,200	13.0	16.0
3657407	126BNA030****A	CAP**4221A**	355BAV042080	28,000	13.0	16.0
3657410	126BNA030****A	CAP**4221A**	355BAV060080	28,000	13.0	16.0
3657413	126BNA030****A	CAP**4221A**	355BAV060100	27,800	13.0	16.0
3657396	126BNA030****A	CAP**4221A**	368RAN036105	28,000	13.0	16.0
3657400	126BNA030****A	CAP**4221A**	374RAN036105	27,800	13.0	16.0
3657416	126BNA030****A	CAP**4221A**+TDR		28,200	11.5	14.0
3657446	126BNA030****A	CAP**4224A**	313*AV048090	28,400	13.0	16.0
3657419	126BNA030****A	CAP**4224A**	315(A,J)AV060110	28,200	13.0	16.0
3657422	126BNA030****A	CAP**4224A**	315(A,J)AV066135	28,200	13.0	16.0
3657425	126BNA030****A	CAP**4224A**	315(A,J)AV066155	28,200	13.0	16.0
3657431	126BNA030****A	CAP**4224A**	355(A,C)AV042080	28,000	13.0	16.0
3657434	126BNA030****A	CAP**4224A**	355(A,C)AV060080	28,000	13.0	16.0
3657437	126BNA030****A	CAP**4224A**	355(A,C)AV060100	27,800	13.0	16.0
3657440	126BNA030****A	CAP**4224A**	355(A,C)AV060120	28,000	13.0	16.0
3657443	126BNA030****A	CAP**4224A**	355AAV042040	28,000	13.0	16.0
3657456	126BNA030****A	CAP**4224A**	355BAV042080	28,000	13.0	16.0
3657459	126BNA030****A	CAP**4224A**	355BAV060080	28,000	13.0	16.0
3657462	126BNA030****A	CAP**4224A**	355BAV060100	27,800	13.0	16.0
3657465	126BNA030****A	CAP**4224A**	355BAV060120	28,000	13.0	16.0
3657468	126BNA030****A	CAP**4224A**+TDR		28,200	11.5	14.0
3657696	126BNA030****A	CNPF*3618A**+TDR		28,000	11.5	13.5
3657750	126BNA030****A	CNPH*3017A**	353(A,B)AV036080	28,000	13.0	16.0
3657751	126BNA030****A	CNPH*3017A**	353(A,B)AV048080	28,200	13.0	15.5
3657767	126BNA030****A	CNPH*3017A**	313*AV048070	28,000	12.5	15.0
3657768	126BNA030****A	CNPH*3017A**	313*AV048090	28,000	12.5	15.5
3657738	126BNA030****A	CNPH*3017A**	315(A,J)AV036070	27,800	12.5	15.5
3657740	126BNA030****A	CNPH*3017A**	315(A,J)AV048090	27,800	13.0	15.5
3657742	126BNA030****A	CNPH*3017A**	315(A,J)AV060110	27,800	13.0	15.5
3657744	126BNA030****A	CNPH*3017A**	315(A,J)AV066135	27,800	13.0	16.0
3657746	126BNA030****A	CNPH*3017A**	315(A,J)AV066155	27,800	13.0	16.0
3657748	126BNA030****A	CNPH*3017A**	353(A,B)AV036060	28,200	13.0	15.5
3657753	126BNA030****A	CNPH*3017A**	353AAV036040	28,200	13.0	16.0
3657755	126BNA030****A	CNPH*3017A**	355(A,C)AV042060	28,000	13.0	15.5
3657757	126BNA030****A	CNPH*3017A**	355(A,C)AV042080	27,600	12.5	15.5
3657759	126BNA030****A	CNPH*3017A**	355(A,C)AV060080	27,800	12.5	15.5
3657761	126BNA030****A	CNPH*3017A**	355(A,C)AV060100	27,600	12.5	15.5
3657763	126BNA030****A	CNPH*3017A**	355(A,C)AV060120	27,800	13.0	16.0
3657765	126BNA030****A	CNPH*3017A**	355AAV042040	27,800	12.5	15.5
3657774	126BNA030****A	CNPH*3017A**	355BAV042060	28,000	13.0	15.5
3657776	126BNA030****A	CNPH*3017A**	355BAV042080	27,600	12.5	15.5

See notes on page 37

COMBINATION RATINGS CONTINUED

AHRI Ref. No.	Model Number	Indoor Model	Furnace Model	Capacity	EER	SEER
3657778	126BNA030****A	CNPH*3017A**	355BAV060080	27,800	12.5	15.5
3657780	126BNA030****A	CNPH*3017A**	355BAV060100	27,600	12.5	15.5
3657782	126BNA030****A	CNPH*3017A**	355BAV060120	27,800	13.0	16.0
3657770	126BNA030****A	CNPH*3017A**	368RAN036105	27,800	13.0	15.5
3657772	126BNA030****A	CNPH*3017A**	374RAN036105	27,400	13.0	15.5
3657784	126BNA030****A	CNPH*3017A**+TDR		28,000	12.0	14.0
3657798	126BNA030****A	CNPH*3117A**	353(A,B)AV036080	28,800	13.0	16.0
3657799	126BNA030****A	CNPH*3117A**	353(A,B)AV048080	29,000	13.0	16.0
3657815	126BNA030****A	CNPH*3117A**	313*AV048070	28,600	13.0	16.0
3657816	126BNA030****A	CNPH*3117A**	313*AV048090	28,600	13.0	16.0
3657786	126BNA030****A	CNPH*3117A**	315(A,J)AV036070	28,400	13.0	16.0
3657788	126BNA030****A	CNPH*3117A**	315(A,J)AV048090	28,400	13.0	16.0
3657790	126BNA030****A	CNPH*3117A**	315(A,J)AV060110	28,400	13.0	16.0
3657792	126BNA030****A	CNPH*3117A**	315(A,J)AV066135	28,400	13.0	16.0
3657794	126BNA030****A	CNPH*3117A**	315(A,J)AV066155	28,400	13.0	16.0
3657796	126BNA030****A	CNPH*3117A**	353(A,B)AV036060	28,800	13.0	16.0
3657801	126BNA030****A	CNPH*3117A**	353AAV036040	28,800	13.0	16.0
3657803	126BNA030****A	CNPH*3117A**	355(A,C)AV042060	28,600	13.0	16.0
3657805	126BNA030****A	CNPH*3117A**	355(A,C)AV042080	28,200	13.0	16.0
3657807	126BNA030****A	CNPH*3117A**	355(A,C)AV060080	28,400	13.0	16.0
3657809	126BNA030****A	CNPH*3117A**	355(A,C)AV060100	28,200	13.0	16.0
3657811	126BNA030****A	CNPH*3117A**	355(A,C)AV060120	28,400	13.0	16.0
3657813	126BNA030****A	CNPH*3117A**	355AAV042040	28,400	13.0	16.0
3657822	126BNA030****A	CNPH*3117A**	355BAV042060	28,600	13.0	16.0
3657824	126BNA030****A	CNPH*3117A**	355BAV042080	28,200	13.0	16.0
3657826	126BNA030****A	CNPH*3117A**	355BAV060080	28,400	13.0	16.0
3657828	126BNA030****A	CNPH*3117A**	355BAV060100	28,200	13.0	16.0
3657830	126BNA030****A	CNPH*3117A**	355BAV060120	28,400	13.0	16.0
3657818	126BNA030****A	CNPH*3117A**	368RAN036105	28,400	13.0	16.0
3657820	126BNA030****A	CNPH*3117A**	374RAN036105	28,000	13.0	16.0
3657832	126BNA030****A	CNPH*3117A**+TDR		28,600	12.0	14.5
3657852	126BNA030****A	CNPH*3617A**	353(A,B)AV036080	28,000	13.0	16.0
3657854	126BNA030****A	CNPH*3617A**	353(A,B)AV048080	28,200	13.0	15.5
3657880	126BNA030****A	CNPH*3617A**	313*AV048070	28,000	12.5	15.0
3657882	126BNA030****A	CNPH*3617A**	313*AV048090	28,000	12.5	15.5
3657834	126BNA030****A	CNPH*3617A**	315(A,J)AV036070	27,800	12.5	15.5
3657837	126BNA030****A	CNPH*3617A**	315(A,J)AV048090	27,800	13.0	15.5
3657840	126BNA030****A	CNPH*3617A**	315(A,J)AV060110	27,800	13.0	15.5
3657843	126BNA030****A	CNPH*3617A**	315(A,J)AV066135	27,800	13.0	16.0
3657846	126BNA030****A	CNPH*3617A**	315(A,J)AV066155	27,800	13.0	16.0
3657849	126BNA030****A	CNPH*3617A**	353(A,B)AV036060	28,200	13.0	15.5
3657858	126BNA030****A	CNPH*3617A**	353AAV036040	28,200	13.0	16.0
3657861	126BNA030****A	CNPH*3617A**	355(A,C)AV042060	28,000	13.0	15.5
3657864	126BNA030****A	CNPH*3617A**	355(A,C)AV042080	27,600	12.5	15.5
3657867	126BNA030****A	CNPH*3617A**	355(A,C)AV060080	27,800	12.5	15.5
3657870	126BNA030****A	CNPH*3617A**	355(A,C)AV060100	27,600	12.5	15.5
3657873	126BNA030****A	CNPH*3617A**	355(A,C)AV060120	27,800	13.0	16.0
3657876	126BNA030****A	CNPH*3617A**	355AAV042040	27,800	12.5	15.5
3657894	126BNA030****A	CNPH*3617A**	355BAV042060	28,000	13.0	15.5
3657897	126BNA030****A	CNPH*3617A**	355BAV042080	27,600	12.5	15.5
3657900	126BNA030****A	CNPH*3617A**	355BAV060080	27,800	12.5	15.5
3657903	126BNA030****A	CNPH*3617A**	355BAV060100	27,600	12.5	15.5
3657906	126BNA030****A	CNPH*3617A**	355BAV060120	27,800	13.0	16.0
3657886	126BNA030****A	CNPH*3617A**	368RAN036105	27,800	13.0	15.5
3657890	126BNA030****A	CNPH*3617A**	374RAN036105	27,400	13.0	15.5
3657909	126BNA030****A	CNPH*3617A**+TDR		28,000	12.0	14.0
3657930	126BNA030****A	CNPH*4221A**	353(A,B)AV036080	28,400	13.0	16.0
3657933	126BNA030****A	CNPH*4221A**	353(A,B)AV048080	28,600	13.0	16.0
3657961	126BNA030****A	CNPH*4221A**	313*AV048070	28,200	12.5	15.5
3657964	126BNA030****A	CNPH*4221A**	313*AV048090	28,400	13.0	16.0
3657911	126BNA030****A	CNPH*4221A**	315(A,J)AV036070	28,000	13.0	15.5
3657914	126BNA030****A	CNPH*4221A**	315(A,J)AV048090	28,000	13.0	16.0
3657917	126BNA030****A	CNPH*4221A**	315(A,J)AV060110	28,200	13.0	16.0
3657920	126BNA030****A	CNPH*4221A**	315(A,J)AV066135	28,200	13.0	16.0
3657923	126BNA030****A	CNPH*4221A**	315(A,J)AV066155	28,200	13.0	16.0
3657927	126BNA030****A	CNPH*4221A**	353(A,B)AV036060	28,400	13.0	16.0
3657939	126BNA030****A	CNPH*4221A**	353AAV036040	28,400	13.0	16.0
3657942	126BNA030****A	CNPH*4221A**	355(A,C)AV042060	28,200	13.0	16.0
3657945	126BNA030****A	CNPH*4221A**	355(A,C)AV042080	28,000	13.0	15.5
3657948	126BNA030****A	CNPH*4221A**	355(A,C)AV060080	28,000	13.0	16.0
3657951	126BNA030****A	CNPH*4221A**	355(A,C)AV060100	27,800	13.0	15.5
3657954	126BNA030****A	CNPH*4221A**	355(A,C)AV060120	28,200	13.0	16.0
3657957	126BNA030****A	CNPH*4221A**	355AAV042040	28,000	13.0	15.5
3657978	126BNA030****A	CNPH*4221A**	355BAV042060	28,200	13.0	16.0
3657981	126BNA030****A	CNPH*4221A**	355BAV042080	28,000	13.0	15.5
3657984	126BNA030****A	CNPH*4221A**	355BAV060080	28,000	13.0	16.0
3657987	126BNA030****A	CNPH*4221A**	355BAV060100	27,800	13.0	15.5
3657990	126BNA030****A	CNPH*4221A**	355BAV060120	28,200	13.0	16.0
3657970	126BNA030****A	CNPH*4221A**	368RAN036105	28,000	13.0	15.5

See notes on page 37

COMBINATION RATINGS CONTINUED

AHRI Ref. No.	Model Number	Indoor Model	Furnace Model	Capacity	EER	SEER
3657974	126BNA030****A	CNPH*4221A**	374RAN036105	27,800	13.0	15.5
3657993	126BNA030****A	CNPH*4221A**+TDR		28,200	11.5	14.0
3658221	126BNA030****A	CNPV*3014A**	315(A,J)AV036070	27,800	12.5	15.0
3658224	126BNA030****A	CNPV*3014A**+TDR		28,000	12.0	14.0
3658232	126BNA030****A	CNPV*3017A**	353(A,B)AV036080	28,000	13.0	16.0
3658233	126BNA030****A	CNPV*3017A**	353(A,B)AV048080	28,200	13.0	15.5
3658239	126BNA030****A	CNPV*3017A**	313*AV048070	28,000	12.5	15.0
3658226	126BNA030****A	CNPV*3017A**	315(A,J)AV036070	27,800	12.5	15.5
3658228	126BNA030****A	CNPV*3017A**	315(A,J)AV048090	27,800	13.0	15.5
3658230	126BNA030****A	CNPV*3017A**	353(A,B)AV036060	28,200	13.0	15.5
3658235	126BNA030****A	CNPV*3017A**	353AAV036040	28,200	13.0	16.0
3658237	126BNA030****A	CNPV*3017A**	355(A,C)AV042060	28,000	13.0	15.5
3658245	126BNA030****A	CNPV*3017A**	355BAV042060	28,000	13.0	15.5
3658241	126BNA030****A	CNPV*3017A**	368RAN036105	27,800	13.0	15.5
3658243	126BNA030****A	CNPV*3017A**	374RAN036105	27,400	13.0	15.5
3658247	126BNA030****A	CNPV*3017A**+TDR		28,000	12.0	14.0
3658255	126BNA030****A	CNPV*3117A**	353(A,B)AV036080	28,800	13.0	16.0
3658256	126BNA030****A	CNPV*3117A**	353(A,B)AV048080	29,000	13.0	16.0
3658262	126BNA030****A	CNPV*3117A**	313*AV048070	28,600	13.0	16.0
3658249	126BNA030****A	CNPV*3117A**	315(A,J)AV036070	28,400	13.0	16.0
3658251	126BNA030****A	CNPV*3117A**	315(A,J)AV048090	28,400	13.0	16.0
3658253	126BNA030****A	CNPV*3117A**	353(A,B)AV036060	28,800	13.0	16.0
3658258	126BNA030****A	CNPV*3117A**	353AAV036040	28,800	13.0	16.0
3658260	126BNA030****A	CNPV*3117A**	355(A,C)AV042060	28,600	13.0	16.0
3658268	126BNA030****A	CNPV*3117A**	355BAV042060	28,600	13.0	16.0
3658264	126BNA030****A	CNPV*3117A**	368RAN036105	28,400	13.0	16.0
3658266	126BNA030****A	CNPV*3117A**	374RAN036105	28,000	13.0	16.0
3658281	126BNA030****A	CNPV*3617A**	353(A,B)AV036080	28,000	13.0	16.0
3658283	126BNA030****A	CNPV*3617A**	353(A,B)AV048080	28,200	13.0	15.5
3658293	126BNA030****A	CNPV*3617A**	313*AV048070	28,000	12.5	15.0
3658272	126BNA030****A	CNPV*3617A**	315(A,J)AV036070	27,800	12.5	15.5
3658275	126BNA030****A	CNPV*3617A**	315(A,J)AV048090	27,800	13.0	15.5
3658278	126BNA030****A	CNPV*3617A**	353(A,B)AV036060	28,200	13.0	15.5
3658286	126BNA030****A	CNPV*3617A**	353AAV036040	28,200	13.0	16.0
3658289	126BNA030****A	CNPV*3617A**	355(A,C)AV042060	28,000	13.0	15.5
3658302	126BNA030****A	CNPV*3617A**	355BAV042060	28,000	13.0	15.5
3658296	126BNA030****A	CNPV*3617A**	368RAN036105	27,800	13.0	15.5
3658299	126BNA030****A	CNPV*3617A**	374RAN036105	27,400	13.0	15.5
3658305	126BNA030****A	CNPV*3617A**+TDR		28,000	12.0	14.0
3658317	126BNA030****A	CNPV*3621A**	353(A,B)AV036080	28,000	13.0	16.0
3658319	126BNA030****A	CNPV*3621A**	353(A,B)AV048080	28,200	13.0	15.5
3658337	126BNA030****A	CNPV*3621A**	313*AV048070	28,000	12.5	15.0
3658339	126BNA030****A	CNPV*3621A**	313*AV048090	28,000	12.5	15.5
3658308	126BNA030****A	CNPV*3621A**	315(A,J)AV048090	27,800	13.0	16.0
3658311	126BNA030****A	CNPV*3621A**	315(A,J)AV060110	27,800	13.0	15.5
3658314	126BNA030****A	CNPV*3621A**	353(A,B)AV036060	28,200	13.0	15.5
3658323	126BNA030****A	CNPV*3621A**	353AAV036040	28,200	13.0	16.0
3658326	126BNA030****A	CNPV*3621A**	355(A,C)AV042060	28,000	13.0	15.5
3658329	126BNA030****A	CNPV*3621A**	355(A,C)AV042080	27,600	12.5	15.5
3658332	126BNA030****A	CNPV*3621A**	355(A,C)AV060080	27,800	12.5	15.5
3658335	126BNA030****A	CNPV*3621A**	355(A,C)AV060100	27,600	12.5	15.5
3658351	126BNA030****A	CNPV*3621A**	355BAV042060	28,000	13.0	15.5
3658354	126BNA030****A	CNPV*3621A**	355BAV042080	27,600	12.5	15.5
3658357	126BNA030****A	CNPV*3621A**	355BAV060080	27,800	12.5	15.5
3658360	126BNA030****A	CNPV*3621A**	355BAV060100	27,600	12.5	15.5
3658343	126BNA030****A	CNPV*3621A**	368RAN036105	27,800	13.0	15.5
3658347	126BNA030****A	CNPV*3621A**	374RAN036105	27,400	13.0	15.5
3658363	126BNA030****A	CNPV*3621A**+TDR		28,000	12.0	14.0
3658387	126BNA030****A	CNPV*4217A**	353(A,B)AV036080	28,600	13.0	16.0
3658390	126BNA030****A	CNPV*4217A**	353(A,B)AV048080	28,800	13.0	16.0
3658400	126BNA030****A	CNPV*4217A**	313*AV048070	28,400	13.0	15.5
3658378	126BNA030****A	CNPV*4217A**	315(A,J)AV036070	28,200	13.0	16.0
3658381	126BNA030****A	CNPV*4217A**	315(A,J)AV048090	28,200	13.0	16.0
3658384	126BNA030****A	CNPV*4217A**	353(A,B)AV036060	28,600	13.0	16.0
3658393	126BNA030****A	CNPV*4217A**	353AAV036040	28,600	13.0	16.0
3658396	126BNA030****A	CNPV*4217A**	355(A,C)AV042060	28,400	13.0	16.0
3658407	126BNA030****A	CNPV*4217A**	355BAV042060	28,400	13.0	16.0
3658403	126BNA030****A	CNPV*4217A**	368RAN036105	28,200	13.0	16.0
3658405	126BNA030****A	CNPV*4217A**	374RAN036105	28,000	13.0	16.0
3658410	126BNA030****A	CNPV*4217A**+TDR		28,400	11.5	14.0
3658422	126BNA030****A	CNPV*4221A**	353(A,B)AV036080	28,400	13.0	16.0
3658425	126BNA030****A	CNPV*4221A**	353(A,B)AV048080	28,600	13.0	16.0
3658445	126BNA030****A	CNPV*4221A**	313*AV048070	28,200	12.5	15.5
3658448	126BNA030****A	CNPV*4221A**	313*AV048090	28,400	13.0	16.0
3658413	126BNA030****A	CNPV*4221A**	315(A,J)AV048090	28,000	13.0	16.0
3658416	126BNA030****A	CNPV*4221A**	315(A,J)AV060110	28,200	13.0	16.0
3658419	126BNA030****A	CNPV*4221A**	353(A,B)AV036060	28,400	13.0	16.0
3658430	126BNA030****A	CNPV*4221A**	353AAV036040	28,400	13.0	16.0
3658433	126BNA030****A	CNPV*4221A**	355(A,C)AV042060	28,200	13.0	16.0

See notes on page 37

126B

COMBINATION RATINGS CONTINUED

AHRI Ref. No.	Model Number	Indoor Model	Furnace Model	Capacity	EER	SEER
3658436	126BNA030****A	CNPV*4221A**	355(A,C)AV042080	28,000	13.0	15.5
3658439	126BNA030****A	CNPV*4221A**	355(A,C)AV060080	28,000	13.0	16.0
3658442	126BNA030****A	CNPV*4221A**	355(A,C)AV060100	27,800	13.0	15.5
3658461	126BNA030****A	CNPV*4221A**	355BAV042060	28,200	13.0	16.0
3658464	126BNA030****A	CNPV*4221A**	355BAV042080	28,000	13.0	15.5
3658467	126BNA030****A	CNPV*4221A**	355BAV060080	28,000	13.0	16.0
3658470	126BNA030****A	CNPV*4221A**	355BAV060100	27,800	13.0	15.5
3658453	126BNA030****A	CNPV*4221A**	368RAN036105	28,000	13.0	15.5
3658457	126BNA030****A	CNPV*4221A**	374RAN036105	27,800	13.0	15.5
3658473	126BNA030****A	CNPV*4221A** + TDR		28,200	11.5	14.0
3658697	126BNA030****A	CSPH*3012A**	353(A,B)AV036080	28,200	13.0	15.5
3658698	126BNA030****A	CSPH*3012A**	353(A,B)AV048080	28,200	13.0	15.5
3658714	126BNA030****A	CSPH*3012A**	313*AV048070	28,000	12.5	15.0
3658715	126BNA030****A	CSPH*3012A**	313*AV048090	28,000	12.5	15.5
3658683	126BNA030****A	CSPH*3012A**	315(A,J)AV036070	27,800	12.5	15.5
3658685	126BNA030****A	CSPH*3012A**	315(A,J)AV048090	28,000	13.0	15.5
3658687	126BNA030****A	CSPH*3012A**	315(A,J)AV060110	28,000	13.0	15.5
3658689	126BNA030****A	CSPH*3012A**	315(A,J)AV066135	28,000	13.0	15.5
3658691	126BNA030****A	CSPH*3012A**	315(A,J)AV066155	28,000	13.0	16.0
3658695	126BNA030****A	CSPH*3012A**	353(A,B)AV036060	28,200	13.0	15.5
3658700	126BNA030****A	CSPH*3012A**	353AAV036040	28,200	13.0	16.0
3658702	126BNA030****A	CSPH*3012A**	355(A,C)AV042060	28,000	13.0	15.5
3658704	126BNA030****A	CSPH*3012A**	355(A,C)AV042080	27,800	12.5	15.5
3658706	126BNA030****A	CSPH*3012A**	355(A,C)AV060080	28,000	12.5	15.5
3658708	126BNA030****A	CSPH*3012A**	355(A,C)AV060100	27,600	12.5	15.5
3658710	126BNA030****A	CSPH*3012A**	355(A,C)AV060120	28,000	13.0	15.5
3658712	126BNA030****A	CSPH*3012A**	355AAV042040	27,800	12.5	15.0
3658721	126BNA030****A	CSPH*3012A**	355BAV042060	28,000	13.0	15.5
3658723	126BNA030****A	CSPH*3012A**	355BAV042080	27,800	12.5	15.5
3658725	126BNA030****A	CSPH*3012A**	355BAV060080	28,000	12.5	15.5
3658727	126BNA030****A	CSPH*3012A**	355BAV060100	27,600	12.5	15.5
3658729	126BNA030****A	CSPH*3012A**	355BAV060120	28,000	13.0	15.5
3658692	126BNA030****A	CSPH*3012A**	359BAV036040	27,800	12.5	14.5
3658693	126BNA030****A	CSPH*3012A**	359BAV036060	28,000	12.5	15.0
3658717	126BNA030****A	CSPH*3012A**	368RAN036105	28,000	13.0	15.5
3658719	126BNA030****A	CSPH*3012A**	374RAN036105	27,600	13.0	15.5
3658731	126BNA030****A	CSPH*3012A** + TDR		28,200	11.5	14.0
3658757	126BNA030****A	CSPH*3612A**	353(A,B)AV036080	28,600	13.0	16.0
3658759	126BNA030****A	CSPH*3612A**	353(A,B)AV048080	28,800	13.0	16.0
3658785	126BNA030****A	CSPH*3612A**	313*AV048070	28,600	13.0	15.5
3658787	126BNA030****A	CSPH*3612A**	313*AV048090	28,600	13.0	16.0
3658733	126BNA030****A	CSPH*3612A**	315(A,J)AV036070	28,200	13.0	16.0
3658736	126BNA030****A	CSPH*3612A**	315(A,J)AV048090	28,400	13.0	16.0
3658739	126BNA030****A	CSPH*3612A**	315(A,J)AV060110	28,400	13.0	16.0
3658742	126BNA030****A	CSPH*3612A**	315(A,J)AV066135	28,400	13.0	16.0
3658745	126BNA030****A	CSPH*3612A**	315(A,J)AV066155	28,400	13.0	16.0
3658754	126BNA030****A	CSPH*3612A**	353(A,B)AV036060	28,800	13.0	16.0
3658763	126BNA030****A	CSPH*3612A**	353AAV036040	28,800	13.0	16.0
3658766	126BNA030****A	CSPH*3612A**	355(A,C)AV042060	28,400	13.0	16.0
3658769	126BNA030****A	CSPH*3612A**	355(A,C)AV042080	28,200	13.0	16.0
3658772	126BNA030****A	CSPH*3612A**	355(A,C)AV060080	28,400	13.0	16.0
3658775	126BNA030****A	CSPH*3612A**	355(A,C)AV060100	28,200	13.0	16.0
3658778	126BNA030****A	CSPH*3612A**	355(A,C)AV060120	28,400	13.0	16.0
3658781	126BNA030****A	CSPH*3612A**	355AAV042040	28,200	13.0	16.0
3658799	126BNA030****A	CSPH*3612A**	355BAV042060	28,400	13.0	16.0
3658802	126BNA030****A	CSPH*3612A**	355BAV042080	28,200	13.0	16.0
3658805	126BNA030****A	CSPH*3612A**	355BAV060080	28,400	13.0	16.0
3658808	126BNA030****A	CSPH*3612A**	355BAV060100	28,200	13.0	16.0
3658811	126BNA030****A	CSPH*3612A**	355BAV060120	28,400	13.0	16.0
3658747	126BNA030****A	CSPH*3612A**	359BAV036040	28,400	12.5	15.0
3658749	126BNA030****A	CSPH*3612A**	359BAV036060	28,600	12.5	15.0
3658791	126BNA030****A	CSPH*3612A**	368RAN036105	28,400	13.0	16.0
3658795	126BNA030****A	CSPH*3612A**	374RAN036105	28,000	13.0	16.0
3658814	126BNA030****A	CSPH*3612A** + TDR		28,600	12.0	14.0
3658840	126BNA030****A	CSPH*4212A**	353(A,B)AV036080	28,800	13.0	16.0
3658843	126BNA030****A	CSPH*4212A**	353(A,B)AV048080	29,000	13.0	16.0
3658871	126BNA030****A	CSPH*4212A**	313*AV048070	28,600	13.0	16.0
3658874	126BNA030****A	CSPH*4212A**	313*AV048090	28,800	13.0	16.0
3658816	126BNA030****A	CSPH*4212A**	315(A,J)AV036070	28,400	13.0	16.0
3658819	126BNA030****A	CSPH*4212A**	315(A,J)AV048090	28,400	13.0	16.0
3658822	126BNA030****A	CSPH*4212A**	315(A,J)AV060110	28,600	13.0	16.0
3658825	126BNA030****A	CSPH*4212A**	315(A,J)AV066135	28,600	13.0	16.0
3658828	126BNA030****A	CSPH*4212A**	315(A,J)AV066155	28,600	13.0	16.0
3658837	126BNA030****A	CSPH*4212A**	353(A,B)AV036060	29,000	13.0	16.0
3658849	126BNA030****A	CSPH*4212A**	353AAV036040	29,000	13.0	16.0
3658852	126BNA030****A	CSPH*4212A**	355(A,C)AV042060	28,600	13.0	16.0
3658855	126BNA030****A	CSPH*4212A**	355(A,C)AV042080	28,400	13.0	16.0
3658858	126BNA030****A	CSPH*4212A**	355(A,C)AV060080	28,400	13.0	16.0
3658861	126BNA030****A	CSPH*4212A**	355(A,C)AV060100	28,200	13.0	16.0

See notes on page 37

COMBINATION RATINGS CONTINUED

AHRI Ref. No.	Model Number	Indoor Model	Furnace Model	Capacity	EER	SEER
3658864	126BNA030****A	CSPH*4212A**	355(A,C)AV060120	28,600	13.0	16.0
3658867	126BNA030****A	CSPH*4212A**	355AAV042040	28,400	13.0	16.0
3658888	126BNA030****A	CSPH*4212A**	355BAV042060	28,600	13.0	16.0
3658891	126BNA030****A	CSPH*4212A**	355BAV042080	28,400	13.0	16.0
3658894	126BNA030****A	CSPH*4212A**	355BAV060080	28,400	13.0	16.0
3658897	126BNA030****A	CSPH*4212A**	355BAV060100	28,200	13.0	16.0
3658900	126BNA030****A	CSPH*4212A**	355BAV060120	28,600	13.0	16.0
3658880	126BNA030****A	CSPH*4212A**	368RAN036105	28,600	13.0	16.0
3658884	126BNA030****A	CSPH*4212A**	374RAN036105	28,200	13.0	16.0
3658903	126BNA030****A	CSPH*4212A**+TDR		28,600	12.0	14.0
3659039	126BNA030****A	FE4AN(B,F)003+UI		28,200	13.0	16.0
3659042	126BNA030****A	FE4AN(B,F)005+UI		28,800	13.0	16.5
3659051	126BNA030****A	FE4ANF002+UI		28,000	13.0	16.0
3659053	126BNA030****A	FE5ANB004+UI		29,000	13.0	16.5
3659063	126BNA030****A	FF1ENP030		27,600	12.0	14.0
3659065	126BNA030****A	FF1ENP031		28,200	12.5	15.0
3659067	126BNA030****A	FF1ENP036		28,000	12.0	14.0
3659070	126BNA030****A	FF1ENP037		28,200	12.5	15.0
3659073	126BNA030****A	FV4BN(B,F)003		28,200	13.0	16.0
3659076	126BNA030****A	FV4BN(B,F)005		28,800	13.0	16.0
3659085	126BNA030****A	FV4BNF002		28,000	13.0	16.0
3659088	126BNA030****A	FV4CN(B,F)003		28,200	13.0	16.0
3658377	126BNA036****A	†CNPV*3717A**+TDR		34,400	12.0	14.5
3657249	126BNA036****A	CAP**3614A**	313*AV024045	32,600	11.5	14.0
3657247	126BNA036****A	CAP**3614A**	315(A,J)AV036070	32,800	12.0	15.0
3657252	126BNA036****A	CAP**3614A**+TDR		32,800	11.5	14.0
3657264	126BNA036****A	CAP**3617A**	353(A,B)AV036080	33,000	12.5	15.0
3657266	126BNA036****A	CAP**3617A**	353(A,B)AV048080	33,200	12.5	15.0
3657274	126BNA036****A	CAP**3617A**	313*AV024045	32,800	12.0	14.5
3657276	126BNA036****A	CAP**3617A**	313*AV048070	33,000	12.0	15.0
3657255	126BNA036****A	CAP**3617A**	315(A,J)AV036070	32,800	12.0	15.0
3657258	126BNA036****A	CAP**3617A**	315(A,J)AV048090	33,000	12.5	15.5
3657261	126BNA036****A	CAP**3617A**	353(A,B)AV036060	33,200	12.5	15.0
3657269	126BNA036****A	CAP**3617A**	353AAV036040	33,200	12.5	15.5
3657272	126BNA036****A	CAP**3617A**	355(A,C)AV042060	33,000	12.5	15.0
3657285	126BNA036****A	CAP**3617A**	355BAV042060	33,000	12.5	15.0
3657279	126BNA036****A	CAP**3617A**	368RAN036105	33,000	12.0	15.0
3657282	126BNA036****A	CAP**3617A**	374RAN036105	32,600	12.0	15.0
3657288	126BNA036****A	CAP**3617A**+TDR		33,000	11.5	14.0
3657291	126BNA036****A	CAP**3619A**	359BAV036040	32,800	11.5	14.5
3657294	126BNA036****A	CAP**3619A**	359BAV036060	33,000	12.0	14.5
3657297	126BNA036****A	CAP**3619A**+TDR		33,000	11.5	14.0
3657309	126BNA036****A	CAP**3621A**	353(A,B)AV036080	33,200	12.5	15.5
3657311	126BNA036****A	CAP**3621A**	353(A,B)AV048080	33,200	12.5	15.0
3657329	126BNA036****A	CAP**3621A**	313*AV048070	33,000	12.0	15.0
3657331	126BNA036****A	CAP**3621A**	313*AV048090	33,200	12.5	15.5
3657332	126BNA036****A	CAP**3621A**	313*AV060110	33,400	12.5	15.5
3657300	126BNA036****A	CAP**3621A**	315(A,J)AV048090	33,000	12.5	15.5
3657303	126BNA036****A	CAP**3621A**	315(A,J)AV060110	33,000	12.5	15.5
3657306	126BNA036****A	CAP**3621A**	353(A,B)AV036060	33,400	12.5	15.5
3657312	126BNA036****A	CAP**3621A**	353(A,B)AV060100	33,200	13.0	16.0
3657315	126BNA036****A	CAP**3621A**	353AAV036040	33,200	12.5	15.5
3657318	126BNA036****A	CAP**3621A**	355(A,C)AV042060	33,000	12.5	15.5
3657321	126BNA036****A	CAP**3621A**	355(A,C)AV042080	33,000	12.0	15.0
3657324	126BNA036****A	CAP**3621A**	355(A,C)AV060080	32,800	12.5	15.0
3657327	126BNA036****A	CAP**3621A**	355(A,C)AV060100	33,000	12.5	15.5
3657343	126BNA036****A	CAP**3621A**	355BAV042060	33,000	12.5	15.5
3657346	126BNA036****A	CAP**3621A**	355BAV042080	33,000	12.0	15.0
3657349	126BNA036****A	CAP**3621A**	355BAV060080	32,800	12.5	15.0
3657352	126BNA036****A	CAP**3621A**	355BAV060100	33,000	12.5	15.5
3657335	126BNA036****A	CAP**3621A**	368RAN036105	33,000	12.0	15.0
3657336	126BNA036****A	CAP**3621A**	368RAN060120	33,000	12.5	15.5
3657339	126BNA036****A	CAP**3621A**	374RAN036105	32,800	12.5	15.0
3657340	126BNA036****A	CAP**3621A**	374RAN060120	32,800	12.5	15.5
3657355	126BNA036****A	CAP**3621A**+TDR		33,000	11.5	14.0
3657366	126BNA036****A	CAP**4221A**	353(A,B)AV036080	33,400	12.5	15.5
3657369	126BNA036****A	CAP**4221A**	353(A,B)AV048080	33,400	12.5	15.5
3657389	126BNA036****A	CAP**4221A**	313*AV048070	33,200	12.0	15.0
3657392	126BNA036****A	CAP**4221A**	313*AV048090	33,400	13.0	16.0
3657394	126BNA036****A	CAP**4221A**	313*AV060110	33,600	13.0	16.0
3657357	126BNA036****A	CAP**4221A**	315(A,J)AV048090	33,200	12.5	15.5
3657360	126BNA036****A	CAP**4221A**	315(A,J)AV060110	33,200	12.5	15.5
3657363	126BNA036****A	CAP**4221A**	353(A,B)AV036060	33,600	12.5	15.5
3657371	126BNA036****A	CAP**4221A**	353(A,B)AV060100	33,400	13.0	16.0
3657374	126BNA036****A	CAP**4221A**	353AAV036040	33,400	12.5	15.5
3657377	126BNA036****A	CAP**4221A**	355(A,C)AV042060	33,400	12.5	15.5
3657380	126BNA036****A	CAP**4221A**	355(A,C)AV042080	33,200	12.5	15.0
3657383	126BNA036****A	CAP**4221A**	355(A,C)AV060080	33,200	12.5	15.5

See notes on page 37

COMBINATION RATINGS CONTINUED

AHRI Ref. No.	Model Number	Indoor Model	Furnace Model	Capacity	EER	SEER
3657386	126BNA036****A	CAP**4221A**	355(A,C)AV060100	33,200	12.5	15.5
3657405	126BNA036****A	CAP**4221A**	355BAV042060	33,400	12.5	15.5
3657408	126BNA036****A	CAP**4221A**	355BAV042080	33,200	12.5	15.0
3657411	126BNA036****A	CAP**4221A**	355BAV060080	33,200	12.5	15.5
3657414	126BNA036****A	CAP**4221A**	355BAV060100	33,200	12.5	15.5
3657397	126BNA036****A	CAP**4221A**	368RAN036105	33,200	12.5	15.0
3657398	126BNA036****A	CAP**4221A**	368RAN060120	33,200	13.0	16.0
3657401	126BNA036****A	CAP**4221A**	374RAN036105	33,000	12.5	15.0
3657402	126BNA036****A	CAP**4221A**	374RAN060120	33,000	12.5	15.5
3657417	126BNA036****A	CAP**4221A**+TDR		33,400	11.5	14.0
3657447	126BNA036****A	CAP**4224A**	313*AV048090	33,600	13.0	16.0
3657449	126BNA036****A	CAP**4224A**	313*AV060110	33,600	13.0	16.0
3657420	126BNA036****A	CAP**4224A**	315(A,J)AV060110	33,200	13.0	15.5
3657423	126BNA036****A	CAP**4224A**	315(A,J)AV066135	33,200	13.0	16.0
3657426	126BNA036****A	CAP**4224A**	315(A,J)AV066155	33,400	13.0	16.0
3657428	126BNA036****A	CAP**4224A**	353(A,B)AV060100	33,400	13.0	16.0
3657432	126BNA036****A	CAP**4224A**	355(A,C)AV042080	33,200	12.5	15.0
3657435	126BNA036****A	CAP**4224A**	355(A,C)AV060080	33,200	12.5	15.5
3657438	126BNA036****A	CAP**4224A**	355(A,C)AV060100	33,200	12.5	15.5
3657441	126BNA036****A	CAP**4224A**	355(A,C)AV060120	33,200	13.0	16.0
3657444	126BNA036****A	CAP**4224A**	355AAV042040	33,000	12.5	15.0
3657457	126BNA036****A	CAP**4224A**	355BAV042080	33,200	12.5	15.0
3657460	126BNA036****A	CAP**4224A**	355BAV060080	33,200	12.5	15.5
3657463	126BNA036****A	CAP**4224A**	355BAV060100	33,200	12.5	15.5
3657466	126BNA036****A	CAP**4224A**	355BAV060120	33,200	13.0	16.0
3657452	126BNA036****A	CAP**4224A**	368RAN060120	33,200	13.0	16.0
3657454	126BNA036****A	CAP**4224A**	374RAN060120	33,000	12.5	15.5
3657469	126BNA036****A	CAP**4224A**+TDR		33,400	11.5	14.0
3657478	126BNA036****A	CAP**4817A**	353(A,B)AV036080	34,000	13.0	16.0
3657480	126BNA036****A	CAP**4817A**	353(A,B)AV048080	34,200	13.0	16.0
3657487	126BNA036****A	CAP**4817A**	313*AV024045	33,800	12.0	14.5
3657488	126BNA036****A	CAP**4817A**	313*AV048070	33,800	12.0	15.0
3657471	126BNA036****A	CAP**4817A**	315(A,J)AV036070	33,600	12.5	15.5
3657473	126BNA036****A	CAP**4817A**	315(A,J)AV048090	33,800	13.0	16.0
3657476	126BNA036****A	CAP**4817A**	353(A,B)AV036060	34,200	13.0	16.0
3657483	126BNA036****A	CAP**4817A**	353AAV036040	34,000	13.0	16.0
3657485	126BNA036****A	CAP**4817A**	355(A,C)AV042060	34,000	13.0	16.0
3657492	126BNA036****A	CAP**4817A**	355BAV042060	34,000	13.0	16.0
3657490	126BNA036****A	CAP**4817A**	368RAN036105	34,000	12.5	15.5
3657491	126BNA036****A	CAP**4817A**	374RAN036105	33,600	12.5	15.5
3657494	126BNA036****A	CAP**4817A**+TDR		34,000	11.5	14.0
3657505	126BNA036****A	CAP**4821A**	353(A,B)AV036080	33,800	13.0	16.0
3657507	126BNA036****A	CAP**4821A**	353(A,B)AV048080	34,000	13.0	15.5
3657525	126BNA036****A	CAP**4821A**	313*AV048070	33,600	12.0	15.0
3657527	126BNA036****A	CAP**4821A**	313*AV048090	34,000	13.0	16.0
3657530	126BNA036****A	CAP**4821A**	313*AV060110	34,000	13.0	16.0
3657497	126BNA036****A	CAP**4821A**	315(A,J)AV048090	33,600	13.0	16.0
3657500	126BNA036****A	CAP**4821A**	315(A,J)AV060110	33,600	13.0	16.0
3657503	126BNA036****A	CAP**4821A**	353(A,B)AV036060	34,000	13.0	16.0
3657510	126BNA036****A	CAP**4821A**	353(A,B)AV060100	33,800	13.0	16.0
3657513	126BNA036****A	CAP**4821A**	353AAV036040	33,800	13.0	16.0
3657515	126BNA036****A	CAP**4821A**	355(A,C)AV042060	33,800	13.0	15.5
3657517	126BNA036****A	CAP**4821A**	355(A,C)AV042080	33,600	12.5	15.5
3657519	126BNA036****A	CAP**4821A**	355(A,C)AV060080	33,600	12.5	15.5
3657522	126BNA036****A	CAP**4821A**	355(A,C)AV060100	33,600	13.0	15.5
3657541	126BNA036****A	CAP**4821A**	355BAV042060	33,800	13.0	15.5
3657543	126BNA036****A	CAP**4821A**	355BAV042080	33,600	12.5	15.5
3657545	126BNA036****A	CAP**4821A**	355BAV060080	33,600	12.5	15.5
3657548	126BNA036****A	CAP**4821A**	355BAV060100	33,600	13.0	15.5
3657533	126BNA036****A	CAP**4821A**	368RAN036105	33,800	12.5	15.5
3657534	126BNA036****A	CAP**4821A**	368RAN060120	33,600	13.0	16.0
3657537	126BNA036****A	CAP**4821A**	374RAN036105	33,400	12.5	15.5
3657538	126BNA036****A	CAP**4821A**	374RAN060120	33,000	12.5	15.5
3657551	126BNA036****A	CAP**4821A**+TDR		33,800	11.5	14.0
3657554	126BNA036****A	CAP**4823A**	359BAV036060	33,800	12.0	15.0
3657555	126BNA036****A	CAP**4823A**	359BAV060080	34,200	12.5	15.0
3657558	126BNA036****A	CAP**4823A**+TDR		33,800	11.5	14.0
3657588	126BNA036****A	CAP**4824A**	313*AV048090	34,000	13.0	16.0
3657591	126BNA036****A	CAP**4824A**	313*AV060110	34,200	13.0	16.0
3657561	126BNA036****A	CAP**4824A**	315(A,J)AV060110	33,600	13.0	16.0
3657564	126BNA036****A	CAP**4824A**	315(A,J)AV066135	33,600	13.0	16.0
3657567	126BNA036****A	CAP**4824A**	315(A,J)AV066155	33,800	13.0	16.0
3657570	126BNA036****A	CAP**4824A**	353(A,B)AV060100	33,800	13.0	16.0
3657575	126BNA036****A	CAP**4824A**	355(A,C)AV042080	33,600	12.5	15.5
3657577	126BNA036****A	CAP**4824A**	355(A,C)AV060080	33,600	13.0	15.5
3657580	126BNA036****A	CAP**4824A**	355(A,C)AV060100	33,800	13.0	16.0
3657583	126BNA036****A	CAP**4824A**	355(A,C)AV060120	33,600	13.0	16.0
3657586	126BNA036****A	CAP**4824A**	355AAV042040	33,400	12.5	15.5
3657602	126BNA036****A	CAP**4824A**	355BAV042080	33,600	12.5	15.5

See notes on page 37

COMBINATION RATINGS CONTINUED

AHRI Ref. No.	Model Number	Indoor Model	Furnace Model	Capacity	EER	SEER
3657604	126BNA036****A	CAP**4824A**	355BAV060080	33,600	13.0	15.5
3657607	126BNA036****A	CAP**4824A**	355BAV060100	33,800	13.0	16.0
3657610	126BNA036****A	CAP**4824A**	355BAV060120	33,600	13.0	16.0
3657596	126BNA036****A	CAP**4824A**	368RAN060120	33,600	13.0	16.0
3657599	126BNA036****A	CAP**4824A**	374RAN060120	33,600	13.0	16.0
3657613	126BNA036****A	CAP**4824A**+TDR		33,800	11.5	14.0
3657697	126BNA036****A	CNPF*3618A**+TDR		33,000	11.0	13.5
3657698	126BNA036****A	CNPF*4818A**+TDR		33,800	11.5	14.0
3657853	126BNA036****A	CNPH*3617A**	353(A,B)AV036080	33,000	12.5	15.0
3657855	126BNA036****A	CNPH*3617A**	353(A,B)AV048080	33,000	12.0	15.0
3657879	126BNA036****A	CNPH*3617A**	313*AV024045	32,800	12.0	14.5
3657881	126BNA036****A	CNPH*3617A**	313*AV048070	32,800	12.0	14.5
3657883	126BNA036****A	CNPH*3617A**	313*AV048090	33,000	12.5	15.0
3657884	126BNA036****A	CNPH*3617A**	313*AV060110	33,000	12.5	15.5
3657835	126BNA036****A	CNPH*3617A**	315(A,J)AV036070	32,800	12.0	15.0
3657838	126BNA036****A	CNPH*3617A**	315(A,J)AV048090	32,800	12.5	15.0
3657841	126BNA036****A	CNPH*3617A**	315(A,J)AV060110	32,800	12.5	15.0
3657844	126BNA036****A	CNPH*3617A**	315(A,J)AV066135	32,800	12.5	15.0
3657847	126BNA036****A	CNPH*3617A**	315(A,J)AV066155	33,000	12.5	15.5
3657850	126BNA036****A	CNPH*3617A**	353(A,B)AV036060	33,000	12.0	15.0
3657856	126BNA036****A	CNPH*3617A**	353(A,B)AV060100	32,800	12.5	15.5
3657859	126BNA036****A	CNPH*3617A**	353AAV036040	33,000	12.5	15.0
3657862	126BNA036****A	CNPH*3617A**	355(A,C)AV042060	33,000	12.0	15.0
3657865	126BNA036****A	CNPH*3617A**	355(A,C)AV042080	32,800	12.0	14.5
3657868	126BNA036****A	CNPH*3617A**	355(A,C)AV060080	32,800	12.0	15.0
3657871	126BNA036****A	CNPH*3617A**	355(A,C)AV060100	33,000	12.0	15.0
3657874	126BNA036****A	CNPH*3617A**	355(A,C)AV060120	32,800	12.5	15.0
3657877	126BNA036****A	CNPH*3617A**	355AAV042040	32,600	12.0	14.5
3657895	126BNA036****A	CNPH*3617A**	355BAV042060	33,000	12.0	15.0
3657898	126BNA036****A	CNPH*3617A**	355BAV042080	32,800	12.0	14.5
3657901	126BNA036****A	CNPH*3617A**	355BAV060080	32,800	12.0	15.0
3657904	126BNA036****A	CNPH*3617A**	355BAV060100	33,000	12.0	15.0
3657907	126BNA036****A	CNPH*3617A**	355BAV060120	32,800	12.5	15.0
3657887	126BNA036****A	CNPH*3617A**	368RAN036105	33,000	12.0	15.0
3657888	126BNA036****A	CNPH*3617A**	368RAN060120	32,800	12.5	15.5
3657891	126BNA036****A	CNPH*3617A**	374RAN036105	32,600	12.0	15.0
3657892	126BNA036****A	CNPH*3617A**	374RAN060120	32,800	12.0	15.0
3657910	126BNA036****A	CNPH*3617A**+TDR		33,000	11.5	14.0
3657931	126BNA036****A	CNPH*4221A**	353(A,B)AV036080	33,400	12.5	15.5
3657934	126BNA036****A	CNPH*4221A**	353(A,B)AV048080	33,400	12.5	15.5
3657960	126BNA036****A	CNPH*4221A**	313*AV024045	33,200	12.0	14.5
3657962	126BNA036****A	CNPH*4221A**	313*AV048070	33,200	12.0	15.0
3657965	126BNA036****A	CNPH*4221A**	313*AV048090	33,400	12.5	15.5
3657967	126BNA036****A	CNPH*4221A**	313*AV060110	33,600	13.0	16.0
3657912	126BNA036****A	CNPH*4221A**	315(A,J)AV036070	33,000	12.0	15.0
3657915	126BNA036****A	CNPH*4221A**	315(A,J)AV048090	33,200	12.5	15.5
3657918	126BNA036****A	CNPH*4221A**	315(A,J)AV060110	33,200	12.5	15.5
3657921	126BNA036****A	CNPH*4221A**	315(A,J)AV066135	33,200	12.5	15.5
3657925	126BNA036****A	CNPH*4221A**	315(A,J)AV066155	33,400	13.0	16.0
3657928	126BNA036****A	CNPH*4221A**	353(A,B)AV036060	33,400	12.5	15.5
3657936	126BNA036****A	CNPH*4221A**	353(A,B)AV060100	33,200	13.0	16.0
3657940	126BNA036****A	CNPH*4221A**	353AAV036040	33,400	12.5	15.5
3657943	126BNA036****A	CNPH*4221A**	355(A,C)AV042060	33,400	12.5	15.0
3657946	126BNA036****A	CNPH*4221A**	355(A,C)AV042080	33,200	12.5	15.0
3657949	126BNA036****A	CNPH*4221A**	355(A,C)AV060080	33,200	12.5	15.0
3657952	126BNA036****A	CNPH*4221A**	355(A,C)AV060100	33,200	12.5	15.5
3657955	126BNA036****A	CNPH*4221A**	355(A,C)AV060120	33,200	12.5	15.5
3657958	126BNA036****A	CNPH*4221A**	355AAV042040	33,000	12.0	15.0
3657979	126BNA036****A	CNPH*4221A**	355BAV042060	33,400	12.5	15.0
3657982	126BNA036****A	CNPH*4221A**	355BAV042080	33,200	12.5	15.0
3657985	126BNA036****A	CNPH*4221A**	355BAV060080	33,200	12.5	15.0
3657988	126BNA036****A	CNPH*4221A**	355BAV060100	33,200	12.5	15.5
3657991	126BNA036****A	CNPH*4221A**	355BAV060120	33,200	12.5	15.5
3657971	126BNA036****A	CNPH*4221A**	368RAN036105	33,400	12.0	15.0
3657972	126BNA036****A	CNPH*4221A**	368RAN060120	33,200	12.5	15.5
3657975	126BNA036****A	CNPH*4221A**	374RAN036105	33,000	12.0	15.0
3657976	126BNA036****A	CNPH*4221A**	374RAN060120	33,200	12.5	15.5
3657994	126BNA036****A	CNPH*4221A**+TDR		33,400	11.5	14.0
3658041	126BNA036****A	CNPH*4821A**	353(A,B)AV036080	34,000	13.0	16.0
3658043	126BNA036****A	CNPH*4821A**	353(A,B)AV048080	34,200	13.0	16.0
3658068	126BNA036****A	CNPH*4821A**	313*AV024045	33,800	12.0	15.0
3658069	126BNA036****A	CNPH*4821A**	313*AV048070	33,800	12.5	15.0
3658071	126BNA036****A	CNPH*4821A**	313*AV048090	34,000	13.0	16.0
3658074	126BNA036****A	CNPH*4821A**	313*AV060110	34,200	13.0	16.0
3658025	126BNA036****A	CNPH*4821A**	315(A,J)AV036070	33,600	12.5	15.5
3658027	126BNA036****A	CNPH*4821A**	315(A,J)AV048090	33,600	13.0	16.0
3658030	126BNA036****A	CNPH*4821A**	315(A,J)AV060110	33,800	13.0	16.0
3658033	126BNA036****A	CNPH*4821A**	315(A,J)AV066135	33,800	13.0	16.0
3658036	126BNA036****A	CNPH*4821A**	315(A,J)AV066155	33,800	13.0	16.0

See notes on page 37

126B

COMBINATION RATINGS CONTINUED

AHRI Ref. No.	Model Number	Indoor Model	Furnace Model	Capacity	EER	SEER
3658039	126BNA036****A	CNPH*4821A**	353(A,B)AV036060	34,200	13.0	16.0
3658046	126BNA036****A	CNPH*4821A**	353(A,B)AV060100	34,000	13.0	16.0
3658051	126BNA036****A	CNPH*4821A**	353AAV036040	34,000	13.0	16.0
3658053	126BNA036****A	CNPH*4821A**	355(A,C)AV042060	33,800	13.0	16.0
3658055	126BNA036****A	CNPH*4821A**	355(A,C)AV042080	33,800	12.5	15.5
3658057	126BNA036****A	CNPH*4821A**	355(A,C)AV060080	33,600	13.0	16.0
3658060	126BNA036****A	CNPH*4821A**	355(A,C)AV060100	33,800	13.0	16.0
3658063	126BNA036****A	CNPH*4821A**	355(A,C)AV060120	33,800	13.0	16.0
3658066	126BNA036****A	CNPH*4821A**	355AAV042040	33,600	12.5	15.5
3658087	126BNA036****A	CNPH*4821A**	355BAV042060	33,800	13.0	16.0
3658089	126BNA036****A	CNPH*4821A**	355BAV042080	33,800	12.5	15.5
3658091	126BNA036****A	CNPH*4821A**	355BAV060080	33,600	13.0	16.0
3658094	126BNA036****A	CNPH*4821A**	355BAV060100	33,800	13.0	16.0
3658097	126BNA036****A	CNPH*4821A**	355BAV060120	33,800	13.0	16.0
3658079	126BNA036****A	CNPH*4821A**	368RAN036105	33,800	12.5	15.5
3658080	126BNA036****A	CNPH*4821A**	368RAN060120	33,800	13.0	16.0
3658083	126BNA036****A	CNPH*4821A**	374RAN036105	33,400	12.5	15.5
3658084	126BNA036****A	CNPH*4821A**	374RAN060120	33,600	13.0	16.0
3658100	126BNA036****A	CNPH*4821A**+TDR		34,000	11.5	14.0
3658150	126BNA036****A	CNPH*6024A**+TDR		34,200	12.0	14.5
3658282	126BNA036****A	CNPV*3617A**	353(A,B)AV036080	33,000	12.0	15.0
3658284	126BNA036****A	CNPV*3617A**	353(A,B)AV048080	33,000	12.0	15.0
3658292	126BNA036****A	CNPV*3617A**	313*AV024045	32,800	11.5	14.5
3658294	126BNA036****A	CNPV*3617A**	313*AV048070	32,800	12.0	14.5
3658273	126BNA036****A	CNPV*3617A**	315(A,J)AV036070	32,800	12.0	15.0
3658276	126BNA036****A	CNPV*3617A**	315(A,J)AV048090	32,800	12.0	15.0
3658279	126BNA036****A	CNPV*3617A**	353(A,B)AV036060	33,000	12.0	15.0
3658287	126BNA036****A	CNPV*3617A**	353AAV036040	33,000	12.0	15.0
3658290	126BNA036****A	CNPV*3617A**	355(A,C)AV042060	33,000	12.0	15.0
3658303	126BNA036****A	CNPV*3617A**	355BAV042060	33,000	12.0	15.0
3658297	126BNA036****A	CNPV*3617A**	368RAN036105	33,000	12.0	15.0
3658300	126BNA036****A	CNPV*3617A**	374RAN036105	32,600	12.0	15.0
3658306	126BNA036****A	CNPV*3617A**+TDR		33,000	11.5	14.0
3658318	126BNA036****A	CNPV*3621A**	353(A,B)AV036080	33,000	12.5	15.0
3658320	126BNA036****A	CNPV*3621A**	353(A,B)AV048080	33,000	12.0	15.0
3658338	126BNA036****A	CNPV*3621A**	313*AV048070	32,800	12.0	14.5
3658340	126BNA036****A	CNPV*3621A**	313*AV048090	33,000	12.5	15.5
3658341	126BNA036****A	CNPV*3621A**	313*AV060110	33,200	12.5	15.5
3658309	126BNA036****A	CNPV*3621A**	315(A,J)AV048090	32,800	12.5	15.0
3658312	126BNA036****A	CNPV*3621A**	315(A,J)AV060110	33,000	12.5	15.0
3658315	126BNA036****A	CNPV*3621A**	353(A,B)AV036060	33,000	12.0	15.0
3658321	126BNA036****A	CNPV*3621A**	353(A,B)AV060100	32,800	12.5	15.5
3658324	126BNA036****A	CNPV*3621A**	353AAV036040	33,000	12.5	15.0
3658327	126BNA036****A	CNPV*3621A**	355(A,C)AV042060	33,000	12.0	15.0
3658330	126BNA036****A	CNPV*3621A**	355(A,C)AV042080	32,800	12.0	15.0
3658333	126BNA036****A	CNPV*3621A**	355(A,C)AV060080	32,800	12.0	15.0
3658336	126BNA036****A	CNPV*3621A**	355(A,C)AV060100	33,000	12.0	15.0
3658352	126BNA036****A	CNPV*3621A**	355BAV042060	33,000	12.0	15.0
3658355	126BNA036****A	CNPV*3621A**	355BAV042080	32,800	12.0	15.0
3658358	126BNA036****A	CNPV*3621A**	355BAV060080	32,800	12.0	15.0
3658361	126BNA036****A	CNPV*3621A**	355BAV060100	33,000	12.0	15.0
3658344	126BNA036****A	CNPV*3621A**	368RAN036105	33,000	12.0	15.0
3658345	126BNA036****A	CNPV*3621A**	368RAN060120	32,800	12.5	15.5
3658348	126BNA036****A	CNPV*3621A**	374RAN036105	32,600	12.0	15.0
3658349	126BNA036****A	CNPV*3621A**	374RAN060120	32,800	12.0	15.0
3658364	126BNA036****A	CNPV*3621A**+TDR		33,000	11.5	13.5
3658368	126BNA036****A	CNPV*3717A**	353(A,B)AV036080	34,200	13.0	16.0
3658369	126BNA036****A	CNPV*3717A**	353(A,B)AV048080	34,400	13.0	16.0
3658372	126BNA036****A	CNPV*3717A**	313*AV024045	34,000	12.0	15.0
3658373	126BNA036****A	CNPV*3717A**	313*AV048070	34,200	12.5	15.5
3658365	126BNA036****A	CNPV*3717A**	315(A,J)AV036070	34,000	12.5	15.5
3658366	126BNA036****A	CNPV*3717A**	315(A,J)AV048090	34,000	13.0	16.0
3658367	126BNA036****A	CNPV*3717A**	353(A,B)AV036060	34,400	13.0	16.0
3658370	126BNA036****A	CNPV*3717A**	353AAV036040	34,400	13.0	16.0
3658371	126BNA036****A	CNPV*3717A**	355(A,C)AV042060	34,200	13.0	16.0
3658376	126BNA036****A	CNPV*3717A**	355BAV042060	34,200	13.0	16.0
3658374	126BNA036****A	CNPV*3717A**	368RAN036105	34,200	12.5	15.5
3658375	126BNA036****A	CNPV*3717A**	374RAN036105	33,800	12.5	15.5
3658388	126BNA036****A	CNPV*4217A**	353(A,B)AV036080	33,600	12.5	15.5
3658391	126BNA036****A	CNPV*4217A**	353(A,B)AV048080	33,800	12.5	15.5
3658399	126BNA036****A	CNPV*4217A**	313*AV024045	33,400	11.5	14.5
3658401	126BNA036****A	CNPV*4217A**	313*AV048070	33,400	12.0	15.0
3658379	126BNA036****A	CNPV*4217A**	315(A,J)AV036070	33,400	12.5	15.0
3658382	126BNA036****A	CNPV*4217A**	315(A,J)AV048090	33,400	12.5	15.5
3658385	126BNA036****A	CNPV*4217A**	353(A,B)AV036060	33,800	12.5	15.5
3658394	126BNA036****A	CNPV*4217A**	353AAV036040	33,600	12.5	15.5
3658397	126BNA036****A	CNPV*4217A**	355(A,C)AV042060	33,600	12.5	15.5
3658408	126BNA036****A	CNPV*4217A**	355BAV042060	33,600	12.5	15.5
3658404	126BNA036****A	CNPV*4217A**	368RAN036105	33,600	12.5	15.0

See notes on page 37

COMBINATION RATINGS CONTINUED

AHRI Ref. No.	Model Number	Indoor Model	Furnace Model	Capacity	EER	SEER
3658406	126BNA036****A	CNPV*4217A**	374RAN036105	33,200	12.5	15.0
3658411	126BNA036****A	CNPV*4217A**+TDR		33,800	11.5	14.0
3658423	126BNA036****A	CNPV*4221A**	353(A,B)AV036080	33,400	12.5	15.5
3658426	126BNA036****A	CNPV*4221A**	353(A,B)AV048080	33,400	12.5	15.5
3658446	126BNA036****A	CNPV*4221A**	313*AV048070	33,200	12.0	14.5
3658449	126BNA036****A	CNPV*4221A**	313*AV048090	33,400	12.5	15.5
3658451	126BNA036****A	CNPV*4221A**	313*AV060110	33,600	13.0	16.0
3658414	126BNA036****A	CNPV*4221A**	315(A,J)AV048090	33,200	12.5	15.5
3658417	126BNA036****A	CNPV*4221A**	315(A,J)AV060110	33,200	12.5	15.5
3658420	126BNA036****A	CNPV*4221A**	353(A,B)AV036060	33,400	12.5	15.5
3658428	126BNA036****A	CNPV*4221A**	353(A,B)AV060100	33,200	13.0	16.0
3658431	126BNA036****A	CNPV*4221A**	353AAV036040	33,400	12.5	15.5
3658434	126BNA036****A	CNPV*4221A**	355(A,C)AV042060	33,400	12.5	15.0
3658437	126BNA036****A	CNPV*4221A**	355(A,C)AV042080	33,200	12.0	15.0
3658440	126BNA036****A	CNPV*4221A**	355(A,C)AV060080	33,200	12.5	15.0
3658443	126BNA036****A	CNPV*4221A**	355(A,C)AV060100	33,200	12.5	15.5
3658462	126BNA036****A	CNPV*4221A**	355BAV042060	33,400	12.5	15.0
3658465	126BNA036****A	CNPV*4221A**	355BAV042080	33,200	12.0	15.0
3658468	126BNA036****A	CNPV*4221A**	355BAV060080	33,200	12.5	15.0
3658471	126BNA036****A	CNPV*4221A**	355BAV060100	33,200	12.5	15.5
3658454	126BNA036****A	CNPV*4221A**	368RAN036105	33,400	12.0	15.0
3658455	126BNA036****A	CNPV*4221A**	368RAN060120	33,200	12.5	15.5
3658458	126BNA036****A	CNPV*4221A**	374RAN036105	33,000	12.0	15.0
3658459	126BNA036****A	CNPV*4221A**	374RAN060120	33,200	12.5	15.5
3658474	126BNA036****A	CNPV*4221A**+TDR		33,400	11.5	14.0
3658504	126BNA036****A	CNPV*4821A**	353(A,B)AV036080	34,000	13.0	16.0
3658506	126BNA036****A	CNPV*4821A**	353(A,B)AV048080	34,200	13.0	16.0
3658524	126BNA036****A	CNPV*4821A**	313*AV048070	33,800	12.5	15.0
3658526	126BNA036****A	CNPV*4821A**	313*AV048090	34,000	13.0	16.0
3658529	126BNA036****A	CNPV*4821A**	313*AV060110	34,200	13.0	16.0
3658496	126BNA036****A	CNPV*4821A**	315(A,J)AV048090	33,600	13.0	16.0
3658499	126BNA036****A	CNPV*4821A**	315(A,J)AV060110	33,800	13.0	16.0
3658502	126BNA036****A	CNPV*4821A**	353(A,B)AV036060	34,200	13.0	16.0
3658509	126BNA036****A	CNPV*4821A**	353(A,B)AV060100	34,000	13.0	16.0
3658512	126BNA036****A	CNPV*4821A**	353AAV036040	34,000	13.0	16.0
3658514	126BNA036****A	CNPV*4821A**	355(A,C)AV042060	33,800	13.0	16.0
3658516	126BNA036****A	CNPV*4821A**	355(A,C)AV042080	33,800	12.5	15.5
3658518	126BNA036****A	CNPV*4821A**	355(A,C)AV060080	33,600	13.0	16.0
3658521	126BNA036****A	CNPV*4821A**	355(A,C)AV060100	33,800	13.0	16.0
3658540	126BNA036****A	CNPV*4821A**	355BAV042060	33,800	13.0	16.0
3658542	126BNA036****A	CNPV*4821A**	355BAV042080	33,800	12.5	15.5
3658544	126BNA036****A	CNPV*4821A**	355BAV060080	33,600	13.0	16.0
3658547	126BNA036****A	CNPV*4821A**	355BAV060100	33,800	13.0	16.0
3658532	126BNA036****A	CNPV*4821A**	368RAN036105	33,800	12.5	15.5
3658533	126BNA036****A	CNPV*4821A**	368RAN060120	33,800	13.0	16.0
3658536	126BNA036****A	CNPV*4821A**	374RAN036105	33,400	12.5	15.5
3658537	126BNA036****A	CNPV*4821A**	374RAN060120	33,600	13.0	16.0
3658550	126BNA036****A	CNPV*4821A**+TDR		34,000	11.5	14.0
3658580	126BNA036****A	CNPV*4824A**	313*AV048090	34,000	13.0	16.0
3658583	126BNA036****A	CNPV*4824A**	313*AV060110	34,200	13.0	16.0
3658553	126BNA036****A	CNPV*4824A**	315(A,J)AV060110	33,800	13.0	16.0
3658556	126BNA036****A	CNPV*4824A**	315(A,J)AV066135	33,800	13.0	16.0
3658559	126BNA036****A	CNPV*4824A**	315(A,J)AV066155	33,800	13.0	16.0
3658562	126BNA036****A	CNPV*4824A**	353(A,B)AV060100	34,000	13.0	16.0
3658567	126BNA036****A	CNPV*4824A**	355(A,C)AV042080	33,800	12.5	15.5
3658569	126BNA036****A	CNPV*4824A**	355(A,C)AV060080	33,600	13.0	16.0
3658572	126BNA036****A	CNPV*4824A**	355(A,C)AV060100	33,800	13.0	16.0
3658575	126BNA036****A	CNPV*4824A**	355(A,C)AV060120	33,800	13.0	16.0
3658578	126BNA036****A	CNPV*4824A**	355AAV042040	33,600	12.5	15.5
3658594	126BNA036****A	CNPV*4824A**	355BAV042080	33,800	12.5	15.5
3658596	126BNA036****A	CNPV*4824A**	355BAV060080	33,600	13.0	16.0
3658599	126BNA036****A	CNPV*4824A**	355BAV060100	33,800	13.0	16.0
3658602	126BNA036****A	CNPV*4824A**	355BAV060120	33,800	13.0	16.0
3658588	126BNA036****A	CNPV*4824A**	368RAN060120	33,800	13.0	16.0
3658591	126BNA036****A	CNPV*4824A**	374RAN060120	33,600	13.0	16.0
3658605	126BNA036****A	CNPV*4824A**+TDR		34,000	11.5	14.0
3658758	126BNA036****A	CSPH*3612A**	353(A,B)AV036080	33,800	13.0	16.0
3658760	126BNA036****A	CSPH*3612A**	353(A,B)AV048080	33,800	12.5	15.5
3658784	126BNA036****A	CSPH*3612A**	313*AV024045	33,600	12.0	14.5
3658786	126BNA036****A	CSPH*3612A**	313*AV048070	33,600	12.0	15.0
3658788	126BNA036****A	CSPH*3612A**	313*AV048090	33,800	13.0	16.0
3658789	126BNA036****A	CSPH*3612A**	313*AV060110	34,000	13.0	16.0
3658734	126BNA036****A	CSPH*3612A**	315(A,J)AV036070	33,400	12.5	15.5
3658737	126BNA036****A	CSPH*3612A**	315(A,J)AV048090	33,600	13.0	16.0
3658740	126BNA036****A	CSPH*3612A**	315(A,J)AV060110	33,600	13.0	16.0
3658743	126BNA036****A	CSPH*3612A**	315(A,J)AV066135	33,600	13.0	16.0
3658746	126BNA036****A	CSPH*3612A**	315(A,J)AV066155	33,800	13.0	16.0
3658755	126BNA036****A	CSPH*3612A**	353(A,B)AV036060	33,800	12.5	15.5
3658761	126BNA036****A	CSPH*3612A**	353(A,B)AV060100	33,800	13.0	16.0

See notes on page 37

126B

COMBINATION RATINGS CONTINUED

AHRI Ref. No.	Model Number	Indoor Model	Furnace Model	Capacity	EER	SEER
3658764	126BNA036****A	CSPH*3612A**	353AAV036040	33,800	13.0	16.0
3658767	126BNA036****A	CSPH*3612A**	355(A,C)AV042060	33,800	12.5	15.5
3658770	126BNA036****A	CSPH*3612A**	355(A,C)AV042080	33,600	12.5	15.0
3658773	126BNA036****A	CSPH*3612A**	355(A,C)AV060080	33,600	12.5	15.5
3658776	126BNA036****A	CSPH*3612A**	355(A,C)AV060100	33,800	12.5	15.5
3658779	126BNA036****A	CSPH*3612A**	355(A,C)AV060120	33,600	13.0	16.0
3658782	126BNA036****A	CSPH*3612A**	355AAV042040	33,400	12.5	15.0
3658800	126BNA036****A	CSPH*3612A**	355BAV042060	33,800	12.5	15.5
3658803	126BNA036****A	CSPH*3612A**	355BAV042080	33,600	12.5	15.0
3658806	126BNA036****A	CSPH*3612A**	355BAV060080	33,600	12.5	15.5
3658809	126BNA036****A	CSPH*3612A**	355BAV060100	33,800	12.5	15.5
3658812	126BNA036****A	CSPH*3612A**	355BAV060120	33,600	13.0	16.0
3658748	126BNA036****A	CSPH*3612A**	359BAV036040	33,400	12.0	14.5
3658750	126BNA036****A	CSPH*3612A**	359BAV036060	33,800	12.0	15.0
3658751	126BNA036****A	CSPH*3612A**	359BAV060080	34,200	12.5	15.0
3658752	126BNA036****A	CSPH*3612A**	359BAV060100	34,000	12.5	15.5
3658792	126BNA036****A	CSPH*3612A**	368RAN036105	33,800	12.5	15.5
3658793	126BNA036****A	CSPH*3612A**	368RAN060120	33,600	13.0	16.0
3658796	126BNA036****A	CSPH*3612A**	374RAN036105	33,400	12.5	15.5
3658797	126BNA036****A	CSPH*3612A**	374RAN060120	33,600	12.5	15.5
3658815	126BNA036****A	CSPH*3612A**+TDR		33,800	11.5	14.0
3658841	126BNA036****A	CSPH*4212A**	353(A,B)AV036080	34,000	13.0	16.0
3658844	126BNA036****A	CSPH*4212A**	353(A,B)AV048080	34,200	13.0	16.0
3658870	126BNA036****A	CSPH*4212A**	313*AV024045	33,800	12.0	15.0
3658872	126BNA036****A	CSPH*4212A**	313*AV048070	33,800	12.5	15.0
3658875	126BNA036****A	CSPH*4212A**	313*AV048090	34,000	13.0	16.0
3658877	126BNA036****A	CSPH*4212A**	313*AV060110	34,200	13.0	16.0
3658817	126BNA036****A	CSPH*4212A**	315(A,J)AV036070	33,600	12.5	15.5
3658820	126BNA036****A	CSPH*4212A**	315(A,J)AV048090	33,800	13.0	16.0
3658823	126BNA036****A	CSPH*4212A**	315(A,J)AV060110	33,800	13.0	16.0
3658826	126BNA036****A	CSPH*4212A**	315(A,J)AV066135	33,800	13.0	16.0
3658829	126BNA036****A	CSPH*4212A**	315(A,J)AV066155	34,000	13.0	16.0
3658838	126BNA036****A	CSPH*4212A**	353(A,B)AV036060	34,200	13.0	16.0
3658846	126BNA036****A	CSPH*4212A**	353(A,B)AV060100	34,000	13.0	16.0
3658850	126BNA036****A	CSPH*4212A**	353AAV036040	34,000	13.0	16.0
3658853	126BNA036****A	CSPH*4212A**	355(A,C)AV042060	34,000	13.0	16.0
3658856	126BNA036****A	CSPH*4212A**	355(A,C)AV042080	33,800	12.5	15.5
3658859	126BNA036****A	CSPH*4212A**	355(A,C)AV060080	33,800	13.0	16.0
3658862	126BNA036****A	CSPH*4212A**	355(A,C)AV060100	33,800	13.0	16.0
3658865	126BNA036****A	CSPH*4212A**	355(A,C)AV060120	33,800	13.0	16.0
3658868	126BNA036****A	CSPH*4212A**	355AAV042040	33,600	12.5	15.5
3658889	126BNA036****A	CSPH*4212A**	355BAV042060	34,000	13.0	16.0
3658892	126BNA036****A	CSPH*4212A**	355BAV042080	33,800	12.5	15.5
3658895	126BNA036****A	CSPH*4212A**	355BAV060080	33,800	13.0	16.0
3658898	126BNA036****A	CSPH*4212A**	355BAV060100	33,800	13.0	16.0
3658901	126BNA036****A	CSPH*4212A**	355BAV060120	33,800	13.0	16.0
3658831	126BNA036****A	CSPH*4212A**	359BAV036040	33,600	12.0	14.5
3658832	126BNA036****A	CSPH*4212A**	359BAV036060	34,000	12.0	15.0
3658833	126BNA036****A	CSPH*4212A**	359BAV060080	34,400	12.5	15.0
3658835	126BNA036****A	CSPH*4212A**	359BAV060100	34,200	13.0	16.0
3658881	126BNA036****A	CSPH*4212A**	368RAN036105	34,000	12.5	15.5
3658882	126BNA036****A	CSPH*4212A**	368RAN060120	33,800	13.0	16.0
3658885	126BNA036****A	CSPH*4212A**	374RAN036105	33,600	12.5	15.5
3658886	126BNA036****A	CSPH*4212A**	374RAN060120	33,800	12.5	15.5
3658904	126BNA036****A	CSPH*4212A**+TDR		34,000	11.5	14.0
3658926	126BNA036****A	CSPH*4812A**	353(A,B)AV036080	34,200	13.0	16.0
3658928	126BNA036****A	CSPH*4812A**	353(A,B)AV048080	34,200	13.0	16.0
3658953	126BNA036****A	CSPH*4812A**	313*AV024045	34,000	12.0	15.0
3658954	126BNA036****A	CSPH*4812A**	313*AV048070	34,000	12.5	15.0
3658956	126BNA036****A	CSPH*4812A**	313*AV048090	34,200	13.0	16.0
3658959	126BNA036****A	CSPH*4812A**	313*AV060110	34,400	13.0	16.0
3658906	126BNA036****A	CSPH*4812A**	315(A,J)AV036070	33,800	12.5	15.5
3658908	126BNA036****A	CSPH*4812A**	315(A,J)AV048090	33,800	13.0	16.0
3658911	126BNA036****A	CSPH*4812A**	315(A,J)AV060110	34,000	13.0	16.0
3658914	126BNA036****A	CSPH*4812A**	315(A,J)AV066135	34,000	13.0	16.0
3658917	126BNA036****A	CSPH*4812A**	315(A,J)AV066155	34,000	13.0	16.0
3658924	126BNA036****A	CSPH*4812A**	353(A,B)AV036060	34,200	13.0	16.0
3658931	126BNA036****A	CSPH*4812A**	353(A,B)AV060100	34,000	13.0	16.0
3658936	126BNA036****A	CSPH*4812A**	353AAV036040	34,200	13.0	16.0
3658938	126BNA036****A	CSPH*4812A**	355(A,C)AV042060	34,000	13.0	16.0
3658940	126BNA036****A	CSPH*4812A**	355(A,C)AV042080	34,000	12.5	15.5
3658942	126BNA036****A	CSPH*4812A**	355(A,C)AV060080	33,800	13.0	16.0
3658945	126BNA036****A	CSPH*4812A**	355(A,C)AV060100	34,000	13.0	16.0
3658948	126BNA036****A	CSPH*4812A**	355(A,C)AV060120	34,000	13.0	16.0
3658951	126BNA036****A	CSPH*4812A**	355AAV042040	33,800	12.5	15.5
3658972	126BNA036****A	CSPH*4812A**	355BAV042060	34,000	13.0	16.0
3658974	126BNA036****A	CSPH*4812A**	355BAV042080	34,000	12.5	15.5
3658976	126BNA036****A	CSPH*4812A**	355BAV060080	33,800	13.0	16.0
3658979	126BNA036****A	CSPH*4812A**	355BAV060100	34,000	13.0	16.0

See notes on page 37

COMBINATION RATINGS CONTINUED

AHRI Ref. No.	Model Number	Indoor Model	Furnace Model	Capacity	EER	SEER
3658982	126BNA036****A	CSPH*4812A**	355BAV060120	34,000	13.0	16.0
3658964	126BNA036****A	CSPH*4812A**	368RAN036105	34,000	12.5	15.5
3658965	126BNA036****A	CSPH*4812A**	368RAN060120	34,000	13.0	16.0
3658968	126BNA036****A	CSPH*4812A**	374RAN036105	33,600	12.5	15.5
3658969	126BNA036****A	CSPH*4812A**	374RAN060120	33,800	13.0	16.0
3658985	126BNA036****A	CSPH*4812A**+TDR		34,200	11.5	14.0
3659040	126BNA036****A	FE4AN(B,F)003+UI		33,200	13.0	16.0
3659043	126BNA036****A	FE4AN(B,F)005+UI		34,200	13.0	16.0
3659046	126BNA036****A	FE4ANB006+UI		34,600	13.5	16.5
3659052	126BNA036****A	FE4ANF002+UI		33,000	12.0	15.0
3659054	126BNA036****A	FE5ANB004+UI		34,600	13.5	16.5
3659068	126BNA036****A	FF1ENP036		33,000	11.0	13.5
3659071	126BNA036****A	FF1ENP037		33,200	11.5	14.0
3659074	126BNA036****A	FV4BN(B,F)003		33,200	13.0	16.0
3659077	126BNA036****A	FV4BN(B,F)005		34,200	13.0	16.0
3659080	126BNA036****A	FV4BNB006		34,600	13.5	16.5
3659086	126BNA036****A	FV4BNF002		33,000	12.0	15.0
3658495	126BNA042****A	†CNPV*4324A**+TDR		41,500	12.0	14.5
3657367	126BNA042****A	CAP**4221A**	353(A,B)AV036080	40,000	12.5	15.0
3657370	126BNA042****A	CAP**4221A**	353(A,B)AV048080	40,000	12.5	15.0
3657390	126BNA042****A	CAP**4221A**	313*AV048070	39,500	12.0	14.5
3657393	126BNA042****A	CAP**4221A**	313*AV048090	40,000	13.0	15.2
3657395	126BNA042****A	CAP**4221A**	313*AV060110	40,000	13.0	15.5
3657358	126BNA042****A	CAP**4221A**	315(A,J)AV048090	39,500	13.0	15.2
3657361	126BNA042****A	CAP**4221A**	315(A,J)AV060110	40,000	13.0	15.2
3657364	126BNA042****A	CAP**4221A**	353(A,B)AV036060	40,000	12.5	15.0
3657372	126BNA042****A	CAP**4221A**	353(A,B)AV060100	40,000	13.0	15.5
3657375	126BNA042****A	CAP**4221A**	353AAV036040	40,000	12.5	15.0
3657378	126BNA042****A	CAP**4221A**	355(A,C)AV042060	40,000	12.5	15.0
3657381	126BNA042****A	CAP**4221A**	355(A,C)AV042080	39,500	12.5	14.5
3657384	126BNA042****A	CAP**4221A**	355(A,C)AV060080	39,500	12.5	15.0
3657387	126BNA042****A	CAP**4221A**	355(A,C)AV060100	39,500	12.5	15.0
3657406	126BNA042****A	CAP**4221A**	355BAV042060	40,000	12.5	15.0
3657409	126BNA042****A	CAP**4221A**	355BAV042080	39,500	12.5	14.5
3657412	126BNA042****A	CAP**4221A**	355BAV060080	39,500	12.5	15.0
3657415	126BNA042****A	CAP**4221A**	355BAV060100	39,500	12.5	15.0
3657399	126BNA042****A	CAP**4221A**	368RAN060120	39,500	13.0	15.5
3657403	126BNA042****A	CAP**4221A**	374RAN060120	39,500	12.5	15.0
3657418	126BNA042****A	CAP**4221A**+TDR		40,000	11.5	14.0
3657448	126BNA042****A	CAP**4224A**	313*AV048090	40,000	13.0	15.5
3657450	126BNA042****A	CAP**4224A**	313*AV060110	40,000	13.0	15.5
3657451	126BNA042****A	CAP**4224A**	313*AV060135	40,000	13.0	15.5
3657421	126BNA042****A	CAP**4224A**	315(A,J)AV060110	40,000	13.0	15.5
3657424	126BNA042****A	CAP**4224A**	315(A,J)AV066135	40,000	13.0	15.5
3657427	126BNA042****A	CAP**4224A**	315(A,J)AV066155	40,000	13.0	16.0
3657429	126BNA042****A	CAP**4224A**	353(A,B)AV060100	40,000	13.0	15.5
3657430	126BNA042****A	CAP**4224A**	353(A,B)AV060120	40,000	13.0	15.5
3657433	126BNA042****A	CAP**4224A**	355(A,C)AV042080	39,500	12.5	15.0
3657436	126BNA042****A	CAP**4224A**	355(A,C)AV060080	39,500	12.5	15.0
3657439	126BNA042****A	CAP**4224A**	355(A,C)AV060100	39,500	12.5	15.0
3657442	126BNA042****A	CAP**4224A**	355(A,C)AV060120	39,500	13.0	15.2
3657445	126BNA042****A	CAP**4224A**	355AAV042040	39,500	12.5	15.0
3657458	126BNA042****A	CAP**4224A**	355BAV042080	39,500	12.5	15.0
3657461	126BNA042****A	CAP**4224A**	355BAV060080	39,500	12.5	15.0
3657464	126BNA042****A	CAP**4224A**	355BAV060100	39,500	12.5	15.0
3657467	126BNA042****A	CAP**4224A**	355BAV060120	39,500	13.0	15.2
3657453	126BNA042****A	CAP**4224A**	368RAN060120	39,500	13.0	15.5
3657455	126BNA042****A	CAP**4224A**	374RAN060120	39,500	12.5	15.0
3657470	126BNA042****A	CAP**4224A**+TDR		40,000	11.5	14.0
3657479	126BNA042****A	CAP**4817A**	353(A,B)AV036080	41,000	13.0	15.5
3657481	126BNA042****A	CAP**4817A**	353(A,B)AV048080	40,500	13.0	15.5
3657489	126BNA042****A	CAP**4817A**	313*AV048070	40,500	12.0	14.5
3657472	126BNA042****A	CAP**4817A**	315(A,J)AV036070	40,500	12.5	15.0
3657474	126BNA042****A	CAP**4817A**	315(A,J)AV048090	40,500	13.0	15.5
3657477	126BNA042****A	CAP**4817A**	353(A,B)AV036060	41,000	13.0	15.2
3657484	126BNA042****A	CAP**4817A**	353AAV036040	41,000	13.0	15.2
3657486	126BNA042****A	CAP**4817A**	355(A,C)AV042060	41,000	13.0	15.2
3657493	126BNA042****A	CAP**4817A**	355BAV042060	41,000	13.0	15.2
3657495	126BNA042****A	CAP**4817A**+TDR		41,000	12.0	14.0
3657506	126BNA042****A	CAP**4821A**	353(A,B)AV036080	40,500	12.5	15.2
3657508	126BNA042****A	CAP**4821A**	353(A,B)AV048080	40,500	12.5	15.0
3657526	126BNA042****A	CAP**4821A**	313*AV048070	40,500	12.0	14.5
3657528	126BNA042****A	CAP**4821A**	313*AV048090	40,500	13.0	15.5
3657531	126BNA042****A	CAP**4821A**	313*AV060110	40,500	13.0	16.0
3657498	126BNA042****A	CAP**4821A**	315(A,J)AV048090	40,500	13.0	15.5
3657501	126BNA042****A	CAP**4821A**	315(A,J)AV060110	40,500	13.0	15.5
3657504	126BNA042****A	CAP**4821A**	353(A,B)AV036060	40,500	12.5	15.0
3657511	126BNA042****A	CAP**4821A**	353(A,B)AV060100	40,500	13.0	15.5

See notes on page 37

126B

COMBINATION RATINGS CONTINUED

AHRI Ref. No.	Model Number	Indoor Model	Furnace Model	Capacity	EER	SEER
3657514	126BNA042****A	CAP**4821A**	353AAV036040	40,500	12.5	15.2
3657516	126BNA042****A	CAP**4821A**	355(A,C)AV042060	40,500	12.5	15.0
3657518	126BNA042****A	CAP**4821A**	355(A,C)AV042080	40,000	12.5	15.0
3657520	126BNA042****A	CAP**4821A**	355(A,C)AV060080	40,500	12.5	15.0
3657523	126BNA042****A	CAP**4821A**	355(A,C)AV060100	40,000	12.5	15.0
3657542	126BNA042****A	CAP**4821A**	355BAV042060	40,500	12.5	15.0
3657544	126BNA042****A	CAP**4821A**	355BAV042080	40,000	12.5	15.0
3657546	126BNA042****A	CAP**4821A**	355BAV060080	40,500	12.5	15.0
3657549	126BNA042****A	CAP**4821A**	355BAV060100	40,000	12.5	15.0
3657535	126BNA042****A	CAP**4821A**	368RAN060120	40,000	13.0	15.5
3657539	126BNA042****A	CAP**4821A**	374RAN060120	40,000	13.0	15.5
3657552	126BNA042****A	CAP**4821A**+TDR		40,500	12.0	14.0
3657556	126BNA042****A	CAP**4823A**	359BAV060080	40,500	12.5	15.0
3657559	126BNA042****A	CAP**4823A**+TDR		40,500	12.0	14.0
3657589	126BNA042****A	CAP**4824A**	313*AV048090	40,500	13.0	15.5
3657592	126BNA042****A	CAP**4824A**	313*AV060110	40,500	13.0	16.0
3657594	126BNA042****A	CAP**4824A**	313*AV060135	40,500	13.0	15.5
3657562	126BNA042****A	CAP**4824A**	315(A,J)AV060110	40,500	13.0	15.5
3657565	126BNA042****A	CAP**4824A**	315(A,J)AV066135	40,500	13.0	16.0
3657568	126BNA042****A	CAP**4824A**	315(A,J)AV066155	40,500	13.0	16.0
3657571	126BNA042****A	CAP**4824A**	353(A,B)AV060100	40,500	13.0	16.0
3657573	126BNA042****A	CAP**4824A**	353(A,B)AV060120	41,000	13.0	16.0
3657576	126BNA042****A	CAP**4824A**	355(A,C)AV042080	40,000	12.5	15.0
3657578	126BNA042****A	CAP**4824A**	355(A,C)AV060080	40,500	12.5	15.2
3657581	126BNA042****A	CAP**4824A**	355(A,C)AV060100	40,000	13.0	15.2
3657584	126BNA042****A	CAP**4824A**	355(A,C)AV060120	40,500	13.0	15.5
3657587	126BNA042****A	CAP**4824A**	355AAV042040	40,000	12.5	15.0
3657603	126BNA042****A	CAP**4824A**	355BAV042080	40,000	12.5	15.0
3657605	126BNA042****A	CAP**4824A**	355BAV060080	40,500	12.5	15.2
3657608	126BNA042****A	CAP**4824A**	355BAV060100	40,000	13.0	15.2
3657611	126BNA042****A	CAP**4824A**	355BAV060120	40,500	13.0	15.5
3657597	126BNA042****A	CAP**4824A**	368RAN060120	40,000	13.0	15.5
3657600	126BNA042****A	CAP**4824A**	374RAN060120	40,000	13.0	15.5
3657614	126BNA042****A	CAP**4824A**+TDR		40,500	12.0	14.0
3657621	126BNA042****A	CAP**6021A**	353(A,B)AV036080	41,500	13.0	15.5
3657622	126BNA042****A	CAP**6021A**	353(A,B)AV048080	41,000	13.0	15.5
3657633	126BNA042****A	CAP**6021A**	313*AV048070	41,000	12.5	15.0
3657634	126BNA042****A	CAP**6021A**	313*AV048090	41,000	13.0	16.0
3657636	126BNA042****A	CAP**6021A**	313*AV060110	41,500	13.0	16.0
3657616	126BNA042****A	CAP**6021A**	315(A,J)AV048090	41,000	13.0	16.0
3657618	126BNA042****A	CAP**6021A**	315(A,J)AV060110	41,000	13.0	16.0
3657620	126BNA042****A	CAP**6021A**	353(A,B)AV036060	41,500	13.0	15.5
3657624	126BNA042****A	CAP**6021A**	353(A,B)AV060100	41,500	13.0	16.0
3657626	126BNA042****A	CAP**6021A**	353AAV036040	41,500	13.0	15.5
3657627	126BNA042****A	CAP**6021A**	355(A,C)AV042060	41,000	13.0	15.5
3657628	126BNA042****A	CAP**6021A**	355(A,C)AV042080	41,000	12.5	15.0
3657629	126BNA042****A	CAP**6021A**	355(A,C)AV060080	41,000	13.0	15.5
3657631	126BNA042****A	CAP**6021A**	355(A,C)AV060100	40,500	13.0	15.5
3657642	126BNA042****A	CAP**6021A**	355BAV042060	41,000	13.0	15.5
3657643	126BNA042****A	CAP**6021A**	355BAV042080	41,000	12.5	15.0
3657644	126BNA042****A	CAP**6021A**	355BAV060080	41,000	13.0	15.5
3657646	126BNA042****A	CAP**6021A**	355BAV060100	40,500	13.0	15.5
3657638	126BNA042****A	CAP**6021A**	368RAN060120	41,000	13.0	16.0
3657640	126BNA042****A	CAP**6021A**	374RAN060120	40,500	13.0	16.0
3657648	126BNA042****A	CAP**6021A**+TDR		41,500	12.0	14.5
3657668	126BNA042****A	CAP**6024A**	313*AV048090	41,000	13.0	16.0
3657670	126BNA042****A	CAP**6024A**	313*AV060110	41,500	13.0	16.0
3657672	126BNA042****A	CAP**6024A**	313*AV060135	41,500	13.0	16.0
3657650	126BNA042****A	CAP**6024A**	315(A,J)AV060110	41,000	13.0	16.0
3657652	126BNA042****A	CAP**6024A**	315(A,J)AV066135	41,000	13.0	16.0
3657654	126BNA042****A	CAP**6024A**	315(A,J)AV066155	41,000	13.0	16.0
3657656	126BNA042****A	CAP**6024A**	353(A,B)AV060100	41,500	13.0	16.0
3657658	126BNA042****A	CAP**6024A**	353(A,B)AV060120	41,500	13.0	16.0
3657660	126BNA042****A	CAP**6024A**	355(A,C)AV042080	41,000	13.0	15.2
3657661	126BNA042****A	CAP**6024A**	355(A,C)AV060080	41,000	13.0	15.5
3657663	126BNA042****A	CAP**6024A**	355(A,C)AV060100	40,500	13.0	15.5
3657665	126BNA042****A	CAP**6024A**	355(A,C)AV060120	41,000	13.0	16.0
3657667	126BNA042****A	CAP**6024A**	355AAV042040	40,500	13.0	15.2
3657678	126BNA042****A	CAP**6024A**	355BAV042080	41,000	13.0	15.2
3657679	126BNA042****A	CAP**6024A**	355BAV060080	41,000	13.0	15.5
3657681	126BNA042****A	CAP**6024A**	355BAV060100	40,500	13.0	15.5
3657683	126BNA042****A	CAP**6024A**	355BAV060120	41,000	13.0	16.0
3657674	126BNA042****A	CAP**6024A**	368RAN060120	41,000	13.0	16.0
3657676	126BNA042****A	CAP**6024A**	374RAN060120	40,500	13.0	16.0
3657685	126BNA042****A	CAP**6024A**+TDR		41,500	12.0	14.5
3657687	126BNA042****A	CAP**6025A**	359BAV060080	41,500	13.0	15.0
3657689	126BNA042****A	CAP**6025A**	359BAV060100	41,500	13.0	15.5
3657691	126BNA042****A	CAP**6025A**+TDR		41,500	12.0	14.5
3657699	126BNA042****A	CNPF*4818A**+TDR		40,500	12.0	14.0

See notes on page 37

COMBINATION RATINGS CONTINUED

AHRI Ref. No.	Model Number	Indoor Model	Furnace Model	Capacity	EER	SEER
3657932	126BNA042****A	CNPH*4221A**	353(A,B)AV036080	40,000	12.5	15.0
3657935	126BNA042****A	CNPH*4221A**	353(A,B)AV048080	40,000	12.5	15.0
3657963	126BNA042****A	CNPH*4221A**	313*AV048070	39,500	12.0	14.5
3657966	126BNA042****A	CNPH*4221A**	313*AV048090	40,000	12.5	15.0
3657968	126BNA042****A	CNPH*4221A**	313*AV060110	40,000	13.0	15.5
3657969	126BNA042****A	CNPH*4221A**	313*AV060135	40,000	12.5	15.0
3657913	126BNA042****A	CNPH*4221A**	315(A,J)AV036070	39,500	12.5	14.5
3657916	126BNA042****A	CNPH*4221A**	315(A,J)AV048090	40,000	12.5	15.0
3657919	126BNA042****A	CNPH*4221A**	315(A,J)AV060110	40,000	12.5	15.0
3657922	126BNA042****A	CNPH*4221A**	315(A,J)AV066135	40,000	13.0	15.5
3657926	126BNA042****A	CNPH*4221A**	315(A,J)AV066155	40,000	13.0	15.5
3657929	126BNA042****A	CNPH*4221A**	353(A,B)AV036060	40,000	12.5	15.0
3657937	126BNA042****A	CNPH*4221A**	353(A,B)AV060100	40,000	13.0	15.5
3657938	126BNA042****A	CNPH*4221A**	353(A,B)AV060120	40,000	13.0	15.5
3657941	126BNA042****A	CNPH*4221A**	353AAV036040	40,000	12.5	15.0
3657944	126BNA042****A	CNPH*4221A**	355(A,C)AV042060	40,000	12.5	15.0
3657947	126BNA042****A	CNPH*4221A**	355(A,C)AV042080	39,500	12.0	14.5
3657950	126BNA042****A	CNPH*4221A**	355(A,C)AV060080	39,500	12.5	14.5
3657953	126BNA042****A	CNPH*4221A**	355(A,C)AV060100	39,500	12.5	15.0
3657956	126BNA042****A	CNPH*4221A**	355(A,C)AV060120	40,000	12.5	15.0
3657959	126BNA042****A	CNPH*4221A**	355AAV042040	39,500	12.5	14.5
3657980	126BNA042****A	CNPH*4221A**	355BAV042060	40,000	12.5	15.0
3657983	126BNA042****A	CNPH*4221A**	355BAV042080	39,500	12.0	14.5
3657986	126BNA042****A	CNPH*4221A**	355BAV060080	39,500	12.5	14.5
3657989	126BNA042****A	CNPH*4221A**	355BAV060100	39,500	12.5	15.0
3657992	126BNA042****A	CNPH*4221A**	355BAV060120	40,000	12.5	15.0
3657973	126BNA042****A	CNPH*4221A**	368RAN060120	39,500	12.5	15.0
3657977	126BNA042****A	CNPH*4221A**	374RAN060120	39,500	12.5	15.0
3657995	126BNA042****A	CNPH*4221A**+TDR		40,000	12.0	14.0
3658002	126BNA042****A	CNPH*4321A**	353(A,B)AV036080	41,500	13.0	15.5
3658003	126BNA042****A	CNPH*4321A**	353(A,B)AV048080	41,000	13.0	15.5
3658013	126BNA042****A	CNPH*4321A**	313*AV048070	41,000	12.5	15.0
3658014	126BNA042****A	CNPH*4321A**	313*AV048090	41,000	13.0	16.0
3658015	126BNA042****A	CNPH*4321A**	313*AV060110	41,500	13.0	16.0
3658016	126BNA042****A	CNPH*4321A**	313*AV060135	41,000	13.0	16.0
3657996	126BNA042****A	CNPH*4321A**	315(A,J)AV036070	40,500	12.5	15.0
3657997	126BNA042****A	CNPH*4321A**	315(A,J)AV048090	41,000	13.0	16.0
3657998	126BNA042****A	CNPH*4321A**	315(A,J)AV060110	41,000	13.0	16.0
3657999	126BNA042****A	CNPH*4321A**	315(A,J)AV066135	41,000	13.0	16.0
3658000	126BNA042****A	CNPH*4321A**	315(A,J)AV066155	41,000	13.0	16.0
3658001	126BNA042****A	CNPH*4321A**	353(A,B)AV036060	41,500	13.0	15.5
3658004	126BNA042****A	CNPH*4321A**	353(A,B)AV060100	41,500	13.0	16.0
3658005	126BNA042****A	CNPH*4321A**	353(A,B)AV060120	41,500	13.0	16.0
3658006	126BNA042****A	CNPH*4321A**	353AAV036040	41,500	13.0	15.5
3658007	126BNA042****A	CNPH*4321A**	355(A,C)AV042060	41,000	13.0	15.5
3658008	126BNA042****A	CNPH*4321A**	355(A,C)AV042080	41,000	12.5	15.0
3658009	126BNA042****A	CNPH*4321A**	355(A,C)AV060080	41,000	13.0	15.5
3658010	126BNA042****A	CNPH*4321A**	355(A,C)AV060100	40,500	13.0	15.5
3658011	126BNA042****A	CNPH*4321A**	355(A,C)AV060120	41,000	13.0	16.0
3658012	126BNA042****A	CNPH*4321A**	355AAV042040	40,500	12.5	15.0
3658019	126BNA042****A	CNPH*4321A**	355BAV042060	41,000	13.0	15.5
3658020	126BNA042****A	CNPH*4321A**	355BAV042080	41,000	12.5	15.0
3658021	126BNA042****A	CNPH*4321A**	355BAV060080	41,000	13.0	15.5
3658022	126BNA042****A	CNPH*4321A**	355BAV060100	40,500	13.0	15.5
3658023	126BNA042****A	CNPH*4321A**	355BAV060120	41,000	13.0	16.0
3658017	126BNA042****A	CNPH*4321A**	368RAN060120	41,000	13.0	16.0
3658018	126BNA042****A	CNPH*4321A**	374RAN060120	40,500	13.0	16.0
3658024	126BNA042****A	CNPH*4321A**+TDR		41,500	12.0	14.5
3658042	126BNA042****A	CNPH*4821A**	353(A,B)AV036080	41,000	13.0	15.5
3658044	126BNA042****A	CNPH*4821A**	353(A,B)AV048080	40,500	13.0	15.5
3658070	126BNA042****A	CNPH*4821A**	313*AV048070	40,500	12.0	14.5
3658072	126BNA042****A	CNPH*4821A**	313*AV048090	40,500	13.0	15.5
3658075	126BNA042****A	CNPH*4821A**	313*AV060110	41,000	13.0	16.0
3658077	126BNA042****A	CNPH*4821A**	313*AV060135	41,000	13.0	16.0
3658026	126BNA042****A	CNPH*4821A**	315(A,J)AV036070	40,500	12.5	15.0
3658028	126BNA042****A	CNPH*4821A**	315(A,J)AV048090	40,500	13.0	15.5
3658031	126BNA042****A	CNPH*4821A**	315(A,J)AV060110	40,500	13.0	16.0
3658034	126BNA042****A	CNPH*4821A**	315(A,J)AV066135	40,500	13.0	16.0
3658037	126BNA042****A	CNPH*4821A**	315(A,J)AV066155	40,500	13.0	16.0
3658040	126BNA042****A	CNPH*4821A**	353(A,B)AV036060	41,000	12.5	15.0
3658047	126BNA042****A	CNPH*4821A**	353(A,B)AV060100	41,000	13.0	16.0
3658049	126BNA042****A	CNPH*4821A**	353(A,B)AV060120	41,000	13.0	16.0
3658052	126BNA042****A	CNPH*4821A**	353AAV036040	41,000	13.0	15.2
3658054	126BNA042****A	CNPH*4821A**	355(A,C)AV042060	40,500	13.0	15.5
3658056	126BNA042****A	CNPH*4821A**	355(A,C)AV042080	40,500	12.5	15.0
3658058	126BNA042****A	CNPH*4821A**	355(A,C)AV060080	40,500	12.5	15.2
3658061	126BNA042****A	CNPH*4821A**	355(A,C)AV060100	40,000	13.0	15.5
3658064	126BNA042****A	CNPH*4821A**	355(A,C)AV060120	40,500	13.0	15.5
3658067	126BNA042****A	CNPH*4821A**	355AAV042040	40,000	12.5	15.0

See notes on page 37

126B

COMBINATION RATINGS CONTINUED

AHRI Ref. No.	Model Number	Indoor Model	Furnace Model	Capacity	EER	SEER
3658088	126BNA042****A	CNPH*4821A**	355BAV042060	40,500	13.0	15.5
3658090	126BNA042****A	CNPH*4821A**	355BAV042080	40,500	12.5	15.0
3658092	126BNA042****A	CNPH*4821A**	355BAV060080	40,500	12.5	15.2
3658095	126BNA042****A	CNPH*4821A**	355BAV060100	40,000	13.0	15.5
3658098	126BNA042****A	CNPH*4821A**	355BAV060120	40,500	13.0	15.5
3658081	126BNA042****A	CNPH*4821A**	368RAN060120	40,500	13.0	16.0
3658085	126BNA042****A	CNPH*4821A**	374RAN060120	40,000	13.0	15.5
3658101	126BNA042****A	CNPH*4821A**+TDR		41,000	12.0	14.0
3658113	126BNA042****A	CNPH*6024A**	353(A,B)AV036080	41,500	13.0	15.5
3658114	126BNA042****A	CNPH*6024A**	353(A,B)AV048080	41,000	13.0	15.5
3658130	126BNA042****A	CNPH*6024A**	313*AV048070	41,000	12.5	14.5
3658131	126BNA042****A	CNPH*6024A**	313*AV048090	41,500	13.0	16.0
3658133	126BNA042****A	CNPH*6024A**	313*AV060110	41,500	13.0	16.0
3658135	126BNA042****A	CNPH*6024A**	313*AV060135	41,500	13.0	16.0
3658103	126BNA042****A	CNPH*6024A**	315(A,J)AV036070	41,000	13.0	15.2
3658104	126BNA042****A	CNPH*6024A**	315(A,J)AV048090	41,000	13.0	16.0
3658106	126BNA042****A	CNPH*6024A**	315(A,J)AV060110	41,000	13.0	16.0
3658108	126BNA042****A	CNPH*6024A**	315(A,J)AV066135	41,000	13.0	16.0
3658110	126BNA042****A	CNPH*6024A**	315(A,J)AV066155	41,000	13.0	16.0
3658112	126BNA042****A	CNPH*6024A**	353(A,B)AV036060	41,500	13.0	15.5
3658116	126BNA042****A	CNPH*6024A**	353(A,B)AV060100	41,500	13.0	16.0
3658118	126BNA042****A	CNPH*6024A**	353(A,B)AV060120	41,500	13.0	16.0
3658120	126BNA042****A	CNPH*6024A**	353AAV036040	41,500	13.0	15.5
3658121	126BNA042****A	CNPH*6024A**	355(A,C)AV042060	41,000	13.0	15.5
3658122	126BNA042****A	CNPH*6024A**	355(A,C)AV042080	41,000	13.0	15.5
3658123	126BNA042****A	CNPH*6024A**	355(A,C)AV060080	41,000	13.0	15.5
3658125	126BNA042****A	CNPH*6024A**	355(A,C)AV060100	40,500	13.0	15.5
3658127	126BNA042****A	CNPH*6024A**	355(A,C)AV060120	41,000	13.0	16.0
3658129	126BNA042****A	CNPH*6024A**	355AAV042040	40,500	13.0	15.5
3658142	126BNA042****A	CNPH*6024A**	355BAV042060	41,000	13.0	15.5
3658143	126BNA042****A	CNPH*6024A**	355BAV042080	41,000	13.0	15.5
3658144	126BNA042****A	CNPH*6024A**	355BAV060080	41,000	13.0	15.5
3658146	126BNA042****A	CNPH*6024A**	355BAV060100	40,500	13.0	15.5
3658148	126BNA042****A	CNPH*6024A**	355BAV060120	41,000	13.0	16.0
3658137	126BNA042****A	CNPH*6024A**	368RAN060120	41,000	13.0	16.0
3658139	126BNA042****A	CNPH*6024A**	374RAN060120	41,000	13.0	16.0
3658141	126BNA042****A	CNPH*6024A**		41,500	12.0	14.5
3658151	126BNA042****A	CNPH*6024A**+TDR		41,500	12.0	14.0
3658389	126BNA042****A	CNPV*4217A**	353(A,B)AV036080	40,500	12.5	15.0
3658392	126BNA042****A	CNPV*4217A**	353(A,B)AV048080	40,000	12.5	15.0
3658402	126BNA042****A	CNPV*4217A**	313*AV048070	40,000	12.0	14.5
3658380	126BNA042****A	CNPV*4217A**	315(A,J)AV036070	40,000	12.5	14.5
3658383	126BNA042****A	CNPV*4217A**	315(A,J)AV048090	40,000	12.5	15.2
3658386	126BNA042****A	CNPV*4217A**	353(A,B)AV036060	40,500	12.5	15.0
3658395	126BNA042****A	CNPV*4217A**	353AAV036040	40,500	12.5	15.0
3658398	126BNA042****A	CNPV*4217A**	355(A,C)AV042060	40,500	12.5	15.0
3658409	126BNA042****A	CNPV*4217A**	355BAV042060	40,500	12.5	15.0
3658412	126BNA042****A	CNPV*4217A**+TDR		40,500	12.0	14.0
3658424	126BNA042****A	CNPV*4221A**	353(A,B)AV036080	40,000	12.5	15.0
3658427	126BNA042****A	CNPV*4221A**	353(A,B)AV048080	40,000	12.5	15.0
3658447	126BNA042****A	CNPV*4221A**	313*AV048070	39,500	12.0	14.5
3658450	126BNA042****A	CNPV*4221A**	313*AV048090	40,000	12.5	15.0
3658452	126BNA042****A	CNPV*4221A**	313*AV060110	40,000	13.0	15.5
3658415	126BNA042****A	CNPV*4221A**	315(A,J)AV048090	40,000	12.5	15.0
3658418	126BNA042****A	CNPV*4221A**	315(A,J)AV060110	40,000	12.5	15.0
3658421	126BNA042****A	CNPV*4221A**	353(A,B)AV036060	40,000	12.5	15.0
3658429	126BNA042****A	CNPV*4221A**	353(A,B)AV060100	40,000	13.0	15.5
3658432	126BNA042****A	CNPV*4221A**	353AAV036040	40,000	12.5	15.0
3658435	126BNA042****A	CNPV*4221A**	355(A,C)AV042060	40,000	12.5	15.0
3658438	126BNA042****A	CNPV*4221A**	355(A,C)AV042080	39,500	12.0	14.5
3658441	126BNA042****A	CNPV*4221A**	355(A,C)AV060080	39,500	12.5	14.5
3658444	126BNA042****A	CNPV*4221A**	355(A,C)AV060100	39,500	12.5	15.0
3658463	126BNA042****A	CNPV*4221A**	355BAV042060	40,000	12.5	15.0
3658466	126BNA042****A	CNPV*4221A**	355BAV042080	39,500	12.0	14.5
3658469	126BNA042****A	CNPV*4221A**	355BAV060080	39,500	12.5	14.5
3658472	126BNA042****A	CNPV*4221A**	355BAV060100	39,500	12.5	15.0
3658456	126BNA042****A	CNPV*4221A**	368RAN060120	39,500	12.5	15.0
3658460	126BNA042****A	CNPV*4221A**	374RAN060120	39,500	12.5	15.0
3658475	126BNA042****A	CNPV*4221A**+TDR		40,000	12.0	14.0
3658486	126BNA042****A	CNPV*4324A**	313*AV048090	41,500	13.0	16.0
3658487	126BNA042****A	CNPV*4324A**	313*AV060110	41,500	13.0	16.0
3658488	126BNA042****A	CNPV*4324A**	313*AV060135	41,500	13.0	16.0
3658476	126BNA042****A	CNPV*4324A**	315(A,J)AV060110	41,000	13.0	16.0
3658477	126BNA042****A	CNPV*4324A**	315(A,J)AV066135	41,000	13.0	16.0
3658478	126BNA042****A	CNPV*4324A**	315(A,J)AV066155	41,000	13.0	16.0
3658479	126BNA042****A	CNPV*4324A**	353(A,B)AV060100	41,500	13.0	16.0
3658480	126BNA042****A	CNPV*4324A**	353(A,B)AV060120	41,500	13.0	16.0
3658481	126BNA042****A	CNPV*4324A**	355(A,C)AV042080	41,000	13.0	15.5
3658482	126BNA042****A	CNPV*4324A**	355(A,C)AV060080	41,000	13.0	15.5

See notes on page 37

COMBINATION RATINGS CONTINUED

AHRI Ref. No.	Model Number	Indoor Model	Furnace Model	Capacity	EER	SEER
3658483	126BNA042****A	CNPV*4324A**	355(A,C)AV060100	40,500	13.0	16.0
3658484	126BNA042****A	CNPV*4324A**	355(A,C)AV060120	41,000	13.0	16.0
3658485	126BNA042****A	CNPV*4324A**	355AAV042040	40,500	13.0	15.5
3658491	126BNA042****A	CNPV*4324A**	355BAV042080	41,000	13.0	15.5
3658492	126BNA042****A	CNPV*4324A**	355BAV060080	41,000	13.0	15.5
3658493	126BNA042****A	CNPV*4324A**	355BAV060100	40,500	13.0	16.0
3658494	126BNA042****A	CNPV*4324A**	355BAV060120	41,000	13.0	16.0
3658489	126BNA042****A	CNPV*4324A**	368RAN060120	41,000	13.0	16.0
3658490	126BNA042****A	CNPV*4324A**	374RAN060120	41,000	13.0	16.0
3658505	126BNA042****A	CNPV*4821A**	353(A,B)AV036080	41,000	13.0	15.5
3658507	126BNA042****A	CNPV*4821A**	353(A,B)AV048080	40,500	13.0	15.5
3658525	126BNA042****A	CNPV*4821A**	313*AV048070	40,500	12.0	14.5
3658527	126BNA042****A	CNPV*4821A**	313*AV048090	40,500	13.0	15.5
3658530	126BNA042****A	CNPV*4821A**	313*AV060110	41,000	13.0	16.0
3658497	126BNA042****A	CNPV*4821A**	315(A,J)AV048090	40,500	13.0	15.5
3658500	126BNA042****A	CNPV*4821A**	315(A,J)AV060110	40,500	13.0	16.0
3658503	126BNA042****A	CNPV*4821A**	353(A,B)AV036060	41,000	13.0	15.2
3658510	126BNA042****A	CNPV*4821A**	353(A,B)AV060100	41,000	13.0	16.0
3658513	126BNA042****A	CNPV*4821A**	353AAV036040	41,000	13.0	15.2
3658515	126BNA042****A	CNPV*4821A**	355(A,C)AV042060	40,500	13.0	15.5
3658517	126BNA042****A	CNPV*4821A**	355(A,C)AV042080	40,500	12.5	15.0
3658519	126BNA042****A	CNPV*4821A**	355(A,C)AV060080	40,500	13.0	15.2
3658522	126BNA042****A	CNPV*4821A**	355(A,C)AV060100	40,000	13.0	15.5
3658541	126BNA042****A	CNPV*4821A**	355BAV042060	40,500	13.0	15.5
3658543	126BNA042****A	CNPV*4821A**	355BAV042080	40,500	12.5	15.0
3658545	126BNA042****A	CNPV*4821A**	355BAV060080	40,500	13.0	15.2
3658548	126BNA042****A	CNPV*4821A**	355BAV060100	40,000	13.0	15.5
3658534	126BNA042****A	CNPV*4821A**	368RAN060120	40,500	13.0	16.0
3658538	126BNA042****A	CNPV*4821A**	374RAN060120	40,000	13.0	15.5
3658551	126BNA042****A	CNPV*4821A** + TDR		41,000	12.0	14.0
3658581	126BNA042****A	CNPV*4824A**	313*AV048090	40,500	13.0	16.0
3658584	126BNA042****A	CNPV*4824A**	313*AV060110	41,000	13.0	16.0
3658586	126BNA042****A	CNPV*4824A**	313*AV060135	41,000	13.0	16.0
3658554	126BNA042****A	CNPV*4824A**	315(A,J)AV060110	40,500	13.0	16.0
3658557	126BNA042****A	CNPV*4824A**	315(A,J)AV066135	40,500	13.0	16.0
3658560	126BNA042****A	CNPV*4824A**	315(A,J)AV066155	40,500	13.0	16.0
3658563	126BNA042****A	CNPV*4824A**	353(A,B)AV060100	41,000	13.0	16.0
3658565	126BNA042****A	CNPV*4824A**	353(A,B)AV060120	41,000	13.0	16.0
3658568	126BNA042****A	CNPV*4824A**	355(A,C)AV042080	40,500	12.5	15.0
3658570	126BNA042****A	CNPV*4824A**	355(A,C)AV060080	40,500	13.0	15.2
3658573	126BNA042****A	CNPV*4824A**	355(A,C)AV060100	40,000	13.0	15.5
3658576	126BNA042****A	CNPV*4824A**	355(A,C)AV060120	40,500	13.0	15.5
3658579	126BNA042****A	CNPV*4824A**	355AAV042040	40,000	12.5	15.0
3658595	126BNA042****A	CNPV*4824A**	355BAV042080	40,500	12.5	15.0
3658597	126BNA042****A	CNPV*4824A**	355BAV060080	40,500	13.0	15.2
3658600	126BNA042****A	CNPV*4824A**	355BAV060100	40,000	13.0	15.5
3658603	126BNA042****A	CNPV*4824A**	355BAV060120	40,500	13.0	15.5
3658589	126BNA042****A	CNPV*4824A**	368RAN060120	40,500	13.0	16.0
3658592	126BNA042****A	CNPV*4824A**	374RAN060120	40,000	13.0	15.5
3658606	126BNA042****A	CNPV*4824A** + TDR		41,000	12.0	14.0
3658626	126BNA042****A	CNPV*6024A**	313*AV048090	41,500	13.0	16.0
3658628	126BNA042****A	CNPV*6024A**	313*AV060110	41,500	13.0	16.0
3658630	126BNA042****A	CNPV*6024A**	313*AV060135	41,500	13.0	16.0
3658608	126BNA042****A	CNPV*6024A**	315(A,J)AV060110	41,000	13.0	16.0
3658610	126BNA042****A	CNPV*6024A**	315(A,J)AV066135	41,000	13.0	16.0
3658612	126BNA042****A	CNPV*6024A**	315(A,J)AV066155	41,000	13.0	16.0
3658614	126BNA042****A	CNPV*6024A**	353(A,B)AV060100	41,500	13.0	16.0
3658616	126BNA042****A	CNPV*6024A**	353(A,B)AV060120	41,500	13.0	16.0
3658618	126BNA042****A	CNPV*6024A**	355(A,C)AV042080	41,000	13.0	15.5
3658619	126BNA042****A	CNPV*6024A**	355(A,C)AV060080	41,000	13.0	15.5
3658621	126BNA042****A	CNPV*6024A**	355(A,C)AV060100	40,500	13.0	15.5
3658623	126BNA042****A	CNPV*6024A**	355(A,C)AV060120	41,000	13.0	16.0
3658625	126BNA042****A	CNPV*6024A**	355AAV042040	40,500	13.0	15.5
3658636	126BNA042****A	CNPV*6024A**	355BAV042080	41,000	13.0	15.5
3658637	126BNA042****A	CNPV*6024A**	355BAV060080	41,000	13.0	15.5
3658639	126BNA042****A	CNPV*6024A**	355BAV060100	40,500	13.0	15.5
3658641	126BNA042****A	CNPV*6024A**	355BAV060120	41,000	13.0	16.0
3658632	126BNA042****A	CNPV*6024A**	368RAN060120	41,000	13.0	16.0
3658634	126BNA042****A	CNPV*6024A**	374RAN060120	41,000	13.0	16.0
3658643	126BNA042****A	CNPV*6024A** + TDR		41,500	12.0	14.0
3658842	126BNA042****A	CSPH*4212A**	353(A,B)AV036080	41,000	13.0	15.5
3658845	126BNA042****A	CSPH*4212A**	353(A,B)AV048080	40,500	13.0	15.5
3658873	126BNA042****A	CSPH*4212A**	313*AV048070	40,500	12.0	14.5
3658876	126BNA042****A	CSPH*4212A**	313*AV048090	40,500	13.0	15.5
3658878	126BNA042****A	CSPH*4212A**	313*AV060110	41,000	13.0	16.0
3658879	126BNA042****A	CSPH*4212A**	313*AV060135	40,500	13.0	15.5
3658818	126BNA042****A	CSPH*4212A**	315(A,J)AV036070	40,500	12.5	15.0
3658821	126BNA042****A	CSPH*4212A**	315(A,J)AV048090	40,500	13.0	15.5
3658824	126BNA042****A	CSPH*4212A**	315(A,J)AV060110	40,500	13.0	15.5

See notes on page 37

126B

COMBINATION RATINGS CONTINUED

AHRI Ref. No.	Model Number	Indoor Model	Furnace Model	Capacity	EER	SEER
3658827	126BNA042****A	CSPH*4212A**	315(A,J)AV066135	40,500	13.0	16.0
3658830	126BNA042****A	CSPH*4212A**	315(A,J)AV066155	40,500	13.0	16.0
3658839	126BNA042****A	CSPH*4212A**	353(A,B)AV036060	41,000	12.5	15.0
3658847	126BNA042****A	CSPH*4212A**	353(A,B)AV060100	41,000	13.0	16.0
3658848	126BNA042****A	CSPH*4212A**	353(A,B)AV060120	41,000	13.0	16.0
3658851	126BNA042****A	CSPH*4212A**	353AAV036040	41,000	13.0	15.2
3658854	126BNA042****A	CSPH*4212A**	355(A,C)AV042060	41,000	13.0	15.2
3658857	126BNA042****A	CSPH*4212A**	355(A,C)AV042080	40,500	12.5	15.0
3658860	126BNA042****A	CSPH*4212A**	355(A,C)AV060080	40,500	12.5	15.0
3658863	126BNA042****A	CSPH*4212A**	355(A,C)AV060100	40,500	13.0	15.2
3658866	126BNA042****A	CSPH*4212A**	355(A,C)AV060120	40,500	13.0	15.5
3658869	126BNA042****A	CSPH*4212A**	355AAV042040	40,500	12.5	15.0
3658890	126BNA042****A	CSPH*4212A**	355BAV042060	41,000	13.0	15.2
3658893	126BNA042****A	CSPH*4212A**	355BAV042080	40,500	12.5	15.0
3658896	126BNA042****A	CSPH*4212A**	355BAV060080	40,500	12.5	15.0
3658899	126BNA042****A	CSPH*4212A**	355BAV060100	40,500	13.0	15.2
3658902	126BNA042****A	CSPH*4212A**	355BAV060120	40,500	13.0	15.5
3658834	126BNA042****A	CSPH*4212A**	359BAV060080	41,000	12.5	15.0
3658836	126BNA042****A	CSPH*4212A**	359BAV060100	41,000	13.0	15.5
3658883	126BNA042****A	CSPH*4212A**	368RAN060120	40,500	13.0	15.5
3658887	126BNA042****A	CSPH*4212A**	374RAN060120	40,500	13.0	15.5
3658905	126BNA042****A	CSPH*4212A**+TDR		41,000	12.0	14.0
3658927	126BNA042****A	CSPH*4812A**	353(A,B)AV036080	41,000	13.0	15.5
3658929	126BNA042****A	CSPH*4812A**	353(A,B)AV048080	41,000	13.0	15.5
3658955	126BNA042****A	CSPH*4812A**	313*AV048070	40,500	12.5	14.5
3658957	126BNA042****A	CSPH*4812A**	313*AV048090	41,000	13.0	16.0
3658960	126BNA042****A	CSPH*4812A**	313*AV060110	41,000	13.0	16.0
3658962	126BNA042****A	CSPH*4812A**	313*AV060135	41,000	13.0	16.0
3658907	126BNA042****A	CSPH*4812A**	315(A,J)AV036070	40,500	12.5	15.0
3658909	126BNA042****A	CSPH*4812A**	315(A,J)AV048090	40,500	13.0	15.5
3658912	126BNA042****A	CSPH*4812A**	315(A,J)AV060110	41,000	13.0	15.5
3658915	126BNA042****A	CSPH*4812A**	315(A,J)AV066135	41,000	13.0	16.0
3658918	126BNA042****A	CSPH*4812A**	315(A,J)AV066155	41,000	13.0	16.0
3658925	126BNA042****A	CSPH*4812A**	353(A,B)AV036060	41,000	13.0	15.2
3658932	126BNA042****A	CSPH*4812A**	353(A,B)AV060100	41,000	13.0	16.0
3658934	126BNA042****A	CSPH*4812A**	353(A,B)AV060120	41,000	13.0	16.0
3658937	126BNA042****A	CSPH*4812A**	353AAV036040	41,000	13.0	15.5
3658939	126BNA042****A	CSPH*4812A**	355(A,C)AV042060	41,000	13.0	15.2
3658941	126BNA042****A	CSPH*4812A**	355(A,C)AV042080	40,500	12.5	15.0
3658943	126BNA042****A	CSPH*4812A**	355(A,C)AV060080	40,500	12.5	15.0
3658946	126BNA042****A	CSPH*4812A**	355(A,C)AV060100	40,500	13.0	15.2
3658949	126BNA042****A	CSPH*4812A**	355(A,C)AV060120	40,500	13.0	15.5
3658952	126BNA042****A	CSPH*4812A**	355AAV042040	40,500	12.5	15.0
3658973	126BNA042****A	CSPH*4812A**	355BAV042060	41,000	13.0	15.2
3658975	126BNA042****A	CSPH*4812A**	355BAV042080	40,500	12.5	15.0
3658977	126BNA042****A	CSPH*4812A**	355BAV060080	40,500	12.5	15.0
3658980	126BNA042****A	CSPH*4812A**	355BAV060100	40,500	13.0	15.2
3658983	126BNA042****A	CSPH*4812A**	355BAV060120	40,500	13.0	15.5
3658920	126BNA042****A	CSPH*4812A**	359BAV060080	41,000	12.5	15.0
3658922	126BNA042****A	CSPH*4812A**	359BAV060100	41,000	13.0	15.5
3658966	126BNA042****A	CSPH*4812A**	368RAN060120	40,500	13.0	16.0
3658970	126BNA042****A	CSPH*4812A**	374RAN060120	40,500	13.0	15.5
3658986	126BNA042****A	CSPH*4812A**+TDR		41,000	12.0	14.0
3659000	126BNA042****A	CSPH*6012A**	353(A,B)AV036080	41,500	13.0	16.0
3659001	126BNA042****A	CSPH*6012A**	353(A,B)AV048080	41,500	13.0	16.0
3659017	126BNA042****A	CSPH*6012A**	313*AV048070	41,500	12.5	15.0
3659018	126BNA042****A	CSPH*6012A**	313*AV048090	41,500	13.0	16.0
3659020	126BNA042****A	CSPH*6012A**	313*AV060110	41,500	13.0	16.0
3659022	126BNA042****A	CSPH*6012A**	313*AV060135	41,500	13.0	16.0
3658988	126BNA042****A	CSPH*6012A**	315(A,J)AV036070	41,000	13.0	15.5
3658989	126BNA042****A	CSPH*6012A**	315(A,J)AV048090	41,000	13.0	16.0
3658991	126BNA042****A	CSPH*6012A**	315(A,J)AV060110	41,500	13.0	16.0
3658993	126BNA042****A	CSPH*6012A**	315(A,J)AV066135	41,500	13.0	16.0
3658995	126BNA042****A	CSPH*6012A**	315(A,J)AV066155	41,500	13.0	16.0
3658999	126BNA042****A	CSPH*6012A**	353(A,B)AV036060	41,500	13.0	15.5
3659003	126BNA042****A	CSPH*6012A**	353(A,B)AV060100	41,500	13.0	16.0
3659005	126BNA042****A	CSPH*6012A**	353(A,B)AV060120	41,500	13.0	16.0
3659007	126BNA042****A	CSPH*6012A**	353AAV036040	41,500	13.0	15.5
3659008	126BNA042****A	CSPH*6012A**	355(A,C)AV042060	41,500	13.0	16.0
3659009	126BNA042****A	CSPH*6012A**	355(A,C)AV042080	41,000	13.0	15.5
3659010	126BNA042****A	CSPH*6012A**	355(A,C)AV060080	41,000	13.0	15.5
3659012	126BNA042****A	CSPH*6012A**	355(A,C)AV060100	41,000	13.0	15.5
3659014	126BNA042****A	CSPH*6012A**	355(A,C)AV060120	41,000	13.0	16.0
3659016	126BNA042****A	CSPH*6012A**	355AAV042040	41,000	13.0	15.5
3659028	126BNA042****A	CSPH*6012A**	355BAV042060	41,500	13.0	16.0
3659029	126BNA042****A	CSPH*6012A**	355BAV042080	41,000	13.0	15.5
3659030	126BNA042****A	CSPH*6012A**	355BAV060080	41,000	13.0	15.5
3659032	126BNA042****A	CSPH*6012A**	355BAV060100	41,000	13.0	15.5
3659034	126BNA042****A	CSPH*6012A**	355BAV060120	41,000	13.0	16.0

See notes on page 37

COMBINATION RATINGS CONTINUED

AHRI Ref. No.	Model Number	Indoor Model	Furnace Model	Capacity	EER	SEER
3659024	126BNA042****A	CSPH*6012A**	368RAN060120	41,000	13.0	16.0
3659026	126BNA042****A	CSPH*6012A**	374RAN060120	41,000	13.0	16.0
3659036	126BNA042****A	CSPH*6012A**+TDR		41,500	12.0	14.5
3659041	126BNA042****A	FE4AN(B,F)003+UI		40,000	13.0	15.5
3659044	126BNA042****A	FE4AN(B,F)005+UI		41,000	13.0	16.0
3659047	126BNA042****A	FE4ANB006+UI		41,500	13.0	16.0
3659055	126BNA042****A	FE5ANB004+UI		41,500	13.0	16.0
3659075	126BNA042****A	FV4BN(B,F)003		40,000	13.0	15.5
3659078	126BNA042****A	FV4BN(B,F)005		41,000	13.0	16.0
3659081	126BNA042****A	FV4BNB006		41,500	13.0	16.0
3658661	126BNA048****A	†CNPV*6124A**+TDR		46,500	12.5	14.5
3657482	126BNA048****A	CAP**4817A**	353(A,B)AV048080	45,000	12.5	14.5
3657475	126BNA048****A	CAP**4817A**	315(A,J)AV048090	44,500	12.5	14.5
3657496	126BNA048****A	CAP**4817A**+TDR		44,500	12.0	14.0
3657509	126BNA048****A	CAP**4821A**	353(A,B)AV048080	44,500	12.5	14.5
3657529	126BNA048****A	CAP**4821A**	313*AV048090	44,500	12.5	14.5
3657532	126BNA048****A	CAP**4821A**	313*AV060110	44,500	13.0	15.0
3657499	126BNA048****A	CAP**4821A**	315(A,J)AV048090	44,000	12.5	14.5
3657502	126BNA048****A	CAP**4821A**	315(A,J)AV060110	44,500	12.5	14.5
3657512	126BNA048****A	CAP**4821A**	353(A,B)AV060100	44,500	12.5	14.5
3657521	126BNA048****A	CAP**4821A**	355(A,C)AV060080	44,000	12.5	14.5
3657524	126BNA048****A	CAP**4821A**	355(A,C)AV060100	44,500	12.5	14.0
3657547	126BNA048****A	CAP**4821A**	355BAV060080	44,000	12.5	14.5
3657550	126BNA048****A	CAP**4821A**	355BAV060100	44,500	12.5	14.0
3657536	126BNA048****A	CAP**4821A**	368RAN060120	44,000	12.5	14.5
3657540	126BNA048****A	CAP**4821A**	374RAN060120	44,000	12.0	14.5
3657553	126BNA048****A	CAP**4821A**+TDR		45,000	12.0	14.0
3657557	126BNA048****A	CAP**4823A**	359BAV060080	44,500	12.5	14.0
3657560	126BNA048****A	CAP**4823A**+TDR		45,000	12.0	14.0
3657590	126BNA048****A	CAP**4824A**	313*AV048090	44,500	12.5	14.5
3657593	126BNA048****A	CAP**4824A**	313*AV060110	44,500	13.0	15.2
3657595	126BNA048****A	CAP**4824A**	313*AV060135	44,500	12.5	15.0
3657563	126BNA048****A	CAP**4824A**	315(A,J)AV060110	44,500	12.5	14.5
3657566	126BNA048****A	CAP**4824A**	315(A,J)AV066135	44,500	13.0	15.0
3657569	126BNA048****A	CAP**4824A**	315(A,J)AV066155	44,500	13.0	15.2
3657572	126BNA048****A	CAP**4824A**	353(A,B)AV060100	44,500	13.0	15.0
3657574	126BNA048****A	CAP**4824A**	353(A,B)AV060120	45,000	13.0	15.2
3657579	126BNA048****A	CAP**4824A**	355(A,C)AV060080	44,000	12.5	14.5
3657582	126BNA048****A	CAP**4824A**	355(A,C)AV060100	44,500	12.5	14.5
3657585	126BNA048****A	CAP**4824A**	355(A,C)AV060120	44,500	12.5	14.5
3657606	126BNA048****A	CAP**4824A**	355BAV060080	44,000	12.5	14.5
3657609	126BNA048****A	CAP**4824A**	355BAV060100	44,500	12.5	14.5
3657612	126BNA048****A	CAP**4824A**	355BAV060120	44,500	12.5	14.5
3657598	126BNA048****A	CAP**4824A**	368RAN060120	44,000	12.5	15.0
3657601	126BNA048****A	CAP**4824A**	374RAN060120	44,000	12.5	14.5
3657615	126BNA048****A	CAP**4824A**+TDR		45,000	12.0	14.0
3657623	126BNA048****A	CAP**6021A**	353(A,B)AV048080	45,500	12.5	14.5
3657635	126BNA048****A	CAP**6021A**	313*AV048090	45,500	13.0	15.2
3657637	126BNA048****A	CAP**6021A**	313*AV060110	45,500	13.0	15.5
3657617	126BNA048****A	CAP**6021A**	315(A,J)AV048090	45,000	13.0	15.0
3657619	126BNA048****A	CAP**6021A**	315(A,J)AV060110	45,000	13.0	15.2
3657625	126BNA048****A	CAP**6021A**	353(A,B)AV060100	45,500	13.0	15.5
3657630	126BNA048****A	CAP**6021A**	355(A,C)AV060080	45,000	12.5	14.5
3657632	126BNA048****A	CAP**6021A**	355(A,C)AV060100	45,000	12.5	14.5
3657645	126BNA048****A	CAP**6021A**	355BAV060080	45,000	12.5	14.5
3657647	126BNA048****A	CAP**6021A**	355BAV060100	45,000	12.5	14.5
3657639	126BNA048****A	CAP**6021A**	368RAN060120	45,000	13.0	15.0
3657641	126BNA048****A	CAP**6021A**	374RAN060120	45,000	12.5	15.0
3657649	126BNA048****A	CAP**6021A**+TDR		45,500	12.5	14.0
3657669	126BNA048****A	CAP**6024A**	313*AV048090	45,500	13.0	15.2
3657671	126BNA048****A	CAP**6024A**	313*AV060110	45,500	13.0	15.5
3657673	126BNA048****A	CAP**6024A**	313*AV060135	45,500	13.0	15.0
3657651	126BNA048****A	CAP**6024A**	315(A,J)AV060110	45,000	13.0	15.0
3657653	126BNA048****A	CAP**6024A**	315(A,J)AV066135	45,500	13.0	15.5
3657655	126BNA048****A	CAP**6024A**	315(A,J)AV066155	45,500	13.0	15.5
3657657	126BNA048****A	CAP**6024A**	353(A,B)AV060100	45,500	13.0	15.5
3657659	126BNA048****A	CAP**6024A**	353(A,B)AV060120	45,500	13.0	15.5
3657662	126BNA048****A	CAP**6024A**	355(A,C)AV060080	45,000	12.5	14.5
3657664	126BNA048****A	CAP**6024A**	355(A,C)AV060100	45,000	12.5	14.5
3657666	126BNA048****A	CAP**6024A**	355(A,C)AV060120	45,000	13.0	15.2
3657680	126BNA048****A	CAP**6024A**	355BAV060080	45,000	12.5	14.5
3657682	126BNA048****A	CAP**6024A**	355BAV060100	45,000	12.5	14.5
3657684	126BNA048****A	CAP**6024A**	355BAV060120	45,000	13.0	15.2
3657675	126BNA048****A	CAP**6024A**	368RAN060120	45,000	13.0	15.5
3657677	126BNA048****A	CAP**6024A**	374RAN060120	45,000	12.5	15.0
3657686	126BNA048****A	CAP**6024A**+TDR		45,500	12.5	14.0
3657688	126BNA048****A	CAP**6025A**	359BAV060080	45,500	12.5	14.5
3657690	126BNA048****A	CAP**6025A**	359BAV060100	45,500	13.0	15.0

See notes on page 37

COMBINATION RATINGS CONTINUED

AHRI Ref. No.	Model Number	Indoor Model	Furnace Model	Capacity	EER	SEER
3657692	126BNA048****A	CAP**6025A**+TDR		45,500	12.5	14.0
3657700	126BNA048****A	CNPF*4818A**+TDR		44,000	12.0	13.5
3658045	126BNA048****A	CNPH*4821A**	353(A,B)AV048080	44,500	12.5	14.5
3658073	126BNA048****A	CNPH*4821A**	313*AV048090	44,500	12.5	14.5
3658076	126BNA048****A	CNPH*4821A**	313*AV060110	44,500	13.0	15.2
3658078	126BNA048****A	CNPH*4821A**	313*AV060135	44,500	13.0	15.2
3658029	126BNA048****A	CNPH*4821A**	315(A,J)AV048090	44,500	12.5	14.5
3658032	126BNA048****A	CNPH*4821A**	315(A,J)AV060110	44,500	12.5	14.5
3658035	126BNA048****A	CNPH*4821A**	315(A,J)AV066135	44,500	13.0	15.2
3658038	126BNA048****A	CNPH*4821A**	315(A,J)AV066155	44,500	13.0	15.2
3658048	126BNA048****A	CNPH*4821A**	353(A,B)AV060100	45,000	13.0	15.2
3658050	126BNA048****A	CNPH*4821A**	353(A,B)AV060120	45,000	13.0	15.2
3658059	126BNA048****A	CNPH*4821A**	355(A,C)AV060080	44,000	12.5	14.5
3658062	126BNA048****A	CNPH*4821A**	355(A,C)AV060100	44,500	12.5	14.5
3658065	126BNA048****A	CNPH*4821A**	355(A,C)AV060120	44,500	12.5	14.5
3658093	126BNA048****A	CNPH*4821A**	355BAV060080	44,000	12.5	14.5
3658096	126BNA048****A	CNPH*4821A**	355BAV060100	44,500	12.5	14.5
3658099	126BNA048****A	CNPH*4821A**	355BAV060120	44,500	12.5	14.5
3658082	126BNA048****A	CNPH*4821A**	368RAN060120	44,500	12.5	15.0
3658086	126BNA048****A	CNPH*4821A**	374RAN060120	44,000	12.5	14.5
3658102	126BNA048****A	CNPH*4821A**+TDR		45,000	12.0	14.0
3658115	126BNA048****A	CNPH*6024A**	353(A,B)AV048080	45,500	12.5	14.5
3658132	126BNA048****A	CNPH*6024A**	313*AV048090	45,500	13.0	15.2
3658134	126BNA048****A	CNPH*6024A**	313*AV060110	45,500	13.0	15.5
3658136	126BNA048****A	CNPH*6024A**	313*AV060135	45,500	13.0	15.5
3658105	126BNA048****A	CNPH*6024A**	315(A,J)AV048090	45,000	13.0	15.2
3658107	126BNA048****A	CNPH*6024A**	315(A,J)AV060110	45,000	13.0	15.2
3658109	126BNA048****A	CNPH*6024A**	315(A,J)AV066135	45,500	13.0	15.5
3658111	126BNA048****A	CNPH*6024A**	315(A,J)AV066155	45,500	13.0	16.0
3658117	126BNA048****A	CNPH*6024A**	353(A,B)AV060100	45,500	13.0	15.5
3658119	126BNA048****A	CNPH*6024A**	353(A,B)AV060120	45,500	13.0	15.5
3658124	126BNA048****A	CNPH*6024A**	355(A,C)AV060080	45,000	13.0	15.0
3658126	126BNA048****A	CNPH*6024A**	355(A,C)AV060100	45,000	12.5	14.5
3658128	126BNA048****A	CNPH*6024A**	355(A,C)AV060120	45,000	13.0	15.2
3658145	126BNA048****A	CNPH*6024A**	355BAV060080	45,000	13.0	15.0
3658147	126BNA048****A	CNPH*6024A**	355BAV060100	45,000	12.5	14.5
3658149	126BNA048****A	CNPH*6024A**	355BAV060120	45,000	13.0	15.2
3658138	126BNA048****A	CNPH*6024A**	368RAN060120	45,000	13.0	15.5
3658140	126BNA048****A	CNPH*6024A**	374RAN060120	45,000	12.5	15.0
3658152	126BNA048****A	CNPH*6024A**+TDR		45,500	12.5	14.0
3658157	126BNA048****A	CNPH*6124A**	353(A,B)AV048080	45,500	13.0	15.0
3658163	126BNA048****A	CNPH*6124A**	313*AV048090	45,500	13.0	15.0
3658164	126BNA048****A	CNPH*6124A**	313*AV060110	45,500	13.0	15.5
3658165	126BNA048****A	CNPH*6124A**	313*AV060135	45,500	13.0	15.0
3658153	126BNA048****A	CNPH*6124A**	315(A,J)AV048090	45,500	13.0	15.0
3658154	126BNA048****A	CNPH*6124A**	315(A,J)AV060110	45,500	13.0	15.0
3658155	126BNA048****A	CNPH*6124A**	315(A,J)AV066135	45,500	13.0	15.5
3658156	126BNA048****A	CNPH*6124A**	315(A,J)AV066155	45,500	13.0	15.5
3658158	126BNA048****A	CNPH*6124A**	353(A,B)AV060100	45,500	13.0	15.5
3658159	126BNA048****A	CNPH*6124A**	353(A,B)AV060120	46,000	13.0	15.5
3658160	126BNA048****A	CNPH*6124A**	355(A,C)AV060080	45,000	12.5	15.0
3658161	126BNA048****A	CNPH*6124A**	355(A,C)AV060100	45,500	12.5	14.5
3658162	126BNA048****A	CNPH*6124A**	355(A,C)AV060120	45,500	13.0	15.0
3658168	126BNA048****A	CNPH*6124A**	355BAV060080	45,000	12.5	15.0
3658169	126BNA048****A	CNPH*6124A**	355BAV060100	45,500	12.5	14.5
3658170	126BNA048****A	CNPH*6124A**	355BAV060120	45,500	13.0	15.0
3658166	126BNA048****A	CNPH*6124A**	368RAN060120	45,000	13.0	15.5
3658167	126BNA048****A	CNPH*6124A**	374RAN060120	45,000	12.5	15.0
3658171	126BNA048****A	CNPH*6124A**+TDR		46,000	12.5	14.5
3658508	126BNA048****A	CNPV*4821A**	353(A,B)AV048080	44,500	12.5	14.5
3658528	126BNA048****A	CNPV*4821A**	313*AV048090	44,500	12.5	14.5
3658531	126BNA048****A	CNPV*4821A**	313*AV060110	44,500	13.0	15.0
3658498	126BNA048****A	CNPV*4821A**	315(A,J)AV048090	44,500	12.5	14.5
3658501	126BNA048****A	CNPV*4821A**	315(A,J)AV060110	44,500	12.5	14.5
3658511	126BNA048****A	CNPV*4821A**	353(A,B)AV060100	45,000	13.0	15.2
3658520	126BNA048****A	CNPV*4821A**	355(A,C)AV060080	44,000	12.5	14.5
3658523	126BNA048****A	CNPV*4821A**	355(A,C)AV060100	44,500	12.5	14.5
3658546	126BNA048****A	CNPV*4821A**	355BAV060080	44,000	12.5	14.5
3658549	126BNA048****A	CNPV*4821A**	355BAV060100	44,500	12.5	14.5
3658535	126BNA048****A	CNPV*4821A**	368RAN060120	44,500	12.5	15.0
3658539	126BNA048****A	CNPV*4821A**	374RAN060120	44,000	12.5	14.5
3658552	126BNA048****A	CNPV*4821A**+TDR		45,000	12.0	14.0
3658582	126BNA048****A	CNPV*4824A**	313*AV048090	44,500	12.5	14.5
3658585	126BNA048****A	CNPV*4824A**	313*AV060110	44,500	13.0	15.2
3658587	126BNA048****A	CNPV*4824A**	313*AV060135	44,500	13.0	15.2
3658555	126BNA048****A	CNPV*4824A**	315(A,J)AV060110	44,500	12.5	14.5
3658558	126BNA048****A	CNPV*4824A**	315(A,J)AV066135	44,500	13.0	15.2
3658561	126BNA048****A	CNPV*4824A**	315(A,J)AV066155	44,500	13.0	15.2
3658564	126BNA048****A	CNPV*4824A**	353(A,B)AV060100	45,000	13.0	15.2

See notes on page 37

COMBINATION RATINGS CONTINUED

AHRI Ref. No.	Model Number	Indoor Model	Furnace Model	Capacity	EER	SEER
3658566	126BNA048****A	CNPV*4824A**	353(A,B)AV060120	45,000	13.0	15.2
3658571	126BNA048****A	CNPV*4824A**	355(A,C)AV060080	44,000	12.5	14.5
3658574	126BNA048****A	CNPV*4824A**	355(A,C)AV060100	44,500	12.5	14.5
3658577	126BNA048****A	CNPV*4824A**	355(A,C)AV060120	44,500	12.5	14.5
3658598	126BNA048****A	CNPV*4824A**	355BAV060080	44,000	12.5	14.5
3658601	126BNA048****A	CNPV*4824A**	355BAV060100	44,500	12.5	14.5
3658604	126BNA048****A	CNPV*4824A**	355BAV060120	44,500	12.5	14.5
3658590	126BNA048****A	CNPV*4824A**	368RAN060120	44,500	12.5	15.0
3658593	126BNA048****A	CNPV*4824A**	374RAN060120	44,000	12.5	14.5
3658607	126BNA048****A	CNPV*4824A** + TDR		45,000	12.0	14.0
3658627	126BNA048****A	CNPV*6024A**	313*AV048090	45,500	13.0	15.2
3658629	126BNA048****A	CNPV*6024A**	313*AV060110	45,500	13.0	15.5
3658631	126BNA048****A	CNPV*6024A**	313*AV060135	45,500	13.0	15.5
3658609	126BNA048****A	CNPV*6024A**	315(A,J)AV060110	45,000	13.0	15.2
3658611	126BNA048****A	CNPV*6024A**	315(A,J)AV066135	45,500	13.0	15.5
3658613	126BNA048****A	CNPV*6024A**	315(A,J)AV066155	45,500	13.0	16.0
3658615	126BNA048****A	CNPV*6024A**	353(A,B)AV060100	45,500	13.0	15.5
3658617	126BNA048****A	CNPV*6024A**	353(A,B)AV060120	45,500	13.0	15.5
3658620	126BNA048****A	CNPV*6024A**	355(A,C)AV060080	45,000	13.0	15.0
3658622	126BNA048****A	CNPV*6024A**	355(A,C)AV060100	45,000	12.5	14.5
3658624	126BNA048****A	CNPV*6024A**	355(A,C)AV060120	45,000	13.0	15.2
3658638	126BNA048****A	CNPV*6024A**	355BAV060080	45,000	13.0	15.0
3658640	126BNA048****A	CNPV*6024A**	355BAV060100	45,000	12.5	14.5
3658642	126BNA048****A	CNPV*6024A**	355BAV060120	45,000	13.0	15.2
3658633	126BNA048****A	CNPV*6024A**	368RAN060120	45,000	13.0	15.5
3658635	126BNA048****A	CNPV*6024A**	374RAN060120	45,000	12.5	15.0
3658644	126BNA048****A	CNPV*6024A** + TDR		45,500	12.5	14.0
3658653	126BNA048****A	CNPV*6124A**	313*AV048090	46,000	13.0	15.5
3658654	126BNA048****A	CNPV*6124A**	313*AV060110	46,000	13.0	16.0
3658655	126BNA048****A	CNPV*6124A**	313*AV060135	46,000	13.0	16.0
3658645	126BNA048****A	CNPV*6124A**	315(A,J)AV060110	46,000	13.0	15.5
3658646	126BNA048****A	CNPV*6124A**	315(A,J)AV066135	46,000	13.0	16.0
3658647	126BNA048****A	CNPV*6124A**	315(A,J)AV066155	46,000	13.0	16.0
3658648	126BNA048****A	CNPV*6124A**	353(A,B)AV060100	46,000	13.0	16.0
3658649	126BNA048****A	CNPV*6124A**	353(A,B)AV060120	46,500	13.0	16.0
3658650	126BNA048****A	CNPV*6124A**	355(A,C)AV060080	45,500	13.0	15.2
3658651	126BNA048****A	CNPV*6124A**	355(A,C)AV060100	46,000	13.0	15.2
3658652	126BNA048****A	CNPV*6124A**	355(A,C)AV060120	45,500	13.0	15.5
3658658	126BNA048****A	CNPV*6124A**	355BAV060080	45,500	13.0	15.2
3658659	126BNA048****A	CNPV*6124A**	355BAV060100	46,000	13.0	15.2
3658660	126BNA048****A	CNPV*6124A**	355BAV060120	45,500	13.0	15.5
3658656	126BNA048****A	CNPV*6124A**	368RAN060120	45,500	13.0	16.0
3658657	126BNA048****A	CNPV*6124A**	374RAN060120	45,500	13.0	15.5
3658930	126BNA048****A	CSPH*4812A**	353(A,B)AV048080	45,000	12.5	14.5
3658958	126BNA048****A	CSPH*4812A**	313*AV048090	45,000	13.0	15.0
3658961	126BNA048****A	CSPH*4812A**	313*AV060110	45,000	13.0	15.0
3658963	126BNA048****A	CSPH*4812A**	313*AV060135	45,000	13.0	15.0
3658910	126BNA048****A	CSPH*4812A**	315(A,J)AV048090	45,000	12.5	14.5
3658913	126BNA048****A	CSPH*4812A**	315(A,J)AV060110	45,000	12.5	14.5
3658916	126BNA048****A	CSPH*4812A**	315(A,J)AV066135	45,000	13.0	15.0
3658919	126BNA048****A	CSPH*4812A**	315(A,J)AV066155	45,000	13.0	15.0
3658933	126BNA048****A	CSPH*4812A**	353(A,B)AV060100	45,000	13.0	15.0
3658935	126BNA048****A	CSPH*4812A**	353(A,B)AV060120	45,000	13.0	15.0
3658944	126BNA048****A	CSPH*4812A**	355(A,C)AV060080	44,500	12.5	14.5
3658947	126BNA048****A	CSPH*4812A**	355(A,C)AV060100	45,000	12.5	14.5
3658950	126BNA048****A	CSPH*4812A**	355(A,C)AV060120	45,000	12.5	14.5
3658978	126BNA048****A	CSPH*4812A**	355BAV060080	44,500	12.5	14.5
3658981	126BNA048****A	CSPH*4812A**	355BAV060100	45,000	12.5	14.5
3658984	126BNA048****A	CSPH*4812A**	355BAV060120	45,000	12.5	14.5
3658921	126BNA048****A	CSPH*4812A**	359BAV060080	45,000	12.5	14.5
3658923	126BNA048****A	CSPH*4812A**	359BAV060100	45,000	12.5	14.5
3658967	126BNA048****A	CSPH*4812A**	368RAN060120	44,500	12.5	15.0
3658971	126BNA048****A	CSPH*4812A**	374RAN060120	44,500	12.5	14.5
3658987	126BNA048****A	CSPH*4812A** + TDR		45,500	12.0	14.0
3659002	126BNA048****A	CSPH*6012A**	353(A,B)AV048080	45,500	13.0	15.0
3659019	126BNA048****A	CSPH*6012A**	313*AV048090	45,500	13.0	15.0
3659021	126BNA048****A	CSPH*6012A**	313*AV060110	46,000	13.0	16.0
3659023	126BNA048****A	CSPH*6012A**	313*AV060135	46,000	13.0	15.5
3658990	126BNA048****A	CSPH*6012A**	315(A,J)AV048090	45,500	13.0	15.0
3658992	126BNA048****A	CSPH*6012A**	315(A,J)AV060110	45,500	13.0	15.5
3658994	126BNA048****A	CSPH*6012A**	315(A,J)AV066135	45,500	13.0	15.5
3658996	126BNA048****A	CSPH*6012A**	315(A,J)AV066155	45,500	13.0	16.0
3659004	126BNA048****A	CSPH*6012A**	353(A,B)AV060100	46,000	13.0	15.5
3659006	126BNA048****A	CSPH*6012A**	353(A,B)AV060120	46,000	13.0	16.0
3659011	126BNA048****A	CSPH*6012A**	355(A,C)AV060080	45,000	13.0	15.0
3659013	126BNA048****A	CSPH*6012A**	355(A,C)AV060100	45,500	13.0	15.0
3659015	126BNA048****A	CSPH*6012A**	355(A,C)AV060120	45,500	13.0	15.0
3659031	126BNA048****A	CSPH*6012A**	355BAV060080	45,000	13.0	15.0
3659033	126BNA048****A	CSPH*6012A**	355BAV060100	45,500	13.0	15.0

See notes on page 37

126B

COMBINATION RATINGS CONTINUED

AHRI Ref. No.	Model Number	Indoor Model	Furnace Model	Capacity	EER	SEER
3659035	126BNA048****A	CSPH*6012A**	355BAV060120	45,500	13.0	15.0
3658997	126BNA048****A	CSPH*6012A**	359BAV060080	46,000	13.0	14.5
3658998	126BNA048****A	CSPH*6012A**	359BAV060100	45,500	13.0	15.0
3659025	126BNA048****A	CSPH*6012A**	368RAN060120	45,000	13.0	15.5
3659027	126BNA048****A	CSPH*6012A**	374RAN060120	45,000	13.0	15.0
3659037	126BNA048****A	CSPH*6012A**+TDR		46,000	12.5	14.5
3659045	126BNA048****A	FE4AN(B,F)005+UI		45,500	13.0	15.5
3659048	126BNA048****A	FE4ANB006+UI		46,000	13.0	16.0
3659079	126BNA048****A	FV4BN(B,F)005		45,500	13.0	15.5
3659082	126BNA048****A	FV4BNB006		46,000	13.0	16.0
3680426	126BNA060****A	†CNPV*6124A**+TDR		55,000	12.5	14.5
3680429	126BNA060****A	CAP**6021A**	313*AV060110	53,500	13.0	15.5
3680428	126BNA060****A	CAP**6021A**	315(A,J)AV060110	53,500	12.5	15.0
3680430	126BNA060****A	CAP**6021A**	353(A,B)AV060100	53,500	13.0	15.2
3680427	126BNA060****A	CAP**6021A**+TDR		53,500	12.5	14.5
3680483	126BNA060****A	CAP**6024A**	313*AV060110	53,500	13.0	15.5
3680434	126BNA060****A	CAP**6024A**	313*AV060135	53,500	13.0	15.2
3680482	126BNA060****A	CAP**6024A**	315(A,J)AV060110	53,500	13.0	15.2
3680432	126BNA060****A	CAP**6024A**	315(A,J)AV066135	53,500	13.0	15.5
3680433	126BNA060****A	CAP**6024A**	315(A,J)AV066155	54,000	13.0	15.5
3680484	126BNA060****A	CAP**6024A**	353(A,B)AV060100	53,500	13.0	15.2
3680435	126BNA060****A	CAP**6024A**	353(A,B)AV060120	53,500	13.0	15.5
3680485	126BNA060****A	CAP**6024A**	368RAN060120	53,500	12.5	15.0
3680431	126BNA060****A	CAP**6024A**+TDR		54,500	12.5	14.5
3680436	126BNA060****A	CAP**6025A**+TDR		54,500	12.5	14.5
3680451	126BNA060****A	CNPH*6024A**	313*AV060110	54,000	13.0	15.5
3680452	126BNA060****A	CNPH*6024A**	313*AV060135	53,500	13.0	15.2
3680448	126BNA060****A	CNPH*6024A**	315(A,J)AV060110	53,500	13.0	15.2
3680449	126BNA060****A	CNPH*6024A**	315(A,J)AV066135	53,500	13.0	15.5
3680450	126BNA060****A	CNPH*6024A**	315(A,J)AV066155	54,000	13.0	15.5
3680453	126BNA060****A	CNPH*6024A**	353(A,B)AV048080	53,000	12.5	15.0
3680454	126BNA060****A	CNPH*6024A**	353(A,B)AV060100	53,500	13.0	15.2
3680455	126BNA060****A	CNPH*6024A**	353(A,B)AV060120	53,500	13.0	15.5
3680494	126BNA060****A	CNPH*6024A**	368RAN060120	53,500	12.5	15.0
3680447	126BNA060****A	CNPH*6024A**+TDR		54,500	12.5	14.5
3680460	126BNA060****A	CNPH*6124A**	313*AV060110	54,000	13.0	15.5
3680461	126BNA060****A	CNPH*6124A**	313*AV060135	53,500	13.0	15.2
3680457	126BNA060****A	CNPH*6124A**	315(A,J)AV060110	54,000	13.0	15.2
3680458	126BNA060****A	CNPH*6124A**	315(A,J)AV066135	54,000	13.0	15.5
3680459	126BNA060****A	CNPH*6124A**	315(A,J)AV066155	54,000	13.0	15.5
3680462	126BNA060****A	CNPH*6124A**	353(A,B)AV060100	53,500	13.0	15.2
3680463	126BNA060****A	CNPH*6124A**	353(A,B)AV060120	54,000	13.0	15.5
3680456	126BNA060****A	CNPH*6124A**+TDR		54,000	12.5	14.5
3680492	126BNA060****A	CNPV*6024A**	313*AV060110	54,000	13.0	15.5
3680440	126BNA060****A	CNPV*6024A**	313*AV060135	53,500	13.0	15.2
3680491	126BNA060****A	CNPV*6024A**	315(A,J)AV060110	53,500	12.5	15.2
3680438	126BNA060****A	CNPV*6024A**	315(A,J)AV066135	53,500	13.0	15.5
3680439	126BNA060****A	CNPV*6024A**	315(A,J)AV066155	54,000	13.0	15.5
3680441	126BNA060****A	CNPV*6024A**	353(A,B)AV060120	53,500	13.0	15.5
3680493	126BNA060****A	CNPV*6024A**	368RAN060120	53,500	12.5	15.0
3680437	126BNA060****A	CNPV*6024A**+TDR		54,500	12.5	14.5
3680487	126BNA060****A	CNPV*6124A**	313*AV060110	54,500	13.0	15.5
3680445	126BNA060****A	CNPV*6124A**	313*AV060135	54,500	13.0	15.5
3680486	126BNA060****A	CNPV*6124A**	315(A,J)AV060110	54,500	13.0	15.2
3680443	126BNA060****A	CNPV*6124A**	315(A,J)AV066135	54,500	13.0	16.0
3680444	126BNA060****A	CNPV*6124A**	315(A,J)AV066155	54,500	13.0	16.0
3680488	126BNA060****A	CNPV*6124A**	353(A,B)AV060100	54,000	13.0	15.5
3680446	126BNA060****A	CNPV*6124A**	353(A,B)AV060120	54,500	13.0	16.0
3680442	126BNA060****A	CNPV*6124A**	355(A,C)AV060120	54,000	13.0	15.2
3680495	126BNA060****A	CNPV*6124A**	355BAV060120	54,000	13.0	15.2
3680489	126BNA060****A	CNPV*6124A**	368RAN060120	54,500	13.0	15.2
3680469	126BNA060****A	CSPH*6012A**	313*AV060110	54,000	13.0	15.5
3680470	126BNA060****A	CSPH*6012A**	313*AV060135	54,000	13.0	15.5
3680466	126BNA060****A	CSPH*6012A**	315(A,J)AV060110	54,000	13.0	15.2
3680467	126BNA060****A	CSPH*6012A**	315(A,J)AV066135	54,000	13.0	15.5
3680468	126BNA060****A	CSPH*6012A**	315(A,J)AV066155	54,000	13.0	16.0
3680471	126BNA060****A	CSPH*6012A**	353(A,B)AV048080	53,500	13.0	15.2
3680472	126BNA060****A	CSPH*6012A**	353(A,B)AV060100	54,000	13.0	15.5
3680473	126BNA060****A	CSPH*6012A**	353(A,B)AV060120	54,000	13.0	16.0
3680465	126BNA060****A	CSPH*6012A**	355(A,C)AV060120	53,500	13.0	15.2
3680496	126BNA060****A	CSPH*6012A**	355BAV060120	53,500	13.0	15.2
3680490	126BNA060****A	CSPH*6012A**	368RAN060120	54,000	13.0	15.2

See notes on page 37

COMBINATION RATINGS CONTINUED

AHRI Ref. No.	Model Number	Indoor Model	Furnace Model	Capacity	EER	SEER
3680464	126BNA060****A	CSPH*6012A**+TDR		54,500	12.5	14.5
3680474	126BNA060****A	FB4CNF060+TXV		54,000	12.5	14.5
3680477	126BNA060****A	FE4ANB006+UI		54,500	13.5	16.0
3680478	126BNA060****A	FV4BNB006		54,500	13.5	16.0
3680479	126BNA060****A	FV4CNB006		54,500	13.5	16.0
3680481	126BNA060****A	FX4CN(B,F)060		55,000	13.0	15.5
3680476	126BNA060****A	FX4DN(B,F)061		55,000	13.0	15.5
3680480	126BNA060****A	FY4ANB060		54,500	12.0	13.5
3680475	126BNA060****A	FY5BNB060		54,000	12.0	13.5

† Tested combination

EER — Energy Efficiency Ratio

SEER — Seasonal Energy Efficiency Ratio

TDR — Time–Delay Relay. In most cases, only 1 method should be used to achieve TDR function. Using more than 1 method in a system may cause degradation in performance. Use either the accessory Time–Delay Relay KAATD0101TDR or a furnace equipped with TDR. Most Bryant furnaces are equipped with TDR.

TXV — Thermostatic Expansion Valve

UI — User Interface

NOTES:

1. Ratings are net values reflecting the effects of circulating fan motor heat. Supplemental electric heat is not included.
2. Tested outdoor/indoor combinations have been tested in accordance with DOE test procedures for central air conditioners. Ratings for other combinations are determined under DOE computer simulation procedures.
3. Determine actual CFM values obtainable for your system by referring to fan performance data in fan coil or furnace coil literature.
4. Do not apply with capillary tube coils as performance and reliability are affected.

126B

DETAILED COOLING CAPACITIES#

EVAPORATOR AIR		CONDENSER ENTERING AIR TEMPERATURES ° F (° C)																	
CFM	EWB ° F (° C)	75 (23.9)			85 (29.4)			95 (35)			105 (40.6)			115 (46.1)			125 (51.7)		
		Capacity MBtuh	Total System KW**	Capacity MBtuh	Total System KW**	Capacity MBtuh	Total System KW**	Capacity MBtuh	Total System KW**	Capacity MBtuh	Total System KW**	Capacity MBtuh	Total System KW**	Capacity MBtuh	Total System KW**	Capacity MBtuh	Total System KW**		
		Total	Sens†	Total	Sens†	Total	Sens†	Total	Sens†	Total	Sens†	Total	Sens†	Total	Sens†	Total	Sens†		
		126BNA018***A Outdoor Section With CNPV*1917A** Indoor Section																	
	72 (22.2)	21.52	10.39	1.18	20.55	10.05	1.32	19.48	9.68	1.48	18.35	9.29	1.65	17.15	8.88	1.84	15.88	8.46	2.06
	67 (19.4)	19.59	12.69	1.18	18.66	12.32	1.32	17.68	11.95	1.47	16.64	11.56	1.64	15.54	11.14	1.83	14.37	10.72	2.05
525	63 (17.2)††	18.14	12.20	1.18	17.28	11.84	1.32	16.37	11.47	1.47	15.40	11.07	1.63	14.37	10.66	1.82	13.27	10.22	2.04
	62 (16.7)	17.80	14.92	1.18	16.97	14.56	1.31	16.08	14.18	1.47	15.17	13.78	1.63	14.30	14.30	1.82	13.42	13.42	2.04
	57 (13.9)	17.19	17.19	1.18	16.54	16.54	1.31	15.84	15.84	1.46	15.09	15.09	1.63	14.27	14.27	1.82	13.40	13.40	2.04
	72 (22.2)	21.94	10.93	1.21	20.92	10.58	1.35	19.82	10.21	1.51	18.63	9.81	1.68	17.39	9.40	1.87	16.07	8.97	2.09
	67 (19.4)	19.99	13.55	1.20	19.03	13.19	1.35	18.00	12.80	1.50	16.92	12.40	1.67	15.78	11.98	1.86	14.57	11.54	2.08
600	63 (17.2)††	18.55	13.02	1.20	17.64	12.85	1.34	16.68	12.26	1.49	15.68	11.86	1.66	14.60	11.44	1.85	13.47	10.99	2.07
	62 (16.7)	18.25	16.11	1.20	17.39	15.72	1.34	16.55	16.55	1.49	15.74	15.74	1.66	14.87	14.87	1.85	13.93	13.93	2.07
	57 (13.9)	17.99	17.99	1.20	17.28	17.28	1.34	16.53	16.53	1.49	15.72	15.72	1.66	14.85	14.85	1.85	13.91	13.91	2.07
	72 (22.2)	22.24	11.45	1.23	21.19	11.09	1.38	20.06	10.72	1.54	18.83	10.32	1.71	17.55	9.90	1.90	16.20	9.47	2.12
	67 (19.4)	20.29	14.38	1.23	19.30	14.01	1.37	18.24	13.62	1.53	17.13	13.22	1.70	15.95	12.79	1.89	14.72	12.34	2.10
675	63 (17.2)††	18.85	13.79	1.23	17.91	13.42	1.37	16.92	13.03	1.52	15.88	12.61	1.69	14.78	12.18	1.88	13.63	11.73	2.10
	62 (16.7)	18.68	16.68	1.23	17.93	17.93	1.37	17.12	17.12	1.52	16.26	16.26	1.69	15.33	15.33	1.88	14.35	14.35	2.10
	57 (13.9)	18.66	18.66	1.23	17.90	17.90	1.37	17.09	17.09	1.52	16.24	16.24	1.69	15.31	15.31	1.88	14.33	14.33	2.10

COOLING INDOOR MODEL	CAPACITY	POWER	FURNACE MODEL
CNPV*2417A**	1.00	0.92	315(A,J)AV048090
CAP**1814A**	1.00	0.92	315(A,J)AV048090
CNPV*1917A**	1.00	0.92	315(A,J)AV048090
CNPV*2417A**	1.00	0.92	315(A,J)AV048090
CSPH*2412A**	1.00	0.92	359BAV036040
CNPV*2417A**	1.00	0.92	359BAV036060
CAP**2417A**	1.00	0.92	353AV036040
CNPV*2417A**	1.00	0.92	353AV036040
CNPV*1917A**	1.00	0.92	353AV036040
CNPV*2417A**	1.00	0.92	353AV036040
CSPH*2412A**	1.00	0.92	353(A,B)AV036060
CNPV*2417A**	1.00	0.92	353(A,B)AV036060
CAP**2417A**	1.00	0.92	353(A,B)AV036060
CNPV*2417A**	1.00	0.92	353(A,B)AV036060
CNPV*1917A**	1.00	0.92	353(A,B)AV036060
CNPV*2417A**	1.00	0.92	353(A,B)AV036060
CSPH*2412A**	1.00	0.92	353(A,B)AV036060
CAP**2417A**	1.00	0.92	355(A,C)AV042060
CNPV*2417A**	1.00	0.92	355(A,C)AV042060
CNPV*1917A**	1.00	0.92	355(A,C)AV042060
CNPV*2417A**	1.00	0.92	355(A,C)AV042060
CSPH*2412A**	1.00	0.92	355(A,C)AV042060
CNPV*2417A**	1.00	0.92	355(A,C)AV042060
CSPH*2412A**	1.00	0.92	355(A,C)AV042060
CNPV*2417A**	1.00	0.92	355AAV042040
CAP**1814A**	1.00	0.92	313*AV024045
CAP**2414A**	1.00	0.92	313*AV024045
CNPV*2417A**	1.00	0.92	313*AV024045
CNPV*1814A**	1.00	0.92	313*AV024045
CNPV*1917A**	1.00	0.92	313*AV024045
CNPV*2414A**	1.00	0.92	313*AV024045
CNPV*1917A**	1.00	0.92	313*AV024045
CNPV*2417A**	1.00	0.92	313*AV024045
CSPH*2412A**	1.00	0.92	313*AV024045

See notes on pg. 51

COOLING INDOOR MODEL	CAPACITY	POWER	FURNACE MODEL
*CNPV*1917A**	1.00	1.00	
CAP**1814A**	1.00	1.04	
CAP**2414A**	1.00	1.04	
CAP**2417A**	1.00	1.04	
CNPV*2418A**	1.00	1.04	
CNPV*2417A**	1.00	1.00	
CNPV*1814A**	1.00	1.04	
CNPV*2414A**	1.00	1.04	
CNPV*2417A**	1.00	1.04	
CSPH*2412A**	1.00	1.00	
FB4CNF018	1.00	0.92	
FB4CNF024	1.00	0.92	
FE4NF002	1.00	0.92	
FE4NF018	1.00	1.04	
FE4NF019	1.00	0.96	
FE4NF024	1.00	1.04	
FE4NF025	1.00	0.92	
FE4NF026	1.00	0.92	
FE4NF027	1.00	0.92	
FE4NF028	1.00	1.04	
FE4NF029	1.00	1.04	
FE4NF030	1.00	1.00	
FE4NF031	1.00	1.00	
FE4NF032	1.00	0.96	
FE4NF033	1.00	0.92	
FE4NF034	1.00	0.92	
FE4NF035	1.00	0.92	
FE4NF036	1.00	0.92	
FE4NF037	1.00	0.92	
FE4NF038	1.00	0.92	
FE4NF039	1.00	0.92	
FE4NF040	1.00	0.92	
FE4NF041	1.00	0.92	
FE4NF042	1.00	0.92	
FE4NF043	1.00	0.92	
FE4NF044	1.00	0.92	
FE4NF045	1.00	0.92	
FE4NF046	1.00	0.92	
FE4NF047	1.00	0.92	
FE4NF048	1.00	0.92	
FE4NF049	1.00	0.92	
FE4NF050	1.00	0.92	
FE4NF051	1.00	0.92	
FE4NF052	1.00	0.92	
FE4NF053	1.00	0.92	
FE4NF054	1.00	0.92	
FE4NF055	1.00	0.92	
FE4NF056	1.00	0.92	
FE4NF057	1.00	0.92	
FE4NF058	1.00	0.92	
FE4NF059	1.00	0.92	
FE4NF060	1.00	0.92	
FE4NF061	1.00	0.92	
FE4NF062	1.00	0.92	
FE4NF063	1.00	0.92	
FE4NF064	1.00	0.92	
FE4NF065	1.00	0.92	
FE4NF066	1.00	0.92	
FE4NF067	1.00	0.92	
FE4NF068	1.00	0.92	
FE4NF069	1.00	0.92	
FE4NF070	1.00	0.92	
FE4NF071	1.00	0.92	
FE4NF072	1.00	0.92	
FE4NF073	1.00	0.92	
FE4NF074	1.00	0.92	
FE4NF075	1.00	0.92	
FE4NF076	1.00	0.92	
FE4NF077	1.00	0.92	
FE4NF078	1.00	0.92	
FE4NF079	1.00	0.92	
FE4NF080	1.00	0.92	
FE4NF081	1.00	0.92	
FE4NF082	1.00	0.92	
FE4NF083	1.00	0.92	
FE4NF084	1.00	0.92	
FE4NF085	1.00	0.92	
FE4NF086	1.00	0.92	
FE4NF087	1.00	0.92	
FE4NF088	1.00	0.92	
FE4NF089	1.00	0.92	
FE4NF090	1.00	0.92	
FE4NF091	1.00	0.92	
FE4NF092	1.00	0.92	
FE4NF093	1.00	0.92	
FE4NF094	1.00	0.92	
FE4NF095	1.00	0.92	
FE4NF096	1.00	0.92	
FE4NF097	1.00	0.92	
FE4NF098	1.00	0.92	
FE4NF099	1.00	0.92	
FE4NF100	1.00	0.92	
FE4NF101	1.00	0.92	
FE4NF102	1.00	0.92	
FE4NF103	1.00	0.92	
FE4NF104	1.00	0.92	
FE4NF105	1.00	0.92	
FE4NF106	1.00	0.92	
FE4NF107	1.00	0.92	
FE4NF108	1.00	0.92	
FE4NF109	1.00	0.92	
FE4NF110	1.00	0.92	
FE4NF111	1.00	0.92	
FE4NF112	1.00	0.92	
FE4NF113	1.00	0.92	
FE4NF114	1.00	0.92	
FE4NF115	1.00	0.92	
FE4NF116	1.00	0.92	
FE4NF117	1.00	0.92	
FE4NF118	1.00	0.92	
FE4NF119	1.00	0.92	
FE4NF120	1.00	0.92	
FE4NF121	1.00	0.92	
FE4NF122	1.00	0.92	
FE4NF123	1.00	0.92	
FE4NF124	1.00	0.92	
FE4NF125	1.00	0.92	
FE4NF126	1.00	0.92	
FE4NF127	1.00	0.92	
FE4NF128	1.00	0.92	
FE4NF129	1.00	0.92	
FE4NF130	1.00	0.92	
FE4NF131	1.00	0.92	
FE4NF132	1.00	0.92	
FE4NF133	1.00	0.92	
FE4NF134	1.00	0.92	
FE4NF135	1.00	0.92	
FE4NF136	1.00	0.92	
FE4NF137	1.00	0.92	
FE4NF138	1.00	0.92	
FE4NF139	1.00	0.92	
FE4NF140	1.00	0.92	
FE4NF141	1.00	0.92	
FE4NF142	1.00	0.92	
FE4NF143	1.00	0.92	
FE4NF144	1.00	0.92	
FE4NF145	1.00	0.92	
FE4NF146	1.00	0.92	
FE4NF147	1.00	0.92	
FE4NF148	1.00	0.92	
FE4NF149	1.00	0.92	
FE4NF150	1.00	0.92	
FE4NF151	1.00	0.92	
FE4NF152	1.00	0.92	
FE4NF153	1.00	0.92	
FE4NF154	1.00	0.92	
FE4NF155	1.00	0.92	
FE4NF156	1.00	0.92	
FE4NF157	1.00	0.92	
FE4NF158	1.00	0.92	
FE4NF159	1.00	0.92	
FE4NF160	1.00	0.92	
FE4NF161	1.00	0.92	
FE4NF162	1.00	0.92	
FE4NF163	1.00	0.92	
FE4NF164	1.00	0.92	
FE4NF165	1.00	0.92	
FE4NF166	1.00	0.92	
FE4NF167	1.00	0.92	
FE4NF168	1.00	0.92	
FE4NF169	1.00	0.92	
FE4NF170	1.00	0.92	
FE4NF171	1.00	0.92	
FE4NF172	1.00	0.92	
FE4NF173	1.00	0.92	
FE4NF174	1.00	0.92	
FE4NF175	1.00	0.92	

DETAILED COOLING CAPACITIES# (CONT.)

EVAPORATOR AIR		CONDENSER ENTERING AIR TEMPERATURES °F (°C)																							
		75 (23.9)				85 (29.4)				95 (35)				105 (40.6)				115 (46.1)				125 (51.7)			
		CFM	EWB °F (°C)	Capacity MBtuh		Total System KW**	Capacity MBtuh		Total System KW**	Capacity MBtuh		Total System KW**	Capacity MBtuh		Total System KW**	Capacity MBtuh		Total System KW**	Capacity MBtuh		Total System KW**	Capacity MBtuh		Total System KW**	
Total	Sens†			Total	Sens†		Total	Sens†		Total	Sens†		Total	Sens†		Total	Sens†		Total	Sens†		Total	Sens†		
126BNA024***A Outdoor Section With CNPV*3117A** Indoor Section																									
700	72 (22.2)	28.21	13.70	1.55	26.92	13.25	1.74	25.54	12.78	1.94	24.09	12.29	2.16	22.56	11.77	2.41	20.94	11.24	2.68						
	67 (19.4)	25.63	16.78	1.55	24.44	16.32	1.73	23.19	15.85	1.93	21.87	15.36	2.15	20.47	14.84	2.39	18.98	14.29	2.67						
	63 (17.2)††	23.72	16.13	1.55	22.62	15.67	1.73	21.46	15.20	1.92	20.22	14.70	2.14	18.91	14.18	2.38	17.52	13.62	2.67						
	62 (16.7)	23.32	19.80	1.55	22.25	19.34	1.73	21.14	18.86	1.92	20.00	19.96	2.14	18.95	18.95	2.38	17.82	17.82	2.67						
	57 (13.9)	22.68	22.68	1.55	21.84	21.84	1.73	20.93	20.93	1.92	19.96	19.96	2.14	18.92	18.92	2.38	17.79	17.79	2.67						
800	72 (22.2)	28.72	14.43	1.58	27.38	13.97	1.77	25.95	13.49	1.98	24.44	12.99	2.20	22.85	12.47	2.44	21.17	11.93	2.72						
	67 (19.4)	26.16	17.95	1.58	24.91	17.49	1.77	23.60	17.00	1.97	22.22	16.49	2.19	20.76	15.96	2.43	19.23	15.41	2.71						
	63 (17.2)††	24.23	17.22	1.58	23.08	16.75	1.77	21.86	16.27	1.96	20.58	15.76	2.18	19.21	15.22	2.42	17.78	14.66	2.70						
	62 (16.7)	23.91	21.38	1.58	22.85	22.74	1.77	21.85	21.85	1.96	20.81	20.81	2.18	19.69	19.69	2.42	18.49	18.49	2.71						
	57 (13.9)	23.70	23.70	1.58	22.79	22.79	1.76	21.82	21.82	1.96	20.78	20.78	2.18	19.66	19.66	2.43	18.46	18.46	2.71						
900	72 (22.2)	29.09	15.12	1.62	27.72	14.67	1.81	26.23	14.18	2.02	24.68	13.67	2.24	23.05	13.15	2.48	21.32	12.60	2.76						
	67 (19.4)	26.54	19.08	1.62	25.25	18.60	1.81	23.90	18.11	2.01	22.48	17.59	2.22	20.98	17.05	2.47	19.42	16.48	2.75						
	63 (17.2)††	24.61	18.27	1.62	23.42	17.79	1.80	22.16	17.30	2.00	20.84	16.78	2.22	19.45	16.23	2.46	17.98	15.65	2.74						
	62 (16.7)	24.60	24.60	1.62	23.62	23.62	1.80	22.58	22.58	2.00	21.48	21.48	2.22	20.29	20.29	2.47	19.02	19.02	2.75						
	57 (13.9)	24.56	24.56	1.62	23.59	23.59	1.80	22.55	22.55	2.00	21.45	21.45	2.22	20.27	20.27	2.47	18.99	18.99	2.75						

COOLING INDOOR MODEL		CAPACITY		POWER	FURNACE MODEL	
		Total	Sens†		Total	Sens†
*CNPV*3117A**	1.00			1.00		
CAP**2414A**	0.97			1.02		
CAP**2417A**	0.97			1.02		
CAP**3014A**	0.98			1.03		
CAP**3017A**	0.98			1.03		
CAP**3614A**	0.98			1.03		
CAP**3617A**	0.98			1.03		
CAP**3621A**	0.98			1.03		
CNP*2418A**	0.97			1.02		
CNP*3618A**	0.98			1.03		
CNP*3617A**	0.97			1.02		
CNP*3017A**	0.98			1.03		
CNP*3117A**	1.00			1.00		
CNP*1917A**	0.98			1.03		
CNPV*2414A**	0.97			1.02		
CNPV*2417A**	0.97			1.02		
CNPV*3014A**	0.98			1.03		
CNPV*3017A**	0.98			1.03		
CNPV*3617A**	0.98			1.03		
CSPH*2412A**	0.98			1.03		
CSPH*3012A**	0.98			1.03		
CSPH*3612A**	1.00			1.04		
FB4CNF024	0.97			0.92		
FB4CNF030	0.99			0.97		
FE4AN(B,F)003	0.98			0.91		
FE4ANF002	0.98			0.91		
FF4ENP025	0.97			1.01		
FF4ENP030	0.98			0.94		
FF4ENP031	0.98			0.94		
FF4ENP036	0.97			1.06		
FF4ENP037	0.99			0.95		
FV4BN(B,F)003	0.98			0.91		
FV4BNF002	0.98			0.91		

COOLING INDOOR MODEL		CAPACITY		POWER	FURNACE MODEL	
		Total	Sens†		Total	Sens†
CNP*3117A**	0.98			0.91		
FV4CN(B,F)003	0.98			0.91		
FV4CNF002	0.98			0.98		
FX4CNF024	0.98			0.94		
FX4CNF030	0.99			0.92		
FX4DN(B,F)001	1.00			0.96		
FX4DNF025	0.99			0.92		
FY4ANF024	0.97			1.01		
FY4ANF030	0.97			1.06		
FY5BNF024	0.98			0.99		
FY5BNF030	0.99			0.99		
CAP**2414A**	0.97			0.93		
CAP**2417A**	0.97			0.93		
CAP**3014A**	0.97			0.89		
CAP**3017A**	0.97			0.90		
CAP**3614A**	0.97			0.90		
CAP**3617A**	0.97			0.90		
CAP**3621A**	0.97			0.90		
CNP*3117A**	0.97			0.93		
CNP*1917A**	0.97			0.93		
CNPV*2414A**	0.97			0.90		
CNPV*2417A**	0.97			0.90		
CNPV*3014A**	0.97			0.93		
CNPV*3017A**	0.97			0.93		
CNPV*3617A**	0.97			0.92		
CSPH*2412A**	0.97			0.90		
CSPH*3012A**	0.97			0.90		
CSPH*3612A**	0.97			0.93		
CNP*3014A**	0.97			0.90		
CNP*3117A**	0.97			0.90		
CNP*1917A**	0.97			0.90		
CNPV*2414A**	0.97			0.90		
CNPV*2417A**	0.97			0.90		
CNPV*3014A**	0.97			0.93		
CNPV*3017A**	0.97			0.93		
CNPV*3617A**	0.97			0.92		
CSPH*2412A**	0.97			0.90		
CSPH*3012A**	0.97			0.90		
CSPH*3612A**	0.97			0.99		
CNP*3014A**	0.97			0.90		
CNP*3117A**	0.97			0.90		
CNP*1917A**	0.97			0.90		
CNPV*2414A**	0.97			0.90		
CNPV*2417A**	0.97			0.90		
CNPV*3014A**	0.97			0.93		
CNPV*3017A**	0.97			0.93		
CNPV*3617A**	0.97			0.92		
CSPH*2412A**	0.97			0.90		
CSPH*3012A**	0.97			0.90		
CSPH*3612A**	0.97			0.99		
CNP*3014A**	0.97			0.90		
CNP*3117A**	0.97			0.90		
CNP*1917A**	0.97			0.90		
CNPV*2414A**	0.97			0.90		
CNPV*2417A**	0.97			0.90		
CNPV*3014A**	0.97			0.93		
CNPV*3017A**	0.97			0.93		
CNPV*3617A**	0.97			0.92		
CSPH*2412A**	0.97			0.90		
CSPH*3012A**	0.97			0.90		
CSPH*3612A**	0.97			0.99		
CNP*3014A**	0.97			0.90		
CNP*3117A**	0.97			0.90		
CNP*1917A**	0.97			0.90		
CNPV*2414A**	0.97			0.90		
CNPV*2417A**	0.97			0.90		
CNPV*3014A**	0.97			0.93		
CNPV*3017A**	0.97			0.93		
CNPV*3617A**	0.97			0.92		
CSPH*2412A**	0.97			0.90		
CSPH*3012A**	0.97			0.90		
CSPH*3612A**	0.97			0.99		
CNP*3014A**	0.97			0.90		
CNP*3117A**	0.97			0.90		
CNP*1917A**	0.97			0.90		
CNPV*2414A**	0.97			0.90		
CNPV*2417A**	0.97			0.90		
CNPV*3014A**	0.97			0.93		
CNPV*3017A**	0.97			0.93		
CNPV*3617A**	0.97			0.92		
CSPH*2412A**	0.97			0.90		
CSPH*3012A**	0.97			0.90		
CSPH*3612A**	0.97			0.99		
CNP*3014A**	0.97			0.90		
CNP*3117A**	0.97			0.90		
CNP*1917A**	0.97			0.90		
CNPV*2414A**	0.97			0.90		
CNPV*2417A**	0.97			0.90		
CNPV*3014A**	0.97			0.93		
CNPV*3017A**	0.97			0.93		
CNPV*3617A**	0.97			0.92		
CSPH*2412A**	0.97			0.90		
CSPH*3012A**	0.97			0.90		
CSPH*3612A**	0.97					

DETAILED COOLING CAPACITIES# (CONT.)

EVAPORATOR AIR		CONDENSER ENTERING AIR TEMPERATURES ° F (° C)																	
CFM	EWB ° F (° C)	75 (23.9)			85 (29.4)			95 (35)			105 (40.6)			115 (46.1)			125 (51.7)		
		Capacity MBtuh		Total System KW**	Capacity MBtuh		Total System KW**	Capacity MBtuh		Total System KW**	Capacity MBtuh		Total System KW**	Capacity MBtuh		Total System KW**	Capacity MBtuh		Total System KW**
		Total	Sens†	Total	Total	Sens†	Total	Total	Sens†	Total	Total	Total	Sens†	Total	Total	Total	Total	Sens†	Total
126ENNA030***A Outdoor Section With CNPV*3117A** Indoor Section																			
875	72 (22.2)	34.09	17.01	1.91	32.58	16.48	2.11	31.00	15.93	2.33	29.32	15.36	2.59	27.51	14.75	2.88	25.53	14.09	3.22
	67 (19.4)	30.99	20.96	1.92	29.61	19.88	2.12	28.16	19.88	2.34	26.61	19.29	2.59	24.97	18.66	2.88	23.10	17.99	3.22
	63 (17.2)††	28.76	20.15	1.93	27.47	19.02	2.12	26.11	19.06	2.34	24.65	18.46	2.59	23.07	17.83	2.88	21.33	17.13	3.22
	62 (16.7)	28.51	24.86	1.93	27.08	24.31	2.12	25.80	23.72	2.34	24.56	24.56	2.59	23.28	23.28	2.88	21.87	21.87	3.21
	57 (13.9)	27.76	27.76	1.93	26.76	26.76	2.12	25.69	25.69	2.34	24.52	24.52	2.59	23.25	23.25	2.88	21.83	21.83	3.21
1000	72 (22.2)	34.67	17.91	1.96	33.09	17.37	2.15	31.45	16.82	2.38	29.71	16.24	2.63	27.83	15.62	2.93	25.79	14.95	3.26
	67 (19.4)	31.55	22.41	1.97	30.10	21.86	2.16	28.60	21.30	2.38	27.00	20.71	2.64	25.27	20.07	2.93	23.39	19.37	3.26
	63 (17.2)††	29.30	21.50	1.97	27.95	20.95	2.17	26.55	20.38	2.39	25.04	19.78	2.64	23.40	19.12	2.93	21.63	18.42	3.26
	62 (16.7)	29.03	28.77	1.97	27.89	27.89	2.16	26.74	26.74	2.39	25.50	25.50	2.64	24.14	24.14	2.93	22.64	22.64	3.26
	57 (13.9)	28.93	28.93	1.97	27.84	27.84	2.16	26.70	26.70	2.39	25.46	25.46	2.64	24.11	24.11	2.93	22.61	22.61	3.26
1125	72 (22.2)	35.09	18.77	2.00	33.45	18.22	2.20	31.76	17.66	2.42	29.97	17.07	2.68	28.04	16.45	2.97	25.96	15.78	3.31
	67 (19.4)	31.96	23.80	2.01	30.47	23.24	2.21	28.93	22.67	2.43	27.29	22.06	2.68	25.52	21.41	2.97	23.62	20.99	3.31
	63 (17.2)††	29.70	22.78	2.02	28.32	22.23	2.21	26.87	21.65	2.43	25.32	21.03	2.69	23.66	20.36	2.98	21.87	19.61	3.31
	62 (16.7)	29.93	29.93	2.02	28.78	28.78	2.21	27.57	27.57	2.43	26.26	26.26	2.68	24.83	24.83	2.98	23.26	23.26	3.31
	57 (13.9)	29.89	29.89	2.02	28.74	28.74	2.21	27.53	27.53	2.43	26.22	26.22	2.68	24.80	24.80	2.97	23.23	23.23	3.31

COOLING INDOOR MODEL	CAPACITY	POWER	FURNACE MODEL	COOLING INDOOR MODEL	CAPACITY	POWER	FURNACE MODEL	COOLING INDOOR MODEL	CAPACITY	POWER	FURNACE MODEL	COOLING INDOOR MODEL	CAPACITY	POWER	FURNACE MODEL
CAP**3014A**	0.98	0.98		FV4CN(F)006	0.98	0.90		CNPV*3612A**	0.97	0.90		CNPV*3612A**	0.97	0.90	315(A,J)AV048090
CAP**3017A**	0.98	0.98		FV4CN(B,F)006	0.99	0.95		CNPV*4212A**	0.99	0.95		CNPV*4212A**	0.99	0.95	315(A,J)AV048090
CAP**3617A**	0.98	0.98		FV4CN(B,F)042	0.99	0.99		CNPV*4212A**	0.99	0.99		CNPV*4212A**	0.99	0.99	315(A,J)AV048090
CAP**3619A**	1.02	1.02		FV4CN(F)001	0.99	0.95		CSPH*3012A**	0.98	0.90		CSPH*3012A**	0.98	0.90	315(A,J)AV048090
CAP**3621A**	0.98	0.98		FV4DN(B,F)037	1.01	0.93		CSPH*3612A**	0.99	0.92		CSPH*3612A**	0.99	0.92	315(A,J)AV048090
CAP**4221A**	0.99	1.03		FV4ANF030	0.97	1.01		CSPH*4224A**	1.00	0.99		CSPH*4224A**	1.00	0.99	315(A,J)AV048090
CAP**4224A**	0.99	1.03		FV4ANF036	0.98	1.02		CAP**4224A**	0.99	1.03		CAP**4224A**	0.99	1.03	315(A,J)AV060110
CNPV*3618A**	0.98	1.02		FV4ANF042	0.99	1.03		CNPV*3017A**	0.97	0.90		CNPV*3017A**	0.97	0.90	315(A,J)AV060110
CNPV*3017A**	0.98	0.98		FV5BNF030	0.99	0.99		CNPV*3014A**	0.97	0.89		CNPV*3014A**	0.97	0.89	315(A,J)AV060110
CNPV*3117A**	1.00	1.00		FV5BNF036	0.99	0.99		CNPV*4212A**	0.97	0.93		CNPV*4212A**	0.97	0.93	315(A,J)AV060110
CNPV*3617A**	0.98	0.98		CAP**3014A**	0.97	0.89		CNPV*3117A**	0.99	0.92		CNPV*3117A**	0.99	0.92	315(A,J)AV060110
CNPV*4212A**	0.99	1.03		CAP**3017A**	0.97	0.93		CNPV*3617A**	0.97	0.93		CNPV*3617A**	0.97	0.93	315(A,J)AV060110
CNPV*3017A**	0.98	0.98		CAP**3617A**	0.97	0.93		CNPV*3017A**	0.97	0.93		CNPV*3017A**	0.97	0.93	315(A,J)AV060110
CNPV*3617A**	0.98	0.98		CNPV*3017A**	0.97	0.93		CNPV*4212A**	0.97	0.93		CNPV*4212A**	0.97	0.93	315(A,J)AV060110
CNPV*3621A**	0.98	0.98		CNPV*3117A**	0.99	0.92		CNPV*3612A**	0.99	0.92		CNPV*3612A**	0.99	0.92	315(A,J)AV060110
CNPV*4212A**	0.99	1.04		CNPV*3617A**	0.97	0.93		CNPV*3617A**	0.97	0.93		CNPV*3617A**	0.97	0.93	315(A,J)AV060110
CSPH*3012A**	0.99	1.03		CNPV*4212A**	0.98	0.90		CNPV*4212A**	0.98	0.90		CNPV*4212A**	0.98	0.90	315(A,J)AV060110
CSPH*3612A**	1.00	1.00		CNPV*3014A**	0.97	0.93		CNPV*3014A**	0.97	0.93		CNPV*3014A**	0.97	0.93	315(A,J)AV066135
CSPH*4212A**	1.00	1.00		CNPV*3017A**	0.99	0.92		CNPV*3017A**	0.99	0.92		CNPV*3017A**	0.99	0.92	315(A,J)AV066135
FV4CN(F)003	0.98	0.94		CNPV*3117A**	0.97	0.93		CNPV*3117A**	0.97	0.93		CNPV*3117A**	0.97	0.93	315(A,J)AV066135
FV4CN(B,F)005	0.99	0.91		CSPH*4212A**	0.97	0.93		CSPH*4212A**	0.97	0.93		CSPH*4212A**	0.97	0.93	315(A,J)AV066135
FV4ANF002	0.98	0.90		FEANF003	1.01	0.93		FEANF003	0.99	0.91		FEANF003	0.99	0.91	315(A,J)AV066135
FEANB004	1.01	0.94		FEANF002	0.98	0.90		FEANF002	0.97	0.90		FEANF002	0.97	0.90	315(A,J)AV066155
FFTENP030	0.97	0.97		FFTENP030	0.97	0.90		FFTENP030	0.97	0.90		FFTENP030	0.97	0.90	315(A,J)AV066155
FFTENP031	0.98	0.95		FFTENP031	0.97	0.90		FFTENP031	0.97	0.90		FFTENP031	0.97	0.90	315(A,J)AV066155
FFTENP036	0.98	0.96		FFTENP036	0.98	0.90		FFTENP036	0.98	0.90		FFTENP036	0.98	0.90	315(A,J)AV066155
FFTENP037	0.99	0.95		FFTENP037	0.99	0.92		FFTENP037	0.99	0.92		FFTENP037	0.99	0.92	315(A,J)AV066155
FV4BN(B,F)003	0.99	0.91		FV4BN(B,F)003	0.97	0.90		FV4BN(B,F)003	0.97	0.90		FV4BN(B,F)003	0.97	0.90	315(A,J)AV066155
FV4BN(B,F)005	1.01	0.93		FV4BN(B,F)005	0.97	0.90		FV4BN(B,F)005	0.97	0.90		FV4BN(B,F)005	0.97	0.90	315(A,J)AV066155
FV4BNF002	0.98	0.90		FV4BNF002	0.98	0.90		FV4BNF002	0.98	0.90		FV4BNF002	0.98	0.90	315(A,J)AV066155
FV4CN(B,F)003	0.99	0.91		FV4CN(B,F)003	0.97	0.90		FV4CN(B,F)003	0.97	0.90		FV4CN(B,F)003	0.97	0.90	359BANV036040

126B

DETAILED COOLING CAPACITIES# (CONT.)

EVAPORATOR AIR		CONDENSER ENTERING AIR TEMPERATURES ° F (° C)																	
CFM	EWB ° F (° C)	75 (23.9)			85 (29.4)			95 (35)			105 (40.6)			115 (46.1)			125 (51.7)		
		Capacity MBtuh		Total System KW**	Capacity MBtuh		Total System KW**	Capacity MBtuh		Total System KW**	Capacity MBtuh		Total System KW**	Capacity MBtuh		Total System KW**	Capacity MBtuh		Total System KW**
		Total	Sens†	Total	Sens†	Total	Sens†	Total	Sens†	Total	Sens†	Total	Sens†	Total	Sens†	Total	Sens†	Total	Sens†
1265NNA036***A Outdoor Section With CNPV*3717A** Indoor Section																			
1050	72 (22.2)	41.06	20.32	2.39	39.22	19.88	2.65	37.27	19.01	2.95	35.20	18.31	3.28	33.01	17.57	3.66	30.65	16.79	4.11
	67 (19.4)	37.33	25.02	2.37	35.65	23.88	2.63	33.87	23.70	2.93	31.96	22.99	3.26	29.95	22.24	3.65	27.79	21.45	4.09
	63 (17.2)††	34.65	24.06	2.36	33.08	23.41	2.62	31.40	22.73	2.92	29.62	22.01	3.25	27.73	21.26	3.64	25.71	20.45	4.09
	62 (16.7)	34.09	29.67	2.36	32.58	29.00	2.62	31.00	28.29	2.91	29.47	29.47	3.25	27.95	27.95	3.64	26.29	26.29	4.09
	57 (13.9)	33.38	33.38	2.35	32.16	32.16	2.62	30.85	30.85	2.91	29.43	29.43	3.25	27.91	27.91	3.64	26.25	26.25	4.09
1200	72 (22.2)	41.77	21.40	2.45	39.84	20.74	2.72	37.82	20.07	3.01	35.87	19.35	3.35	33.39	18.60	3.73	30.96	17.82	4.17
	67 (19.4)	38.02	26.75	2.43	36.25	26.09	2.70	34.40	25.40	2.99	32.44	24.67	3.32	30.35	23.91	3.71	28.13	23.10	4.15
	63 (17.2)††	35.31	25.67	2.42	33.66	25.01	2.69	31.93	24.31	2.98	30.09	23.58	3.31	28.13	22.80	3.70	26.05	21.98	4.15
	62 (16.7)	34.94	31.96	2.42	33.53	33.53	2.69	32.12	32.12	2.98	30.60	30.60	3.32	28.97	28.97	3.70	27.21	27.21	4.15
	57 (13.9)	34.80	34.80	2.42	33.47	33.47	2.68	32.07	32.07	2.98	30.55	30.55	3.32	28.93	28.93	3.70	27.17	27.17	4.15
1350	72 (22.2)	42.28	22.42	2.52	40.29	21.76	2.78	38.19	21.07	3.08	35.98	20.35	3.41	33.65	19.59	3.79	31.16	18.80	4.23
	67 (19.4)	38.51	28.41	2.50	36.70	27.73	2.76	34.80	27.03	3.05	32.78	26.29	3.39	30.65	25.51	3.77	28.39	24.66	4.22
	63 (17.2)††	35.80	27.21	2.48	34.11	26.53	2.75	32.32	25.82	3.04	30.43	25.07	3.38	28.44	24.28	3.76	26.32	23.41	4.21
	62 (16.7)	36.01	36.01	2.48	34.61	34.61	2.75	33.12	33.12	3.05	31.51	31.51	3.38	29.80	29.80	3.77	27.94	27.94	4.21
	57 (13.9)	35.96	35.96	2.48	34.56	34.56	2.75	33.08	33.08	3.04	31.47	31.47	3.38	29.76	29.76	3.77	27.91	27.91	4.21

COOLING INDOOR MODEL		CAPACITY		POWER	FURNACE MODEL	
Model	Capacity	Power	Model	Capacity	Power	Furnace Model
*CNPV*3717A**	1.00	1.00	FV4BNB006	1.01	0.89	
CAP**3614A**	0.95	0.99	FV4BNF002	0.96	0.96	
CAP**3617A**	0.96	1.00	FV4CN(B,F)003	0.97	0.89	
CAP**3619A**	0.96	1.00	FV4CN(B,F)005	0.99	0.92	
CAP**3621A**	0.96	1.00	FV4CNB006	1.01	0.89	
CAP**4221A**	0.97	1.01	FV4CNF002	0.96	0.96	
CAP**4224A**	0.97	1.01	FV4CN(B,F)036	0.98	0.98	
CAP**4817A**	0.99	1.03	FV4CN(B,F)042	0.99	0.99	
CAP**4821A**	0.98	1.03	FV4CN(B,F)048	1.00	1.00	
CAP**4823A**	0.98	1.03	FV4DN(B,F)037	0.99	0.92	
CNP**4824A**	0.98	1.03	FV4DN(B,F)043	0.99	0.92	
CNP**4818A**	0.96	1.05	FV4DN(B,F)049	1.01	0.93	
CNP**4818A**	0.98	1.03	FV4ANF036	0.96	1.05	
CNP**3617A**	0.97	1.00	FV4ANF042	0.98	1.02	
CNP**4221A**	0.97	1.01	FV4ANF048	0.99	1.04	
CNP**4821A**	0.99	1.03	FV5BNF036	0.97	1.01	
CNP**6024A**	0.99	0.99	FV5BNF042	0.98	0.98	
CNPV*3617A**	0.96	1.00	CAP**3614A**	0.95	0.95	315(A,J)V036070
CNPV*3621A**	0.96	1.00	CAP**3617A**	0.95	0.95	315(A,J)V036070
CNPV*4217A**	0.98	1.03	CAP**4817A**	0.98	0.94	315(A,J)V036070
CNPV*4221A**	0.97	1.01	CNP**3617A**	0.95	0.95	315(A,J)V036070
CNPV*4821A**	0.99	1.03	CNP**4221A**	0.96	0.96	315(A,J)V036070
CNPV*4824A**	0.99	1.03	CNP**4821A**	0.98	0.94	315(A,J)V036070
CSPH*3612A**	0.98	1.03	CNP**3617A**	0.95	0.95	315(A,J)V036070
CSPH*4212A**	0.99	1.03	CNPV*3717A**	0.99	0.95	315(A,J)V036070
CSPH*4812A**	0.99	1.04	CNPV*4217A**	0.97	0.93	315(A,J)V036070
FB4CNF036	0.96	0.96	CSPH*3612A**	0.97	0.93	315(A,J)V036070
FB4CNF042	0.99	0.95	CSPH*4212A**	0.98	0.94	315(A,J)V036070
FE4AN(B,F)003	0.97	0.89	CAP**4812A**	0.98	0.94	315(A,J)V048090
FE4AN(B,F)005	0.99	0.92	CAP**3617A**	0.96	0.92	315(A,J)V048090
FE4ANB006	1.01	0.89	CAP**3621A**	0.96	0.92	315(A,J)V048090
FE4ANF002	0.96	0.96	CAP**4221A**	0.97	0.93	315(A,J)V048090
FE5ANB004	1.01	0.89	CAP**4221A**	0.98	0.91	315(A,J)V048090
FF1ENP036	0.97	1.05	CAP**4821A**	0.98	0.90	315(A,J)V048090
FF1ENP037	0.96	1.01	CNP**3617A**	0.95	0.92	315(A,J)V048090
FV4BN(B,F)003	0.97	0.89	CNP**4221A**	0.97	0.93	315(A,J)V048090
FV4BN(B,F)005	0.99	0.92	CNP**4821A**	0.98	0.90	315(A,J)V048090

126B

DETAILED COOLING CAPACITIES# (CONT.)

126BNA036***A Outdoor Section With CNPV*3717A** Indoor Section

COOLING INDOOR MODEL	CAPACITY	POWER	FURNACE MODEL
CNPH*3621A**	0.97	0.93	313*AV060110
CNPH*4221A**	0.98	0.90	313*AV060110
CNPH*4821A**	0.99	0.92	313*AV060110
CNPH*3617A**	0.95	0.92	313*AV060110
CNPH*4217A**	0.99	0.91	313*AV060110
CNPH*4817A**	0.99	0.92	313*AV060110
CNPH*3612A**	0.95	0.92	313*AV060110
CNPH*4212A**	0.99	0.92	313*AV060110
CNPH*4812A**	0.99	0.92	313*AV060110

See notes on pg. 51

COOLING INDOOR MODEL	CAPACITY	POWER	FURNACE MODEL
CSPH*3612A**	0.97	0.93	355AAV042040
CSPH*4212A**	0.98	0.94	355AAV042040
CSPH*4812A**	0.98	0.94	355AAV042040
CAP**3614A**	0.95	0.99	313*AV024045
CAP**3617A**	0.95	0.98	313*AV024045
CAP**4817A**	0.98	0.95	313*AV024045
CNPH*3617A**	0.95	0.95	313*AV024045
CNPH*4217A**	0.97	0.97	313*AV024045
CNPH*4817A**	0.98	0.98	313*AV024045
CNPH*3617A**	0.95	0.99	313*AV024045
CNPH*4217A**	0.97	1.01	313*AV024045
CNPH*4817A**	0.98	0.98	313*AV024045
CSPH*3612A**	0.98	0.98	313*AV024045
CSPH*4212A**	0.98	0.98	313*AV024045
CSPH*4812A**	0.99	0.99	313*AV024045
CAP**3617A**	0.96	0.96	313*AV048070
CAP**3621A**	0.96	0.96	313*AV048070
CAP**4221A**	0.97	0.97	313*AV048070
CAP**4817A**	0.98	0.98	313*AV048070
CAP**4821A**	0.98	0.98	313*AV048070
CNPH*3617A**	0.95	0.95	313*AV048070
CNPH*4217A**	0.97	0.97	313*AV048070
CNPH*4817A**	0.98	0.94	313*AV048070
CNPH*3617A**	0.95	0.95	313*AV048070
CNPH*4217A**	0.95	0.95	313*AV048070
CNPH*4817A**	0.99	0.95	313*AV048070
CNPH*3617A**	0.97	0.97	313*AV048070
CNPH*4217A**	0.97	0.97	313*AV048070
CNPH*4817A**	0.98	0.94	313*AV048070
CSPH*3612A**	0.98	0.98	313*AV048070
CSPH*4212A**	0.98	0.94	313*AV048070
CSPH*4812A**	0.99	0.95	313*AV048070
CAP**3621A**	0.97	0.93	313*AV048090
CAP**4221A**	0.98	0.90	313*AV048090
CAP**4821A**	0.99	0.91	313*AV048090
CNPH*3617A**	0.96	0.92	313*AV048090
CNPH*4217A**	0.97	0.93	313*AV048090
CNPH*4817A**	0.98	0.91	313*AV048090
CNPH*3612A**	0.99	0.91	313*AV048090
CNPH*4212A**	0.99	0.91	313*AV048090
CNPH*4812A**	0.99	0.92	313*AV048090
CAP**3621A**	0.97	0.93	313*AV060110
CAP**4221A**	0.98	0.90	313*AV060110
CAP**4821A**	0.98	0.90	313*AV060110
CNPH*3617A**	0.99	0.91	313*AV060110
CNPH*4217A**	0.99	0.92	313*AV060110
CNPH*4817A**	0.98	0.92	313*AV060110
CNPH*3612A**	0.98	0.90	313*AV060110
CNPH*4212A**	0.98	0.92	313*AV060110
CNPH*4812A**	0.99	0.92	313*AV060110

DETAILED COOLING CAPACITIES# (CONT.)

EVAPORATOR AIR		CONDENSER ENTERING AIR TEMPERATURES °F (°C)																	
		75 (23.9)			85 (29.4)			95 (35)			105 (40.6)			115 (46.1)			125 (51.7)		
		CFM	EWB °F (°C)	Capacity MBtuh		Total System KW**	Capacity MBtuh		Total System KW**	Capacity MBtuh		Total System KW**	Capacity MBtuh		Total System KW**	Capacity MBtuh		Total System KW**	
Total	Sens†			Total	Sens†		Total	Sens†		Total	Sens†		Total	Sens†					
126BNA042***A Outdoor Section With CNPV*4324A** Indoor Section																			
	72 (22.2)	49.58	24.85	24.05	3.07	44.88	23.20	3.42	42.30	22.31	3.80	39.58	21.39	4.23	36.71	20.43	4.70		
1225	67 (19.4)	45.17	30.63	29.82	3.05	40.90	28.98	3.38	38.55	28.08	3.76	36.07	27.15	4.19	33.47	26.18	4.66		
	63 (17.2)††	41.97	29.47	28.67	3.03	38.02	27.83	3.38	35.83	26.93	3.74	33.53	26.00	4.17	31.10	25.02	4.64		
	62 (16.7)	41.32	36.33	27.4	3.03	37.56	34.61	3.36	35.65	35.65	3.74	33.78	33.78	4.17	31.76	31.76	4.64		
	57 (13.9)	40.45	40.45	27.3	3.03	37.34	37.34	3.36	35.60	35.60	3.74	33.73	33.73	4.17	31.72	31.72	4.64		
	72 (22.2)	50.40	26.14	28.85	3.15	48.02	25.31	3.49	45.48	24.45	3.87	39.99	22.81	4.30	37.02	21.63	4.77		
1400	67 (19.4)	45.95	32.69	28.2	3.12	43.80	31.87	3.46	39.07	30.09	3.84	36.51	29.14	4.26	33.83	28.13	4.74		
	63 (17.2)††	42.74	31.39	30.58	3.10	38.61	29.71	3.44	36.36	28.80	3.82	33.97	27.84	4.24	31.47	26.83	4.71		
	62 (16.7)	42.31	39.06	28.1	3.10	38.82	38.82	3.44	36.94	36.94	3.82	34.93	34.93	4.25	32.78	32.78	4.72		
	57 (13.9)	42.10	42.10	40.50	3.10	38.76	38.76	3.44	36.89	36.89	3.82	34.89	34.89	4.25	32.74	32.74	4.72		
	72 (22.2)	50.98	27.35	29.2	3.22	48.52	26.51	3.56	43.16	24.73	3.95	40.25	23.78	4.37	37.22	22.79	4.85		
1575	67 (19.4)	46.53	34.66	29.0	3.19	41.95	32.94	3.53	39.45	32.01	3.91	36.83	31.03	4.34	34.11	29.99	4.81		
	63 (17.2)††	43.31	33.22	32.39	3.17	39.06	31.51	3.51	36.74	30.57	3.89	34.30	29.58	4.31	31.77	28.52	4.78		
	62 (16.7)	43.52	43.52	41.82	3.18	39.96	39.96	3.52	37.98	37.98	3.90	35.86	35.86	4.33	33.58	33.58	4.80		
	57 (13.9)	43.46	43.46	41.76	3.18	39.91	39.91	3.52	37.93	37.93	3.90	35.81	35.81	4.33	33.55	33.55	4.80		

COOLING INDOOR MODEL		CAPACITY		POWER	FURNACE MODEL	
		Total	Sens†		Total	Sens†
*CNPV*4324A**	FX4CN(B,F)060	1.00	0.96	1.00	315(A,J)AV036070	
CAP**4221A**	FX4DN(B,F)043	0.99	0.95	0.95	315(A,J)AV036070	
CAP**4224A**	FX4DN(B,F)049	1.01	0.93	0.93	315(A,J)AV036070	
CAP**4817A**	FYAANB060	1.00	1.00	1.00	315(A,J)AV036070	
CAP**4821A**	FYAANI042	0.98	1.02	1.02	315(A,J)AV036070	
CAP**4823A**	FYAANI048	0.99	0.99	0.99	315(A,J)AV036070	
CAP**4824A**	FY5BNF042	0.98	0.94	0.94	315(A,J)AV036070	
CAP**6021A**	FY5BNF048	1.00	0.96	0.96	315(A,J)AV036070	
CAP**6024A**	CAP**4817A**	0.98	0.94	0.94	315(A,J)AV036070	
CAP**6025A**	CNPH*4221A**	0.95	0.91	0.91	315(A,J)AV036070	
CNPF*4818A**	CNPH*4821A**	0.98	0.98	0.94	315(A,J)AV036070	
CNPH*4221A**	CNPH*4821A**	0.96	0.96	0.94	315(A,J)AV036070	
CNPH*4321A**	CNPH*6024A**	0.99	0.99	0.91	315(A,J)AV036070	
CNPH*4821A**	CNPH*4217A**	0.96	0.96	0.93	315(A,J)AV036070	
CNPH*6024A**	CSPH*4212A**	0.98	0.94	0.94	315(A,J)AV036070	
CNPV*4217A**	CSPH*4812A**	0.98	0.94	0.94	315(A,J)AV036070	
CNPV*4221A**	CSPH*6012A**	0.99	0.91	0.91	315(A,J)AV036070	
CNPV*4821A**	CAP**4221A**	0.95	0.88	0.88	315(A,J)AV048090	
CNPV*4824A**	CAP**4817A**	0.98	0.90	0.90	315(A,J)AV048090	
CNPV*6024A**	CAP**4821A**	0.98	0.90	0.90	315(A,J)AV048090	
CSPH*4212A**	CAP**6021A**	0.99	0.91	0.91	315(A,J)AV048090	
CSPH*4812A**	CNPH*4221A**	0.96	0.93	0.93	315(A,J)AV048090	
CSPH*6012A**	CNPH*4321A**	0.98	0.91	0.91	315(A,J)AV048090	
FBA4CNF042	CNPH*4821A**	0.99	0.95	0.95	315(A,J)AV048090	
FBA4CNF048	CNPV*4217A**	0.99	0.91	0.91	315(A,J)AV048090	
FEA4N(B,F)003	CNPV*4221A**	0.96	0.93	0.93	315(A,J)AV048090	
FEA4N(B,F)005	CNPV*4821A**	0.99	0.92	0.92	315(A,J)AV048090	
FEA4NB006	CNPV*6024A**	1.00	0.99	0.99	315(A,J)AV048090	
FEA4NB004	CSPH*4212A**	0.99	0.99	0.91	315(A,J)AV048090	
FVA4N(B,F)003	CSPH*4812A**	0.99	0.99	0.93	315(A,J)AV048090	
FVA4N(B,F)005	CSPH*6012A**	1.00	1.00	0.91	315(A,J)AV048090	
FVA4NB006	FBA4CNF042	0.99	0.95	0.95	315(A,J)AV048090	
FVA4N(B,F)003	FBA4CNF048	0.99	0.91	0.91	315(A,J)AV048090	
FVA4N(B,F)005	FEA4N(B,F)003	0.96	0.89	0.89	315(A,J)AV048090	
FVA4NB006	FEA4N(B,F)005	0.99	0.91	0.91	315(A,J)AV048090	
FX4CN(B,F)042	FEA4NB004	0.99	0.92	0.92	315(A,J)AV048090	
FX4CN(B,F)048	FVA4N(B,F)003	1.00	0.99	0.99	315(A,J)AV048090	
	FVA4N(B,F)005	0.96	0.89	0.89	315(A,J)AV048090	
	FVA4NB006	0.99	0.91	0.91	315(A,J)AV048090	
	FVA4N(B,F)003	0.96	0.89	0.89	315(A,J)AV048090	
	FVA4N(B,F)005	0.99	0.91	0.91	315(A,J)AV048090	
	FX4CN(B,F)042	0.99	0.95	0.95	315(A,J)AV048090	
	FX4CN(B,F)048	1.00	0.92	0.92	315(A,J)AV048090	

DETAILED COOLING CAPACITIES# (CONT.)

126BNA042***A Outdoor Section With CNPV*4324A** Indoor Section

COOLING INDOOR MODEL	CAPACITY	POWER	FURNACE MODEL
CSPH*4212A**	0.99	0.91	313*AV060110
CSPH*4812A**	0.99	0.91	313*AV060110
CSPH*6012A**	1.00	0.92	313*AV060110
CAP**4224A**	0.96	0.89	313*AV060135
CAP**4824A**	0.98	0.90	313*AV060135
CAP**6024A**	1.00	0.92	313*AV060135
CNPH*4221A**	0.96	0.93	313*AV060135
CNPH*4321A**	0.99	0.91	313*AV060135
CNPH*4821A**	0.99	0.91	313*AV060135
CNPH*6024A**	1.00	0.92	313*AV060135
CNPV*4324A**	0.99	0.91	313*AV060135
CNPV*4824A**	0.99	0.91	313*AV060135
CNPV*6024A**	1.00	0.92	313*AV060135
CSPH*4212A**	0.98	0.92	313*AV060135
CSPH*4812A**	0.98	0.92	313*AV060135
CSPH*6012A**	1.00	0.92	313*AV060135
CAP**4221A**	0.95	0.90	313*AV060135
CAP**4812A**	0.98	0.91	313*AV060135
CAP**6021A**	0.99	0.91	313*AV060135
CNPH*4221A**	0.95	0.92	313*AV060135
CNPH*4321A**	0.99	0.91	313*AV060135
CNPH*4821A**	0.98	0.91	313*AV060135
CNPH*6024A**	0.99	0.91	313*AV060135
CNPV*4217A**	0.96	0.92	313*AV060135
CNPV*4221A**	0.95	0.91	313*AV060135
CNPV*4821A**	0.98	0.92	313*AV060135
CSPH*4212A**	0.98	0.92	313*AV060135
CSPH*4812A**	0.98	0.92	313*AV060135
CSPH*6012A**	1.00	0.92	313*AV060135
CAP**4221A**	0.96	0.89	313*AV060135
CAP**4224A**	0.98	0.89	313*AV060135
CAP**4821A**	0.98	0.90	313*AV060135
CAP**4824A**	0.99	0.91	313*AV060135
CAP**6021A**	0.99	0.91	313*AV060135
CAP**6024A**	1.00	0.92	313*AV060135
CNPH*4212A**	0.98	0.92	313*AV060135
CNPH*4812A**	0.98	0.92	313*AV060135
CNPH*6012A**	1.00	0.92	313*AV060135
CNPV*4217A**	0.96	0.92	313*AV060135
CNPV*4221A**	0.95	0.91	313*AV060135
CNPV*4821A**	0.98	0.92	313*AV060135
CSPH*4212A**	0.98	0.92	313*AV060135
CSPH*4812A**	0.98	0.92	313*AV060135
CSPH*6012A**	1.00	0.92	313*AV060135
CAP**4221A**	0.96	0.89	313*AV060135
CAP**4224A**	0.98	0.89	313*AV060135
CAP**4821A**	0.98	0.90	313*AV060135
CAP**4824A**	0.99	0.91	313*AV060135
CAP**6021A**	0.99	0.91	313*AV060135
CAP**6024A**	1.00	0.92	313*AV060135
CNPH*4212A**	0.98	0.92	313*AV060135
CNPH*4812A**	0.98	0.92	313*AV060135
CNPH*6012A**	1.00	0.92	313*AV060135
CNPV*4217A**	0.96	0.92	313*AV060135
CNPV*4221A**	0.95	0.91	313*AV060135
CNPV*4821A**	0.98	0.92	313*AV060135
CSPH*4212A**	0.98	0.92	313*AV060135
CSPH*4812A**	0.98	0.92	313*AV060135
CSPH*6012A**	1.00	0.92	313*AV060135
CAP**4221A**	0.96	0.89	313*AV060135
CAP**4224A**	0.98	0.89	313*AV060135
CAP**4821A**	0.98	0.90	313*AV060135
CAP**4824A**	0.99	0.91	313*AV060135
CAP**6021A**	0.99	0.91	313*AV060135
CAP**6024A**	1.00	0.92	313*AV060135
CNPH*4212A**	0.98	0.92	313*AV060135
CNPH*4812A**	0.98	0.92	313*AV060135
CNPH*6012A**	1.00	0.92	313*AV060135
CNPV*4217A**	0.96	0.92	313*AV060135
CNPV*4221A**	0.95	0.91	313*AV060135
CNPV*4821A**	0.98	0.92	313*AV060135
CSPH*4212A**	0.98	0.92	313*AV060135
CSPH*4812A**	0.98	0.92	313*AV060135
CSPH*6012A**	1.00	0.92	313*AV060135
CAP**4221A**	0.96	0.89	313*AV060135
CAP**4224A**	0.98	0.89	313*AV060135
CAP**4821A**	0.98	0.90	313*AV060135
CAP**4824A**	0.99	0.91	313*AV060135
CAP**6021A**	0.99	0.91	313*AV060135
CAP**6024A**	1.00	0.92	313*AV060135

See notes on pg. 51

COOLING INDOOR MODEL	CAPACITY	POWER	FURNACE MODEL
CAP**4824A**	0.96	0.93	355AAV042040
CAP**6024A**	0.98	0.90	355AAV042040
CNPH*4221A**	0.95	0.91	355AAV042040
CNPH*4321A**	0.98	0.94	355AAV042040
CNPH*4821A**	0.96	0.93	355AAV042040
CNPH*4824A**	0.98	0.90	355AAV042040
CNPH*6024A**	0.98	0.90	355AAV042040
CNPV*4324A**	0.98	0.93	355AAV042040
CNPV*4824A**	0.96	0.90	355AAV042040
CNPV*6024A**	0.98	0.94	355AAV042040
CSPH*4212A**	0.98	0.94	355AAV042040
CSPH*4812A**	0.98	0.94	355AAV042040
CSPH*6012A**	0.99	0.91	355AAV042040
CAP**4221A**	0.95	0.92	313*AV048070
CAP**4817A**	0.98	0.96	313*AV048070
CAP**4821A**	0.98	0.96	313*AV048070
CAP**6021A**	0.99	0.95	313*AV048070
CNPH*4221A**	0.95	0.95	313*AV048070
CNPH*4321A**	0.99	0.95	313*AV048070
CNPH*4821A**	0.98	0.96	313*AV048070
CNPH*6024A**	0.99	0.95	313*AV048070
CNPV*4217A**	0.96	0.96	313*AV048070
CNPV*4221A**	0.95	0.95	313*AV048070
CNPV*4821A**	0.98	0.96	313*AV048070
CSPH*4212A**	0.98	0.96	313*AV048070
CSPH*4812A**	0.98	0.94	313*AV048070
CSPH*6012A**	1.00	0.96	313*AV048070
CAP**4221A**	0.96	0.89	313*AV048090
CAP**4224A**	0.98	0.89	313*AV048090
CAP**4821A**	0.98	0.90	313*AV048090
CAP**4824A**	0.98	0.90	313*AV048090
CAP**6021A**	0.99	0.91	313*AV048090
CAP**6024A**	0.99	0.91	313*AV048090
CNPH*4212A**	0.96	0.93	313*AV048090
CNPH*4321A**	0.99	0.91	313*AV048090
CNPH*4812A**	0.98	0.90	313*AV048090
CNPH*4821A**	0.98	0.90	313*AV048090
CNPH*6024A**	1.00	0.92	313*AV048090
CNPV*4221A**	0.96	0.93	313*AV048090
CNPV*4324A**	1.00	0.92	313*AV048090
CNPV*4821A**	0.98	0.90	313*AV048090
CNPV*4824A**	0.98	0.90	313*AV048090
CNPV*6024A**	1.00	0.92	313*AV048090
CSPH*4212A**	0.98	0.92	313*AV048090
CSPH*4812A**	0.98	0.92	313*AV048090
CSPH*6012A**	0.99	0.90	313*AV048090
CAP**4221A**	0.96	0.89	313*AV060110
CAP**4224A**	0.98	0.89	313*AV060110
CAP**4821A**	0.98	0.90	313*AV060110
CAP**4824A**	0.98	0.90	313*AV060110
CAP**6021A**	1.00	0.92	313*AV060110
CAP**6024A**	1.00	0.92	313*AV060110
CNPH*4221A**	0.96	0.89	313*AV060110
CNPH*4321A**	1.00	0.92	313*AV060110
CNPH*4821A**	0.99	0.91	313*AV060110
CNPH*6024A**	1.00	0.92	313*AV060110
CNPV*4221A**	0.96	0.89	313*AV060110
CNPV*4324A**	1.00	0.92	313*AV060110
CNPV*4821A**	0.99	0.91	313*AV060110
CNPV*4824A**	0.99	0.91	313*AV060110
CNPV*6024A**	1.00	0.92	313*AV060110

DETAILED COOLING CAPACITIES# (CONT.)

EVAPORATOR AIR		CONDENSER ENTERING AIR TEMPERATURES °F (°C)																							
		75 (23.9)				85 (29.4)				95 (35)				105 (40.6)				115 (46.1)				125 (51.7)			
		CFM	EWB °F (°C)	Capacity MBtuh		Total System KW**	Capacity MBtuh		Total System KW**	Capacity MBtuh		Total System KW**	Capacity MBtuh		Total System KW**	Capacity MBtuh		Total System KW**	Capacity MBtuh		Total System KW**				
Total	Sens†			Total	Sens†		Total	Sens†		Total	Sens†		Total	Sens†		Total	Sens†		Total	Sens†					
126BNA048***A Outdoor Section With CNPV*6124A** Indoor Section																									
1400	72 (22.2)	56.17	28.26	2.67	53.35	27.27	3.12	50.45	26.26	3.57	47.46	25.24	4.03	44.32	24.18	4.51	41.00	23.07	5.02						
	67 (19.4)	50.88	34.78	2.84	48.38	32.81	3.25	45.79	32.82	3.66	43.11	31.80	4.09	40.30	30.75	4.55	37.32	29.64	5.04						
	63 (17.2)††	47.10	33.38	2.95	44.81	32.43	3.33	42.44	31.45	3.72	39.99	30.45	4.13	37.39	29.40	4.57	34.65	28.30	5.05						
	62 (16.7)	46.38	41.24	2.96	44.21	40.25	3.34	42.02	41.83	3.72	40.01	40.01	4.12	37.89	37.89	4.56	35.59	35.59	5.05						
	57 (13.9)	45.57	45.57	2.98	43.79	43.79	3.35	41.92	41.92	3.72	39.95	39.95	4.13	37.83	37.83	4.56	35.54	35.54	5.05						
	72 (22.2)	57.16	29.78	2.70	54.20	28.77	3.16	51.18	27.74	3.62	48.04	26.69	4.09	44.79	25.61	4.58	41.35	24.49	5.10						
	67 (19.4)	51.83	37.21	2.88	49.20	36.22	3.30	46.50	35.20	3.72	43.71	34.16	4.16	40.79	33.07	4.62	37.73	31.93	5.12						
	63 (17.2)††	48.01	35.64	2.99	45.60	34.66	3.39	43.14	33.66	3.78	40.57	32.63	4.20	37.89	31.55	4.64	35.07	30.41	5.13						
	62 (16.7)	47.62	47.39	3.00	45.65	45.65	3.38	43.62	43.62	3.77	41.49	41.49	4.18	39.20	39.20	4.63	36.74	36.74	5.12						
	57 (13.9)	47.51	47.51	3.00	45.58	45.58	3.38	43.56	43.56	3.77	41.43	41.43	4.18	39.15	39.15	4.63	36.69	36.69	5.12						
1800	72 (22.2)	57.88	31.22	2.74	54.82	30.20	3.21	51.68	29.15	3.68	48.44	28.08	4.15	45.10	26.99	4.64	41.56	25.85	5.17						
	67 (19.4)	52.53	39.54	2.92	49.82	38.53	3.35	47.03	37.48	3.78	44.15	36.41	4.22	41.17	35.29	4.69	38.05	34.08	5.19						
	63 (17.2)††	48.69	37.80	3.04	46.20	36.80	3.44	43.65	35.77	3.85	41.02	34.70	4.27	38.28	33.58	4.71	35.42	32.36	5.20						
	62 (16.7)	49.20	49.20	3.02	47.12	47.12	3.42	44.96	44.96	3.82	42.68	42.68	4.24	40.26	40.26	4.70	37.65	37.65	5.19						
	57 (13.9)	49.13	49.13	3.03	47.06	47.06	3.42	44.90	44.90	3.82	42.63	42.63	4.24	40.21	40.21	4.70	37.61	37.61	5.19						

COOLING INDOOR MODEL	CAPACITY	POWER	FURNACE MODEL	COOLING INDOOR MODEL	CAPACITY	POWER	FURNACE MODEL	COOLING INDOOR MODEL	CAPACITY	POWER	FURNACE MODEL	COOLING INDOOR MODEL	CAPACITY	POWER	FURNACE MODEL
CNPV*6124A**	1.00	1.00	315(A,J)AV048090	CNPV*6124A**	0.97	0.93	315(A,J)AV048090	CSPH*6012A**	0.98	0.94	315(A,J)AV066155	CSPH*6012A**	0.98	0.94	315(A,J)AV066155
CAP**4817A**	0.96	1.00	315(A,J)AV048090	CNPV*4821A**	0.96	0.96	315(A,J)AV048090	CAP**4823A**	0.96	0.96	359BAV060080	CAP**4823A**	0.96	0.96	359BAV060080
CAP**4821A**	0.97	1.01	315(A,J)AV048090	CSPH*4812A**	0.97	0.97	315(A,J)AV048090	CAP**6025A**	0.98	0.97	359BAV060080	CAP**6025A**	0.98	0.97	359BAV060080
CAP**4823A**	0.97	1.01	315(A,J)AV048090	CAP**4821A**	0.96	0.96	315(A,J)AV048090	CSPH*6012A**	0.99	0.95	359BAV060080	CSPH*6012A**	0.99	0.95	359BAV060080
CAP**4824A**	0.97	1.01	315(A,J)AV048090	CAP**4821A**	0.96	0.96	315(A,J)AV048090	CAP**6025A**	0.98	0.94	359BAV060100	CAP**6025A**	0.98	0.94	359BAV060100
CAP**6024A**	0.98	0.98	315(A,J)AV060110	CAP**6024A**	0.96	0.96	315(A,J)AV060110	CSPH*4812A**	0.97	0.97	359BAV060100	CSPH*4812A**	0.97	0.97	359BAV060100
CAP**6025A**	0.98	0.98	315(A,J)AV060110	CAP**6021A**	0.97	0.93	315(A,J)AV060110	CSPH*6012A**	0.98	0.94	359BAV060100	CSPH*6012A**	0.98	0.94	359BAV060100
CNPV*4818A**	0.99	0.99	315(A,J)AV060110	CAP**6024A**	0.96	0.96	315(A,J)AV060110	CAP**4817A**	0.97	0.97	359BAV060100	CAP**4817A**	0.97	0.97	359BAV060100
CNPV*4821A**	0.97	1.01	315(A,J)AV060110	CNPV*4821A**	0.96	0.96	315(A,J)AV060110	CAP**4821A**	0.96	0.96	353(A,B)AV048080	CAP**4821A**	0.96	0.96	353(A,B)AV048080
CNPV*6124A**	0.99	0.99	315(A,J)AV060110	CNPV*6124A**	0.96	0.94	315(A,J)AV060110	CNPV*4821A**	0.98	0.98	353(A,B)AV048080	CNPV*4821A**	0.98	0.98	353(A,B)AV048080
CNPV*4821A**	0.97	1.01	315(A,J)AV060110	CNPV*4821A**	0.96	0.96	315(A,J)AV060110	CNPV*6124A**	0.98	0.98	353(A,B)AV048080	CNPV*6124A**	0.98	0.98	353(A,B)AV048080
CNPV*4824A**	0.97	1.01	315(A,J)AV060110	CNPV*4824A**	0.96	0.96	315(A,J)AV060110	CNPV*4821A**	0.96	0.94	353(A,B)AV048080	CNPV*4821A**	0.96	0.94	353(A,B)AV048080
CSPH*4812A**	0.98	1.02	315(A,J)AV060110	CNPV*6124A**	0.99	0.95	315(A,J)AV060110	CSPH*4812A**	0.97	0.97	353(A,B)AV048080	CSPH*4812A**	0.97	0.97	353(A,B)AV048080
CSPH*6012A**	0.99	0.99	315(A,J)AV060110	CSPH*4812A**	0.97	0.97	315(A,J)AV060110	CSPH*6012A**	0.98	0.94	353(A,B)AV060100	CSPH*6012A**	0.98	0.94	353(A,B)AV060100
FB4CNF048	0.97	0.97	315(A,J)AV060110	CAP**4824A**	0.96	0.92	315(A,J)AV066135	CAP**4824A**	0.96	0.92	353(A,B)AV060100	CAP**4824A**	0.96	0.92	353(A,B)AV060100
FB4CNF060	0.99	0.95	315(A,J)AV060110	CAP**6024A**	0.98	0.94	315(A,J)AV066135	CAP**6024A**	0.98	0.94	353(A,B)AV060100	CAP**6024A**	0.98	0.94	353(A,B)AV060100
FE4ANB006	0.99	0.95	315(A,J)AV060110	CNPV*4821A**	0.96	0.92	315(A,J)AV066135	CNPV*4821A**	0.96	0.92	353(A,B)AV060100	CNPV*4821A**	0.96	0.92	353(A,B)AV060100
FV4BNB005	0.98	0.94	315(A,J)AV060110	CNPV*6124A**	0.98	0.94	315(A,J)AV066135	CNPV*6124A**	0.98	0.94	353(A,B)AV060100	CNPV*6124A**	0.98	0.94	353(A,B)AV060100
FV4BNB006	0.99	0.95	315(A,J)AV060110	CNPV*4824A**	0.96	0.92	315(A,J)AV066135	CNPV*4824A**	0.96	0.92	353(A,B)AV060100	CNPV*4824A**	0.96	0.92	353(A,B)AV060100
FV4CNB005	0.98	0.94	315(A,J)AV060110	CNPV*6124A**	0.98	0.94	315(A,J)AV066135	CNPV*6124A**	0.98	0.94	353(A,B)AV060100	CNPV*6124A**	0.98	0.94	353(A,B)AV060100
FV4CNB006	0.99	0.95	315(A,J)AV060110	CNPV*6124A**	0.98	0.94	315(A,J)AV066135	CNPV*6124A**	0.98	0.94	353(A,B)AV060100	CNPV*6124A**	0.98	0.94	353(A,B)AV060100
FX4CNB006	0.99	0.95	315(A,J)AV060110	CSPH*4812A**	0.96	0.92	315(A,J)AV066135	CSPH*4812A**	0.96	0.92	353(A,B)AV060100	CSPH*4812A**	0.96	0.92	353(A,B)AV060100
FX4CNB006	0.99	0.95	315(A,J)AV060110	CSPH*6012A**	0.97	0.93	315(A,J)AV066135	CSPH*6012A**	0.97	0.93	353(A,B)AV060100	CSPH*6012A**	0.97	0.93	353(A,B)AV060100
FX4DNB006	1.00	0.96	315(A,J)AV048090	CAP**6012A**	0.98	0.94	315(A,J)AV066135	CAP**6012A**	0.98	0.94	353(A,B)AV060100	CAP**6012A**	0.98	0.94	353(A,B)AV060100
FX4DNB006	0.99	0.95	315(A,J)AV048090	CAP**4824A**	0.96	0.92	315(A,J)AV066135	CAP**4824A**	0.96	0.92	353(A,B)AV060100	CAP**4824A**	0.96	0.92	353(A,B)AV060100
FX4DNB006	1.00	0.96	315(A,J)AV048090	CAP**6024A**	0.98	0.94	315(A,J)AV066135	CAP**6024A**	0.98	0.94	353(A,B)AV060100	CAP**6024A**	0.98	0.94	353(A,B)AV060100
FX4DNB006	0.99	0.95	315(A,J)AV048090	CAP**6024A**	0.98	0.94	315(A,J)AV066135	CAP**6024A**	0.98	0.94	353(A,B)AV060100	CAP**6024A**	0.98	0.94	353(A,B)AV060100
FX4DNB006	1.00	0.96	315(A,J)AV048090	CNPV*4821A**	0.96	0.92	315(A,J)AV066135	CNPV*4821A**	0.96	0.92	353(A,B)AV060100	CNPV*4821A**	0.96	0.92	353(A,B)AV060100
FX4DNB006	0.99	0.95	315(A,J)AV048090	CNPV*6124A**	0.98	0.94	315(A,J)AV066135	CNPV*6124A**	0.98	0.94	353(A,B)AV060100	CNPV*6124A**	0.98	0.94	353(A,B)AV060100
FX4DNB006	0.97	0.93	315(A,J)AV048090	CNPV*6124A**	0.98	0.94	315(A,J)AV066135	CNPV*6124A**	0.98	0.94	353(A,B)AV060100	CNPV*6124A**	0.98	0.94	353(A,B)AV060100
CNPV*4821A**	0.96	0.96	315(A,J)AV048090	CNPV*4821A**	0.97	0.93	315(A,J)AV066135	CNPV*4821A**	0.97	0.93	353(A,B)AV060100	CNPV*4821A**	0.97	0.93	353(A,B)AV060100

126B

DETAILED COOLING CAPACITIES# (CONT.)

126BNA048***A Outdoor Section With CNPV*6124A** Indoor Section

COOLING INDOOR MODEL	CAPACITY	POWER	FURNACE MODEL
CNPV*4821A**	0.96	0.92	313*AV060110
CNPV*4824A**	0.96	0.92	313*AV060110
CNPV*6024A**	0.98	0.94	313*AV060110
CNPV*6124A**	0.99	0.95	313*AV060110
CSPH*4812A**	0.97	0.93	313*AV060110
CSPH*6012A**	0.99	0.95	313*AV060110
CAP**4824A**	0.96	0.96	313*AV060135
CAP**6024A**	0.98	0.94	313*AV060135
CNPV*4821A**	0.96	0.92	313*AV060135
CNPV*6124A**	0.98	0.94	313*AV060135
CNPV*4824A**	0.96	0.92	313*AV060135
CNPV*6024A**	0.98	0.94	313*AV060135
CNPV*6124A**	0.99	0.95	313*AV060135
CSPH*4812A**	0.97	0.93	313*AV060135
CSPH*6012A**	0.99	0.95	313*AV060135

See notes on pg. 51

COOLING INDOOR MODEL	CAPACITY	POWER	FURNACE MODEL
CNPV*6124A**	1.00	0.96	353(A,B)AV060120
CSPH*4812A**	0.97	0.93	353(A,B)AV060120
CSPH*6012A**	0.99	0.95	353(A,B)AV060120
CAP**4821A**	0.95	0.95	355(A,C)AV060080
CAP**4824A**	0.95	0.95	355(A,C)AV060080
CAP**6021A**	0.97	0.97	355(A,C)AV060080
CAP**6024A**	0.97	0.97	355(A,C)AV060080
CNPV*4821A**	0.95	0.95	355(A,C)AV060080
CNPV*4824A**	0.95	0.95	355(A,C)AV060080
CNPV*6124A**	0.98	0.94	355(A,C)AV060080
CNPV*6024A**	0.97	0.96	355(A,C)AV060080
CSPH*4812A**	0.96	0.93	355(A,C)AV060080
CSPH*6012A**	0.97	0.93	355(A,C)AV060080
CAP**4821A**	0.96	0.96	355(A,C)AV060100
CAP**4824A**	0.96	0.96	355(A,C)AV060100
CAP**6021A**	0.97	0.97	355(A,C)AV060100
CAP**6024A**	0.97	0.97	355(A,C)AV060100
CNPV*4821A**	0.96	0.96	355(A,C)AV060100
CNPV*4824A**	0.97	0.97	355(A,C)AV060100
CNPV*6124A**	0.98	0.98	355(A,C)AV060100
CNPV*6024A**	0.96	0.96	355(A,C)AV060100
CNPV*4824A**	0.96	0.96	355(A,C)AV060100
CNPV*6024A**	0.97	0.97	355(A,C)AV060100
CNPV*6124A**	0.99	0.95	355(A,C)AV060100
CSPH*4812A**	0.97	0.97	355(A,C)AV060100
CSPH*6012A**	0.98	0.94	355(A,C)AV060100
CAP**4824A**	0.96	0.96	355(A,C)AV060120
CAP**6024A**	0.97	0.93	355(A,C)AV060120
CNPV*4821A**	0.96	0.96	355(A,C)AV060120
CNPV*6024A**	0.97	0.93	355(A,C)AV060120
CNPV*6124A**	0.98	0.94	355(A,C)AV060120
CNPV*4824A**	0.96	0.96	355(A,C)AV060120
CNPV*6024A**	0.97	0.93	355(A,C)AV060120
CNPV*6124A**	0.98	0.94	355(A,C)AV060120
CSPH*4812A**	0.97	0.97	355(A,C)AV060120
CSPH*6012A**	0.98	0.94	355(A,C)AV060120
CAP**4821A**	0.96	0.96	313*AV048090
CAP**4824A**	0.96	0.96	313*AV048090
CAP**6021A**	0.98	0.94	313*AV048090
CAP**6024A**	0.98	0.94	313*AV048090
CNPV*4821A**	0.96	0.96	313*AV048090
CNPV*4824A**	0.96	0.96	313*AV048090
CNPV*6124A**	0.98	0.94	313*AV048090
CNPV*6024A**	0.98	0.94	313*AV048090
CNPV*4824A**	0.96	0.96	313*AV048090
CNPV*6024A**	0.98	0.94	313*AV048090
CNPV*6124A**	0.99	0.95	313*AV048090
CSPH*4812A**	0.97	0.93	313*AV048090
CSPH*6012A**	0.98	0.94	313*AV048090
CAP**4821A**	0.96	0.96	313*AV060110
CAP**4824A**	0.96	0.92	313*AV060110
CAP**6021A**	0.98	0.94	313*AV060110
CAP**6024A**	0.98	0.94	313*AV060110
CNPV*4821A**	0.96	0.92	313*AV060110
CNPV*4824A**	0.96	0.92	313*AV060110
CNPV*6124A**	0.98	0.94	313*AV060110
CNPV*6024A**	0.98	0.94	313*AV060110
CNPV*4824A**	0.96	0.94	313*AV060110
CNPV*6024A**	0.98	0.94	313*AV060110
CNPV*6124A**	0.99	0.95	313*AV060110
CSPH*4812A**	0.97	0.93	313*AV060110
CSPH*6012A**	0.98	0.94	313*AV060110

CONDENSER ONLY RATINGS

SST ° F (° C)		CONDENSER ENTERING AIR TEMPERATURES ° F (° C)							
		55 (12.78)	65 (18.33)	75 (23.89)	85 (29.44)	95 (35.0)	105 (40.56)	115 (46.11)	125 (51.67)
126BNA018****A									
30 (-1.11)	TCG	15.70	14.90	14.10	13.20	12.30	11.30	10.20	9.20
	SDT	66.60	76.20	85.80	95.30	104.80	114.30	123.70	133.10
	KW	0.75	0.87	0.99	1.12	1.26	1.41	1.60	1.81
35 (1.67)	TCG	17.50	16.60	15.70	14.70	13.70	12.60	11.50	10.30
	SDT	67.80	77.30	86.80	96.30	105.70	115.10	124.40	133.80
	KW	0.75	0.87	0.99	1.12	1.26	1.42	1.60	1.81
40 (4.44)	TCG	19.40	18.40	17.40	16.30	15.20	14.00	12.80	11.50
	SDT	69.00	78.50	87.90	97.30	106.60	115.90	125.20	134.50
	KW	0.74	0.87	0.99	1.12	1.26	1.42	1.60	1.81
45 (7.22)	TCG	21.50	20.30	19.20	18.00	16.70	15.50	14.10	12.80
	SDT	70.40	79.70	89.00	98.30	107.60	116.90	126.10	135.30
	KW	0.74	0.86	0.99	1.13	1.27	1.43	1.61	1.82
50 (10.0)	TCG	23.60	22.40	21.10	19.70	18.40	17.00	15.60	14.10
	SDT	71.60	80.90	90.10	99.40	108.60	117.80	127.00	136.20
	KW	0.73	0.86	1.00	1.13	1.28	1.44	1.62	1.82
55 (12.78)	TCG	25.90	24.50	23.10	21.60	20.10	18.60	17.10	15.50
	SDT	73.00	82.10	91.30	100.50	109.70	118.80	128.00	137.10
	KW	0.73	0.86	1.14	1.14	1.29	1.45	1.63	1.84
126BNA024****A									
30 (-1.11)	TCG	21.10	20.10	19.00	17.90	16.70	15.40	14.10	12.70
	SDT	66.10	75.80	85.30	94.90	104.40	114.00	123.40	132.80
	KW	1.00	1.15	1.31	1.47	1.65	1.86	2.09	2.37
35 (1.67)	TCG	23.40	22.20	21.00	19.80	18.50	17.10	15.60	14.10
	SDT	67.20	76.80	86.30	95.80	105.30	114.70	124.10	133.50
	KW	0.99	1.15	1.31	1.47	1.66	1.86	2.10	2.37
40 (4.44)	TCG	25.80	24.60	23.20	21.80	20.40	18.90	17.30	15.70
	SDT	68.40	77.90	87.30	96.70	106.10	115.50	124.80	134.10
	KW	0.98	1.14	1.31	1.48	1.66	1.87	2.10	2.37
45 (7.22)	TCG	28.50	27.00	25.50	24.00	22.40	20.80	19.10	17.40
	SDT	69.60	79.00	88.30	97.70	107.00	116.30	125.60	134.90
	KW	0.97	1.14	1.31	1.48	1.67	1.87	2.11	2.37
50 (10.0)	TCG	31.20	29.60	28.00	26.30	24.60	22.80	21.00	19.10
	SDT	70.80	80.10	89.40	98.70	107.90	117.20	126.40	135.60
	KW	0.96	1.14	1.31	1.49	1.67	1.88	2.12	2.38
55 (12.78)	TCG	34.20	32.40	30.60	28.80	26.90	25.00	23.00	20.90
	SDT	72.10	81.30	90.50	99.70	108.90	118.10	127.30	136.40
	KW	0.95	1.13	1.31	1.49	1.69	1.90	2.13	2.39
126BNA030****A									
30 (-1.11)	TCG	24.90	23.50	22.20	20.80	19.40	17.90	16.20	14.40
	SDT	68.10	77.50	87.00	96.40	105.80	115.10	124.40	133.60
	KW	1.27	1.43	1.60	1.78	1.99	2.23	2.50	2.81
35 (1.67)	TCG	27.50	26.00	24.50	23.10	21.50	19.90	18.10	16.20
	SDT	69.40	78.70	88.10	97.40	106.70	116.00	125.30	134.40
	KW	1.28	1.44	1.61	1.79	2.00	2.24	2.51	2.82
40 (4.44)	TCG	30.30	28.60	27.10	25.50	23.80	22.00	20.10	18.10
	SDT	70.70	79.90	89.20	98.50	107.70	117.00	126.20	135.30
	KW	1.29	1.44	1.61	1.80	2.01	2.25	2.52	2.83
45 (7.22)	TCG	33.30	31.50	29.80	28.00	26.20	24.30	22.30	20.10
	SDT	72.00	81.20	90.40	99.60	108.80	118.00	127.20	136.30
	KW	1.29	1.44	1.61	1.80	2.01	2.26	2.53	2.85
50 (10.0)	TCG	36.50	34.50	32.60	30.70	28.80	26.70	24.50	22.20
	SDT	73.50	82.50	91.70	100.80	110.00	119.20	128.20	137.20
	KW	1.29	1.44	1.61	1.80	2.02	2.26	2.54	2.86
55 (12.78)	TCG	39.90	37.80	35.70	33.60	31.50	29.30	26.90	24.40
	SDT	75.00	84.00	93.00	102.10	111.20	120.30	129.30	138.20
	KW	1.29	1.44	1.61	1.80	2.02	2.27	2.54	2.86
126BNA036****A									
30 (-1.11)	TCG	30.40	28.80	27.20	25.60	23.90	22.10	20.20	18.20
	SDT	68.90	78.20	87.50	96.80	106.20	115.50	124.90	134.20
	KW	1.49	1.72	1.95	2.21	2.49	2.81	3.20	3.64
35 (1.67)	TCG	33.50	31.80	30.10	28.30	26.50	24.50	22.50	20.30
	SDT	70.10	79.30	88.60	97.90	107.20	116.50	125.80	135.00
	KW	1.49	1.73	1.96	2.22	2.50	2.82	3.20	3.65
40 (4.44)	TCG	37.00	35.10	33.20	31.20	29.20	27.10	24.90	22.60
	SDT	71.40	80.60	89.80	99.00	108.20	117.40	126.70	135.90
	KW	1.50	1.73	1.97	2.23	2.51	2.84	3.21	3.65
45 (7.22)	TCG	40.60	38.60	36.50	34.30	32.10	29.80	27.40	24.90
	SDT	72.80	81.90	91.00	100.20	109.40	118.50	127.70	136.80
	KW	1.51	1.75	1.99	2.24	2.53	2.85	3.23	3.66
50 (10.0)	TCG	44.50	42.30	40.00	37.70	35.20	32.70	30.10	27.40
	SDT	74.40	83.30	92.40	101.50	110.50	119.60	128.70	137.70
	KW	1.53	1.76	2.01	2.26	2.55	2.87	3.24	3.67
55 (12.78)	TCG	48.70	46.20	43.70	41.20	38.50	35.80	33.00	30.00
	SDT	76.00	84.90	93.80	102.80	111.80	120.80	129.80	138.70
	KW	1.55	1.79	2.03	2.29	2.57	2.90	3.26	3.69

See notes on page 53

CONDENSER ONLY RATINGS CONTINUED

SST °F (°C)		CONDENSER ENTERING AIR TEMPERATURES °F (°C)							
		55 (12.78)	65 (18.33)	75 (23.89)	85 (29.44)	95 (35.0)	105 (40.56)	115 (46.11)	125 (51.67)
126BNA042****A									
30 (-1.11)	TCG	37.90	36.20	34.30	32.30	30.10	27.90	25.50	23.00
	SDT	69.80	79.20	88.70	98.10	107.40	116.70	125.90	135.10
	KW	1.83	2.03	2.26	2.54	2.86	3.22	3.63	4.09
35 (1.67)	TCG	41.90	40.00	37.90	35.70	33.30	30.80	28.30	25.60
	SDT	71.20	80.60	89.90	99.20	108.40	117.70	126.80	136.00
	KW	1.84	2.04	2.28	2.56	2.88	3.24	3.65	4.10
40 (4.44)	TCG	46.10	44.00	41.70	39.20	36.70	34.00	31.20	28.30
	SDT	72.70	81.90	91.20	100.40	109.60	118.70	127.80	136.90
	KW	1.85	2.05	2.30	2.58	2.90	3.26	3.67	4.13
45 (7.22)	TCG	50.70	48.30	45.80	43.10	40.20	37.30	34.30	31.10
	SDT	74.20	83.30	92.50	101.60	110.80	119.80	128.90	137.90
	KW	1.86	2.07	2.32	2.60	2.92	3.29	3.70	4.15
50 (10.0)	TCG	55.50	52.90	50.10	47.10	44.00	40.80	37.50	34.10
	SDT	75.80	84.80	93.90	103.00	112.00	121.00	130.00	138.90
	KW	1.87	2.09	2.34	2.63	2.95	3.32	3.73	4.19
55 (12.78)	TCG	60.70	57.70	54.60	51.30	47.90	44.40	40.80	37.10
	SDT	77.40	86.40	95.40	104.40	113.40	122.30	131.20	140.00
	KW	1.89	2.11	2.36	2.66	2.99	3.36	3.77	4.22
126BNA048****A									
30 (-1.11)	TCG	41.30	39.10	36.90	34.70	32.40	30.00	27.50	24.80
	SDT	67.80	77.20	86.60	96.00	105.40	114.70	124.00	133.30
	KW	2.01	2.31	2.59	2.89	3.19	3.54	3.93	4.38
35 (1.67)	TCG	45.60	43.20	40.80	38.30	35.80	33.20	30.40	27.60
	SDT	69.00	78.30	87.70	97.00	106.30	115.60	124.80	134.10
	KW	1.94	2.27	2.58	2.89	3.21	3.56	3.95	4.39
40 (4.44)	TCG	50.50	47.70	45.00	42.20	39.40	36.60	33.60	30.50
	SDT	70.40	79.60	88.80	98.00	107.20	116.50	125.70	134.80
	KW	1.84	2.20	2.54	2.87	3.21	3.57	3.97	4.41
45 (7.22)	TCG	55.70	52.60	49.50	46.50	43.40	40.20	36.90	33.50
	SDT	71.80	80.80	90.00	99.10	108.30	117.40	126.60	135.70
	KW	1.69	2.09	2.46	2.83	3.19	3.57	3.98	4.43
50 (10.0)	TCG	61.40	57.90	54.50	51.00	47.60	44.10	40.50	36.70
	SDT	73.20	82.20	91.30	100.30	109.40	118.50	127.50	136.50
	KW	1.50	1.94	2.36	2.76	3.15	3.55	3.98	4.44
55 (12.78)	TCG	67.60	63.60	59.80	55.90	52.10	48.20	44.20	40.10
	SDT	74.70	83.70	92.60	101.60	110.60	119.60	128.50	137.40
	KW	1.26	1.75	2.21	2.65	3.08	3.51	3.97	4.44
126BNA060****A									
30 (-1.11)	TCG	45.10	43.80	42.30	40.50	38.50	36.20	33.50	30.50
	SDT	69.00	78.40	87.70	97.10	106.40	115.60	124.80	134.00
	KW	2.22	2.52	2.83	3.17	3.56	4.00	4.53	5.15
35 (1.67)	TCG	50.00	48.40	46.70	44.70	42.50	40.00	37.10	33.80
	SDT	70.40	79.70	89.00	98.20	107.40	116.60	125.80	134.90
	KW	2.21	2.52	2.85	3.19	3.58	4.03	4.55	5.16
40 (4.44)	TCG	55.10	53.40	51.40	49.20	46.70	44.00	40.80	37.30
	SDT	71.90	81.10	90.20	99.40	108.50	117.60	126.70	135.70
	KW	2.21	2.53	2.86	3.21	3.61	4.05	4.57	5.18
45 (7.22)	TCG	60.70	58.60	56.40	54.00	51.20	48.20	44.80	41.00
	SDT	73.50	82.50	91.60	100.70	109.70	118.70	127.70	136.70
	KW	2.20	2.53	2.87	3.23	3.63	4.08	4.60	5.20
50 (10.0)	TCG	66.50	64.20	61.70	59.00	56.00	52.60	48.90	44.70
	SDT	75.10	84.00	93.00	102.00	111.00	119.90	128.80	137.60
	KW	2.19	2.53	2.89	3.26	3.66	4.11	4.63	5.22
55 (12.78)	TCG	72.80	70.10	67.30	64.20	60.90	57.20	53.10	48.60
	SDT	76.80	85.70	94.50	103.40	112.30	121.10	129.90	138.60
	KW	2.18	2.54	2.90	3.28	3.69	4.15	4.66	5.25

* AHRI listing applies only to systems shown in Combination Ratings table.

KW – Outdoor Unit Kilowatts Only.

SDT – Saturated Temperature Leaving Compressor (°F)

SST – Saturated Temperature Entering Compressor (°F/°C)

TCG – Gross Cooling Capacity (1000 Btuh)

126B

GUIDE SPECIFICATIONS

GENERAL

System Description

Outdoor-mounted, air-cooled, split-system air conditioner unit suitable for ground or rooftop installation. Unit consists of a hermetic compressor, an air-cooled coil, propeller-type condenser fan, and a control box. Unit will discharge supply air upward as shown on contract drawings. Unit will be used in a refrigeration circuit to match up to a packaged fan coil or coil unit.

Quality Assurance

- Unit will be rated in accordance with the latest edition of AHRI Standard 210.
- Unit will be certified for capacity and efficiency, and listed in the latest AHRI directory.
- Unit construction will comply with latest edition of ANSI/ASHRAE and with NEC.
- Unit will be constructed in accordance with UL standards and will carry the UL label of approval. Unit will have c-UL-us approval.
- Unit cabinet will be capable of withstanding Federal Test Method Standard No. 141 (Method 6061) 500-hr salt spray test.
- Air-cooled condenser coils will be leak tested at 150 psig and pressure tested at 450 psig.
- Unit constructed in ISO9001 approved facility.

Delivery, Storage, and Handling

- Unit will be shipped as single package only and is stored and handled per unit manufacturer's recommendations.

Warranty (for inclusion by specifying engineer)

- U.S. and Canada only.

PRODUCTS

Equipment

Factory assembled, single piece, air-cooled air conditioner unit. Contained within the unit enclosure is all factory wiring, piping, controls, compressor, refrigerant charge Puron® (R-410A), and special features required prior to field start-up.

Unit Cabinet

- Unit cabinet will be constructed of galvanized steel, bonderized, and coated with a powder coat paint.

AIR-COOLED, SPLIT-SYSTEM AIR CONDITIONER

126B

1-1/2 TO 5 NOMINAL TONS

Fans

- Condenser fan will be direct-drive propeller type, discharging air upward.
- Condenser fan motors will be totally enclosed, 1-phase type with class B insulation and permanently lubricated bearings. Shafts will be corrosion resistant.
- Fan blades will be statically and dynamically balanced.
- Condenser fan openings will be equipped with coated steel wire safety guards.

Compressor

- Compressor will be hermetically sealed.
- Compressor will be mounted on rubber vibration isolators.

Condenser Coil

- Condenser coil will be air cooled.
- Coil will be constructed of aluminum fins mechanically bonded to copper tubes which are then cleaned, dehydrated, and sealed.

Refrigeration Components

- Refrigeration circuit components will include liquid-line shutoff valve with sweat connections, vapor-line shutoff valve with sweat connections, system charge of Puron® (R-410A) refrigerant, and compressor oil.
- Unit will be equipped with high-pressure switch, low pressure switch and filter drier for Puron refrigerant.

Operating Characteristics

- The capacity of the unit will meet or exceed _____ Btuh at a suction temperature of _____ °F/°C. The power consumption at full load will not exceed _____ kW.
- Combination of the unit and the evaporator or fan coil unit will have a total net cooling capacity of _____ Btuh or greater at conditions of _____ CFM entering air temperature at the evaporator at _____ °F/°C wet bulb and _____ °F/°C dry bulb, and air entering the unit at _____ °F/°C.
- The system will have a SEER of _____ Btuh/watt or greater at DOE conditions.

Electrical Requirements

- Nominal unit electrical characteristics will be _____ v, single phase, 60 hz. The unit will be capable of satisfactory operation within voltage limits of _____ v to _____ v.
- Unit electrical power will be single point connection.
- Control circuit will be 24v.

Special Features

- Refer to section of this literature identifying accessories and descriptions for specific features and available enhancements.

SYSTEM DESIGN SUMMARY

1. Intended for outdoor installation with free air inlet and outlet. Outdoor fan external static pressure available is less than 0.01-in. wc.
2. Minimum outdoor operating air temperature for cooling mode without low-ambient operation accessory is 55°F (12.8°C).
3. Maximum outdoor operating air temperature is 125°F (51.7°C).
4. For reliable operation, unit should be level in all horizontal planes.
5. For interconnecting refrigerant tube lengths greater than 80 ft (23.4 m) and/or 35 ft (10.7 m) vertical differential, consult Residential Piping and Longline Guideline and Service Manual available from equipment distributor.
6. If any refrigerant tubing is buried, provide a 6 in. (152.4 mm) vertical rise to the valve connections at the unit. Refrigerant tubing lengths up to 36 in. (914.4 mm) may be buried without further consideration. Do not bury refrigerant lines longer than 36 in. (914.4 mm).
7. Use only copper wire for electric connection at unit. Aluminum and clad aluminum are not acceptable for the type of connector provided.
8. Do not apply capillary tube indoor coils to these units.
9. Factory-supplied filter drier must be installed.

