



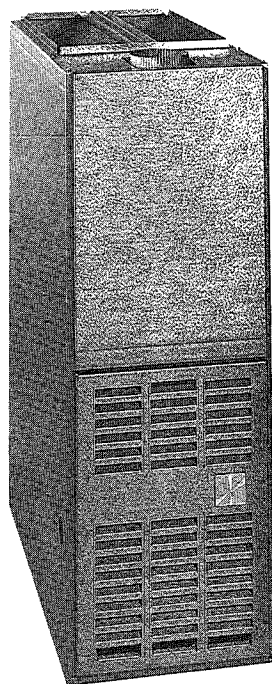
Bryant
Air Conditioning

Indianapolis, IN

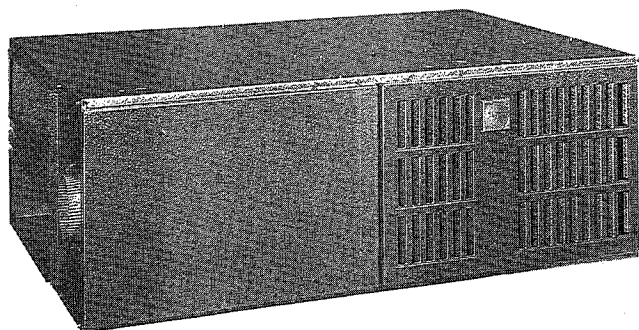
HIGH-EFFICIENCY DOWNFLOW/HORIZONTAL INDUCED-COMBUSTION FURNACE

MODEL 373LAV

Sizes 050 through 135
Series C



DOWNFLOW



HORIZONTAL

The 373LAV is our special induced-combustion furnace manufactured to meet the requirements of builders and budget-minded consumers. Lower cost with the same quality and efficiency you expect.

FEATURES

EFFICIENCY—The 373LAV Induced-Combustion Gas Furnace provides the efficiency customers want with 80% Annual Fuel Utilization Efficiency (AFUE).

HOT SURFACE IGNITION—This field-proven ignition system will save energy and improve reliability.

ALUMINIZED HEAT EXCHANGER—The patented 4-pass heat exchanger is made of aluminized steel and backed by a 10-year Limited Warranty.

INTELLIGENT CONTROL BOARD—The 373LAV Furnace has an intelligent control board that monitors the operation of the furnace. This control board also has a self-test feature that enables the servicing technician to verify operation of the board itself, the inducer, the hot surface ignitor, both high- and low-speed blower operation, and the humidifier.

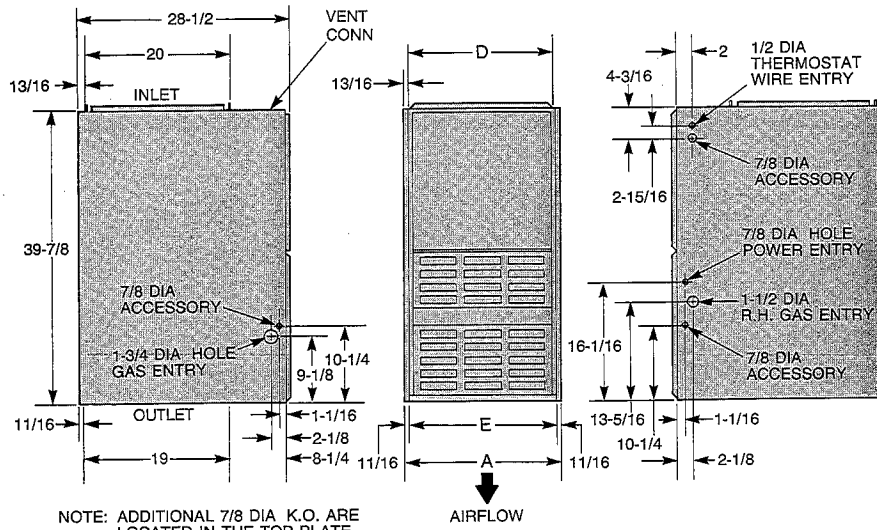
40-IN. HEIGHT—The 373LAV is assembled in a cabinet only 40 in. tall. This simplifies installation in alcoves, attics, basements (ideal for short basement), closets, and utility rooms, especially with a high-efficiency cooling coil.

MULTIPOSED DOWNFLOW OR HORIZONTAL—Our furnace can be used in a downflow, horizontal left, or horizontal right configuration.

CABINET—An embossed galvanized steel with a clear coating that surpasses our 200-hour high humidity test. It provides superior rust and humidity protection.

PATENTED DRAFT SAFEGUARD—Our induced-combustion furnace has a patented draft safeguard switch. The safeguard switch stops furnace operation if the vent system becomes blocked or is not operating properly. An exclusive with our furnaces.

EASY INSTALLATION—The model 373LAV has many features that make installation easier: left or right gas and electrical connections, blower speed selector, matching coil sizes, accessory low-voltage connections, and many more.



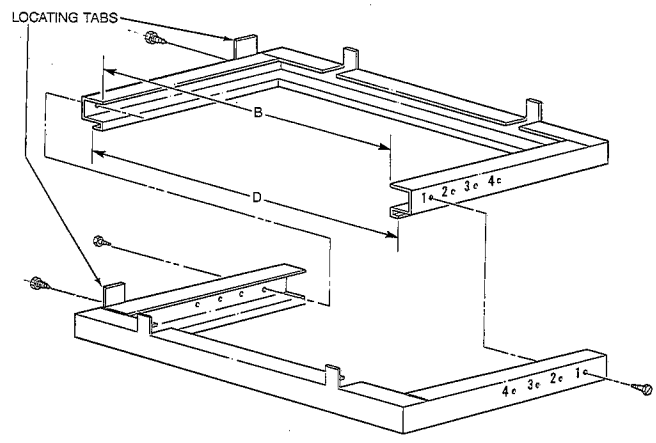
A88324

DIMENSIONS (In.)

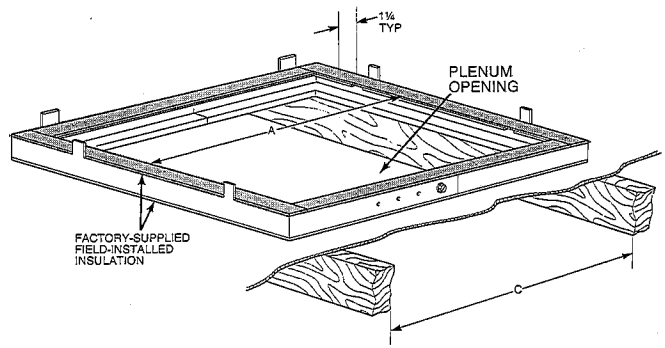
UNIT SIZE	A	D	E	VENT CONNECTION*	SHIPPING WEIGHT
024050	14-3/16	12-9/16	12-11/16	4	118
036050	14-3/16	12-9/16	12-11/16	4	121
024070	14-3/16	12-9/16	12-11/16	4	135
036070	14-3/16	12-9/16	12-11/16	4	139
036095	17-1/2	15-7/8	16	4	146
048095	17-1/2	15-7/8	16	4	146
048115	17-1/2	15-7/8	16	4	163
060115	21	19-3/8	19-1/2	4	171
060135	24-1/2	22-7/8	23	5	182

*Refer to the furnace Installation Instructions for proper venting procedures.

ACCESSORY DOWNFLOW SUBBASE



A88207



A88206

Disassembled

Assembled

DIMENSIONAL DATA (In.)

FURNACE WIDTH	PLENUM OPENING*		FRAMED FLOOR HOLE		HOLE NO. FOR WIDTH ADJUSTMENT
	A	B	C	D	
14-3/16	11-13/16	19	13-7/16	20-3/8	4
17-1/2	15-1/8	19	16-3/4	20-3/8	3
21	18-5/8	19	20-1/4	20-3/8	2
24-1/2	22-1/8	19	23-3/4	20-3/8	1

*The plenum should be constructed 1/4-in. smaller in width and depth than the plenum dimensions shown above.



SPECIFICATIONS

UNIT SIZE	024050	036050	024070	036070	036095	048095	048115	060115	060135		
RATINGS AND PERFORMANCE											
Input Btuh*	46,000	46,000	69,000	69,000	92,000	92,000	115,000	115,000	135,000		
Capacity†	Nonweatherized ICS‡		37,000	37,000	56,000	56,000	75,000	75,000	94,000	94,000	110,000
AFUE%†	Nonweatherized ICS‡		80.0	80.0	80.0	80.0	80.0	80.0	80.0	80.0	
Certified Temperature Rise Range °F	30—60	20—50	50—80	30—60	45—75	30—60	50—80	35—65	45—75		
Certified External Static Pressure Heat/Cool	0.10/0.50	0.10/0.50	0.12/0.50	0.12/0.50	0.15/0.50	0.15/0.50	0.20/0.50	0.20/0.50	0.20/0.50		
Airflow CFM	Heating	720	1170	660	1200	1155	1350	1400	1735	1690	
	Cooling	895	1215	930	1300	1395	1580	1595	1950	2055	
ELECTRICAL											
Unit Volts—Hertz—Phase	115—60—1										
Operating Voltage Range Min—Max	104—127										
Maximum Unit Amps	6.6	8.1	6.7	8.4	9.2	10.2	10.1	13.3	14.3		
Maximum Wire Length (Measured 1 Way)	Ft	42	34	42	33	30	28	28	33	31	
Minimum Wire Size	14										
Maximum Fuse Size	15										
Transformer (24v)	40VA										
External Control	Heating		12VA								
Power Available	Cooling		35VA								
Air Conditioning Blower Relay	Standard										
CONTROLS											
Limit Control	SPST										
Heating Blower Control	Solid-State Time Operation										
Burners (Monoport)	2		3		4		5		6		
Gas Connection Size	1/2-in. NPT										
GAS CONTROLS											
Gas Valve (Redundant)	White-Rodgers										
	Min Inlet Pressure (in. wc)		4.5 (Natural Gas)								
	Max Inlet Pressure (in. wc)		13.6 (Natural Gas)								
Main Burner Ignitor	Hot Surface										
BLOWER DATA											
Direct-Drive Motor HP (PSC)	1/5	1/3	1/5	1/3	1/2	1/2		3/4			
Motor Full Load Amps	2.9	5.8	2.9	5.8	7.9	7.9		11.1			
RPM (Nominal)—Speeds	1075—3	1075—4	1075—3	1075—4							
Blower Wheel Diameter x Width (in.)	10 x 6			10 x 7		10 x 8		11 x 10			
Filter Size (in.)—Permanent Washable	(2) 16 x 20 x 1										
FACTORY-AUTHORIZED DEALER-INSTALLED ACCESSORIES											
Accessory Downflow Subbase	KGASB0101ALL										
Gas Conversion Kit—Natural-to-Propane	KGANP2001ALL										
Gas Conversion Kit—Propane-to-Natural	KGAPN1601ALL										
Duct-Flange Kit	KGARF0101ALL										

* Gas inputs shown are for elevations up to 2000 ft. For elevations above 2000 ft, input should be reduced at the rate of 4% for each 1000 ft above sea level. Refer to National Fuel Gas Code Table F4.

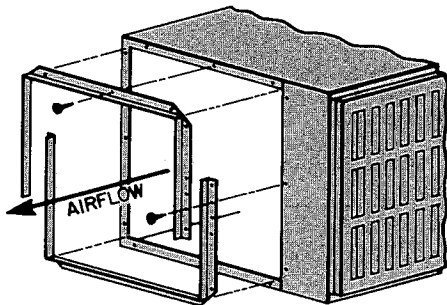
† Tentative capacity in accordance with U.S. Government DOE test procedures.

‡ Isolated Combustion System



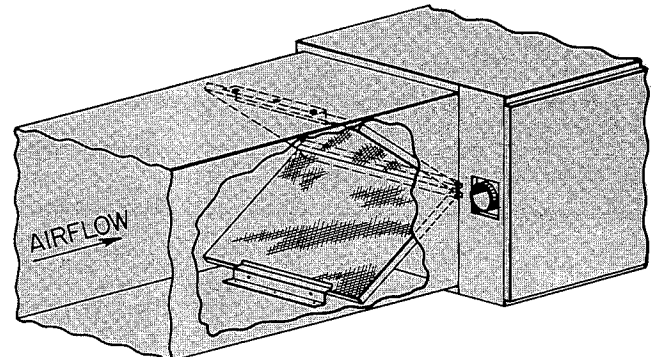
MEETS DOE RESIDENTIAL CONSERVATION SERVICES PROGRAM STANDARDS.

Before purchasing this appliance, read important energy cost and efficiency information available from your retailer.



**Duct Flanges
(Accessory)**

A82172



**Filter Retainers
(Field Supplied)**

A82173

AIR DELIVERY—CFM (WITH FILTERS)

UNIT SIZE	BLOWER MOTOR HP	SPEED	EXTERNAL STATIC PRESSURE (IN. WC)							
			0.1	0.2	0.3	0.4	0.5	0.6	0.7	0.8
024050	1/5 PSC	High	1100	1050	1000	950	895	840	760	650
		Med-High	860	820	790	760	710	655	580	480
		Med-Low	720	685	650	615	560	505	440	360
036050	1/3 PSC	High	—	1400	1355	1300	1215	1130	1050	960
		Med-High	—	1295	1255	1190	1115	1045	975	890
		Med-Low	1170	1150	1115	1060	1005	950	880	800
		Low	1020	1010	980	945	895	850	785	715
024070	1/5 PSC	High	—	—	1010	975	930	885	825	745
		Med-High	—	815	800	765	725	685	620	550
		Med-Low	—	660	645	620	590	545	480	415
036070	1/3 PSC	High	—	1490	1425	1365	1300	1240	1175	1100
		Med-High	—	1345	1300	1255	1200	1140	1075	1000
		Med-Low	1200	1180	1140	1100	1060	1015	960	895
		Low	1020	1000	985	950	915	880	835	780
036095	1/3 PSC	High	—	1575	1515	1455	1395	1325	1230	1120
		Med-High	—	1380	1340	1285	1230	1165	1095	1005
		Med-Low	1165	1145	1130	1090	1055	1005	940	870
		Low	965	955	940	910	885	840	785	705
048095	1/2 PSC	High	1855	1765	1710	1665	1580	1570	1410	1310
		Med-High	1595	1570	1530	1485	1410	1355	1280	1200
		Med-Low	1355	1345	1305	1270	1220	1170	1110	1025
		Low	1170	1170	1140	1110	1075	1025	965	890
048115	1/2 PSC	High	1930	1850	1770	1685	1595	1505	1405	1305
		Med-High	1685	1630	1580	1525	1445	1370	1285	1195
		Med-Low	1425	1400	1370	1325	1280	1225	1155	1070
		Low	1250	1240	1210	1170	1150	1095	1035	950
060115	3/4 PSC	High	2235	2185	2110	2030	1950	1835	1700	1540
		Med-High	1995	1970	1915	1845	1765	1680	1545	1415
		Med-Low	1735	1735	1675	1625	1565	1480	1370	1265
		Low	1510	1500	1485	1455	1400	1320	1230	1130
060135	3/4 PSC	High	—	2250	2190	2130	2055	1960	1875	1760
		Med-High	—	2000	1960	1910	1850	1785	1710	1615
		Med-Low	1700	1690	1670	1650	1610	1560	1490	1435
		Low	1480	1480	1480	1460	1430	1380	1320	1255

—Indicates unstable operating conditions.

MINIMUM CLEARANCES FROM COMBUSTIBLE MATERIALS (IN.)

UNIT SIZE	050 AND 070	095-135
DOWNFLOW (In Alcove or Closet)		
Sides—Single-Wall Vent	1	0
Type B-1 Double-Wall Vent	0	0
Back	0	0
Top	1	1
Front—Single-Wall Vent	6†	6†
Type B-1 Double-Wall Vent	3†	3†
Vent—Single-Wall Vent	6	6
Type B-1 Double-Wall Vent	1	1

UNIT SIZE	050 AND 070	095-135
HORIZONTAL (In Attic, Alcove, or Crawl Space)		
Sides*	1	0
Back	0	0
Top—Single-Wall Vent	1	1
Type B-1 Double-Wall Vent	1	1
Front‡—Single-Wall Vent	6†	6†
Type B-1 Double-Wall Vent	3†	3†
Vent—Single-Wall Vent	6	6
Type B-1 Double-Wall Vent	1	1
HORIZONTAL (In Closet)		
Sides*	1	1
Back	3	3
Top—Single-Wall Vent	2	2
Type B-1 Double-Wall Vent	2	2
Front—Single-Wall Vent	6	6
Type B-1 Double-Wall Vent	3	3
Vent—Single-Wall Vent	6	6
Type B-1 Double-Wall Vent	1	1

NOTES:

1. Provide 30-in. front clearance for servicing. An open door in front of the furnace can meet this requirement.
2. A minimum clearance of 3 in. must be provided in front of the furnace for combustion air and proper operation.

- * Indicates supply or return sides when furnace is in the horizontal position.
 † Clearance shown is for outlet end. The inlet end must maintain 6-in. minimum clearance from the vent to combustible materials when using single-wall vent.
 ‡ Minimum 18-in. front clearance required for alcove.



SPECIFICATIONS SUBJECT TO CHANGE WITHOUT NOTICE

UNIT MUST BE INSTALLED IN ACCORDANCE WITH INSTALLATION INSTRUCTIONS