



Mini Twin Temp
**REACH-IN
UNIT COOLER**



The MTW reach-in unit cooler is designed for use in hard to fit places. It's extremely low height allows for installation in areas with limited available space.

The MTW is well suited for under-counter refrigerators, reach-in back bars and other similar enclosures. Our specially formulated protective coil coating is optionally available for all MTW unit coolers.

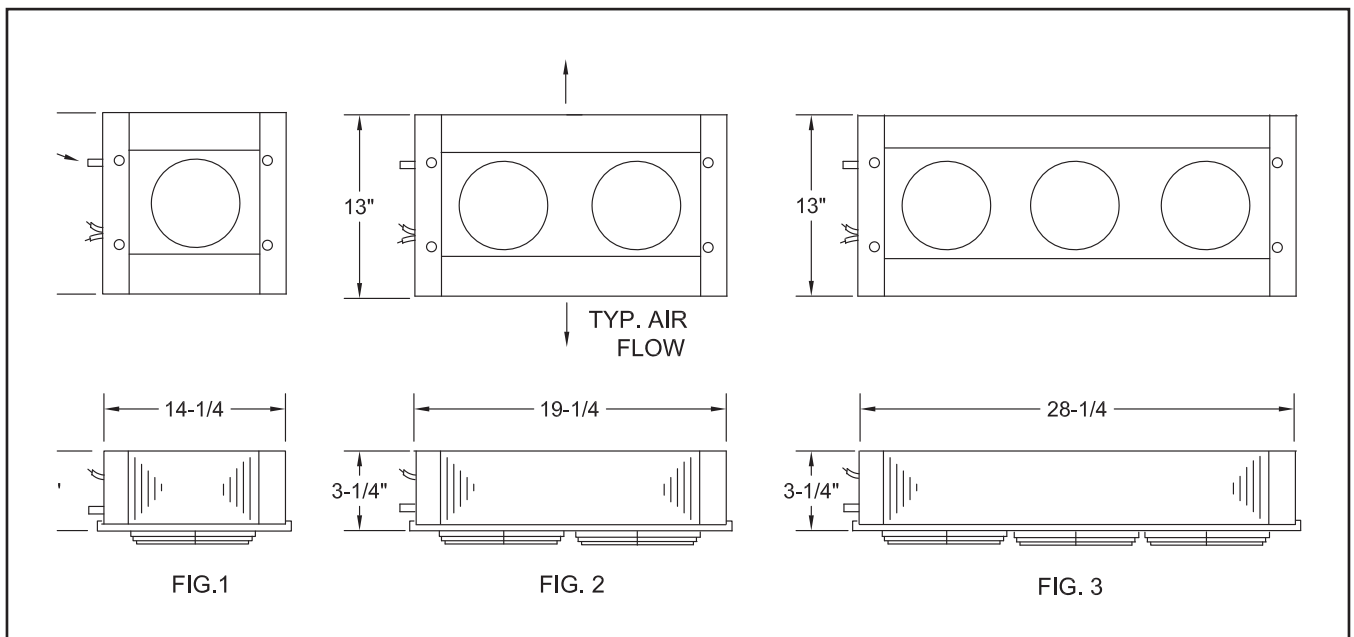


REACH-IN UNIT COOLER

Physical Data

| MODEL NUMBER | CAPACITY (Btu/hr) | | | CFM | MOTOR | | | CONNECTIONS (in.) | | | FIG. | APPRX SHIP WT. (LBS) |
|--------------|-------------------|---------|---------|-----|-------|-----------|------------|-------------------|---------|--------|------|----------------------|
| | 10°F TD | 15°F TD | 20°F TD | | QTY | AMPS 115V | AMPS 230/1 | LIQUID | SUCTION | DRAIN | | |
| MTW18-8 | 800 | 1200 | 1600 | 200 | 1 | .73 | .37 | 1/2 F.N. | 3/8 OD | 1/2 OD | 1 | 14 |
| MTW28-13 | 1300 | 1950 | 2600 | 400 | 2 | 1.5 | .75 | 1/2 F.N. | 3/8 OD | 1/2 OD | 2 | 15 |
| MTW28-18 | 1800 | 2700 | 3600 | 380 | 2 | 1.5 | .75 | 1/2 F.N. | 3/8 OD | 1/2 OD | 2 | 18 |
| MTW38-27 | 2700 | 4050 | 5400 | 570 | 3 | 2.2 | 1.1 | 1/2 F.N. | 3/8 OD | 1/2 OD | 3 | 23 |

* All dimensions are in inches.



Due to continuing product development, specifications are subject to change without notice.