



Twin-Temp **REACH-IN UNIT COOLER**



The Twin-Temp 2-way Unit Cooler is ideal for reach-in and walk-in applications above 34°F where efficient two-way air discharge is required.

These units are designed for easy installation, low maintenance and long life, especially when our uniquely formulated epoxy coating is applied to the coil.



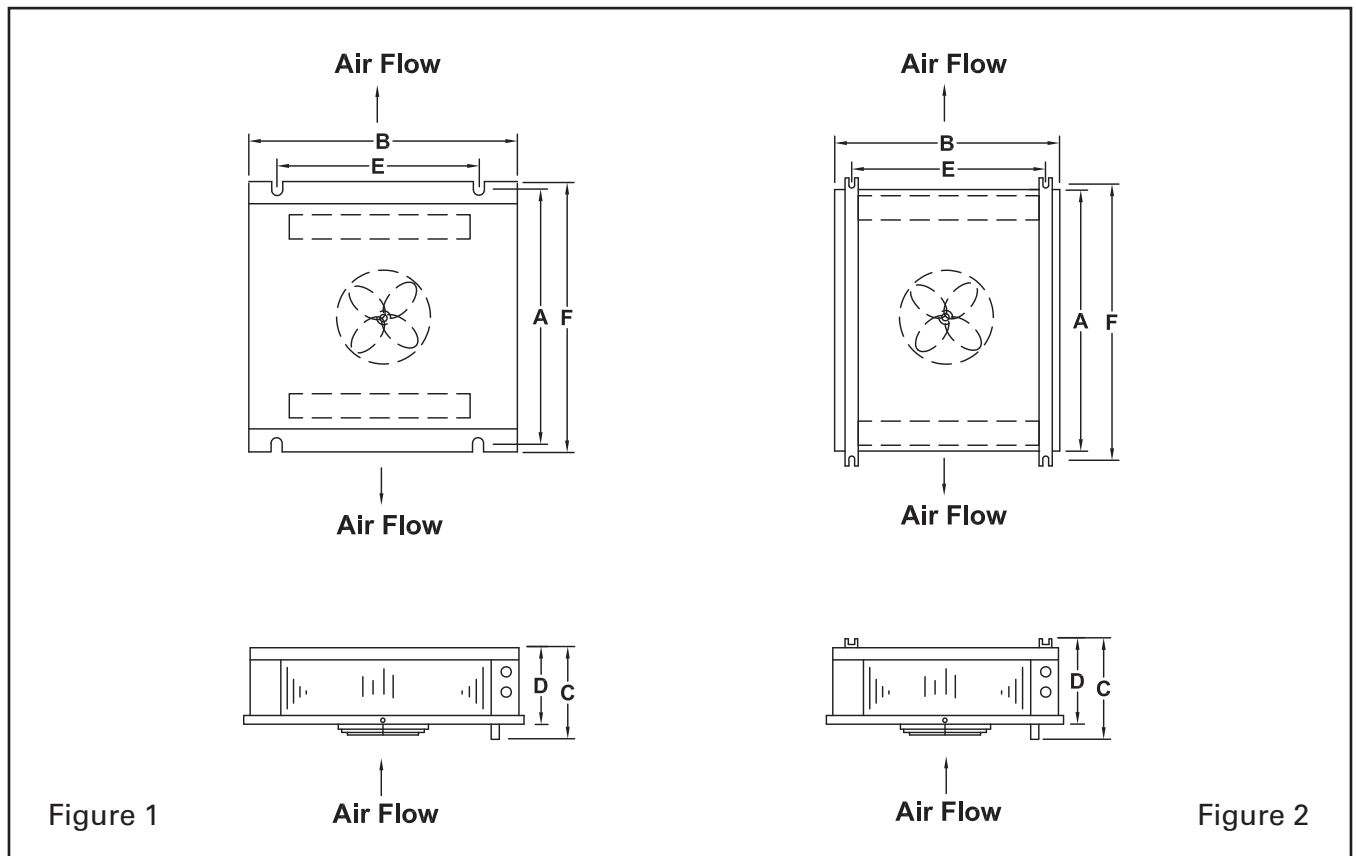
REACH-IN UNIT COOLER

Specifications

| MODEL NUMBER | FIG. | CAPACITY (BTU/HR) | | FAN DATA | | MOTOR DATA | | DIMENSIONS (In) | | | | | | CONNECTION SIZE (In) | | | SHIP WT. (lbs) |
|--------------|------|-------------------|--------|----------|------------|------------|-------------|-----------------|--------|--------|-------|--------|--------|----------------------|--------|---------|----------------|
| | | 10°TD | 15°TD | CFM | DIAM. (In) | HP | AMPS @ 115V | A | B | C | D | E | F | SUCTION | INLET | DRAIN | |
| TW 17-9 | 1 | 900 | 1,350 | 150 | 8 | 9 W | .6 | 18-1/2 | 16-1/2 | 7-5/8 | 5-7/8 | 12-1/2 | 19 | 1/2 MF | 1/2 FN | 1/2 OD | 17 |
| TW 17-12 | 1 | 1,200 | 1,800 | 190 | 88 | 9 W | .6 | 18-1/2 | 16-1/2 | 7-5/8 | 5-7/8 | 12-1/2 | 19 | 1/2 MF | 1/2 FN | 1/2 OD | 19 |
| TW 17-18 | 1 | 1,800 | 2,700 | 260 | 10 | 9 W | .6 | 18-1/2 | 16-1/2 | 9-1/8 | 7-3/8 | 12-1/2 | 19 | 1/2 MF | 1/2 FN | 1/2 OD | 23 |
| TW 17-25 | 1 | 2,500 | 3,750 | 350 | 10 | 9 W | .6 | 20-1/2 | 18-1/2 | 9-5/8 | 7-3/8 | 15 | 21 | 1/2 MF | 1/2 FN | 1/2 OD | 26 |
| TW 17-35 | 1 | 3,500 | 5,250 | 440 | 12 | 9 W | .6 | 20-1/2 | 18-1/2 | 11-1/4 | 9 | 15 | 21 | 1/2 MF | 1/2 FN | 1/2 OD | 28 |
| TW 17-45 | 1 | 4,500 | 6,750 | 530 | 12 | 1/20 | 1.7 | 30-1/2 | 21-1/4 | 10 | 7-3/4 | 17 | 32 | 5/8 OD | 1/2 OD | 1/2 FPT | 44 |
| TW 17-55 | 1 | 5,500 | 8,250 | 650 | 12 | 1/20 | 1.7 | 30-1/2 | 21-1/4 | 12 | 9-3/4 | 17 | 32 | 5/8 OD | 1/2 OD | 1/2 FPT | 50 |
| TW 18-65 | 1 | 6,500 | 9,750 | 820 | 12 | 1/20 | 1.7 | 30-1/2 | 21-1/4 | 12 | 9-3/4 | 17 | 32 | 5/8 OD | 1/2 OD | 1/2 FPT | 55 |
| TW 17-75 | 2 | 7,500 | 11,250 | 960 | 16 | 1/12 | 3.5 | 35-1/4 | 36-1/4 | 11 | 7-3/4 | 31 | 36-1/2 | 5/8 OD | 1/2 OD | 1/2 FPT | 109 |
| TW 18-85 | 2 | 8,500 | 12,750 | 1100 | 16 | 1/12 | 3.5 | 35-1/4 | 36-1/4 | 11 | 7-3/4 | 31 | 36-1/2 | 5/8 OD | 1/2 OD | 1/2 FPT | 115 |
| TW 17-105 | 2 | 10,500 | 15,750 | 1350 | 16 | 1/12 | 3.5 | 35-1/4 | 36-1/4 | 13 | 9-3/4 | 31 | 36-1/2 | 7/8 OD | 5/8 OD | 1/2 FPT | 121 |
| TW 18-120 | 2 | 12,000 | 18,000 | 1540 | 16 | 1/12 | 3.5 | 35-1/4 | 36-1/4 | 13 | 9-3/4 | 31 | 36-1/2 | 7/8 OD | 5/8 OD | 1/2 FPT | 128 |

* All dimensions are in inches.

- (1) Externally equilized expansion valves must be used on models TW 17-105 and TW 17-120.
- (2) 230V motor amps = 115V amps x 0.5



Due to continuing product development, specifications are subject to change without notice.