

10 SEER SELF CONTAINED PACKAGED HEAT PUMP 2 THRU 5 TON



PHK Series

- Cooling capacities from 23,600 - 55,000 BTUH.
- Heating capacities from 23,800 – 55,000 BTUH.

Description / Application

- Self contained heat pump.
- Side by side application.
- Outdoor package unit for ground or rooftop application.
- Approved for manufactured or modular homes.

Accessories (see p. 10 for details)

- Heat Kit from 5 to 20 KW with plug in connection.
- Roof curb.
- Downflow Plenum (includes filter rack).
- Manual fresh air damper (to be used with Downflow Plenum).
- Economizer (to be used with Downflow Plenum).
- Square to Round Duct Converter for Round Duct applications (Horizontal & Downflow).
- Elbow & Flashing Downflow Kit.
- Room Thermostat (HPT18-60).
- Outdoor Thermostat (OT18-60).

Cabinet Construction

- Powder paint finish with 500 hr. salt spray approval.
- Fully insulated air handling compartment.
- Convenient access panels.

Standard Features

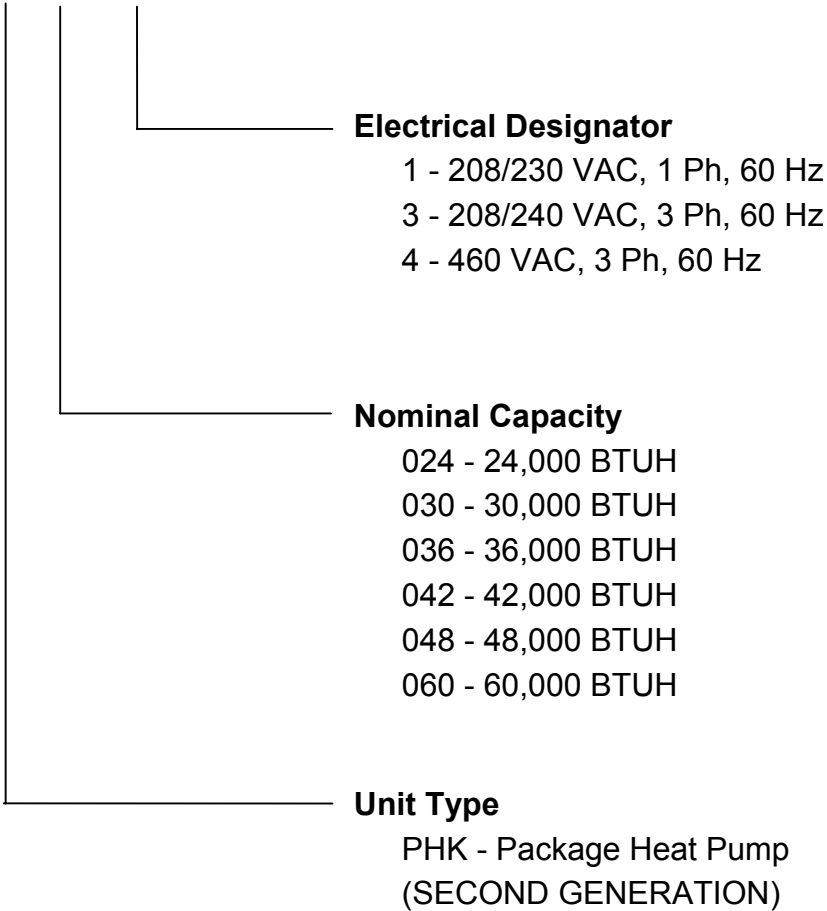
- Two speed evaporator blower motor, low speed for normal or low static application, high speed for high static application in manufactured homes.
- Quiet operating top condenser discharge.
- Copper tube - Aluminum fin coils.
- Totally enclosed, permanently lubricated condenser fan motor.
- Hermetically sealed compressor with internal relief valve.
- Fully charged R-22 system.
- Bi-flow liquid line filter drier.
- Suction line accumulator.
- Check-flowrator expansion device.
- Crankcase heater.
- High efficiency performance.
- Bottom pan rails elevate unit above slab.

Accessory Heat Kit Features

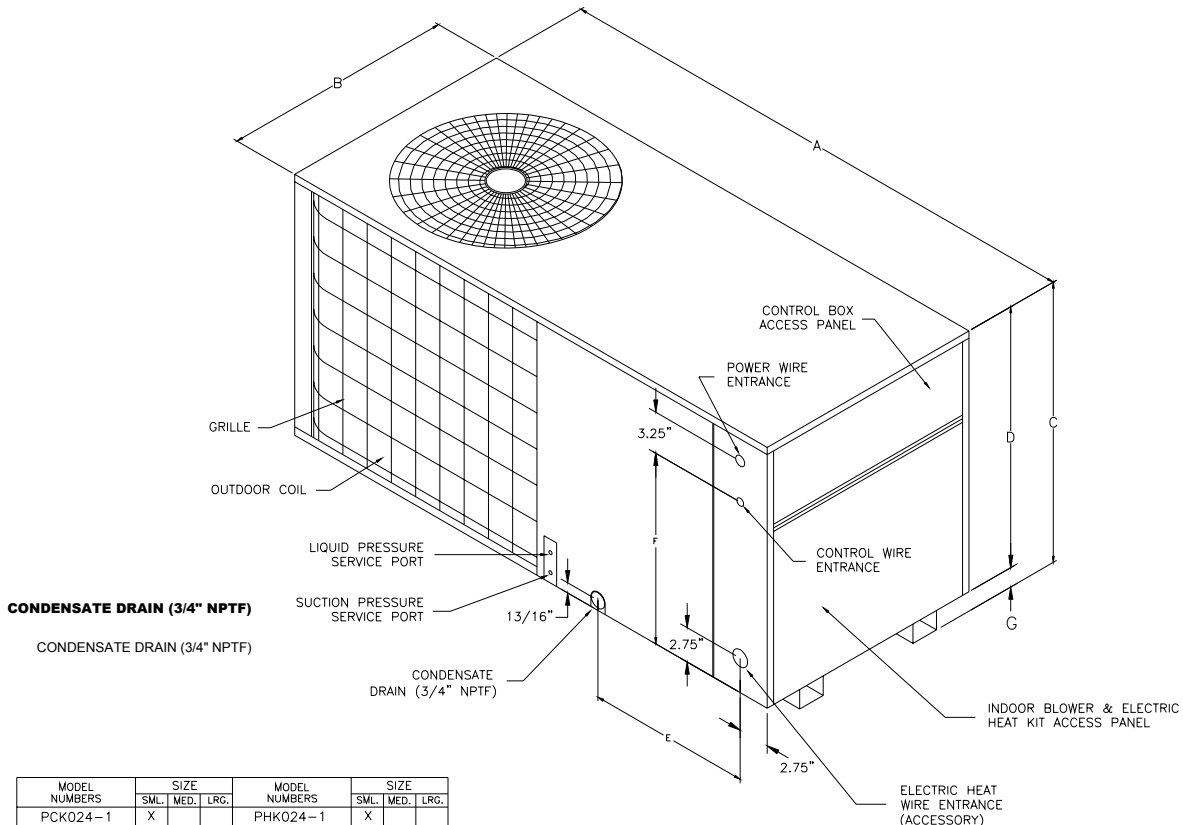
- Controlled by sequencers for better temperature control (Single Phase units only).
- Control circuitry arranged to readily permit staging (HK10, 15, 20-1 only).
- Primary and secondary limit protection.
- Rust resistant nickel chromium heating elements.
- Factory installed circuit breakers on certain models (See Electrical Data Chart).

MODEL IDENTIFICATION

PHK 024 - 1



(ALL UNITS ARE DIRECT DRIVE)

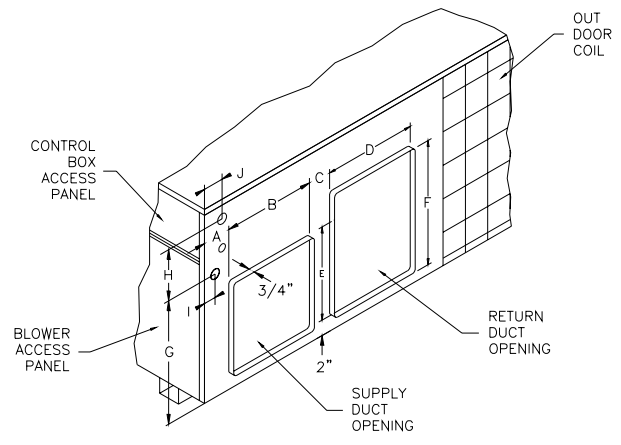
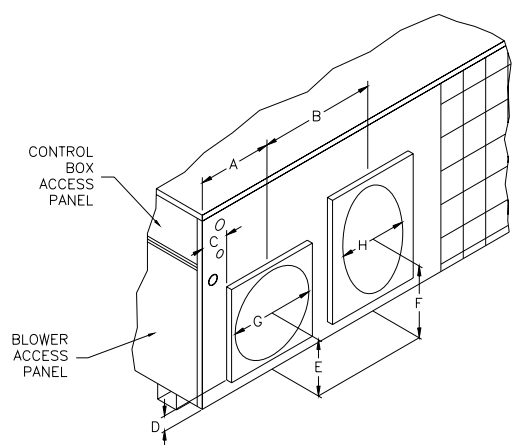


CONDENSATE DRAIN (3/4" NPTF)
CONDENSATE DRAIN (3/4" NPTF)

| MODEL NUMBERS | SIZE | | | MODEL NUMBERS | SIZE | | |
|---------------|------|------|------|---------------|------|------|------|
| | SML. | MED. | LRG. | | SML. | MED. | LRG. |
| PCK024-1 | X | | | PHK024-1 | X | | |
| PCK030-1 | X | | | PHK030-1 | X | | |
| PCK036-1 | X | | | PHK036-1 | | | X |
| PCK036-3 | X | | | PHK036-5 | | | X |
| PCK042-1 | | X | | PHK042-1 | | | X |
| PCK048-1 | | X | | PHK048-1 | | | X |
| PCK048-3 | | X | | PHK048-3 | | | X |
| PCK048-5 | | | X | PHK048-5 | | | X |
| PCK060-1 | | | X | PHK060-1 | | | X |
| PCK060-3 | | | X | PHK060-3 | | | X |
| PCK060-4 | | | X | PHK060-5 | | | X |
| PCK060-5 | | | X | | | | |
| PCKJ024-1 | X | | | | | | |
| PCKJ030-1 | X | | | PHKJ024-1 | | | X |
| PCKJ036-1 | | X | | PHKJ030-1 | | | X |
| PCKJ042-1 | | X | | PHKJ036-1 | | | X |
| PCKJ048-1 | | | X | PHKJ048-1 | | | X |
| PCKJ060-1 | | | X | PHKJ060-1 | | | X |

| MODEL SIZE | A | B | C | D | E | F | G |
|------------|-------|-------|-------|-------|-------|-------|------|
| LARGE | 63.15 | 32.15 | 34.62 | 32.50 | 19.56 | 27.06 | 2.12 |
| MEDIUM | 63.15 | 32.15 | 29.62 | 27.50 | 19.56 | 22.06 | 2.12 |
| SMALL | 56.35 | 24.14 | 27.12 | 25.00 | 16.68 | 19.56 | 2.12 |

UNIT WITH CIRCULAR DUCT PANEL ADDED



| MODEL SIZE | A | B | C | D | E | F | G | H* |
|------------|-------|-------|------|------|------|-------|-------|-------|
| LARGE | 10.75 | 20.25 | 3.75 | 2.00 | 9.00 | 14.00 | 14.00 | 18.00 |
| MEDIUM | 10.75 | 20.25 | 3.75 | 2.00 | 9.00 | 13.00 | 14.00 | 16.00 |
| SMALL | 9.62 | 16.24 | 3.62 | 2.00 | 8.00 | 12.00 | 12.00 | 14.00 |

| MODEL SIZE | A | B | C | D | E | F | G | H | I | J |
|------------|------|----|------|----|----|----|-------|-------|------|------|
| LARGE | 3.75 | 14 | 6.25 | 14 | 14 | 24 | 18.68 | 11.62 | 2.25 | 2.75 |
| MEDIUM | 3.75 | 14 | 6.25 | 14 | 14 | 22 | 18.68 | 6.62 | 2.25 | 2.75 |
| SMALL | 3.62 | 12 | 4.25 | 12 | 12 | 20 | 16.18 | 6.62 | 2.59 | 2.59 |

H* RETURN OPENING IS EQUIVALENT TO ROUND DUCT STATED

PH - DATA AND SPECIFICATIONS

| MODELS | PHK024-1 | PHK030-1 | PHK036-1 | PHK036-3 | PHK042-1 | PHK048-1 | PHK048-3 | PHK060-1 | PHK060-3 |
|--------------------------|----------|----------|----------|----------|----------|----------|----------|----------|----------|
| Total Cooling-BTUH | 23600 | 28800 | 35000 | 35000 | 40500 | 47000 | 47000 | 55000 | 55000 |
| Sens. Cooling-BTUH | 17200 | 21600 | 26300 | 26300 | 30400 | 35200 | 35200 | 42400 | 42400 |
| SEER (1) | 10.0 | 10.0 | 10.0 | 10.0 | 10.0 | 10.0 | 10.0 | 10.0 | 10.0 |
| EER (2) | 9.0 | 9.0 | 9.0 | 9.0 | 9.0 | 9.0 | 9.0 | 9.0 | 9.0 |
| Heating BTUH | 23800 | 27400 | 33400 | 33400 | 39000 | 44400 | 44400 | 55000 | 55000 |
| C.O.P (47°F) | 2.80 | 3.00 | 3.00 | 3.00 | 3.20 | 3.10 | 3.10 | 3.50 | 3.50 |
| Heating-BTUH (17°F) | 12000 | 14000 | 20000 | 20000 | 21000 | 24000 | 24000 | 32000 | 32000 |
| C.O.P. (17°F) | 1.90 | 1.80 | 2.00 | 2.00 | 2.00 | 1.90 | 1.90 | 2.10 | 2.10 |
| H.S.P.F. | 6.80 | 6.80 | 7.00 | 7.00 | 7.50 | 6.80 | 6.80 | 7.50 | 7.50 |
| Sound Rating(bels) | 8.00 | 8.00 | 8.40 | 8.40 | 8.40 | 8.40 | 8.40 | 8.40 | 8.40 |
| Indoor Blower | | | | | | | | | |
| Type | DD | DD | DD | DD | DD | DD | DD | DD | DD |
| Size - D x W | 9 X 6 | 9 X 6 | 9 X 6 | 9 X 8 | 9 X 8 | 9 X 8 | 9 X 8 | 10 x 8 | 10 x 8 |
| Motor H.P. | 1/5 | 1/3 | 1/3 | 1/3 | 1/2 | 1/2 | 1/2 | 3/4 | 3/4 |
| Evaporator Coil | | | | | | | | | |
| Face Area (ft2) | 3.33 | 3.33 | 5.25 | 5.25 | 6.22 | 6.22 | 6.22 | 6.22 | 6.22 |
| Fin/In. | 14 | 14 | 14 | 14 | 14 | 14 | 14 | 14 | 14 |
| No. of Rows | 2 | 2 | 2 | 2 | 2 | 4 | 4 | 4 | 4 |
| Outdoor Fan | | | | | | | | | |
| Fan Dia. (In.) | 18 | 18 | 22 | 22 | 22 | 22 | 22 | 22 | 22 |
| Motor H.P. | 1/6 | 1/6 | 1/4 | 1/4 | 1/4 | 1/4 | 1/4 | 1/3 | 1/3 |
| Condenser Coil | | | | | | | | | |
| Face Area (ft2) | 12.1 | 12.1 | 14.7 | 14.7 | 16.2 | 16.2 | 16.2 | 16.2 | 16.2 |
| Fin/In. | 19 | 19 | 19 | 19 | 19 | 19 | 19 | 19 | 19 |
| No. of Rows | 1 | 1 | 1 | 1 | 1 | 1 | 1 | 1 | 1 |
| Electrical | | | | | | | | | |
| Ph | 1 | 1 | 1 | 3 | 1 | 1 | 3 | 1 | 3 |
| Volts | 208/230 | 208/230 | 208/230 | 208/230 | 208/230 | 208/230 | 208/230 | 208/230 | 208/230 |
| Compr. RLA | 12.9 | 14.8 | 17.3 | 10.3 | 19.3 | 20.0 | 12.8 | 25.0 | 18.0 |
| Compr. LRA | 66.0 | 81.0 | 89.0 | 78.0 | 97.0 | 110.0 | 78.0 | 163.0 | 129.0 |
| Indoor Blw FLA | 1.7 | 2.6 | 2.6 | 2.6 | 3.6 | 3.6 | 3.6 | 5.1 | 5.1 |
| Outdoor Blw FLA | 1.0 | 1.0 | 1.6 | 1.6 | 1.6 | 2.5 | 2.5 | 2.5 | 2.5 |
| Min. Circuit Amp. | 18.9 | 22.1 | 25.3 | 17.1 | 29.3 | 31.1 | 22.1 | 38.9 | 30.1 |
| M.O.P. (3) | 30 | 30 | 40 | 20 | 40 | 50 | 30 | 60 | 40 |
| Net Weight | 255 | 260 | 340 | 340 | 355 | 385 | 385 | 390 | 390 |
| Shipping Weight | 270 | 275 | 365 | 365 | 380 | 410 | 410 | 415 | 415 |
| Capacities @ 95°F | | | | | | | | | |
| Outside air, 75°F | | | | | | | | | |
| Dry bulb @ 63°F | | | | | | | | | |
| Wet bulb inside | | | | | | | | | |
| Total MBTU | 21.7 | 27.2 | 32.5 | 32.5 | 38.2 | 43.4 | 43.4 | 50.5 | 50.0 |
| Sensible MBTU | 15.6 | 20.2 | 23.3 | 23.3 | 29.1 | 30.0 | 30.0 | 36.3 | 36.3 |

(1) Certified per ARI 240

(2) BTU/Watt @ 80 / 67 °F inside - 95 °F outside air

(3) M.O.P. (Maximum Overcurrent Protection)

Note - May use fuses or HACR type Circuit Breakers of the same size as noted.

BEFORE PURCHASING THIS APPLIANCE, READ IMPORTANT ENERGY COST AND EFFICIENCY INFORMATION AVAILABLE FROM YOUR RETAILER.

EXPANDED RATINGS (COOLING)

OUTDOOR UNIT PHK024-1

| INDOOR | | CONDENSER AIR TEMPERATURE | | | | | | | | | | | | | | |
|--------|----|---------------------------|---------------|--------------|----------------|---------------|--------------|----------------|---------------|--------------|----------------|---------------|--------------|----------------|---------------|--------------|
| AIR | | 75F | | | 85F | | | 95F | | | 105F | | | 115F | | |
| SCFM | WB | TOTAL MBTUH | SENS MBTUH | WATTS KWH | TOTAL MBTUH | SENS MBTUH | WATTS KWH | TOTAL MBTUH | SENS MBTUH | WATTS KWH | TOTAL MBTUH | SENS MBTUH | WATTS KWH | TOTAL MBTUH | SENS MBTUH | WATTS KWH |
| 669 | 72 | 27.4 | 12.9 | 2.46 | 26.2 | 12.4 | 2.60 | 24.8 | 11.9 | 2.70 | 23.4 | 11.4 | 2.83 | 21.9 | 10.8 | 2.96 |
| | 67 | 25.0 | 16.0 | 2.31 | 23.8 | 15.5 | 2.41 | 22.7 | 15.0 | 2.54 | 21.2 | 14.4 | 2.67 | 19.8 | 14.4 | 2.81 |
| | 62 | 23.1 | 18.9 | 2.15 | 21.9 | 18.4 | 2.28 | 21.4 | 17.9 | 2.41 | 20.8 | 17.4 | 2.54 | 19.6 | 16.7 | 2.65 |
| | 57 | 22.2 | 20.5 | 2.10 | 21.2 | 19.6 | 2.23 | 20.3 | 18.7 | 2.36 | 19.1 | 17.7 | 2.52 | 18.2 | 16.7 | 2.62 |
| 787 | 72 | 28.6 | 14.3 | 2.54 | 27.1 | 13.8 | 2.65 | 25.7 | 13.2 | 2.78 | 24.3 | 12.9 | 2.91 | 22.7 | 12.2 | 3.04 |
| | 67 | 26.2 | 18.2 | 2.39 | 25.0 | 17.7 | 2.49 | 23.6 | 17.2 | 2.62 | 22.2 | 16.7 | 2.75 | 20.8 | 16.2 | 2.88 |
| | 62 | 24.3 | 21.8 | 2.26 | 23.1 | 21.2 | 2.36 | 21.9 | 20.3 | 2.49 | 21.0 | 19.3 | 2.62 | 19.8 | 18.2 | 2.78 |
| | 57 | 24.1 | 22.2 | 2.23 | 22.9 | 21.3 | 2.36 | 21.9 | 20.3 | 2.49 | 21.0 | 19.3 | 2.62 | 19.8 | 18.2 | 2.78 |
| 905 | 72 | 29.3 | 15.5 | 2.60 | 27.8 | 15.0 | 2.70 | 26.4 | 14.4 | 2.83 | 24.8 | 13.9 | 2.96 | 23.4 | 13.6 | 3.09 |
| | 67 | 27.1 | 20.1 | 2.44 | 25.7 | 19.8 | 2.54 | 24.3 | 19.3 | 2.67 | 22.9 | 18.6 | 2.81 | 21.5 | 18.1 | 2.94 |
| | 62 | 25.5 | 23.6 | 2.33 | 24.5 | 22.5 | 2.46 | 23.1 | 21.5 | 2.60 | 22.2 | 20.5 | 2.73 | 20.8 | 19.3 | 2.88 |
| | 57 | 25.5 | 23.6 | 2.33 | 24.5 | 22.5 | 2.46 | 23.1 | 21.5 | 2.60 | 22.2 | 20.5 | 2.73 | 20.8 | 19.3 | 2.88 |

Sensible heat capacities shown are based on 80F DB entering air at the evaporator coil.

For sensible heat capacities at other than 80F DB, deduct 84 BTUH per 100 CFM of evaporator coil air for each degree below 80F,

or add 84 BTUH per 100 CFM of evaporator coil air per degree above 80F.

CAPACITIES AT 95F OUTDOOR., 75F DB AND 63F WB INDOOR

TOTAL MBTUH 22.3 SENSIBLE MBTUH 16.4 LATENT MBTUH 5.9

OUTDOOR UNIT PHK030-1

| INDOOR | | CONDENSER AIR TEMPERATURE | | | | | | | | | | | | | | |
|--------|----|---------------------------|---------------|--------------|----------------|---------------|--------------|----------------|---------------|--------------|----------------|---------------|--------------|----------------|---------------|--------------|
| AIR | | 75F | | | 85F | | | 95F | | | 105F | | | 115F | | |
| SCFM | WB | TOTAL MBTUH | SENS MBTUH | WATTS KWH | TOTAL MBTUH | SENS MBTUH | WATTS KWH | TOTAL MBTUH | SENS MBTUH | WATTS KWH | TOTAL MBTUH | SENS MBTUH | WATTS KWH | TOTAL MBTUH | SENS MBTUH | WATTS KWH |
| 816 | 72 | 33.4 | 16.2 | 3.01 | 32.0 | 15.6 | 3.17 | 30.2 | 14.9 | 3.30 | 28.5 | 14.3 | 3.46 | 26.8 | 13.6 | 3.62 |
| | 67 | 30.5 | 20.1 | 2.82 | 29.1 | 19.4 | 2.94 | 27.6 | 18.8 | 3.10 | 25.9 | 18.1 | 3.26 | 24.2 | 18.1 | 3.42 |
| | 62 | 28.2 | 23.8 | 2.62 | 26.8 | 23.1 | 2.78 | 26.1 | 22.5 | 2.94 | 25.3 | 21.8 | 3.10 | 23.9 | 21.0 | 3.23 |
| | 57 | 27.1 | 25.7 | 2.56 | 25.9 | 24.6 | 2.72 | 24.8 | 23.5 | 2.88 | 23.3 | 22.2 | 3.07 | 22.2 | 21.0 | 3.20 |
| 960 | 72 | 34.8 | 17.9 | 3.10 | 33.1 | 17.3 | 3.23 | 31.4 | 16.6 | 3.39 | 29.7 | 16.2 | 3.55 | 27.6 | 15.3 | 3.71 |
| | 67 | 32.0 | 22.9 | 2.91 | 30.5 | 22.2 | 3.04 | 28.8 | 21.6 | 3.20 | 27.1 | 21.0 | 3.36 | 25.3 | 20.3 | 3.52 |
| | 62 | 29.7 | 27.4 | 2.75 | 28.2 | 26.6 | 2.88 | 26.8 | 25.5 | 3.04 | 25.6 | 24.2 | 3.20 | 24.2 | 22.9 | 3.39 |
| | 57 | 29.4 | 27.9 | 2.72 | 27.9 | 26.8 | 2.88 | 26.8 | 25.5 | 3.04 | 25.6 | 24.2 | 3.20 | 24.2 | 22.9 | 3.39 |
| 1104 | 72 | 35.7 | 19.4 | 3.17 | 34.0 | 18.8 | 3.30 | 32.3 | 18.1 | 3.46 | 30.2 | 17.5 | 3.62 | 28.5 | 17.1 | 3.78 |
| | 67 | 33.1 | 25.3 | 2.98 | 31.4 | 24.8 | 3.10 | 29.7 | 24.2 | 3.26 | 27.9 | 23.3 | 3.42 | 26.2 | 22.7 | 3.58 |
| | 62 | 31.1 | 29.6 | 2.85 | 30.0 | 28.3 | 3.01 | 28.2 | 27.0 | 3.17 | 27.1 | 25.7 | 3.33 | 25.3 | 24.2 | 3.52 |
| | 57 | 31.1 | 29.6 | 2.85 | 30.0 | 28.3 | 3.01 | 28.2 | 27.0 | 3.17 | 27.1 | 25.7 | 3.33 | 25.3 | 24.2 | 3.52 |

Sensible heat capacities shown are based on 80F DB entering air at the evaporator coil.

For sensible heat capacities at other than 80F DB, deduct 84 BTUH per 100 CFM of evaporator coil air for each degree below 80F,

or add 84 BTUH per 100 CFM of evaporator coil air per degree above 80F.

CAPACITIES AT 95F OUTDOOR., 75F DB AND 63F WB INDOOR

TOTAL MBTUH 27.2 SENSIBLE MBTUH 20.7 LATENT MBTUH 6.5

EXPANDED RATINGS (COOLING)

OUTDOOR UNIT PHK036-1 & 3

| INDOOR | | CONDENSER AIR TEMPERATURE | | | | | | | | | | | | | | |
|--------|----|---------------------------|-------|-------|-------|-------|-------|-------|-------|-------|-------|-------|-------|-------|-------|-------|
| AIR | | 75F | | | 85F | | | 95F | | | 105F | | | 115F | | |
| SCFM | WB | TOTAL | SENS | WATTS | TOTAL | SENS | WATTS | TOTAL | SENS | WATTS | TOTAL | SENS | WATTS | TOTAL | SENS | WATTS |
| | | MBTUH | MBTUH | KWH | MBTUH | MBTUH | KWH | MBTUH | MBTUH | KWH | MBTUH | MBTUH | KWH | MBTUH | MBTUH | KWH |
| 992 | 72 | 40.6 | 19.7 | 3.66 | 38.9 | 18.9 | 3.85 | 36.8 | 18.1 | 4.01 | 34.7 | 17.4 | 4.20 | 32.6 | 16.6 | 4.39 |
| | 67 | 37.1 | 24.5 | 3.42 | 35.4 | 23.7 | 3.58 | 33.6 | 22.9 | 3.77 | 31.5 | 22.1 | 3.97 | 29.4 | 22.1 | 4.16 |
| | 62 | 34.3 | 28.9 | 3.19 | 32.6 | 28.1 | 3.38 | 31.7 | 27.4 | 3.58 | 30.8 | 26.6 | 3.77 | 29.1 | 25.5 | 3.93 |
| | 57 | 32.9 | 31.3 | 3.11 | 31.5 | 30.0 | 3.31 | 30.1 | 28.7 | 3.50 | 28.4 | 27.1 | 3.73 | 27.0 | 25.5 | 3.89 |
| 1167 | 72 | 42.4 | 21.8 | 3.77 | 40.3 | 21.0 | 3.93 | 38.2 | 20.3 | 4.12 | 36.1 | 19.7 | 4.32 | 33.6 | 18.7 | 4.51 |
| | 67 | 38.9 | 27.9 | 3.54 | 37.1 | 27.1 | 3.69 | 35.0 | 26.3 | 3.89 | 32.9 | 25.5 | 4.08 | 30.8 | 24.7 | 4.28 |
| | 62 | 36.1 | 33.4 | 3.34 | 34.3 | 32.3 | 3.50 | 32.6 | 31.0 | 3.69 | 31.2 | 29.5 | 3.89 | 29.4 | 27.9 | 4.12 |
| | 57 | 35.7 | 33.9 | 3.31 | 34.0 | 32.6 | 3.50 | 32.6 | 31.0 | 3.69 | 31.2 | 29.5 | 3.89 | 29.4 | 27.9 | 4.12 |
| 1342 | 72 | 43.4 | 23.7 | 3.85 | 41.3 | 22.9 | 4.01 | 39.2 | 22.1 | 4.20 | 36.8 | 21.3 | 4.39 | 34.7 | 20.8 | 4.59 |
| | 67 | 40.3 | 30.8 | 3.62 | 38.2 | 30.2 | 3.77 | 36.1 | 29.5 | 3.97 | 34.0 | 28.4 | 4.16 | 31.9 | 27.6 | 4.36 |
| | 62 | 37.8 | 36.0 | 3.46 | 36.4 | 34.5 | 3.66 | 34.3 | 32.9 | 3.85 | 32.9 | 31.3 | 4.04 | 30.8 | 29.5 | 4.28 |
| | 57 | 37.8 | 36.0 | 3.46 | 36.4 | 34.5 | 3.66 | 34.3 | 32.9 | 3.85 | 32.9 | 31.3 | 4.04 | 30.8 | 29.5 | 4.28 |

Sensible heat capacities shown are based on 80F DB entering air at the evaporator coil.

For sensible heat capacities at other than 80F DB, deduct 84 BTUH per 100 CFM of evaporator coil air for each degree below 80F,

or add 84 BTUH per 100 CFM of evaporator coil air per degree above 80F.

CAPACITIES AT 95F OUTDOOR., 75F DB AND 63F WB INDOOR

TOTAL MBTUH 33.0 SENSIBLE MBTUH 25.2 LATENT MBTUH 7.9

OUTDOOR UNIT PHK042-1

| INDOOR | | CONDENSER AIR TEMPERATURE | | | | | | | | | | | | | | |
|--------|----|---------------------------|-------|-------|-------|-------|-------|-------|-------|-------|-------|-------|-------|-------|-------|-------|
| AIR | | 75F | | | 85F | | | 95F | | | 105F | | | 115F | | |
| SCFM | WB | TOTAL | SENS | WATTS | TOTAL | SENS | WATTS | TOTAL | SENS | WATTS | TOTAL | SENS | WATTS | TOTAL | SENS | WATTS |
| | | MBTUH | MBTUH | KWH | MBTUH | MBTUH | KWH | MBTUH | MBTUH | KWH | MBTUH | MBTUH | KWH | MBTUH | MBTUH | KWH |
| 1148 | 72 | 47.0 | 22.8 | 4.23 | 45.0 | 21.9 | 4.46 | 42.5 | 21.0 | 4.64 | 40.1 | 20.1 | 4.86 | 37.7 | 19.2 | 5.09 |
| | 67 | 42.9 | 28.3 | 3.96 | 40.9 | 27.4 | 4.14 | 38.9 | 26.4 | 4.37 | 36.5 | 25.5 | 4.59 | 34.0 | 25.5 | 4.82 |
| | 62 | 39.7 | 33.4 | 3.69 | 37.7 | 32.5 | 3.92 | 36.7 | 31.6 | 4.14 | 35.6 | 30.7 | 4.37 | 33.6 | 29.5 | 4.55 |
| | 57 | 38.1 | 36.2 | 3.60 | 36.5 | 34.7 | 3.83 | 34.8 | 33.1 | 4.05 | 32.8 | 31.3 | 4.32 | 31.2 | 29.5 | 4.50 |
| 1350 | 72 | 49.0 | 25.2 | 4.37 | 46.6 | 24.3 | 4.55 | 44.1 | 23.4 | 4.77 | 41.7 | 22.8 | 5.00 | 38.9 | 21.6 | 5.22 |
| | 67 | 45.0 | 32.2 | 4.10 | 42.9 | 31.3 | 4.28 | 40.5 | 30.4 | 4.50 | 38.1 | 29.5 | 4.73 | 35.6 | 28.6 | 4.95 |
| | 62 | 41.7 | 38.6 | 3.87 | 39.7 | 37.4 | 4.05 | 37.7 | 35.9 | 4.28 | 36.0 | 34.0 | 4.50 | 34.0 | 32.2 | 4.77 |
| | 57 | 41.3 | 39.2 | 3.83 | 39.3 | 37.7 | 4.05 | 37.7 | 35.9 | 4.28 | 36.0 | 34.0 | 4.50 | 34.0 | 32.2 | 4.77 |
| 1553 | 72 | 50.2 | 27.4 | 4.46 | 47.8 | 26.4 | 4.64 | 45.4 | 25.5 | 4.86 | 42.5 | 24.6 | 5.09 | 40.1 | 24.0 | 5.31 |
| | 67 | 46.6 | 35.6 | 4.19 | 44.1 | 35.0 | 4.37 | 41.7 | 34.0 | 4.59 | 39.3 | 32.8 | 4.82 | 36.9 | 31.9 | 5.04 |
| | 62 | 43.7 | 41.6 | 4.01 | 42.1 | 39.8 | 4.23 | 39.7 | 38.0 | 4.46 | 38.1 | 36.2 | 4.68 | 35.6 | 34.0 | 4.95 |
| | 57 | 43.7 | 41.6 | 4.01 | 42.1 | 39.8 | 4.23 | 39.7 | 38.0 | 4.46 | 38.1 | 36.2 | 4.68 | 35.6 | 34.0 | 4.95 |

Sensible heat capacities shown are based on 80F DB entering air at the evaporator coil.

For sensible heat capacities at other than 80F DB, deduct 84 BTUH per 100 CFM of evaporator coil air for each degree below 80F,

or add 84 BTUH per 100 CFM of evaporator coil air per degree above 80F.

CAPACITIES AT 95F OUTDOOR., 75F DB AND 63F WB INDOOR

TOTAL MBTUH 38.2 SENSIBLE MBTUH 29.1 LATENT MBTUH 9.1

EXPANDED RATINGS (COOLING)

OUTDOOR UNIT PHK048-1 & 3

| INDOOR | | CONDENSER AIR TEMPERATURE | | | | | | | | | | | | | | |
|--------|----|---------------------------|-------|-------|-------|-------|-------|-------|-------|-------|-------|-------|-------|-------|-------|-------|
| AIR | | 75F | | | 85F | | | 95F | | | 105F | | | 115F | | |
| SCFM | WB | TOTAL | SENS | WATTS | TOTAL | SENS | WATTS | TOTAL | SENS | WATTS | TOTAL | SENS | WATTS | TOTAL | SENS | WATTS |
| | | MBTUH | MBTUH | KWH | MBTUH | MBTUH | KWH | MBTUH | MBTUH | KWH | MBTUH | MBTUH | KWH | MBTUH | MBTUH | KWH |
| 1332 | 72 | 54.5 | 26.4 | 4.91 | 52.2 | 25.3 | 5.17 | 49.4 | 24.3 | 5.38 | 46.5 | 23.2 | 5.64 | 43.7 | 22.2 | 5.90 |
| | 67 | 49.8 | 32.7 | 4.60 | 47.5 | 31.7 | 4.80 | 45.1 | 30.6 | 5.07 | 42.3 | 29.6 | 5.33 | 39.5 | 29.6 | 5.59 |
| | 62 | 46.1 | 38.7 | 4.28 | 43.7 | 37.7 | 4.54 | 42.5 | 36.6 | 4.80 | 41.4 | 35.6 | 5.07 | 39.0 | 34.1 | 5.27 |
| | 57 | 44.2 | 41.9 | 4.18 | 42.3 | 40.1 | 4.44 | 40.4 | 38.4 | 4.70 | 38.1 | 36.3 | 5.01 | 36.2 | 34.1 | 5.22 |
| 1567 | 72 | 56.9 | 29.2 | 5.07 | 54.1 | 28.2 | 5.27 | 51.2 | 27.1 | 5.54 | 48.4 | 26.4 | 5.80 | 45.1 | 25.0 | 6.06 |
| | 67 | 52.2 | 37.3 | 4.75 | 49.8 | 36.3 | 4.96 | 47.0 | 35.2 | 5.22 | 44.2 | 34.1 | 5.48 | 41.4 | 33.1 | 5.74 |
| | 62 | 48.4 | 44.7 | 4.49 | 46.1 | 43.3 | 4.70 | 43.7 | 41.5 | 4.96 | 41.8 | 39.4 | 5.22 | 39.5 | 37.3 | 5.54 |
| | 57 | 47.9 | 45.4 | 4.44 | 45.6 | 43.6 | 4.70 | 43.7 | 41.5 | 4.96 | 41.8 | 39.4 | 5.22 | 39.5 | 37.3 | 5.54 |
| 1802 | 72 | 58.3 | 31.7 | 5.17 | 55.5 | 30.6 | 5.38 | 52.6 | 29.6 | 5.64 | 49.4 | 28.5 | 5.90 | 46.5 | 27.8 | 6.16 |
| | 67 | 54.1 | 41.2 | 4.86 | 51.2 | 40.5 | 5.07 | 48.4 | 39.4 | 5.33 | 45.6 | 38.0 | 5.59 | 42.8 | 37.0 | 5.85 |
| | 62 | 50.8 | 48.2 | 4.65 | 48.9 | 46.1 | 4.91 | 46.1 | 44.0 | 5.17 | 44.2 | 41.9 | 5.43 | 41.4 | 39.4 | 5.74 |
| | 57 | 50.8 | 48.2 | 4.65 | 48.9 | 46.1 | 4.91 | 46.1 | 44.0 | 5.17 | 44.2 | 41.9 | 5.43 | 41.4 | 39.4 | 5.74 |

Sensible heat capacities shown are based on 80F DB entering air at the evaporator coil.

For sensible heat capacities at other than 80F DB, deduct 84 BTUH per 100 CFM of evaporator coil air for each degree below 80F,

or add 84 BTUH per 100 CFM of evaporator coil air per degree above 80F.

CAPACITIES AT 95F OUTDOOR., 75F DB AND 63F WB INDOOR

TOTAL MBTU 44.4 SENSIBLE MBTUH 33.7 LATENT MBTUH 10.7

OUTDOOR UNIT PHK060-1 & 3

| INDOOR | | CONDENSER AIR TEMPERATURE | | | | | | | | | | | | | | |
|--------|----|---------------------------|-------|-------|-------|-------|-------|-------|-------|-------|-------|-------|-------|-------|-------|-------|
| AIR | | 75F | | | 85F | | | 95F | | | 105F | | | 115F | | |
| SCFM | WB | TOTAL | SENS | WATTS | TOTAL | SENS | WATTS | TOTAL | SENS | WATTS | TOTAL | SENS | WATTS | TOTAL | SENS | WATTS |
| | | MBTUH | MBTUH | KWH | MBTUH | MBTUH | KWH | MBTUH | MBTUH | KWH | MBTUH | MBTUH | KWH | MBTUH | MBTUH | KWH |
| 1558 | 72 | 63.8 | 31.8 | 5.74 | 61.1 | 30.5 | 6.05 | 57.8 | 29.3 | 6.29 | 54.5 | 28.0 | 6.60 | 51.2 | 26.7 | 6.91 |
| | 67 | 58.3 | 39.4 | 5.38 | 55.6 | 38.2 | 5.62 | 52.8 | 36.9 | 5.93 | 49.5 | 35.6 | 6.23 | 46.2 | 35.6 | 6.54 |
| | 62 | 53.9 | 46.6 | 5.01 | 51.2 | 45.4 | 5.32 | 49.8 | 44.1 | 5.62 | 48.4 | 42.8 | 5.93 | 45.7 | 41.1 | 6.17 |
| | 57 | 51.7 | 50.5 | 4.89 | 49.5 | 48.3 | 5.19 | 47.3 | 46.2 | 5.50 | 44.6 | 43.7 | 5.87 | 42.4 | 41.1 | 6.11 |
| 1833 | 72 | 66.6 | 35.2 | 5.93 | 63.3 | 33.9 | 6.17 | 60.0 | 32.6 | 6.48 | 56.7 | 31.8 | 6.78 | 52.8 | 30.1 | 7.09 |
| | 67 | 61.1 | 44.9 | 5.56 | 58.3 | 43.7 | 5.81 | 55.0 | 42.4 | 6.11 | 51.7 | 41.1 | 6.42 | 48.4 | 39.9 | 6.72 |
| | 62 | 56.7 | 53.8 | 5.26 | 53.9 | 52.2 | 5.50 | 51.2 | 50.0 | 5.81 | 49.0 | 47.5 | 6.11 | 46.2 | 44.9 | 6.48 |
| | 57 | 56.1 | 54.7 | 5.19 | 53.4 | 52.6 | 5.50 | 51.2 | 50.0 | 5.81 | 49.0 | 47.5 | 6.11 | 46.2 | 44.9 | 6.48 |
| 2108 | 72 | 68.2 | 38.2 | 6.05 | 64.9 | 36.9 | 6.29 | 61.6 | 35.6 | 6.60 | 57.8 | 34.3 | 6.91 | 54.5 | 33.5 | 7.21 |
| | 67 | 63.3 | 49.6 | 5.68 | 60.0 | 48.8 | 5.93 | 56.7 | 47.5 | 6.23 | 53.4 | 45.8 | 6.54 | 50.1 | 44.5 | 6.84 |
| | 62 | 59.4 | 58.1 | 5.44 | 57.2 | 55.5 | 5.74 | 53.9 | 53.0 | 6.05 | 51.7 | 50.5 | 6.36 | 48.4 | 47.5 | 6.72 |
| | 57 | 59.4 | 58.1 | 5.44 | 57.2 | 55.5 | 5.74 | 53.9 | 53.0 | 6.05 | 51.7 | 50.5 | 6.36 | 48.4 | 47.5 | 6.72 |

Sensible heat capacities shown are based on 80F DB entering air at the evaporator coil.

For sensible heat capacities at other than 80F DB, deduct 84 BTUH per 100 CFM of evaporator coil air for each degree below 80F,

or add 84 BTUH per 100 CFM of evaporator coil air per degree above 80F.

CAPACITIES AT 95F OUTDOOR., 75F DB AND 63F WB INDOOR

TOTAL MBTU 51.9 SENSIBLE MBTUH 40.8 LATENT MBTUH 11.1

**HEATING PERFORMANCE
@ 70°F INSIDE TEMP.**

MODEL PHK024-1

| OUTSIDE F | HEAT BTUH | KW | COP |
|--------------|--------------|------|------|
| 62 | 32900 | 2.86 | 3.37 |
| 57 | 30000 | 2.74 | 3.21 |
| 52 | 26600 | 2.61 | 2.99 |
| 47 | 23800 | 2.49 | 2.80 |
| 42 | 20300 | 2.40 | 2.48 |
| 37 | 17500 | 2.30 | 2.23 |
| 32 | 15300 | 2.20 | 2.05 |
| 27 | 13600 | 2.09 | 1.94 |
| 22 | 12500 | 1.97 | 1.91 |
| 17 | 12000 | 1.85 | 1.90 |
| 12 | 11300 | 1.79 | 1.85 |
| 7 | 10700 | 1.77 | 1.77 |
| 2 | 10000 | 1.72 | 1.70 |
| -3 | 9500 | 1.67 | 1.67 |

MODEL PHK030-1

| OUTSIDE F | HEAT BTUH | KW | COP |
|--------------|--------------|------|------|
| 62 | 37900 | 3.08 | 3.61 |
| 57 | 34500 | 2.95 | 3.43 |
| 52 | 30700 | 2.81 | 3.20 |
| 47 | 27400 | 2.68 | 3.00 |
| 42 | 23800 | 2.63 | 2.64 |
| 37 | 20800 | 2.58 | 2.35 |
| 32 | 18300 | 2.52 | 2.12 |
| 27 | 16300 | 2.45 | 1.95 |
| 22 | 14900 | 2.37 | 1.84 |
| 17 | 14000 | 2.28 | 1.80 |
| 12 | 13200 | 2.21 | 1.75 |
| 7 | 12500 | 2.18 | 1.68 |
| 2 | 11600 | 2.12 | 1.60 |
| -3 | 11100 | 2.06 | 1.58 |

MODEL PHK036-1 & 3

| OUTSIDE F | HEAT BTUH | KW | COP |
|--------------|--------------|------|------|
| 62 | 46200 | 3.75 | 3.61 |
| 57 | 42100 | 3.59 | 3.44 |
| 52 | 37400 | 3.42 | 3.21 |
| 47 | 33400 | 3.26 | 3.00 |
| 42 | 29600 | 3.16 | 2.75 |
| 37 | 26400 | 3.08 | 2.53 |
| 32 | 23900 | 3.01 | 2.34 |
| 27 | 22000 | 2.97 | 2.19 |
| 22 | 20700 | 2.94 | 2.08 |
| 17 | 20000 | 2.93 | 2.00 |
| 12 | 18800 | 2.84 | 1.94 |
| 7 | 17900 | 2.80 | 1.87 |
| 2 | 16600 | 2.72 | 1.79 |
| -3 | 15800 | 2.65 | 1.75 |

MODEL PHK042-1

| OUTSIDE F | HEAT BTUH | KW | COP |
|--------------|--------------|------|------|
| 62 | 53900 | 4.11 | 3.84 |
| 57 | 49100 | 3.93 | 3.66 |
| 52 | 43600 | 3.75 | 3.41 |
| 47 | 39000 | 3.57 | 3.20 |
| 42 | 34900 | 3.51 | 2.90 |
| 37 | 31300 | 3.44 | 2.64 |
| 32 | 28100 | 3.36 | 2.42 |
| 27 | 25300 | 3.27 | 2.24 |
| 22 | 22900 | 3.18 | 2.10 |
| 17 | 21000 | 3.08 | 2.00 |
| 12 | 19800 | 2.99 | 1.94 |
| 7 | 18800 | 2.94 | 1.87 |
| 2 | 17500 | 2.86 | 1.79 |
| -3 | 16600 | 2.79 | 1.74 |

MODEL PHK048-1 & 3

| OUTSIDE F | HEAT BTUH | KW | COP |
|--------------|--------------|------|------|
| 62 | 61400 | 4.83 | 3.73 |
| 57 | 55900 | 4.62 | 3.55 |
| 52 | 49700 | 4.41 | 3.30 |
| 47 | 44400 | 4.20 | 3.10 |
| 42 | 38200 | 4.13 | 2.70 |
| 37 | 33100 | 4.05 | 2.39 |
| 32 | 29100 | 3.97 | 2.15 |
| 27 | 26200 | 3.88 | 1.99 |
| 22 | 24400 | 3.71 | 1.93 |
| 17 | 24000 | 3.69 | 1.90 |
| 12 | 22400 | 3.56 | 1.84 |
| 7 | 21300 | 3.50 | 1.78 |
| 2 | 19800 | 3.41 | 1.70 |
| -3 | 18800 | 3.32 | 1.66 |

MODEL PHK060-1 & 3

| OUTSIDE F | HEAT BTUH | KW | COP |
|--------------|--------------|------|------|
| 62 | 76000 | 5.30 | 4.20 |
| 57 | 69200 | 5.07 | 4.00 |
| 52 | 61500 | 4.84 | 3.72 |
| 47 | 55000 | 4.61 | 3.50 |
| 42 | 47300 | 4.56 | 3.04 |
| 37 | 41200 | 4.52 | 2.67 |
| 32 | 36600 | 4.50 | 2.39 |
| 27 | 33500 | 4.49 | 2.19 |
| 22 | 32700 | 4.48 | 2.12 |
| 17 | 32000 | 4.47 | 2.10 |
| 12 | 30100 | 4.34 | 2.03 |
| 7 | 28600 | 4.27 | 1.96 |
| 2 | 26600 | 4.15 | 1.88 |
| -3 | 25300 | 4.05 | 1.83 |

EVAPORATOR BLOWER SPECIFICATIONS

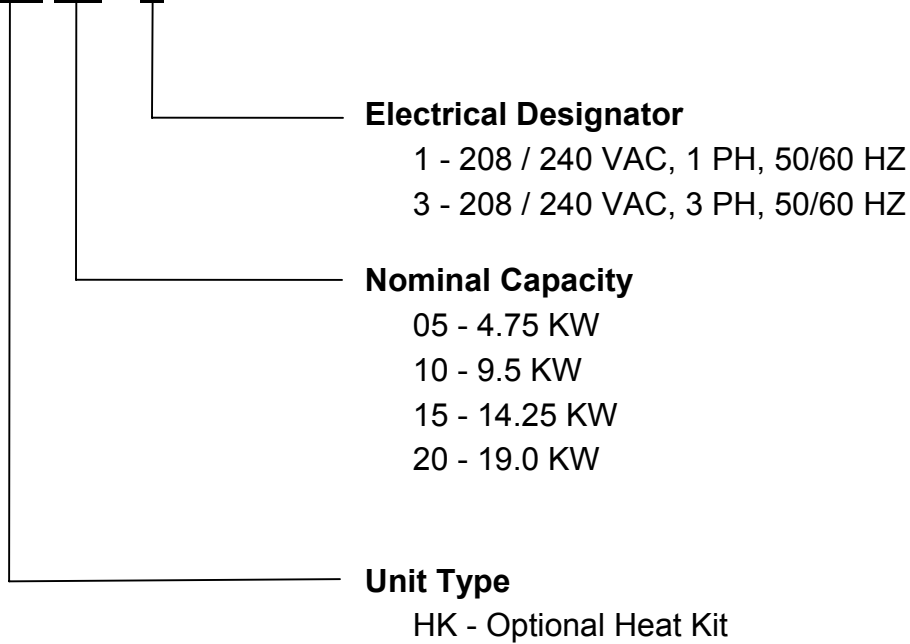
| MODEL | SPEED | VOLTS | | 0.1 | 0.2 | 0.3 | 0.4 | 0.5 | 0.6 | 0.7 | 0.8 | 0.9 | 1.0 |
|----------|-------|-------|-------|---------------------------------|------|------|------|------|------|------|------|-----|-----|
| | | | | E.S.P (In. of H ₂ O) | | | | | | | | | |
| PHK024-1 | LOW | 230 | CFM | 1100 | 1080 | 1055 | 1020 | 975 | 950 | 900 | 855 | - | - |
| | | | WATTS | 400 | 390 | 380 | 370 | 355 | 330 | 305 | 285 | - | - |
| | 208 | CFM | 1060 | 1040 | 1005 | 950 | 920 | 890 | 845 | 795 | - | - | |
| | | WATTS | 375 | 365 | 335 | 330 | 320 | 305 | 285 | 260 | - | - | |
| HIGH | 230 | CFM | 1250 | 1240 | 1200 | 1150 | 1070 | 1035 | 995 | 945 | 890 | 835 | |
| | | WATTS | 470 | 465 | 450 | 435 | 420 | 400 | 370 | 345 | 320 | 290 | |
| | 208 | CFM | 1225 | 1220 | 1175 | 1125 | 1045 | 1010 | 960 | 900 | 835 | 805 | |
| | | WATTS | 440 | 435 | 420 | 410 | 395 | 375 | 345 | 320 | 295 | 265 | |
| PHK030-1 | LOW | 230 | CFM | 1300 | 1270 | 1235 | 1225 | 1165 | 1125 | 1070 | 1015 | - | - |
| | | | WATTS | 465 | 440 | 420 | 410 | 380 | 360 | 335 | 320 | - | - |
| | 208 | CFM | 1245 | 1215 | 1180 | 1170 | 1115 | 1080 | 1025 | 975 | - | - | |
| | | WATTS | 440 | 425 | 395 | 385 | 355 | 335 | 315 | 300 | - | - | |
| HIGH | 230 | CFM | 1495 | 1445 | 1425 | 1400 | 1325 | 1265 | 1200 | 1145 | 1085 | - | |
| | | WATTS | 545 | 525 | 520 | 510 | 480 | 460 | 430 | 410 | 385 | - | |
| | 208 | CFM | 1460 | 1415 | 1395 | 1370 | 1300 | 1245 | 1185 | 1125 | 1065 | - | |
| | | WATTS | 505 | 490 | 475 | 465 | 450 | 430 | 405 | 385 | 360 | - | |
| PHK036-X | LOW | 230 | CFM | 1455 | 1415 | 1350 | 1290 | 1225 | 1165 | 1090 | 1045 | - | - |
| | | | WATTS | 480 | 470 | 460 | 440 | 420 | 380 | 355 | 320 | - | - |
| | 208 | CFM | 1380 | 1345 | 1285 | 1225 | 1160 | 1090 | 1045 | 975 | - | - | |
| | | WATTS | 450 | 445 | 435 | 415 | 395 | 355 | 315 | 300 | - | - | |
| HIGH | 230 | CFM | 1725 | 1630 | 1590 | 1560 | 1520 | 1400 | 1315 | 1245 | 1185 | - | |
| | | WATTS | 550 | 520 | 510 | 500 | 480 | 430 | 410 | 390 | 375 | - | |
| | 208 | CFM | 1640 | 1550 | 1515 | 1485 | 1445 | 1330 | 1250 | 1125 | 1065 | - | |
| | | WATTS | 525 | 495 | 485 | 475 | 455 | 410 | 380 | 385 | 360 | - | |
| PHK042-1 | LOW | 230 | CFM | 1455 | 1415 | 1350 | 1290 | 1225 | - | - | - | - | - |
| | | | WATTS | 480 | 470 | 460 | 440 | 420 | - | - | - | - | - |
| | 208 | CFM | 1380 | 1345 | 1285 | 1225 | - | - | - | - | - | - | |
| | | WATTS | 450 | 445 | 435 | 415 | - | - | - | - | - | - | |
| HIGH | 230 | CFM | 1725 | 1630 | 1590 | 1560 | 1520 | 1400 | 1315 | - | - | - | |
| | | WATTS | 550 | 520 | 510 | 500 | 480 | 430 | 410 | - | - | - | |
| | 208 | CFM | 1640 | 1550 | 1515 | 1485 | 1445 | 1330 | 1250 | - | - | - | |
| | | WATTS | 525 | 495 | 485 | 475 | 455 | 410 | 380 | - | - | - | |
| PHK048-X | LOW | 230 | CFM | 1730 | 1685 | 1635 | 1580 | 1490 | - | - | - | - | - |
| | | | WATTS | 690 | 670 | 640 | 600 | 565 | - | - | - | - | - |
| | 208 | CFM | 1610 | 1600 | 1580 | 1490 | - | - | - | - | - | - | |
| | | WATTS | 665 | 650 | 625 | 565 | - | - | - | - | - | - | |
| HIGH | 230 | CFM | 1990 | 1960 | 1880 | 1795 | 1695 | 1595 | - | - | - | - | |
| | | WATTS | 840 | 810 | 765 | 710 | 670 | 635 | - | - | - | - | |
| | 208 | CFM | 1895 | 1865 | 1790 | 1710 | 1615 | 1520 | - | - | - | - | |
| | | WATTS | 790 | 770 | 730 | 680 | 640 | 605 | - | - | - | - | |
| PHK060-X | LOW | 230 | CFM | 2160 | 2125 | 2085 | 2025 | 1970 | - | - | - | - | - |
| | | | WATTS | 910 | 865 | 830 | 800 | 765 | - | - | - | - | - |
| | 208 | CFM | 2055 | 2010 | 1985 | 1890 | 1870 | - | - | - | - | - | |
| | | WATTS | 820 | 780 | 755 | 740 | 730 | - | - | - | - | - | |
| HIGH | 230 | CFM | 2540 | 2470 | 2310 | 2280 | 2220 | 2095 | - | - | - | - | |
| | | WATTS | 1115 | 1070 | 1020 | 985 | 945 | 895 | - | - | - | - | |
| | 208 | CFM | 2425 | 2350 | 2200 | 2150 | 2120 | 1995 | - | - | - | - | |
| | | WATTS | 1055 | 1020 | 985 | 935 | 905 | 855 | - | - | - | - | |

NOTES:

- Data shown is dry coil. Wet coil pressure drop is approx.
0.1" H₂O, for 2 row indoor coil; 0.2" H₂O, for 3 row indoor coil; and 0.3" H₂O, for 4 row indoor coil.
- Data shown does not include filter pressure drop, approx. 0.08" H₂O.
- ALL MODELS SHOULD RUN NO LESS THAN 350 CFM / TON, USE HIGHER SPEED TAP OR NEXT SIZE LARGER BLOWER ASM., SEE REPAIR PARTS LIST.

MODEL IDENTIFICATION

HK 05 - 1



HEAT KIT SELECTION

| MODEL | PHK024-1 | PHK030-1 | PHK036-1 | PHK042-1 | PHK048-1 | PHK048-3 | PHK060-1 | PHK060-3 |
|--------|----------|----------|----------|----------|----------|----------|----------|----------|
| HK05-1 | * | * | * | * | * | * | * | * |
| HK08-1 | * | * | * | * | * | * | * | * |
| HH10-1 | * | * | * | * | * | * | * | * |
| HK15-1 | | * | * | * | * | * | * | * |
| HK20-1 | | | * | * | * | * | * | * |

NOTE: X=1, 3 OR 4 Electrical Designator

CHASSIS SIZE

| SMALL | MEDIUM | LARGE |
|----------------------|----------|----------------------------------|
| PHK024-1 PHK030-1 | PHK036-X | PHK042-1 PHK048-X PHK060-X |

ACCESSORIES

| | SMALL | MEDIUM | LARGE |
|--|----------|----------|----------|
| ROOF CURB | PCCP-1 | PCCP2-3 | PCCP2-3 |
| DOWN FLOW PLENUM | PCP-1 | PCP2-3 | PCP2-3 |
| MANUAL FRESH AIR DAMPER | PCMD-1 | PCMD2-3 | PCMD2-3 |
| ECONOMIZER - DOWN FLOW | PCE-1 | PCE2-3 | PCE2-3 |
| SQUARE TO ROUND CONVERTER (DOWNFLOW) | SQRPC-1 | SQRPC2-3 | SQRPC2-3 |
| SQUARE TO ROUND CONVERTER (HORIZONTAL) | SQRPCH-1 | SQRPCH-2 | SQRPCH-3 |
| ELBOW & FLASHING | PCEF-1 | PCEF2-3 | PCEF2-3 |
| ROOM THERMOSTAT | CHT18-60 | CHT18-60 | CHT18-60 |

NOTE: Down Flow Plenum includes Filter Rack

HEAT KIT ELECTRICAL DATA

| Model No. | Nominal K. W. | Heater Amp. 208/240V | Minimum Ampacity 208/240V | Maximum Overcurrent Protection 208/240V | Multiple Supply Circuit | | | |
|-----------|---------------|----------------------|---------------------------|---|---------------------------|-------|-----------------------------|-------|
| | | | | | Min. Ampacity per Circuit | | Max. Overcurrent Protection | |
| | | | | | 208/240V | | 208/240V | |
| | | | | | 1 | 2 | 1 | 2 |
| HK05-1* | 4.75 | 17.2/19.8 | 22/25 | 30/30 | | | | |
| HK08-1* | 7.00 | 25.3/29.2 | 32/37 | 60/60 | | | | |
| HK10-1* | 9.50 | 34.4/39.6 | 43/50 | 60/60 | | | | |
| HK10-3 | 9.50 | 20.7/23.6 | 26/30 | 30/30 | | | | |
| HK15-1* | 14.25 | 51.5/59.4 | 65/75 | 90/90 | 22/25 | 43/50 | 30/30 | 60/60 |
| HK15-3 | 15.0 | 31.7/36.2 | 40/46 | 50/50 | | | | |
| HK15-4# | 15.0 | 18.1 | 23 | 30 | | | | |
| HK20-1* | 19.0 | 68.7/79.2 | 86/99 | 120/120 | 43/50 | 43/50 | 60/60 | 60/60 |
| HK20-3 | 19.6 | 41.4/47.2 | 52/59 | 60/60 | | | | |
| HK20-4# | 19.6 | 23.6 | 30 | 30 | | | | |

* - Circuit Breaker Models

Ratings at 208/240 VAC, except where noted

- Ratings at 480 VAC, PH 3

KW Correction Factor

| Supply Voltage | 240 | 230 | 220 | 210 | 208 |
|-------------------|------|------|------|------|------|
| Correction Factor | 1.00 | 0.93 | 0.85 | 0.78 | 0.76 |

(Multiply the 240 VAC capacity by factors)

NOTE: SPECIFICATIONS AND PERFORMANCE DATA LISTED HEREIN ARE SUBJECT TO CHANGE WITHOUT NOTICE.