



# REPAIR PARTS

---

## GMPN Multi-Positional Gas Furnace

GMPN040-3  
GMPN060-3  
GMPN080-4  
GMPN100-4  
GMPN120-5



This manual is to be used by qualified technicians only.

This manual replaces RP-437A.

© 2008-2009 Goodman Manufacturing Company, L.P. ♦ 5151 San Felipe, Suite 500 ♦ Houston, TX 77056

# Important Information

---

## Index

Functional Parts List .....	3
Illustration and Parts .....	4 - 11

*Views shown are for parts illustrations only, not servicing procedures.*

Rev. B: Added flue collector box gasket.

### Text Codes:

AR - As Required

NA - Not Available

NS - Not Shown

00000000 - See Note

QTY - Quantity Example (QTY 3) (If Quantity not shown, Quantity = 1)

M - Model Example (M1) (If M Code not shown, then part is used on all Models)

### Expanded Model Nomenclature:

Example M1 - Model#1 M2 - Model#2 M3 - Model#3
---

Goodman Manufacturing Company, L.P. is not responsible for personal injury or property damage resulting from improper service. Review all service information before beginning repairs.

Warranty service must be performed by an authorized technician, using authorized factory parts. If service is required after the warranty expires, Goodman Manufacturing Company, L.P. also recommends contacting an authorized technician and using authorized factory parts.

Goodman Manufacturing Company, L.P. reserves the right to discontinue, or change at any time, specifications or designs without notice or without incurring obligations.

For assistance within the U.S.A. contact:  
Consumer Affairs Department  
Goodman Manufacturing Company, L.P.  
7401 Security Way  
Houston, Texas 77040  
877-254-4729-Telephone  
713-863-2382-Facsimile

For assistance outside the U.S.A. contact:  
International Division  
Goodman Manufacturing Company, L.P.  
7401 Security Way  
Houston, Texas 77040  
713-861-2500-Telephone  
713-863-2382-Facsimile

# Functional Parts

## Part

## No: Description:

---

B1370150	AIR PRESSURE SWITCH (M3, M4, M5)
B1370148	AIR PRESSURE SWITCH, -1.39 (M1, M2)
B1340020S	BLOWER MOTOR 1/2 HP, DIRECT DRIVE (M3, M4)
B1340021S	BLOWER MOTOR 1/3 HP, DIRECT DRIVE (M1, M2)
B1340022S	BLOWER MOTOR 3/4 HP, DIRECT DRIVE (M5)
CAP100000370VAS	CAPACITOR 10/370V (M3, M4)
CAP125000370RPS	CAPACITOR 12.5/370V (M1, M2)
CAP150000370VAS	CAPACITOR 15/370V (M5)
0130F00010	FLAME SENSOR
B1282628	GAS VALVE (36G)
B1809913S	HSI BOARD W/9-PIN CONNECTOR
B1401018S	IGNITOR
1370906S	PRIMARY LIMIT SWITCH 150°F (M1)
1370908S	PRIMARY LIMIT SWITCH 160°F (M2, M3, M5)
1370910S	PRIMARY LIMIT SWITCH 170°F (M4)
B1370154	ROLL OUT SWITCH, 350° W/O BRKT. (QTY 4)
B1141605	TRANSFORMER 120V TO 24V, 40 VA
B2833001S	VENT MOTOR

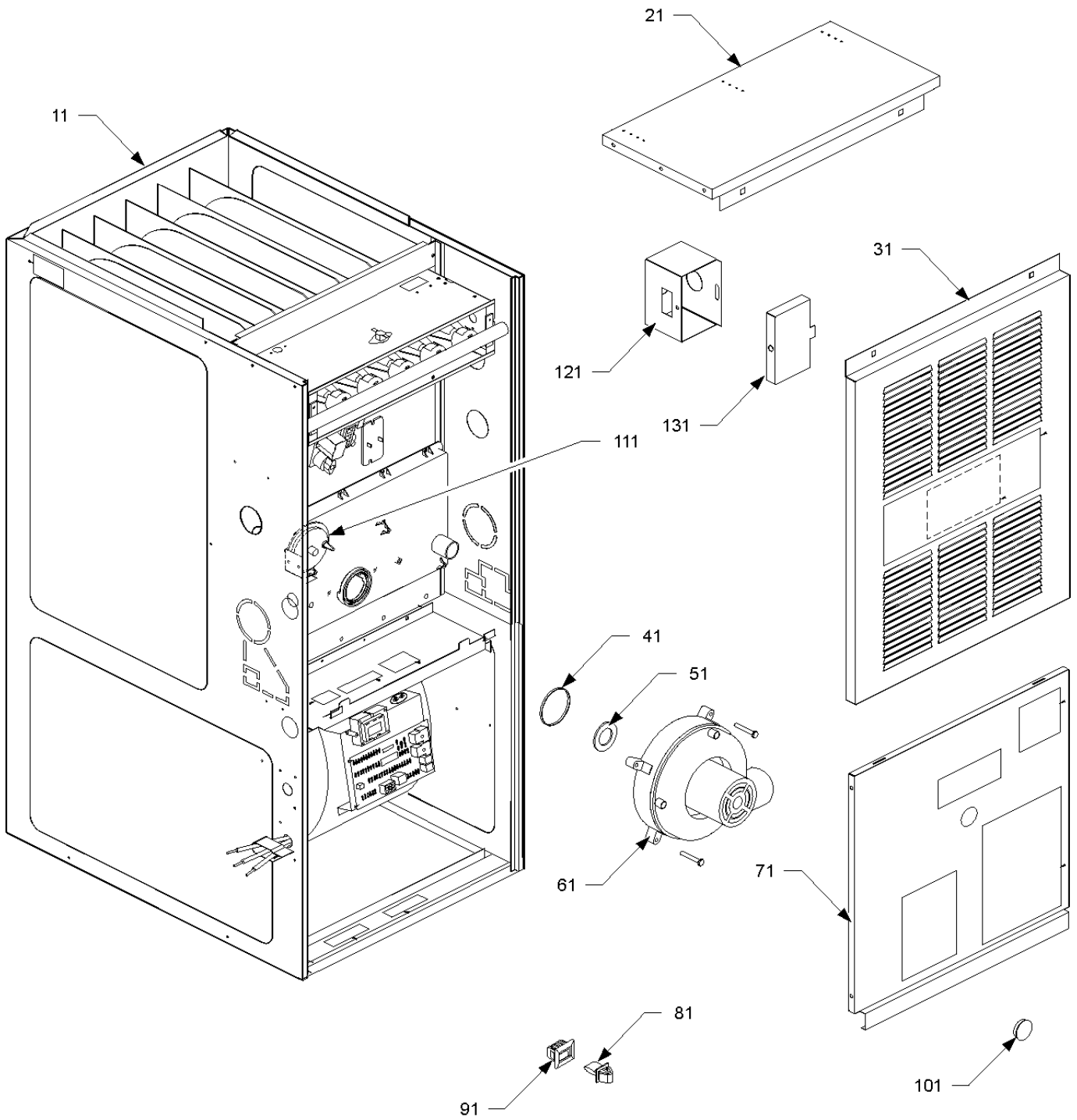
### SPECIAL PARTS

IO-151D	INSTALLATION INSTRUCTIONS
IO-605	LIGHTING INSTRUCTIONS, W/36G
RP-437	REPAIR PARTS MANUAL
IO-604	SPECIAL INSTRUCTIONS, 36G VALVE
HI-111C	USERS MANUAL

### Expanded Model Nomenclature

M1 - GMPN040-3
M2 - GMPN060-3
M3 - GMPN080-4
M4 - GMPN100-4
M5 - GMPN120-5

# Cabinet Assy



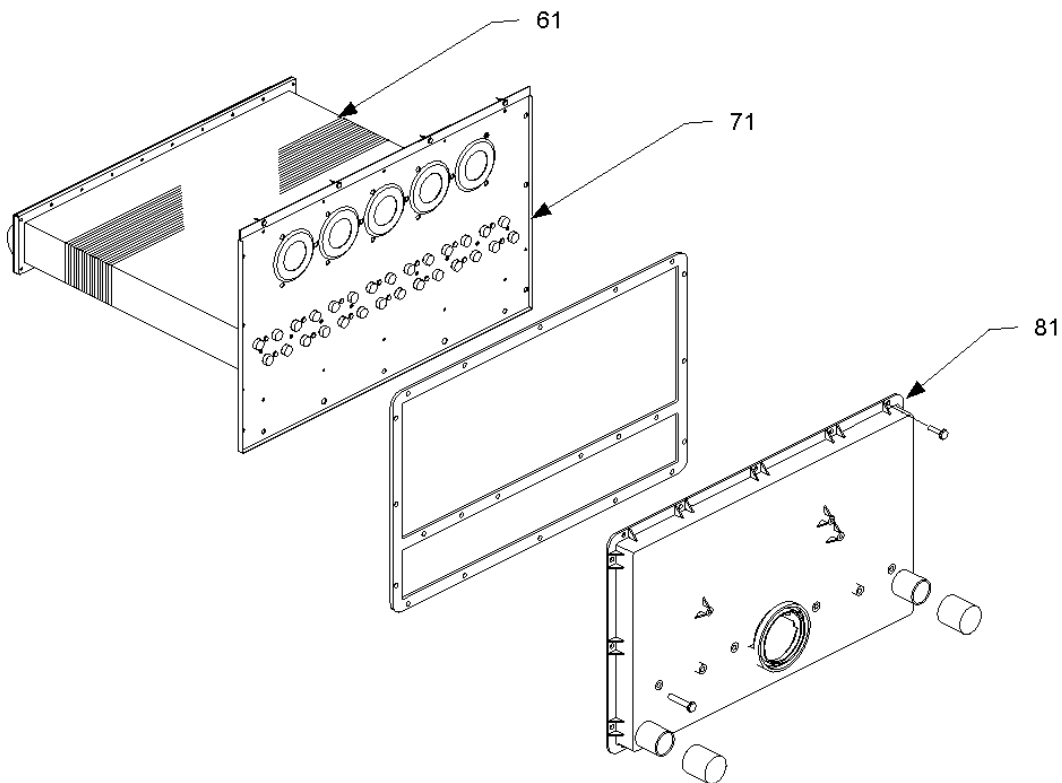
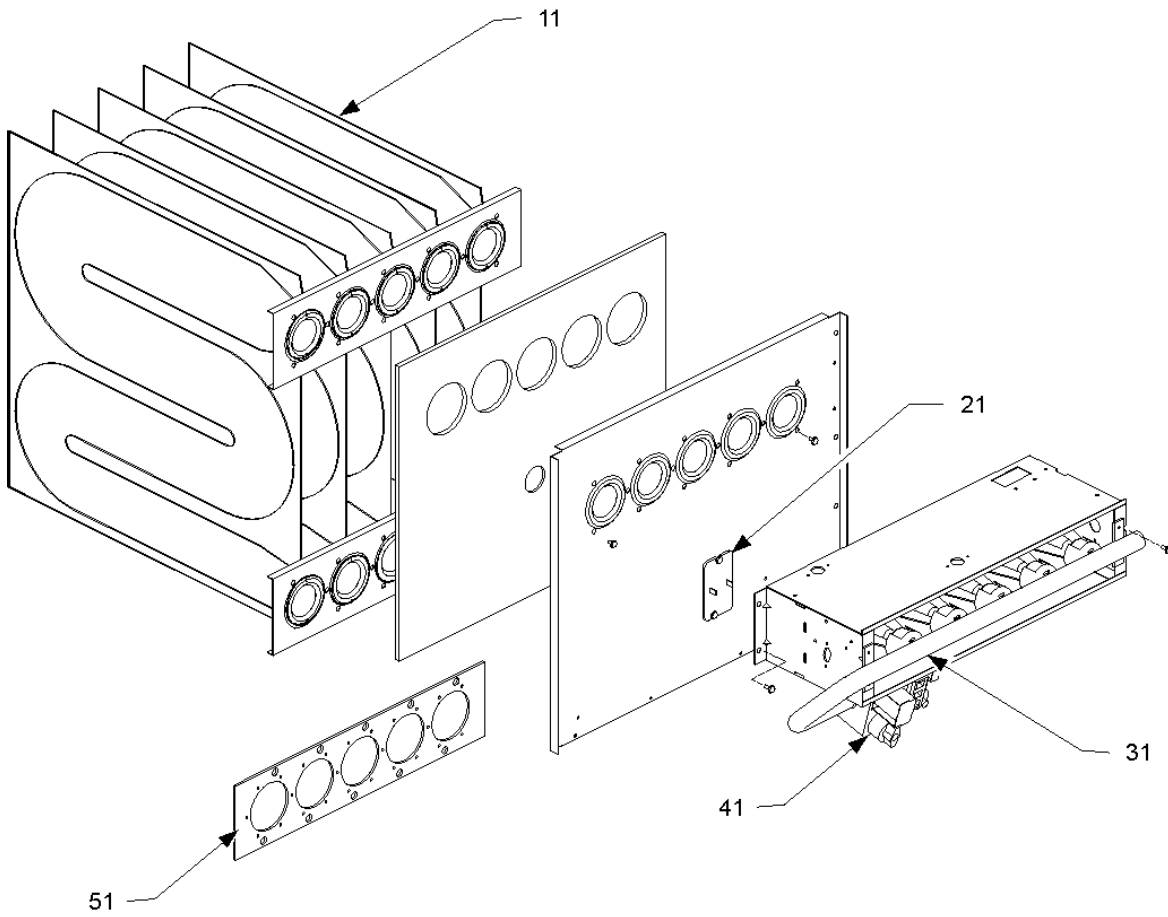
# Cabinet Assy

Ref. Part No:	No:	Description:	Ref. Part No:	No:	Description:
<i>Image 1:</i>					
11	2816512S	WRAPPER ASSY (M1, M2)			
11	2816513S	WRAPPER ASSY (M3)			
11	2816514S	WRAPPER ASSY (M4)			
11	2816515S	WRAPPER ASSY (M5)			
21	2558504P	TOP PANEL DOWNFLOW 14" (M1, M2)			
21	2558505P	TOP PANEL DOWNFLOW 17.5" (M3)			
21	2558506P	TOP PANEL DOWNFLOW 21" (M4)			
21	2558507P	TOP PANEL DOWNFLOW 24.5" (M5)			
31	2812008P	CONTROL ACCESS DOOR 17.5" (M3)			
31	2812009P	CONTROL ACCESS DOOR 21" (M4)			
31	2812010P	CONTROL ACCESS DOOR 24.5" (M5)			
31	2812007P	CONTROL ACCESS DOOR 14" (M1, M2)			
41	B2832606	O RING 2.25 X .156			
51	B2864906	FLUE RESTRICTOR PLATE 1.063 DIA (M1)			
51	B2864903	FLUE RESTRICTOR PLATE 1.252 DIA (M2)			
51	B2864905	FLUE RESTRICTOR PLATE 1.505 DIA (M3, M4, M5)			
61	B2833001S	VENT MOTOR			
71	0221F00031PBB	BLOWER ACCESS DOOR 14.0" (M1, M2)			
71	0221F00032PBB	BLOWER ACCESS DOOR 17.5" (M3)			
71	0221F00033PBB	BLOWER ACCESS DOOR 21.0" (M4)			
71	0221F00034PBB	BLOWER ACCESS DOOR 24.5" (M5)			
81	B1392148	DOOR STRIKE (QTY 2)			
91	B1392146	DOOR CATCH (QTY 2)			
101	B1392139	VIEW PORT BUSHING-BLOWER DOOR			
111	B1370150	AIR PRESSURE SWITCH (M3, M4, M5)			
111	B1370148	AIR PRESSURE SWITCH, -1.39 (M1, M2)			
121	2514501	J-BOX [OBSOLETE]			
131	2515501	J-BOX COVER			
NS	B1370820	DOOR SWITCH			
NS	2524000	DUCT ANGLE 14" (M1, M2)			
NS	2524001	DUCT ANGLE 17.5" (M3)			
NS	2524002	DUCT ANGLE 21" (M4)			
NS	2524003	DUCT ANGLE 24.5" (M5)			
NS	B1392705	PRESSURE SWITCH HOSE (QTY 2)			

## Expanded Model Nomenclature

M1 - GMPN040-3
M2 - GMPN060-3
M3 - GMPN080-4
M4 - GMPN100-4
M5 - GMPN120-5

# Heat Exchanger Assy



# Heat Exchanger Assy

Ref. Part No:	No:	Description:	Ref. Part No:	No:	Description:					
<i>Image 1:</i>			Expanded Model Nomenclature							
11	2821304S	SUB-ASSY, HEAT EXCHANGER 2 CL (M1)	<table border="1"> <tr><td>M1 - GMPN040-3</td></tr> <tr><td>M2 - GMPN060-3</td></tr> <tr><td>M3 - GMPN080-4</td></tr> <tr><td>M4 - GMPN100-4</td></tr> <tr><td>M5 - GMPN120-5</td></tr> </table>			M1 - GMPN040-3	M2 - GMPN060-3	M3 - GMPN080-4	M4 - GMPN100-4	M5 - GMPN120-5
M1 - GMPN040-3										
M2 - GMPN060-3										
M3 - GMPN080-4										
M4 - GMPN100-4										
M5 - GMPN120-5										
11	2821300S	SUB-ASSY, HEAT EXCHANGER 3 CL (M2)								
11	2821301S	SUB-ASSY, HEAT EXCHANGER 4 CL (M3)								
11	2821302S	SUB-ASSY, HEAT EXCHANGER 5 CL (M4)								
11	2821303S	SUB-ASSY, HEAT EXCHANGER 6 CL (M5)								
21	1370906S	PRIMARY LIMIT SWITCH 150°F (M1)								
21	1370908S	PRIMARY LIMIT SWITCH 160°F (M2, M3, M5)								
21	1370910S	PRIMARY LIMIT SWITCH 170°F (M4)								
31	B2526000	MANIFOLD - 3 BRNR (M1)								
31	B2526001	MANIFOLD - 3 BRNR (M2)								
31	B2526002	MANIFOLD - 4 BRNR (M3)								
31	B2526003	MANIFOLD - 5 BRNR (M4)								
31	B2526004	MANIFOLD - 6 BRNR (M5)								
41	B1282628	GAS VALVE (36G)								
51	B2832608	ATTACHMENT GASKET, 2 CELL (M1)								
51	B2832600	ATTACHMENT GASKET, 3 CELL (M2)								
51	B2832601	ATTACHMENT GASKET, 4 CELL (M3)								
51	B2832602	ATTACHMENT GASKET, 5 CELL (M4)								
51	B2832603	ATTACHMENT GASKET, 6 CELL (M5)								
61	2864604S	SECONDARY HEAT EXCHANGER COIL 14" (M1, M2)								
61	2864605S	SECONDARY HEAT EXCHANGER COIL 17.5" (M3)								
61	2864606S	SECONDARY HEAT EXCHANGER COIL 21" (M4)								
61	2864607S	SECONDARY HEAT EXCHANGER COIL 24.5" (M5)								
71	2830104	LOWER INNER FRONT, 2 CELL (M1)								
71	2830100	LOWER INNER FRONT, 3 CELL (M2)								
71	2830101	LOWER INNER FRONT, 4 CELL (M3)								
71	2830102	LOWER INNER FRONT, 5 CELL (M4)								
71	2830103	LOWER INNER FRONT, 6 CELL (M5)								
81	2820004S	FLUE COLLECTOR BOX 14" (M1, M2)								
81	2820005S	FLUE COLLECTOR BOX 17.5" (M3)								
81	2820006S	FLUE COLLECTOR BOX 21" (M4)								
81	2820007S	FLUE COLLECTOR BOX 24.5" (M5)								
NS	B2832512	COIL/LOWER INNER FRONT GASKET (M1, M2)								
NS	B2832513	COIL/LOWER INNER FRONT GASKET (M3)								
NS	B2832514	COIL/LOWER INNER FRONT GASKET (M4)								
NS	B2832515	COIL/LOWER INNER FRONT GASKET (M5)								
NS	B2832500	FLUE COLLECTOR GASKET 14" (M1, M2)								
NS	B2832501	FLUE COLLECTOR GASKET 17.5" (M3)								
NS	B2832502	FLUE COLLECTOR GASKET 21" (M4)								
NS	B2832503	FLUE COLLECTOR GASKET 24.5" (M5)								
NS	B1370253	STACK OVERTEMP SWITCH								

# Burner Box/Control Panel/Blower Assy

Image 1

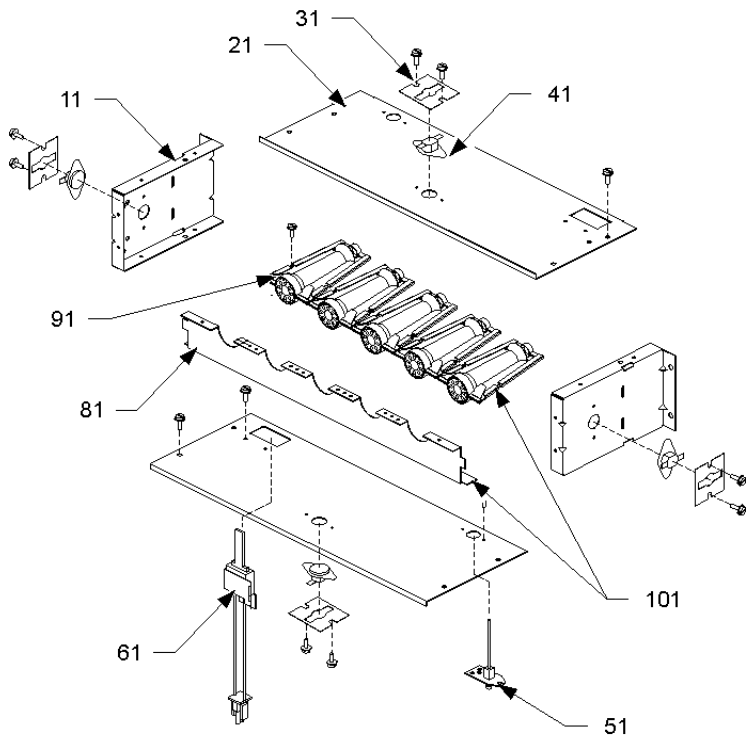


Image 2

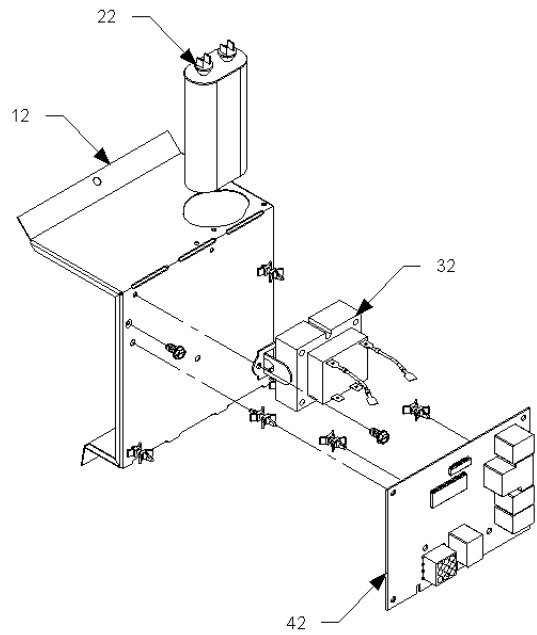
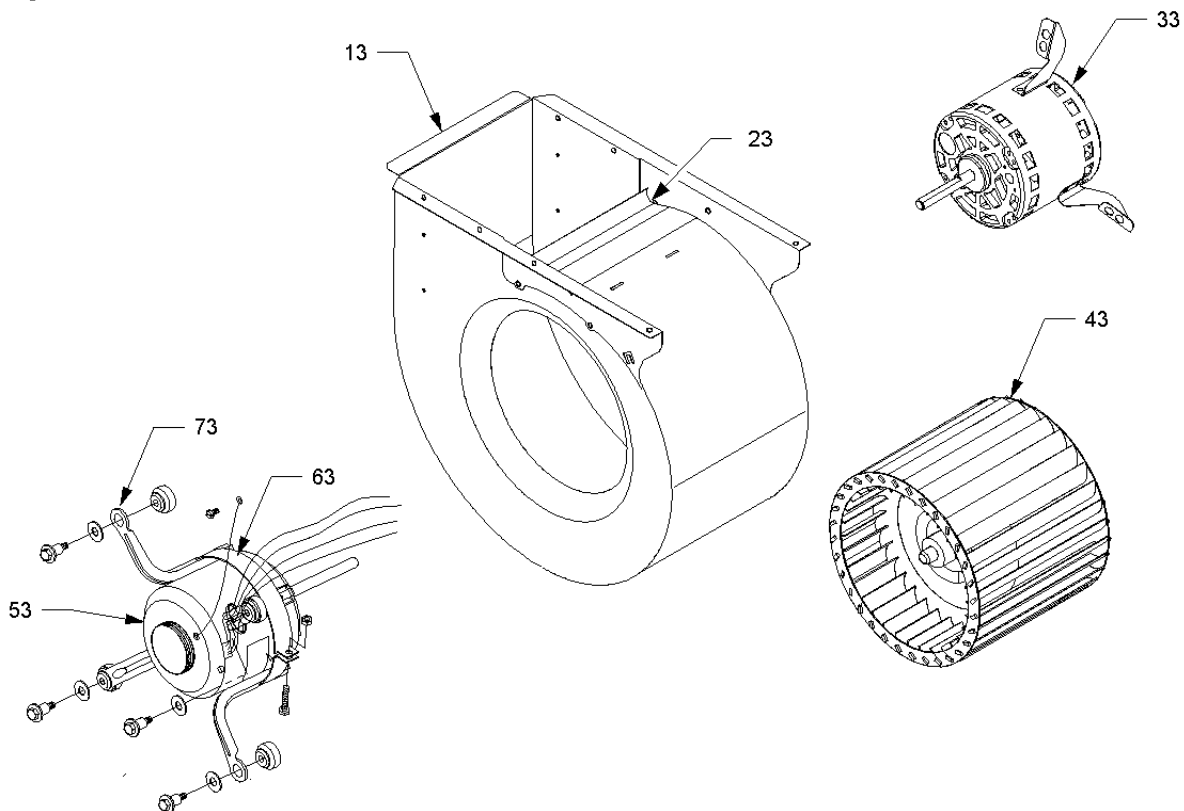


Image 3

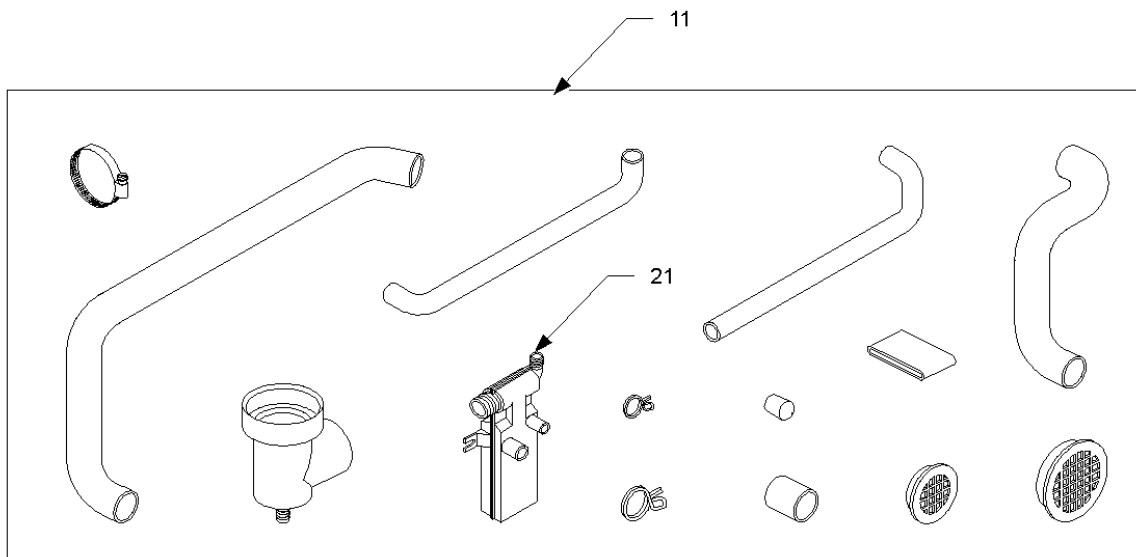




# Burner Box/Control Panel/Blower Assy

Ref. Part No:	Ref. Part No:	Description:	Description:
<i>Image 1:</i>		<i>Image 3:</i>	
11	2514000	BURNER BOX SIDE (QTY 2)	NS 2878400S WIRE HARNESS KIT
21	2513000	BURNER BOX TOP, 2 CELL (M1)	Expanded Model Nomenclature
21	2513001	BURNER BOX TOP, 3 CELL (M2)	M1 - GMPN040-3
21	2513002	BURNER BOX TOP, 4 CELL [OBSOLETE] (M3)	M2 - GMPN060-3
21	2513003	BURNER BOX TOP, 5 CELL (M4)	M3 - GMPN080-4
21	2513004	BURNER BOX TOP, 6 CELL (M5)	M4 - GMPN100-4
31	2509503F	AUXILIARY LIMIT BRACKET (QTY 4)	M5 - GMPN120-5
41	B1370154	ROLL OUT SWITCH, 350° W/O BRKT. (QTY 4)	
51	0130F00010	FLAME SENSOR	
61	B1401018S	IGNITOR	
81	2513500	BURNER BRACKET 2B (M1)	
81	2513501	BURNER BRACKET 3B (M2)	
81	2513502	BURNER BRACKET 4B (M3)	
81	2513503	BURNER BRACKET 5B (M4)	
81	2513504	BURNER BRACKET 6B (M5)	
91	B4022700	INSHOT BURNER ASSY 3" (QTY 2)	
101	4022700S	BURNER RACK ASSY 2 CELL (M1)	
101	4022701S	BURNER RACK ASSY 3 CELL (M2)	
101	4022702S	BURNER RACK ASSY 4 CELL (M3)	
101	4022703S	BURNER RACK ASSY 5 CELL (M4)	
101	4022704S	BURNER RACK ASSY 6 CELL (M5)	
NS	B2589345	#45 ORIFICE (QTY 2)	
<i>Image 2:</i>			
12	1815817	CONTROL MOUNT PANEL	
22	CAP100000370VAS	CAPACITOR 10/370V (M3, M4)	
22	CAP125000370RPS	CAPACITOR 12.5/370V (M1, M2)	
22	CAP150000370VAS	CAPACITOR 15/370V (M5)	
32	B1141605	TRANSFORMER 120V TO 24V, 40 VA	
42	B1809913S	HSI BOARD W/9-PIN CONNECTOR	
<i>Image 3:</i>			
13	2539307S	BLOWER HOUSING 10 X 10 (M4)	
13	2539305S	BLOWER HOUSING 10 X 6 (M1, M2, M5)	
13	2539306S	BLOWER HOUSING 10 X 8 (M3)	
23	764740F	BLOWER BLOCK-OFF 10 X 8 (M3)	
23	764741F	BLOWER CUT-OFF 10 X 10 (M4)	
23	764739	BLOWER CUT-OFF 10 X 6 (M1, M2, M5)	
33	B1340020S	BLOWER MOTOR 1/2 HP, DIRECT DRIVE (M3, M4)	
33	B1340021S	BLOWER MOTOR 1/3 HP, DIRECT DRIVE (M1, M2)	
43	B1368047A	BLOWER WHEEL 10 X 10 (M4)	
43	B1368034S	BLOWER WHEEL 10 X 6 (M1, M2, M5)	
43	B1368046S	BLOWER WHEEL 10 X 6 CCW (M5)	
43	B1368016S	BLOWER WHEEL 10 X 8 (M3)	
53	B1340022S	BLOWER MOTOR 3/4 HP, DIRECT DRIVE (M5)	
63	0121M00038	MOTOR MOUNT BAND (M5)	
73	B1376857	MOTOR MOUNT ARM (M5)	

# DRAIN TRAP & HOSE KIT



# DRAIN TRAP & HOSE KIT

Ref. Part No:	No:	Description:	Ref. Part No:	No:	Description:
---------------	-----	--------------	---------------	-----	--------------

---

Image 1:

11	B2810700	DRAIN TRAP & HOSE KIT 14" (M1, M2)
11	B2810701	DRAIN TRAP & HOSE KIT 17.5" (M3)
11	B2810702	DRAIN TRAP & HOSE KIT 21" (M4)
11	B2810703	DRAIN TRAP & HOSE KIT 24.5" (M5)
21	B2820811	DRAIN TRAP ASSY

Expanded Model Nomenclature

- M1 - GMPN040-3
- M2 - GMPN060-3
- M3 - GMPN080-4
- M4 - GMPN100-4
- M5 - GMPN120-5

