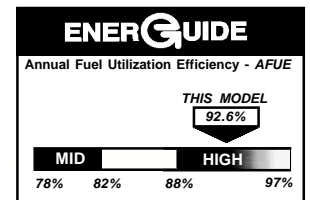




# MULTI-POSITION CONDENSING GAS FURNACE GMPN SERIES

U.S. Patent No. 5,437,263



## DESCRIPTION/APPLICATION

- All models design certified by ETL and ETL<sub>C</sub> Testing Laboratories in compliance with Unified Standard
- Completely assembled, factory tested furnace for heating or combination heating/cooling application.
- For utility room, closet, alcove or basement application.
- Vertical or horizontal venting with 2" diameter PVC for 40k, 60k, 80k and 3" diameter for 100k, 120k.
- Capable of multiple position installation - upflow, downflow, or horizontal.

## CONSTRUCTION

- Heavy gauge, reinforced, wrap-around insulated, steel cabinet with durable baked enamel finish.
- Aluminized steel heat exchanger cells featuring the "weld free" manufacturing process.
- Left, right side or bottom inlet air return.
- Aluminized steel in-shot burners.
- Convenient right & left hand connection for gas and electric service.
- Removable solid bottom blockoff.

## OPTIONAL EQUIPMENT

- L. P. conversion kit (L.P. kit model LPM-01)
- Combustible floor base for downflow application.

As an Energy Star Partner, Goodman Manufacturing Company, L.P., has determined that this product meets the Energy Star guidelines for energy efficiency

## STANDARD EQUIPMENT

- Electronic hot surface ignition system with diagnostics.
- Corrosion resistant stainless steel secondary heat exchanger which extracts the maximum amount of energy from the gas and converts it to usable heat.
- Energy saving PSC multispeed direct drive blower motors.
- Blower door safety switch.
- Outlet air temperature limit control.
- Pressure switch for proof of combustion air.
- Combination redundant gas valve and regulator.
- Corrosion resistant induced draft motor/blower assembly.
- 40va transformer for heating and cooling operation.
- Temperature limit control at vent blower outlet, guards against excessive exhaust gas temperatures.
- Multiple flame roll-out switches.
- Drain kit includes vent screens, drain trap assembly, hoses & clamps.

Made in the USA by:  
Goodman Manufacturing Company, L.P.  
2550 North Loop West, Suite 400  
Houston, Texas 77092  
www.goodmanmfg.com

## Performance Data

Model No. GMPN	Input* Nat. & L.P. BTUH	Output BTUH	DOE** AFUE	Temp. Rise Range
040-3	40,000	36,000	92.6	25-55
060-3	60,000	54,000	92.6	35-65
080-4	80,000	72,000	92.6	35-65
100-4	100,000	90,000	92.6	40-70
120-5	120,000	108,000	92.6	35-65

\* For altitudes above 2,000 ft. reduce ratings 4% for each 1,000 ft above sea level

\*\*DOE AFUE based upon Isolated Combustion System (ICS)

BEFORE PURCHASING THIS APPLIANCE, READ IMPORTANT ENERGY COST AND EFFICIENCY INFORMATION AVAILABLE FROM YOUR RETAILER

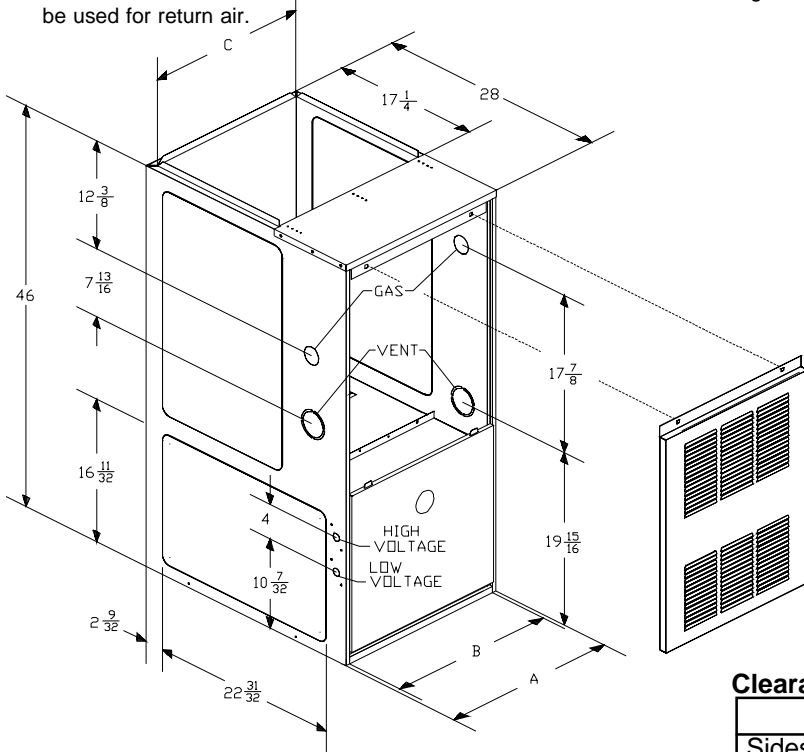
## Specification Data

Model No. GMPN	Blower				Vent* Dia. In.	Filter** Size In.	Electrical		Ship Wt.
	Motor H.P.	Speeds	Dia	Width			FLA	Max. Fuse	
040-3	1/3	4	10	6	2	199 In <sup>2</sup> / 400 In <sup>2</sup>	5.2	15	170
060-3	4	10	6	2	240 In <sup>2</sup> / 480 In <sup>2</sup>	5.2	15	180	
080-4	1/2	3	10	8	2	320 In <sup>2</sup> / 640 In <sup>2</sup>	7.8	15	205
100-4	1/2	3	10	10	3	363 In <sup>2</sup> / 727 In <sup>2</sup>	7.8	15	225
120-5	3/4	3	10	6(2)	3	480 In <sup>2</sup> / 960 In <sup>2</sup>	9.6	15	265

\* Schedule 40 PVC pipe, DWV

\*\* Filter dimensions for bottom application. All models require 18" x 25" filter(s) for side air installations.

Permanent air filters recommended. Where max. air flow is 1800 CFM or greater, both sides or the bottom must be used for return air.



### Dimensions (inches)

Model No. GMPN	A	B	C
040-3	14	12 1/2	12 1/2
060-3	14	12 1/2	12 1/2
080-4	17 1/2	16	16
100-4	21	19 1/2	19 1/2
120-5	24 1/2	23	23

COMBUSTIBLE FLOOR BASE FOR DOWNFLOW APPLICATION	
GMPN040-3	SBM14
GMPN060-3	SBM14
GMPN080-4	SBM17
GMPN100-4	SBM21
GMPN120-5	SBM24

### Clearances from Combustible Materials (all models)

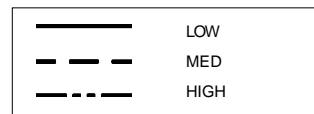
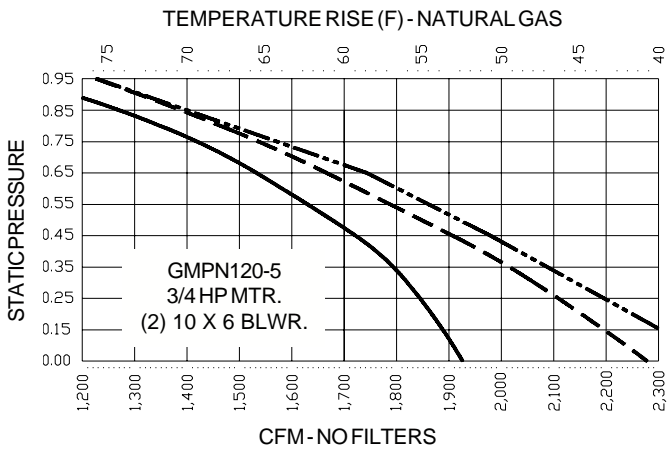
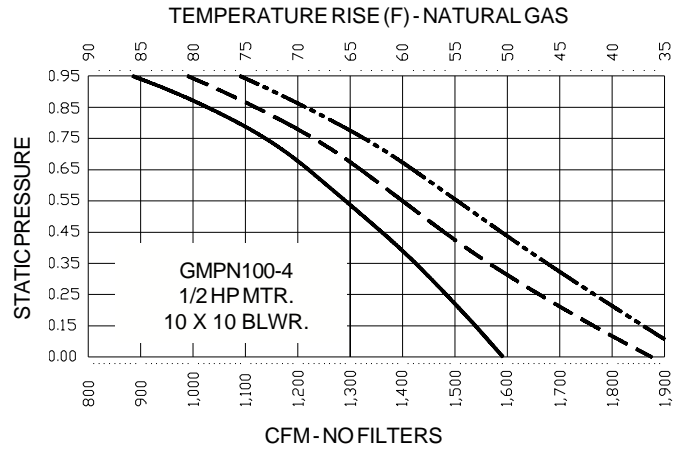
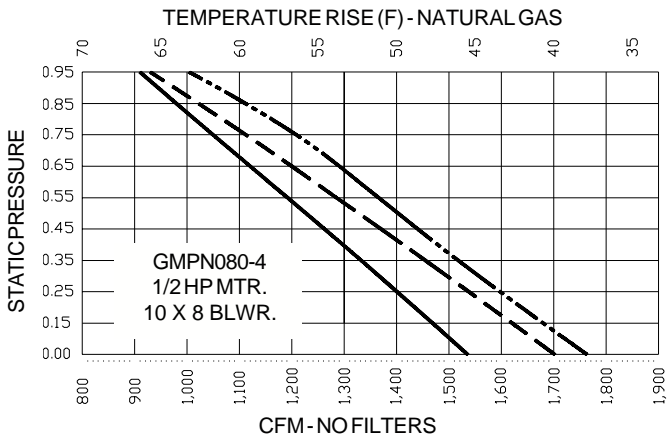
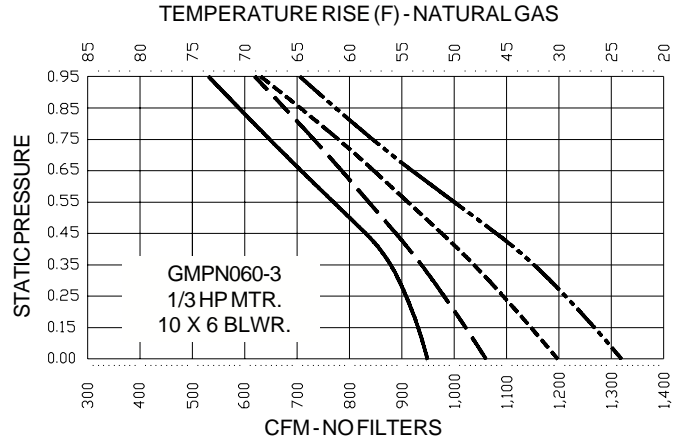
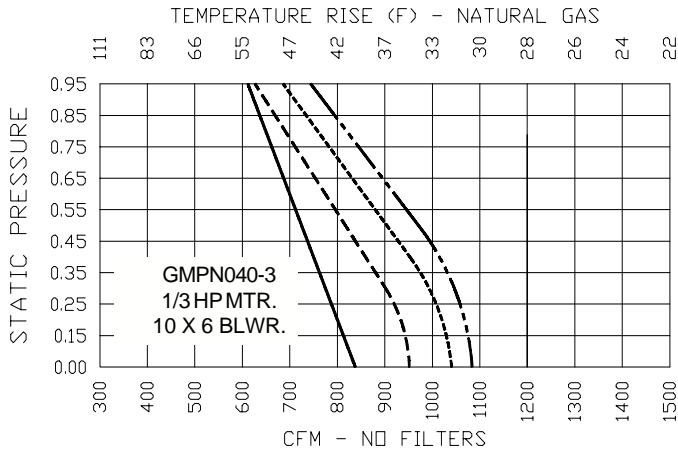
Sides	Rear	Top	Front*	Vent	Top	
					Horiz	Upflow
1"	0"	1"	3"	0"	8"	1"

\* Accessibility clearance shall take precedence where greater

### Model Identification

G	M	P	N	060	3
Gas Furnace	Multi	Position	Condensing	Input(MBTU) (Nom)	Tons Cooling (Nom)

# AIRFLOW DATA

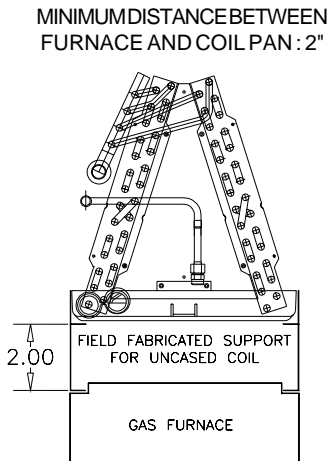


## CASED (U) COIL APPLICATION OPTIONS

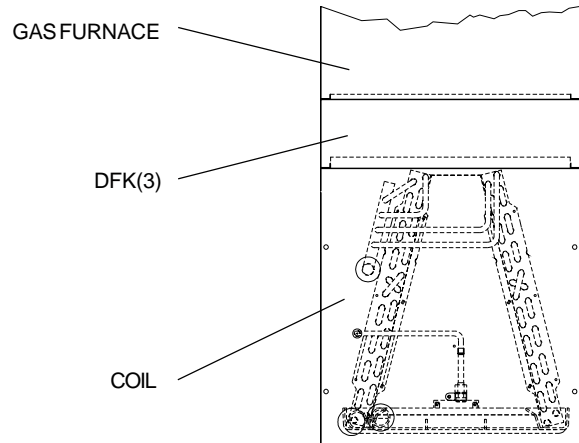
	FURNACE MODEL NO.	GMP050-3 GMP075-3 GMPN040-3 GMPN060-3 *GSU060-3	GMP075-4 GMP100-3 GMP100-4 GMPV075-1.5/3 GMPN080-4 *GSU080-4	GMP100-5 GMP125-4 GMP125-5 GMPV100-3/5 GMPV125-3/5 GMPN100-4 *GSU100-4	GMP150-5 GMPN120-5
	NOMINAL FURNACE WIDTH	14"	17 1/2"	21"	24 1/2"
	DFK MODEL NO.(3)	DFK-14	DFK-17	DFK-21	DFK-24
COIL MODEL NO.	NOMINAL COIL WIDTH				
U-18	14"	X			
U-29	14"	X			
U-30	17 1/2"	X(1)	X(2)		
U-31	14"	X			
U-32	17 1/2"	X(1)	X(2)		
U-35	14"	X			
U-36	17 1/2"	X(1)	X(2)		
U-42	17 1/2"	X(1)	X(2)		
U-47	17 1/2"		X		
U-49	21"		X(1)	X(2)	
U-59	21"		X(1)	X(2)	
U-60	24 1/2"			X(1)	X(2)
U-61	24 1/2"			X(1)	X(2)
U-62	21"		X(1)	X(2)	

- (1) - Utilizing factory installed bottom cabinet filler plates.
- (2) - Discard bottom cabinet filler plates.
- (3) - Downflow Coil Adapter Kit allows use of U coils in downflow applications.
- \* - Upflow Application only

### UC COIL INSTALLATION RECOMMENDATIONS:



### DOWNFLOW APPLICATIONS



- Note:
- A. Do not use this coil on oil furnaces or any applications where the temperature on drain pan may exceed 300°F. Use the following metal drain pans: 15236-18 (U-18 thru U-32), 15236-19 (U-36 thru U-47), 15236-20 (U/UC-60 thru U-61), and 15236-12 (U/UC-49, U-59, and U-62) for those applications.
  - B. Due to the rating mix/match of various coils with outdoor units it is important to match the furnace air flow for the total system capacity. (Refer to furnace spec. sheet & condenser/heat pump spec. sheet.)