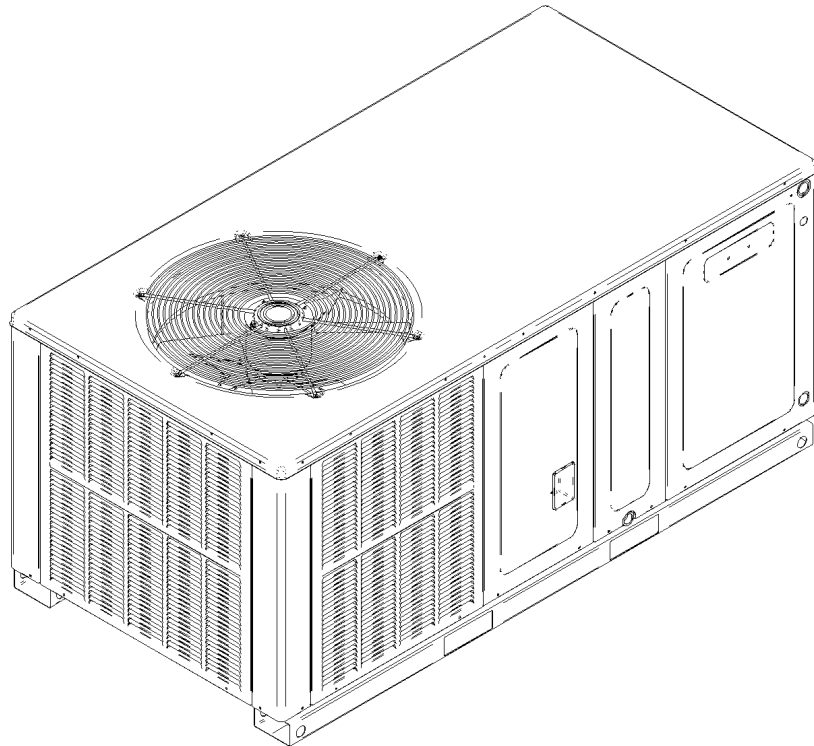


REPAIR PARTS

GPH 13 SEER H-SERIES Package Heat Pumps

GPH1324H21AB
GPH1324H21AC
GPH1324H21A
GPH1330H21AB
GPH1330H21AC
GPH1330H21A
GPH1336H21AB
GPH1336H21AC
GPH1336H21AD
GPH1336H21A
GPH1342H21AB
GPH1342H21AC
GPH1342H21AD
GPH1342H21A
GPH1348H21AB
GPH1348H21AC
GPH1348H21A
GPH1360H21AA
GPH1360H21AB
GPH1360H21AC



Goodman Manufacturing Company, L.P.
5151 San Felipe, Suite 500
Houston, TX 77056

www.goodmanmfg.com www.amana-hac.com

RP-359G
September 2007

Important Information

Index

Functional Parts List	3 - 4
Illustration and Parts	6 - 15

Views shown are for parts illustrations only, not servicing procedures

Rev.G: Added GPH1324H21AC, GPH1330H21AC, GPH1336H21AD, GPH1342H21AD, GPH1348H21AC, and GPH1360H21AC.

Text Codes:

AR - As Required

NA - Not Available

NS - Not Shown

00000000 - See Note

QTY - Quantity Example (QTY 3) (If Quantity not shown, Quantity = 1)

M - Model Example (M1) (If M Code not shown, then part is used on all Models)

Expanded Model Nomenclature:

Example M1 - Model#1 M2 - Model#2 M3 - Model#3

Goodman Manufacturing Company, L.P. is not responsible for personal injury or property damage resulting from improper service. Review all service information before beginning repairs.

Warranty service must be performed by an authorized technician, using authorized factory parts. If service is required after the warranty expires, Goodman Manufacturing Company, L.P. also recommends contacting an authorized technician and using authorized factory parts.

Goodman Manufacturing Company, L.P. reserves the right to discontinue, or change at any time, specifications or designs without notice or without incurring obligations.

For assistance within the U.S.A. contact:
Consumer Affairs Department
Goodman Manufacturing Company, L.P.
7401 Security Way
Houston, Texas 77040
877-254-4729-Telephone
713-863-2382-Facsimile

For assistance outside the U.S.A. contact:
International Division
Goodman Manufacturing Company, L.P.
7401 Security Way
Houston, Texas 77040
713-861-2500-Telephone
713-863-2382-Facsimile

Functional Parts

Part

No: Description:

Part No:	Description:	Part No:	Description:
0130M00014	240 VOLT RELAY (M1, M2, M4, M5, M7, M8, M9, M11, M12, M13, M15, M16)	0131M00008PS	COND MOTOR 1/3 HP, 1 SP, 6 PL (M15, M16, M17, M18, M19, M20)
B1370751	24V RELAY (M18)	0131M00014PS	COND MOTOR 1/4 HP, 1 SP, 8 PL (M8, M9)
B1226207	ACCUMULATOR (M7, M8, M9, M10, M11, M12, M13, M14, M15, M16, M17, M18, M19, M20)	0131M00007PS	COND MOTOR 1/4 HP, 1 SP, 8 PL (M7, M10, M11, M14)
B1226206	ACCUMULATOR (M1, M2, M3, M4, M5, M6)	0131M00061	COND MOTOR 1/4 HP, 1 SP, 8 PL (M12, M13)
B1219204	BI-FLOW FILTER DRIER, STEEL (M1, M2, M3, M5, M6, M9, M10, M13, M14, M16, M17, M18, M19, M20)	0131M00009PS	COND MOTOR 1/6 HP, 1 SP, 8 PL (M1, M2, M3, M4, M5, M6)
0131M00010PS	BLOWER MOTOR 1/2 HP, 3 SP, 8 PL (M11, M12, M13, M14, M15, M16, M17)	CONT1P025024VS	CONTACTOR 25 AMP, 1P, 24 VAC (M2, M5)
11091202S	BLOWER MOTOR 1/3 HP, 3 SP, 6 PL (M4, M5, M6, M7, M8, M9, M10)	CONT2P025024VS	CONTACTOR 25 AMP, 2P, 24 VAC (M1, M3, M4, M6, M7, M8, M9, M10)
11091207S	BLOWER MOTOR 1/4 HP, 3 SP, 8 PL (M1, M2, M3)	CONT1P030024VS	CONTACTOR 30 AMP, 1P, 24 VAC (M16)
0231K00039	BLOWER MOTOR 3/4 HP PROGRAMMED X13 (M18)	CONT2P030024VS	CONTACTOR 30 AMP, 2P, 24 VAC (M12, M13)
0231K00042	BLOWER MOTOR 3/4 HP PROGRAMMED X13 (M19, M20)	B1360301	CONTACTOR 30 AMP, 150 LRA, 277 VAC (M11, M14, M15, M17)
CAP100000370VAS	CAPACITOR 10/370V (M1, M2, M3, M4, M5, M6, M7, M8, M9, M10)	CONT2P040024VS	CONTACTOR 40 AMP, 240V (M18, M19)
CAP150000370VAS	CAPACITOR 15/370V (M11, M12, M13, M14, M15, M16, M17)	PCBDM101S	DEFROST CONTROL BOARD (M1, M2, M5, M9, M13, M16)
CAP050350370RSS	CAPACITOR 5/35/370V (M1, M2)	0130M00009P	DEFROST THERMOSTAT OPEN 60°, CLOSE 34° (M1, M2, M3, M4, M5, M6)
CAP050350370RSS	CAPACITOR 5/35/370V (M3)	0130M00001P	DEFROST THERMOSTAT OPEN 75°, CLOSE 31° (M7, M8, M9, M10, M11, M12, M13, M14, M15, M16, M17, M18, M19, M20)
CAP050350440RSS	CAPACITOR 5/35/440V (M7, M10)	B1226008	DEFROST TIMER (M3, M4, M6, M7, M8, M10, M11, M12, M14, M15, M17, M18, M19)
CAP050350440RSS	CAPACITOR 5/35/440V (M8, M9)	0202G00075PS	EVAP-BRAZE ASSY (M7, M8, M9, M10)
CAP050400370RSS	CAPACITOR 5/40/370V (M4, M6)	0202G00076PS	EVAP-BRAZE ASSY (M18, M19, M20)
CAP050400370RSS	CAPACITOR 5/40/370V (M5)	0202G00108S	EVAP-BRAZE ASSY (M11, M12, M13, M14)
CAP050500370RTS	CAPACITOR 5/50/370V (M12, M13)	0202G00078PS	EVAP-BRAZE ASSY (M4, M5, M6)
CAP050500370RTS	CAPACITOR 5/50/370V (M11, M14)	0202G00079PS	EVAP-BRAZE ASSY (M1, M2, M3)
CAP050600370RTS	CAPACITOR 5/60/370V (M16)	0202G00074PS	EVAP-BRAZE ASSY (M15, M16, M17)
CAP050600370RTS	CAPACITOR 5/60/370V (M15, M17)	B2114657	FLOWRATOR (COND) .057 (M4, M5, M6)
CAP050800370RTS	CAPACITOR 5/80/370V (M18, M19)	B2114459	FLOWRATOR (COND) .059 (M1, M2, M3)
0159G00000P	COIL HARNESS, REVERSING VALVE	B2114665	FLOWRATOR (COND) .065 (M7, M8, M9)
CR23K7PFV930	COMPRESSOR 22600, 208/230/60/1 (M6)	B2114668	FLOWRATOR (COND) .068 (M10)
ZR24K4PFV930	COMPRESSOR 24000, 208/230/60/1 (M1, M2, M3)	0162M00012P	FLOWRATOR (COND) .071 (M15, M16, M17)
ZR26K3PFV930	COMPRESSOR 26600, 208/230/60/1 (M4, M5)	B2114872	FLOWRATOR (COND) .072 (M11, M12, M13, M14)
CR31K7PFV970	COMPRESSOR 30700, 208/230/60/1 (M7, M8, M9, M10)	0162M00010P	FLOWRATOR (COND) .080 (M18, M19, M20)
ZR36K3PFV930	COMPRESSOR 36900, 208/230/60/1 (M11, M12, M13, M14)	B2114665	FLOWRATOR (EVAP) .065 (M1, M2, M3)
ZR42K3PFV930	COMPRESSOR 42800, 208/230/60/1 (M15, M16, M17)	0162M00008P	FLOWRATOR (EVAP) .067 (M4, M5, M6)
ZR54K3PFV930	COMPRESSOR 55000, 208/230/60/1 (M18, M19, M20)	0162M00011P	FLOWRATOR (EVAP) .073 (M7, M8, M9, M10)
B1488815S	COMPRESSOR SOUND BLANKET (M7, M8, M9, M10)	B2114880	FLOWRATOR (EVAP) .080 (M11, M12, M13, M14)
		B2114882	FLOWRATOR (EVAP) .082 (M15, M16)
		B2114884	FLOWRATOR (EVAP) .084 (M17)
		0162M00020P	FLOWRATOR (EVAP) .090 (M18, M19, M20)
		0130M00013	LOW PRESSURE SWITCH OPEN 7°, CLOSE 25°

Functional Parts

Part

No: Description:

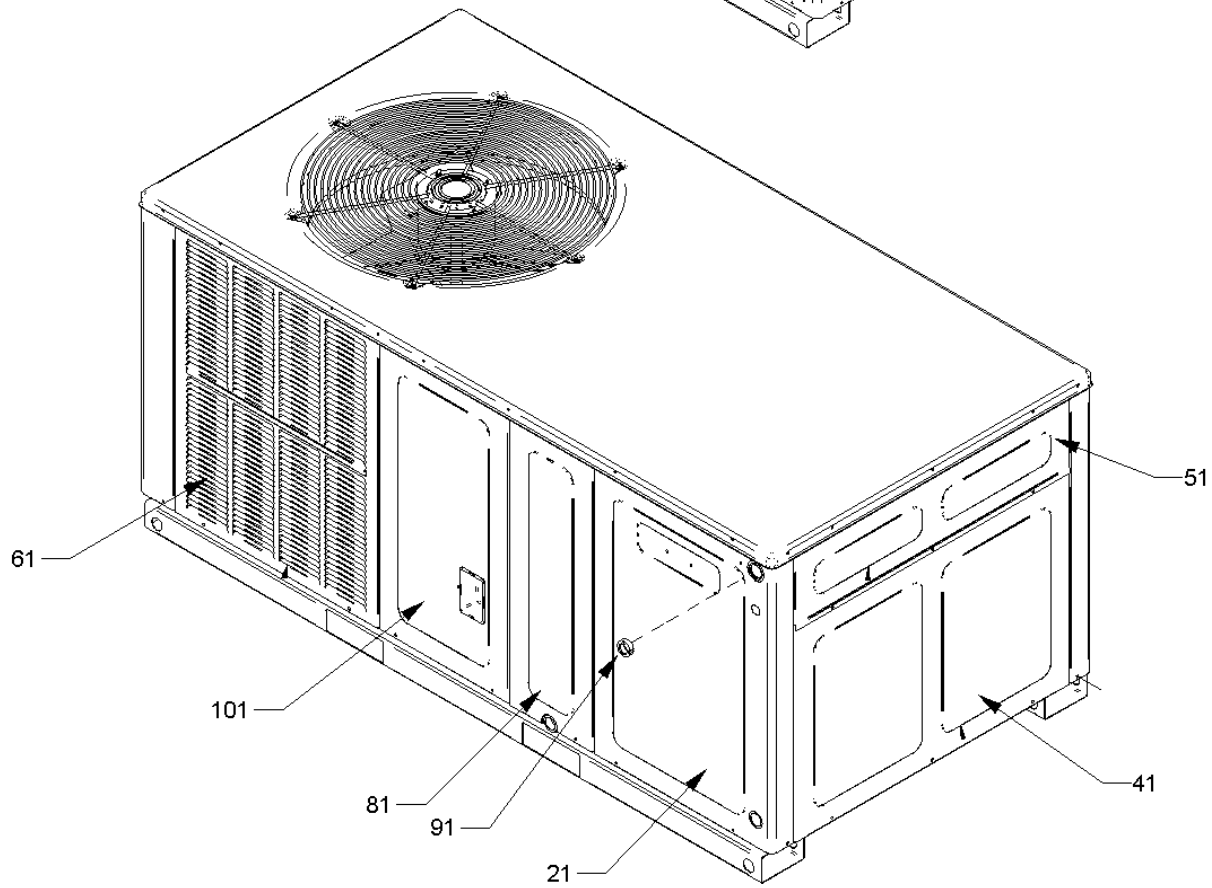
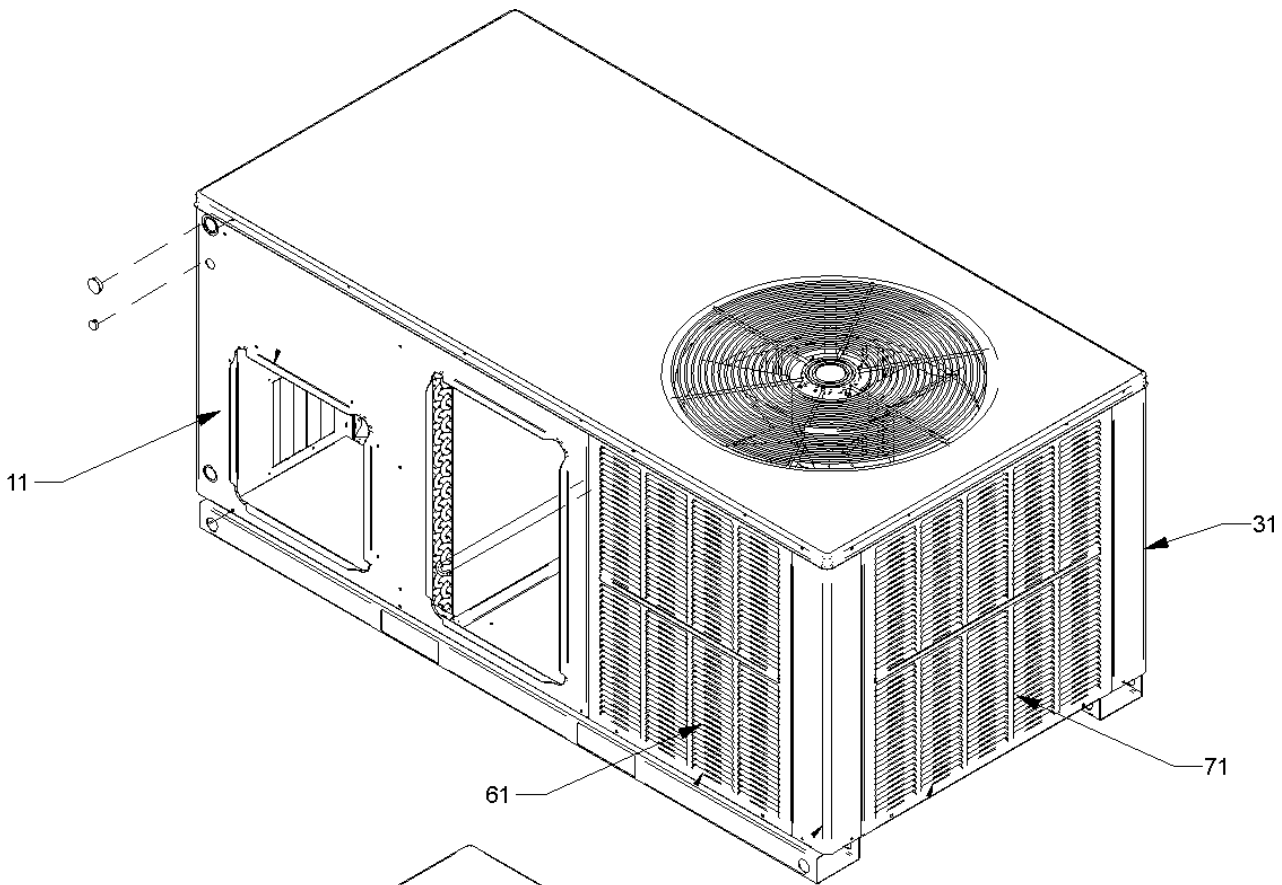
Part No:	Description:	Expanded Model Nomenclature
PCBFM103S	RELAY, ELECTRONIC BLOWER TIME DELAY (M1, M2, M3, M4, M5, M6, M7, M8, M9, M10, M11, M12, M13, M14, M15, M16, M17)	M1 - GPH1324H21AB
B1227316S	REVERSING VALVE (M1, M2, M3, M4, M5, M6)	M2 - GPH1324H21AC
B1227317S	REVERSING VALVE (M7, M8, M9, M10, M11, M12, M13, M14, M15, M16, M17, M18, M19, M20)	M3 - GPH1324H21A
B1225022S	SOLENOID COIL, REVERSING VALVE	M4 - GPH1330H21AB
B1141643	TRANSFORMER 208/230, 24V (M1, M2, M3, M4, M5, M6, M7, M8, M9, M10, M11, M12, M13, M14, M15, M16, M17, M18, M19)	M5 - GPH1330H21AC
1362701	TUBING ASSY, COND COIL (M4, M5, M6)	M6 - GPH1330H21A
1362700	TUBING ASSY, COND COIL (M1, M2, M3)	M7 - GPH1336H21AB
1362702	TUBING ASSY, COND COIL (M7, M8, M9, M10)	M8 - GPH1336H21AC
1362703	TUBING ASSY, COND COIL (M11, M12, M13, M14)	M9 - GPH1336H21AD
1362705	TUBING ASSY, COND COIL (M18, M19, M20)	M10 - GPH1336H21A
1362704	TUBING ASSY, COND COIL (M15, M16, M17)	M11 - GPH1342H21AB
0259G00005	WIRE HARNESS, ELECTRIC HEAT (M1, M2, M4, M5, M7, M8, M9, M11, M12, M13, M15, M16)	M12 - GPH1342H21AC
0259G00000P	WIRE HARNESS, ELECTRIC HEAT (M3, M6, M10, M14, M17)	M13 - GPH1342H21AD
0259G00003	WIRE HARNESS, ELECTRIC HEAT (M18, M19)	M14 - GPH1342H21A
		M15 - GPH1348H21AB
		M16 - GPH1348H21AC
		M17 - GPH1348H21A
		M18 - GPH1360H21AA
		M19 - GPH1360H21AB
		M20 - GPH1360H21AC

SPECIAL PARTS

IO-313	INSTALLATION INSTRUCTIONS
IO-658	INSTRUCTIONS, ISOLATION RELAY KIT
B10259251	LABEL, GOODMAN
RP-359G	REPAIR PARTS MANUAL
B1757910	SUPPLEMENTAL INSERT (EBTDR)

THIS PAGE INTENTIONALLY LEFT BLANK

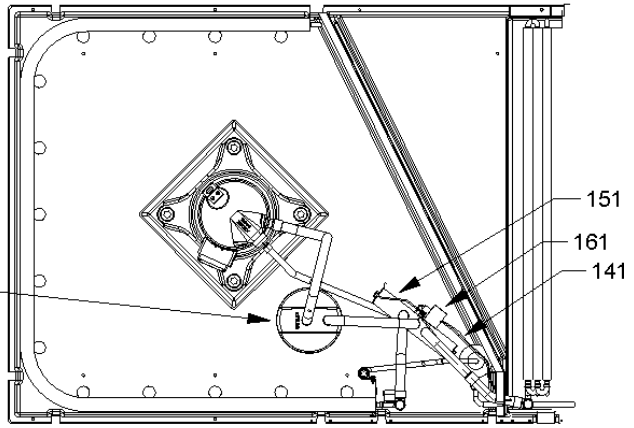
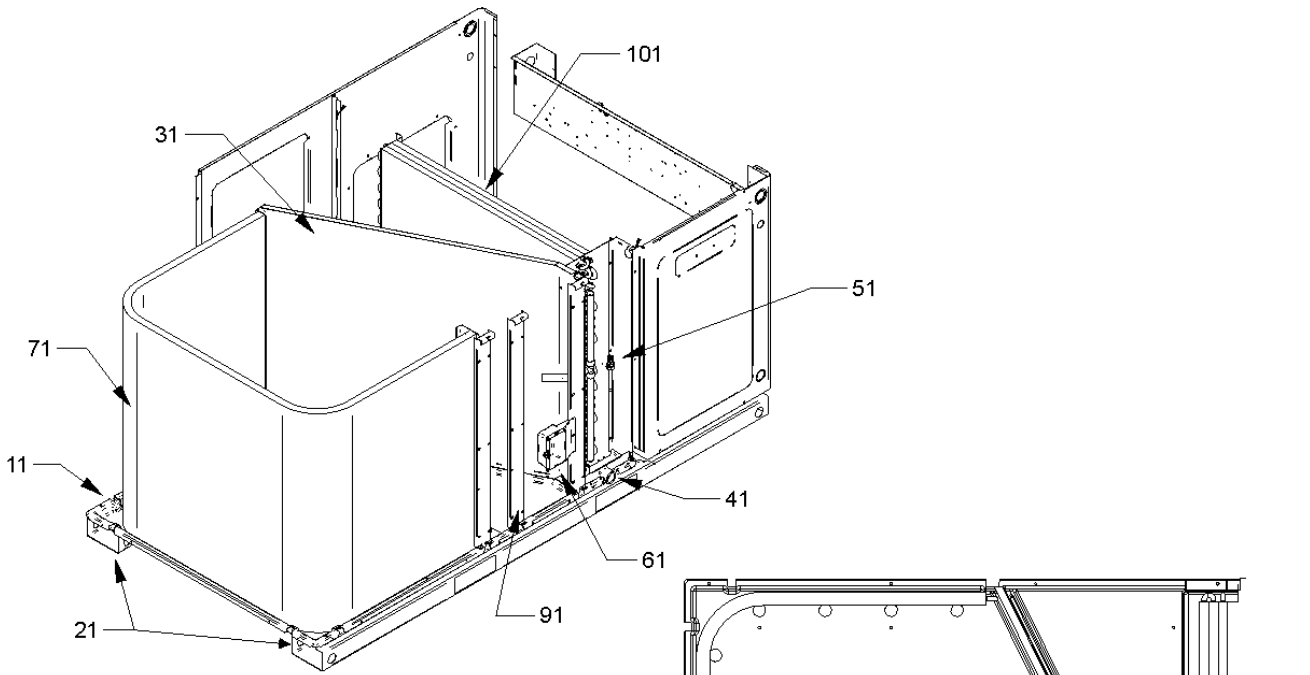
CABINET



CABINET

Ref Part No:	Description:	Ref. Part No:	Description:																				
<i>Image 1:</i>		101 0121G00059PDG	COMPRESSOR PANEL 8.75" X 27.50" (M1, M2, M3)																				
11 0270G00008PS	INSULATED ASSY, DUCT PANEL 27.5" (M1, M2, M3, M4, M5, M6)	101 0121G00060PDG	COMPRESSOR PANEL 8.75" X 32.50" (M11, M12, M13, M14)																				
11 0270G00009PS	INSULATED ASSY, DUCT PANEL 32.5" (M7, M8, M9, M10, M11, M12, M13, M14)	101 0121G00087PDG	COMPRESSOR PANEL 8.75" X 36" (M15, M16, M17, M18, M19, M20)																				
11 0270G00010PS	INSULATED ASSY, DUCT PANEL 36" (M15, M16, M17, M18, M19, M20)	Expanded Model Nomenclature																					
21 0270G00011PS	INSULATED ASSY, CORNER PANEL 27.5" (M1, M2, M3, M4, M5, M6)	<table border="1"> <tr><td>M1 - GPH1324H21AB</td></tr> <tr><td>M2 - GPH1324H21AC</td></tr> <tr><td>M3 - GPH1324H21A</td></tr> <tr><td>M4 - GPH1330H21AB</td></tr> <tr><td>M5 - GPH1330H21AC</td></tr> <tr><td>M6 - GPH1330H21A</td></tr> <tr><td>M7 - GPH1336H21AB</td></tr> <tr><td>M8 - GPH1336H21AC</td></tr> <tr><td>M9 - GPH1336H21AD</td></tr> <tr><td>M10 - GPH1336H21A</td></tr> <tr><td>M11 - GPH1342H21AB</td></tr> <tr><td>M12 - GPH1342H21AC</td></tr> <tr><td>M13 - GPH1342H21AD</td></tr> <tr><td>M14 - GPH1342H21A</td></tr> <tr><td>M15 - GPH1348H21AB</td></tr> <tr><td>M16 - GPH1348H21AC</td></tr> <tr><td>M17 - GPH1348H21A</td></tr> <tr><td>M18 - GPH1360H21AA</td></tr> <tr><td>M19 - GPH1360H21AB</td></tr> <tr><td>M20 - GPH1360H21AC</td></tr> </table>		M1 - GPH1324H21AB	M2 - GPH1324H21AC	M3 - GPH1324H21A	M4 - GPH1330H21AB	M5 - GPH1330H21AC	M6 - GPH1330H21A	M7 - GPH1336H21AB	M8 - GPH1336H21AC	M9 - GPH1336H21AD	M10 - GPH1336H21A	M11 - GPH1342H21AB	M12 - GPH1342H21AC	M13 - GPH1342H21AD	M14 - GPH1342H21A	M15 - GPH1348H21AB	M16 - GPH1348H21AC	M17 - GPH1348H21A	M18 - GPH1360H21AA	M19 - GPH1360H21AB	M20 - GPH1360H21AC
M1 - GPH1324H21AB																							
M2 - GPH1324H21AC																							
M3 - GPH1324H21A																							
M4 - GPH1330H21AB																							
M5 - GPH1330H21AC																							
M6 - GPH1330H21A																							
M7 - GPH1336H21AB																							
M8 - GPH1336H21AC																							
M9 - GPH1336H21AD																							
M10 - GPH1336H21A																							
M11 - GPH1342H21AB																							
M12 - GPH1342H21AC																							
M13 - GPH1342H21AD																							
M14 - GPH1342H21A																							
M15 - GPH1348H21AB																							
M16 - GPH1348H21AC																							
M17 - GPH1348H21A																							
M18 - GPH1360H21AA																							
M19 - GPH1360H21AB																							
M20 - GPH1360H21AC																							
21 0270G00012PS	INSULATED ASSY, CORNER PANEL 32.5" (M7, M8, M9, M10, M11, M12, M13, M14)																						
21 0270G00013PS	INSULATED ASSY, CORNER PANEL 36" (M15, M16, M17, M18, M19, M20)																						
31 0121G00047PDG	CORNER POST 27.5" (M1, M2, M3, M4, M5, M6)																						
31 0121G00048PDG	CORNER POST 32.5" (M7, M8, M9, M10, M11, M12, M13, M14)																						
31 0121G00082PDG	CORNER POST 36" (M15, M16, M17, M18, M19, M20)																						
41 0270G00016PS	INSULATED ASSY, BLOWER DOOR 36" (M15, M17, M18, M19)																						
41 0270G00014PS	INSULATED ASSY, BLOWER DOOR 27.5" (M1, M3, M4, M6)																						
41 0270G00113S	INSULATED ASSY, BLOWER DOOR 27.5" (M2, M5)																						
41 0270G00015PS	INSULATED ASSY, BLOWER DOOR 32.5" (M7, M8, M10, M11, M12, M14)																						
41 0270G00114S	INSULATED ASSY, BLOWER DOOR 32.5" (M9, M13)																						
41 0270G00115S	INSULATED ASSY, BLOWER DOOR 36" (M16, M20)																						
51 0121G00068PDG	EXTERNAL CONTROL BOX PANEL (M1, M3, M4, M6, M7, M8, M10, M11, M12, M14, M15, M17, M18, M19)																						
51 0121G00276DG	EXTERNAL CONTROL BOX PANEL (M2, M5, M9, M13, M16, M20)																						
61 0121G00069PDG	LOUVERED PANEL 4 BANK 27.5" (M1, M2, M3, M4, M5, M6)																						
61 0121G00070PDG	LOUVERED PANEL 4 BANK 32.5" (M7, M8, M9, M10, M11, M12, M13, M14)																						
61 0121G00090PDG	LOUVERED PANEL 4 BANK 36" (M15, M16, M17, M18, M19, M20)																						
71 0121G00072PDG	LOUVERED PANEL 5 BANK 27.5" (M1, M2, M3, M4, M5, M6)																						
71 0121G00073PDG	LOUVERED PANEL 5 BANK 32.5" (M7, M8, M9, M10, M11, M12, M13, M14)																						
71 0121G00091PDG	LOUVERED PANEL 5 BANK 36" (M15, M16, M17, M18, M19, M20)																						
81 0270G00017PS	INSULATED ASSY, EVAP PANEL 27.5" (M1, M2, M3, M4, M5, M6)																						
81 0270G00018PS	INSULATED ASSY, EVAP PANEL 32.5" (M7, M8, M9, M10, M11, M12, M13, M14)																						
81 0270G00019PS	INSULATED ASSY, EVAP PANEL 36" (M15, M16, M17, M18, M19, M20)																						
91 B1392012	GROMMET / HS 1.0 - .79																						
101 0121G00062PDG	COMPRESSOR PANEL 13.68" X 27.50" (M4, M5, M6)																						
101 0121G00063PDG	COMPRESSOR PANEL 13.68" X 32.50" (M7, M8, M9, M10)																						

CHASSIS



TOP VIEW

Image 1

Image 2

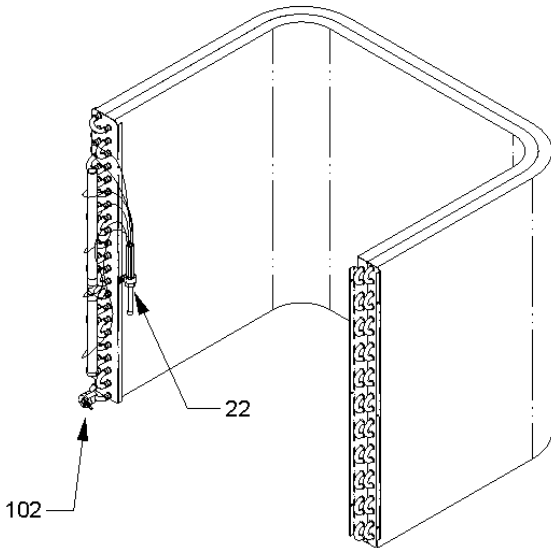
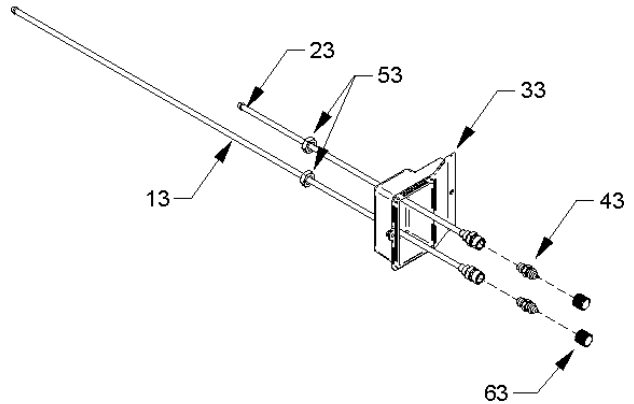


Image 3



CHASSIS

Ref Part No:	Description:	Ref. Part No:	Description:																				
<i>Image 1:</i>		NS B1219204	BI-FLOW FILTER DRIER, STEEL (M1, M2, M3, M5, M6, M9, M10, M13, M14, M16, M17, M18, M19, M20)																				
11 0273G00001P	INSULATED ASSY, BASEPAN (M1, M2, M4, M5, M7, M9, M11, M13, M15, M16, M17, M18, M19, M20)	NS 0121G00043P	EVAP DRIP SHIELD																				
21 0121G00044P	BASEPAN RAIL (M1, M2, M4, M5, M7, M9, M11, M13, M15, M16, M17, M18, M19, M20)	NS 0130M00013	LOW PRESSURE SWITCH OPEN 7°, CLOSE 25°																				
31 0270G00020P	INSULATED ASSY, PARTITION PANEL 27.5" (M3, M4, M6)	<i>Image 2:</i>																					
31 0270G00075	INSULATED ASSY, PARTITION PANEL 27.5" (M1, M2, M5)	22 B2114657	FLOWRATOR (COND) .057 (M4, M5, M6)																				
31 0270G00021P	INSULATED ASSY, PARTITION PANEL 32.5" (M7, M10, M11, M14)	22 B2114459	FLOWRATOR (COND) .059 (M1, M2, M3)																				
31 0270G00076	INSULATED ASSY, PARTITION PANEL 32.5" (M8, M9, M12, M13)	22 B2114665	FLOWRATOR (COND) .065 (M7, M8, M9)																				
31 0270G00022P	INSULATED ASSY, PARTITION PANEL 36" (M15, M17, M18, M19)	22 B2114668	FLOWRATOR (COND) .068 (M10)																				
31 0270G00077	INSULATED ASSY, PARTITION PANEL 36" (M16, M20)	22 0162M00012P	FLOWRATOR (COND) .071 (M15, M16, M17)																				
41 0270G00004PS	DRAIN PAN ASSY	22 B2114872	FLOWRATOR (COND) .072 (M11, M12, M13, M14)																				
51 B2114665	FLOWRATOR (EVAP) .065 (M1, M2, M3)	22 0162M00010P	FLOWRATOR (COND) .080 (M18, M19, M20)																				
51 0162M00008P	FLOWRATOR (EVAP) .067 (M4, M5, M6)	102 0130M00009P	DEFROST THERMOSTAT OPEN 60°, CLOSE 34° (M1, M2, M3, M4, M5, M6)																				
51 0162M00011P	FLOWRATOR (EVAP) .073 (M7, M8, M9, M10)	102 0130M00001P	DEFROST THERMOSTAT OPEN 75°, CLOSE 31° (M7, M8, M9, M10, M11, M12, M13, M14, M15, M16, M17, M18, M19, M20)																				
51 B2114880	FLOWRATOR (EVAP) .080 (M11, M12, M13, M14)	<i>Image 3:</i>																					
51 B2114882	FLOWRATOR (EVAP) .082 (M15, M16)	13 0210G00031P	PROCESS TUBE ASSY-SUCTION																				
51 B2114884	FLOWRATOR (EVAP) .084 (M17)	23 0210G00030P	PROCESS TUBE ASSY-LIQUID																				
51 0162M00020P	FLOWRATOR (EVAP) .090 (M18, M19, M20)	33 0161G00001P	ACCESS FITTING BOX																				
61 0210G00008P	PROCESS TUBING ASSY	43 B1373315	ACCESS FITTING (QTY 2)																				
71 1362700	TUBING ASSY, COND COIL (M1, M2, M3)	53 0163G00000P	FASTEST FITTING NUT (QTY 2)																				
71 1362701	TUBING ASSY, COND COIL (M4, M5, M6)	63 B9102097	CAP W/O-RING (QTY 2)																				
71 1362702	TUBING ASSY, COND COIL (M7, M8, M9, M10)	Expanded Model Nomenclature																					
71 1362703	TUBING ASSY, COND COIL (M11, M12, M13, M14)	<table border="1"> <tr><td>M1 - GPH1324H21AB</td></tr> <tr><td>M2 - GPH1324H21AC</td></tr> <tr><td>M3 - GPH1324H21A</td></tr> <tr><td>M4 - GPH1330H21AB</td></tr> <tr><td>M5 - GPH1330H21AC</td></tr> <tr><td>M6 - GPH1330H21A</td></tr> <tr><td>M7 - GPH1336H21AB</td></tr> <tr><td>M8 - GPH1336H21AC</td></tr> <tr><td>M9 - GPH1336H21AD</td></tr> <tr><td>M10 - GPH1336H21A</td></tr> <tr><td>M11 - GPH1342H21AB</td></tr> <tr><td>M12 - GPH1342H21AC</td></tr> <tr><td>M13 - GPH1342H21AD</td></tr> <tr><td>M14 - GPH1342H21A</td></tr> <tr><td>M15 - GPH1348H21AB</td></tr> <tr><td>M16 - GPH1348H21AC</td></tr> <tr><td>M17 - GPH1348H21A</td></tr> <tr><td>M18 - GPH1360H21AA</td></tr> <tr><td>M19 - GPH1360H21AB</td></tr> <tr><td>M20 - GPH1360H21AC</td></tr> </table>		M1 - GPH1324H21AB	M2 - GPH1324H21AC	M3 - GPH1324H21A	M4 - GPH1330H21AB	M5 - GPH1330H21AC	M6 - GPH1330H21A	M7 - GPH1336H21AB	M8 - GPH1336H21AC	M9 - GPH1336H21AD	M10 - GPH1336H21A	M11 - GPH1342H21AB	M12 - GPH1342H21AC	M13 - GPH1342H21AD	M14 - GPH1342H21A	M15 - GPH1348H21AB	M16 - GPH1348H21AC	M17 - GPH1348H21A	M18 - GPH1360H21AA	M19 - GPH1360H21AB	M20 - GPH1360H21AC
M1 - GPH1324H21AB																							
M2 - GPH1324H21AC																							
M3 - GPH1324H21A																							
M4 - GPH1330H21AB																							
M5 - GPH1330H21AC																							
M6 - GPH1330H21A																							
M7 - GPH1336H21AB																							
M8 - GPH1336H21AC																							
M9 - GPH1336H21AD																							
M10 - GPH1336H21A																							
M11 - GPH1342H21AB																							
M12 - GPH1342H21AC																							
M13 - GPH1342H21AD																							
M14 - GPH1342H21A																							
M15 - GPH1348H21AB																							
M16 - GPH1348H21AC																							
M17 - GPH1348H21A																							
M18 - GPH1360H21AA																							
M19 - GPH1360H21AB																							
M20 - GPH1360H21AC																							
71 1362704	TUBING ASSY, COND COIL (M15, M16, M17)																						
71 1362705	TUBING ASSY, COND COIL (M18, M19, M20)																						
91 0121G00045P	POST 27.5" (M1, M2, M3, M4, M5, M6)																						
91 0121G00079P	POST 32.5" (M7, M8, M9, M10, M11, M12, M13, M14)																						
91 0121G00083P	POST 36" (M15, M16, M17, M18, M19, M20)																						
101 0202G00074PS	EVAP-BRAZE ASSY (M15, M16, M17)																						
101 0202G00075PS	EVAP-BRAZE ASSY (M7, M8, M9, M10)																						
101 0202G00076PS	EVAP-BRAZE ASSY (M18, M19, M20)																						
101 0202G00078PS	EVAP-BRAZE ASSY (M4, M5, M6)																						
101 0202G00079PS	EVAP-BRAZE ASSY (M1, M2, M3)																						
101 0202G00108S	EVAP-BRAZE ASSY (M11, M12, M13, M14)																						
121 B1226206	ACCUMULATOR (M1, M2, M3, M4, M5, M6)																						
121 B1226207	ACCUMULATOR (M7, M8, M9, M10, M11, M12, M13, M14, M15, M16, M17, M18, M19, M20)																						
141 0159G00000P	COIL HARNESS, REVERSING VALVE																						
151 B1227316S	REVERSING VALVE (M1, M2, M3, M4, M5, M6)																						
151 B1227317S	REVERSING VALVE (M7, M8, M9, M10, M11, M12, M13, M14, M15, M16, M17, M18, M19, M20)																						
161 B1225022S	SOLENOID COIL, REVERSING VALVE																						

COMPRESSOR AND TOP PANEL

Image 1

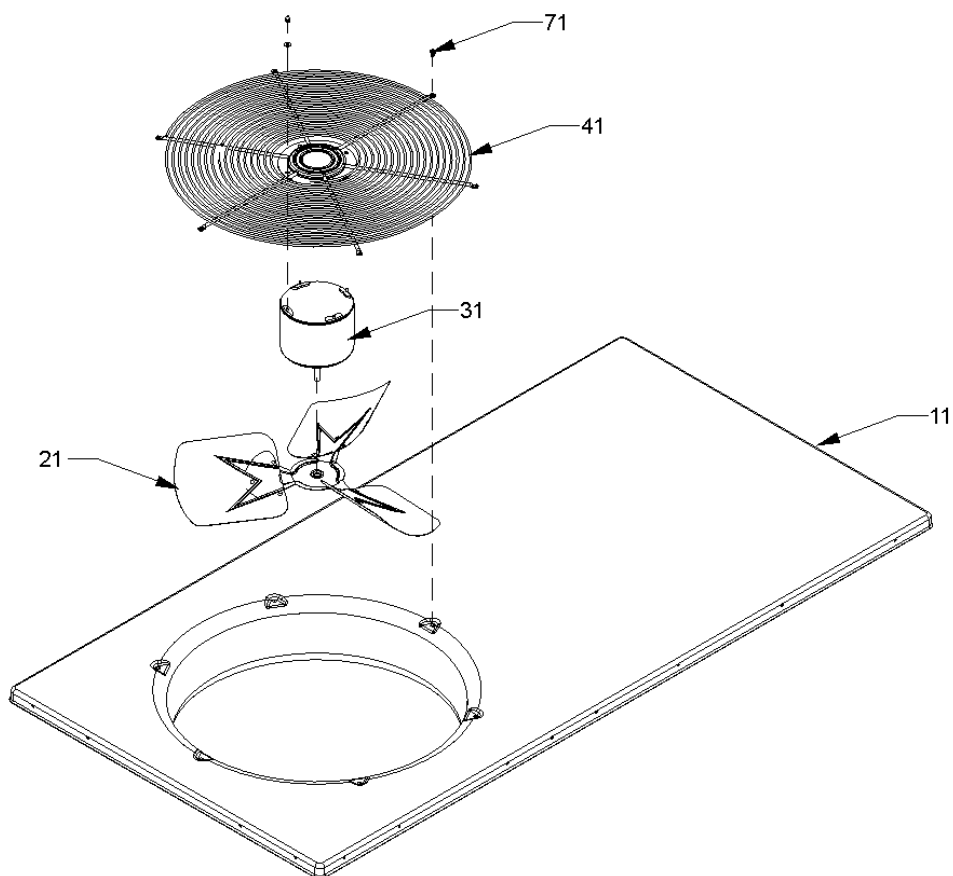


Image 2

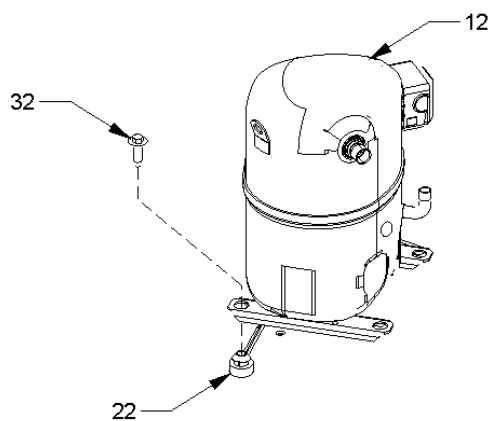
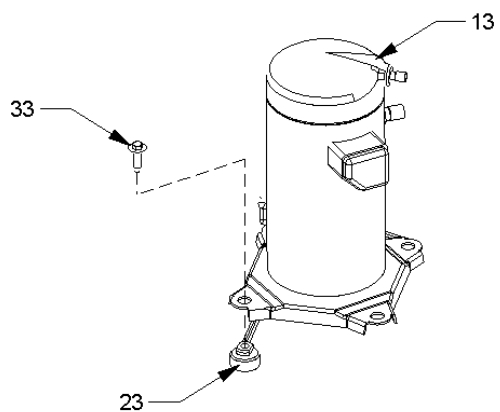


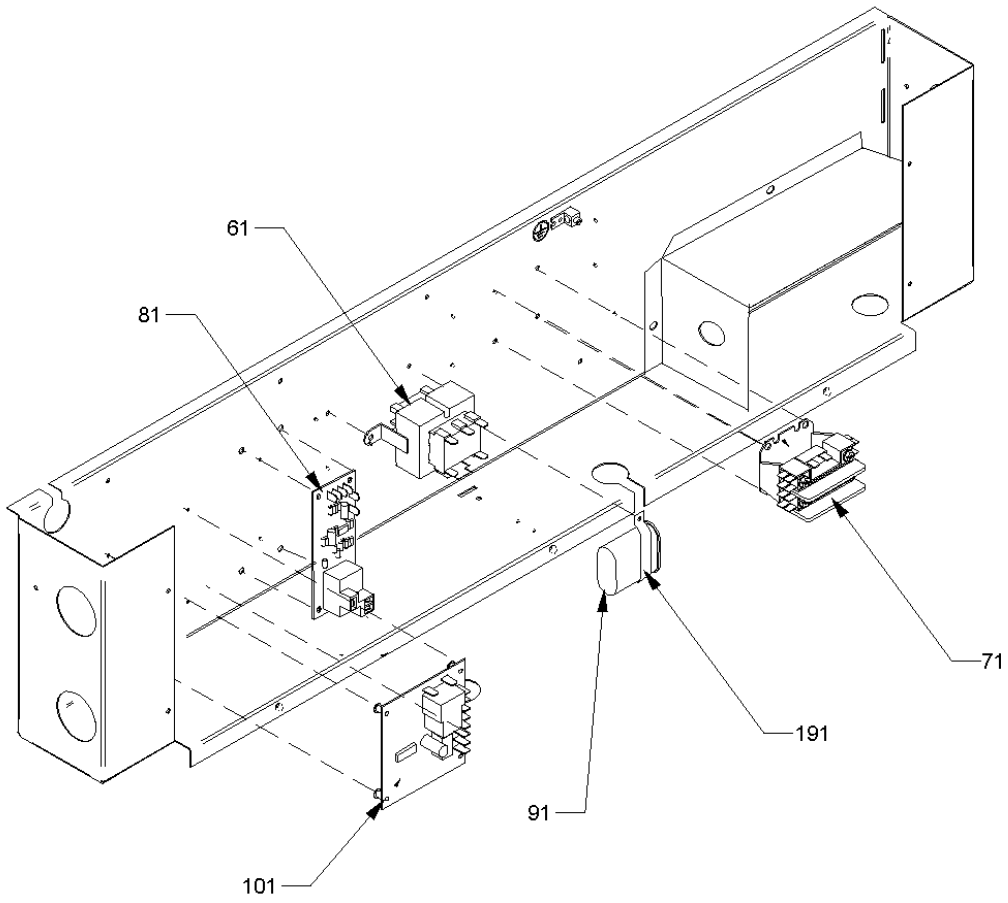
Image 3



COMPRESSOR AND TOP PANEL

Ref Part No:	Description:	Ref. Part No:	Description:
<i>Image 1:</i>		Expanded Model Nomenclature	
11	0274G00003PS	INSULATED ASSY, TOP PANEL (M1, M3, M4, M6, M7, M8, M10, M11, M12, M14, M15, M17, M18, M19)	M1 - GPH1324H21AB
11	0274G00037	INSULATED ASSY, TOP PANEL (M2, M5, M9, M13, M16, M20)	M2 - GPH1324H21AC
21	0150G00001S	FAN BLADE (M15, M16, M17, M18, M19, M20)	M3 - GPH1324H21A
21	B1086775S	FAN BLADE (M1, M2, M3, M4, M5, M6, M7, M10, M11, M14)	M4 - GPH1330H21AB
21	B1086765S	FAN BLADE TYPE 3 (M8, M9, M12, M13)	M5 - GPH1330H21AC
31	0131M00008PS	COND MOTOR 1/3 HP, 1 SP, 6 PL (M15, M16, M17, M18, M19, M20)	M6 - GPH1330H21A
31	0131M00007PS	COND MOTOR 1/4 HP, 1 SP, 8 PL (M7, M10, M11, M14)	M7 - GPH1336H21AB
31	0131M00014PS	COND MOTOR 1/4 HP, 1 SP, 8 PL (M8, M9)	M8 - GPH1336H21AC
31	0131M00061	COND MOTOR 1/4 HP, 1 SP, 8 PL (M12, M13)	M9 - GPH1336H21AD
31	0131M00009PS	COND MOTOR 1/6 HP, 1 SP, 8 PL (M1, M2, M3, M4, M5, M6)	M10 - GPH1336H21A
41	B1376923	FAN GRILL GUARD, LRG	M11 - GPH1342H21AB
71	0163M00006P	ACORN NUT 5/16 HEX BLACK (M1, M2, M5, M9, M13, M16, M20)	M12 - GPH1342H21AC
71	B1783803	ACORN NUT 5/16 HEX YELLOW ZINC (M3, M4, M6, M7, M8, M10, M11, M12, M14, M15, M17, M18, M19)	M13 - GPH1342H21AD
NS	B1778800	CONDUIT-1/2" PVC	M14 - GPH1342H21A
<i>Image 2:</i>			
12	CR23K7PFV930	COMPRESSOR 22600, 208/230/60/1 (M6)	M15 - GPH1348H21AB
12	CR31K7PFV970	COMPRESSOR 30700, 208/230/60/1 (M7, M8, M9, M10)	M16 - GPH1348H21AC
22	B1339530	COMPRESSOR GROMMET (M6, M7, M8, M9, M10)	M17 - GPH1348H21A
32	M0221641	TF SHOULDER SCREW (M6, M7, M8, M9, M10)	M18 - GPH1360H21AA
NS	B1488815S	COMPRESSOR SOUND BLANKET (M7, M8, M9, M10)	M19 - GPH1360H21AB
<i>Image 3:</i>			
13	ZR24K4PFV930	COMPRESSOR 24000, 208/230/60/1 (M1, M2, M3)	M20 - GPH1360H21AC
13	ZR26K3PFV930	COMPRESSOR 26600, 208/230/60/1 (M4, M5)	
13	ZR36K3PFV930	COMPRESSOR 36900, 208/230/60/1 (M11, M12, M13, M14)	
13	ZR42K3PFV930	COMPRESSOR 42800, 208/230/60/1 (M15, M16, M17)	
13	ZR54K3PFV930	COMPRESSOR 55000, 208/230/60/1 (M18, M19, M20)	
23	B1339533	COMPRESSOR GROMMET (M1, M2, M3, M4, M5, M11, M12, M13, M14, M15, M16, M17, M18, M19, M20)	
33	M0221641	TF SHOULDER SCREW (M1, M2, M3, M4, M5, M11, M12, M13, M14, M15, M16, M17, M18, M19, M20)	

CONTROL BOX



CONTROL BOX

Ref Part No:	Description:	Ref. Part No:	Description:
<i>Image 1:</i>		Expanded Model Nomenclature	
11	B1368204	CONNECTOR, 9-PIN, FEMALE, AMP#1-48 (M3, M4, M6, M7, M10, M11, M14, M15, M17, M18, M19)	M1 - GPH1324H21AB
41	CONT1P025024VS	CONTACTOR 25 AMP, 1P, 24 VAC (M2, M5)	M2 - GPH1324H21AC
41	CONT2P025024VS	CONTACTOR 25 AMP, 2P, 24 VAC (M1, M3, M4, M6, M7, M8, M9, M10)	M3 - GPH1324H21A
41	CONT1P030024VS	CONTACTOR 30 AMP, 1P, 24 VAC (M16)	M4 - GPH1330H21AB
41	CONT2P030024VS	CONTACTOR 30 AMP, 2P, 24 VAC (M12, M13)	M5 - GPH1330H21AC
51	CAP050350370RSS	CAPACITOR 5/35/370V (M1, M2)	M6 - GPH1330H21A
51	CAP050350440RSS	CAPACITOR 5/35/440V (M8, M9)	M7 - GPH1336H21AB
51	CAP050400370RSS	CAPACITOR 5/40/370V (M5)	M8 - GPH1336H21AC
51	CAP050500370RTS	CAPACITOR 5/50/370V (M12, M13)	M9 - GPH1336H21AD
51	CAP050600370RTS	CAPACITOR 5/60/370V (M16)	M10 - GPH1336H21A
61	B1141643	TRANSFORMER 208/230, 24V (M1, M2, M3, M4, M5, M6, M7, M8, M9, M10, M11, M12, M13, M14, M15, M16, M17, M18, M19)	M11 - GPH1342H21AB
71	B1360301	CONTACTOR 30 AMP, 150 LRA, 277 VAC (M11, M14, M15, M17)	M12 - GPH1342H21AC
71	CONT2P040024VS	CONTACTOR 40 AMP, 240V (M18, M19)	M13 - GPH1342H21AD
81	B1370751	24V RELAY (M18)	M14 - GPH1342H21A
81	B1368201	CONNECTOR, 9-PIN, MALE, AMP#1-4807 (M4, M7, M11, M15, M18, M19)	M15 - GPH1348H21AB
81	PCBFM103S	RELAY, ELECTRONIC BLOWER TIME DELAY (M1, M2, M3, M4, M5, M6, M7, M8, M9, M10, M11, M12, M13, M14, M15, M16, M17)	M16 - GPH1348H21AC
91	CAP050350370RSS	CAPACITOR 5/35/370V (M3)	M17 - GPH1348H21A
91	CAP050350440RSS	CAPACITOR 5/35/440V (M7, M10)	M18 - GPH1360H21AA
91	CAP050400370RSS	CAPACITOR 5/40/370V (M4, M6)	M19 - GPH1360H21AB
91	CAP050500370RTS	CAPACITOR 5/50/370V (M11, M14)	M20 - GPH1360H21AC
91	CAP050600370RTS	CAPACITOR 5/60/370V (M15, M17)	
91	CAP050800370RTS	CAPACITOR 5/80/370V (M18, M19)	
161	0121M00038	MOTOR MOUNT BAND (M20)	
161	B1376851	MOTOR MOUNT BAND A36-60 (M18, M19)	
171	B1376857	MOTOR MOUNT ARM (M18, M19, M20)	
191	20520901	CAPACITOR STRAP (M1, M2, M3, M4, M5, M6, M7, M8, M9, M10, M11, M12, M13, M14, M15, M16, M17, M18, M19)	
331	0259G00000P	WIRE HARNESS, ELECTRIC HEAT (M3, M6, M10, M14, M17)	
331	0259G00003	WIRE HARNESS, ELECTRIC HEAT (M18, M19)	
331	0259G00005	WIRE HARNESS, ELECTRIC HEAT (M1, M2, M4, M5, M7, M8, M9, M11, M12, M13, M15, M16)	
481	PCBDM101S	DEFROST CONTROL BOARD (M1, M2, M5, M9, M13, M16)	
481	B1226008	DEFROST TIMER (M3, M4, M6, M7, M8, M10, M11, M12, M14, M15, M17, M18, M19)	
561	0130M00014	240 VOLT RELAY (M1, M2, M4, M5, M7, M8, M9, M11, M12, M13, M15, M16)	

BLOWER AND TRANSITION

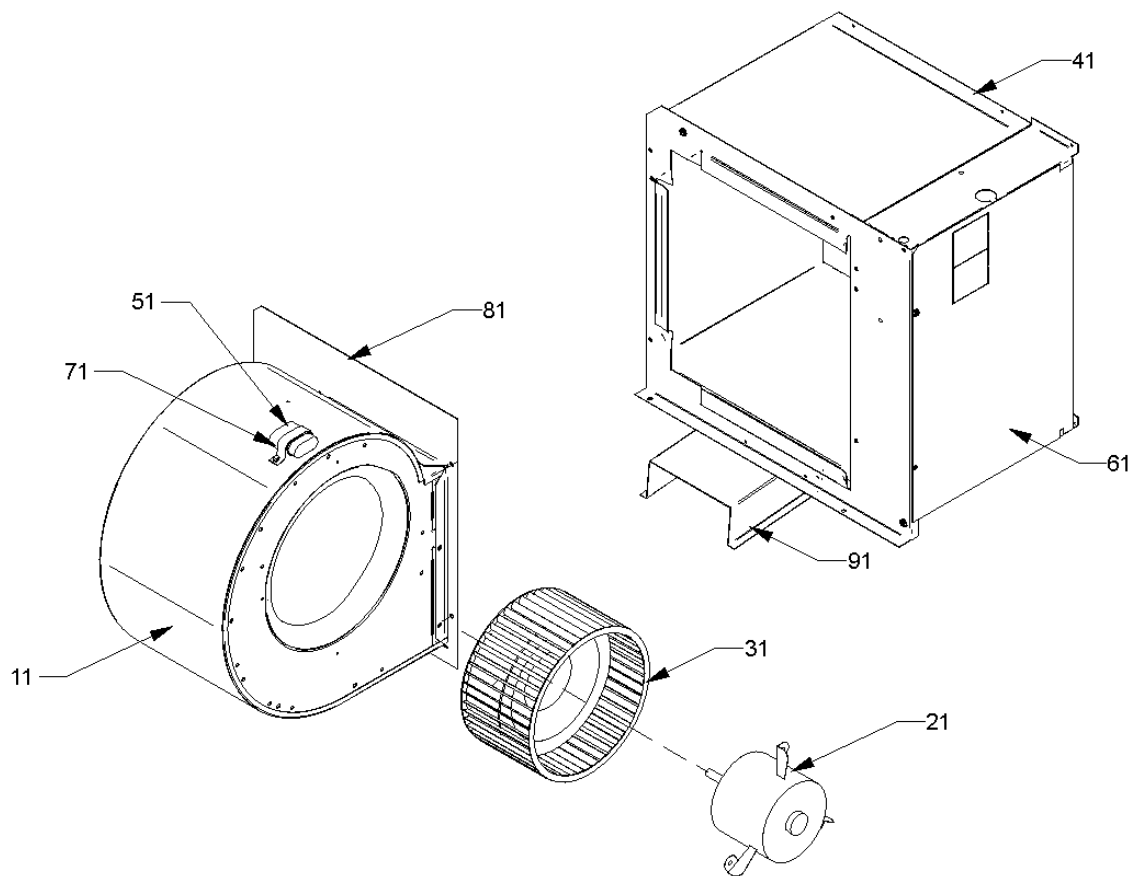
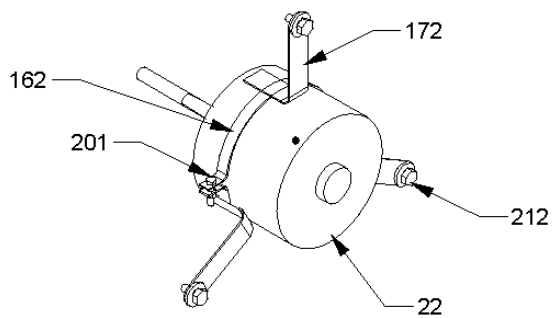


Image 2



BLOWER AND TRANSITION

Ref Part No:	Description:	Ref. Part No:	Description:																				
<i>Image 1:</i>		202 B1393323	MACHINE SCREW HWH 1/4-20X1 1/2 BZ (M18, M19, M20)																				
11 10324248	BLOWER HOUSING ASSY 10 X 8 (M11, M12, M13, M14, M15, M16, M17)	212 B1393527	SCREW, HWH, 14X1-1/2, A, BZ, SLOTTED (M18)																				
11 0271G00017	BLOWER HOUSING ASSY 11 X 8 (M18, M19, M20)	212 M0250565	TC SCREW 1.25" (M19, M20)																				
11 10324246	BLOWER HOUSING ASSY 9 X 6 (M1, M2, M3, M4, M5, M6)	NS B1393800	LOCKNUT, NYLON, INSERT 1/4, 20 (M18, M19, M20)																				
11 10324247	BLOWER HOUSING ASSY 9 X 8 (M7, M8, M9, M10)	Expanded Model Nomenclature																					
21 0131M00010PS	BLOWER MOTOR 1/2 HP, 3 SP, 8 PL (M11, M12, M13, M14, M15, M16, M17)	<table border="1"> <tr><td>M1 - GPH1324H21AB</td></tr> <tr><td>M2 - GPH1324H21AC</td></tr> <tr><td>M3 - GPH1324H21A</td></tr> <tr><td>M4 - GPH1330H21AB</td></tr> <tr><td>M5 - GPH1330H21AC</td></tr> <tr><td>M6 - GPH1330H21A</td></tr> <tr><td>M7 - GPH1336H21AB</td></tr> <tr><td>M8 - GPH1336H21AC</td></tr> <tr><td>M9 - GPH1336H21AD</td></tr> <tr><td>M10 - GPH1336H21A</td></tr> <tr><td>M11 - GPH1342H21AB</td></tr> <tr><td>M12 - GPH1342H21AC</td></tr> <tr><td>M13 - GPH1342H21AD</td></tr> <tr><td>M14 - GPH1342H21A</td></tr> <tr><td>M15 - GPH1348H21AB</td></tr> <tr><td>M16 - GPH1348H21AC</td></tr> <tr><td>M17 - GPH1348H21A</td></tr> <tr><td>M18 - GPH1360H21AA</td></tr> <tr><td>M19 - GPH1360H21AB</td></tr> <tr><td>M20 - GPH1360H21AC</td></tr> </table>		M1 - GPH1324H21AB	M2 - GPH1324H21AC	M3 - GPH1324H21A	M4 - GPH1330H21AB	M5 - GPH1330H21AC	M6 - GPH1330H21A	M7 - GPH1336H21AB	M8 - GPH1336H21AC	M9 - GPH1336H21AD	M10 - GPH1336H21A	M11 - GPH1342H21AB	M12 - GPH1342H21AC	M13 - GPH1342H21AD	M14 - GPH1342H21A	M15 - GPH1348H21AB	M16 - GPH1348H21AC	M17 - GPH1348H21A	M18 - GPH1360H21AA	M19 - GPH1360H21AB	M20 - GPH1360H21AC
M1 - GPH1324H21AB																							
M2 - GPH1324H21AC																							
M3 - GPH1324H21A																							
M4 - GPH1330H21AB																							
M5 - GPH1330H21AC																							
M6 - GPH1330H21A																							
M7 - GPH1336H21AB																							
M8 - GPH1336H21AC																							
M9 - GPH1336H21AD																							
M10 - GPH1336H21A																							
M11 - GPH1342H21AB																							
M12 - GPH1342H21AC																							
M13 - GPH1342H21AD																							
M14 - GPH1342H21A																							
M15 - GPH1348H21AB																							
M16 - GPH1348H21AC																							
M17 - GPH1348H21A																							
M18 - GPH1360H21AA																							
M19 - GPH1360H21AB																							
M20 - GPH1360H21AC																							
21 11091202S	BLOWER MOTOR 1/3 HP, 3 SP, 6 PL (M4, M5, M6, M7, M8, M9, M10)																						
21 11091207S	BLOWER MOTOR 1/4 HP, 3 SP, 8 PL (M1, M2, M3)																						
21 0270G00025PS	TRANSITION DUCT ASSY-ALL (M10, M11, M12, M13, M14, M15, M16, M17, M18, M19, M20)																						
21 0270G00023P	TRANSITION DUCT ASSY-EX1520 (M1, M2, M3)																						
21 0270G00024PS	TRANSITION DUCT ASSY-EX20 (M4, M5, M6, M7, M8, M9)																						
31 B1368016S	BLOWER WHEEL 10 X 8 (M11, M12, M13, M14, M15, M16, M17)																						
31 B1368054	BLOWER WHEEL 11 X 8-CLOCKWISE (M18, M19, M20)																						
31 0150M00000S	BLOWER WHEEL 9 X 6 (M4, M5)																						
31 B1368042S	BLOWER WHEEL 9 X 6 (M1, M2, M3, M6)																						
31 B1368036S	BLOWER WHEEL 9 X 8 (M7, M8, M9, M10)																						
41 C6121802	BLOWER CUT-OFF (M1, M2, M3, M4, M5, M6)																						
41 C6121810	BLOWER CUT-OFF (M7, M8, M9, M10, M11, M12, M13, M14, M15, M16, M17)																						
41 2964700	BLOWER CUT-OFF 11 X 8 (M18, M19, M20)																						
51 CAP100000370VAS	CAPACITOR 10/370V (M1, M2, M3, M4, M5, M6, M7, M8, M9, M10)																						
51 CAP150000370VAS	CAPACITOR 15/370V (M11, M12, M13, M14, M15, M16, M17)																						
61 B821700	CAPACITOR BOOT (M1, M2, M3, M4, M5, M6, M7, M8, M9, M10, M11, M12, M13, M14, M15, M16, M17)																						
61 0121G00039P	HEAT KIT COVER																						
71 20520901	CAPACITOR STRAP (M1, M2, M3, M4, M5, M6, M7, M8, M9, M10, M11, M12, M13, M14, M15, M16, M17, M18, M19)																						
81 0121G00128P	BLOWER MOUNT (M18, M19, M20)																						
81 0121G00035P	BLOWER MOUNT 10 X 8 (M11, M12, M13, M14, M15, M16, M17)																						
81 0121G00033P	BLOWER MOUNT 9 X 6 (M1, M2, M3, M4, M5, M6)																						
81 0121G00034P	BLOWER MOUNT 9 X 8 (M7, M8, M9, M10)																						
91 0121G00040P	BLOWER SUPPORT																						
131 M0250558	TC SCREW (M1, M2, M3, M4, M5, M6, M7, M8, M9, M10, M11, M12, M13, M14, M15, M16, M17)																						
191 20520901	CAPACITOR STRAP (M1, M2, M3, M4, M5, M6, M7, M8, M9, M10, M11, M12, M13, M14, M15, M16, M17, M18, M19)																						
<i>Image 2:</i>																							
22 0231K00039	BLOWER MOTOR 3/4 HP PROGRAMMED X13 (M18)																						
22 0231K00042	BLOWER MOTOR 3/4 HP PROGRAMMED X13 (M19, M20)																						