

4SCU13LE

PRODUCT SPECIFICATIONS

13 SEER SPLIT SYSTEM AIR CONDITIONING

FORM NO. 4SCU13LE-100 (05/2014)



COMPRESSOR

- High-efficiency scroll compressor
- R410a refrigerant
- Grommet-mounted compressor for quiet operation
- Protected against high temperature motor overload conditions
- Heavy-duty compressor sound blanket for quiet operation

CABINET

- Full metal louvered panel coil guard protection that is easily removed for coil cleaning
- Controls located in corner for easy installation and service
- Rounded corners for safety and attractive, clean appearance
- Baked polyester paint finish over galvanized steel for maximum durability
- PVC-coated wire fan discharge grille
- External gauge ports for easy service

COMPONENTS

- Filter drier shipped loose for installation flexibility
- Service valves positioned for quick installation and easy service
- Indoor coil orifice shipped with outdoor unit for optimum efficiency and capacity
- Charged for 15 ft. of line set
- Trade available components
- High and low pressure switches
- Sealed contactor with lugs

COIL

- Enhanced aluminum fins and copper tubing for high efficiency and capacity
- Raised coil prevents debris from collecting in bottom of coil and causing loss of airflow

DESIGN

- Designed for ambients up to 125°F

ACCESSORIES

- Low ambient control
- Thermal expansion valve kits
- Crankcase heater
- Hard start kit
- Time delay
- Short cycle protection
- Freezestat kit

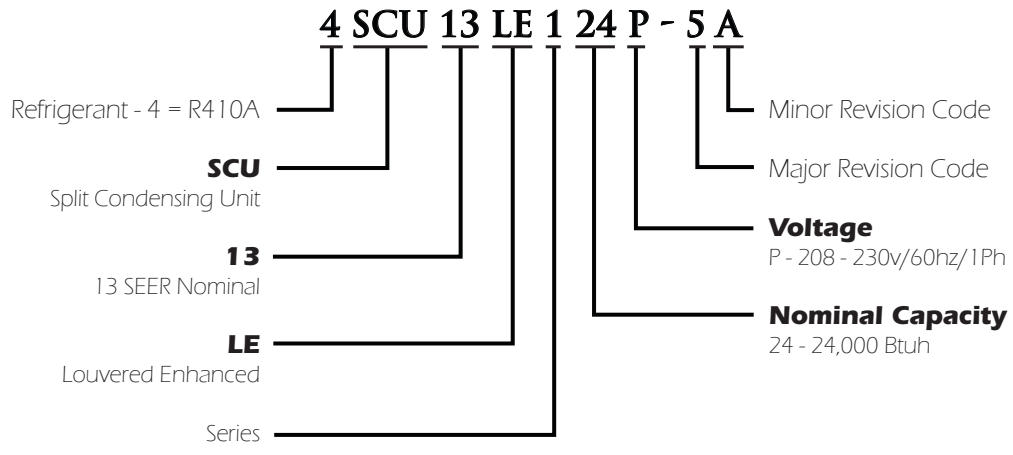
WARRANTY

10 year limited warranty on compressor, 10 year limited warranty on all parts, extended warranty available*

*Warranty provides for a total of 10 years of limited warranty coverage (Standard 5-year limited parts warranty plus an additional 5-year limited extended parts warranty). Warranty must be registered online within 60 days of installation to qualify for 10-year coverage. Unregistered equipment defaults to 5-year coverage. Lifetime limited heat exchanger warranty applies to registered equipment only (Standard 20 years with no online registration). See full warranty at www.alliedair.com for terms, conditions and exclusions.



Model Number Guide



Physical and Electrical

Model	Voltage/Hz/Phase	Voltage Range	Min. Circuit Amp.	Max. Over current Device (amps)	Compressor		Fan Motor			Refrig. Charge+ (oz.)	Shipping Weight (lbs.)
					Rated Load (amps)	Locked Rotor (amps)	Rated Load (amps)	Rated HP	Nom. RPM		
4SCU13LE118P-5	208-230/60/1	197-253	10.9	15	8.1	39	0.7	1/10	1010	62	140
4SCU13LE124P-5	208-230/60/1	197-253	14.1	20	10.7	53	0.7	1/10	1010	70	137
4SCU13LE130P-5	208-230/60/1	197-253	15.6	25	11.6	59	1.1	1/5	1090	82	149
4SCU13LE136P-5	208-230/60/1	197-253	20.1	35	15.2	70	1.1	1/5	1090	84	157
4SCU13LE142P-5	208-230/60/1	197-253	28.1	45	21.1	90	1.7	1/4	825	104	201
4SCU13LE148P-5	208-230/60/1	197-253	31.9	50	24.1	100	1.7	1/4	825	124	204
4SCU13LE160P-5	208-230/60/1	197-253	29.4	50	22.1	125	1.7	1/4	830	144	231

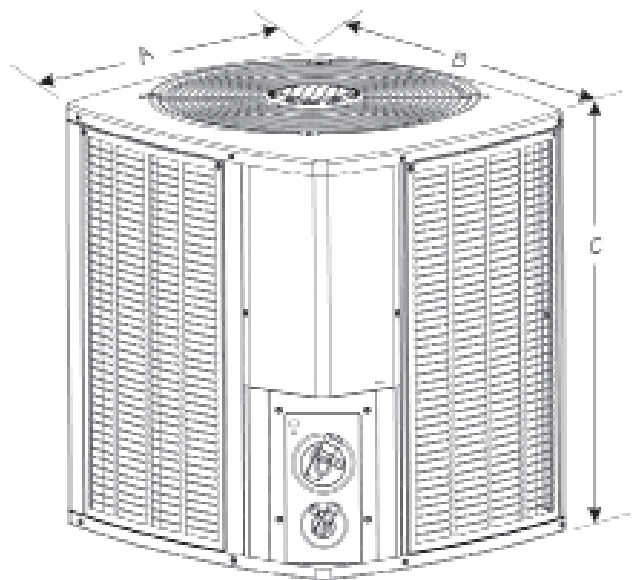
Note:
Weights listed are unit weights with packaging

+ Factory charged for 15 feet ofline set. Adjust per installation instructions.

Dimensions (in.) & Sound Ratings

Model No.	Dimensions			Sound Rating dBA
	A - width	B - depth	C - Height	
4SCU13LE118P-5	24.75	26.75	25.75	72
4SCU13LE124P-5	24.75	26.75	25.75	72
4SCU13LE130P-5	24.75	26.75	29.75	74
4SCU13LE136P-5	24.75	26.75	29.75	74
4SCU13LE142P-5	29.38	31.25	29.75	76
4SCU13LE148P-5	29.38	31.25	33.75	77
4SCU13LE160P-5	29.38	31.25	29.75	78

Note:
Dimensions listed are unit sizes w/o packaging



Cooling Performance with Evaporator Coils

Outdoor Model	Indoor Model	SEER	EER	Rated Sensible Capacity ¹ BTUH	Rated Sensible Capacity BTUH	CFM	Refrigerant Connection				Refrigerant Line Size		Indoor Expansion Device	
	Evaporator Coil ³ or Air Handler ³						Outdoor		Indoor		Suction	Liquid	Piston ²	TXV
							Suction	Liquid	Suction	Liquid				
4SCU13LE118P-5	E*1P23(A,B)	13.0	11.0	17,600	12,800	650	5/8	3/8	3/4	3/8	5/8 ⁵	1/4 ⁴	0.053	A4TXV01
	E*1P24(A,B)	13.0	11.0	17,600	12,800	650	5/8	3/8	3/4	3/8	5/8 ⁵	1/4 ⁴	0.053	A4TXV01
	E*1P29(A,B)	13.0	11.0	17,600	12,800	650	5/8	3/8	3/4	3/8	5/8 ⁵	1/4 ⁴	0.053	A4TXV01
4SCU13LE124P-5	E*1P23(A,B)	13.0	11.0	22,800	16,800	800	5/8	3/8	3/4	3/8	5/8 ⁵	1/4 ⁴	0.057	A4TXV01
	E*1P24(A,B)	13.0	11.0	22,800	16,800	800	5/8	3/8	3/4	3/8	5/8 ⁵	1/4 ⁴	0.057	A4TXV01
	E*1P29(A,B)	13.0	11.0	22,800	16,800	800	5/8	3/8	3/4	3/8	5/8 ⁵	1/4 ⁴	0.057	A4TXV01
4SCU13LE130P-5	E(U,C,M,H)1P29A,B	13.0	10.5	28,000	20,400	1000	3/4	3/8	3/4	3/8	3/4	3/8	0.063	A4TXV01
	E(U,C,M,H)1P36A,B,C	13.0	10.5	28,000	20,400	1000	3/4	3/8	3/4	3/8	3/4	3/8	0.063	A4TXV01
	E*1P23(A,B)	13.0	10.5	28,000	20,400	1000	3/4	3/8	3/4	3/8	3/4	3/8	0.063	A4TXV01
	E*1P24(A,B)	13.0	10.5	28,000	20,400	1000	3/4	3/8	3/4	3/8	3/4	3/8	0.063	A4TXV01
4SCU13LE136P-5	E*1P36(B,C)	13.0	10.5	34,000	25,000	1200	3/4	3/8	3/4	3/8	3/4 ⁶	3/8	0.072	A4TXV01
	E*1P43(B,C)	13.0	10.5	34,000	25,000	1200	3/4	3/8	7/8	3/8	3/4 ⁶	3/8	0.072	A4TXV01
	E*1P50C	13.0	10.5	34,000	25,000	1200	3/4	3/8	7/8	3/8	3/4 ⁶	3/8	0.072	A4TXV01
4SCU13LE142P-5	E*1P43C	13.0	10.5	40,000	29,200	1400	3/4	3/8	7/8	3/8	3/4 ⁶	3/8	0.075	A4TXV01
	E*1P49C	13.0	10.5	40,000	29,200	1400	3/4	3/8	7/8	3/8	3/4 ⁶	3/8	0.075	A4TXV01
	E*1P50C	13.0	10.5	40,000	29,200	1400	3/4	3/8	7/8	3/8	3/4 ⁶	3/8	0.075	A4TXV01
4SCU13LE148P-5	E*1P49C	13.0	11.0	47,000	34,300	1600	7/8	3/8	7/8	3/8	7/8	3/8	0.082	A4TXV02
	E*1P62C	13.0	11.0	47,000	34,300	1600	7/8	3/8	7/8	3/8	7/8	3/8	0.082	A4TXV02
	E*1P62D	13.0	11.0	47,000	34,300	1600	7/8	3/8	7/8	3/8	7/8	3/8	0.082	A4TXV02
4SCU13LE160P-5	E*1P49C	13.0	10.5	57,000	41,000	1800	7/8	3/8	7/8	3/8	7/8 ⁷	3/8	0.09	A4TXV02
	E*1P62C	13.0	11.0	57,000	41,000	1800	7/8	3/8	7/8	3/8	7/8 ⁷	3/8	0.09	A4TXV02
	E*1P62D	13.0	11.0	57,000	41,000	1800	7/8	3/8	7/8	3/8	7/8 ⁷	3/8	0.09	A4TXV02

Note:
 1 Certified in accordance with Unitary Air Conditioner Certification Program, which is based on AHRI Standard 210/240
 2 Required to achieve AHRI rating. If NA (Not Applicable) is in the piston column, then TXV is required.
 3 A blower time delay relay is required to achieve AHRI rating. This feature is standard on all Allied Air Enterprises furnace and AH products.
 4 For lines 25 ft or over, use 3/8"
 5 For lines 25 ft or over, use 3/4"
 6 For lines 25 ft or over, use 7/8"
 7 For lines 25 ft or over, use 1-1/8"

Cooling Performance with Air Handlers and Furnaces 18

Outdoor Model	Indoor Model	Variable Speed Furnace	SEER	EER	Rated ARI Capacity ¹ BTUH	Rated Sensible Capacity BTUH	CFM	Refrigerant Connection				Refrigerant Line Size		Indoor Expansion Device	
	Evaporator Coil ³ or Air Handler ³							Outdoor		Indoor		Suction	Liquid	Piston ²	TXV
								Suction	Liquid	Suction	Liquid				
4SCU13LE118P-5	BCE3M18C****P		13.0	11.0	17,600	12,800	650	5/8	3/8	3/4	3/8	5/8 ⁵	1/4 ⁴	0.053	A4TXV01
	BCS2M245++++P		14.0	12.0	17,600	12,800	650	5/8	3/8	3/4	3/8	5/8 ⁵	1/4 ⁴	0.053	A4TXV01
	BCS2M24V++++P		14.0	12.0	17,600	12,800	650	5/8	3/8	3/4	3/8	5/8 ⁵	1/4 ⁴	0.053	A4TXV01
	BCE3M24E****X		14.0	11.0	17,600	12,800	650	5/8	3/8	3/4	3/8	5/8 ⁵	1/4 ⁴	NA	FACTORY INSTALLED A4TXV01
	E*1P23A	A80DF1E045A12	13.5	11.0	17,600	12,800	650	5/8	3/8	3/4	3/8	5/8 ⁵	1/4 ⁴	0.053	A4TXV01
	E*1P24A	A80DF1E045A12	14.0	12.0	17,600	12,800	650	5/8	3/8	3/4	3/8	5/8 ⁵	1/4 ⁴	0.053	A4TXV01
	E*1P29A	A80DF1E045A12	14.0	12.0	17,600	12,800	650	5/8	3/8	3/4	3/8	5/8 ⁵	1/4 ⁴	0.053	A4TXV01
	E*1P23B	A80DF1E070B12	14.0	12.0	17,600	12,800	650	5/8	3/8	3/4	3/8	5/8 ⁵	1/4 ⁴	0.053	A4TXV01
	E*1P24B	A80DF1E070B12	14.0	12.0	17,600	12,800	650	5/8	3/8	3/4	3/8	5/8 ⁵	1/4 ⁴	0.053	A4TXV01
	E*1P29B	A80DF1E070B12	14.0	12.0	17,600	12,800	650	5/8	3/8	3/4	3/8	5/8 ⁵	1/4 ⁴	0.053	A4TXV01
	E*1P23A	A80DF2V070A12	14.0	12.0	17,600	12,800	650	5/8	3/8	3/4	3/8	5/8 ⁵	1/4 ⁴	0.053	A4TXV01
	E*1P24A	A80DF2V070A12	14.0	12.0	17,600	12,800	650	5/8	3/8	3/4	3/8	5/8 ⁵	1/4 ⁴	0.053	A4TXV01
	E*1P29A	A80DF2V070A12	14.0	12.0	17,600	12,800	650	5/8	3/8	3/4	3/8	5/8 ⁵	1/4 ⁴	0.053	A4TXV01
	E*1P23A	A80DS2V070A12	14.0	12.0	17,600	12,800	650	5/8	3/8	3/4	3/8	5/8 ⁵	1/4 ⁴	0.053	A4TXV01
	E*1P24A	A80DS2V070A12	14.0	12.0	17,600	12,800	650	5/8	3/8	3/4	3/8	5/8 ⁵	1/4 ⁴	0.053	A4TXV01
	E*1P29A	A80DS2V070A12	14.0	12.0	17,600	12,800	650	5/8	3/8	3/4	3/8	5/8 ⁵	1/4 ⁴	0.053	A4TXV01
	E*1P23A	A80UH1E045A12*	14.0	12.0	17,600	12,800	650	5/8	3/8	3/4	3/8	5/8 ⁵	1/4 ⁴	0.053	A4TXV01
	E*1P24A	A80UH1E045A12*	14.0	12.0	17,600	12,800	650	5/8	3/8	3/4	3/8	5/8 ⁵	1/4 ⁴	0.053	A4TXV01
	E*1P29A	A80UH1E045A12*	14.0	12.0	17,600	12,800	650	5/8	3/8	3/4	3/8	5/8 ⁵	1/4 ⁴	0.053	A4TXV01
	E*1P23B	A80UH1E070B12*	14.0	12.0	17,600	12,800	650	5/8	3/8	3/4	3/8	5/8 ⁵	1/4 ⁴	0.053	A4TXV01
	E*1P24B	A80UH1E070B12*	14.0	12.0	17,600	12,800	650	5/8	3/8	3/4	3/8	5/8 ⁵	1/4 ⁴	0.053	A4TXV01
	E*1P29B	A80UH1E070B12*	14.0	12.0	17,600	12,800	650	5/8	3/8	3/4	3/8	5/8 ⁵	1/4 ⁴	0.053	A4TXV01
	E*1P23A	A80UH2V070A12	14.0	12.0	17,600	12,800	650	5/8	3/8	3/4	3/8	5/8 ⁵	1/4 ⁴	0.053	A4TXV01
	E*1P24A	A80UH2V070A12	14.0	12.0	17,600	12,800	650	5/8	3/8	3/4	3/8	5/8 ⁵	1/4 ⁴	0.053	A4TXV01
	E*1P29A	A80UH2V070A12	14.0	12.0	17,600	12,800	650	5/8	3/8	3/4	3/8	5/8 ⁵	1/4 ⁴	0.053	A4TXV01
	E*1P23B	A80UH2V090B12	14.0	12.0	17,600	12,800	650	5/8	3/8	3/4	3/8	5/8 ⁵	1/4 ⁴	0.053	A4TXV01
	E*1P24B	A80UH2V090B12	14.0	12.0	17,600	12,800	650	5/8	3/8	3/4	3/8	5/8 ⁵	1/4 ⁴	0.053	A4TXV01
	E*1P29B	A80UH2V090B12	14.0	12.0	17,600	12,800	650	5/8	3/8	3/4	3/8	5/8 ⁵	1/4 ⁴	0.053	A4TXV01
	E*1P23B	A80UH2V090B16	14.0	12.0	17,600	12,800	650	5/8	3/8	3/4	3/8	5/8 ⁵	1/4 ⁴	0.053	A4TXV01
	E*1P24B	A80UH2V090B16	14.0	12.0	17,600	12,800	650	5/8	3/8	3/4	3/8	5/8 ⁵	1/4 ⁴	0.053	A4TXV01
	E*1P29B	A80UH2V090B16	14.0	12.0	17,600	12,800	650	5/8	3/8	3/4	3/8	5/8 ⁵	1/4 ⁴	0.053	A4TXV01
	E*1P23A	A80US2V070A12	14.0	12.0	17,600	12,800	650	5/8	3/8	3/4	3/8	5/8 ⁵	1/4 ⁴	0.053	A4TXV01

Note:
 1 Certified in accordance with Unitary Air Conditioner Certification Program, which is based on AHRI Standard 210/240
 2 Required to achieve AHRI rating. If NA (Not Applicable) is in the piston column, then TXV is required.
 3 A blower time delay relay is required to achieve AHRI rating. This feature is standard on all Allied Air Enterprises furnace and AH products.
 4 For lines 25 ft or over, use 3/8"
 5 For lines 25 ft or over, use 3/4"
 6 For lines 25 ft or over, use 7/8"
 7 For lines 25 ft or over, use 1-1/8"

Cooling Performance with Air Handlers and Furnaces 18

Outdoor Model	Indoor Model	Variable Speed Furnace	SEER	EER	Rated ARI Capacity ¹ BTUH	Rated Sensible Capacity BTUH	CFM	Refrigerant Connection				Refrigerant Line Size		Indoor Expansion Device	
	Evaporator Coil ³ or Air Handler ³							Outdoor		Indoor		Suction	Liquid	Piston ²	TXV
								Suction	Liquid	Suction	Liquid				
4SCU13LE118P-5	E*1P24A	A80US2V070A12	14.0	12.0	17,600	12,800	650	5/8	3/8	3/4	3/8	5/8 ⁵	1/4 ⁴	0.053	A4TXV01
	E*1P29A	A80US2V070A12	14.0	12.0	17,600	12,800	650	5/8	3/8	3/4	3/8	5/8 ⁵	1/4 ⁴	0.053	A4TXV01
	E*1P23B	A80US2V090B12	14.0	12.0	17,600	12,800	650	5/8	3/8	3/4	3/8	5/8 ⁵	1/4 ⁴	0.053	A4TXV01
	E*1P24B	A80US2V090B12	14.0	12.0	17,600	12,800	650	5/8	3/8	3/4	3/8	5/8 ⁵	1/4 ⁴	0.053	A4TXV01
	E*1P29B	A80US2V090B12	14.0	12.0	17,600	12,800	650	5/8	3/8	3/4	3/8	5/8 ⁵	1/4 ⁴	0.053	A4TXV01
	E*1P23B	A80US2V090B16	14.0	12.0	17,600	12,800	650	5/8	3/8	3/4	3/8	5/8 ⁵	1/4 ⁴	0.053	A4TXV01
	E*1P24B	A80US2V090B16	14.0	12.0	17,600	12,800	650	5/8	3/8	3/4	3/8	5/8 ⁵	1/4 ⁴	0.053	A4TXV01
	E*1P29B	A80US2V090B16	14.0	12.0	17,600	12,800	650	5/8	3/8	3/4	3/8	5/8 ⁵	1/4 ⁴	0.053	A4TXV01
	E*1P23B	A95DF1E045B12S	13.5	11.0	17,600	12,800	650	5/8	3/8	3/4	3/8	5/8 ⁵	1/4 ⁴	0.053	A4TXV01
	E*1P24B	A95DF1E045B12S	13.5	11.0	17,600	12,800	650	5/8	3/8	3/4	3/8	5/8 ⁵	1/4 ⁴	0.053	A4TXV01
	E*1P29B	A95DF1E045B12S	13.5	11.0	17,600	12,800	650	5/8	3/8	3/4	3/8	5/8 ⁵	1/4 ⁴	0.053	A4TXV01
	E*1P23B	A95DF2V045B12S	14.0	12.0	17,600	12,800	650	5/8	3/8	3/4	3/8	5/8 ⁵	1/4 ⁴	0.053	A4TXV01
	E*1P24B	A95DF2V045B12S	14.0	12.0	17,600	12,800	650	5/8	3/8	3/4	3/8	5/8 ⁵	1/4 ⁴	0.053	A4TXV01
	E*1P29B	A95DF2V045B12S	14.0	12.0	17,600	12,800	650	5/8	3/8	3/4	3/8	5/8 ⁵	1/4 ⁴	0.053	A4TXV01
	E*1P23B	A95UH1E045B12S	13.5	11.0	17,600	12,800	650	5/8	3/8	3/4	3/8	5/8 ⁵	1/4 ⁴	0.053	A4TXV01
	E*1P24B	A95UH1E045B12S	13.5	11.0	17,600	12,800	650	5/8	3/8	3/4	3/8	5/8 ⁵	1/4 ⁴	0.053	A4TXV01
	E*1P29B	A95UH1E045B12S	14.0	12.0	17,600	12,800	650	5/8	3/8	3/4	3/8	5/8 ⁵	1/4 ⁴	0.053	A4TXV01
	E*1P23B	A95UH1E070B12S	14.0	12.0	17,600	12,800	650	5/8	3/8	3/4	3/8	5/8 ⁵	1/4 ⁴	0.053	A4TXV01
	E*1P24B	A95UH1E070B12S	14.0	12.0	17,600	12,800	650	5/8	3/8	3/4	3/8	5/8 ⁵	1/4 ⁴	0.053	A4TXV01
	E*1P29B	A95UH1E070B12S	14.0	12.0	17,600	12,800	650	5/8	3/8	3/4	3/8	5/8 ⁵	1/4 ⁴	0.053	A4TXV01
	E*1P23B	A95UH2V045B12S	14.0	12.0	17,600	12,800	650	5/8	3/8	3/4	3/8	5/8 ⁵	1/4 ⁴	0.053	A4TXV01
	E*1P24B	A95UH2V045B12S	14.0	12.0	17,600	12,800	650	5/8	3/8	3/4	3/8	5/8 ⁵	1/4 ⁴	0.053	A4TXV01
	E*1P29B	A95UH2V045B12S	14.0	12.0	17,600	12,800	650	5/8	3/8	3/4	3/8	5/8 ⁵	1/4 ⁴	0.053	A4TXV01
	E*1P23B	A95UH2V070B12S	14.0	12.0	17,600	12,800	650	5/8	3/8	3/4	3/8	5/8 ⁵	1/4 ⁴	0.053	A4TXV01
	E*1P24B	A95UH2V070B12S	14.0	12.0	17,600	12,800	650	5/8	3/8	3/4	3/8	5/8 ⁵	1/4 ⁴	0.053	A4TXV01
	E*1P29B	A95UH2V070B12S	14.0	12.0	17,600	12,800	650	5/8	3/8	3/4	3/8	5/8 ⁵	1/4 ⁴	0.053	A4TXV01
	E*1P23B	A97DSMV070B12*	14.0	12.0	17,600	12,800	650	5/8	3/8	3/4	3/8	5/8 ⁵	1/4 ⁴	0.053	A4TXV01
	E*1P24B	A97DSMV070B12*	14.0	12.0	17,600	12,800	650	5/8	3/8	3/4	3/8	5/8 ⁵	1/4 ⁴	0.053	A4TXV01
	E*1P29B	A97DSMV070B12*	14.0	12.0	17,600	12,800	650	5/8	3/8	3/4	3/8	5/8 ⁵	1/4 ⁴	0.053	A4TXV01
	E*1P23B	A97USMV070B12*	14.0	12.0	17,600	12,800	650	5/8	3/8	3/4	3/8	5/8 ⁵	1/4 ⁴	0.053	A4TXV01
E*1P24B	A97USMV070B12*	14.0	12.0	17,600	12,800	650	5/8	3/8	3/4	3/8	5/8 ⁵	1/4 ⁴	0.053	A4TXV01	

Note:
 1 Certified in accordance with Unitary Air Conditioner Certification Program, which is based on AHRI Standard 210/240
 2 Required to achieve AHRI rating. If NA (Not Applicable) is in the piston column, then TXV is required.
 3 A blower time delay relay is required to achieve AHRI rating. This feature is standard on all Allied Air Enterprises Furnace and AH products.
 4 For lines 25 ft or over, use 3/8"
 5 For lines 25 ft or over, use 3/4"
 6 For lines 25 ft or over, use 7/8"
 7 For lines 25 ft or over, use 1-1/8"

Cooling Performance with Air Handlers and Furnaces 18, 24

Outdoor Model	Indoor Model	Variable Speed Furnace	SEER	EER	Rated ARI Capacity ¹ BTUH	Rated Sensible Capacity BTUH	CFM	Refrigerant Connection				Refrigerant Line Size		Indoor Expansion Device	
	Evaporator Coil ³ or Air Handler ³							Outdoor		Indoor		Suction	Liquid	Piston ²	TXV
								Suction	Liquid	Suction	Liquid				
4SCU13LE118P-5	E*1P29B	A97USMV070B12*	14.0	12.0	17,600	12,800	650	5/8	3/8	3/4	3/8	5/8 ⁵	1/4 ⁴	0.053	A4TXV01
	E*1P23B	EFV08BC	14.0	12.0	17,600	12,800	650	5/8	3/8	3/4	3/8	5/8 ⁵	1/4 ⁴	0.053	A4TXV01
	E*1P24B	EFV08BC	14.0	12.0	17,600	12,800	650	5/8	3/8	3/4	3/8	5/8 ⁵	1/4 ⁴	0.053	A4TXV01
	E*1P29B	EFV08BC	14.0	12.0	17,600	12,800	650	5/8	3/8	3/4	3/8	5/8 ⁵	1/4 ⁴	0.053	A4TXV01
4SCU13LE124P-5	BCE3M24C****P		13.0	11.0	22,800	16,800	800	5/8	3/8	3/4	3/8	5/8 ⁵	1/4 ⁴	0.057	A4TXV01
	BCS2M24S++++P		14.0	12.0	22,800	16,800	800	5/8	3/8	3/4	3/8	5/8 ⁵	1/4 ⁴	0.057	A4TXV01
	BCS2M24V++++P		14.0	12.0	22,800	16,800	800	5/8	3/8	3/4	3/8	5/8 ⁵	1/4 ⁴	0.057	A4TXV01
	BCE3M30E****X		14.0	11.0	22,800	16,800	800	5/8	3/8	3/4	3/8	5/8 ⁵	1/4 ⁴	NA	FACTORY INSTALLED A4TXV01
	E*1P23A	A80DF1E045A12	14.0	12.0	22,800	16,800	800	5/8	3/8	3/4	3/8	5/8 ⁵	1/4 ⁴	0.057	A4TXV01
	E*1P24A	A80DF1E045A12	13.5	11.0	22,800	16,800	800	5/8	3/8	3/4	3/8	5/8 ⁵	1/4 ⁴	0.057	A4TXV01
	E*1P29A	A80DF1E045A12	13.5	11.0	22,800	16,800	800	5/8	3/8	3/4	3/8	5/8 ⁵	1/4 ⁴	0.057	A4TXV01
	E*1P30A	A80DF1E045A12	13.5	11.0	22,800	16,800	800	5/8	3/8	3/4	3/8	5/8 ⁵	1/4 ⁴	0.057	A4TXV01
	E*1P36A	A80DF1E045A12	13.5	11.0	22,800	16,800	800	5/8	3/8	3/4	3/8	5/8 ⁵	1/4 ⁴	0.057	A4TXV01
	E*1P29B	A80DF1E070B12	13.5	11.0	22,800	16,800	800	5/8	3/8	3/4	3/8	5/8 ⁵	1/4 ⁴	0.057	A4TXV01
	E*1P30B	A80DF1E070B12	13.5	11.0	22,800	16,800	800	5/8	3/8	3/4	3/8	5/8 ⁵	1/4 ⁴	0.057	A4TXV01
	E*1P36B	A80DF1E070B12	13.5	11.0	22,800	16,800	800	5/8	3/8	3/4	3/8	5/8 ⁵	1/4 ⁴	0.057	A4TXV01
	E*1P23A	A80DF2V070A12	14.0	12.0	22,800	16,800	800	5/8	3/8	3/4	3/8	5/8 ⁵	1/4 ⁴	0.057	A4TXV01
	E*1P24A	A80DF2V070A12	13.5	11.0	22,800	16,800	800	5/8	3/8	3/4	3/8	5/8 ⁵	1/4 ⁴	0.057	A4TXV01
	E*1P29A	A80DF2V070A12	14.0	12.0	22,800	16,800	800	5/8	3/8	3/4	3/8	5/8 ⁵	1/4 ⁴	0.057	A4TXV01
	E*1P30A	A80DF2V070A12	14.0	12.0	22,800	16,800	800	5/8	3/8	3/4	3/8	5/8 ⁵	1/4 ⁴	0.057	A4TXV01
	E*1P36A	A80DF2V070A12	14.0	12.0	22,800	16,800	800	5/8	3/8	3/4	3/8	5/8 ⁵	1/4 ⁴	0.057	A4TXV01
	E*1P23B	A80DF2V090B16	14.0	12.0	22,800	16,800	800	5/8	3/8	3/4	3/8	5/8 ⁵	1/4 ⁴	0.057	A4TXV01
	E*1P24B	A80DF2V090B16	13.5	11.0	22,800	16,800	800	5/8	3/8	3/4	3/8	5/8 ⁵	1/4 ⁴	0.057	A4TXV01
	E*1P29B	A80DF2V090B16	14.0	12.0	22,800	16,800	800	5/8	3/8	3/4	3/8	5/8 ⁵	1/4 ⁴	0.057	A4TXV01
	E*1P30B	A80DF2V090B16	14.0	12.0	22,800	16,800	800	5/8	3/8	3/4	3/8	5/8 ⁵	1/4 ⁴	0.057	A4TXV01
	E*1P36B	A80DF2V090B16	14.0	12.0	22,800	16,800	800	5/8	3/8	3/4	3/8	5/8 ⁵	1/4 ⁴	0.057	A4TXV01
	E*1P23A	A80DS2V070A12	14.0	12.0	22,800	16,800	800	5/8	3/8	3/4	3/8	5/8 ⁵	1/4 ⁴	0.057	A4TXV01
	E*1P24A	A80DS2V070A12	13.5	11.0	22,800	16,800	800	5/8	3/8	3/4	3/8	5/8 ⁵	1/4 ⁴	0.057	A4TXV01
	E*1P29A	A80DS2V070A12	14.0	12.0	22,800	16,800	800	5/8	3/8	3/4	3/8	5/8 ⁵	1/4 ⁴	0.057	A4TXV01
	E*1P30A	A80DS2V070A12	14.0	12.0	22,800	16,800	800	5/8	3/8	3/4	3/8	5/8 ⁵	1/4 ⁴	0.057	A4TXV01
	E*1P36A	A80DS2V070A12	14.0	12.0	22,800	16,800	800	5/8	3/8	3/4	3/8	5/8 ⁵	1/4 ⁴	0.057	A4TXV01
	E*1P23B	A80DS2V090B16	14.0	12.0	22,800	16,800	800	5/8	3/8	3/4	3/8	5/8 ⁵	1/4 ⁴	0.057	A4TXV01

Note:
 1 Certified in accordance with Unitary Air Conditioner Certification Program, which is based on AHRI Standard 210/240
 2 Required to achieve AHRI rating. If NA (Not Applicable) is in the piston column, then TXV is required.
 3 A blower time delay relay is required to achieve AHRI rating. This feature is standard on all Allied Air Enterprises furnace and AH products.
 4 For lines 25 ft or over, use 3/8"
 5 For lines 25 ft or over, use 3/4"
 6 For lines 25 ft or over, use 7/8"
 7 For lines 25 ft or over, use 1-1/8"

Cooling Performance with Air Handlers and Furnaces 24

Outdoor Model	Indoor Model	Variable Speed Furnace	SEER	EER	Rated ARI Capacity ¹ BTUH	Rated Sensible Capacity BTUH	CFM	Refrigerant Connection				Refrigerant Line Size		Indoor Expansion Device	
	Evaporator Coil ³ or Air Handler ³							Outdoor		Indoor		Suction	Liquid	Piston ²	TXV
								Suction	Liquid	Suction	Liquid				
4SCU13LE124P-5	E*1P24B	A80DS2V090B16	13.5	11.0	22,800	16,800	800	5/8	3/8	3/4	3/8	5/8 ⁵	1/4 ⁴	0.057	A4TXV01
	E*1P29B	A80DS2V090B16	14.0	12.0	22,800	16,800	800	5/8	3/8	3/4	3/8	5/8 ⁵	1/4 ⁴	0.057	A4TXV01
	E*1P30B	A80DS2V090B16	14.0	12.0	22,800	16,800	800	5/8	3/8	3/4	3/8	5/8 ⁵	1/4 ⁴	0.057	A4TXV01
	E*1P36B	A80DS2V090B16	14.0	12.0	22,800	16,800	800	5/8	3/8	3/4	3/8	5/8 ⁵	1/4 ⁴	0.057	A4TXV01
	E*1P23A	A80UH1E045A12*	13.5	11.0	22,800	16,800	800	5/8	3/8	3/4	3/8	5/8 ⁵	1/4 ⁴	0.057	A4TXV01
	E*1P24A	A80UH1E045A12*	13.5	11.0	22,800	16,800	800	5/8	3/8	3/4	3/8	5/8 ⁵	1/4 ⁴	0.057	A4TXV01
	E*1P29A	A80UH1E045A12*	13.5	11.0	22,800	16,800	800	5/8	3/8	3/4	3/8	5/8 ⁵	1/4 ⁴	0.057	A4TXV01
	E*1P30A	A80UH1E045A12*	13.5	11.0	22,800	16,800	800	5/8	3/8	3/4	3/8	5/8 ⁵	1/4 ⁴	0.057	A4TXV01
	E*1P36A	A80UH1E045A12*	14.0	12.0	22,800	16,800	800	5/8	3/8	3/4	3/8	5/8 ⁵	1/4 ⁴	0.057	A4TXV01
	E*1P23B	A80UH1E070B12*	13.5	11.0	22,800	16,800	800	5/8	3/8	3/4	3/8	5/8 ⁵	1/4 ⁴	0.057	A4TXV01
	E*1P24B	A80UH1E070B12*	13.5	11.0	22,800	16,800	800	5/8	3/8	3/4	3/8	5/8 ⁵	1/4 ⁴	0.057	A4TXV01
	E*1P29A	A80UH1E070B12*	13.5	11.0	22,800	16,800	800	5/8	3/8	3/4	3/8	5/8 ⁵	1/4 ⁴	0.057	A4TXV01
	E*1P30B	A80UH1E070B12*	13.5	11.0	22,800	16,800	800	5/8	3/8	3/4	3/8	5/8 ⁵	1/4 ⁴	0.057	A4TXV01
	E*1P36B	A80UH1E070B12*	13.5	11.0	22,800	16,800	800	5/8	3/8	3/4	3/8	5/8 ⁵	1/4 ⁴	0.057	A4TXV01
	E*1P23A	A80UH2V070A12	13.5	11.0	22,800	16,800	800	5/8	3/8	3/4	3/8	5/8 ⁵	1/4 ⁴	0.057	A4TXV01
	E*1P24A	A80UH2V070A12	13.5	11.0	22,800	16,800	800	5/8	3/8	3/4	3/8	5/8 ⁵	1/4 ⁴	0.057	A4TXV01
	E*1P29A	A80UH2V070A12	14.0	12.0	22,800	16,800	800	5/8	3/8	3/4	3/8	5/8 ⁵	1/4 ⁴	0.057	A4TXV01
	E*1P30A	A80UH2V070A12	14.0	12.0	22,800	16,800	800	5/8	3/8	3/4	3/8	5/8 ⁵	1/4 ⁴	0.057	A4TXV01
	E*1P36A	A80UH2V070A12	14.0	12.0	22,800	16,800	800	5/8	3/8	3/4	3/8	5/8 ⁵	1/4 ⁴	0.057	A4TXV01
	E*1P23B	A80UH2V090B12	13.5	11.0	22,800	16,800	800	5/8	3/8	3/4	3/8	5/8 ⁵	1/4 ⁴	0.057	A4TXV01
	E*1P24B	A80UH2V090B12	13.5	11.0	22,800	16,800	800	5/8	3/8	3/4	3/8	5/8 ⁵	1/4 ⁴	0.057	A4TXV01
	E*1P29B	A80UH2V090B12	14.0	12.0	22,800	16,800	800	5/8	3/8	3/4	3/8	5/8 ⁵	1/4 ⁴	0.057	A4TXV01
	E*1P30B	A80UH2V090B12	14.0	12.0	22,800	16,800	800	5/8	3/8	3/4	3/8	5/8 ⁵	1/4 ⁴	0.057	A4TXV01
	E*1P36B	A80UH2V090B12	14.0	12.0	22,800	16,800	800	5/8	3/8	3/4	3/8	5/8 ⁵	1/4 ⁴	0.057	A4TXV01
	E*1P23B	A80UH2V090B16	13.5	11.0	22,800	16,800	800	5/8	3/8	3/4	3/8	5/8 ⁵	1/4 ⁴	0.057	A4TXV01
	E*1P24B	A80UH2V090B16	13.5	11.0	22,800	16,800	800	5/8	3/8	3/4	3/8	5/8 ⁵	1/4 ⁴	0.057	A4TXV01
	E*1P29B	A80UH2V090B16	13.5	11.0	22,800	16,800	800	5/8	3/8	3/4	3/8	5/8 ⁵	1/4 ⁴	0.057	A4TXV01
	E*1P30B	A80UH2V090B16	14.0	12.0	22,800	16,800	800	5/8	3/8	3/4	3/8	5/8 ⁵	1/4 ⁴	0.057	A4TXV01
	E*1P36B	A80UH2V090B16	14.0	12.0	22,800	16,800	800	5/8	3/8	3/4	3/8	5/8 ⁵	1/4 ⁴	0.057	A4TXV01
	E*1P23A	A80US2V070A12	13.5	11.0	22,800	16,800	800	5/8	3/8	3/4	3/8	5/8 ⁵	1/4 ⁴	0.057	A4TXV01
E*1P24A	A80US2V070A12	13.5	11.0	22,800	16,800	800	5/8	3/8	3/4	3/8	5/8 ⁵	1/4 ⁴	0.057	A4TXV01	

Note:
 1 Certified in accordance with Unitary Air Conditioner Certification Program, which is based on AHRI Standard 210/240
 2 Required to achieve AHRI rating. If NA (Not Applicable) is in the piston column, then TXV is required.
 3 A blower time delay relay is required to achieve AHRI rating. This feature is standard on all Allied Air Enterprises Furnace and AH products.
 4 For lines 25 ft or over, use 3/8"
 5 For lines 25 ft or over, use 3/4"
 6 For lines 25 ft or over, use 7/8"
 7 For lines 25 ft or over, use 1-1/8"

Cooling Performance with Air Handlers and Furnaces 24

Outdoor Model	Indoor Model	Variable Speed Furnace	SEER	EER	Rated ARI Capacity ¹ BTUH	Rated Sensible Capacity BTUH	CFM	Refrigerant Connection				Refrigerant Line Size		Indoor Expansion Device	
	Evaporator Coil ³ or Air Handler ³							Outdoor		Indoor		Suction	Liquid	Piston ²	TXV
								Suction	Liquid	Suction	Liquid				
4SCU13LE124P-5	E*1P29A	A80US2V070A12	14.0	12.0	22,800	16,800	800	5/8	3/8	3/4	3/8	5/8 ⁵	1/4 ⁴	0.057	A4TXV01
	E*1P30A	A80US2V070A12	14.0	12.0	22,800	16,800	800	5/8	3/8	3/4	3/8	5/8 ⁵	1/4 ⁴	0.057	A4TXV01
	E*1P36A	A80US2V070A12	14.0	12.0	22,800	16,800	800	5/8	3/8	3/4	3/8	5/8 ⁵	1/4 ⁴	0.057	A4TXV01
	E*1P23B	A80US2V090B12	13.5	11.0	22,800	16,800	800	5/8	3/8	3/4	3/8	5/8 ⁵	1/4 ⁴	0.057	A4TXV01
	E*1P24B	A80US2V090B12	13.5	11.0	22,800	16,800	800	5/8	3/8	3/4	3/8	5/8 ⁵	1/4 ⁴	0.057	A4TXV01
	E*1P29B	A80US2V090B12	14.0	12.0	22,800	16,800	800	5/8	3/8	3/4	3/8	5/8 ⁵	1/4 ⁴	0.057	A4TXV01
	E*1P30B	A80US2V090B12	14.0	12.0	22,800	16,800	800	5/8	3/8	3/4	3/8	5/8 ⁵	1/4 ⁴	0.057	A4TXV01
	E*1P36B	A80US2V090B12	14.0	12.0	22,800	16,800	800	5/8	3/8	3/4	3/8	5/8 ⁵	1/4 ⁴	0.057	A4TXV01
	E*1P23B	A80US2V090B16	13.5	11.0	22,800	16,800	800	5/8	3/8	3/4	3/8	5/8 ⁵	1/4 ⁴	0.057	A4TXV01
	E*1P24B	A80US2V090B16	13.5	11.0	22,800	16,800	800	5/8	3/8	3/4	3/8	5/8 ⁵	1/4 ⁴	0.057	A4TXV01
	E*1P29B	A80US2V090B16	13.5	11.0	22,800	16,800	800	5/8	3/8	3/4	3/8	5/8 ⁵	1/4 ⁴	0.057	A4TXV01
	E*1P30B	A80US2V090B16	14.0	12.0	22,800	16,800	800	5/8	3/8	3/4	3/8	5/8 ⁵	1/4 ⁴	0.057	A4TXV01
	E*1P36B	A80US2V090B16	14.0	12.0	22,800	16,800	800	5/8	3/8	3/4	3/8	5/8 ⁵	1/4 ⁴	0.057	A4TXV01
	E*1P23B	A95DF2V045B12S	14.0	12.0	22,800	16,800	800	5/8	3/8	3/4	3/8	5/8 ⁵	1/4 ⁴	0.057	A4TXV01
	E*1P24B	A95DF2V045B12S	13.5	11.0	22,800	16,800	800	5/8	3/8	3/4	3/8	5/8 ⁵	1/4 ⁴	0.057	A4TXV01
	E*1P29B	A95DF2V045B12S	14.0	12.0	22,800	16,800	800	5/8	3/8	3/4	3/8	5/8 ⁵	1/4 ⁴	0.057	A4TXV01
	E*1P30B	A95DF2V045B12S	14.0	12.0	22,800	16,800	800	5/8	3/8	3/4	3/8	5/8 ⁵	1/4 ⁴	0.057	A4TXV01
	E*1P36B	A95DF2V045B12S	14.0	12.0	22,800	16,800	800	5/8	3/8	3/4	3/8	5/8 ⁵	1/4 ⁴	0.057	A4TXV01
	E*1P23B	A95DF2V070B16S	13.5	11.0	22,800	16,800	800	5/8	3/8	3/4	3/8	5/8 ⁵	1/4 ⁴	0.057	A4TXV01
	E*1P24B	A95DF2V070B16S	13.5	11.0	22,800	16,800	800	5/8	3/8	3/4	3/8	5/8 ⁵	1/4 ⁴	0.057	A4TXV01
	E*1P29B	A95DF2V070B16S	13.5	11.0	22,800	16,800	800	5/8	3/8	3/4	3/8	5/8 ⁵	1/4 ⁴	0.057	A4TXV01
	E*1P30B	A95DF2V070B16S	13.5	11.0	22,800	16,800	800	5/8	3/8	3/4	3/8	5/8 ⁵	1/4 ⁴	0.057	A4TXV01
	E*1P36B	A95DF2V070B16S	13.5	11.0	22,800	16,800	800	5/8	3/8	3/4	3/8	5/8 ⁵	1/4 ⁴	0.057	A4TXV01
	E*1P30C	A95DF2V090C20S	13.5	11.0	22,800	16,800	770	5/8	3/8	3/4	3/8	5/8 ⁵	1/4 ⁴	0.057	A4TXV01
	E*1P36C	A95DF2V090C20S	14.0	12.0	22,800	16,800	770	5/8	3/8	3/4	3/8	5/8 ⁵	1/4 ⁴	0.057	A4TXV01
	E*1P30C	A95DF2V110C20S	14.0	12.0	22,800	16,800	820	5/8	3/8	3/4	3/8	5/8 ⁵	1/4 ⁴	0.057	A4TXV01
	E*1P36C	A95DF2V110C20S	14.0	12.0	22,800	16,800	820	5/8	3/8	3/4	3/8	5/8 ⁵	1/4 ⁴	0.057	A4TXV01
	E*1P23B	A95UH1E070B12S	14.0	12.0	22,800	16,800	800	5/8	3/8	3/4	3/8	5/8 ⁵	1/4 ⁴	0.057	A4TXV01
	E*1P24B	A95UH1E070B12S	13.5	11.0	22,800	16,800	800	5/8	3/8	3/4	3/8	5/8 ⁵	1/4 ⁴	0.057	A4TXV01
	E*1P29B	A95UH1E070B12S	14.0	12.0	22,800	16,800	800	5/8	3/8	3/4	3/8	5/8 ⁵	1/4 ⁴	0.057	A4TXV01
E*1P30B	A95UH1E070B12S	14.0	12.0	22,800	16,800	800	5/8	3/8	3/4	3/8	5/8 ⁵	1/4 ⁴	0.057	A4TXV01	

Note:
 1 Certified in accordance with Unitary Air Conditioner Certification Program, which is based on AHRI Standard 210/240
 2 Required to achieve AHRI rating. If NA (Not Applicable) is in the piston column, then TXV is required.
 3 A blower time delay relay is required to achieve AHRI rating. This feature is standard on all Allied Air Enterprises furnace and AH products.
 4 For lines 25 ft or over, use 3/8"
 5 For lines 25 ft or over, use 3/4"
 6 For lines 25 ft or over, use 7/8"
 7 For lines 25 ft or over, use 1-1/8"

Cooling Performance with Air Handlers and Furnaces 24

Outdoor Model	Indoor Model	Variable Speed Furnace	SEER	EER	Rated ARI Capacity ¹ BTUH	Rated Sensible Capacity BTUH	CFM	Refrigerant Connection				Refrigerant Line Size		Indoor Expansion Device	
	Evaporator Coil ² or Air Handler ³							Outdoor		Indoor		Suction	Liquid	Piston ²	TXV
								Suction	Liquid	Suction	Liquid				
4SCU13LE12AP-5	E*1P36B	A95UH1E070B12S	14.0	12.0	22,800	16,800	800	5/8	3/8	3/4	3/8	5/8 ⁵	1/4 ⁴	0.057	A4TXV01
	E*1P23B	A95UH2V045B12S	14.0	12.0	22,800	16,800	800	5/8	3/8	3/4	3/8	5/8 ⁵	1/4 ⁴	0.057	A4TXV01
	E*1P24B	A95UH2V045B12S	14.0	12.0	22,800	16,800	800	5/8	3/8	3/4	3/8	5/8 ⁵	1/4 ⁴	0.057	A4TXV01
	E*1P29B	A95UH2V045B12S	14.0	12.0	22,800	16,800	800	5/8	3/8	3/4	3/8	5/8 ⁵	1/4 ⁴	0.057	A4TXV01
	E*1P30B	A95UH2V045B12S	14.0	12.0	22,800	16,800	800	5/8	3/8	3/4	3/8	5/8 ⁵	1/4 ⁴	0.057	A4TXV01
	E*1P36B	A95UH2V045B12S	14.0	12.0	22,800	16,800	800	5/8	3/8	3/4	3/8	5/8 ⁵	1/4 ⁴	0.057	A4TXV01
	E*1P23B	A95UH2V070B12S	14.0	12.0	22,800	16,800	800	5/8	3/8	3/4	3/8	5/8 ⁵	1/4 ⁴	0.057	A4TXV01
	E*1P24B	A95UH2V070B12S	14.0	12.0	22,800	16,800	800	5/8	3/8	3/4	3/8	5/8 ⁵	1/4 ⁴	0.057	A4TXV01
	E*1P29B	A95UH2V070B12S	14.0	12.0	22,800	16,800	800	5/8	3/8	3/4	3/8	5/8 ⁵	1/4 ⁴	0.057	A4TXV01
	E*1P30B	A95UH2V070B12S	14.0	12.0	22,800	16,800	800	5/8	3/8	3/4	3/8	5/8 ⁵	1/4 ⁴	0.057	A4TXV01
	E*1P36B	A95UH2V070B12S	14.0	12.0	22,800	16,800	800	5/8	3/8	3/4	3/8	5/8 ⁵	1/4 ⁴	0.057	A4TXV01
	E*1P30C	A95UH2V090C12S	14.0	12.0	22,800	16,800	800	5/8	3/8	3/4	3/8	5/8 ⁵	1/4 ⁴	0.057	A4TXV01
	E*1P36C	A95UH2V090C12S	14.0	12.0	22,800	16,800	800	5/8	3/8	3/4	3/8	5/8 ⁵	1/4 ⁴	0.057	A4TXV01
	E*1P23B	A97DSMV070B12*	14.0	12.0	22,800	16,800	800	5/8	3/8	3/4	3/8	5/8 ⁵	1/4 ⁴	0.057	A4TXV01
	E*1P24B	A97DSMV070B12*	13.5	11.0	22,800	16,800	800	5/8	3/8	3/4	3/8	5/8 ⁵	1/4 ⁴	0.057	A4TXV01
	E*1P29B	A97DSMV070B12*	14.0	12.0	22,800	16,800	800	5/8	3/8	3/4	3/8	5/8 ⁵	1/4 ⁴	0.057	A4TXV01
	E*1P30B	A97DSMV070B12*	14.0	12.0	22,800	16,800	800	5/8	3/8	3/4	3/8	5/8 ⁵	1/4 ⁴	0.057	A4TXV01
	E*1P36B	A97DSMV070B12*	14.0	12.0	22,800	16,800	800	5/8	3/8	3/4	3/8	5/8 ⁵	1/4 ⁴	0.057	A4TXV01
	E*1P23B	A97USMV070B12*	14.0	12.0	22,800	16,800	800	5/8	3/8	3/4	3/8	5/8 ⁵	1/4 ⁴	0.057	A4TXV01
	E*1P24B	A97USMV070B12*	14.0	12.0	22,800	16,800	800	5/8	3/8	3/4	3/8	5/8 ⁵	1/4 ⁴	0.057	A4TXV01
	E*1P29B	A97USMV070B12*	14.0	12.0	22,800	16,800	800	5/8	3/8	3/4	3/8	5/8 ⁵	1/4 ⁴	0.057	A4TXV01
	E*1P30B	A97USMV070B12*	14.0	12.0	22,800	16,800	800	5/8	3/8	3/4	3/8	5/8 ⁵	1/4 ⁴	0.057	A4TXV01
	E*1P36B	A97USMV070B12*	14.0	12.0	22,800	16,800	800	5/8	3/8	3/4	3/8	5/8 ⁵	1/4 ⁴	0.057	A4TXV01
	E*1P30C	A97USMV090C12*	14.0	12.0	22,800	16,800	800	5/8	3/8	3/4	3/8	5/8 ⁵	1/4 ⁴	0.057	A4TXV01
	E*1P36C	A97USMV090C12*	14.0	12.0	22,800	16,800	800	5/8	3/8	3/4	3/8	5/8 ⁵	1/4 ⁴	0.057	A4TXV01
	E*1P23B	EFV08BC	14.0	12.0	22,800	16,800	800	5/8	3/8	3/4	3/8	5/8 ⁵	1/4 ⁴	0.057	A4TXV01
	E*1P24B	EFV08BC	13.5	11.0	22,800	16,800	800	5/8	3/8	3/4	3/8	5/8 ⁵	1/4 ⁴	0.057	A4TXV01
	E*1P29B	EFV08BC	14.0	12.0	22,800	16,800	800	5/8	3/8	3/4	3/8	5/8 ⁵	1/4 ⁴	0.057	A4TXV01
	E*1P30B	EFV08BC	14.0	12.0	22,800	16,800	800	5/8	3/8	3/4	3/8	5/8 ⁵	1/4 ⁴	0.057	A4TXV01
	E*1P36B	EFV08BC	14.0	12.0	22,800	16,800	800	5/8	3/8	3/4	3/8	5/8 ⁵	1/4 ⁴	0.057	A4TXV01

Note:
 1 Certified in accordance with Unitary Air Conditioner Certification Program, which is based on AHRI Standard 210/240
 2 Required to achieve AHRI rating. If NA (Not Applicable) is in the piston column, then TXV is required.
 3 A blower time delay relay is required to achieve AHRI rating. This feature is standard on all Allied Air Enterprises Furnace and AH products.
 4 For lines 25 ft or over, use 3/8"
 5 For lines 25 ft or over, use 3/4"
 6 For lines 25 ft or over, use 7/8"
 7 For lines 25 ft or over, use 1-1/8"

Cooling Performance with Air Handlers and Furnaces 30

Outdoor Model	Indoor Model	Variable Speed Furnace	SEER	EER	Rated ARI Capacity ¹ BTUH	Rated Sensible Capacity BTUH	CFM	Refrigerant Connection				Refrigerant Line Size		Indoor Expansion Device		
	Evaporator Coil ³ or Air Handler ³							Outdoor		Indoor		Suction	Liquid	Piston ²	TXV	
								Suction	Liquid	Suction	Liquid					
4SCU13LE130P-5	BCE3M30C****P		13.0	11.0	28,000	20,400	950	3/4	3/8	7/8	3/8	3/4	3/8	0.063	A4TXV01	
	BCE3M36S++++P		13.5	11.0	28,000	20,400	1000	3/4	3/8	7/8	3/8	3/4	3/8	0.063	A4TXV01	
	BCE3M36V++++P		13.5	11.0	28,000	20,400	1000	3/4	3/8	7/8	3/8	3/4	3/8	0.063	A4TXV01	
	BCE3M30E****X		14.0	11.0	28,000	20,400	1000	3/4	3/8	7/8	3/8	3/4	3/8	NA	FACTORY INSTALLED A4TXV01	
	E*1P24A	A80DF1E045A12		13.5	11.0	28,000	20,400	1000	3/4	3/8	3/4	3/8	3/4	3/8	0.063	A4TXV01
	E*1P29A	A80DF1E045A12		13.5	11.0	28,000	20,400	1000	3/4	3/8	3/4	3/8	3/4	3/8	0.063	A4TXV01
	E*1P30A	A80DF1E045A12		13.5	11.0	28,000	20,400	1000	3/4	3/8	3/4	3/8	3/4	3/8	0.063	A4TXV01
	E*1P36A	A80DF1E045A12		13.5	11.0	28,000	20,400	1000	3/4	3/8	3/4	3/8	3/4	3/8	0.063	A4TXV01
	E*1P24B	A80DF1E070B12		13.5	11.0	28,000	20,400	1000	3/4	3/8	3/4	3/8	3/4	3/8	0.063	A4TXV01
	E*1P29B	A80DF1E070B12		13.5	11.0	28,000	20,400	1000	3/4	3/8	3/4	3/8	3/4	3/8	0.063	A4TXV01
	E*1P30B	A80DF1E070B12		13.5	11.0	28,000	20,400	1000	3/4	3/8	3/4	3/8	3/4	3/8	0.063	A4TXV01
	E*1P36B	A80DF1E070B12		13.5	11.0	28,000	20,400	1000	3/4	3/8	3/4	3/8	3/4	3/8	0.063	A4TXV01
	E*1P24B	A80DF1E090B16		13.5	11.0	28,000	20,400	1000	3/4	3/8	3/4	3/8	3/4	3/8	0.063	A4TXV01
	E*1P29B	A80DF1E090B16		13.5	11.0	28,000	20,400	1000	3/4	3/8	3/4	3/8	3/4	3/8	0.063	A4TXV01
	E*1P30B	A80DF1E090B16		13.5	11.0	28,000	20,400	1000	3/4	3/8	3/4	3/8	3/4	3/8	0.063	A4TXV01
	E*1P36B	A80DF1E090B16		13.5	11.0	28,000	20,400	1000	3/4	3/8	3/4	3/8	3/4	3/8	0.063	A4TXV01
	E*1P24A	A80DF2V070A12		13.5	11.0	28,000	20,400	1000	3/4	3/8	3/4	3/8	3/4	3/8	0.063	A4TXV01
	E*1P29A	A80DF2V070A12		13.5	11.0	28,000	20,400	1000	3/4	3/8	3/4	3/8	3/4	3/8	0.063	A4TXV01
	E*1P30A	A80DF2V070A12		13.5	11.0	28,000	20,400	1000	3/4	3/8	3/4	3/8	3/4	3/8	0.063	A4TXV01
	E*1P36A	A80DF2V070A12		13.5	11.0	28,000	20,400	1000	3/4	3/8	3/4	3/8	3/4	3/8	0.063	A4TXV01
	E*1P24B	A80DF2V090B16		13.5	11.0	28,000	20,400	1000	3/4	3/8	3/4	3/8	3/4	3/8	0.063	A4TXV01
	E*1P29B	A80DF2V090B16		13.5	11.0	28,000	20,400	1000	3/4	3/8	3/4	3/8	3/4	3/8	0.063	A4TXV01
	E*1P30B	A80DF2V090B16		13.5	11.0	28,000	20,400	1000	3/4	3/8	3/4	3/8	3/4	3/8	0.063	A4TXV01
	E*1P36B	A80DF2V090B16		13.5	11.0	28,000	20,400	1000	3/4	3/8	3/4	3/8	3/4	3/8	0.063	A4TXV01
	E*1P30C	A80DF2V110C20		13.5	11.0	28,000	20,400	1000	3/4	3/8	3/4	3/8	3/4	3/8	0.063	A4TXV01
	E*1P36C	A80DF2V110C20		13.5	11.0	28,000	20,400	1000	3/4	3/8	3/4	3/8	3/4	3/8	0.063	A4TXV01
	E*1P24A	A80DS2V070A12		13.5	11.0	28,000	20,400	1000	3/4	3/8	3/4	3/8	3/4	3/8	0.063	A4TXV01
	E*1P29A	A80DS2V070A12		13.5	11.0	28,000	20,400	1000	3/4	3/8	3/4	3/8	3/4	3/8	0.063	A4TXV01
	E*1P30A	A80DS2V070A12		13.5	11.0	28,000	20,400	1000	3/4	3/8	3/4	3/8	3/4	3/8	0.063	A4TXV01
	E*1P36A	A80DS2V070A12		13.5	11.0	28,000	20,400	1000	3/4	3/8	3/4	3/8	3/4	3/8	0.063	A4TXV01
E*1P24B	A80DS2V090B16		13.5	11.0	28,000	20,400	1000	3/4	3/8	3/4	3/8	3/4	3/8	0.063	A4TXV01	
E*1P29B	A80DS2V090B16		13.5	11.0	28,000	20,400	1000	3/4	3/8	3/4	3/8	3/4	3/8	0.063	A4TXV01	

Note:
 1 Certified in accordance with Unitary Air Conditioner Certification Program, which is based on AHRI Standard 210/240
 2 Required to achieve AHRI rating. If NA (Not Applicable) is in the piston column, then TXV is required.
 3 A blower time delay relay is required to achieve AHRI rating. This feature is standard on all Allied Air Enterprises furnace and AH products.
 4 For lines 25 ft or over, use 3/8"
 5 For lines 25 ft or over, use 3/4"
 6 For lines 25 ft or over, use 7/8"
 7 For lines 25 ft or over, use 1-1/8"

Cooling Performance with Air Handlers and Furnaces 30

Outdoor Model	Indoor Model	Variable Speed Furnace	SEER	EER	Rated ARI Capacity ¹ BTUH	Rated Sensible Capacity BTUH	CFM	Refrigerant Connection				Refrigerant Line Size		Indoor Expansion Device	
	Evaporator Coil ³ or Air Handler ³							Outdoor		Indoor		Suction	Liquid	Piston ²	TXV
								Suction	Liquid	Suction	Liquid				
45CU13LE130P-5	E*1P30B	A80DS2V090B16	13.5	11.0	28,000	20,400	1000	3/4	3/8	3/4	3/8	3/4	3/8	0.063	A4TXV01
	E*1P36B	A80DS2V090B16	13.5	11.0	28,000	20,400	1000	3/4	3/8	3/4	3/8	3/4	3/8	0.063	A4TXV01
	E*1P30C	A80DS2V110C20	13.5	11.0	28,000	20,400	1000	3/4	3/8	3/4	3/8	3/4	3/8	0.063	A4TXV01
	E*1P36C	A80DS2V110C20	13.5	11.0	28,000	20,400	1000	3/4	3/8	3/4	3/8	3/4	3/8	0.063	A4TXV01
	E*1P24A	A80UH1E045A12*	13.5	11.0	28,000	20,400	1000	3/4	3/8	3/4	3/8	3/4	3/8	0.063	A4TXV01
	E*1P29A	A80UH1E045A12*	13.5	11.0	28,000	20,400	1000	3/4	3/8	3/4	3/8	3/4	3/8	0.063	A4TXV01
	E*1P30A	A80UH1E045A12*	13.5	11.0	28,000	20,400	1000	3/4	3/8	3/4	3/8	3/4	3/8	0.063	A4TXV01
	E*1P36A	A80UH1E045A12*	13.5	11.0	28,000	20,400	1000	3/4	3/8	3/4	3/8	3/4	3/8	0.063	A4TXV01
	E*1P24B	A80UH1E070B12*	13.5	11.0	28,000	20,400	1000	3/4	3/8	3/4	3/8	3/4	3/8	0.063	A4TXV01
	E*1P29B	A80UH1E070B12*	13.5	11.0	28,000	20,400	1000	3/4	3/8	3/4	3/8	3/4	3/8	0.063	A4TXV01
	E*1P30B	A80UH1E070B12*	13.5	11.0	28,000	20,400	1000	3/4	3/8	3/4	3/8	3/4	3/8	0.063	A4TXV01
	E*1P36B	A80UH1E070B12*	13.5	11.0	28,000	20,400	1000	3/4	3/8	3/4	3/8	3/4	3/8	0.063	A4TXV01
	E*1P24B	A80UH1E090B16*	13.5	11.0	28,000	20,400	1000	3/4	3/8	3/4	3/8	3/4	3/8	0.063	A4TXV01
	E*1P29A	A80UH1E090B16*	13.5	11.0	28,000	20,400	1000	3/4	3/8	3/4	3/8	3/4	3/8	0.063	A4TXV01
	E*1P30B	A80UH1E090B16*	13.5	11.0	28,000	20,400	1000	3/4	3/8	3/4	3/8	3/4	3/8	0.063	A4TXV01
	E*1P36B	A80UH1E090B16*	13.5	11.0	28,000	20,400	1000	3/4	3/8	3/4	3/8	3/4	3/8	0.063	A4TXV01
	E*1P24A	A80UH2V070A12	13.5	11.0	28,000	20,400	1000	3/4	3/8	3/4	3/8	3/4	3/8	0.063	A4TXV01
	E*1P29A	A80UH2V070A12	13.5	11.0	28,000	20,400	1000	3/4	3/8	3/4	3/8	3/4	3/8	0.063	A4TXV01
	E*1P30A	A80UH2V070A12	13.5	11.0	28,000	20,400	1000	3/4	3/8	3/4	3/8	3/4	3/8	0.063	A4TXV01
	E*1P36A	A80UH2V070A12	13.5	11.0	28,000	20,400	1000	3/4	3/8	3/4	3/8	3/4	3/8	0.063	A4TXV01
	E*1P24B	A80UH2V090B12	13.5	11.0	28,000	20,400	1000	3/4	3/8	3/4	3/8	3/4	3/8	0.063	A4TXV01
	E*1P29B	A80UH2V090B12	13.5	11.0	28,000	20,400	1000	3/4	3/8	3/4	3/8	3/4	3/8	0.063	A4TXV01
	E*1P30B	A80UH2V090B12	13.5	11.0	28,000	20,400	1000	3/4	3/8	3/4	3/8	3/4	3/8	0.063	A4TXV01
	E*1P36B	A80UH2V090B12	13.5	11.0	28,000	20,400	1000	3/4	3/8	3/4	3/8	3/4	3/8	0.063	A4TXV01
	E*1P24B	A80UH2V090B16	13.5	11.0	28,000	20,400	1000	3/4	3/8	3/4	3/8	3/4	3/8	0.063	A4TXV01
	E*1P29B	A80UH2V090B16	13.5	11.0	28,000	20,400	1000	3/4	3/8	3/4	3/8	3/4	3/8	0.063	A4TXV01
	E*1P30B	A80UH2V090B16	13.5	11.0	28,000	20,400	1000	3/4	3/8	3/4	3/8	3/4	3/8	0.063	A4TXV01
	E*1P36B	A80UH2V090B16	13.5	11.0	28,000	20,400	1000	3/4	3/8	3/4	3/8	3/4	3/8	0.063	A4TXV01
	E*1P30C	A80UH2V090C20	13.5	11.0	28,000	20,400	1000	3/4	3/8	3/4	3/8	3/4	3/8	0.063	A4TXV01
	E*1P36C	A80UH2V090C20	13.5	11.0	28,000	20,400	1000	3/4	3/8	3/4	3/8	3/4	3/8	0.063	A4TXV01
E*1P24A	A80US2V070A12	13.5	11.0	28,000	20,400	1000	3/4	3/8	3/4	3/8	3/4	3/8	0.063	A4TXV01	

Note:
 1 Certified in accordance with Unitary Air Conditioner Certification Program, which is based on AHRI Standard 210/240
 2 Required to achieve AHRI rating. If NA (Not Applicable) is in the piston column, then TXV is required.
 3 A blower time delay relay is required to achieve AHRI rating. This feature is standard on all Allied Air Enterprises Furnace and AH products.
 4 For lines 25 ft or over, use 3/8"
 5 For lines 25 ft or over, use 3/4"
 6 For lines 25 ft or over, use 7/8"
 7 For lines 25 ft or over, use 1-1/8"

Cooling Performance with Air Handlers and Furnaces 30

Outdoor Model	Indoor Model	Variable Speed Furnace	SEER	EER	Rated ARI Capacity ¹ BTUH	Rated Sensible Capacity BTUH	CFM	Refrigerant Connection				Refrigerant Line Size		Indoor Expansion Device	
	Evaporator Coil ³ or Air Handler ³							Outdoor		Indoor		Suction	Liquid	Piston ²	TXV
								Suction	Liquid	Suction	Liquid				
4SCU13LE130P-5	E*1P29A	A80US2V070A12	13.5	11.0	28,000	20,400	1000	3/4	3/8	3/4	3/8	3/4	3/8	0.063	A4TXV01
	E*1P30A	A80US2V070A12	13.5	11.0	28,000	20,400	1000	3/4	3/8	3/4	3/8	3/4	3/8	0.063	A4TXV01
	E*1P36A	A80US2V070A12	13.5	11.0	28,000	20,400	1000	3/4	3/8	3/4	3/8	3/4	3/8	0.063	A4TXV01
	E*1P24B	A80US2V090B12	13.5	11.0	28,000	20,400	1000	3/4	3/8	3/4	3/8	3/4	3/8	0.063	A4TXV01
	E*1P29B	A80US2V090B12	13.5	11.0	28,000	20,400	1000	3/4	3/8	3/4	3/8	3/4	3/8	0.063	A4TXV01
	E*1P30B	A80US2V090B12	13.5	11.0	28,000	20,400	1000	3/4	3/8	3/4	3/8	3/4	3/8	0.063	A4TXV01
	E*1P36B	A80US2V090B12	13.5	11.0	28,000	20,400	1000	3/4	3/8	3/4	3/8	3/4	3/8	0.063	A4TXV01
	E*1P24B	A80US2V090B16	13.5	11.0	28,000	20,400	1000	3/4	3/8	3/4	3/8	3/4	3/8	0.063	A4TXV01
	E*1P29B	A80US2V090B16	13.5	11.0	28,000	20,400	1000	3/4	3/8	3/4	3/8	3/4	3/8	0.063	A4TXV01
	E*1P30B	A80US2V090B16	13.5	11.0	28,000	20,400	1000	3/4	3/8	3/4	3/8	3/4	3/8	0.063	A4TXV01
	E*1P36B	A80US2V090B16	13.5	11.0	28,000	20,400	1000	3/4	3/8	3/4	3/8	3/4	3/8	0.063	A4TXV01
	E*1P30C	A80US2V090C20	13.5	11.0	28,000	20,400	1000	3/4	3/8	3/4	3/8	3/4	3/8	0.063	A4TXV01
	E*1P36C	A80US2V090C20	13.5	11.0	28,000	20,400	1000	3/4	3/8	3/4	3/8	3/4	3/8	0.063	A4TXV01
	E*1P24B	A95DF1E045B12S	13.5	11.0	28,000	20,400	1000	3/4	3/8	3/4	3/8	3/4	3/8	0.063	A4TXV01
	E*1P29B	A95DF1E045B12S	13.5	11.0	28,000	20,400	1000	3/4	3/8	3/4	3/8	3/4	3/8	0.063	A4TXV01
	E*1P30B	A95DF1E045B12S	13.5	11.0	28,000	20,400	1000	3/4	3/8	3/4	3/8	3/4	3/8	0.063	A4TXV01
	E*1P36B	A95DF1E045B12S	13.5	11.0	28,000	20,400	1000	3/4	3/8	3/4	3/8	3/4	3/8	0.063	A4TXV01
	E*1P24B	A95DF1E070B16S	13.5	11.0	28,000	20,400	1000	3/4	3/8	3/4	3/8	3/4	3/8	0.063	A4TXV01
	E*1P29B	A95DF1E070B16S	13.5	11.0	28,000	20,400	1000	3/4	3/8	3/4	3/8	3/4	3/8	0.063	A4TXV01
	E*1P30B	A95DF1E070B16S	13.5	11.0	28,000	20,400	1000	3/4	3/8	3/4	3/8	3/4	3/8	0.063	A4TXV01
	E*1P36B	A95DF1E070B16S	13.5	11.0	28,000	20,400	1000	3/4	3/8	3/4	3/8	3/4	3/8	0.063	A4TXV01
	E*1P30C	A95DF1E090C16S	13.5	11.0	28,000	20,400	1000	3/4	3/8	3/4	3/8	3/4	3/8	0.063	A4TXV01
	E*1P36C	A95DF1E090C16S	13.5	11.0	28,000	20,400	1000	3/4	3/8	3/4	3/8	3/4	3/8	0.063	A4TXV01
	E*1P24B	A95DF2V045B12S	13.5	11.0	28,000	20,400	1000	3/4	3/8	3/4	3/8	3/4	3/8	0.063	A4TXV01
	E*1P29B	A95DF2V045B12S	13.5	11.0	28,000	20,400	1000	3/4	3/8	3/4	3/8	3/4	3/8	0.063	A4TXV01
	E*1P30B	A95DF2V045B12S	13.5	11.0	28,000	20,400	1000	3/4	3/8	3/4	3/8	3/4	3/8	0.063	A4TXV01
	E*1P36B	A95DF2V045B12S	13.5	11.0	28,000	20,400	1000	3/4	3/8	3/4	3/8	3/4	3/8	0.063	A4TXV01
	E*1P24B	A95DF2V070B16S	13.5	11.0	28,000	20,400	1000	3/4	3/8	3/4	3/8	3/4	3/8	0.063	A4TXV01
	E*1P29B	A95DF2V070B16S	13.5	11.0	28,000	20,400	1000	3/4	3/8	3/4	3/8	3/4	3/8	0.063	A4TXV01
	E*1P30B	A95DF2V070B16S	13.5	11.0	28,000	20,400	1000	3/4	3/8	3/4	3/8	3/4	3/8	0.063	A4TXV01
E*1P36B	A95DF2V070B16S	13.5	11.0	28,000	20,400	1000	3/4	3/8	3/4	3/8	3/4	3/8	0.063	A4TXV01	

Note:
 1 Certified in accordance with Unitary Air Conditioner Certification Program, which is based on AHRI Standard 210/240
 2 Required to achieve AHRI rating. If NA (Not Applicable) is in the piston column, then TXV is required.
 3 A blower time delay relay is required to achieve AHRI rating. This feature is standard on all Allied Air Enterprises furnace and AH products.
 4 For lines 25 ft or over, use 3/8"
 5 For lines 25 ft or over, use 3/4"
 6 For lines 25 ft or over, use 7/8"
 7 For lines 25 ft or over, use 1-1/8"

Cooling Performance with Air Handlers and Furnaces 30

Outdoor Model	Indoor Model	Variable Speed Furnace	SEER	EER	Rated ARI Capacity ¹ BTUH	Rated Sensible Capacity BTUH	CFM	Refrigerant Connection				Refrigerant Line Size		Indoor Expansion Device	
	Evaporator Coil ³ or Air Handler ³							Outdoor		Indoor		Suction	Liquid	Piston ²	TXV
								Suction	Liquid	Suction	Liquid				
4SCU13LE130P-5	E*1P30C	A95DF2V090C20S	13.5	11.0	28,000	20,400	1000	3/4	3/8	3/4	3/8	3/4	3/8	0.063	A4TXV01
	E*1P36C	A95DF2V090C20S	13.5	11.0	28,000	20,400	1000	3/4	3/8	3/4	3/8	3/4	3/8	0.063	A4TXV01
	E*1P30C	A95DF2V110C20S	13.5	11.0	28,000	20,400	1000	3/4	3/8	3/4	3/8	3/4	3/8	0.063	A4TXV01
	E*1P36C	A95DF2V110C20S	13.5	11.0	28,000	20,400	1000	3/4	3/8	3/4	3/8	3/4	3/8	0.063	A4TXV01
	E*1P24B	A95UH1E045B12S	13.5	11.0	28,000	20,400	1000	3/4	3/8	3/4	3/8	3/4	3/8	0.063	A4TXV01
	E*1P29B	A95UH1E045B12S	13.5	11.0	28,000	20,400	1000	3/4	3/8	3/4	3/8	3/4	3/8	0.063	A4TXV01
	E*1P30B	A95UH1E045B12S	13.5	11.0	28,000	20,400	1000	3/4	3/8	3/4	3/8	3/4	3/8	0.063	A4TXV01
	E*1P36B	A95UH1E045B12S	13.5	11.0	28,000	20,400	1000	3/4	3/8	3/4	3/8	3/4	3/8	0.063	A4TXV01
	E*1P24B	A95UH1E070B12S	13.5	11.0	28,000	20,400	1000	3/4	3/8	3/4	3/8	3/4	3/8	0.063	A4TXV01
	E*1P29B	A95UH1E070B12S	13.5	11.0	28,000	20,400	1000	3/4	3/8	3/4	3/8	3/4	3/8	0.063	A4TXV01
	E*1P30B	A95UH1E070B12S	13.5	11.0	28,000	20,400	1000	3/4	3/8	3/4	3/8	3/4	3/8	0.063	A4TXV01
	E*1P36B	A95UH1E070B12S	13.5	11.0	28,000	20,400	1000	3/4	3/8	3/4	3/8	3/4	3/8	0.063	A4TXV01
	E*1P30C	A95UH1E090C16S	13.5	11.0	28,000	20,400	1000	3/4	3/8	3/4	3/8	3/4	3/8	0.063	A4TXV01
	E*1P36C	A95UH1E090C16S	13.5	11.0	28,000	20,400	1000	3/4	3/8	3/4	3/8	3/4	3/8	0.063	A4TXV01
	E*1P24B	A95UH2V045B12S	13.5	11.0	28,000	20,400	1000	3/4	3/8	3/4	3/8	3/4	3/8	0.063	A4TXV01
	E*1P29B	A95UH2V045B12S	13.5	11.0	28,000	20,400	1000	3/4	3/8	3/4	3/8	3/4	3/8	0.063	A4TXV01
	E*1P30B	A95UH2V045B12S	13.5	11.0	28,000	20,400	1000	3/4	3/8	3/4	3/8	3/4	3/8	0.063	A4TXV01
	E*1P36B	A95UH2V045B12S	13.5	11.0	28,000	20,400	1000	3/4	3/8	3/4	3/8	3/4	3/8	0.063	A4TXV01
	E*1P24B	A95UH2V070B12S	13.5	11.0	28,000	20,400	1000	3/4	3/8	3/4	3/8	3/4	3/8	0.063	A4TXV01
	E*1P29B	A95UH2V070B12S	13.5	11.0	28,000	20,400	1000	3/4	3/8	3/4	3/8	3/4	3/8	0.063	A4TXV01
	E*1P30B	A95UH2V070B12S	13.5	11.0	28,000	20,400	1000	3/4	3/8	3/4	3/8	3/4	3/8	0.063	A4TXV01
	E*1P36B	A95UH2V070B12S	13.5	11.0	28,000	20,400	1000	3/4	3/8	3/4	3/8	3/4	3/8	0.063	A4TXV01
	E*1P30C	A95UH2V090C12S	13.5	11.0	28,000	20,400	1000	3/4	3/8	3/4	3/8	3/4	3/8	0.063	A4TXV01
	E*1P36C	A95UH2V090C12S	13.5	11.0	28,000	20,400	1000	3/4	3/8	3/4	3/8	3/4	3/8	0.063	A4TXV01
	E*1P24B	A97DSMV070B12*	13.5	11.0	28,000	20,400	1000	3/4	3/8	3/4	3/8	3/4	3/8	0.063	A4TXV01
	E*1P29B	A97DSMV070B12*	13.5	11.0	28,000	20,400	1000	3/4	3/8	3/4	3/8	3/4	3/8	0.063	A4TXV01
	E*1P30B	A97DSMV070B12*	13.5	11.0	28,000	20,400	1000	3/4	3/8	3/4	3/8	3/4	3/8	0.063	A4TXV01
	E*1P36B	A97DSMV070B12*	13.5	11.0	28,000	20,400	1000	3/4	3/8	3/4	3/8	3/4	3/8	0.063	A4TXV01
	E*1P30C	A97DSMV090C16*	13.5	11.0	28,000	20,400	1000	3/4	3/8	3/4	3/8	3/4	3/8	0.063	A4TXV01
	E*1P36C	A97DSMV090C16*	13.5	11.0	28,000	20,400	1000	3/4	3/8	3/4	3/8	3/4	3/8	0.063	A4TXV01
E*1P24B	A97USMV070B12*	13.5	11.0	28,000	20,400	1000	3/4	3/8	3/4	3/8	3/4	3/8	0.063	A4TXV01	

Note:
 1 Certified in accordance with Unitary Air Conditioner Certification Program, which is based on AHRI Standard 210/240
 2 Required to achieve AHRI rating. If NA (Not Applicable) is in the piston column, then TXV is required.
 3 A blower time delay relay is required to achieve AHRI rating. This feature is standard on all Allied Air Enterprises Furnace and AH products.
 4 For lines 25 ft or over, use 3/8"
 5 For lines 25 ft or over, use 3/4"
 6 For lines 25 ft or over, use 7/8"
 7 For lines 25 ft or over, use 1-1/8"

Cooling Performance with Air Handlers and Furnaces 30, 36

Outdoor Model	Indoor Model	Variable Speed Furnace	SEER	EER	Rated ARI Capacity ¹ BTUH	Rated Sensible Capacity BTUH	CFM	Refrigerant Connection				Refrigerant Line Size		Indoor Expansion Device	
	Evaporator Coil ³ or Air Handler ³							Outdoor		Indoor		Suction	Liquid	Piston ²	TXV
								Suction	Liquid	Suction	Liquid				
4SCU13LE130P-5	E*1P29B	A97USMV070B12*	13.5	11.0	28,000	20,400	1000	3/4	3/8	3/4	3/8	3/4	3/8	0.063	A4TXV01
	E*1P30B	A97USMV070B12*	13.5	11.0	28,000	20,400	1000	3/4	3/8	3/4	3/8	3/4	3/8	0.063	A4TXV01
	E*1P36B	A97USMV070B12*	13.5	11.0	28,000	20,400	1000	3/4	3/8	3/4	3/8	3/4	3/8	0.063	A4TXV01
	E*1P30C	A97USMV090C12*	13.5	11.0	28,000	20,400	1000	3/4	3/8	3/4	3/8	3/4	3/8	0.063	A4TXV01
	E*1P36C	A97USMV090C12*	13.5	11.0	28,000	20,400	1000	3/4	3/8	3/4	3/8	3/4	3/8	0.063	A4TXV01
	E*1P24B	EFV12BC	13.5	11.0	28,000	20,400	1000	3/4	3/8	3/4	3/8	3/4	3/8	0.063	A4TXV01
	E*1P29B	EFV12BC	13.5	11.0	28,000	20,400	1000	3/4	3/8	3/4	3/8	3/4	3/8	0.063	A4TXV01
	E*1P30B	EFV12BC	13.5	11.0	28,000	20,400	1000	3/4	3/8	3/4	3/8	3/4	3/8	0.063	A4TXV01
	E*1P36B	EFV12BC	13.5	11.0	28,000	20,400	1000	3/4	3/8	3/4	3/8	3/4	3/8	0.063	A4TXV01
4SCU13LE136P-5	BCE3M36C****P		13.0	10.5	34,000	25,000	1200	3/4	3/8	7/8	3/8	3/4 ⁴	3/8	0.072	A4TXV01
	BCS2M36S++++P		13.5	11.0	34,000	25,000	1200	3/4	3/8	7/8	3/8	3/4 ⁴	3/8	0.072	A4TXV01
	BCS2M36V++++P		13.5	11.0	34,000	25,000	1200	3/4	3/8	7/8	3/8	3/4 ⁴	3/8	0.072	A4TXV01
	BCE3M36E****X		14.0	11.0	34,000	25,000	1200	3/4	3/8	7/8	3/8	3/4 ⁴	3/8	NA	FACTORY INSTALLED A4TXV01
	E*1P36B	A80DF1E090B16	13.5	11.0	34,000	25,000	1200	3/4	3/8	3/4	3/8	3/4 ⁴	3/8	0.072	A4TXV01
	E*1P43B	A80DF1E090B16	13.5	11.0	34,000	25,000	1200	3/4	3/8	7/8	3/8	3/4 ⁴	3/8	0.072	A4TXV01
	E*1P36C	A80DF1E110C20	13.5	11.0	34,000	25,000	1200	3/4	3/8	3/4	3/8	3/4 ⁴	3/8	0.072	A4TXV01
	E*1P43C	A80DF1E110C20	13.5	11.0	34,000	25,000	1200	3/4	3/8	7/8	3/8	3/4 ⁴	3/8	0.072	A4TXV01
	E*1P50C+TDR	A80DF1E110C20	13.5	11.0	34,000	25,000	1200	3/4	3/8	7/8	3/8	3/4 ⁴	3/8	0.072	A4TXV01
	E*1P43B	A80DF2V090B16	13.5	11.0	34,000	25,000	1200	3/4	3/8	7/8	3/8	3/4 ⁴	3/8	0.072	A4TXV01
	E*1P36C	A80DF2V110C20	13.5	11.0	34,000	25,000	1200	3/4	3/8	3/4	3/8	3/4 ⁴	3/8	0.072	A4TXV01
	E*1P43C	A80DF2V110C20	13.5	11.0	34,000	25,000	1200	3/4	3/8	7/8	3/8	3/4 ⁴	3/8	0.072	A4TXV01
	E*1P50C+TDR	A80DF2V110C20	13.5	11.0	34,000	25,000	1200	3/4	3/8	7/8	3/8	3/4 ⁴	3/8	0.072	A4TXV01
	E*1P43B	A80DS2V090B16	13.5	11.0	34,000	25,000	1200	3/4	3/8	7/8	3/8	3/4 ⁴	3/8	0.072	A4TXV01
	E*1P36C	A80DS2V110C20	13.5	11.0	34,000	25,000	1200	3/4	3/8	3/4	3/8	3/4 ⁴	3/8	0.072	A4TXV01
	E*1P43C	A80DS2V110C20	13.5	11.0	34,000	25,000	1200	3/4	3/8	7/8	3/8	3/4 ⁴	3/8	0.072	A4TXV01
	E*1P50C+TDR	A80DS2V110C20	13.5	11.0	34,000	25,000	1200	3/4	3/8	7/8	3/8	3/4 ⁴	3/8	0.072	A4TXV01
	E*1P36B	A80UH1E090B16*	13.5	11.0	34,000	25,000	1200	3/4	3/8	3/4	3/8	3/4 ⁴	3/8	0.072	A4TXV01
	E*1P43B	A80UH1E090B16*	13.5	11.0	34,000	25,000	1200	3/4	3/8	7/8	3/8	3/4 ⁴	3/8	0.072	A4TXV01
	E*1P36C	A80UH1E090C20*	13.5	11.0	34,000	25,000	1200	3/4	3/8	3/4	3/8	3/4 ⁴	3/8	0.072	A4TXV01
	E*1P43C	A80UH1E090C20*	13.5	11.0	34,000	25,000	1200	3/4	3/8	7/8	3/8	3/4 ⁴	3/8	0.072	A4TXV01
	E*1P50C+TDR	A80UH1E090C20*	13.5	11.0	34,000	25,000	1200	3/4	3/8	7/8	3/8	3/4 ⁴	3/8	0.072	A4TXV01
	E*1P36C	A80UH1E110C20*	13.5	11.0	34,000	25,000	1200	3/4	3/8	3/4	3/8	3/4 ⁴	3/8	0.072	A4TXV01

Note:
 1 Certified in accordance with Unitary Air Conditioner Certification Program, which is based on AHRI Standard 210/240
 2 Required to achieve AHRI rating. If NA (Not Applicable) is in the piston column, then TXV is required.
 3 A blower time delay relay is required to achieve AHRI rating. This feature is standard on all Allied Air Enterprises furnace and AH products.
 4 For lines 25 ft or over, use 3/8"
 5 For lines 25 ft or over, use 3/4"
 6 For lines 25 ft or over, use 7/8"
 7 For lines 25 ft or over, use 1-1/8"

Cooling Performance with Air Handlers and Furnaces 36

Outdoor Model	Indoor Model	Variable Speed Furnace	SEER	EER	Rated ARI Capacity ¹ BTUH	Rated Sensible Capacity BTUH	CFM	Refrigerant Connection				Refrigerant Line Size		Indoor Expansion Device	
	Evaporator Coil ³ or Air Handler ³							Outdoor		Indoor		Suction	Liquid	Piston ²	TXV
								Suction	Liquid	Suction	Liquid				
4SCU13LE136P-5	E*1P43C	A80UH1E110C20*	13.5	11.0	34,000	25,000	1200	3/4	3/8	7/8	3/8	3/4 ⁴	3/8	0.072	A4TXV01
	E*1P50C+TDR	A80UH1E110C20*	13.5	11.0	34,000	25,000	1200	3/4	3/8	7/8	3/8	3/4 ⁴	3/8	0.072	A4TXV01
	E*1P36C	A80UH2V090C20	13.5	11.0	34,000	25,000	1200	3/4	3/8	3/4	3/8	3/4 ⁴	3/8	0.072	A4TXV01
	E*1P43C	A80UH2V090C20	13.5	11.0	34,000	25,000	1200	3/4	3/8	7/8	3/8	3/4 ⁴	3/8	0.072	A4TXV01
	E*1P50C+TDR	A80UH2V090C20	13.5	11.0	34,000	25,000	1200	3/4	3/8	7/8	3/8	3/4 ⁴	3/8	0.072	A4TXV01
	E*1P36C	A80UH2V110C20	13.5	11.0	34,000	25,000	1200	3/4	3/8	3/4	3/8	3/4 ⁴	3/8	0.072	A4TXV01
	E*1P43C	A80UH2V110C20	13.5	11.0	34,000	25,000	1200	3/4	3/8	7/8	3/8	3/4 ⁴	3/8	0.072	A4TXV01
	E*1P50C+TDR	A80UH2V110C20	13.5	11.0	34,000	25,000	1200	3/4	3/8	7/8	3/8	3/4 ⁴	3/8	0.072	A4TXV01
	E*1P36C	A80US2V090C20	13.5	11.0	34,000	25,000	1200	3/4	3/8	3/4	3/8	3/4 ⁴	3/8	0.072	A4TXV01
	E*1P43C	A80US2V090C20	13.5	11.0	34,000	25,000	1200	3/4	3/8	7/8	3/8	3/4 ⁴	3/8	0.072	A4TXV01
	E*1P50C+TDR	A80US2V090C20	13.5	11.0	34,000	25,000	1200	3/4	3/8	7/8	3/8	3/4 ⁴	3/8	0.072	A4TXV01
	E*1P36C	A80US2V110C20	13.5	11.0	34,000	25,000	1200	3/4	3/8	3/4	3/8	3/4 ⁴	3/8	0.072	A4TXV01
	E*1P43C	A80US2V110C20	13.5	11.0	34,000	25,000	1200	3/4	3/8	7/8	3/8	3/4 ⁴	3/8	0.072	A4TXV01
	E*1P50C+TDR	A80US2V110C20	13.5	11.0	34,000	25,000	1200	3/4	3/8	7/8	3/8	3/4 ⁴	3/8	0.072	A4TXV01
	E*1P36C	A95DF1E090C16S	13.5	11.0	34,000	25,000	1200	3/4	3/8	3/4	3/8	3/4 ⁴	3/8	0.072	A4TXV01
	E*1P43C	A95DF1E090C16S	13.5	11.0	34,000	25,000	1200	3/4	3/8	7/8	3/8	3/4 ⁴	3/8	0.072	A4TXV01
	E*1P50C+TDR	A95DF1E090C16S	13.5	11.0	34,000	25,000	1200	3/4	3/8	7/8	3/8	3/4 ⁴	3/8	0.072	A4TXV01
	E*1P36C	A95DF1E110C20S	13.5	11.0	34,000	25,000	1200	3/4	3/8	3/4	3/8	3/4 ⁴	3/8	0.072	A4TXV01
	E*1P43C	A95DF1E110C20S	13.5	11.0	34,000	25,000	1200	3/4	3/8	7/8	3/8	3/4 ⁴	3/8	0.072	A4TXV01
	E*1P50C+TDR	A95DF1E110C20S	13.5	11.0	34,000	25,000	1200	3/4	3/8	7/8	3/8	3/4 ⁴	3/8	0.072	A4TXV01
	E*1P36C	A95DF2V090C20S	13.5	11.0	34,000	25,000	1200	3/4	3/8	3/4	3/8	3/4 ⁴	3/8	0.072	A4TXV01
	E*1P43C	A95DF2V090C20S	13.5	11.0	34,000	25,000	1200	3/4	3/8	7/8	3/8	3/4 ⁴	3/8	0.072	A4TXV01
	E*1P50C+TDR	A95DF2V090C20S	13.5	11.0	34,000	25,000	1200	3/4	3/8	7/8	3/8	3/4 ⁴	3/8	0.072	A4TXV01
	E*1P36C	A95DF2V110C20S	13.5	11.0	34,000	25,000	1200	3/4	3/8	3/4	3/8	3/4 ⁴	3/8	0.072	A4TXV01
	E*1P43C	A95DF2V110C20S	13.5	11.0	34,000	25,000	1200	3/4	3/8	7/8	3/8	3/4 ⁴	3/8	0.072	A4TXV01
	E*1P50C+TDR	A95DF2V110C20S	13.5	11.0	34,000	25,000	1200	3/4	3/8	7/8	3/8	3/4 ⁴	3/8	0.072	A4TXV01
	E*1P36C	A95UH1E090C16S	13.5	11.0	34,000	25,000	1200	3/4	3/8	3/4	3/8	3/4 ⁴	3/8	0.072	A4TXV01
	E*1P43C	A95UH1E090C16S	13.5	11.0	34,000	25,000	1200	3/4	3/8	7/8	3/8	3/4 ⁴	3/8	0.072	A4TXV01
	E*1P50C+TDR	A95UH1E090C16S	13.5	11.0	34,000	25,000	1200	3/4	3/8	7/8	3/8	3/4 ⁴	3/8	0.072	A4TXV01
	E*1P36C	A95UH1E110C20S	13.5	11.0	34,000	25,000	1200	3/4	3/8	3/4	3/8	3/4 ⁴	3/8	0.072	A4TXV01
E*1P43C	A95UH1E110C20S	13.5	11.0	34,000	25,000	1200	3/4	3/8	7/8	3/8	3/4 ⁴	3/8	0.072	A4TXV01	

Note:
 1 Certified in accordance with Unitary Air Conditioner Certification Program, which is based on AHRI Standard 210/240
 2 Required to achieve AHRI rating. If NA (Not Applicable) is in the piston column, then TXV is required.
 3 A blower time delay relay is required to achieve AHRI rating. This feature is standard on all Allied Air Enterprises Furnace and AH products.
 4 For lines 25 ft or over, use 3/8"
 5 For lines 25 ft or over, use 3/4"
 6 For lines 25 ft or over, use 7/8"
 7 For lines 25 ft or over, use 1-1/8"

Cooling Performance with Air Handlers and Furnaces 36

Outdoor Model	Indoor Model	Variable Speed Furnace	SEER	EER	Rated ARI Capacity ¹ BTUH	Rated Sensible Capacity BTUH	CFM	Refrigerant Connection				Refrigerant Line Size		Indoor Expansion Device	
	Evaporator Coil ³ or Air Handler ³							Outdoor		Indoor		Suction	Liquid	Piston ²	TXV
								Suction	Liquid	Suction	Liquid				
4SCU13LE136P-5	E*1P50C+TDR	A95UH1E110C20S	13.5	11.0	34,000	25,000	1200	3/4	3/8	7/8	3/8	3/4 ⁴	3/8	0.072	A4TXV01
	E*1P36C	A95UH2V090C12S	13.5	11.0	34,000	25,000	1200	3/4	3/8	3/4	3/8	3/4 ⁴	3/8	0.072	A4TXV01
	E*1P43C	A95UH2V090C12S	13.5	11.0	34,000	25,000	1200	3/4	3/8	7/8	3/8	3/4 ⁴	3/8	0.072	A4TXV01
	E*1P50C+TDR	A95UH2V090C12S	13.5	11.0	34,000	25,000	1200	3/4	3/8	7/8	3/8	3/4 ⁴	3/8	0.072	A4TXV01
	E*1P36C	A95UH2V090C16S	13.5	11.0	34,000	25,000	1200	3/4	3/8	3/4	3/8	3/4 ⁴	3/8	0.072	A4TXV01
	E*1P43C	A95UH2V090C16S	13.5	11.0	34,000	25,000	1200	3/4	3/8	7/8	3/8	3/4 ⁴	3/8	0.072	A4TXV01
	E*1P50C+TDR	A95UH2V090C16S	13.5	11.0	34,000	25,000	1200	3/4	3/8	7/8	3/8	3/4 ⁴	3/8	0.072	A4TXV01
	E*1P36C	A95UH2V090C20S	13.5	11.0	34,000	25,000	1200	3/4	3/8	3/4	3/8	3/4 ⁴	3/8	0.072	A4TXV01
	E*1P43C	A95UH2V090C20S	13.5	11.0	34,000	25,000	1200	3/4	3/8	7/8	3/8	3/4 ⁴	3/8	0.072	A4TXV01
	E*1P50C+TDR	A95UH2V090C20S	13.5	11.0	34,000	25,000	1200	3/4	3/8	7/8	3/8	3/4 ⁴	3/8	0.072	A4TXV01
	E*1P36C	A95UH2V110C16S	13.5	11.0	34,000	25,000	1200	3/4	3/8	3/4	3/8	3/4 ⁴	3/8	0.072	A4TXV01
	E*1P43C	A95UH2V110C16S	13.5	11.0	34,000	25,000	1200	3/4	3/8	7/8	3/8	3/4 ⁴	3/8	0.072	A4TXV01
	E*1P50C+TDR	A95UH2V110C16S	13.5	11.0	34,000	25,000	1200	3/4	3/8	7/8	3/8	3/4 ⁴	3/8	0.072	A4TXV01
	E*1P36C	A95UH2V110C20S	13.5	11.0	34,000	25,000	1200	3/4	3/8	3/4	3/8	3/4 ⁴	3/8	0.072	A4TXV01
	E*1P43C	A95UH2V110C20S	13.5	11.0	34,000	25,000	1200	3/4	3/8	7/8	3/8	3/4 ⁴	3/8	0.072	A4TXV01
	E*1P50C+TDR	A95UH2V110C20S	13.5	11.0	34,000	25,000	1200	3/4	3/8	7/8	3/8	3/4 ⁴	3/8	0.072	A4TXV01
	E*1P36C	A97DSMV090C16*	13.5	11.0	34,000	25,000	1200	3/4	3/8	3/4	3/8	3/4 ⁴	3/8	0.072	A4TXV01
	E*1P43C	A97DSMV090C16*	13.5	11.0	34,000	25,000	1200	3/4	3/8	7/8	3/8	3/4 ⁴	3/8	0.072	A4TXV01
	E*1P50C	A97DSMV090C16*	13.5	11.0	34,000	25,000	1200	3/4	3/8	7/8	3/8	3/4 ⁴	3/8	0.072	A4TXV01
	E*1P36C	A97DSMV090C20*	13.5	11.0	34,000	25,000	1200	3/4	3/8	3/4	3/8	3/4 ⁴	3/8	0.072	A4TXV01
	E*1P43C	A97DSMV090C20*	13.5	11.0	34,000	25,000	1200	3/4	3/8	7/8	3/8	3/4 ⁴	3/8	0.072	A4TXV01
	E*1P50C	A97DSMV090C20*	13.5	11.0	34,000	25,000	1200	3/4	3/8	7/8	3/8	3/4 ⁴	3/8	0.072	A4TXV01
	E*1P36C	A97DSMV110C20*	13.5	11.0	34,000	25,000	1200	3/4	3/8	3/4	3/8	3/4 ⁴	3/8	0.072	A4TXV01
	E*1P43C	A97DSMV110C20*	13.5	11.0	34,000	25,000	1200	3/4	3/8	7/8	3/8	3/4 ⁴	3/8	0.072	A4TXV01
	E*1P50C	A97DSMV110C20*	13.5	11.0	34,000	25,000	1200	3/4	3/8	7/8	3/8	3/4 ⁴	3/8	0.072	A4TXV01
	E*1P36C	A97USMV090C12*	13.5	11.0	34,000	25,000	1200	3/4	3/8	3/4	3/8	3/4 ⁴	3/8	0.072	A4TXV01
	E*1P43C	A97USMV090C12*	13.5	11.0	34,000	25,000	1200	3/4	3/8	7/8	3/8	3/4 ⁴	3/8	0.072	A4TXV01
	E*1P50C	A97USMV090C12*	13.5	11.0	34,000	25,000	1200	3/4	3/8	7/8	3/8	3/4 ⁴	3/8	0.072	A4TXV01
E*1P36C	A97USMV090C16*	13.5	11.0	34,000	25,000	1200	3/4	3/8	3/4	3/8	3/4 ⁴	3/8	0.072	A4TXV01	
E*1P43C	A97USMV090C16*	13.5	11.0	34,000	25,000	1200	3/4	3/8	7/8	3/8	3/4 ⁴	3/8	0.072	A4TXV01	
E*1P50C	A97USMV090C16*	13.5	11.0	34,000	25,000	1200	3/4	3/8	7/8	3/8	3/4 ⁴	3/8	0.072	A4TXV01	

Note:
 1 Certified in accordance with Unitary Air Conditioner Certification Program, which is based on AHRI Standard 210/240
 2 Required to achieve AHRI rating. If NA (Not Applicable) is in the piston column, then TXV is required.
 3 A blower time delay relay is required to achieve AHRI rating. This feature is standard on all Allied Air Enterprises furnace and AH products.
 4 For lines 25 ft or over, use 3/8"
 5 For lines 25 ft or over, use 3/4"
 6 For lines 25 ft or over, use 7/8"
 7 For lines 25 ft or over, use 1-1/8"

Cooling Performance with Air Handlers and Furnaces 36, 42

Outdoor Model	Indoor Model	Variable Speed Furnace	SEER	EER	Rated ARI Capacity ¹ BTUH	Rated Sensible Capacity BTUH	CFM	Refrigerant Connection				Refrigerant Line Size		Indoor Expansion Device	
	Evaporator Coil ³ or Air Handler ³							Outdoor		Indoor		Suction	Liquid	Piston ²	TXV
								Suction	Liquid	Suction	Liquid				
4SCU13LE136P-5	E*1P36C	A97USMV090C20*	13.5	11.0	34,000	25,000	1200	3/4	3/8	3/4	3/8	3/4"	3/8	0.072	A4TXV01
	E*1P43C	A97USMV090C20*	13.5	11.0	34,000	25,000	1200	3/4	3/8	7/8	3/8	3/4"	3/8	0.072	A4TXV01
	E*1P50C	A97USMV090C20*	13.5	11.0	34,000	25,000	1200	3/4	3/8	7/8	3/8	3/4"	3/8	0.072	A4TXV01
	E*1P36C	A97USMV110C20*	13.5	11.0	34,000	25,000	1200	3/4	3/8	3/4	3/8	3/4"	3/8	0.072	A4TXV01
	E*1P43C	A97USMV110C20*	13.5	11.0	34,000	25,000	1200	3/4	3/8	7/8	3/8	3/4"	3/8	0.072	A4TXV01
	E*1P50C	A97USMV110C20*	13.5	11.0	34,000	25,000	1200	3/4	3/8	7/8	3/8	3/4"	3/8	0.072	A4TXV01
	E*1P36B	EFV12BC	13.5	11.0	34,000	25,000	1200	3/4	3/8	3/4	3/8	3/4"	3/8	0.072	A4TXV01
	E*1P43B	EFV12BC	13.5	11.0	34,000	25,000	1200	3/4	3/8	7/8	3/8	3/4"	3/8	0.072	A4TXV01
	E*1P50C+TDR	EFV16CC	13.5	11.0	34,000	25,000	1200	3/4	3/8	7/8	3/8	3/4"	3/8	0.072	A4TXV01
4SCU13LE142P-5	BCE3M42C****P		13.0	10.5	40,000	29,200	1400	3/4	3/8	7/8	3/8	3/4"	3/8	0.075	A4TXV01
	BCS2M42S++++P		13.5	11.0	40,000	29,200	1400	3/4	3/8	7/8	3/8	3/4"	3/8	0.075	A4TXV01
	BCS2M42V++++P		13.5	11.0	40,000	29,200	1400	3/4	3/8	7/8	3/8	3/4"	3/8	0.075	A4TXV01
	BCE3M42E****X		14.0	11.0	40,000	29,200	1400	3/4	3/8	7/8	3/8	3/4"	3/8	NA	FACTORY INSTALLED A4TXV01
	E*1P43C+TDR	A80DF1E110C20	13.5	11.0	40,000	29,200	1400	3/4	3/8	7/8	3/8	3/4"	3/8	0.075	A4TXV01
	E*1P49C	A80DF1E110C20	13.5	11.0	40,000	29,200	1400	3/4	3/8	7/8	3/8	3/4"	3/8	0.075	A4TXV01
	E*1P49C+TDR	A80DF1E110C20	13.5	11.0	40,000	29,200	1400	3/4	3/8	7/8	3/8	3/4"	3/8	0.075	A4TXV01
	E*1P50C+TDR	A80DF1E110C20	13.5	11.0	40,000	29,200	1400	3/4	3/8	7/8	3/8	3/4"	3/8	0.075	A4TXV01
	E*1P43C+TDR	A80DF2V110C20	13.5	11.0	40,000	29,200	1400	3/4	3/8	7/8	3/8	3/4"	3/8	0.075	A4TXV01
	E*1P49C+TDR	A80DF2V110C20	13.5	11.0	40,000	29,200	1400	3/4	3/8	7/8	3/8	3/4"	3/8	0.075	A4TXV01
	E*1P50C+TDR	A80DF2V110C20	13.5	11.0	40,000	29,200	1400	3/4	3/8	7/8	3/8	3/4"	3/8	0.075	A4TXV01
	E*1P43C+TDR	A80DS2V110C20	13.5	11.0	40,000	29,200	1400	3/4	3/8	7/8	3/8	3/4"	3/8	0.075	A4TXV01
	E*1P49C+TDR	A80DS2V110C20	13.5	11.0	40,000	29,200	1400	3/4	3/8	7/8	3/8	3/4"	3/8	0.075	A4TXV01
	E*1P50C+TDR	A80DS2V110C20	13.5	11.0	40,000	29,200	1400	3/4	3/8	7/8	3/8	3/4"	3/8	0.075	A4TXV01
	E*1P43C+TDR	A80UH1E090C20*	13.5	11.0	40,000	29,200	1400	3/4	3/8	7/8	3/8	3/4"	3/8	0.075	A4TXV01
	E*1P49C+TDR	A80UH1E090C20*	13.5	11.0	40,000	29,200	1400	3/4	3/8	7/8	3/8	3/4"	3/8	0.075	A4TXV01
	E*1P50C+TDR	A80UH1E090C20*	13.5	11.0	40,000	29,200	1400	3/4	3/8	7/8	3/8	3/4"	3/8	0.075	A4TXV01
	E*1P43C+TDR	A80UH1E110C20*	13.5	11.0	40,000	29,200	1400	3/4	3/8	7/8	3/8	3/4"	3/8	0.075	A4TXV01
	E*1P49C+TDR	A80UH1E110C20*	13.5	11.0	40,000	29,200	1400	3/4	3/8	7/8	3/8	3/4"	3/8	0.075	A4TXV01
	E*1P50C+TDR	A80UH1E110C20*	13.5	11.0	40,000	29,200	1400	3/4	3/8	7/8	3/8	3/4"	3/8	0.075	A4TXV01
	E*1P43C+TDR	A80UH2V090C20	13.5	11.0	40,000	29,200	1400	3/4	3/8	7/8	3/8	3/4"	3/8	0.075	A4TXV01
	E*1P49C+TDR	A80UH2V090C20	13.5	11.0	40,000	29,200	1400	3/4	3/8	7/8	3/8	3/4"	3/8	0.075	A4TXV01
	E*1P50C+TDR	A80UH2V090C20	13.5	11.0	40,000	29,200	1400	3/4	3/8	7/8	3/8	3/4"	3/8	0.075	A4TXV01

Note:
 1 Certified in accordance with Unitary Air Conditioner Certification Program, which is based on AHRI Standard 210/240
 2 Required to achieve AHRI rating. If NA (Not Applicable) is in the piston column, then TXV is required.
 3 A blower time delay relay is required to achieve AHRI rating. This feature is standard on all Allied Air Enterprises furnace and AH products.
 4 For lines 25 ft or over, use 3/8"
 5 For lines 25 ft or over, use 3/4"
 6 For lines 25 ft or over, use 7/8"
 7 For lines 25 ft or over, use 1-1/8"

Cooling Performance with Air Handlers and Furnaces 42

Outdoor Model	Indoor Model	Variable Speed Furnace	SEER	EER	Rated ARI Capacity ¹ BTUH	Rated Sensible Capacity BTUH	CFM	Refrigerant Connection				Refrigerant Line Size		Indoor Expansion Device	
	Evaporator Coil ² or Air Handler ³							Outdoor		Indoor		Suction	Liquid	Piston ²	TXV
								Suction	Liquid	Suction	Liquid				
4SCU13LE142P-5	E*1P43C+TDR	A80UH2V110C20	13.5	11.0	40,000	29,200	1400	3/4	3/8	7/8	3/8	3/4"	3/8	0.075	A4TXV01
	E*1P49C+TDR	A80UH2V110C20	13.5	11.0	40,000	29,200	1400	3/4	3/8	7/8	3/8	3/4"	3/8	0.075	A4TXV01
	E*1P43C+TDR	A80US2V090C20	13.5	11.0	40,000	29,200	1400	3/4	3/8	7/8	3/8	3/4"	3/8	0.075	A4TXV01
	E*1P49C+TDR	A80US2V090C20	13.5	11.0	40,000	29,200	1400	3/4	3/8	7/8	3/8	3/4"	3/8	0.075	A4TXV01
	E*1P50C+TDR	A80US2V090C20	13.5	11.0	40,000	29,200	1400	3/4	3/8	7/8	3/8	3/4"	3/8	0.075	A4TXV01
	E*1P43C+TDR	A80US2V110C20	13.5	11.0	40,000	29,200	1400	3/4	3/8	7/8	3/8	3/4"	3/8	0.075	A4TXV01
	E*1P49C+TDR	A80US2V110C20	13.5	11.0	40,000	29,200	1400	3/4	3/8	7/8	3/8	3/4"	3/8	0.075	A4TXV01
	E*1P43C+TDR	A95DF1E110C20S	13.5	11.0	40,000	29,200	1400	3/4	3/8	7/8	3/8	3/4"	3/8	0.075	A4TXV01
	E*1P49C+TDR	A95DF1E110C20S	13.5	11.0	40,000	29,200	1400	3/4	3/8	7/8	3/8	3/4"	3/8	0.075	A4TXV01
	E*1P50C+TDR	A95DF1E110C20S	13.5	11.0	40,000	29,200	1400	3/4	3/8	7/8	3/8	3/4"	3/8	0.075	A4TXV01
	E*1P43C+TDR	A95UH1E110C20S	13.5	11.0	40,000	29,200	1400	3/4	3/8	7/8	3/8	3/4"	3/8	0.075	A4TXV01
	E*1P49C+TDR	A95UH1E110C20S	13.5	11.0	40,000	29,200	1400	3/4	3/8	7/8	3/8	3/4"	3/8	0.075	A4TXV01
	E*1P43C+TDR	A95UH2V090C16S	13.5	11.0	40,000	29,200	1400	3/4	3/8	7/8	3/8	3/4"	3/8	0.075	A4TXV01
	E*1P49C+TDR	A95UH2V090C16S	13.5	11.0	40,000	29,200	1400	3/4	3/8	7/8	3/8	3/4"	3/8	0.075	A4TXV01
	E*1P50C+TDR	A95UH2V090C16S	13.5	11.0	40,000	29,200	1400	3/4	3/8	7/8	3/8	3/4"	3/8	0.075	A4TXV01
	E*1P43C+TDR	A95UH2V090C20S	13.5	11.0	40,000	29,200	1400	3/4	3/8	7/8	3/8	3/4"	3/8	0.075	A4TXV01
	E*1P49C+TDR	A95UH2V090C20S	13.5	11.0	40,000	29,200	1400	3/4	3/8	7/8	3/8	3/4"	3/8	0.075	A4TXV01
	E*1P50C+TDR	A95UH2V090C20S	13.5	11.0	40,000	29,200	1400	3/4	3/8	7/8	3/8	3/4"	3/8	0.075	A4TXV01
	E*1P43C+TDR	A95UH2V110C16S	13.5	11.0	40,000	29,200	1400	3/4	3/8	7/8	3/8	3/4"	3/8	0.075	A4TXV01
	E*1P49C+TDR	A95UH2V110C16S	13.5	11.0	40,000	29,200	1400	3/4	3/8	7/8	3/8	3/4"	3/8	0.075	A4TXV01
	E*1P50C+TDR	A95UH2V110C16S	13.5	11.0	40,000	29,200	1400	3/4	3/8	7/8	3/8	3/4"	3/8	0.075	A4TXV01
	E*1P43C+TDR	A95UH2V110C20S	13.5	11.0	40,000	29,200	1400	3/4	3/8	7/8	3/8	3/4"	3/8	0.075	A4TXV01
	E*1P49C+TDR	A95UH2V110C20S	13.5	11.0	40,000	29,200	1400	3/4	3/8	7/8	3/8	3/4"	3/8	0.075	A4TXV01
	E*1P50C+TDR	A95UH2V110C20S	13.5	11.0	40,000	29,200	1400	3/4	3/8	7/8	3/8	3/4"	3/8	0.075	A4TXV01
	E*1P43C	A97DSMV090C16*	13.5	11.0	40,000	29,200	1400	3/4	3/8	7/8	3/8	3/4"	3/8	0.075	A4TXV01
	E*1P49C	A97DSMV090C16*	13.5	11.0	40,000	29,200	1400	3/4	3/8	7/8	3/8	3/4"	3/8	0.075	A4TXV01
	E*1P43C	A97DSMV090C20*	13.5	11.0	40,000	29,200	1420	3/4	3/8	7/8	3/8	3/4"	3/8	0.075	A4TXV01
	E*1P43C	A97DSMV110C20*	13.5	11.0	40,000	29,200	1420	3/4	3/8	7/8	3/8	3/4"	3/8	0.075	A4TXV01
	E*1P49C	A97DSMV110C20*	13.5	11.0	40,000	29,200	1420	3/4	3/8	7/8	3/8	3/4"	3/8	0.075	A4TXV01
	E*1P43C	A97USMV090C16*	13.5	11.0	40,000	29,200	1400	3/4	3/8	7/8	3/8	3/4"	3/8	0.075	A4TXV01
	E*1P49C	A97USMV090C16*	13.5	11.0	40,000	29,200	1400	3/4	3/8	7/8	3/8	3/4"	3/8	0.075	A4TXV01
	E*1P50C	A97USMV090C16*	13.5	11.0	40,000	29,200	1400	3/4	3/8	7/8	3/8	3/4"	3/8	0.075	A4TXV01
	E*1P43C	A97USMV090C20*	13.5	11.0	40,000	29,200	1400	3/4	3/8	7/8	3/8	3/4"	3/8	0.075	A4TXV01
	E*1P49C	A97USMV090C20*	13.5	11.0	40,000	29,200	1400	3/4	3/8	7/8	3/8	3/4"	3/8	0.075	A4TXV01
	E*1P50C	A97USMV090C20*	13.5	11.0	40,000	29,200	1400	3/4	3/8	7/8	3/8	3/4"	3/8	0.075	A4TXV01
	E*1P43C	A97USMV110C20*	13.5	11.0	40,000	29,200	1400	3/4	3/8	7/8	3/8	3/4"	3/8	0.075	A4TXV01
	E*1P49C	A97USMV110C20*	13.5	11.0	40,000	29,200	1400	3/4	3/8	7/8	3/8	3/4"	3/8	0.075	A4TXV01
	E*1P50C	A97USMV110C20*	13.5	11.0	40,000	29,200	1400	3/4	3/8	7/8	3/8	3/4"	3/8	0.075	A4TXV01

Note:
 1 Certified in accordance with Unitary Air Conditioner Certification Program, which is based on AHRI Standard 210/240
 2 Required to achieve AHRI rating. If NA (Not Applicable) is in the piston column, then TXV is required.
 3 A blower time delay relay is required to achieve AHRI rating. This feature is standard on all Allied Air Enterprises furnace and AH products.
 4 For lines 25 ft or over, use 3/8"
 5 For lines 25 ft or over, use 3/4"
 6 For lines 25 ft or over, use 7/8"
 7 For lines 25 ft or over, use 1-1/8"

Cooling Performance with Air Handlers and Furnaces 48, 60

Outdoor Model	Indoor Model	Variable Speed Furnace	SEER	EER	Rated ARI Capacity ¹ BTUH	Rated Sensible Capacity BTUH	CFM	Refrigerant Connection				Refrigerant Line Size		Indoor Expansion Device	
	Evaporator Coil ³ or Air Handler ³							Outdoor		Indoor		Suction	Liquid	Piston ²	TXV
								Suction	Liquid	Suction	Liquid				
4SCU13LE148P-5	BCE3M48C****P		13.0	11.0	47,000	34,300	1600	7/8	3/8	7/8	3/8	7/8	3/8	0.082	A4TXV02
	BCS2M48S++++P		13.5	11.0	47,000	34,300	1600	7/8	3/8	7/8	3/8	7/8	3/8	0.082	A4TXV02
	BCE3M48E****X		14.0	11.0	47,000	34,300	1600	7/8	3/8	7/8	3/8	7/8	3/8	NA	FACTORY INSTALLED - A4TXV02
	BCS2M48V++++P		13.5	11.0	47,000	34,300	1600	7/8	3/8	7/8	3/8	7/8	3/8	0.082	A4TXV02
4SCU13LE160P-5	BCE3M60C****P		13.0	11.0	56,000	41,000	1800	7/8	3/8	7/8	3/8	7/8 ⁵	3/8	0.09	A4TXV02
	BCS2M60S++++P		13.5	11.0	57,000	41,000	1800	7/8	3/8	7/8	3/8	7/8 ⁵	3/8	0.09	A4TXV02
	BCE3M60E****X		13.5	11.0	56,000	41,000	1800	7/8	3/8	7/8	3/8	7/8 ⁵	3/8	NA	FACTORY INSTALLED - A4TXV02
	BCS2M60V++++P		13.5	11.0	57,000	41,000	1800	7/8	3/8	7/8	3/8	7/8 ⁵	3/8	0.09	A4TXV02

Note:
 1 Certified in accordance with Unitary Air Conditioner Certification Program, which is based on AHRI Standard 210/240
 2 Required to achieve AHRI rating. If NA (Not Applicable) is in the piston column, then TXV is required.
 3 A blower time delay relay is required to achieve AHRI rating. This feature is standard on all Allied Air Enterprises furnace and AH products.
 4 For lines 25 ft or over, use 3/8"
 5 For lines 25 ft or over, use 3/4"
 6 For lines 25 ft or over, use 7/8"
 7 For lines 25 ft or over, use 1-1/8"

Accessories

Description	Where Used	Kit Number
Crankcase Heater	18, 24, 30, 36	93M04
	42, 48, 60	93M05
Hard Start Kit	18	10J42
	24, 30, 36, 42, 48, 60	88M91
Low Ambient Kit	18, 24, 30, 36, 42, 48, 60	34M72
Short Cycle Protector	18, 24, 30, 36, 42, 48, 60	47J27
Freezestat Kit	3/8 tubing	93G35
	5/8 tubing	50A93
Time Delay Relay	18, 24, 30, 36, 42, 48, 60	58M81
Loss of Charge Kit	18, 24, 30, 36, 42, 48, 60	Factory Installed 84M23
Sound Blanket	18, 24, 30, 36	Factory Installed 14W00
	42, 48, 60	Factory Installed 14W01
TXV Kit	18, 24, 30, 36, 42	A4TXV01
	48, 60	A4TXV02

Cooling Performance Extended Ratings

Outdoor Model	Indoor Model	Indoor Temp DB/WB °F	Outdoor Temp - DB°F														
			65			82			95			105			115		
			Btuh	S/T	kW	Btuh	S/T	kW	Btuh	S/T	kW	Btuh	S/T	kW	Btuh	S/T	kW
4SCU13LE118P-5	E*1P24	85/72	23,500	0.63	1.27	21,200	0.65	1.52	20,700	0.68	1.66	18,500	0.70	1.83	18,000	0.73	2.00
		80/67	21,600	0.68	1.25	20,600	0.70	1.41	19,000	0.73	1.64	18,000	0.78	1.80	16,600	0.81	2.02
		75/63	20,200	0.74	1.26	18,500	0.76	1.35	17,000	0.80	1.64	15,100	0.83	1.80	14,200	0.88	1.99
		75/57	18,200	1.00	1.26	16,300	1.00	1.30	15,700	1.00	1.65	14,300	1.00	1.81	13,400	1.00	1.99
4SCU13LE124P-5	E*1P24	85/72	29,500	0.63	1.61	27,400	0.65	1.99	25,900	0.68	2.12	23,500	0.72	2.34	22,400	0.73	2.58
		80/67	27,200	0.70	1.59	25,300	0.72	1.95	23,600	0.76	2.10	20,500	0.79	2.31	19,600	0.83	2.54
		75/63	25,500	0.73	1.57	24,100	0.75	1.91	21,200	0.80	2.08	19,600	0.81	2.29	17,600	0.87	2.50
		75/57	22,800	1.00	1.56	21,600	1.00	1.89	19,200	1.00	2.06	18,400	1.00	2.28	16,600	1.00	2.50
4SCU13LE130P-5	E*1P24	85/72	35,100	0.62	1.96	33,100	0.65	2.41	31,000	0.67	2.57	28,400	0.69	3.00	26,800	0.72	3.17
		80/67	33,000	0.68	1.92	31,500	0.69	2.39	29,500	0.75	2.56	26,500	0.79	2.97	23,800	0.82	3.13
		75/63	31,000	0.71	1.90	29,100	0.73	2.31	26,200	0.77	2.51	24,300	0.82	2.95	21,900	0.84	3.09
		75/57	29,500	1.00	1.89	26,400	1.00	2.10	24,000	1.00	2.48	22,100	1.00	2.89	19,600	1.00	3.01
4SCU13LE136P-5	E*1P36	85/72	42,100	0.61	2.40	39,890	0.64	2.86	38,200	0.67	3.22	35,650	0.70	3.61	33,100	0.73	3.99
		80/67	39,900	0.68	2.38	37,010	0.73	2.85	34,800	0.76	3.21	32,150	0.79	3.58	29,500	0.81	3.95
		75/63	37,900	0.71	2.36	34,727	0.75	2.82	32,300	0.78	3.17	29,600	0.82	3.53	26,900	0.86	3.88
		75/57	35,800	1.00	2.33	32,570	1.00	2.77	30,100	1.00	3.11	27,150	1.00	3.47	24,200	1.00	3.82
4SCU13LE142P-5	E*1P43	85/72	52,200	0.61	2.97	49,100	0.63	3.56	46,900	0.65	3.91	44,800	0.69	4.62	41,300	0.70	4.79
		80/67	48,300	0.68	2.92	44,200	0.73	3.49	42,300	0.75	3.89	40,200	0.77	4.52	36,400	0.79	4.69
		75/63	45,100	0.72	2.88	41,600	0.72	3.35	39,200	0.77	3.80	37,100	0.81	4.49	32,400	0.83	4.59
		75/57	40,300	1.00	2.83	38,200	1.00	3.34	35,500	1.00	3.74	34,000	1.00	4.45	32,200	1.00	4.50
4SCU13LE148P-5	E*1P49	85/72	61,100	0.63	3.56	57,870	0.65	4.50	55,400	0.66	4.57	52,000	0.69	5.03	48,600	0.71	5.48
		80/67	56,800	0.69	3.49	53,230	0.71	4.06	50,500	0.73	4.50	46,800	0.76	4.95	43,100	0.79	5.39
		75/63	53,300	0.72	3.44	49,447	0.75	4.01	46,500	0.77	4.44	42,800	0.80	4.92	39,100	0.83	5.39
		75/57	47,000	1.00	3.39	43,713	1.00	3.95	41,200	1.00	4.38	38,500	1.00	4.85	35,800	1.00	5.31
4SCU13LE160P-5	E*1P49	85/72	69,800	0.61	4.02	66,457	0.63	4.75	63,900	0.64	5.30	59,950	0.67	5.87	56,000	0.69	6.44
		80/67	65,400	0.68	3.96	61,490	0.70	4.72	58,500	0.71	5.30	54,600	0.74	5.83	50,700	0.77	6.36
		75/63	61,400	0.71	3.90	56,923	0.73	4.59	53,500	0.75	5.12	49,650	0.78	5.70	45,800	0.81	6.27
		75/57	45,400	1.00	3.83	46,760	1.00	4.54	47,800	1.00	5.09	45,600	1.00	5.67	43,400	1.00	6.24

NOTE: Extended data shown is actual for models listed and typical for all AHRI matches.



1-800-448-5872

All specifications and illustrations subject to change without notice and without incurring obligations.