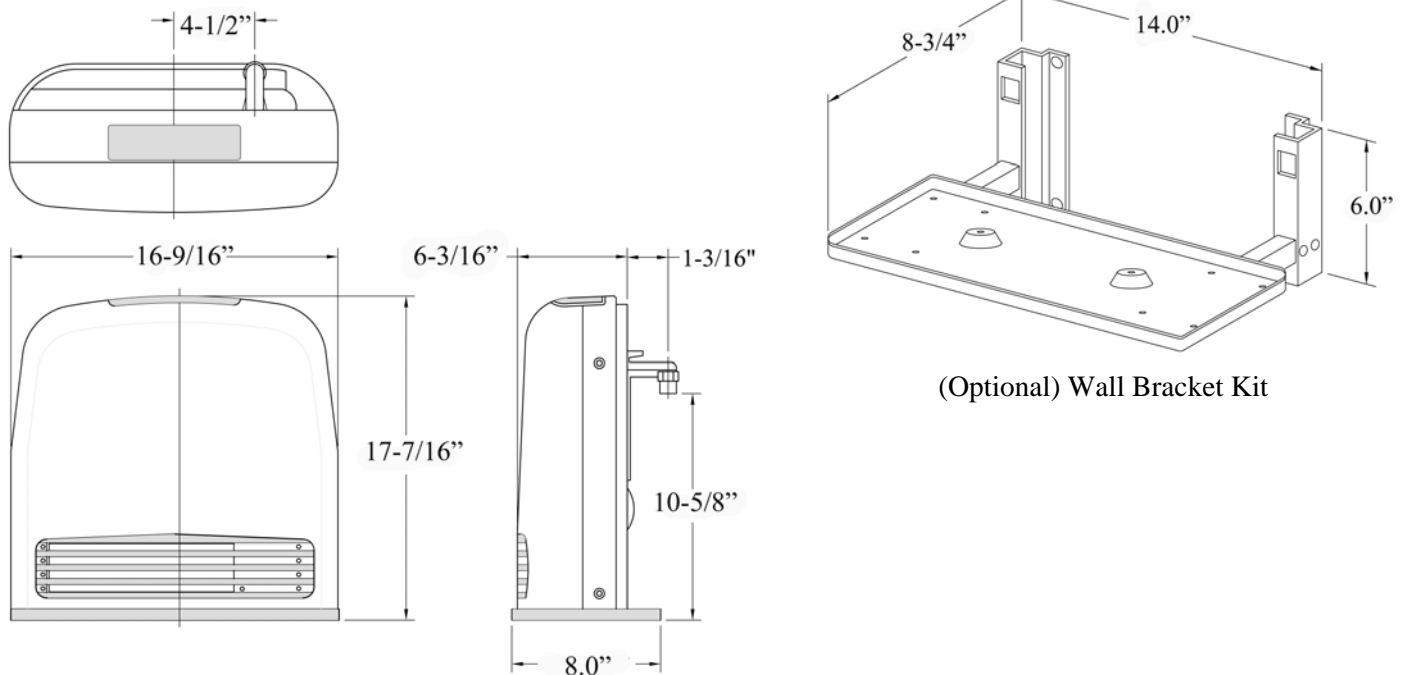


SILENT SERVANT CONVECTOR VENT-FREE SPACE HEATER

	<u>Natural Gas</u> RCE-429A-N	<u>Propane</u> RCE-429A-P
Rinnai model number:		
Gas Rate (Input):	Btu/hr	Btu/hr
Low:	4,000	5,200
High:	14,000	14,000
Efficiency Rating:	99.9%	99.9%
Gas Supply Pressure:	WC	WC
Min:	5.9"	8.1"
Max:	10.5"	13.0"
Description:	Efficient, vent-free convection heater	
Connections:	Electrical – AC 120V 60Hz 29 watts Gas – ½" NPT	
Combustion System:	Stainless steel Bunsen burner	
Ignition System:	Continuous spark	
Operating Buttons:	ON/OFF, Up/Down, Function-lock, Economy	
Economy Mode:	Energy savings feature	
Weight:	Approx. 17.6 lbs	
Clearance from Combustibles:	Side: 2" Top: 2" Back: 2" Front: 30"	

Dimensions:



RCE-429A

Warm Air Outlet:	Bottom front louvers
Fan CFM Output:	Low: 64 High: 106
Operation:	Finger touch control buttons
Temperature Control:	Electronic thermostat HI-LOW/OFF, Up/Down switch 2°F increments
Temperature Range:	LOW=55°F 60°F~80°F HI=High Combustion
Safety Devices:	Flame failure – flame rod Over heat – Bi-metal switch, thermal fuse, thermistor Power failure – PCB, gas valve will automatically close Tilt Switch- If the heater is knocked over the gas supply will shut off. Child Safety Lock Oxygen depletion safety device- will cut the gas supply off when low oxygen is sensed.

Control Panel:

