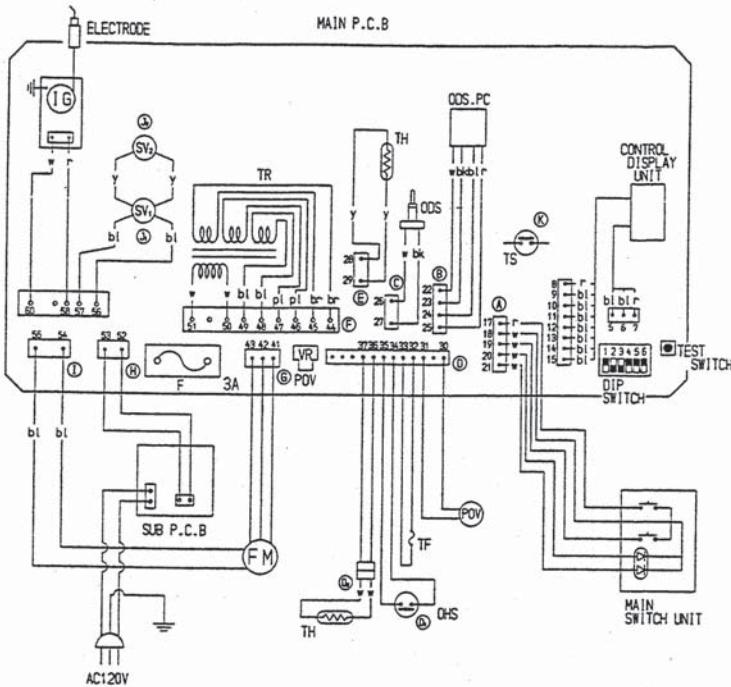


Rinnai

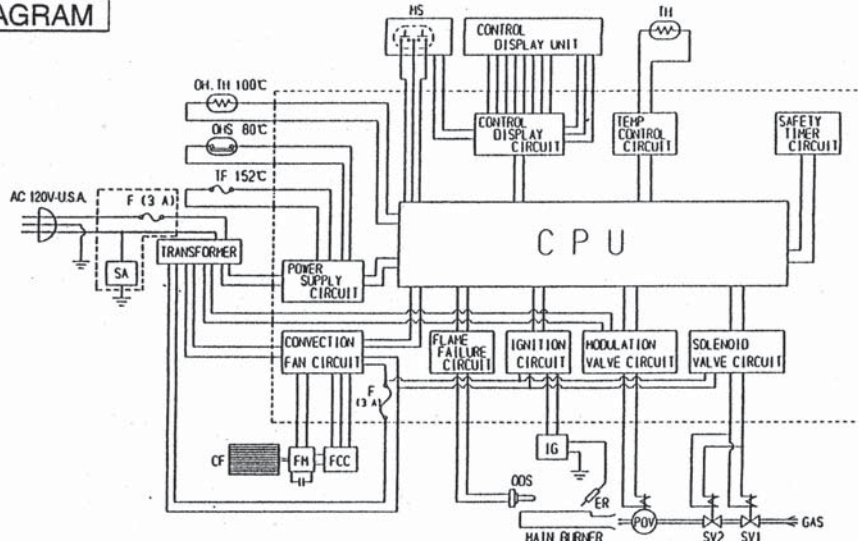
WIRING DIAGRAM

RCE-506A

WIRING DIAGRAM



BLOCK DIAGRAM



If any of the original wire as supplied with the appliance must be replaced, it must be replaced with a wire of a least a 194°F temperature rating and number 18AWG or its equivalent. "CAUTION: Label all wires prior to disconnection when servicing controls. Wiring errors can cause improper and dangerous operation." Verify operation after servicing.