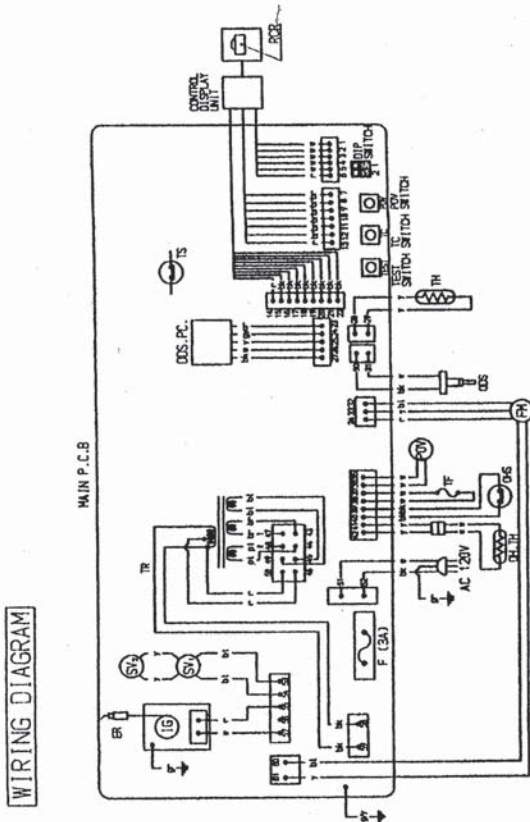


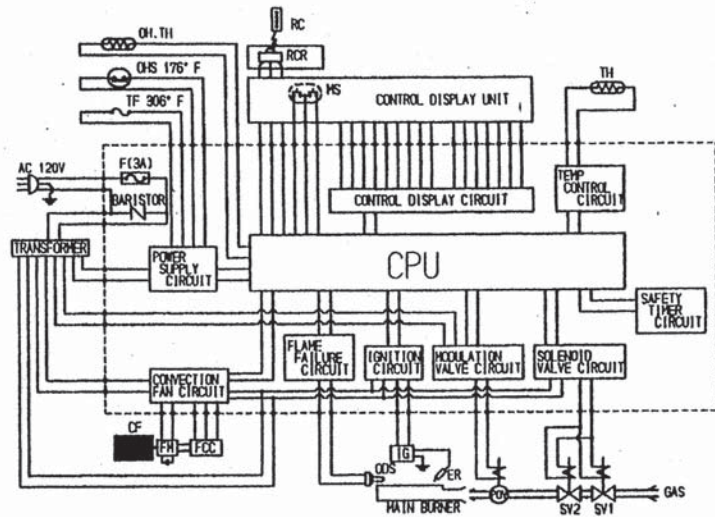
# Rinnai

## WIRING DIAGRAM

RCE-606TRA



BLOCK DIAGRAM



CODE	COLOR	CODE	COLOR
bk	black	or	orange
bl	blue	pl	purple
br	brown	r	red
g	green	w	white
gr/y	green/yellow	y	yellow
gy	grey		

MARK	PARTS NAME	MARK	PARTS NAME
MS	MAIN SWITCH	OH, TH	OVER HEAT THERMISTOR
TH	THERMISTOR	OHS	OVER HEAT SWITCH
TF	THERMAL FUSE	FH	FAN MOTOR
F	FUSE	IG	IGNITER
CF	CONVECTION FAN	SV1-2	MAIN SOLENOID VALVE 1-2
FCC	FAN CONTROL CIRCUIT	CPU	CENTRAL PROCESSING UNIT
ER	ELECTRODE	ODS	OXYGEN DEPLETION SENSOR
POV	MODULATING SOLENOID VALVE	TS	TILT SWITCH
TR	TRANSFORMER	RC	REMOTE CONTROL
		RCR	REMOTE CONTROL RECEIVER

If any of the original wire as supplied with the appliance must be replaced, it must be replaced with a wire of a least a 194°F temperature rating and number 18AWG or its equivalent. “CAUTION: Label all wires prior to disconnection when servicing controls. Wiring errors can cause improper and dangerous operation.” Verify operation after servicing.