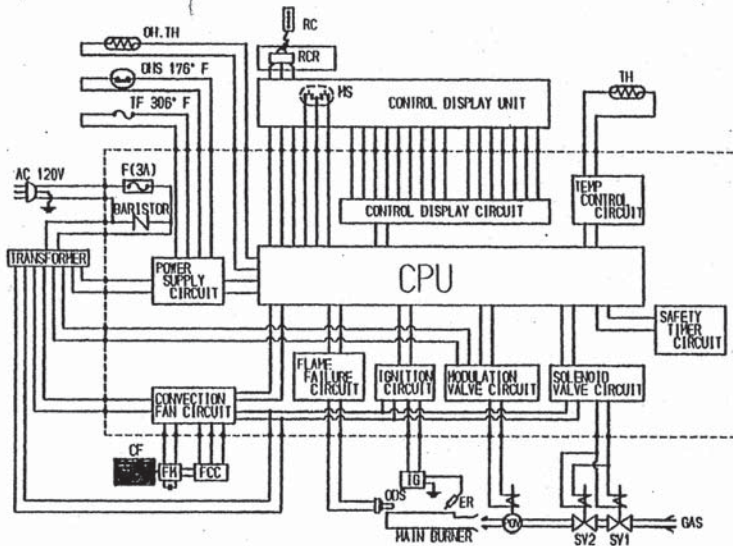


# Rinnai

## WIRING DIAGRAM

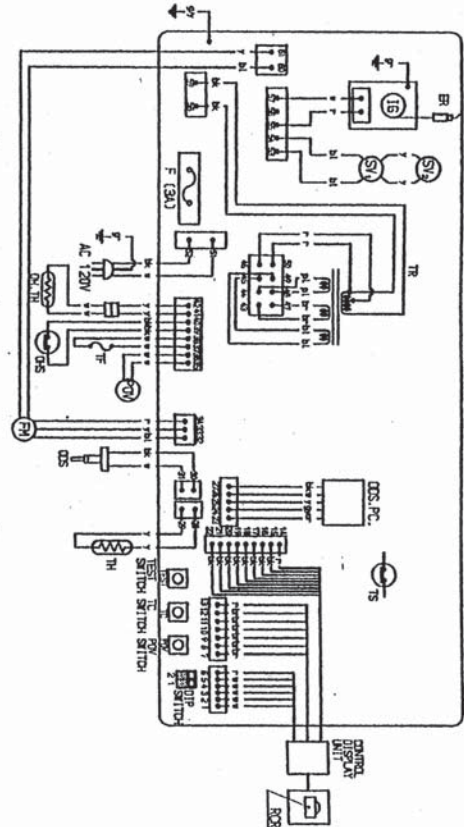
RCE-606TRAH

### BLOCK DIAGRAM



CODE	COLOR	CODE	COLOR
bk	black	or	orange
bl	blue	pl	purple
br	brown	r	red
g	green	w	white
gr/y	green/yellow	y	yellow
gy	gray		

MARK	PARTS NAME	MARK	PARTS NAME
HS	MAIN SWITCH	OH, TH	OVER HEAT THERMISTOR
TH	THERMISTOR	OHS	OVER HEAT SWITCH
TF	THERMAL FUSE	FH	FAN MOTOR
F	FUSE	IG	IGNITER
CF	CONVECTION FAN	SV1~2	MAIN SOLENOID VALVE 1~2
FCC	FAN CONTROL CIRCUIT	CPU	CENTRAL PROCESSING UNIT
ER	ELECTRODE	OOS	OXYGEN DEPLETION SENSOR
POV	MODULATING SOLENOID VALVE	TS	TILT SWITCH
TR	TRANSFORMER	RC	REMOTE CONTROL
		ROR	REMOTE CONTROL RECEIVER



### WIRING DIAGRAM

If any of the original wire as supplied with the appliance must be replaced, it must be replaced with a wire of a least a 194°F temperature rating and number 18AWG or its equivalent. "CAUTION: Label all wires prior to disconnection when servicing controls. Wiring errors can cause improper and dangerous operation." Verify operation after servicing.