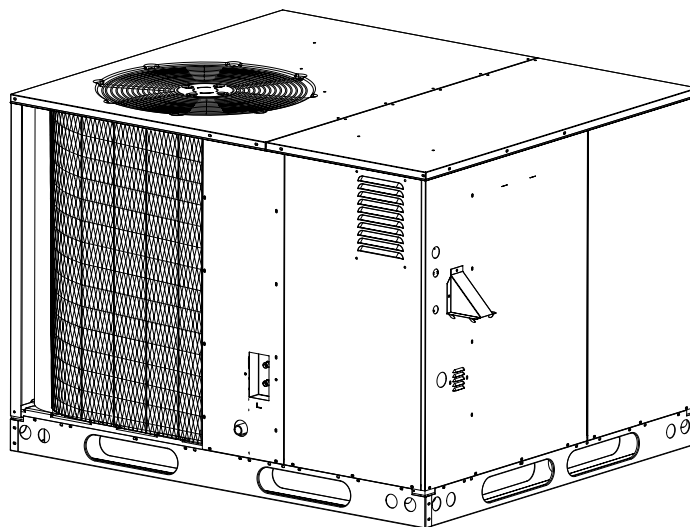


R6GD Series

Single Packaged Gas/Electric Units

R6GD 13 SEER, R-410A 2 Ton thru 5 Ton Units

The R6GD Series single packaged gas/electrics are high efficiency self contained cooling units that can be installed on the roof or on a slab. The convertible unit design makes installations simple in all applications. Units are ETL and ETLc listed.



FEATURES AND BENEFITS

• **Warranty**

- This product offers a 10 year All Parts Warranty.
- This product offers a 10 year Quality Pledge to replace the entire unit, if the unit's major component (heat exchanger or compressor) fails within the first 10 years of operation, to the original owner.
- Consumer product registration required for both 10 year All Parts Warranty and Quality Pledge within a limited period of time after the installation. See current warranty document or visit our consumer web site listed on the back of this document for warranty details.

• **Compact Footprint/Low Profile**
Easy to handle and transport.

• **Heavy-Gauge, Full Perimeter Base Rails**

Facilitates forklift handling and curb mounting.

• **Convertible Air Delivery**

Horizontal or downflow to accommodate rooftop or horizontal application.

• **Galvanized Steel Cabinet**

Polyurethane finish provides 950 hour salt spray protection to resist corrosion.

• **Plastic Coated Coil Guard and Mesh Hail Guard**

Will never rust and protect the coil from being damaged by balls, lawnmowers, hail etc.

• **Accessible Service Ports**

Quick access to refrigerant system without disrupting operation.

• **Access to Controls and Major Components**

Easy in and out service.

• **R-410A Refrigerant**

Environmentally friendly.

• **Corrosion-Resistant Drain Pan**

Quickly drains away evaporator condensate.

• **Smaller Panels, Great Fit and Finish, Total Seal**

Well-designed, quality construction. Drip edge on top panels whisks away rainwater. Embossed bottom pan keeps blower component compartment dry.

• **Proven, Industry Standard Components**

Easier service and availability.

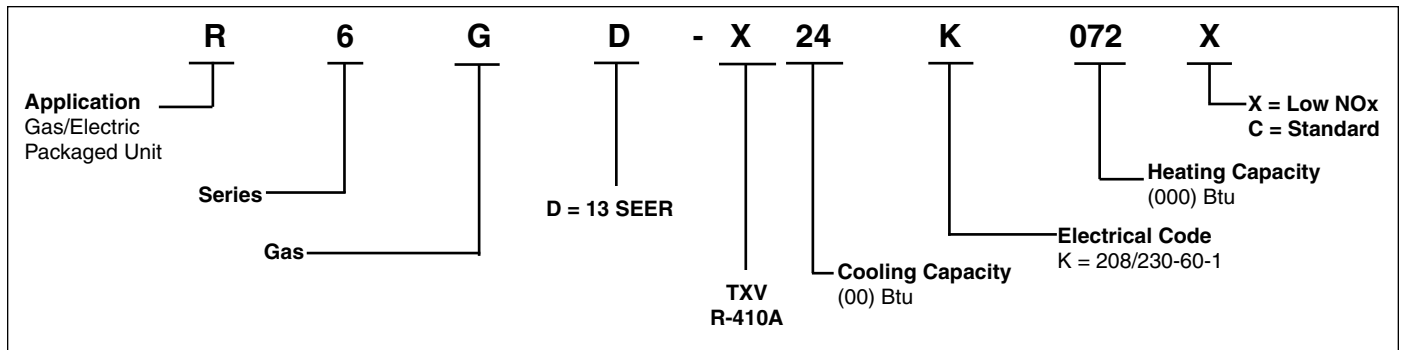
• **Quiet Operation**

Low vibration. 20" fan blade combined with custom venturi condenser fan.

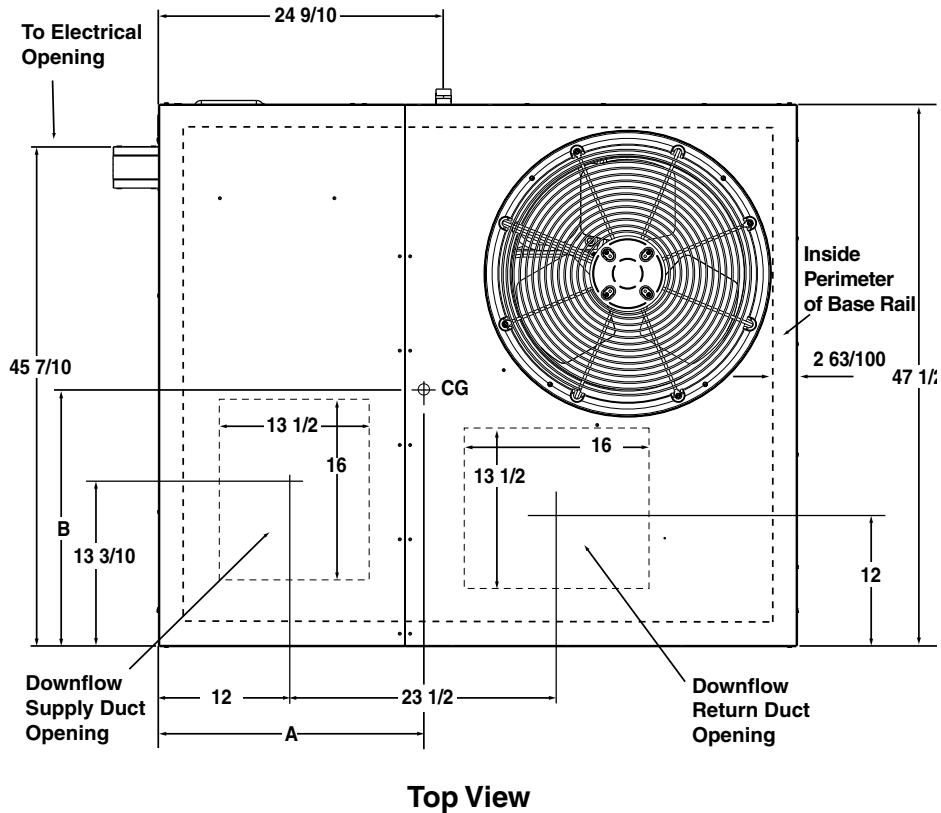
• **High/Low Pressure Switch**

Added compressor protection.

MODEL IDENTIFICATION CODE



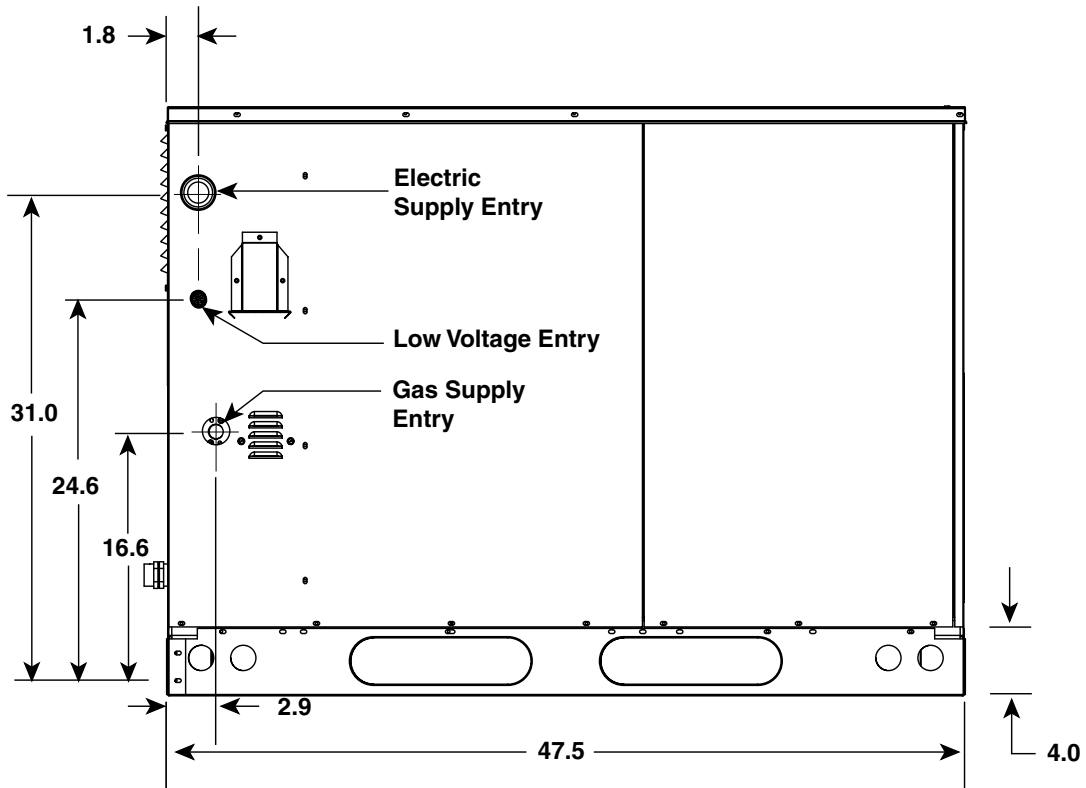
DIMENSIONS



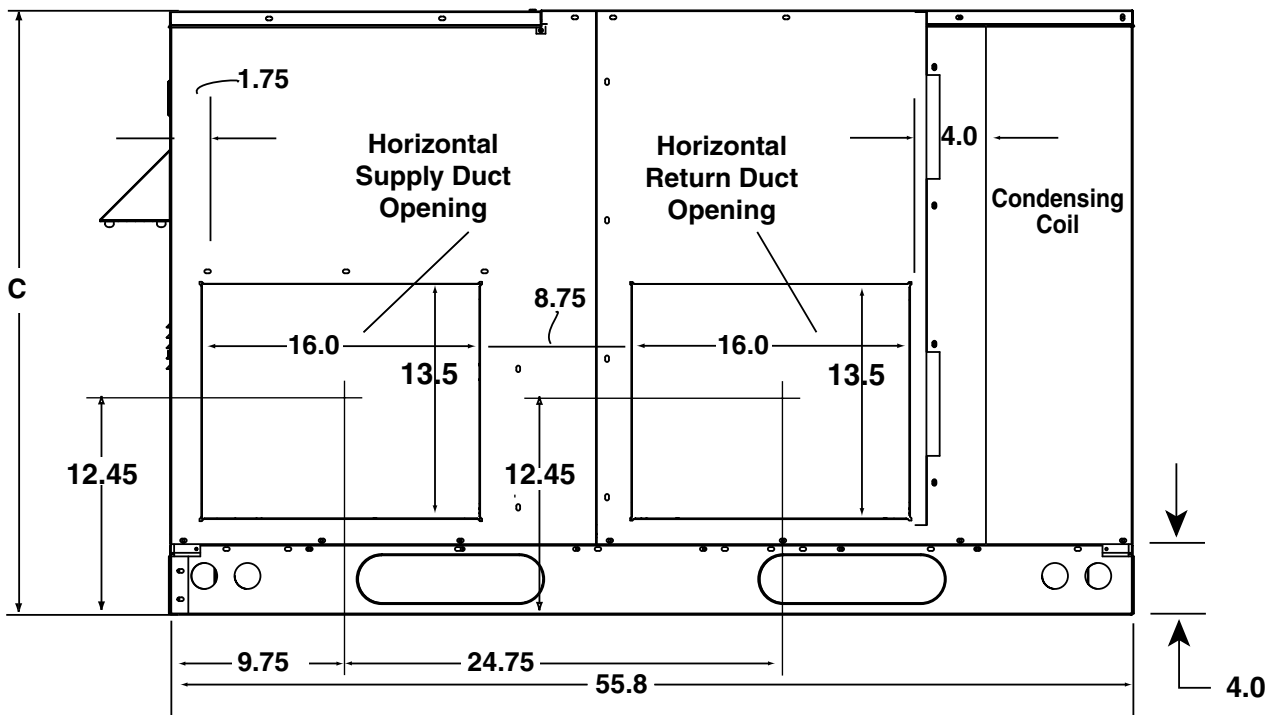
Model Number R6GD	Unit Weight	Shipping Weight	Center of Gravity		Height (in inches)	
			A	B	C	
					with base rails	without base rails
X24K045†	425	435	26.5	26.5	39.0	35.3
X24K072†	435	445	26.0	26.5	39.0	35.3
X30K045†	430	440	26.5	26.5	39.0	35.3
X30K072†	440	450	26.0	26.5	39.0	35.3
X36K072†	470	480	26.5	26.5	39.0	35.3
X36K096†	485	495	26.0	26.5	39.0	35.3
X42K072†	500	510	27.0	26.5	39.0	35.3
X42K096†	515	525	27.0	26.5	39.0	35.3
X48K096†	540	550	27.5	26.5	43.0	39.3
X48K120†	555	565	27.5	26.5	43.0	39.3
X60K096†	560	570	27.5	26.5	43.0	39.3
X60K120†	575	585	27.5	26.5	43.0	39.3

† Denotes either "C" or "X"

DIMENSIONS (Continued)



Side View



Back View

SPECIFICATIONS AND ELECTRICAL DATA

SINGLE PHASE

MODEL R6GD	-X24K045(*)	-X24K072(*)	-X30K045(*)	-X30K072(*)	-X36K072(*)	-X36K096(*)	-X42K72(*)	-X42K96(*)	-X48K96(*)	-X48K120(*)	-X60K096(*)	-X60K120(*)
Performance												
Heating Input Btuh	45,000	72,000	45,000	72,000	72,000	96,000	72,000	96,000	96,000	120,000	96,000	120,000
Heating Output Btuh	35,100	57,600	35,100	57,600	57,600	76,800	57,600	76,800	76,800	96,000	76,800	96,000
Capacity-Cooling Btuh	24,000	24,000	28,400	28,400	36,000	36,000	42,000	42,000	47,800	47,800	56,500	56,500
AFUE	78	80	78	80	80	80	80	80	80	80	80	80
Efficiency -- SEER	13.5	13.50	13.3	13.3	13.5	13.5	13.0	13.0	13.0	13.0	13.0	13.0
Efficiency -- EER	12.0	12.0	11.5	11.5	11.8	11.8	10.8	10.8	11.0	11.0	11.0	11.0
Electrical Rating - 60 Hz												
Phase	1	1	1	1	1	1	1	1	1	1	1	1
Operating Voltage Range	187 - 253	187 - 253	187 - 253	187 - 253	187 - 253	187 - 253	187 - 253	187 - 253	187 - 253	187 - 253	187 - 253	187 - 253
Minimum Circuit Ampacity	22.7	22.7	26.3	26.3	29.9	29.9	36.2	36.2	39.0	39.0	46.8	46.8
Max. Overcurrent Protection	35	35	40	40	45	45	50	50	60	60	70	70
Compressor Data												
Volts	208 / 230	208 / 230	208 / 230	208 / 230	208 / 230	208 / 230	208 / 230	208 / 230	208 / 230	208 / 230	208 / 230	208 / 230
Rated Load Amps	12.8	12.8	15.7	15.7	18.6	18.6	22.1	22.1	24.3	24.3	29.3	29.3
Lock Rotor Amps	58.3	58.3	73	73	79	79	109	109	117	117	134	134
Indoor Blower												
Wheel Diameter	10 x 10	10 x 10	10 x 10	10 x 10	10 x 10	10 x 10	10 x 10	10 x 10	10 x 10	10 x 10	11 x 10	11 x 10
Motor Type	Fixed Torque	Fixed Torque	Fixed Torque	Fixed Torque	Fixed Torque	Fixed Torque	Fixed Torque	Fixed Torque	Fixed Torque	Fixed Torque	Fixed Torque	Fixed Torque
Motor HP	1/2	1/2	1/2	1/2	1/2	1/2	3/4	3/4	3/4	3/4	1	1
Motor Amps	4.1	4.1	4.1	4.1	4.1	4.1	6.0	6.0	6.0	6.0	7.6	7.6
Outdoor Fan												
Motor HP	1/4	1/4	1/4	1/4	1/4	1/4	1/4	1/4	1/4	1/4	1/4	1/4
Motor Amps	1.2	1.2	1.2	1.2	1.2	1.2	1.2	1.2	1.2	1.2	1.2	1.2
Fan Diameter/CFM	20" / 3800	20" / 3800	20" / 3800	20" / 3800	20" / 3800	20" / 3800	20" / 3800	20" / 3800	20" / 3800	20" / 3800	20" / 3800	20" / 3800
Refrigerant Charge (oz)	99.2	99.2	96	96	112	112	115.2	115.2	224	224	184	184

AIRFLOW DATA

Model Number R6GD-	Heating Input (Btu/h)	Heating Output (Btu/h)	Heating Rise Range (F)	Cooling Output (Btu/h)	Blower Size	Motor HP	Motor Tap	External Static Pressure Drop - inches water column															
								0.1		0.2		0.3		0.4		0.5		0.6		0.7		0.8	
								(cfm)	(°F) Rise	(cfm)	(°F) Rise	(cfm)	(°F) Rise	(cfm)	(°F) Rise	(cfm)	(°F) Rise	(cfm)	(°F) Rise	(cfm)	(°F) Rise	(cfm)	(°F) Rise
X24C045(†)	45,000	35,100	30-60	24,000	10 x 10	1/2	Tap T1	845	38.46	735	44.22	625	52.00	540	--	453	--	335	--	217	--	207	--
							*Tap T2	845	38.46	735	44.22	625	52.00	540	--	453	--	335	--	217	--	207	--
							**Tap T3	905	35.91	830	39.16	750	43.33	690	47.10	635	51.18	575	56.52	515	--	495	--
							Tap T4	950	34.21	880	36.93	810	40.12	755	43.05	705	46.10	655	49.62	600	54.17	570	57.02
							Tap T5	1110	--	1065	30.52	1020	31.86	965	33.68	910	35.71	865	37.57	825	39.39	790	41.14
X24C072(†)	72,000	57,600	40-70	24,000	10 x 10	1/2	Tap T1	845	63.12	735	--	625	--	540	--	453	--	335	--	217	--	207	--
							*Tap T2	845	63.12	735	--	625	--	540	--	453	--	335	--	217	--	207	--
							Tap T3	950	56.14	880	60.61	810	65.84	755	--	705	--	655	--	600	--	570	--
							**Tap T4	1110	48.05	1065	50.08	1020	52.29	965	55.27	910	58.61	865	61.66	825	64.65	790	67.51
							Tap T5	1260	42.33	1215	43.90	1175	45.39	1125	47.41	1075	49.61	1030	51.78	990	53.87	960	55.56
X30C045(†)	45,000	35,100	30-60	28,400	10 x 10	1/2	Tap T1	845	38.46	735	44.22	625	52.00	540	--	453	--	335	--	217	--	207	--
							*Tap T2	845	38.46	735	44.22	625	52.00	540	--	453	--	335	--	217	--	207	--
							**Tap T3	905	35.91	830	39.16	750	43.33	690	47.10	635	51.18	575	56.52	515	--	495	--
							Tap T4	950	34.21	880	36.93	810	40.12	755	43.05	705	46.10	655	49.62	600	54.17	570	57.02
							Tap T5	1110	--	1065	30.52	1020	31.86	965	33.68	910	35.71	865	37.57	825	39.39	790	41.14
X30C072(†)	72,000	57,600	40-70	28,400	10 x 10	1/2	Tap T1	845	63.12	735	--	625	--	540	--	453	--	335	--	217	--	207	--
							*Tap T2	845	63.12	735	--	625	--	540	--	453	--	335	--	217	--	207	--
							Tap T3	950	56.14	880	60.61	810	65.84	755	--	705	--	655	--	600	--	570	--
							**Tap T4	1110	48.05	1065	50.08	1020	52.29	965	55.27	910	58.61	865	61.66	825	64.65	790	67.51
							Tap T5	1260	42.33	1215	43.90	1175	45.39	1125	47.41	1075	49.61	1030	51.78	990	53.87	960	55.56
X36C072(†)	72,000	57,600	40-70	36,000	10 x 10	1/2	Tap T1	950	56.14	880	60.61	810	65.84	755	--	705	--	655	--	600	--	570	--
							**Tap T2	1110	48.05	1065	50.08	1020	52.29	965	55.27	910	58.61	865	61.66	825	64.65	790	67.51
							Tap T3	1220	43.72	1180	45.20	1135	46.99	1085	49.16	1030	51.78	990	53.87	945	56.44	915	58.29
							*Tap T4	1260	42.33	1215	43.90	1175	45.39	1125	47.41	1075	49.61	1030	51.78	990	53.87	960	55.56
							Tap T5	1345	--	1300	41.03	1250	42.67	1210	44.08	1170	45.58	1120	47.62	1070	49.84	1030	51.78
X36C096(†)	96,000	76,800	45-75	36,000	10 x 10	1/2	Tap T1	950	74.85	880	--	810	--	755	--	705	--	655	--	600	--	570	--
							Tap T2	1110	64.06	1065	66.77	1020	69.72	965	73.69	910	--	865	--	825	--	790	--
							**Tap T3	1220	58.29	1180	60.26	1135	62.65	1085	65.54	1030	69.04	990	71.83	945	--	915	--
							*Tap T4	1260	56.44	1215	58.53	1175	60.52	1125	63.21	1075	66.15	1030	69.04	990	71.83	960	74.07
							Tap T5	1345	52.87	1300	54.70	1250	56.89	1210	58.77	1170	60.78	1120	63.49	1070	66.46	1030	69.04

* Denotes Factory Set Cooling Speed
 ** Denotes Factory Set Electric Heating Speed
 † Can be C or X

AIRFLOW DATA (Continued)

Model Number R6GD-	Heating Input (Btu/h)	Heating Output (Btu/h)	Heating Rise Range (F)	Cooling Output (Btu/h)	Blower Size	Motor HP	Motor Tap	External Static Pressure Drop - inches water column															
								0.1		0.2		0.3		0.4		0.5		0.6		0.7		0.8	
								(cfm)	(°F) Rise	(cfm)	(°F) Rise	(cfm)	(°F) Rise	(cfm)	(°F) Rise	(cfm)	(°F) Rise	(cfm)	(°F) Rise	(cfm)	(°F) Rise	(cfm)	(°F) Rise
X42C072(†)	72,000	57,600	40-70	42,000	10 x 10	3/4	Tap T1	1020	52.29	940	56.74	860	62.02	800	66.67	740	--	680	--	615	--	570	--
							**Tap T2	1185	45.01	1110	48.05	1035	51.53	980	54.42	925	57.66	875	60.95	820	65.04	785	67.94
							Tap T3	1410	--	1330	40.10	1250	42.67	1195	44.63	1140	46.78	1085	49.16	1030	51.78	975	54.70
							*Tap T4	1525	--	1450	--	1370	--	1320	40.40	1270	41.99	1210	44.08	1150	46.38	1100	48.48
							Tap T5	1650	--	1585	--	1520	--	1465	--	1405	--	1340	--	1280	41.67	1235	43.18
X42C096(†)	96,000	76,800	45-75	42,000	10 x 10	3/4	Tap T1	1020	69.72	940	--	860	--	800	--	740	--	680	--	615	--	570	--
							Tap T2	1185	60.01	1110	64.06	1035	68.71	980	72.56	925	--	875	--	820	--	785	--
							**Tap T3	1410	50.43	1330	53.47	1250	56.89	1195	59.51	1140	62.38	1085	65.54	1030	69.04	975	72.93
							*Tap T4	1525	46.63	1450	49.04	1370	51.91	1320	53.87	1270	55.99	1210	58.77	1150	61.84	1100	64.65
							Tap T5	1650	43.10	1585	--	1520	46.78	1465	48.54	1405	50.61	1340	53.07	1280	55.56	1235	57.58
X48C096(†)	96,000	76,800	45-75	47,800	10 x 10	3/4	Tap T1	1185	60.01	1110	64.06	1035	68.71	980	72.56	925	--	875	--	820	--	785	--
							**Tap T2	1410	50.43	1330	53.47	1250	56.89	1195	59.51	1140	62.38	1085	65.54	1030	69.04	975	72.93
							Tap T3	1525	46.63	1450	49.04	1370	51.91	1320	53.87	1270	55.99	1210	58.77	1150	61.84	1100	64.65
							Tap T4	1650	--	1585	--	1520	46.78	1465	48.54	1405	50.61	1340	53.07	1280	55.56	1235	57.58
							*Tap T5	1775	--	1715	--	1650	--	1600	--	1540	46.18	1460	48.71	1375	51.72	1330	53.47
X48C120(†)	120,000	96,000	45-75	47,800	10 x 10	3/4	Tap T1	1185	--	1110	--	1035	--	980	--	925	--	875	--	820	--	785	--
							Tap T2	1410	63.04	1330	66.83	1250	71.11	1195	74.38	1140	--	1085	--	1030	--	975	--
							**Tap T3	1525	58.29	1450	61.30	1370	64.88	1320	67.34	1270	69.99	1210	73.46	1150	--	1100	--
							Tap T4	1650	53.87	1585	56.08	1520	58.48	1465	60.68	1405	63.27	1340	66.33	1280	69.44	1235	71.97
							*Tap T5	1775	50.08	1715	51.83	1650	53.87	1600	55.56	1540	57.72	1460	60.88	1375	64.65	1330	66.83
X60C096(†)	96,000	76,800	45-75	56,500	11 x 10	1	Tap T1	1259	56.48	1187	59.91	1130	62.93	1069	66.52	1015	70.06	955	74.46	923	--	869	--
							**Tap T2	1583	--	1521	46.75	1416	50.22	1416	50.22	1360	52.29	1306	54.45	1265	56.21	1212	58.67
							*Tap T3	1827	--	1771	--	1703	--	1656	--	1565	45.44	1461	48.67	1363	52.17	1237	57.49
							Tap T4	2009	--	1931	--	1834	--	1761	--	1639	--	1525	46.63	1441	49.35	1293	55.00
							Tap T5	2076	--	1967	--	1870	--	1758	--	1662	--	1556	45.70	1450	49.04	1331	53.43
X60C120(†)	120,000	96,000	45-75	56,500	11 x 10	1	Tap T1	1259	70.60	1187	74.89	1130	--	1069	--	1015	--	955	--	923	--	869	--
							**Tap T2	1583	56.15	1521	58.44	1467	60.59	1416	62.77	1360	65.36	1306	68.06	1265	70.27	1212	73.34
							*Tap T3	1827	48.65	1771	50.19	1703	52.20	1656	53.68	1565	56.80	1461	60.84	1363	65.22	1237	71.86
							Tap T4	2009	--	1931	46.03	1834	48.47	1761	50.48	1639	54.23	1525	58.29	1441	61.69	1293	68.75
							Tap T5	2076	--	1967	45.19	1870	47.53	1758	50.56	1662	53.48	1556	57.13	1450	61.30	1331	66.78

* Denotes Factory Set Cooling Speed

** Denotes Factory Set Electric Heating Speed

† Can be C or X

EXPANDED RATINGS

R6GD-X24

O.D.T			85°F			95°F			105°F			115°F		
CFM	E.D.B.	E.W.B.	T.C.	S.C.	K.W.	T.C.	S.C.	K.W.	T.C.	S.C.	K.W.	T.C.	S.C.	K.W.
725	80	62	24.7	20.5	1.66	22.7	20.3	1.89	20.7	20.2	2.17	18.7	18.5	2.53
	80	67	26.7	16.4	1.69	24.4	15.6	1.92	22.1	15.1	2.19	19.5	14.3	2.55
	80	72	24.7	20.5	1.66	22.7	19.7	1.89	20.7	18.7	2.17	18.7	16.8	2.53
	75	63	24.9	16.1	1.67	22.8	16.1	1.89	20.5	15.6	2.17	18.1	14.9	2.52
800	80	62	25.2	21.7	1.67	23.2	22.0	1.89	21.3	20.8	2.18	19.2	19.2	2.55
	80	67	27.1	17.2	1.70	24.8	16.8	1.92	22.4	16.0	2.20	19.7	15.2	2.57
	80	72	25.2	21.7	1.67	23.2	20.8	1.89	21.3	19.2	2.18	19.2	17.3	2.55
	75	63	25.3	17.6	1.67	23.2	17.4	1.89	20.8	16.7	2.17	18.3	15.9	2.53
875	80	62	25.7	23.6	1.68	23.9	22.7	1.90	21.9	21.9	2.19	19.6	19.6	2.56
	80	67	27.5	18.4	1.70	25.2	17.7	1.93	22.7	16.9	2.21	20.0	16.1	2.57
	80	72	25.7	22.9	1.68	23.9	21.5	1.90	21.9	19.7	2.19	19.6	17.7	2.56
	75	63	25.7	19.5	1.68	23.5	18.8	1.90	21.1	18.0	2.17	18.6	17.0	2.53

R6GD-X30

O.D.T			85°F			95°F			105°F			115°F		
CFM	E.D.B.	E.W.B.	T.C.	S.C.	K.W.	T.C.	S.C.	K.W.	T.C.	S.C.	K.W.	T.C.	S.C.	K.W.
850	80	62	27.6	23.5	2.09	26.4	23.7	2.32	25.2	24.4	2.57	24.0	23.8	2.87
	80	67	29.8	18.8	2.11	28.5	18.5	2.34	27.1	18.1	2.59	25.6	17.6	2.88
	80	72	32.6	14.2	2.14	31.1	13.8	2.36	29.6	13.4	2.61	27.9	13.0	2.90
	75	63	32.6	14.5	2.14	31.1	14.8	2.36	29.6	14.8	2.61	27.9	14.7	2.90
950	80	62	28.3	25.1	2.10	27.2	25.8	2.32	26.0	25.4	2.58	24.8	24.8	2.87
	80	67	30.4	20.2	2.12	29.0	19.8	2.34	27.5	19.3	2.59	26.0	18.8	2.88
	80	72	33.1	14.9	2.15	31.6	14.5	2.37	30.0	14.1	2.61	28.3	13.7	2.90
	75	63	33.1	16.2	2.15	31.6	16.2	2.37	30.0	16.1	2.61	28.3	15.8	2.90
1050	80	62	29.5	27.3	2.11	28.4	27.0	2.34	27.2	27.2	2.59	25.9	25.9	2.88
	80	67	31.2	21.8	2.13	29.8	21.4	2.35	28.3	20.9	2.60	26.7	20.4	2.89
	80	72	33.9	16.0	2.15	32.3	15.6	2.37	30.7	15.2	2.63	28.9	14.8	2.90
	75	63	33.9	18.3	2.15	32.3	18.1	2.37	30.7	17.7	2.63	28.9	17.3	2.90

EXPANDED RATINGS Continued

R6GD-X36

O.D.T			85°F			95°F			105°F			115°F		
CFM	E.D.B.	E.W.B.	T.C.	S.C.	K.W.	T.C.	S.C.	K.W.	T.C.	S.C.	K.W.	T.C.	S.C.	K.W.
1300	80	62	36.4	32.8	2.69	34.9	32.3	2.95	33.3	32.4	3.25	31.5	31.2	3.58
	80	67	38.6	27.0	2.71	36.6	26.4	2.97	34.6	25.7	3.26	32.5	25.1	3.59
	80	72	41.8	19.8	2.76	39.7	19.2	3.01	37.5	18.7	3.30	35.2	18.1	3.62
	75	63	35.9	26.3	2.68	34.1	26.5	2.94	32.2	26.3	3.23	30.2	25.9	3.57
1400	80	62	37.1	33.4	2.72	35.5	33.8	2.99	33.9	33.0	3.28	32.1	32.1	3.62
	80	67	38.9	28.2	2.74	36.9	27.6	3.00	34.9	26.9	3.29	32.8	26.3	3.63
	80	72	42.0	20.5	2.79	39.9	20.0	3.04	37.7	19.4	3.33	35.4	18.9	3.66
	75	63	36.2	28.4	2.71	34.4	28.3	2.98	32.5	27.9	3.26	30.5	27.3	3.60
1500	80	62	37.8	34.9	2.76	36.1	34.3	3.02	34.4	34.4	3.31	32.6	32.6	3.65
	80	67	39.2	29.4	2.77	37.2	28.8	3.04	35.1	28.1	3.32	33.0	27.4	3.66
	80	72	42.3	21.3	2.82	40.1	20.7	3.07	37.9	20.3	3.37	35.6	19.7	3.69
	75	63	36.5	30.7	2.75	34.7	30.2	3.01	32.7	29.5	3.29	30.7	28.8	3.63

R6GD-X42

O.D.T			85°F			95°F			105°F			115°F		
CFM	E.D.B.	E.W.B.	T.C.	S.C.	K.W.	T.C.	S.C.	K.W.	T.C.	S.C.	K.W.	T.C.	S.C.	K.W.
1400	80	62	42.1	37.5	3.57	40.3	37.3	3.95	38.5	37.5	4.37	36.5	36.2	4.82
	80	67	45.3	30.2	3.61	43.0	29.5	3.98	40.7	28.7	4.40	38.3	28.0	4.86
	80	72	49.3	22.5	3.66	46.7	21.8	4.02	44.2	21.1	4.43	41.5	20.5	4.90
	75	63	42.2	29.6	3.57	40.1	29.7	3.95	37.9	29.5	4.36	35.6	29.1	4.81
1500	80	62	43.0	38.7	3.58	41.2	39.1	3.96	39.3	38.3	4.38	37.3	37.3	4.84
	80	67	45.7	31.5	3.62	43.4	30.8	3.98	41.1	30.0	4.40	38.7	29.2	4.86
	80	72	49.7	23.3	3.66	47.2	22.6	4.03	44.5	21.9	4.44	41.7	21.3	4.90
	75	63	42.7	32.0	3.58	40.5	31.7	3.95	38.3	31.3	4.37	36.0	30.6	4.82
1600	80	62	43.8	40.5	3.59	41.9	39.8	3.97	40.0	40.0	4.39	37.9	37.9	4.85
	80	67	46.2	32.8	3.62	43.9	32.0	3.99	41.5	31.2	4.41	39.0	30.4	4.87
	80	72	50.1	24.1	3.67	47.5	23.4	4.03	44.8	22.7	4.44	42.1	22.0	4.91
	75	63	43.1	34.5	3.59	40.9	33.9	3.95	38.7	33.2	4.37	36.3	32.3	4.82

EXPANDED RATINGS Continued

R6GD-X48

O.D.T			85°F			95°F			105°F			115°F		
CFM	E.D.B.	E.W.B.	T.C.	S.C.	K.W.	T.C.	S.C.	K.W.	T.C.	S.C.	K.W.	T.C.	S.C.	K.W.
1650	80	62	46.9	41.9	3.88	45.0	41.6	4.29	43.0	41.9	4.73	40.9	40.5	5.21
	80	67	50.2	33.9	3.92	47.7	33.0	4.32	45.1	32.2	4.76	42.6	31.3	5.25
	80	72	50.2	33.9	3.92	47.7	33.0	4.32	45.1	32.2	4.76	42.6	31.3	5.25
	75	63	46.8	33.1	3.88	44.4	33.2	4.28	42.1	33.0	4.72	39.6	32.5	5.19
1800	80	62	48.0	43.2	3.95	45.9	43.6	4.36	43.8	42.7	4.80	41.6	41.6	5.29
	80	67	50.6	35.5	3.98	48.1	34.6	4.39	45.5	33.8	4.83	42.9	32.9	5.32
	80	72	50.6	35.5	3.98	48.1	34.6	4.39	45.5	33.8	4.83	42.9	32.9	5.32
	75	63	47.2	35.9	3.95	44.8	35.7	4.35	42.4	35.1	4.78	40.0	34.4	5.26
1950	80	62	48.9	45.2	4.02	46.7	44.4	4.43	44.7	44.6	4.88	42.4	42.4	5.37
	80	67	51.0	37.1	4.04	48.5	36.2	4.45	45.9	35.3	4.89	43.2	34.4	5.38
	80	72	51.0	37.1	4.04	48.5	36.2	4.45	45.9	35.3	4.89	43.2	34.4	5.38
	75	63	47.6	38.9	4.01	45.2	38.2	4.41	42.7	37.3	4.85	40.3	36.4	5.33

R6GD-X60

O.D.T			85°F			95°F			105°F			115°F		
CFM	E.D.B.	E.W.B.	T.C.	S.C.	K.W.	T.C.	S.C.	K.W.	T.C.	S.C.	K.W.	T.C.	S.C.	K.W.
1500	80	62	54.4	43.1	4.61	52.0	43.4	5.09	49.6	44.8	5.61	47.0	44.2	6.20
	80	67	58.7	35.1	4.70	56.1	34.2	5.17	53.3	33.2	5.69	50.5	32.2	6.28
	80	72	64.4	27.0	4.82	61.6	26.1	5.29	58.5	25.3	5.82	55.4	24.4	6.39
	75	63	54.7	34.7	4.62	52.3	34.9	5.09	49.7	34.6	5.61	47.0	34.1	6.20
1650	80	62	55.6	45.6	4.64	53.1	47.2	5.11	50.6	47.3	5.63	48.0	47.1	6.22
	80	67	59.8	36.9	4.72	57.1	36.0	5.19	54.3	35.0	5.71	51.4	34.3	6.30
	80	72	65.5	28.1	4.84	62.5	27.3	5.31	59.4	26.5	5.84	56.1	25.6	6.41
	75	63	55.8	37.9	4.64	53.3	37.6	5.11	50.7	37.1	5.63	47.9	36.6	6.22
1800	80	62	56.6	49.4	4.66	54.1	49.6	5.13	51.6	50.9	5.65	49.2	49.1	6.25
	80	67	60.7	38.6	4.74	58.0	38.0	5.21	55.1	37.0	5.73	52.1	36.0	6.31
	80	72	66.3	29.3	4.86	63.2	28.5	5.32	60.0	27.6	5.85	56.5	26.7	6.42
	75	63	56.7	41.3	4.66	54.2	40.9	5.13	51.5	39.9	5.65	48.6	38.9	6.23

R6GD ACCESSORIES

Description	Part Number
Roof Curb (8")	547830
Roof Curb (14")	547831
Roof Curb (18")	547850
Roof Curb (24")	547851
Cap, Duct Adapter, 12" Round	913811A
Cap, Duct Adapter, 14" Round	913812A
Supply/return transition, 16"	547834
Supply/return transition, 18"	547835
Concentric diffuser, flush, 16"	547836
Concentric diffuser, flush, 18"	547837
Concentric diffuser, step down 16"	547838
Concentric diffuser, step down 18"	547839
Manual Fresh Air Damper	547832
Motorized Fresh Air Damper	547840
Economizer, downflow w/filter (does not require filter kit) modulating	558870
Economizer, horizontal modulating	547841
Power Exhaust, horizontal economizer (special order)	547843
Power Exhaust, downflow economizer (special order)	547842
Filter Kit R6GD 024 - 042	547888
Filter Kit R6GD 048 - 060	547889
Filter Kit, All Downflow Applications (not required with economizer)	547885
Hood Type Hail Guard, Coil Dim. 34" X 76" R6GD-024,030,036,042	547846
Hood Type Hail Guard, Coil Dim. 38" X 76" R6GD-048,060	547847
DUCT SMOKE DETECTOR PHOTO ELEC	547892
MULTI SIGNAL CONTROL	547893
SAMPLING TUBE ST3	547894
SAMPLING TUBE ST5	547895
Low Ambient Kit	918837
Canadian LP Gas Conversion Kit (0 to 4,500 ft above sea level)	904091A
U.S. LP Gas Conversion Kit (0 ft to 10,000 ft above sea level)	904090A
Outdoor Thermostat Kit	913852
Universal Hard Start Kit	912933
Skirt Trim Kit	919729
Extreme High Wind Kit - Roof Curb Mount	903696
Extreme High Wind Kit - Ground Mount	903695
Freezestat Kit	917108
Control, CO2 Sensor, Wall Mount	920317
Control, CO2 sensor, Duct Mount	920318

We Encourage
Professionalism



Through Technician
Certification by NATE



www.nutonehvac.com

868C-0808 (Replaces 868C-0508)

O'Fallon, MO

NORDYNE

Before purchasing this appliance, read important energy cost and efficiency information available from your retailer. Specifications and illustrations subject to change without notice and without incurring obligations. Printed in U.S.A. (08/08)