

FT4BG Series

iQ Drive[®]

R-410A, Ultra High Efficiency Heat Pump, Up to 19 SEER Residential System 2-5 Ton Capacities

The iQ Drive[®] heat pump system features modulating compressor technology and variable speed indoor and outdoor fan motors. This system is controlled from a two stage cooling and heating heat pump thermostat. The system has the capability of adding up to 18% of additional cooling/heating above the rated capacity. The B6VMAX air handler has de-humidification capabilities from the thermostat or duct mounted humidistat.



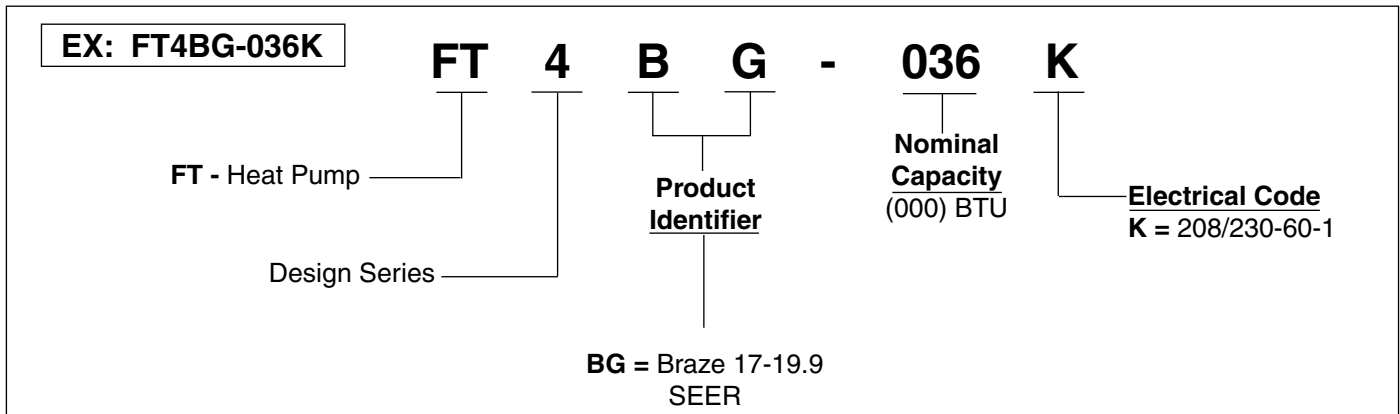
WARRANTY

- This product offers a 10-year all-parts warranty.
- This product offers a 10 year Quality Pledge to replace the entire unit, if the unit's major component (heat exchanger or compressor) fails within the first 10 years of operation, to the original owner. All split system products must be installed with a matched indoor air handler or indoor coil to qualify.
- Consumer product registration required for both 10 year All Parts Warranty and Quality Pledge within a limited period of time after the installation. See current warranty document or visit our consumer web for warranty details.

FEATURES and BENEFITS

- **iQ Drive:** Inverter driven Samsung rotary compressor provides five capacities in modulating operation from a two stage thermostat.
- **Interface control board:** Two digit LED provides system operation, status and diagnostic troubleshooting information.
 - **Utilizes a NORDYNE:** patented capacity control algorithm to select the optimum system capacity level.
 - **System Protection:** Internal controls monitor system operation to protect the inverter drive and compressor.
 - **Cooling operating temperature range:** 50 °F to 125 °F.
 - **Locks out heat pump heating:** below 0 °F.
 - **Adaptive demand defrost:** Provides additional energy savings in heating by defrosting only when necessary.
 - **Five Minute Restart Time Delay:** When the unit shuts down, a delay keeps the unit from restarting, eliminating the highest cause for compressor failure.
- **Suction Accumulator:** Protection from liquid flood back and future compressor failures.
- **R-410A Refrigerant:** Environmentally friendly non-ozone depleting refrigerant.
- **Compressor and Component Access:** Designed to make servicing easier for the contractor, hinge access panels are provided to all controls and the compressor.
- **High Efficiency with the low Sound Levels:** Up to 19 SEER with sound ratings of 59-73 depending upon operating conditions.
- **Compressor Sound Blanket:** Engineered to significantly reduce unwanted compressor noise.
- **Variable Speed Condenser Motor and Swept-Wing Fan Blade:** A heavy duty brushless DC motor for long lasting reliability and engineered to provide quiet operation. Requires no maintenance and is completely protected from rain and snow.
- **Common Suction Service Port:** This port allows the contractor to read the suction pressure in all modes of operation without removing any panels, saving time and increasing serviceability.
- **Discharge muffler:** Reduces compressor noise and vibration.
- **High Pressure Switch:** Protects against abnormally high system pressures. Auto-reset feature prevents nuisance service visits.
- **Low Pressure Switch:** Protects against loss of system refrigerant charge.
- **Liquid Line Filter Drier:** Included with unit, field installed.
- **Copper Tube / Aluminum Fin Coils:** outdoor coils are designed to optimize heat transfer, and increase durability and reliability.
- **Louvered Condenser Guard:** Durable metal guard protects the coil from yard hazards and extreme weather.
- **Composite Base Pan:** Absorbs sound and is corrosion resistant. Composite pan is also stronger and lighter than steel.
- **Designed using galvanized steel:** with a polyester urethane coat finish. The 950 hour salt spray finish resists corrosion 50% better than comparable units.
- **One Piece Top/Orifice:** Designed for maximum airflow and quiet operation.
- **Removable Top Grille Assembly:** Allows ease of service from the top without disconnecting fan motor leads.

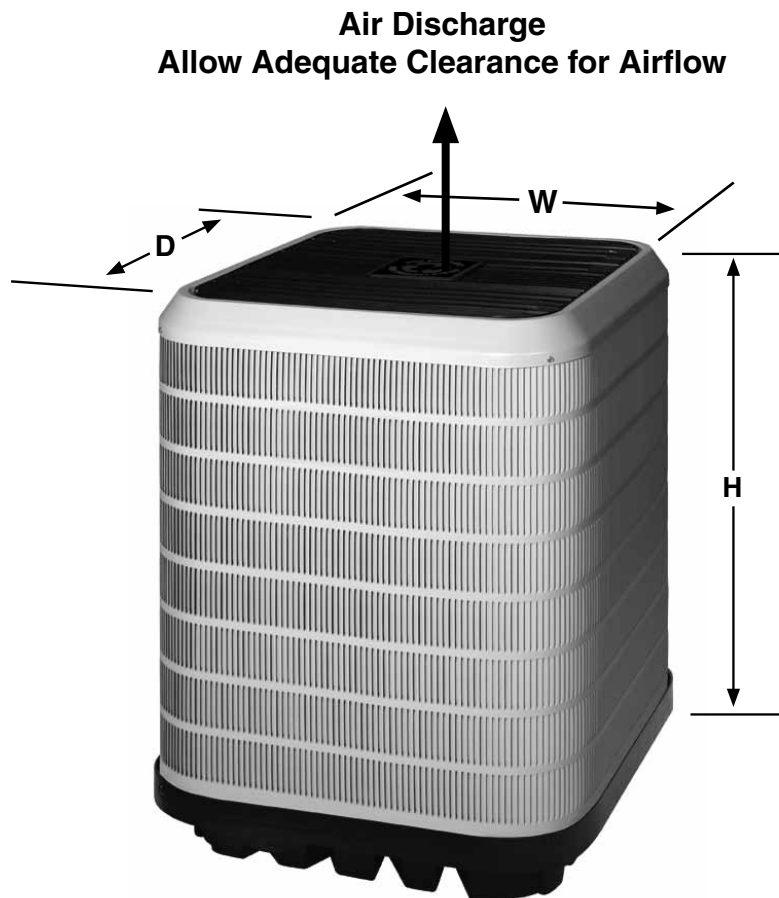
MODEL IDENTIFICATION CODES



DIMENSIONS

AIR CONDITIONER OUTDOOR SECTION

FT4BG	024K	036K	048K	060K
H	37	41	41	45
W	31 1/4	31 1/4	31 1/4	31 1/4
D	31 1/4	31 1/4	31 1/4	31 1/4



PHYSICAL AND ELECTRICAL SPECIFICATIONS / OUTDOOR UNITS

Up to 19 SEER — Ultra High Efficiency — Single Phase

Unit Size:		024K	036K	048K	060K	
Electrical Data	Volts-Cycles-Phase ⁽¹⁾	208/230-60-1				
	Total Amps	13.1	17.5	23.5	31.2	
	Delay Fuse Max. ⁽²⁾	25	35	45	60	
	Min. Circuit Ampacity	15.8	21.2	28.7	38	
Condenser Data	Coil	Area (ft ²)	20.3	22.8	22.8	25.3
		Rows - FPI	1-18	1-20	2-16	2-16
		Tube Diam	3/8" OD	3/8" OD	3/8" OD	3/8" OD
	Fan Motor	Type	Brushless DC			
		Amps	2.6	2.6	2.6	3.8
		HP	1/3	1/3	1/3	1/2
	Compressor Data	RLA	10.5	14.9	20.9	27.4
		LRA	N/A	N/A	N/A	N/A
	Service Valves	Liquid Side	3/8"	3/8"	3/8"	3/8"
		Vapor Side	3/4"	7/8"	7/8"	7/8"
Installation Refrigerant Vapor Line Size (All liquid lines 3/8" OD)	0 - 24 ft. equiv.	3/4"	7/8"	7/8"	7/8"	
	25 - 39 ft. equiv.	3/4"	7/8"	1-1/8"	1-1/8"	
	40 - 75 ft. equiv. ⁽⁴⁾	7/8"	1-1/8"	1-1/8"	1-1/8"	
	75 - 100 ft. equiv. ⁽⁴⁾	1-1/8"	1-1/8"	1-1/8"	1-1/8"	
Refrigerant Type		R410A				
Refrigerant Charge (oz.), 15 ft. line set (factory charge)		188 ⁽³⁾	184 ⁽³⁾	282 ⁽³⁾	282 ⁽³⁾	
Sound Ratings		60-72	59-71	64-73	63-72	
Weight, lbs. (approximate)	As shipped	200	220	252	272	
	Net	191	211	243	263	

(1) Operating Voltage Range: 187 vac min. to 253 vac max.

(2) HACR Type circuit breakers may be used.

(3) Additional charge for longer line sets as follows (with 3/8" liquid lines):

3/4" vapor line: 0.6 oz per additional foot

7/8" vapor line: 0.7 oz per additional foot

1-1/8" vapor line: 0.8 oz per additional foot

Minimum outdoor temperature for heating is 0°F.

Minimum outdoor temperature for cooling is 50°F.

(4) Refrigerant Tubing Limitations-The compressor manufacturer imposes a maximum equivalent line set length of 100 ft. Furthermore, vertical elevation shall not exceed 50 ft.

See current AHRI Directory for certified combinations and ratings.

www.ahridirectory.org

COPPER WIRE SIZE — AWG (1% Voltage Drop)				
Supply Wire Length-Feet				Supply Circuit
200	150	100	50	Ampacity
6	8	10	14	15
4	6	8	12	20
4	6	8	10	25
4	4	6	10	30
3	4	6	8	35
3	4	6	8	40
2	3	4	6	45
2	3	4	6	50

Wire Size based on N.E.C. for 60° type copper conductors.

SYSTEM CAPACITIES AND MATCHES

Up to 19 SEER — Ultra High Efficiency — Single Phase

Model Number	Coil ModelNumber	Indoor ModelNumber	Capacity	SEER	EER	CFM 2nd Stg	CFM 1st Stg	Heat 47F	HSPF
FT4BG-024K	B6VMAX24K-B		24,600	19.0	13.9	800	535	22,400	10
FT4BG-024K	C6B(A,H)-F42(C,U)-B+TXV-X2.0	FG7MQ(*)-VB	24,400	19.0	13.5	820	550	22,200	10
FT4BG-024K	C6B(A,H)-F42(C,U)-B+TXV-X2.0	FG7S(*)-B+(*)SHE	24,400	19.0	13.5	820	550	22,200	10
FT4BG-024K	C6B(A,H)-F42(C,U)-B+TXV-X2.0	FG7T(*)-VB	24,400	19.0	13.5	820	550	22,200	10
FT4BG-024K	C6B(A,H)-F42(C,U)-B+TXV-X2.0	MB7VM-1600-B	24,600	19.0	13.9	800	535	22,400	10
FT4BG-024K	C6B(A,H)-X26(C,U)-B	FG7MQ(*)-VB	24,400	19.0	13.5	820	550	22,200	10
FT4BG-024K	C6B(A,H)-X26(C,U)-B	FG7S(*)-B+(*)SHE	24,400	19.0	13.5	820	550	22,200	10
FT4BG-024K	C6B(A,H)-X26(C,U)-B	FG7T(*)-VB	24,400	19.0	13.5	820	550	22,200	10
FT4BG-024K	C6B(A,H)-X26(C,U)-B	MB7VM-1600-B	24,600	19.0	13.9	800	535	22,400	10
FT4BG-036K	B6VMAX36K-B		34,800	19.0	12.6	1200	805	34,400	10
FT4BG-036K	C6B(A,H)-F42(C,U)-B+TXV-X3.0	FG7MQ(*)-VB	34,600	18.0	12.0	1240	830	34,600	10
FT4BG-036K	C6B(A,H)-F42(C,U)-B+TXV-X3.0	FG7S(*)-B+(*)SHE	34,600	18.0	12.0	1240	830	34,600	10
FT4BG-036K	C6B(A,H)-F42(C,U)-B+TXV-X3.0	FG7T(*)-VB	34,600	18.0	12.0	1240	830	34,600	10
FT4BG-036K	C6B(A,H)-F42(C,U)-B+TXV-X3.0	MB7VM-1600-B	34,800	19.0	12.6	1200	805	34,400	10
FT4BG-036K	C6B(A,H)-F48(C,U)-C+TXV-X3.0	FG7MQ(*)-VC	34,800	18.5	12.5	1220	820	34,200	10
FT4BG-036K	C6B(A,H)-F48(C,U)-C+TXV-X3.0	FG7S(*)-C+(*)SHE	34,800	18.5	12.5	1220	820	34,200	10
FT4BG-036K	C6B(A,H)-F48(C,U)-C+TXV-X3.0	FG7T(*)-VC	34,800	18.5	12.5	1220	820	34,200	10
FT4BG-036K	C6B(A,H)-X36(C,U)-B	FG7MQ(*)-VB	34,600	18.0	12.0	1240	830	34,600	10
FT4BG-036K	C6B(A,H)-X36(C,U)-B	FG7S(*)-B+(*)SHE	34,600	18.0	12.0	1240	830	34,600	10
FT4BG-036K	C6B(A,H)-X36(C,U)-B	FG7T(*)-VB	34,600	18.0	12.0	1240	830	34,600	10
FT4BG-036K	C6B(A,H)-X36(C,U)-B	MB7VM-1600-B	34,800	19.0	12.6	1200	805	34,400	10
FT4BG-036K	C6B(A,H)-X36(C,U)-C	FG7MQ(*)-VC	34,800	18.5	12.5	1220	820	34,200	10
FT4BG-036K	C6B(A,H)-X36(C,U)-C	FG7S(*)-C+(*)SHE	34,800	18.5	12.5	1220	820	34,200	10
FT4BG-036K	C6B(A,H)-X36(C,U)-C	FG7T(*)-VC	34,800	18.5	12.5	1220	820	34,200	10
FT4BG-048K	B6VMAX48K-C		44,000	18.0	12.6	1350	905	44,000	9.5
FT4BG-048K	C6B(A,H)-F60(C,U)-C+TXV-X4.0	FG7MQ(*)-VC	44,000	18.0	12.3	1350	905	44,200	9.0
FT4BG-048K	C6B(A,H)-F60(C,U)-C+TXV-X4.0	FG7S(*)-C+(*)SHE	44,000	18.0	12.3	1350	905	44,200	9.0
FT4BG-048K	C6B(A,H)-F60(C,U)-C+TXV-X4.0	FG7T(*)-VC	44,000	18.0	12.3	1350	905	44,200	9.0
FT4BG-048K	C6B(A,H)-F60(C,U)-C+TXV-X4.0	MB7VM-2000-C	44,000	18.0	12.6	1350	905	44,000	9.5
FT4BG-048K	C6B(A,H)-X48(C,U)-C	FG7MQ(*)-VC	44,000	18.0	12.3	1350	905	44,200	9.0
FT4BG-048K	C6B(A,H)-X48(C,U)-C	FG7S(*)-C+(*)SHE	44,000	18.0	12.3	1350	905	44,200	9.0
FT4BG-048K	C6B(A,H)-X48(C,U)-C	FG7T(*)-VC	44,000	18.0	12.3	1350	905	44,200	9.0
FT4BG-048K	C6B(A,H)-X48(C,U)-C	MB7VM-2000-C	44,000	18.0	12.6	1350	905	44,000	9.5
FT4BG-060K	B6VMAX60K-C		53,000	18.0	11.5	1500	1005	56,000	9.5
FT4BG-060K	C6B(A,H)-F60(C,U)-C+TXV-X5.0	FG7MQ(*)-VC	53,000	18.0	11.4	1545	1035	56,000	9.5
FT4BG-060K	C6B(A,H)-F60(C,U)-C+TXV-X5.0	FG7S(*)-C+(*)SHE	53,000	18.0	11.4	1545	1035	56,000	9.5
FT4BG-060K	C6B(A,H)-F60(C,U)-C+TXV-X5.0	FG7T(*)-VC	53,000	18.0	11.4	1545	1035	56,000	9.5
FT4BG-060K	C6B(A,H)-F60(C,U)-C+TXV-X5.0	MB7VM-2000-C	53,000	18.0	11.5	1500	1005	56,000	9.5
FT4BG-060K	C6B(A,H)-F60(C,U)-D+TXV-X5.0	FG7MQ(*)-VD	53,000	18.0	11.4	1520	1020	56,000	9.5
FT4BG-060K	C6B(A,H)-F60(C,U)-D+TXV-X5.0	FG7S(*)-D+(*)SHE	53,000	18.0	11.4	1520	1020	56,000	9.5
FT4BG-060K	C6B(A,H)-F60(C,U)-D+TXV-X5.0	FG7T(*)-VD	53,000	18.0	11.4	1520	1020	56,000	9.5
FT4BG-060K	C6B(A,H)-X60(C,U)-C	FG7MQ(*)-VC	53,000	18.0	11.4	1545	1035	56,000	9.5
FT4BG-060K	C6B(A,H)-X60(C,U)-C	FG7S(*)-C+(*)SHE	53,000	18.0	11.4	1545	1035	56,000	9.5
FT4BG-060K	C6B(A,H)-X60(C,U)-C	FG7T(*)-VC	53,000	18.0	11.4	1545	1035	56,000	9.5
FT4BG-060K	C6B(A,H)-X60(C,U)-C	MB7VM-2000-C	53,000	18.0	11.5	1500	1005	56,000	9.5
FT4BG-060K	C6B(A,H)-X60(C,U)-D	FG7MQ(*)-VD	53,000	18.0	11.4	1520	1020	56,000	9.5
FT4BG-060K	C6B(A,H)-X60(C,U)-D	FG7S(*)-D+(*)SHE	53,000	18.0	11.4	1520	1020	56,000	9.5
FT4BG-060K	C6B(A,H)-X60(C,U)-D	FG7T(*)-VD	53,000	18.0	11.4	1520	1020	56,000	9.5

Note: Conditions for Nominal Capacity rating are 80°F dry bulb temperature, 67°F wet bulb temperature (approximately 51% RH) indoors, 95°F outdoor ambient temperature. Minimum outdoor temperature for cooling is 50°F.

Note: Conditions for Nominal Capacity rating are 70°F dry bulb temperature indoors, 47°F dry bulb temperature, 43°F wet bulb temperature outdoors. Minimum outdoor temperature for heating is 0°F.

See current AHRI Directory for certified combinations and ratings.

www.ahridirectory.org

COOLING EXPANDED RATINGS WITH AIR HANDLER

2 Ton Split Heat Pump w/ Air Handler First Stage (Low Speed C1) Cooling Matched with B6VMAX24K-B-Air Handler

Outdoor Temperature:			65°F			75°F			85°F			95°F			105°F			115°F			125°F		
Blower cfm	Indoor Tdb	Indoor Twb	T.C.	S.C.	kW	T.C.	S.C.	kW	T.C.	S.C.	kW	T.C.	S.C.	kW	T.C.	S.C.	kW	T.C.	S.C.	kW	T.C.	S.C.	kW
450	80	62	12.5	12.1	0.4	11.9	11.7	0.5	11.2	11.2	0.6	10.6	10.6	0.8	9.9	9.9	0.9	9.3	9.3	1.1	8.7	8.5	1.3
	80	67	13.9	9.8	0.4	13.2	9.6	0.5	12.4	9.4	0.6	11.6	9.1	0.7	10.7	8.9	0.9	9.9	8.5	1.1	8.9	8.2	1.3
	80	72	15.4	7.7	0.4	14.7	7.5	0.5	13.9	7.2	0.6	13.0	7.0	0.7	12.0	6.7	0.9	10.8	6.3	1.1	9.6	5.9	1.3
	75	62	12.6	10.2	0.4	11.9	9.8	0.5	11.1	9.5	0.6	10.4	9.2	0.8	9.7	9.0	0.9	9.0	8.7	1.1	8.4	8.4	1.4
550	80	62	13.4	13.2	0.4	12.6	12.5	0.5	11.9	11.8	0.6	11.1	11.1	0.8	10.4	10.4	0.9	9.8	9.7	1.1	9.2	9.0	1.3
	80	67	14.3	10.9	0.4	13.5	10.7	0.5	12.7	10.5	0.6	11.9	10.2	0.7	11.1	9.9	0.9	10.2	9.5	1.1	9.4	9.1	1.4
	80	72	15.8	8.3	0.4	15.1	8.1	0.5	14.3	7.9	0.6	13.3	7.7	0.7	12.3	7.4	0.9	11.1	7.1	1.1	9.9	6.7	1.3
	75	62	13.1	11.2	0.4	12.3	10.8	0.5	11.5	10.5	0.6	10.7	10.2	0.8	10.0	9.8	0.9	9.4	9.4	1.1	8.7	8.7	1.4
650	80	62	14.3	14.2	0.4	13.4	13.3	0.5	12.5	12.5	0.6	11.7	11.7	0.8	10.9	10.9	0.9	10.2	10.2	1.1	9.6	9.6	1.4
	80	67	14.8	11.9	0.4	13.8	11.7	0.5	13.0	11.4	0.6	12.1	11.2	0.8	11.4	10.9	0.9	10.6	10.6	1.1	9.9	9.9	1.4
	80	72	16.2	9.0	0.4	15.5	8.8	0.5	14.6	8.6	0.6	13.7	8.4	0.7	12.6	8.1	0.9	11.4	7.8	1.1	10.2	7.5	1.4
	75	62	13.6	12.3	0.4	12.7	11.9	0.5	11.9	11.5	0.6	11.1	11.1	0.8	10.4	10.4	0.9	9.7	9.7	1.1	9.1	9.1	1.4

Second Stage (Nominal High Speed C4) Cooling Matched with B6VMAX24K-B-Air Handler

Outdoor Temperature:			65°F			75°F			85°F			95°F			105°F			115°F			125°F		
Blower cfm	Indoor Tdb	Indoor Twb	T.C.	S.C.	kW	T.C.	S.C.	kW	T.C.	S.C.	kW	T.C.	S.C.	kW	T.C.	S.C.	kW	T.C.	S.C.	kW	T.C.	S.C.	kW
700	80	62	25.2	21.4	1.1	23.9	20.9	1.3	22.7	20.3	1.5	21.5	19.7	1.7	20.2	19.1	2.0	19.0	18.4	2.2	17.7	17.6	2.5
	80	67	27.3	18.0	1.1	26.1	17.6	1.3	24.8	17.1	1.5	23.5	16.6	1.7	22.1	16.1	2.0	20.6	15.5	2.2	18.9	14.8	2.5
	80	72	29.8	14.4	1.1	28.6	13.9	1.3	27.4	13.5	1.5	26.0	13.1	1.7	24.4	12.6	2.0	22.7	12.0	2.2	20.9	11.4	2.5
	75	62	24.7	18.1	1.1	23.6	17.7	1.3	22.5	17.2	1.5	21.3	16.7	1.7	20.1	16.1	2.0	18.9	15.4	2.2	17.6	14.7	2.5
800	80	62	26.1	23.1	1.2	24.8	22.6	1.3	23.4	21.9	1.5	22.1	21.1	1.8	20.8	20.2	2.0	19.5	19.1	2.2	18.2	18.0	2.5
	80	67	28.6	19.7	1.1	27.3	19.5	1.3	25.9	19.1	1.5	24.6	18.5	1.8	23.3	17.9	2.0	22.0	17.1	2.3	20.7	16.2	2.5
	80	72	30.4	15.0	1.1	29.3	14.6	1.3	28.0	14.2	1.5	26.5	13.8	1.8	24.9	13.2	2.0	23.1	12.6	2.3	21.2	12.0	2.6
	75	62	25.4	19.2	1.2	24.3	18.7	1.3	23.1	18.3	1.5	21.8	17.7	1.8	20.5	17.1	2.0	19.1	16.5	2.3	17.5	15.7	2.5
900	80	62	27.0	24.8	1.2	25.6	24.3	1.4	24.2	23.5	1.6	22.8	22.5	1.8	21.5	21.3	2.0	20.1	19.9	2.3	18.8	18.4	2.5
	80	67	29.3	21.0	1.2	27.9	21.0	1.4	26.5	20.6	1.6	25.2	20.0	1.8	23.9	19.1	2.0	22.5	18.1	2.3	21.2	16.8	2.6
	80	72	31.0	15.7	1.1	29.9	15.3	1.3	28.6	14.9	1.5	27.1	14.5	1.8	25.4	13.9	2.0	23.5	13.3	2.3	21.5	12.5	2.6
	75	62	26.0	20.3	1.2	24.9	19.8	1.4	23.7	19.3	1.6	22.4	18.8	1.8	20.9	18.2	2.0	19.3	17.5	2.3	17.5	16.6	2.6

Second Stage (Boost Speed C5) Cooling Matched with B6VMAX24K-B-Air Handler

Outdoor Temperature:			65°F			75°F			85°F			95°F			105°F			115°F			125°F		
Blower cfm	Indoor Tdb	Indoor Twb	T.C.	S.C.	kW	T.C.	S.C.	kW	T.C.	S.C.	kW	T.C.	S.C.	kW	T.C.	S.C.	kW	T.C.	S.C.	kW	T.C.	S.C.	kW
700	80	62	29.2	23.5	1.5	27.6	22.8	1.7	26.1	22.1	1.9	24.6	21.4	2.1	23.1	20.7	2.4	-	-	-	-	-	-
	80	67	31.2	19.7	1.5	29.8	19.1	1.7	28.4	18.6	1.9	27.1	18.0	2.2	25.7	17.5	2.5	-	-	-	-	-	-
	80	72	34.4	16.1	1.4	33.2	15.6	1.7	31.8	15.1	1.9	30.2	14.6	2.2	28.5	14.0	2.5	-	-	-	-	-	-
	75	62	28.4	19.9	1.5	27.4	19.5	1.7	26.2	19.0	1.9	24.8	18.4	2.2	23.3	17.7	2.4	-	-	-	-	-	-
800	80	62	30.3	25.1	1.5	28.7	24.4	1.7	27.1	23.7	1.9	25.5	22.9	2.2	23.9	22.1	2.5	-	-	-	-	-	-
	80	67	32.2	20.9	1.5	30.8	20.3	1.7	29.4	19.8	1.9	27.9	19.2	2.2	26.5	18.7	2.5	-	-	-	-	-	-
	80	72	35.2	16.9	1.5	34.0	16.5	1.7	32.5	16.0	2.0	30.9	15.4	2.2	29.1	14.8	2.5	-	-	-	-	-	-
	75	62	29.4	21.1	1.5	28.3	20.7	1.7	27.0	20.2	2.0	25.5	19.6	2.2	23.9	18.8	2.5	-	-	-	-	-	-
900	80	62	31.3	26.8	1.5	29.8	26.1	1.7	28.1	25.4	2.0	26.4	24.5	2.2	24.6	23.6	2.5	-	-	-	-	-	-
	80	67	33.4	22.3	1.5	32.2	22.0	1.7	30.9	21.5	2.0	29.3	20.9	2.2	27.4	20.1	2.5	-	-	-	-	-	-
	80	72	36.0	17.7	1.5	34.7	17.3	1.7	33.3	16.8	2.0	31.6	16.3	2.3	29.7	15.6	2.5	-	-	-	-	-	-
	75	62	30.3	22.4	1.5	29.2	22.0	1.7	27.9	21.5	2.0	26.3	20.9	2.2	24.5	20.0	2.5	-	-	-	-	-	-

E.D.B. = Entering dry bulb E.W.B. = Entering wet bulb T.C. = Total Capacity S.C. = Sensible Capacity kW = Kilo Watts

NOTE: For outdoor temperature ranges that are blank, values are omitted because the interface controller may reduce compressor speed for protection.

COOLING EXPANDED RATINGS WITH AIR HANDLER (CONTINUED)

3 Ton Split Heat Pump w/ Air Handler First Stage (Low Speed C1) Cooling Matched with B6VMAX36K-B Air Handler

Outdoor Temperature:			65°F			75°F			85°F			95°F			105°F			115°F			125°F		
Blower cfm	Indoor Tdb	Indoor Twb	T.C.	S.C.	kW	T.C.	S.C.	kW	T.C.	S.C.	kW	T.C.	S.C.	kW	T.C.	S.C.	kW	T.C.	S.C.	kW	T.C.	S.C.	kW
700	80	62	20.0	19.1	0.7	19.2	18.5	0.8	18.3	17.9	1.0	17.3	17.0	1.1	16.2	16.0	1.3	14.9	14.9	1.5	13.6	13.6	1.8
	80	67	22.3	16.0	0.7	21.1	15.7	0.8	19.9	15.3	1.0	18.5	14.8	1.2	17.1	14.2	1.4	15.7	13.6	1.6	14.2	12.9	1.8
	80	72	24.4	12.4	0.6	23.2	12.1	0.8	21.9	11.8	1.0	20.6	11.4	1.1	19.1	10.9	1.3	17.5	10.4	1.6	15.9	9.8	1.8
	75	62	20.2	15.4	0.7	19.1	14.9	0.8	18.0	14.5	1.0	16.7	14.0	1.2	15.4	13.5	1.3	14.1	13.0	1.6	12.6	12.6	1.8
800	80	62	20.8	20.1	0.7	19.9	19.4	0.8	18.9	18.6	1.0	17.8	17.6	1.2	16.7	16.6	1.4	15.4	15.4	1.6	14.1	14.1	1.8
	80	67	22.8	17.2	0.7	21.6	16.9	0.8	20.2	16.4	1.0	18.8	15.9	1.2	17.4	15.4	1.4	15.9	14.7	1.6	14.4	14.0	1.8
	80	72	24.9	13.1	0.6	23.7	12.9	0.8	22.4	12.6	1.0	21.0	12.2	1.2	19.5	11.7	1.4	17.8	11.1	1.6	16.1	10.5	1.8
	75	62	20.6	16.5	0.7	19.5	16.1	0.8	18.4	15.7	1.0	17.1	15.2	1.2	15.7	14.6	1.4	14.2	14.0	1.6	12.7	12.7	1.8
900	80	62	21.5	21.1	0.7	20.6	20.3	0.8	19.5	19.3	1.0	18.4	18.3	1.2	17.2	17.1	1.4	15.9	15.9	1.6	14.6	14.6	1.8
	80	67	23.3	18.4	0.7	22.0	18.1	0.9	20.6	17.7	1.0	19.1	17.2	1.2	17.7	16.5	1.4	16.1	15.7	1.6	14.5	14.5	1.8
	80	72	25.4	13.9	0.7	24.2	13.7	0.8	22.9	13.4	1.0	21.4	13.0	1.2	19.9	12.5	1.4	18.1	11.9	1.6	16.3	11.2	1.8
	75	62	21.1	17.7	0.7	20.0	17.5	0.9	18.8	17.0	1.0	17.5	16.4	1.2	16.0	15.6	1.4	14.4	14.4	1.6	12.7	12.7	1.8

Second Stage (Nominal High Speed C4) Cooling Matched with B6VMAX36K-B Air Handler

Outdoor Temperature:			65°F			75°F			85°F			95°F			105°F			115°F			125°F		
Blower cfm	Indoor Tdb	Indoor Twb	T.C.	S.C.	kW	T.C.	S.C.	kW	T.C.	S.C.	kW	T.C.	S.C.	kW	T.C.	S.C.	kW	T.C.	S.C.	kW	T.C.	S.C.	kW
1050	80	62	35.7	30.9	1.8	33.8	30.1	2.0	32.0	29.2	2.3	30.2	28.3	2.6	28.5	27.3	3.0	26.8	26.4	3.3	-	-	-
	80	67	39.0	26.1	1.8	37.6	25.5	2.1	35.9	24.8	2.4	34.1	24.0	2.7	32.1	23.3	3.0	29.9	22.5	3.4	-	-	-
	80	72	40.8	19.7	1.8	40.2	19.8	2.0	39.2	19.6	2.3	37.6	19.2	2.7	35.5	18.5	3.0	32.8	17.6	3.4	-	-	-
	75	62	36.0	25.5	1.8	34.3	24.7	2.1	32.5	23.9	2.3	30.7	23.2	2.6	28.8	22.4	3.0	26.9	21.7	3.3	-	-	-
1200	80	62	36.3	32.7	1.9	34.6	31.9	2.1	32.9	31.0	2.4	31.1	29.9	2.7	29.4	28.7	3.1	27.6	27.4	3.4	-	-	-
	80	67	39.3	27.1	1.9	38.1	26.9	2.2	36.6	26.6	2.4	34.8	26.0	2.8	32.6	25.1	3.1	30.2	24.1	3.5	-	-	-
	80	72	41.0	20.2	1.9	40.6	20.4	2.1	39.6	20.3	2.4	38.1	20.0	2.8	35.9	19.3	3.1	33.2	18.4	3.5	-	-	-
	75	62	36.6	26.8	1.9	34.9	26.0	2.1	33.1	25.2	2.4	31.3	24.4	2.7	29.3	23.7	3.1	27.3	23.0	3.4	-	-	-
1350	80	62	37.0	34.6	1.9	35.4	33.8	2.2	33.8	32.8	2.5	32.1	31.5	2.8	30.3	30.0	3.1	28.5	28.3	3.5	-	-	-
	80	67	39.7	28.1	1.9	38.8	28.5	2.2	37.5	28.4	2.5	35.7	27.9	2.8	33.4	27.1	3.1	30.6	25.8	3.5	-	-	-
	80	72	41.2	20.7	2.0	41.0	21.0	2.2	40.1	21.1	2.5	38.6	20.8	2.8	36.4	20.1	3.2	33.6	19.2	3.6	-	-	-
	75	62	37.2	28.1	2.0	35.5	27.2	2.2	33.7	26.4	2.5	31.8	25.7	2.8	29.8	25.0	3.2	27.7	24.4	3.5	-	-	-

Second Stage (Boost Speed C5) Cooling Matched with B6VMAX36K-B Air Handler

Outdoor Temperature:			65°F			75°F			85°F			95°F			105°F			115°F			125°F		
Blower cfm	Indoor Tdb	Indoor Twb	T.C.	S.C.	kW	T.C.	S.C.	kW	T.C.	S.C.	kW	T.C.	S.C.	kW	T.C.	S.C.	kW	T.C.	S.C.	kW	T.C.	S.C.	kW
1050	80	62	39.1	32.8	2.1	37.6	32.1	2.4	35.8	31.1	2.7	33.8	29.9	3.1	31.6	28.5	3.5	-	-	-	-	-	-
	80	67	42.2	27.2	2.2	41.3	26.9	2.5	39.9	26.4	2.8	37.8	25.6	3.1	35.2	24.5	3.5	-	-	-	-	-	-
	80	72	44.2	21.0	2.1	44.4	21.4	2.3	43.6	21.2	2.6	41.9	20.6	3.0	39.1	19.5	3.6	-	-	-	-	-	-
	75	62	39.6	27.2	2.2	38.0	26.4	2.5	36.1	25.5	2.8	34.1	24.6	3.1	32.0	23.6	3.5	-	-	-	-	-	-
1200	80	62	39.7	34.2	2.2	38.2	33.8	2.5	36.5	33.0	2.8	34.6	31.9	3.2	32.4	30.5	3.6	-	-	-	-	-	-
	80	67	42.5	28.1	2.2	41.9	28.3	2.5	40.6	28.0	2.9	38.6	27.3	3.2	35.8	26.1	3.6	-	-	-	-	-	-
	80	72	44.1	21.4	2.2	44.3	21.7	2.5	43.6	21.7	2.9	42.1	21.3	3.2	39.6	20.5	3.7	-	-	-	-	-	-
	75	62	40.1	28.4	2.2	38.6	27.8	2.5	36.8	27.0	2.9	34.8	26.1	3.2	32.6	25.0	3.6	-	-	-	-	-	-
1350	80	62	40.3	35.6	2.3	38.9	35.5	2.6	37.2	35.0	2.9	35.3	34.0	3.3	33.1	32.5	3.7	-	-	-	-	-	-
	80	67	42.9	29.0	2.3	42.5	29.7	2.6	41.3	29.7	2.9	39.3	29.1	3.3	36.5	27.8	3.7	-	-	-	-	-	-
	80	72	44.5	22.1	2.3	45.1	22.8	2.6	44.6	23.0	3.0	43.0	22.6	3.3	40.3	21.6	3.8	-	-	-	-	-	-
	75	62	40.7	29.6	2.3	39.2	29.3	2.6	37.4	28.6	2.9	35.4	27.6	3.3	33.2	26.4	3.7	-	-	-	-	-	-

E.D.B. = Entering dry bulb E.W.B. = Entering wet bulb T.C. = Total Capacity S.C. = Sensible Capacity kW = Kilo Watts

NOTE: For outdoor temperature ranges that are blank, values are omitted because the interface controller may reduce compressor speed for protection.

COOLING EXPANDED RATINGS WITH AIR HANDLER (CONTINUED)

4 Ton Split Heat Pump w/ Air Handler First Stage (Low Speed C1) Cooling Matched with B6VMAX48K-C Air Handler

Outdoor Temperature:			65°F			75°F			85°F			95°F			105°F			115°F			125°F		
Blower cfm	Indoor Tdb	Indoor Twb	T.C.	S.C.	kW	T.C.	S.C.	kW	T.C.	S.C.	kW	T.C.	S.C.	kW	T.C.	S.C.	kW	T.C.	S.C.	kW	T.C.	S.C.	kW
750	80	62	25.7	22.4	1.0	24.4	21.9	1.2	23.1	21.3	1.4	21.6	20.6	1.6	20.1	19.8	1.9	18.5	18.5	2.1	16.7	16.7	2.4
	80	67	29.7	19.8	1.0	29.0	19.9	1.1	27.7	19.5	1.4	25.6	18.5	1.6	22.9	17.0	1.9	19.4	14.8	2.2	15.3	12.0	2.5
	80	72	32.0	15.5	0.9	30.2	14.8	1.1	28.5	14.2	1.4	26.7	13.6	1.6	24.9	13.0	1.9	23.1	12.5	2.1	21.4	11.9	2.4
	75	62	25.7	19.3	1.0	24.5	18.7	1.2	23.1	18.0	1.4	21.7	17.3	1.6	20.2	16.4	1.9	18.7	15.4	2.1	17.0	14.3	2.4
900	80	62	26.8	24.9	1.0	25.4	24.1	1.2	24.0	23.2	1.4	22.5	22.1	1.7	21.0	20.9	1.9	19.4	19.4	2.2	17.8	17.8	2.5
	80	67	30.6	21.6	1.0	29.9	21.8	1.2	28.6	21.4	1.4	26.5	20.5	1.6	23.8	18.9	1.9	20.3	16.7	2.2	16.1	13.6	2.5
	80	72	32.8	16.6	0.9	31.1	16.0	1.1	29.4	15.4	1.4	27.6	14.8	1.6	25.7	14.3	1.9	23.7	13.7	2.2	21.7	13.0	2.5
	75	62	26.8	21.1	1.0	25.5	20.3	1.2	24.0	19.6	1.4	22.5	18.9	1.6	20.9	18.1	1.9	19.2	17.2	2.2	17.5	16.3	2.5
1050	80	62	28.0	27.5	1.0	26.4	26.2	1.2	24.9	24.9	1.4	23.4	23.4	1.7	21.8	21.8	1.9	20.3	20.3	2.2	18.8	18.6	2.5
	80	67	31.5	23.5	1.0	30.8	23.8	1.2	29.5	23.5	1.4	27.4	22.6	1.7	24.6	21.0	1.9	21.1	18.6	2.2	17.0	15.4	2.5
	80	72	33.6	17.8	1.0	32.1	17.2	1.2	30.3	16.6	1.4	28.5	16.1	1.7	26.5	15.6	1.9	24.3	14.9	2.2	22.0	14.2	2.5
	75	62	26.8	21.1	1.0	25.5	20.3	1.2	24.0	19.6	1.4	22.5	18.9	1.6	20.9	18.1	1.9	19.2	17.2	2.2	17.5	16.3	2.5

Second Stage (Nominal High Speed C4) Cooling Matched with B6VMAX48K-C Air Handler

Outdoor Temperature:			65°F			75°F			85°F			95°F			105°F			115°F			125°F		
Blower cfm	Indoor Tdb	Indoor Twb	T.C.	S.C.	kW	T.C.	S.C.	kW	T.C.	S.C.	kW	T.C.	S.C.	kW	T.C.	S.C.	kW	T.C.	S.C.	kW	T.C.	S.C.	kW
1200	80	62	45.1	37.8	2.4	43.3	37.0	2.7	41.3	36.0	3.0	39.0	34.9	3.4	36.6	33.8	3.8	34.0	32.4	4.2	-	-	-
	80	67	49.5	32.1	2.3	48.1	31.9	2.7	45.9	31.1	3.0	43.1	29.8	3.4	39.5	28.0	3.8	35.3	25.6	4.3	-	-	-
	80	72	53.5	25.8	2.3	51.7	25.1	2.7	49.6	24.3	3.1	47.0	23.4	3.5	44.1	22.3	3.9	40.7	20.9	4.3	-	-	-
	75	62	44.8	32.4	2.4	42.2	30.9	2.7	39.8	29.6	3.0	37.6	28.5	3.4	35.6	27.6	3.8	33.7	26.9	4.2	-	-	-
1350	80	62	46.1	40.2	2.4	44.2	39.2	2.8	42.1	38.2	3.1	39.9	37.0	3.5	37.4	35.7	3.9	34.9	34.2	4.3	-	-	-
	80	67	50.4	33.8	2.4	49.0	33.5	2.8	46.8	32.8	3.1	44.0	31.5	3.5	40.4	29.6	3.9	36.2	27.1	4.4	-	-	-
	80	72	54.1	26.6	2.4	52.6	26.2	2.8	50.6	25.5	3.1	48.0	24.6	3.5	44.9	23.3	4.0	41.3	21.8	4.4	-	-	-
	75	62	45.7	33.9	2.4	43.3	32.5	2.8	40.9	31.2	3.1	38.5	30.1	3.5	36.2	29.0	3.9	34.0	28.0	4.3	-	-	-
1500	80	62	47.0	42.5	2.5	45.0	41.6	2.8	42.9	40.5	3.2	40.7	39.2	3.6	38.3	37.8	4.0	35.7	35.7	4.4	-	-	-
	80	67	51.4	35.5	2.5	49.9	35.3	2.8	47.8	34.5	3.2	45.0	33.1	3.6	41.4	31.2	4.0	37.1	28.7	4.5	-	-	-
	80	72	54.6	27.4	2.5	53.5	27.2	2.8	51.6	26.6	3.2	49.1	25.7	3.6	45.8	24.4	4.1	41.9	22.7	4.5	-	-	-
	75	62	46.5	35.5	2.5	44.3	34.2	2.8	41.9	32.9	3.2	39.5	31.7	3.6	36.9	30.5	3.9	34.2	29.2	4.3	-	-	-

Second Stage (Boost Speed C5) Cooling Matched with B6VMAX48K-C Air Handler

Outdoor Temperature:			65°F			75°F			85°F			95°F			105°F			115°F			125°F		
Blower cfm	Indoor Tdb	Indoor Twb	T.C.	S.C.	kW	T.C.	S.C.	kW	T.C.	S.C.	kW	T.C.	S.C.	kW	T.C.	S.C.	kW	T.C.	S.C.	kW	T.C.	S.C.	kW
1200	80	62	52.3	41.3	3.2	49.9	40.3	3.6	47.7	39.2	4.0	45.7	38.1	4.4	43.9	37.0	4.9	-	-	-	-	-	-
	80	67	57.8	36.2	3.2	56.5	35.9	3.6	54.6	35.2	4.1	51.9	34.1	4.6	48.5	32.4	5.1	-	-	-	-	-	-
	80	72	61.0	28.7	3.3	60.1	28.3	3.7	58.2	27.6	4.1	55.3	26.6	4.6	51.4	25.2	5.1	-	-	-	-	-	-
	75	62	52.1	36.3	3.2	49.9	35.2	3.6	47.6	33.9	4.0	45.1	32.7	4.4	42.4	31.3	4.9	-	-	-	-	-	-
1350	80	62	53.9	44.1	3.3	51.6	43.0	3.7	49.2	41.8	4.1	46.8	40.5	4.6	44.3	39.1	5.0	-	-	-	-	-	-
	80	67	57.9	37.1	3.3	56.7	36.9	3.7	54.8	36.3	4.1	52.2	35.1	4.6	48.9	33.5	5.1	-	-	-	-	-	-
	80	72	61.4	29.5	3.3	61.0	29.3	3.8	59.4	28.8	4.2	56.5	27.8	4.7	52.4	26.3	5.1	-	-	-	-	-	-
	75	62	53.6	38.2	3.3	51.3	37.1	3.7	48.9	35.8	4.1	46.4	34.5	4.5	43.7	33.1	5.0	-	-	-	-	-	-
1500	80	62	55.5	46.9	3.3	53.2	45.8	3.8	50.6	44.5	4.2	47.8	43.0	4.7	44.8	41.1	5.1	-	-	-	-	-	-
	80	67	58.1	38.1	3.3	57.0	37.9	3.8	55.1	37.3	4.2	52.5	36.2	4.7	49.3	34.5	5.1	-	-	-	-	-	-
	80	72	61.8	30.3	3.4	61.9	30.5	3.9	60.5	30.1	4.3	57.7	29.0	4.8	53.3	27.3	5.2	-	-	-	-	-	-
	75	62	55.1	40.2	3.4	52.7	39.0	3.8	50.3	37.7	4.2	47.7	36.4	4.6	44.9	35.0	5.1	-	-	-	-	-	-

E.D.B. = Entering dry bulb E.W.B. = Entering wet bulb T.C. = Total Capacity S.C. = Sensible Capacity kW = Kilo Watts

NOTE: For outdoor temperature ranges that are blank, values are omitted because the interface controller may reduce compressor speed for protection.

COOLING EXPANDED RATINGS WITH AIR HANDLER (CONTINUED)

5 Ton Split Heat Pump w/ Air Handler

First Stage (Low Speed C1) Cooling

Matched with B6VMAX60K-C Air Handler

Outdoor Temperature:			65°F			75°F			85°F			95°F			105°F			115°F			125°F		
Blower cfm	Indoor Tdb	Indoor Twb	T.C.	S.C.	kW	T.C.	S.C.	kW	T.C.	S.C.	kW	T.C.	S.C.	kW	T.C.	S.C.	kW	T.C.	S.C.	kW	T.C.	S.C.	kW
850	80	62	27.6	25.2	1.0	26.1	24.6	1.2	24.6	23.9	1.4	23.1	23.1	1.7	21.6	21.6	1.9	20.1	20.1	2.1	18.7	18.7	2.4
	80	67	31.0	21.3	1.0	29.6	20.9	1.2	28.1	20.4	1.4	26.3	19.8	1.6	24.3	19.0	1.9	22.2	18.0	2.1	19.8	16.7	2.4
	80	72	34.4	16.9	0.9	33.0	16.4	1.1	31.3	15.8	1.4	29.4	15.2	1.6	27.3	14.6	1.9	25.0	13.8	2.1	22.5	12.9	2.4
	75	62	28.2	21.8	1.0	27.0	21.3	1.2	25.5	20.7	1.4	23.8	19.9	1.6	21.7	18.9	1.9	19.3	17.6	2.1	16.6	15.9	2.4
1000	80	62	28.6	28.0	1.0	27.0	27.0	1.2	25.6	25.5	1.5	24.2	24.2	1.7	22.9	22.9	1.9	21.8	21.7	2.2	20.7	20.7	2.4
	80	67	31.7	23.2	1.0	30.4	22.8	1.2	28.8	22.2	1.4	27.0	21.4	1.7	25.0	20.5	1.9	22.8	19.3	2.2	20.3	17.8	2.4
	80	72	35.1	18.1	1.0	33.6	17.6	1.2	31.9	17.1	1.4	30.0	16.5	1.6	27.8	15.7	1.9	25.4	14.8	2.2	22.8	13.8	2.4
	75	62	29.0	23.5	1.1	27.7	23.0	1.2	26.2	22.4	1.5	24.5	21.7	1.7	22.8	20.8	1.9	20.9	19.8	2.2	18.8	18.6	2.4
1150	80	62	29.7	29.7	1.1	28.0	28.0	1.3	26.5	26.5	1.5	25.2	25.2	1.7	24.2	24.2	1.9	23.4	23.4	2.2	22.8	21.0	2.4
	80	67	32.5	25.2	1.0	31.2	24.7	1.2	29.6	24.1	1.5	27.8	23.2	1.7	25.7	22.0	1.9	23.4	20.6	2.2	20.8	18.9	2.5
	80	72	35.8	19.3	1.0	34.3	18.9	1.2	32.6	18.4	1.4	30.6	17.7	1.7	28.4	16.9	1.9	25.9	15.9	2.2	23.2	14.7	2.5
	75	62	29.8	25.3	1.1	28.3	24.8	1.3	26.8	24.3	1.5	25.3	23.6	1.7	23.9	22.9	1.9	22.5	22.2	2.2	21.1	21.0	2.5

Second Stage (Nominal High Speed C4) Cooling

Matched with B6VMAX60K-C Air Handler

Outdoor Temperature:			65°F			75°F			85°F			95°F			105°F			115°F			125°F		
Blower cfm	Indoor Tdb	Indoor Twb	T.C.	S.C.	kW	T.C.	S.C.	kW	T.C.	S.C.	kW	T.C.	S.C.	kW	T.C.	S.C.	kW	T.C.	S.C.	kW	T.C.	S.C.	kW
1350	80	62	55.3	44.4	3.2	52.7	43.7	3.6	50.1	42.9	4.0	47.5	41.8	4.4	44.9	40.6	4.8	42.4	39.2	5.3	-	-	-
	80	67	58.6	37.6	3.2	57.1	36.9	3.6	54.8	35.9	4.0	51.7	34.5	4.5	47.8	32.7	4.9	43.0	30.4	5.4	-	-	-
	80	72	64.4	31.0	3.3	63.3	30.2	3.7	61.4	29.3	4.1	58.7	28.3	4.6	55.1	27.0	5.0	50.6	25.5	5.5	-	-	-
	75	62	54.5	38.7	3.2	52.4	37.6	3.6	50.0	36.4	4.0	47.4	35.1	4.4	44.5	33.7	4.9	41.3	32.1	5.3	-	-	-
1500	80	62	56.4	46.8	3.3	53.7	46.1	3.7	50.9	45.1	4.1	48.2	43.9	4.5	45.5	42.4	4.9	42.9	40.8	5.4	-	-	-
	80	67	59.4	38.9	3.4	58.4	38.5	3.8	56.2	37.7	4.2	53.0	36.3	4.6	48.7	34.3	5.1	43.3	31.6	5.5	-	-	-
	80	72	65.0	31.6	3.4	64.3	31.2	3.8	62.5	30.5	4.2	59.7	29.5	4.7	55.7	28.2	5.1	50.6	26.5	5.6	-	-	-
	75	62	55.5	40.4	3.3	53.3	39.4	3.7	50.9	38.3	4.1	48.2	37.0	4.5	45.3	35.6	5.0	42.2	34.1	5.4	-	-	-
1650	80	62	57.5	49.2	3.4	54.6	48.5	3.8	51.8	47.5	4.1	48.9	46.1	4.6	46.1	44.3	5.0	43.4	42.4	5.5	-	-	-
	80	67	60.2	40.2	3.4	59.6	40.2	3.8	57.6	39.5	4.2	54.3	38.2	4.7	49.6	36.0	5.1	43.6	32.8	5.6	-	-	-
	80	72	65.7	32.2	3.5	65.4	32.1	3.9	63.7	31.7	4.3	60.7	30.8	4.8	56.3	29.5	5.3	50.7	27.6	5.8	-	-	-
	75	62	56.5	42.1	3.4	54.2	41.2	3.8	51.7	40.2	4.2	49.1	39.0	4.6	46.2	37.6	5.0	43.1	36.1	5.5	-	-	-

Second Stage (Boost Speed C5) Cooling

Matched with B6VMAX60K-C Air Handler

Outdoor Temperature:			65°F			75°F			85°F			95°F			105°F			115°F			125°F		
Blower cfm	Indoor Tdb	Indoor Twb	T.C.	S.C.	kW	T.C.	S.C.	kW	T.C.	S.C.	kW	T.C.	S.C.	kW	T.C.	S.C.	kW	T.C.	S.C.	kW	T.C.	S.C.	kW
1350	80	62	62.0	49.4	4.2	59.3	48.0	4.7	56.6	46.6	5.1	53.8	45.1	5.6	50.9	43.6	6.1	-	-	-	-	-	-
	80	67	67.5	42.0	4.3	67.3	42.5	4.8	65.6	42.1	5.3	62.4	40.6	5.8	57.6	38.0	6.3	-	-	-	-	-	-
	80	72	71.2	32.4	4.3	71.4	32.9	4.9	70.0	32.6	5.4	67.1	31.5	6.0	62.6	29.7	6.5	-	-	-	-	-	-
	75	62	62.2	42.6	4.3	59.9	41.5	4.7	57.2	40.3	5.2	54.3	38.9	5.6	51.0	37.2	6.2	-	-	-	-	-	-
1500	80	62	63.2	51.8	4.4	60.6	50.5	4.8	57.8	49.2	5.2	54.9	47.7	5.7	51.8	46.0	6.2	-	-	-	-	-	-
	80	67	68.5	43.4	4.4	68.5	43.7	4.9	66.9	43.2	5.4	63.6	41.8	5.9	58.8	39.6	6.4	-	-	-	-	-	-
	80	72	71.7	34.1	4.4	72.1	34.0	5.0	70.9	33.5	5.5	68.1	32.5	6.1	63.6	30.9	6.6	-	-	-	-	-	-
	75	62	63.1	44.1	4.4	60.9	43.2	4.8	58.3	42.1	5.3	55.3	40.7	5.8	52.1	38.9	6.3	-	-	-	-	-	-
1650	80	62	64.3	54.2	4.5	61.8	53.1	4.9	59.0	51.8	5.4	56.0	50.3	5.9	52.7	48.4	6.3	-	-	-	-	-	-
	80	67	69.5	45.2	4.5	69.7	45.7	5.0	68.2	45.3	5.5	64.9	43.9	6.0	60.0	41.5	6.6	-	-	-	-	-	-
	80	72	72.1	34.8	4.5	72.8	35.0	5.1	71.8	34.7	5.6	69.1	33.8	6.2	64.6	32.2	6.7	-	-	-	-	-	-
	75	62	64.0	45.8	4.5	61.9	45.0	4.9	59.4	43.9	5.4	56.4	42.5	5.9	53.1	40.7	6.4	-	-	-	-	-	-

E.D.B. = Entering dry bulb E.W.B. = Entering wet bulb T.C. = Total Capacity S.C. = Sensible Capacity kW = Kilo Watts

NOTE: For outdoor temperature ranges that are blank, values are omitted because the interface controller may reduce compressor speed for protection.

COOLING EXPANDED RATINGS WITH COIL

2 Ton Split Heat Pump w/ G7 furnace & B Coils

First Stage (Low Speed C1) Cooling

FT4BG024 or PSH4BG024 Heat Pump matched with C6BH-X26C-B or C6BA-F42(C,U)-B+TXV-X2.0 Coil

Outdoor Temperature:			65°F			75°F			85°F			95°F			105°F			115°F			125°F		
Blower cfm	Indoor Tdb	Indoor Twb	T.C.	S.C.	kW	T.C.	S.C.	kW	T.C.	S.C.	kW	T.C.	S.C.	kW	T.C.	S.C.	kW	T.C.	S.C.	kW	T.C.	S.C.	kW
450	80	62	12.5	12.1	0.4	11.8	11.7	0.5	11.1	11.1	0.6	10.5	10.5	0.8	9.9	9.9	0.9	9.2	9.2	1.1	8.7	8.5	1.4
	80	67	13.9	9.8	0.4	13.1	9.5	0.5	12.3	9.3	0.6	11.5	9.1	0.8	10.7	8.8	0.9	9.8	8.5	1.1	8.9	8.1	1.4
	80	72	15.3	7.7	0.4	14.6	7.4	0.5	13.8	7.2	0.6	12.9	6.9	0.7	11.9	6.6	0.9	10.7	6.3	1.1	9.5	5.9	1.3
	75	62	12.6	10.2	0.4	11.8	9.8	0.5	11.0	9.5	0.6	10.3	9.2	0.8	9.6	9.0	0.9	9.0	8.7	1.1	8.3	8.3	1.4
550	80	62	13.3	13.1	0.4	12.5	12.5	0.5	11.8	11.8	0.6	11.1	11.1	0.8	10.4	10.4	0.9	9.7	9.7	1.1	9.1	9.0	1.4
	80	67	14.3	10.8	0.4	13.5	10.7	0.5	12.6	10.5	0.6	11.8	10.2	0.8	11.0	9.8	0.9	10.2	9.5	1.1	9.3	9.0	1.4
	80	72	15.7	8.3	0.4	15.0	8.1	0.5	14.2	7.8	0.6	13.3	7.6	0.8	12.2	7.4	0.9	11.1	7.0	1.1	9.8	6.6	1.4
	75	62	13.1	11.2	0.4	12.2	10.8	0.5	11.4	10.5	0.6	10.7	10.2	0.8	10.0	9.8	1.0	9.3	9.3	1.2	8.7	8.7	1.4
650	80	62	14.2	14.2	0.4	13.3	13.3	0.5	12.4	12.4	0.6	11.6	11.6	0.8	10.9	10.9	1.0	10.2	10.2	1.2	9.5	9.5	1.4
	80	67	14.7	11.9	0.4	13.8	11.6	0.5	12.9	11.4	0.6	12.1	11.1	0.8	11.3	10.8	0.9	10.5	10.5	1.2	9.8	9.8	1.4
	80	72	16.1	8.9	0.4	15.4	8.7	0.5	14.5	8.5	0.6	13.6	8.3	0.8	12.5	8.1	0.9	11.4	7.8	1.1	10.1	7.4	1.4
	75	62	13.6	12.3	0.4	12.7	11.9	0.5	11.8	11.5	0.6	11.1	11.0	0.8	10.3	10.3	1.0	9.6	9.6	1.2	9.0	9.0	1.4

Second Stage (Nominal High Speed C4) Cooling

FT4BG024 or PSH4BG024 Heat Pump matched with C6BH-X26C-B or C6BA-F42(C,U)-B+TXV-X2.0 Coil

Outdoor Temperature:			65°F			75°F			85°F			95°F			105°F			115°F			125°F		
Blower cfm	Indoor Tdb	Indoor Twb	T.C.	S.C.	kW	T.C.	S.C.	kW	T.C.	S.C.	kW	T.C.	S.C.	kW	T.C.	S.C.	kW	T.C.	S.C.	kW	T.C.	S.C.	kW
700	80	62	25.1	21.3	1.2	23.8	20.8	1.4	22.6	20.2	1.6	21.3	19.6	1.8	20.1	18.9	2.0	18.8	18.2	2.2	17.6	17.5	2.5
	80	67	27.1	17.9	1.2	26.0	17.5	1.3	24.7	17.0	1.5	23.4	16.6	1.8	21.9	16.0	2.0	20.4	15.4	2.3	18.8	14.7	2.5
	80	72	29.6	14.3	1.1	28.5	13.9	1.3	27.3	13.5	1.5	25.9	13.0	1.8	24.3	12.5	2.0	22.6	12.0	2.3	20.8	11.3	2.6
	75	62	24.6	18.1	1.2	23.5	17.7	1.4	22.4	17.2	1.6	21.2	16.7	1.8	20.0	16.1	2.0	18.7	15.4	2.3	17.4	14.7	2.5
800	80	62	26.0	23.0	1.2	24.6	22.4	1.4	23.3	21.8	1.6	22.0	21.0	1.8	20.7	20.0	2.0	19.4	19.0	2.3	18.1	17.9	2.5
	80	67	28.4	19.6	1.2	27.1	19.3	1.4	25.7	18.9	1.6	24.4	18.4	1.8	23.1	17.7	2.0	21.8	16.9	2.3	20.5	16.0	2.6
	80	72	30.3	15.0	1.1	29.2	14.6	1.3	27.9	14.2	1.6	26.4	13.7	1.8	24.8	13.2	2.0	23.0	12.6	2.3	21.1	11.9	2.6
	75	62	25.2	19.2	1.2	24.2	18.7	1.4	23.0	18.3	1.6	21.7	17.7	1.8	20.4	17.1	2.0	18.9	16.5	2.3	17.4	15.7	2.6
900	80	62	26.9	24.7	1.2	25.5	24.2	1.4	24.1	23.4	1.6	22.7	22.4	1.8	21.3	21.2	2.0	20.0	19.8	2.3	18.7	18.2	2.6
	80	67	29.2	20.9	1.2	27.8	20.9	1.4	26.4	20.5	1.6	25.1	19.9	1.8	23.7	19.0	2.1	22.4	18.0	2.3	21.1	16.7	2.6
	80	72	30.9	15.7	1.2	29.8	15.3	1.4	28.5	14.9	1.6	27.0	14.4	1.8	25.3	13.8	2.1	23.4	13.2	2.3	21.4	12.4	2.6
	75	62	25.9	20.3	1.2	24.8	19.8	1.4	23.6	19.3	1.6	22.2	18.8	1.8	20.7	18.2	2.1	19.1	17.5	2.3	17.4	16.6	2.6

Second Stage (Boost Speed C5) Cooling

FT4BG024 or PSH4BG024 Heat Pump matched with C6BH-X26C-B or C6BA-F42(C,U)-B+TXV-X2.0 Coil

Outdoor Temperature:			65°F			75°F			85°F			95°F			105°F			115°F			125°F		
Blower cfm	Indoor Tdb	Indoor Twb	T.C.	S.C.	kW	T.C.	S.C.	kW	T.C.	S.C.	kW	T.C.	S.C.	kW	T.C.	S.C.	kW	T.C.	S.C.	kW	T.C.	S.C.	kW
700	80	62	29.1	23.4	1.5	27.5	22.7	1.7	26.0	22.0	1.9	24.4	21.3	2.2	23.0	20.6	2.5	-	-	-	-	-	-
	80	67	31.1	19.6	1.5	29.7	19.1	1.7	28.3	18.5	2.0	26.9	18.0	2.2	25.6	17.4	2.5	-	-	-	-	-	-
	80	72	34.2	16.0	1.5	33.0	15.6	1.7	31.6	15.1	2.0	30.1	14.5	2.2	28.3	13.9	2.5	-	-	-	-	-	-
	75	62	28.3	19.9	1.5	27.2	19.5	1.7	26.0	19.0	2.0	24.7	18.4	2.2	23.1	17.7	2.5	-	-	-	-	-	-
800	80	62	30.1	25.0	1.5	28.6	24.3	1.7	27.0	23.6	2.0	25.4	22.8	2.2	23.7	22.0	2.5	-	-	-	-	-	-
	80	67	32.1	20.8	1.5	30.7	20.2	1.7	29.2	19.7	2.0	27.8	19.1	2.2	26.4	18.6	2.5	-	-	-	-	-	-
	80	72	35.0	16.8	1.5	33.8	16.4	1.7	32.4	15.9	2.0	30.8	15.4	2.3	29.0	14.7	2.5	-	-	-	-	-	-
	75	62	29.2	21.1	1.5	28.2	20.7	1.8	26.9	20.2	2.0	25.4	19.6	2.2	23.8	18.8	2.5	-	-	-	-	-	-
900	80	62	31.2	26.7	1.5	29.6	26.0	1.8	28.0	25.2	2.0	26.3	24.4	2.2	24.5	23.5	2.5	-	-	-	-	-	-
	80	67	33.3	22.2	1.5	32.1	21.9	1.8	30.7	21.4	2.0	29.1	20.8	2.3	27.3	20.0	2.6	-	-	-	-	-	-
	80	72	35.8	17.7	1.5	34.6	17.3	1.8	33.2	16.8	2.0	31.5	16.2	2.3	29.6	15.5	2.6	-	-	-	-	-	-
	75	62	30.2	22.4	1.6	29.1	22.0	1.8	27.8	21.5	2.0	26.2	20.9	2.3	24.4	20.0	2.5	-	-	-	-	-	-

COOLING EXPANDED RATINGS WITH COIL (CONTINUED)

3 Ton Split Heat Pump w/ G7 Furnace + C Coils

First Stage (Low Speed C1) Cooling

FT4BG036 or PSH4BG036 Heat Pump matched with C6BH-X36C-C or C6BA-F48(C,U)-C+TXV-X3.0 Coil

Outdoor Temperature:			65°F			75°F			85°F			95°F			105°F			115°F			125°F		
Blower cfm	Indoor Tdb	Indoor Twb	T.C.	S.C.	kW	T.C.	S.C.	kW	T.C.	S.C.	kW	T.C.	S.C.	kW	T.C.	S.C.	kW	T.C.	S.C.	kW	T.C.	S.C.	kW
700	80	62	19.9	19.1	0.7	19.1	18.5	0.8	18.2	17.9	1.0	17.2	17.0	1.2	16.1	16.0	1.4	14.8	14.8	1.6	13.5	13.5	1.8
	80	67	22.3	16.0	0.7	21.0	15.7	0.8	19.8	15.3	1.0	18.4	14.8	1.2	17.1	14.2	1.4	15.6	13.6	1.6	14.1	12.9	1.8
	80	72	24.4	12.4	0.6	23.2	12.1	0.8	21.9	11.8	1.0	20.5	11.4	1.2	19.0	10.9	1.4	17.5	10.4	1.6	15.8	9.8	1.8
	75	62	20.1	15.4	0.7	19.0	14.9	0.9	17.9	14.5	1.0	16.7	14.0	1.2	15.4	13.5	1.4	14.0	13.0	1.6	12.5	12.5	1.8
800	80	62	20.7	20.1	0.7	19.8	19.4	0.9	18.8	18.6	1.0	17.7	17.6	1.2	16.6	16.6	1.4	15.3	15.3	1.6	14.0	14.0	1.8
	80	67	22.8	17.2	0.7	21.5	16.9	0.9	20.1	16.4	1.0	18.8	15.9	1.2	17.3	15.4	1.4	15.8	14.7	1.6	14.3	14.0	1.8
	80	72	24.8	13.1	0.7	23.6	12.9	0.8	22.3	12.6	1.0	20.9	12.2	1.2	19.4	11.7	1.4	17.7	11.1	1.6	16.0	10.5	1.8
	75	62	20.5	16.5	0.7	19.5	16.1	0.9	18.3	15.7	1.0	17.0	15.2	1.2	15.6	14.6	1.4	14.2	14.0	1.6	12.6	12.6	1.8
900	80	62	21.5	21.1	0.7	20.5	20.3	0.9	19.4	19.3	1.0	18.3	18.3	1.2	17.1	17.1	1.4	15.9	15.8	1.6	14.5	14.5	1.8
	80	67	23.2	18.4	0.7	21.9	18.1	0.9	20.5	17.7	1.0	19.1	17.2	1.2	17.6	16.5	1.4	16.0	15.7	1.6	14.4	14.4	1.9
	80	72	25.3	13.9	0.7	24.1	13.7	0.8	22.8	13.4	1.0	21.4	13.0	1.2	19.8	12.5	1.4	18.0	11.9	1.6	16.2	11.2	1.9
	75	62	21.0	17.7	0.7	19.9	17.5	0.9	18.7	17.0	1.1	17.4	16.4	1.2	15.9	15.6	1.4	14.3	14.3	1.6	12.6	12.6	1.9

Second Stage (Nominal High Speed C4) Cooling

FT4BG036 or PSH4BG036 Heat Pump matched with C6BH-X36C-C or C6BA-F48(C,U)-C+TXV-X3.0 Coil

Outdoor Temperature:			65°F			75°F			85°F			95°F			105°F			115°F			125°F		
Blower cfm	Indoor Tdb	Indoor Twb	T.C.	S.C.	kW	T.C.	S.C.	kW	T.C.	S.C.	kW	T.C.	S.C.	kW	T.C.	S.C.	kW	T.C.	S.C.	kW	T.C.	S.C.	kW
1050	80	62	35.6	30.9	1.8	33.7	30.1	2.1	31.9	29.2	2.4	30.1	28.3	2.7	28.3	27.3	3.0	26.7	26.4	3.4	-	-	-
	80	67	38.9	26.1	1.8	37.4	25.5	2.1	35.8	24.8	2.4	34.0	24.0	2.7	32.0	23.3	3.1	29.8	22.5	3.4	-	-	-
	80	72	40.7	19.7	1.8	40.1	19.8	2.1	39.1	19.6	2.4	37.5	19.2	2.7	35.4	18.5	3.1	32.7	17.6	3.5	-	-	-
	75	62	35.9	25.5	1.8	34.2	24.7	2.1	32.4	23.9	2.4	30.6	23.2	2.7	28.7	22.4	3.0	26.8	21.7	3.4	-	-	-
1200	80	62	36.2	32.7	1.9	34.5	31.9	2.2	32.8	31.0	2.4	31.0	29.9	2.7	29.3	28.7	3.1	27.5	27.4	3.5	-	-	-
	80	67	39.3	27.1	1.9	38.1	26.9	2.2	36.6	26.6	2.5	34.8	26.0	2.8	32.6	25.1	3.1	30.2	24.1	3.5	-	-	-
	80	72	40.9	20.2	1.9	40.5	20.4	2.2	39.5	20.3	2.5	38.0	20.0	2.8	35.8	19.3	3.1	33.1	18.4	3.5	-	-	-
	75	62	36.5	26.8	1.9	34.8	26.0	2.2	33.0	25.2	2.5	31.2	24.4	2.8	29.2	23.7	3.1	27.2	23.0	3.5	-	-	-
1350	80	62	36.9	34.6	2.0	35.3	33.8	2.2	33.7	32.8	2.5	32.0	31.5	2.8	30.2	30.0	3.2	28.4	28.3	3.5	-	-	-
	80	67	39.6	28.1	2.0	38.7	28.5	2.2	37.4	28.4	2.5	35.6	27.9	2.8	33.3	27.1	3.2	30.5	25.8	3.6	-	-	-
	80	72	41.1	20.7	2.0	40.9	21.0	2.3	40.0	21.1	2.5	38.5	20.8	2.9	36.3	20.1	3.2	33.5	19.2	3.6	-	-	-
	75	62	37.1	28.1	2.0	35.4	27.2	2.2	33.6	26.4	2.5	31.7	25.7	2.9	29.7	25.0	3.2	27.6	24.4	3.6	-	-	-

Second Stage (Boost Speed C5) Cooling

FT4BG036 or PSH4BG036 Heat Pump matched with C6BH-X36C-C or C6BA-F48(C,U)-C+TXV-X3.0 Coil

Outdoor Temperature:			65°F			75°F			85°F			95°F			105°F			115°F			125°F		
Blower cfm	Indoor Tdb	Indoor Twb	T.C.	S.C.	kW	T.C.	S.C.	kW	T.C.	S.C.	kW	T.C.	S.C.	kW	T.C.	S.C.	kW	T.C.	S.C.	kW	T.C.	S.C.	kW
1050	80	62	39.0	32.8	2.2	37.5	32.1	2.5	35.7	31.1	2.8	33.7	29.9	3.1	31.5	28.5	3.5	-	-	-	-	-	-
	80	67	42.1	27.2	2.2	41.2	26.9	2.5	39.8	26.4	2.8	37.7	25.6	3.2	35.1	24.5	3.6	-	-	-	-	-	-
	80	72	44.1	21.0	2.1	44.3	21.4	2.3	43.5	21.2	2.6	41.8	20.6	3.0	39.0	19.5	3.6	-	-	-	-	-	-
	75	62	39.5	27.2	2.2	37.9	26.4	2.5	36.0	25.5	2.8	34.0	24.6	3.2	31.9	23.6	3.5	-	-	-	-	-	-
1200	80	62	39.6	34.2	2.2	38.1	33.8	2.5	36.4	33.0	2.8	34.5	31.9	3.2	32.3	30.5	3.6	-	-	-	-	-	-
	80	67	42.4	28.1	2.3	41.8	28.3	2.6	40.5	28.0	2.9	38.5	27.3	3.3	35.7	26.1	3.7	-	-	-	-	-	-
	80	72	44.0	21.4	2.3	44.2	21.7	2.6	43.5	21.7	2.9	42.0	21.3	3.3	39.5	20.5	3.7	-	-	-	-	-	-
	75	62	40.0	28.4	2.3	38.5	27.8	2.6	36.7	27.0	2.9	34.7	26.1	3.2	32.5	25.0	3.6	-	-	-	-	-	-
1350	80	62	40.2	35.6	2.3	38.8	35.5	2.6	37.1	35.0	2.9	35.2	34.0	3.3	33.0	32.5	3.7	-	-	-	-	-	-
	80	67	42.8	29.0	2.4	42.4	29.7	2.6	41.2	29.7	3.0	39.2	29.1	3.3	36.4	27.8	3.7	-	-	-	-	-	-
	80	72	44.4	22.1	2.4	45.0	22.8	2.7	44.5	23.0	3.0	42.9	22.6	3.4	40.2	21.6	3.8	-	-	-	-	-	-
	75	62	40.6	29.6	2.3	39.1	29.3	2.6	37.3	28.6	3.0	35.3	27.6	3.3	33.1	26.4	3.7	-	-	-	-	-	-

COOLING EXPANDED RATINGS WITH COIL (CONTINUED)

4 Ton Split Heat Pump w/ G7 Furnace + C Coils First Stage (Low Speed C1) Cooling

FT4BG048 or PSH4BG048 Heat Pump matched with C6BH-X48C-C or C6BA-F60(C,U)-C+TXV-X4.0 Coil

Outdoor Temperature:			65°F			75°F			85°F			95°F			105°F			115°F			125°F		
Blower cfm	Indoor Tdb	Indoor Twb	T.C.	S.C.	kW	T.C.	S.C.	kW	T.C.	S.C.	kW	T.C.	S.C.	kW	T.C.	S.C.	kW	T.C.	S.C.	kW	T.C.	S.C.	kW
750	80	62	25.6	22.4	1.0	24.3	21.9	1.2	23.0	21.3	1.4	21.6	20.5	1.6	20.0	19.7	1.9	18.4	18.4	2.2	16.7	16.6	2.5
	80	67	29.6	19.7	1.0	28.9	19.8	1.2	27.6	19.4	1.4	25.6	18.5	1.6	22.8	16.9	1.9	19.4	14.8	2.2	15.2	11.9	2.5
	80	72	31.9	15.4	0.9	30.2	14.8	1.1	28.4	14.2	1.4	26.6	13.6	1.6	24.8	13.0	1.9	23.1	12.4	2.2	21.3	11.8	2.5
	75	62	25.7	19.3	1.0	24.4	18.7	1.2	23.1	18.0	1.4	21.6	17.3	1.6	20.2	16.4	1.9	18.6	15.4	2.2	16.9	14.3	2.5
900	80	62	26.7	24.9	1.0	25.3	24.1	1.2	23.9	23.1	1.4	22.4	22.0	1.7	20.9	20.8	1.9	19.3	19.3	2.2	17.7	17.7	2.5
	80	67	30.5	21.6	1.0	29.9	21.7	1.2	28.5	21.4	1.4	26.4	20.4	1.7	23.7	18.9	1.9	20.2	16.6	2.2	16.0	13.6	2.5
	80	72	32.7	16.6	1.0	31.1	16.0	1.2	29.3	15.4	1.4	27.5	14.8	1.6	25.6	14.2	1.9	23.7	13.6	2.2	21.6	13.0	2.5
	75	62	26.8	21.1	1.0	25.4	20.3	1.2	23.9	19.6	1.4	22.4	18.9	1.7	20.8	18.1	1.9	19.1	17.2	2.2	17.4	16.3	2.5
1050	80	62	27.9	27.4	1.0	26.3	26.2	1.2	24.8	24.8	1.5	23.3	23.3	1.7	21.8	21.8	2.0	20.2	20.2	2.2	18.7	18.5	2.5
	80	67	31.4	23.5	1.0	30.8	23.7	1.2	29.4	23.4	1.4	27.3	22.5	1.7	24.5	20.9	1.9	21.1	18.5	2.2	16.9	15.3	2.6
	80	72	33.5	17.7	1.0	32.0	17.2	1.2	30.3	16.6	1.4	28.4	16.1	1.7	26.4	15.5	1.9	24.3	14.9	2.2	22.0	14.2	2.5
	75	62	27.9	22.9	1.0	26.4	22.0	1.2	24.8	21.2	1.5	23.2	20.5	1.7	21.5	19.9	2.0	19.7	19.2	2.2	17.8	17.8	2.5

Second Stage (Nominal High Speed C4) Cooling

FT4BG048 or PSH4BG048 Heat Pump matched with C6BH-X48C-C or C6BA-F60(C,U)-C+TXV-X4.0 Coil

Outdoor Temperature:			65°F			75°F			85°F			95°F			105°F			115°F			125°F		
Blower cfm	Indoor Tdb	Indoor Twb	T.C.	S.C.	kW	T.C.	S.C.	kW	T.C.	S.C.	kW	T.C.	S.C.	kW	T.C.	S.C.	kW	T.C.	S.C.	kW	T.C.	S.C.	kW
1200	80	62	44.9	37.6	2.4	43.1	36.7	2.8	41.0	35.8	3.1	38.8	34.7	3.5	36.4	33.5	3.9	33.8	32.2	4.2	-	-	-
	80	67	49.8	32.3	2.4	48.3	32.0	2.8	46.2	31.3	3.1	43.3	30.0	3.5	39.8	28.2	3.9	35.5	25.7	4.4	-	-	-
	80	72	53.3	25.6	2.4	51.5	25.0	2.8	49.3	24.2	3.1	46.8	23.3	3.5	43.8	22.1	3.9	40.5	20.8	4.4	-	-	-
	75	62	44.6	32.4	2.4	42.0	30.9	2.7	39.6	29.6	3.1	37.3	28.5	3.5	35.3	27.6	3.9	33.5	26.9	4.3	-	-	-
1350	80	62	45.8	39.9	2.5	43.9	39.0	2.8	41.9	38.0	3.2	39.6	36.8	3.6	37.2	35.5	3.9	34.6	34.0	4.3	-	-	-
	80	67	50.4	33.8	2.5	49.0	33.5	2.8	46.8	32.8	3.2	44.0	31.5	3.6	40.4	29.6	4.0	36.2	27.1	4.5	-	-	-
	80	72	53.8	26.5	2.5	52.4	26.0	2.8	50.4	25.4	3.2	47.8	24.4	3.6	44.7	23.2	4.0	41.0	21.7	4.5	-	-	-
	75	62	45.4	33.9	2.5	43.0	32.5	2.8	40.6	31.2	3.2	38.3	30.1	3.5	36.0	29.0	3.9	33.7	28.0	4.3	-	-	-
1500	80	62	46.7	42.3	2.5	44.8	41.3	2.9	42.7	40.2	3.2	40.4	39.0	3.6	38.0	37.5	4.0	35.5	35.5	4.4	-	-	-
	80	67	51.7	35.7	2.6	50.2	35.4	2.9	48.1	34.7	3.3	45.2	33.3	3.7	41.7	31.4	4.1	37.4	28.9	4.5	-	-	-
	80	72	54.4	27.3	2.6	53.3	27.1	2.9	51.4	26.5	3.3	48.8	25.6	3.7	45.6	24.3	4.1	41.6	22.6	4.6	-	-	-
	75	62	46.3	35.5	2.6	44.1	34.2	2.9	41.7	32.9	3.3	39.2	31.7	3.6	36.6	30.5	4.0	33.9	29.2	4.4	-	-	-

Second Stage (Boost Speed C5) Cooling

FT4BG048 or PSH4BG048 Heat Pump matched with C6BH-X48C-C or C6BA-F60(C,U)-C+TXV-X4.0 Coil

Outdoor Temperature:			65°F			75°F			85°F			95°F			105°F			115°F			125°F		
Blower cfm	Indoor Tdb	Indoor Twb	T.C.	S.C.	kW	T.C.	S.C.	kW	T.C.	S.C.	kW	T.C.	S.C.	kW	T.C.	S.C.	kW	T.C.	S.C.	kW	T.C.	S.C.	kW
1200	80	62	52.1	41.1	3.3	49.7	40.1	3.7	47.5	39.0	4.1	45.5	37.9	4.5	43.6	36.8	5.0	-	-	-	-	-	-
	80	67	57.5	36.0	3.3	56.3	35.8	3.7	54.3	35.1	4.2	51.7	33.9	4.6	48.3	32.3	5.1	-	-	-	-	-	-
	80	72	60.8	28.6	3.3	59.9	28.1	3.8	58.0	27.5	4.2	55.1	26.5	4.7	51.2	25.1	5.1	-	-	-	-	-	-
	75	62	51.9	36.3	3.3	49.7	35.2	3.6	47.3	33.9	4.1	44.8	32.7	4.5	42.2	31.3	5.0	-	-	-	-	-	-
1350	80	62	53.7	43.9	3.3	51.3	42.8	3.8	48.9	41.6	4.2	46.5	40.3	4.6	44.1	38.8	5.1	-	-	-	-	-	-
	80	67	57.7	37.0	3.3	56.5	36.8	3.8	54.6	36.1	4.2	52.0	35.0	4.7	48.7	33.3	5.2	-	-	-	-	-	-
	80	72	61.2	29.4	3.4	60.8	29.2	3.8	59.1	28.7	4.3	56.3	27.7	4.7	52.1	26.2	5.2	-	-	-	-	-	-
	75	62	53.3	38.2	3.3	51.1	37.1	3.7	48.7	35.8	4.2	46.1	34.5	4.6	43.4	33.1	5.1	-	-	-	-	-	-
1500	80	62	55.3	46.7	3.4	52.9	45.6	3.9	50.4	44.3	4.3	47.6	42.8	4.7	44.5	40.9	5.1	-	-	-	-	-	-
	80	67	57.9	37.9	3.4	56.7	37.8	3.8	54.9	37.1	4.3	52.3	36.0	4.7	49.0	34.3	5.2	-	-	-	-	-	-
	80	72	61.5	30.2	3.5	61.7	30.3	3.9	60.3	29.9	4.4	57.4	28.9	4.8	53.0	27.2	5.3	-	-	-	-	-	-
	75	62	54.8	40.2	3.4	52.5	39.0	3.8	50.0	37.7	4.2	47.4	36.4	4.7	44.7	35.0	5.2	-	-	-	-	-	-

COOLING EXPANDED RATINGS WITH COIL (CONTINUED)

5 Ton Split Heat Pump w/ G7 + D coils

First Stage (Low Speed C1) Cooling

FT4BG060 or PSH4BG060 Heat Pump matched with C6BH-X60C-D or C6BA-F60(C,U)-D+TXV-X5.0 Coil

Outdoor Temperature:			65°F			75°F			85°F			95°F			105°F			115°F			125°F		
Blower cfm	Indoor Tdb	Indoor Twb	T.C.	S.C.	kW	T.C.	S.C.	kW	T.C.	S.C.	kW	T.C.	S.C.	kW	T.C.	S.C.	kW	T.C.	S.C.	kW	T.C.	S.C.	kW
850	80	62	27.6	25.2	1.0	26.1	24.6	1.2	24.6	23.9	1.4	23.1	23.1	1.7	21.6	21.6	1.9	20.1	20.1	2.1	18.7	18.7	2.4
	80	67	31.0	21.3	1.0	29.6	20.9	1.2	28.1	20.4	1.4	26.3	19.8	1.6	24.3	19.0	1.9	22.2	18.0	2.1	19.8	16.7	2.4
	80	72	34.4	16.9	0.9	33.0	16.4	1.1	31.3	15.8	1.4	29.4	15.2	1.6	27.3	14.6	1.9	25.0	13.8	2.1	22.5	12.9	2.4
	75	62	28.2	21.8	1.0	27.0	21.3	1.2	25.5	20.7	1.4	23.8	19.9	1.6	21.7	18.9	1.9	19.3	17.6	2.1	16.6	15.9	2.4
1000	80	62	28.6	28.0	1.0	27.0	27.0	1.2	25.6	25.5	1.5	24.2	24.2	1.7	22.9	22.9	1.9	21.8	21.7	2.2	20.7	20.7	2.4
	80	67	31.7	23.2	1.0	30.4	22.8	1.2	28.8	22.2	1.4	27.0	21.4	1.7	25.0	20.5	1.9	22.8	19.3	2.2	20.3	17.8	2.4
	80	72	35.1	18.1	1.0	33.6	17.6	1.2	31.9	17.1	1.4	30.0	16.5	1.6	27.8	15.7	1.9	25.4	14.8	2.2	22.8	13.8	2.4
	75	62	29.0	23.5	1.1	27.7	23.0	1.2	26.2	22.4	1.5	24.5	21.7	1.7	22.8	20.8	1.9	20.9	19.8	2.2	18.8	18.6	2.4
1150	80	62	29.7	29.7	1.1	28.0	28.0	1.3	26.5	26.5	1.5	25.2	25.2	1.7	24.2	24.2	1.9	23.4	23.4	2.2	22.8	21.0	2.4
	80	67	32.5	25.2	1.0	31.2	24.7	1.2	29.6	24.1	1.5	27.8	23.2	1.7	25.7	22.0	1.9	23.4	20.6	2.2	20.8	18.9	2.5
	80	72	35.8	19.3	1.0	34.3	18.9	1.2	32.6	18.4	1.4	30.6	17.7	1.7	28.4	16.9	1.9	25.9	15.9	2.2	23.2	14.7	2.5
	75	62	29.8	25.3	1.1	28.3	24.8	1.3	26.8	24.3	1.5	25.3	23.6	1.7	23.9	22.9	1.9	22.5	22.2	2.2	21.1	21.0	2.5

Second Stage (Nominal High Speed C4) Cooling

FT4BG060 or PSH4BG060 Heat Pump matched with C6BH-X60C-D or C6BA-F60(C,U)-D+TXV-X5.0 Coil

Outdoor Temperature:			65°F			75°F			85°F			95°F			105°F			115°F			125°F		
Blower cfm	Indoor Tdb	Indoor Twb	T.C.	S.C.	kW	T.C.	S.C.	kW	T.C.	S.C.	kW	T.C.	S.C.	kW	T.C.	S.C.	kW	T.C.	S.C.	kW	T.C.	S.C.	kW
1350	80	62	55.2	44.3	3.3	52.6	43.7	3.6	50.0	42.8	4.0	47.4	41.7	4.4	44.8	40.5	4.9	42.3	39.1	5.3	-	-	-
	80	67	58.5	37.5	3.2	57.0	36.8	3.6	54.7	35.8	4.1	51.6	34.5	4.5	47.7	32.6	4.9	42.9	30.3	5.4	-	-	-
	80	72	64.3	31.0	3.3	63.2	30.2	3.7	61.3	29.3	4.1	58.5	28.2	4.6	55.0	27.0	5.1	50.5	25.4	5.5	-	-	-
	75	62	54.4	38.7	3.3	52.3	37.6	3.6	49.9	36.4	4.0	47.3	35.1	4.5	44.4	33.7	4.9	41.2	32.1	5.4	-	-	-
1500	80	62	56.3	46.7	3.3	53.5	46.0	3.7	50.8	45.0	4.1	48.1	43.8	4.5	45.4	42.3	5.0	42.8	40.7	5.4	-	-	-
	80	67	59.4	38.9	3.4	58.4	38.5	3.8	56.2	37.7	4.2	53.0	36.3	4.7	48.7	34.3	5.1	43.3	31.6	5.6	-	-	-
	80	72	64.9	31.6	3.4	64.2	31.1	3.8	62.4	30.4	4.3	59.6	29.5	4.7	55.6	28.2	5.2	50.5	26.5	5.7	-	-	-
	75	62	55.4	40.4	3.4	53.2	39.4	3.7	50.8	38.3	4.1	48.1	37.0	4.5	45.2	35.6	5.0	42.1	34.1	5.4	-	-	-
1650	80	62	57.4	49.1	3.4	54.5	48.4	3.8	51.6	47.4	4.2	48.8	46.0	4.6	46.0	44.2	5.1	43.3	42.3	5.5	-	-	-
	80	67	60.1	40.1	3.5	59.5	40.1	3.9	57.5	39.5	4.3	54.2	38.1	4.7	49.5	35.9	5.2	43.5	32.7	5.6	-	-	-
	80	72	65.6	32.2	3.5	65.3	32.0	3.9	63.6	31.6	4.4	60.6	30.8	4.8	56.2	29.4	5.3	50.6	27.6	5.8	-	-	-
	75	62	56.4	42.1	3.4	54.1	41.2	3.8	51.6	40.2	4.2	49.0	39.0	4.6	46.1	37.6	5.1	43.0	36.1	5.5	-	-	-

Second Stage (Boost Speed C5) Cooling

FT4BG060 or PSH4BG060 Heat Pump matched with C6BH-X60C-D or C6BA-F60(C,U)-D+TXV-X5.0 Coil

Outdoor Temperature:			65°F			75°F			85°F			95°F			105°F			115°F			125°F		
Blower cfm	Indoor Tdb	Indoor Twb	T.C.	S.C.	kW	T.C.	S.C.	kW	T.C.	S.C.	kW	T.C.	S.C.	kW	T.C.	S.C.	kW	T.C.	S.C.	kW	T.C.	S.C.	kW
1350	80	62	61.9	49.3	4.3	59.2	47.9	4.7	56.5	46.5	5.1	53.7	45.0	5.6	50.8	43.5	6.1	-	-	-	-	-	-
	80	67	67.4	41.9	4.3	67.2	42.5	4.8	65.5	42.0	5.3	62.3	40.5	5.8	57.5	38.0	6.3	-	-	-	-	-	-
	80	72	71.1	32.4	4.4	71.2	32.8	4.9	69.9	32.5	5.4	67.0	31.5	6.0	62.5	29.7	6.5	-	-	-	-	-	-
	75	62	62.1	42.6	4.3	59.8	41.5	4.7	57.1	40.3	5.2	54.2	38.9	5.7	50.9	37.2	6.2	-	-	-	-	-	-
1500	80	62	63.1	51.7	4.4	60.4	50.5	4.8	57.7	49.1	5.3	54.8	47.6	5.8	51.7	45.9	6.3	-	-	-	-	-	-
	80	67	68.4	43.3	4.4	68.4	43.6	4.9	66.8	43.1	5.4	63.5	41.8	6.0	58.7	39.5	6.5	-	-	-	-	-	-
	80	72	71.6	34.0	4.5	72.0	34.0	5.0	70.8	33.5	5.5	68.0	32.4	6.1	63.5	30.9	6.7	-	-	-	-	-	-
	75	62	63.0	44.1	4.4	60.8	43.2	4.8	58.2	42.1	5.3	55.2	40.7	5.8	51.9	38.9	6.3	-	-	-	-	-	-
1650	80	62	64.2	54.1	4.5	61.7	53.0	4.9	58.9	51.7	5.4	55.9	50.2	5.9	47.6	48.3	6.4	-	-	-	-	-	-
	80	67	69.4	45.1	4.5	69.6	45.6	5.0	68.1	45.2	5.5	64.8	43.8	6.1	59.8	41.4	6.6	-	-	-	-	-	-
	80	72	72.0	34.8	4.6	72.7	35.0	5.1	71.7	34.7	5.6	69.0	33.7	6.2	64.5	32.1	6.8	-	-	-	-	-	-
	75	62	63.9	45.8	4.5	61.8	45.0	4.9	59.2	43.9	5.4	56.3	42.5	5.9	53.0	40.7	6.4	-	-	-	-	-	-

HEATING EXPANDED RATINGS WITH AIR HANDLER

2 Ton Split Heat Pump with Air Handler First Stage (Low Speed H1) Heating Matched with B6VMAX24K-B-Air Handler

Outdoor Temperature:		0°F			10°			17°			20°			30°			40°			47°			50°			60°		
Blower cfm (nominal)	E.D.B	T.C.	COP	kW	T.C.	COP	kW	T.C.	COP	kW	T.C.	COP	kW	T.C.	COP	kW	T.C.	COP	kW	T.C.	COP	kW	T.C.	COP	kW	T.C.	COP	kW
450	60	4.4	2.3	0.6	5.5	2.8	0.6	6.3	3.1	0.6	6.7	3.3	0.6	8.0	3.8	0.6	9.3	4.4	0.6	10.3	4.8	0.6	10.8	5.0	0.6	12.3	5.7	0.6
	70	4.0	1.9	0.6	5.1	2.3	0.6	5.9	2.6	0.7	6.2	2.7	0.7	7.5	3.2	0.7	8.8	3.7	0.7	9.8	4.0	0.7	10.3	4.2	0.7	11.8	4.7	0.7
	80	3.7	1.6	0.7	4.7	2.0	0.7	5.5	2.2	0.7	5.8	2.3	0.7	7.0	2.7	0.8	8.4	3.1	0.8	9.3	3.4	0.8	9.8	3.5	0.8	11.3	4.0	0.8
550	60	4.6	2.4	0.6	5.7	2.8	0.6	6.5	3.2	0.6	6.9	3.4	0.6	8.2	4.0	0.6	9.7	4.6	0.6	10.7	5.2	0.6	11.2	5.4	0.6	12.9	6.3	0.6
	70	4.2	2.0	0.6	5.3	2.4	0.6	6.1	2.7	0.7	6.5	2.8	0.7	7.7	3.3	0.7	9.2	3.9	0.7	10.2	4.3	0.7	10.7	4.5	0.7	12.4	5.1	0.7
	80	3.9	1.7	0.7	4.9	2.1	0.7	5.7	2.3	0.7	6.0	2.4	0.7	7.3	2.8	0.8	8.7	3.3	0.8	9.7	3.6	0.8	10.2	3.8	0.8	11.8	4.3	0.8
650	60	4.7	2.4	0.6	5.8	2.9	0.6	6.7	3.3	0.6	7.1	3.5	0.6	8.5	4.1	0.6	10.0	4.9	0.6	11.1	5.5	0.6	11.6	5.8	0.6	13.4	6.9	0.6
	70	4.5	2.1	0.6	5.5	2.5	0.6	6.3	2.8	0.7	6.7	2.9	0.7	8.0	3.5	0.7	9.5	4.1	0.7	10.6	4.5	0.7	11.1	4.8	0.7	12.9	5.6	0.7
	80	4.2	1.9	0.7	5.1	2.2	0.7	5.9	2.4	0.7	6.2	2.5	0.7	7.5	2.9	0.8	9.0	3.4	0.8	10.1	3.8	0.8	10.6	4.0	0.8	12.4	4.7	0.8

2 Ton Second Stage (Nominal High Speed H4) Heating Matched with B6VMAX24K-B-Air Handler

Outdoor Temperature:		0°F			10°			17°			20°			30°			40°			47°			50°			60°		
Blower cfm (nominal)	E.D.B	T.C.	COP	kW	T.C.	COP	kW	T.C.	COP	kW	T.C.	COP	kW	T.C.	COP	kW	T.C.	COP	kW	T.C.	COP	kW	T.C.	COP	kW	T.C.	COP	kW
700	60	10.0	2.2	1.3	12.3	2.6	1.4	13.9	2.9	1.4	14.7	3.0	1.4	17.2	3.4	1.5	19.9	3.8	1.5	21.9	4.1	1.6	22.7	4.2	1.6	25.7	4.6	1.6
	70	9.7	2.0	1.4	11.9	2.3	1.5	13.5	2.6	1.5	14.2	2.7	1.6	16.7	3.0	1.6	19.3	3.3	1.7	21.2	3.5	1.8	22.0	3.6	1.8	24.8	3.9	1.8
	80	9.3	1.8	1.5	11.5	2.1	1.6	13.0	2.3	1.7	13.7	2.4	1.7	16.1	2.6	1.8	18.6	2.9	1.9	20.5	3.1	1.9	21.3	3.2	2.0	24.0	3.4	2.1
800	60	10.5	2.3	1.3	12.9	2.7	1.4	14.7	3.0	1.4	15.4	3.2	1.4	18.1	3.6	1.5	21.0	4.1	1.5	23.1	4.4	1.5	24.0	4.5	1.6	27.1	5.0	1.6
	70	10.1	2.1	1.4	12.5	2.4	1.5	14.2	2.7	1.5	15.0	2.8	1.6	17.6	3.2	1.6	20.4	3.5	1.7	22.4	3.8	1.7	23.3	3.9	1.7	26.3	4.3	1.8
	80	9.5	1.8	1.5	11.7	2.1	1.6	13.3	2.3	1.7	14.0	2.4	1.7	16.5	2.7	1.8	19.1	3.0	1.9	21.0	3.2	1.9	21.8	3.3	1.9	24.7	3.6	2.0
900	60	10.7	2.4	1.3	13.2	2.8	1.4	15.0	3.1	1.4	15.8	3.2	1.4	18.5	3.7	1.5	21.4	4.2	1.5	23.6	4.5	1.5	24.5	4.7	1.5	27.7	5.2	1.6
	70	10.3	2.1	1.4	12.7	2.5	1.5	14.5	2.8	1.5	15.3	2.9	1.6	18.0	3.3	1.6	20.8	3.7	1.7	22.9	3.9	1.7	23.8	4.1	1.7	27.0	4.5	1.8
	80	9.8	1.9	1.5	12.0	2.2	1.6	13.6	2.4	1.7	14.4	2.5	1.7	16.9	2.8	1.8	19.5	3.1	1.8	21.5	3.3	1.9	22.4	3.4	1.9	25.3	3.8	2.0

2 Ton Second Stage (Boost Speed H5) Heating Matched with B6VMAX24K-B-Air Handler

Outdoor Temperature:		0°F			10°			17°			20°			30°			40°			47°			50°			60°		
Blower cfm (nominal)	E.D.B	T.C.	COP	kW	T.C.	COP	kW	T.C.	COP	kW	T.C.	COP	kW	T.C.	COP	kW	T.C.	COP	kW	T.C.	COP	kW	T.C.	COP	kW	T.C.	COP	kW
700	60	11.3	2.1	1.6	14.0	2.4	1.7	16.0	2.7	1.8	16.8	2.8	1.8	19.7	3.1	1.9	22.7	3.4	2.0	24.9	3.6	2.0	25.8	3.7	2.1	29.0	4.0	2.1
	70	10.9	1.8	1.7	13.6	2.2	1.8	15.5	2.4	1.9	16.3	2.5	1.9	19.1	2.7	2.1	22.0	3.0	2.2	24.1	3.2	2.2	25.0	3.2	2.3	28.1	3.5	2.4
	80	10.6	1.7	1.9	13.1	1.9	2.0	15.0	2.1	2.1	15.8	2.2	2.1	18.5	2.4	2.2	21.3	2.6	2.4	23.3	2.8	2.4	24.1	2.9	2.5	27.1	3.1	2.6
800	60	11.6	2.1	1.6	14.3	2.5	1.7	16.3	2.7	1.8	17.2	2.8	1.8	20.2	3.2	1.9	23.2	3.5	1.9	25.5	3.8	2.0	26.4	3.9	2.0	29.8	4.2	2.1
	70	11.4	1.9	1.7	13.9	2.2	1.8	15.8	2.4	1.9	16.7	2.5	1.9	19.5	2.8	2.0	22.5	3.1	2.1	24.7	3.3	2.2	25.7	3.4	2.2	28.9	3.7	2.3
	80	11.2	1.8	1.9	13.6	2.0	2.0	15.4	2.2	2.1	16.2	2.3	2.1	18.9	2.5	2.2	21.8	2.8	2.3	24.0	2.9	2.4	24.9	3.0	2.4	28.1	3.3	2.5
900	60	11.8	2.1	1.6	14.6	2.5	1.7	16.6	2.8	1.7	17.5	2.9	1.8	20.6	3.3	1.8	23.7	3.7	1.9	26.0	4.0	1.9	27.1	4.1	1.9	30.5	4.5	2.0
	70	11.8	1.9	1.8	14.3	2.3	1.8	16.2	2.5	1.9	17.0	2.6	1.9	20.0	2.9	2.0	23.1	3.3	2.1	25.3	3.5	2.1	26.4	3.6	2.1	29.8	3.9	2.2
	80	11.8	1.8	1.9	14.0	2.1	2.0	15.8	2.2	2.1	16.6	2.3	2.1	19.3	2.6	2.2	22.4	2.9	2.3	24.6	3.1	2.3	25.7	3.2	2.4	29.2	3.5	2.5

T.C.. = Total Capacity COP = Coefficient of Performance kW= Kilo Watts

HEATING EXPANDED RATINGS WITH AIR HANDLER (CONTINUED)

3 Ton Split Heat Pump with Air Handler First Stage (Low Speed H1) Heating Matched with B6VMAX36K-B Air Handler

Blower cfm (nominal)	Outdoor Temperature:	0°F			10°			17°			20°			30°			40°			47°			50°			60°		
	E.D.B	T.C.	COP	kW	T.C.	COP	kW	T.C.	COP	kW	T.C.	COP	kW	T.C.	COP	kW	T.C.	COP	kW	T.C.	COP	kW	T.C.	COP	kW	T.C.	COP	kW
700	60	7.3	2.7	0.8	9.0	3.1	0.8	10.3	3.5	0.9	10.9	3.6	0.9	12.9	4.2	0.9	15.2	4.9	0.9	16.9	5.3	0.9	17.6	5.6	0.9	20.2	6.4	0.9
	70	6.4	2.1	0.9	8.3	2.6	0.9	9.7	3.0	1.0	10.4	3.1	1.0	12.4	3.6	1.0	14.6	4.2	1.0	16.2	4.5	1.0	16.8	4.7	1.1	19.2	5.3	1.1
	80	6.2	1.9	1.0	8.0	2.3	1.0	9.3	2.6	1.1	9.8	2.7	1.1	11.8	3.1	1.1	13.9	3.5	1.2	15.5	3.8	1.2	16.1	4.0	1.2	18.5	4.5	1.2
800	60	7.4	2.7	0.8	9.2	3.1	0.9	10.5	3.5	0.9	11.1	3.7	0.9	13.2	4.3	0.9	15.4	5.0	0.9	17.1	5.5	0.9	17.9	5.7	0.9	20.5	6.6	0.9
	70	6.6	2.2	0.9	8.5	2.6	0.9	9.9	3.0	1.0	10.5	3.1	1.0	12.6	3.7	1.0	14.8	4.2	1.0	16.5	4.7	1.0	17.2	4.8	1.0	19.6	5.5	1.0
	80	6.4	1.9	1.0	8.2	2.3	1.0	9.5	2.6	1.1	10.0	2.7	1.1	12.1	3.2	1.1	14.2	3.6	1.2	15.8	4.0	1.2	16.5	4.1	1.2	19.0	4.7	1.2
900	60	7.6	2.7	0.8	9.3	3.2	0.9	10.7	3.5	0.9	11.3	3.7	0.9	13.4	4.3	0.9	15.7	5.1	0.9	17.4	5.6	0.9	18.2	5.9	0.9	20.9	6.8	0.9
	70	7.0	2.3	0.9	8.8	2.7	1.0	10.1	3.0	1.0	10.7	3.2	1.0	12.8	3.7	1.0	15.0	4.3	1.0	16.7	4.7	1.0	17.4	4.9	1.0	20.0	5.7	1.0
	80	6.6	2.0	1.0	8.4	2.4	1.0	9.7	2.6	1.1	10.3	2.8	1.1	12.3	3.2	1.1	14.5	3.7	1.1	16.2	4.1	1.2	16.9	4.2	1.2	19.4	4.8	1.2

3 Ton Second Stage (Nominal High Speed H4) Heating Matched with B6VMAX36K-B Air Handler

Blower cfm (nominal)	Outdoor Temperature:	0°F			10°			17°			20°			30°			40°			47°			50°			60°		
	E.D.B	T.C.	COP	kW	T.C.	COP	kW	T.C.	COP	kW	T.C.	COP	kW	T.C.	COP	kW	T.C.	COP	kW	T.C.	COP	kW	T.C.	COP	kW	T.C.	COP	kW
1050	60	17.4	2.5	2.0	19.5	2.7	2.1	21.5	2.9	2.2	22.4	3.0	2.2	26.0	3.3	2.3	30.1	3.7	2.4	33.3	4.0	2.5	34.7	4.1	2.5	39.9	4.6	2.6
	70	16.1	2.2	2.1	18.7	2.4	2.3	20.8	2.6	2.4	21.7	2.7	2.4	25.3	3.0	2.5	29.3	3.3	2.6	32.4	3.5	2.7	33.8	3.6	2.7	38.8	4.0	2.8
	80	14.7	1.9	2.3	17.9	2.1	2.4	20.3	2.3	2.5	21.4	2.4	2.6	25.1	2.7	2.7	29.0	3.0	2.9	31.9	3.2	3.0	33.2	3.2	3.0	37.6	3.5	3.1
1200	60	17.8	2.5	2.1	20.4	2.8	2.2	22.5	3.0	2.2	23.5	3.1	2.2	27.3	3.4	2.3	31.7	3.9	2.4	35.2	4.2	2.5	36.7	4.3	2.5	42.3	4.9	2.5
	70	16.4	2.2	2.2	19.4	2.5	2.3	21.8	2.7	2.4	22.9	2.8	2.4	26.8	3.1	2.5	31.1	3.5	2.6	34.4	3.7	2.7	35.9	3.9	2.7	41.1	4.3	2.8
	80	15.1	1.9	2.4	18.3	2.2	2.5	20.7	2.3	2.6	21.7	2.4	2.6	25.5	2.7	2.8	29.5	3.0	2.9	32.5	3.2	3.0	33.8	3.3	3.0	38.3	3.6	3.1
1350	60	18.2	2.5	2.1	20.7	2.8	2.2	22.8	3.0	2.3	23.8	3.1	2.3	27.6	3.4	2.4	32.1	3.9	2.4	35.7	4.2	2.5	37.3	4.4	2.5	43.1	5.0	2.5
	70	16.8	2.2	2.2	19.8	2.5	2.4	22.2	2.7	2.4	23.3	2.8	2.5	27.3	3.1	2.6	31.7	3.5	2.7	35.1	3.8	2.7	36.6	3.9	2.7	41.9	4.4	2.8
	80	15.6	1.9	2.4	18.7	2.2	2.5	21.1	2.3	2.6	22.1	2.4	2.7	25.9	2.7	2.8	29.9	3.0	2.9	33.0	3.3	3.0	34.3	3.4	3.0	39.1	3.7	3.1

3 Ton Second Stage (Boost Speed H5) Heating Matched with B6VMAX36K-B Air Handler

Blower cfm (nominal)	Outdoor Temperature:	0°F			10°			17°			20°			30°			40°			47°			50°			60°		
	E.D.B	T.C.	COP	kW	T.C.	COP	kW	T.C.	COP	kW	T.C.	COP	kW	T.C.	COP	kW	T.C.	COP	kW	T.C.	COP	kW	T.C.	COP	kW	T.C.	COP	kW
1050	60	19.5	2.4	2.3	21.3	2.5	2.5	24.4	2.8	2.5	25.7	2.9	2.6	30.3	3.3	2.7	34.8	3.6	2.8	38.0	3.8	2.9	39.4	3.9	3.0	44.0	4.2	3.1
	70	18.1	2.1	2.5	21.0	2.3	2.6	23.3	2.5	2.7	24.4	2.6	2.8	28.4	2.8	2.9	32.8	3.1	3.1	36.2	3.3	3.2	37.8	3.4	3.2	43.2	3.7	3.4
	80	17.1	1.9	2.6	20.4	2.1	2.8	22.8	2.3	3.0	23.9	2.3	3.0	27.8	2.5	3.2	32.1	2.8	3.4	35.4	3.0	3.5	36.8	3.0	3.6	41.9	3.3	3.7
1200	60	20.0	2.4	2.4	21.9	2.6	2.5	25.0	2.8	2.6	26.3	2.9	2.6	30.8	3.3	2.7	35.4	3.7	2.8	38.7	3.9	2.9	40.1	4.0	2.9	44.9	4.3	3.0
	70	18.7	2.2	2.5	21.6	2.4	2.7	23.9	2.5	2.7	25.0	2.6	2.8	28.9	2.9	2.9	33.4	3.2	3.1	36.8	3.4	3.2	38.4	3.5	3.2	43.8	3.9	3.3
	80	17.4	1.9	2.7	20.7	2.1	2.9	23.3	2.3	3.0	24.4	2.4	3.0	28.4	2.6	3.2	32.8	2.9	3.4	36.1	3.0	3.5	37.6	3.1	3.5	42.8	3.4	3.7
1350	60	20.3	2.4	2.4	22.5	2.6	2.5	25.6	2.9	2.6	26.9	3.0	2.6	31.3	3.4	2.7	36.0	3.7	2.8	39.3	4.0	2.9	40.8	4.1	2.9	45.7	4.5	3.0
	70	19.0	2.2	2.6	21.8	2.4	2.7	24.3	2.5	2.8	25.4	2.6	2.8	29.5	2.9	3.0	34.0	3.2	3.1	37.5	3.5	3.2	39.1	3.6	3.2	44.6	3.9	3.3
	80	17.6	1.9	2.8	21.1	2.1	2.9	23.7	2.3	3.0	24.9	2.4	3.1	29.1	2.7	3.2	33.6	2.9	3.4	36.9	3.1	3.5	38.4	3.2	3.5	43.6	3.5	3.6

T.C. = Total Capacity COP = Coefficient of Performance kW = Kilo Watts

HEATING EXPANDED RATINGS WITH AIR HANDLER (CONTINUED)

4 Ton Split Heat Pump with Air Handler First Stage (Low Speed H1) Heating Matched with B6VMAX48K-C Air Handler

		Outdoor Temperature:		0°F			10°			17°			20°			30°			40°			47°			50°			60°						
Blower cfm	Indoor Tdb	T.C.	COP	kW	T.C.	COP	kW	T.C.	COP	kW	T.C.	COP	kW	T.C.	COP	kW	T.C.	COP	kW	T.C.	COP	kW	T.C.	COP	kW	T.C.	COP	kW	T.C.	COP	kW			
		750	60	7.8	2.8	0.8	9.2	3.1	0.9	10.3	3.3	0.9	10.8	3.5	0.9	12.5	3.9	0.9	14.4	4.3	1.0	15.8	4.7	1.0	16.5	4.8	1.0	18.7	5.4	1.0	17.8	4.4	1.2	16.9
70	6.7		2.2	0.9	8.2	2.6	0.9	9.4	2.8	1.0	9.9	2.9	1.0	11.7	3.3	1.1	13.7	3.6	1.1	15.1	3.9	1.1	15.7	4.0	1.1	17.8	4.4	1.1	17.8	4.4	1.1			
80	5.6		1.7	0.9	7.3	2.1	1.0	8.5	2.3	1.1	9.1	2.4	1.1	11.0	2.8	1.2	12.9	3.1	1.2	14.3	3.3	1.3	14.9	3.4	1.3	16.9	3.7	1.3	16.9	3.7	1.3			
900	60	7.9	2.8	0.8	9.3	3.1	0.9	10.4	3.4	0.9	10.9	3.5	0.9	12.7	3.9	0.9	14.7	4.4	1.0	16.2	4.8	1.0	16.9	5.0	1.0	19.3	5.7	1.0	18.4	4.7	1.1	17.5	3.9	1.3
	70	7.0	2.3	0.9	8.5	2.6	1.0	9.7	2.8	1.0	10.2	2.9	1.0	12.0	3.3	1.1	14.0	3.7	1.1	15.5	4.1	1.1	16.1	4.2	1.1	18.4	4.7	1.1	18.4	4.7	1.1			
	80	6.0	1.8	1.0	7.7	2.2	1.0	8.9	2.4	1.1	9.5	2.5	1.1	11.4	2.8	1.2	13.3	3.2	1.2	14.7	3.4	1.3	15.4	3.6	1.3	17.5	3.9	1.3	17.5	3.9	1.3			
1050	60	8.1	2.8	0.9	9.5	3.1	0.9	10.6	3.4	0.9	11.1	3.5	0.9	13.0	4.0	1.0	15.1	4.6	1.0	16.7	5.0	1.0	17.4	5.2	1.0	19.9	6.0	1.0	19.0	4.9	1.1	18.0	4.1	1.3
	70	7.3	2.3	0.9	8.8	2.6	1.0	10.0	2.9	1.0	10.5	3.0	1.0	12.4	3.4	1.1	14.4	3.9	1.1	15.9	4.2	1.1	16.6	4.4	1.1	19.0	4.9	1.1	19.0	4.9	1.1			
	80	6.5	1.9	1.0	8.1	2.2	1.1	9.3	2.5	1.1	9.9	2.6	1.1	11.8	2.9	1.2	13.7	3.3	1.2	15.2	3.6	1.2	15.8	3.7	1.2	18.0	4.1	1.3	18.0	4.1	1.3			

4 Ton Second Stage (Nominal High Speed H4) Heating Matched with B6VMAX48K-C Air Handler

		Outdoor Temperature:		0°F			10°			17°			20°			30°			40°			47°			50°			60°						
Blower cfm	Indoor Tdb	T.C.	COP	kW	T.C.	COP	kW	T.C.	COP	kW	T.C.	COP	kW	T.C.	COP	kW	T.C.	COP	kW	T.C.	COP	kW	T.C.	COP	kW	T.C.	COP	kW	T.C.	COP	kW	T.C.	COP	kW
		1200	60	20.2	2.3	2.6	24.8	2.6	2.7	28.2	2.9	2.9	29.7	2.9	2.9	34.9	3.2	3.2	40.4	3.5	3.4	44.5	3.7	3.5	46.2	3.8	3.6	52.4	4.0	3.8	51.2	3.6	4.2	49.9
70	19.3		2.1	2.8	23.9	2.4	3.0	27.3	2.6	3.1	28.8	2.6	3.2	34.0	2.9	3.4	39.4	3.1	3.7	43.4	3.3	3.8	45.2	3.4	3.9	51.2	3.6	4.2	51.2	3.6	4.2			
80	18.3		1.8	3.0	23.0	2.1	3.2	26.4	2.3	3.4	27.9	2.4	3.4	33.1	2.6	3.7	38.4	2.8	4.0	42.4	3.0	4.1	44.1	3.0	4.2	49.9	3.2	4.5	49.9	3.2	4.5			
1350	60	20.7	2.4	2.6	25.3	2.7	2.8	28.6	2.9	2.9	30.1	3.0	3.0	35.4	3.3	3.2	41.0	3.6	3.4	45.1	3.8	3.5	46.9	3.8	3.6	53.1	4.1	3.8	53.1	4.1	3.8			
	70	19.7	2.1	2.8	24.4	2.4	3.0	27.8	2.6	3.1	29.3	2.7	3.2	34.5	2.9	3.4	40.0	3.2	3.7	44.0	3.4	3.8	45.8	3.5	3.9	51.8	3.7	4.1	51.8	3.7	4.1			
	80	18.7	1.8	3.0	23.5	2.1	3.2	26.9	2.3	3.4	28.4	2.4	3.5	33.6	2.7	3.7	39.0	2.9	3.9	43.0	3.1	4.1	44.7	3.1	4.2	50.5	3.3	4.5	50.5	3.3	4.5			
1500	60	21.2	2.4	2.6	25.7	2.7	2.8	29.1	2.9	2.9	30.6	3.0	3.0	35.9	3.3	3.2	41.5	3.6	3.3	45.7	3.8	3.5	47.5	3.9	3.5	53.8	4.3	3.7	53.8	4.3	3.7			
	70	20.2	2.1	2.8	24.8	2.4	3.0	28.3	2.6	3.2	29.8	2.7	3.2	35.1	3.0	3.4	40.6	3.3	3.6	44.6	3.5	3.8	46.4	3.5	3.8	52.5	3.8	4.1	52.5	3.8	4.1			
	80	19.1	1.9	3.0	23.9	2.2	3.2	27.5	2.4	3.4	29.0	2.4	3.5	34.2	2.7	3.7	39.7	3.0	3.9	43.6	3.1	4.1	45.3	3.2	4.2	51.1	3.4	4.4	51.1	3.4	4.4			

4 Ton Second Stage (Boost Speed H5) Heating Matched with B6VMAX48K-C Air Handler

		Outdoor Temperature:		0°F			10°			17°			20°			30°			40°			47°			50°			60°						
Blower cfm	Indoor Tdb	T.C.	COP	kW	T.C.	COP	kW	T.C.	COP	kW	T.C.	COP	kW	T.C.	COP	kW	T.C.	COP	kW	T.C.	COP	kW	T.C.	COP	kW	T.C.	COP	kW	T.C.	COP	kW	T.C.	COP	kW
		1200	60	25.2	2.3	3.2	31.2	2.6	3.5	35.4	2.8	3.7	37.2	2.8	3.8	43.2	3.0	4.2	49.3	3.2	4.5	53.5	3.3	4.7	55.3	3.3	4.8	61.3	3.5	5.2	61.3	3.5	5.2	
70	23.8		1.9	3.6	30.2	2.4	3.7	34.6	2.6	3.9	36.4	2.7	3.9	42.3	3.0	4.2	47.8	3.1	4.5	51.6	3.1	4.8	53.2	3.2	4.9	58.2	3.1	5.4	58.2	3.1	5.4			
80	22.3		1.5	4.1	29.2	2.2	4.0	33.7	2.5	4.0	35.5	2.6	4.0	41.3	2.9	4.2	46.4	3.1	4.5	49.7	3.1	4.9	51.1	3.0	5.0	55.1	2.8	5.7	55.1	2.8	5.7			
1350	60	25.6	2.3	3.2	31.7	2.6	3.5	36.0	2.8	3.7	37.8	2.9	3.8	43.9	3.1	4.1	50.0	3.3	4.4	54.3	3.4	4.6	56.1	3.5	4.7	62.2	3.6	5.0	62.2	3.6	5.0			
	70	24.4	2.0	3.5	30.7	2.4	3.8	35.1	2.6	3.9	36.9	2.7	4.0	42.8	2.9	4.3	48.6	3.1	4.6	52.5	3.2	4.9	54.2	3.2	5.0	59.5	3.3	5.3	59.5	3.3	5.3			
	80	23.2	1.8	3.8	29.8	2.2	4.0	34.1	2.4	4.2	36.0	2.5	4.3	41.8	2.7	4.5	47.2	2.9	4.8	50.7	3.0	5.1	52.2	3.0	5.2	56.9	3.0	5.5	56.9	3.0	5.5			
1500	60	26.0	2.4	3.2	32.2	2.7	3.5	36.5	2.9	3.7	38.4	3.0	3.8	44.6	3.2	4.1	50.8	3.4	4.4	55.1	3.5	4.6	57.0	3.6	4.6	63.2	3.8	4.9	63.2	3.8	4.9			
	70	25.0	2.2	3.4	31.3	2.4	3.8	35.6	2.6	4.0	37.4	2.6	4.1	43.4	2.9	4.5	49.3	3.1	4.7	53.4	3.2	4.9	55.2	3.2	5.0	60.9	3.4	5.2	60.9	3.4	5.2			
	80	24.1	2.0	3.6	30.3	2.2	4.1	34.6	2.3	4.4	36.4	2.4	4.5	42.2	2.6	4.8	47.9	2.7	5.1	51.7	2.9	5.3	53.3	2.9	5.3	58.6	3.2	5.4	58.6	3.2	5.4			

T.C.. = Total Capacity COP = Coefficient of Performance kW= Kilo Watts

HEATING EXPANDED RATINGS WITH AIR HANDLER (CONTINUED)

5 Ton Split Heat Pump with Air Handler First Stage (Low Speed H1) Heating Matched with B6VMAX60K-C Air Handler

Blower cfm	Outdoor Temperature:		0°F			10°			17°			20°			30°			40°			47°			50°			60°		
		Indoor Tdb	T.C.	COP	kW	T.C.	COP	kW	T.C.	COP	kW	T.C.	COP	kW	T.C.	COP	kW	T.C.	COP	kW	T.C.	COP	kW	T.C.	COP	kW	T.C.	COP	kW
850		60	6.4	2.5	0.7	7.8	2.9	0.8	8.8	3.2	0.8	9.3	3.4	0.8	10.9	3.9	0.8	12.6	4.4	0.8	13.9	4.8	0.8	14.4	5.0	0.8	16.4	5.6	0.8
		70	6.0	2.2	0.8	7.2	2.5	0.8	8.2	2.7	0.9	8.6	2.8	0.9	10.1	3.2	0.9	11.7	3.6	0.9	12.9	4.0	1.0	13.5	4.1	1.0	15.4	4.6	1.0
		80	5.6	1.9	0.9	6.7	2.1	0.9	7.5	2.3	1.0	7.9	2.4	1.0	9.3	2.7	1.0	10.8	3.0	1.0	12.0	3.3	1.1	12.5	3.4	1.1	14.3	3.9	1.1
1000		60	6.8	2.5	0.8	8.0	2.9	0.8	8.9	3.2	0.8	9.4	3.3	0.8	10.9	3.8	0.8	12.6	4.3	0.9	13.9	4.8	0.9	14.5	5.0	0.9	16.6	5.7	0.9
		70	6.4	2.2	0.9	7.5	2.5	0.9	8.4	2.7	0.9	8.8	2.8	0.9	10.2	3.2	0.9	11.9	3.6	1.0	13.1	4.0	1.0	13.7	4.1	1.0	15.7	4.7	1.0
		80	6.0	1.9	0.9	7.0	2.2	1.0	7.8	2.3	1.0	8.2	2.4	1.0	9.6	2.7	1.0	11.1	3.1	1.1	12.3	3.3	1.1	12.8	3.5	1.1	14.7	3.9	1.1
1150		60	7.2	2.6	0.8	8.2	2.8	0.8	9.1	3.1	0.9	9.5	3.2	0.9	10.9	3.7	0.9	12.7	4.3	0.9	14.0	4.7	0.9	14.7	4.9	0.9	16.9	5.7	0.9
		70	6.8	2.2	0.9	7.8	2.5	0.9	8.6	2.7	0.9	9.0	2.8	0.9	10.4	3.2	1.0	12.1	3.6	1.0	13.3	4.0	1.0	13.9	4.1	1.0	16.0	4.7	1.0
		80	6.4	1.9	1.0	7.4	2.2	1.0	8.2	2.4	1.0	8.6	2.4	1.0	9.9	2.8	1.1	11.5	3.1	1.1	12.7	3.4	1.1	13.2	3.5	1.1	15.1	3.9	1.1

5 Ton Second Stage (Nominal High Speed H4) Heating

Matched with B6VMAX60K-C Air Handler

Blower cfm	Outdoor Temperature:		0°F			10°			17°			20°			30°			40°			47°			50°			60°		
		Indoor Tdb	T.C.	COP	kW	T.C.	COP	kW	T.C.	COP	kW	T.C.	COP	kW	T.C.	COP	kW	T.C.	COP	kW	T.C.	COP	kW	T.C.	COP	kW	T.C.	COP	kW
1350		60	20.1	2.3	2.6	27.2	2.6	3.1	32.3	2.8	3.4	34.6	2.9	3.5	42.3	3.2	3.9	50.4	3.4	4.3	56.3	3.6	4.5	58.9	3.7	4.6	67.7	4.0	5.0
		70	19.2	2.2	2.5	26.3	2.4	3.2	31.5	2.5	3.6	33.7	2.6	3.8	41.5	2.8	4.4	49.6	3.0	4.9	55.5	3.1	5.2	58.0	3.2	5.4	66.8	3.4	5.8
		80	18.2	1.8	2.9	25.1	2.1	3.5	30.2	2.3	3.9	32.5	2.3	4.1	40.3	2.6	4.6	48.4	2.8	5.0	54.3	3.0	5.3	56.8	3.1	5.4	65.4	3.3	5.8
1500		60	20.7	2.3	2.6	27.8	2.6	3.1	33.0	2.8	3.4	35.3	2.9	3.6	43.0	3.2	3.9	51.1	3.5	4.3	57.0	3.7	4.5	59.6	3.8	4.6	68.5	4.1	4.9
		70	19.8	2.2	2.6	26.8	2.4	3.3	32.0	2.6	3.7	34.3	2.6	3.8	42.0	2.8	4.4	50.1	3.0	4.9	56.0	3.2	5.2	58.6	3.2	5.3	67.4	3.4	5.7
		80	18.9	1.9	3.0	25.9	2.1	3.6	31.1	2.3	4.0	33.3	2.4	4.1	41.1	2.6	4.6	49.2	2.9	5.0	55.1	3.1	5.3	57.6	3.1	5.4	66.3	3.4	5.8
1650		60	21.7	2.4	2.7	28.9	2.7	3.2	34.1	2.9	3.5	36.3	3.0	3.6	44.0	3.3	3.9	52.1	3.6	4.3	58.0	3.8	4.5	60.6	3.9	4.6	69.7	4.2	4.9
		70	20.3	2.2	2.7	27.4	2.4	3.3	32.5	2.6	3.7	34.8	2.6	3.9	42.6	2.9	4.4	50.7	3.1	4.8	56.5	3.2	5.1	59.1	3.3	5.2	67.9	3.5	5.7
		80	19.1	1.8	3.0	26.2	2.1	3.7	31.3	2.3	4.0	33.6	2.4	4.2	41.3	2.6	4.6	49.4	2.9	5.0	55.3	3.1	5.2	57.9	3.2	5.3	66.6	3.4	5.7

5 Ton Second Stage (Boost Speed H5) Heating

Matched with B6VMAX60K-C Air Handler

Blower cfm	Outdoor Temperature:		0°F			10°			17°			20°			30°			40°			47°			50°			60°		
		Indoor Tdb	T.C.	COP	kW	T.C.	COP	kW	T.C.	COP	kW	T.C.	COP	kW	T.C.	COP	kW	T.C.	COP	kW	T.C.	COP	kW	T.C.	COP	kW	T.C.	COP	kW
1350		60	31.5	2.5	3.7	35.7	2.6	4.0	39.0	2.7	4.3	40.5	2.7	4.4	46.0	2.9	4.7	53.9	3.1	5.1	60.1	3.3	5.3	62.9	3.4	5.5	72.5	3.6	5.9
		70	30.0	2.2	4.0	34.9	2.4	4.3	38.6	2.5	4.6	40.2	2.5	4.7	46.0	2.7	5.1	53.9	2.9	5.5	60.0	3.1	5.8	62.6	3.1	5.9	71.8	3.3	6.3
		80	28.6	2.0	4.3	34.1	2.2	4.6	38.2	2.3	4.9	39.9	2.3	5.0	45.9	2.5	5.4	53.9	2.7	5.9	59.8	2.8	6.2	62.4	2.9	6.3	71.1	3.1	6.8
1500		60	32.9	2.5	3.8	37.0	2.7	4.1	40.3	2.8	4.3	41.8	2.8	4.4	47.2	2.9	4.7	55.1	3.2	5.0	61.2	3.4	5.3	63.9	3.5	5.4	73.4	3.7	5.8
		70	31.1	2.2	4.1	35.9	2.4	4.4	39.5	2.5	4.6	41.1	2.5	4.7	46.8	2.7	5.1	54.8	3.0	5.4	60.8	3.1	5.7	63.5	3.2	5.8	72.7	3.4	6.2
		80	29.2	2.0	4.4	34.7	2.2	4.7	38.7	2.3	5.0	40.5	2.3	5.1	46.5	2.5	5.4	54.5	2.7	5.8	60.5	2.9	6.1	63.1	3.0	6.2	72.0	3.2	6.6
1650		60	34.3	2.6	3.9	38.4	2.7	4.1	41.6	2.8	4.3	43.1	2.9	4.4	48.4	3.0	4.7	56.2	3.3	5.0	62.3	3.5	5.2	65.0	3.6	5.3	74.4	3.8	5.7
		70	32.1	2.3	4.2	36.8	2.4	4.5	40.4	2.5	4.7	42.0	2.6	4.8	47.7	2.8	5.1	55.7	3.0	5.4	61.7	3.2	5.6	64.4	3.3	5.7	73.7	3.5	6.1
		80	29.8	2.0	4.5	35.3	2.2	4.8	39.2	2.3	5.0	41.0	2.3	5.1	47.0	2.5	5.5	55.1	2.8	5.8	61.2	3.0	6.0	63.8	3.0	6.2	72.9	3.3	6.5

T.C. = Total Capacity COP = Coefficient of Performance kW= Kilo Watts

HEATING EXPANDED RATINGS WITH COILS

First Stage (Low Speed H1) Heating

FT4BG024 or PSH4BG024 Heat Pump matched with C6BH-X26C-B or C6BA-F42(C,U)-B+TXV-X2.0 Coil

Outdoor Temperature:			0°F			10°			17°			20°			30°			40°			47°			50°			60°		
Blower cfm		Indoor Tdb	T.C.	COP	kW	T.C.	COP	kW	T.C.	COP	kW	T.C.	COP	kW	T.C.	COP	kW	T.C.	COP	kW	T.C.	COP	kW	T.C.	COP	kW	T.C.	COP	kW
450		60	4.5	2.3	0.6	5.6	2.7	0.6	6.4	3.0	0.6	6.7	3.2	0.6	8.0	3.7	0.6	9.4	4.3	0.6	10.4	4.7	0.6	10.9	4.9	0.6	12.4	5.6	0.7
		70	4.1	1.9	0.6	5.2	2.3	0.7	6.0	2.6	0.7	6.3	2.7	0.7	7.6	3.1	0.7	8.9	3.6	0.7	9.9	3.9	0.7	10.3	4.1	0.7	11.9	4.6	0.8
		80	3.7	1.6	0.7	4.8	1.9	0.7	5.5	2.2	0.7	5.9	2.3	0.8	7.1	2.7	0.8	8.4	3.0	0.8	9.4	3.3	0.8	9.8	3.5	0.8	11.4	3.9	0.9
550		60	4.6	2.3	0.6	5.7	2.8	0.6	6.6	3.1	0.6	6.9	3.3	0.6	8.3	3.9	0.6	9.7	4.5	0.6	10.8	5.0	0.6	11.3	5.3	0.6	13.0	6.1	0.6
		70	4.3	2.0	0.6	5.4	2.4	0.7	6.2	2.7	0.7	6.5	2.8	0.7	7.8	3.3	0.7	9.2	3.8	0.7	10.3	4.2	0.7	10.8	4.4	0.7	12.4	5.0	0.7
		80	4.0	1.7	0.7	5.0	2.0	0.7	5.7	2.3	0.7	6.1	2.4	0.8	7.3	2.8	0.8	8.7	3.2	0.8	9.8	3.5	0.8	10.2	3.7	0.8	11.9	4.2	0.8
650		60	4.8	2.4	0.6	5.9	2.9	0.6	6.8	3.2	0.6	7.2	3.4	0.6	8.5	4.0	0.6	10.1	4.8	0.6	11.2	5.4	0.6	11.7	5.6	0.6	13.5	6.7	0.6
		70	4.5	2.1	0.6	5.6	2.5	0.7	6.4	2.8	0.7	6.7	2.9	0.7	8.1	3.4	0.7	9.5	4.0	0.7	10.7	4.4	0.7	11.2	4.7	0.7	13.0	5.5	0.7
		80	4.3	1.8	0.7	5.2	2.1	0.7	6.0	2.4	0.7	6.3	2.5	0.7	7.6	2.9	0.8	9.0	3.4	0.8	10.1	3.7	0.8	10.6	3.9	0.8	12.4	4.6	0.8

Second Stage (Nominal High Speed H4) Heating

FT4BG024 or PSH4BG024 Heat Pump matched with C6BH-X26C-B or C6BA-F42(C,U)-B+TXV-X2.0 Coil

Outdoor Temperature:			0°F			10°			17°			20°			30°			40°			47°			50°			60°		
Blower cfm		Indoor Tdb	T.C.	COP	kW	T.C.	COP	kW	T.C.	COP	kW	T.C.	COP	kW	T.C.	COP	kW	T.C.	COP	kW	T.C.	COP	kW	T.C.	COP	kW	T.C.	COP	kW
700		60	10.1	2.2	1.4	12.4	2.6	1.4	14.1	2.8	1.4	14.8	3.0	1.5	17.3	3.3	1.5	20.0	3.7	1.6	22.0	4.0	1.6	22.8	4.1	1.6	25.8	4.5	1.7
		70	9.8	2.0	1.5	12.0	2.3	1.5	13.6	2.5	1.6	14.3	2.6	1.6	16.8	2.9	1.7	19.4	3.3	1.7	21.3	3.5	1.8	22.1	3.6	1.8	25.0	3.9	1.9
		80	9.5	1.8	1.5	11.6	2.1	1.6	13.2	2.3	1.7	13.9	2.3	1.7	16.2	2.6	1.8	18.7	2.9	1.9	20.6	3.0	2.0	21.4	3.1	2.0	24.1	3.4	2.1
800		60	10.6	2.3	1.4	13.0	2.7	1.4	14.8	3.0	1.4	15.6	3.1	1.5	18.3	3.5	1.5	21.1	4.0	1.6	23.2	4.3	1.6	24.1	4.4	1.6	27.3	4.9	1.6
		70	9.9	2.0	1.5	12.3	2.3	1.5	14.1	2.6	1.6	14.8	2.7	1.6	17.4	3.1	1.7	20.2	3.4	1.7	22.2	3.7	1.8	23.1	3.8	1.8	26.1	4.2	1.8
		80	9.7	1.8	1.6	11.9	2.1	1.6	13.5	2.3	1.7	14.2	2.4	1.7	16.6	2.7	1.8	19.2	3.0	1.9	21.1	3.2	2.0	21.9	3.3	2.0	24.8	3.5	2.0
900		60	10.8	2.3	1.4	13.3	2.7	1.4	15.1	3.1	1.4	15.9	3.2	1.5	18.7	3.6	1.5	21.6	4.1	1.5	23.7	4.5	1.6	24.6	4.6	1.6	27.9	5.1	1.6
		70	10.5	2.1	1.5	12.9	2.5	1.5	14.6	2.7	1.6	15.4	2.8	1.6	18.1	3.2	1.7	20.9	3.6	1.7	23.0	3.9	1.7	23.9	4.0	1.8	27.1	4.4	1.8
		80	9.9	1.8	1.6	12.1	2.1	1.7	13.8	2.4	1.7	14.5	2.5	1.7	17.0	2.8	1.8	19.7	3.1	1.9	21.6	3.3	1.9	22.5	3.4	1.9	25.4	3.7	2.0

Second Stage (Boost Speed H5) Heating

FT4BG024 or PSH4BG024 Heat Pump matched with C6BH-X26C-B or C6BA-F42(C,U)-B+TXV-X2.0 Coil

Outdoor Temperature:			0°F			10°			17°			20°			30°			40°			47°			50°			60°		
Blower cfm		Indoor Tdb	T.C.	COP	kW	T.C.	COP	kW	T.C.	COP	kW	T.C.	COP	kW	T.C.	COP	kW	T.C.	COP	kW	T.C.	COP	kW	T.C.	COP	kW	T.C.	COP	kW
700		60	11.4	2.0	1.6	14.1	2.4	1.7	16.1	2.6	1.8	17.0	2.7	1.8	19.9	3.0	1.9	22.9	3.3	2.0	25.0	3.6	2.1	26.0	3.6	2.1	29.2	3.9	2.2
		70	11.1	1.8	1.8	13.7	2.1	1.9	15.6	2.3	2.0	16.4	2.4	2.0	19.2	2.7	2.1	22.1	3.0	2.2	24.2	3.1	2.3	25.1	3.2	2.3	28.2	3.4	2.4
		80	10.7	1.7	1.9	13.2	1.9	2.0	15.1	2.1	2.1	15.9	2.2	2.1	18.6	2.4	2.3	21.4	2.6	2.4	23.4	2.8	2.5	24.3	2.8	2.5	27.2	3.0	2.6
800		60	11.7	2.1	1.7	14.4	2.4	1.7	16.4	2.7	1.8	17.3	2.8	1.8	20.3	3.1	1.9	23.4	3.5	2.0	25.6	3.7	2.0	26.6	3.8	2.0	29.9	4.2	2.1
		70	11.5	1.9	1.8	14.1	2.2	1.9	16.0	2.4	1.9	16.8	2.5	2.0	19.7	2.8	2.1	22.7	3.1	2.2	24.8	3.3	2.2	25.8	3.4	2.2	29.1	3.7	2.3
		80	11.3	1.7	1.9	13.7	2.0	2.0	15.5	2.2	2.1	16.3	2.2	2.1	19.0	2.5	2.2	21.9	2.7	2.4	24.1	2.9	2.4	25.0	3.0	2.5	28.3	3.2	2.6
900		60	11.9	2.1	1.7	14.7	2.5	1.7	16.7	2.8	1.8	17.6	2.9	1.8	20.7	3.2	1.9	23.9	3.6	1.9	26.2	3.9	2.0	27.2	4.0	2.0	30.6	4.4	2.0
		70	11.9	1.9	1.8	14.4	2.2	1.9	16.3	2.5	1.9	17.2	2.6	2.0	20.1	2.9	2.0	23.2	3.2	2.1	25.5	3.5	2.2	26.5	3.6	2.2	30.0	3.9	2.3
		80	11.9	1.8	2.0	14.2	2.0	2.0	15.9	2.2	2.1	16.7	2.3	2.1	19.5	2.6	2.2	22.5	2.9	2.3	24.8	3.1	2.4	25.8	3.2	2.4	29.3	3.5	2.5

HEATING EXPANDED RATINGS WITH COILS (CONTINUED)

First Stage (Low Speed H1) Heating

FT4BG036 or PSH4BG036 Heat Pump matched with C6BH-X36C-C or C6BA-F48(C,U)-C+TXV-X3.0 Coil

Outdoor Temperature:			0°F			10°			17°			20°			30°			40°			47°			50°			60°		
Blower cfm		Indoor Tdb	T.C.	COP	kW	T.C.	COP	kW	T.C.	COP	kW	T.C.	COP	kW	T.C.	COP	kW	T.C.	COP	kW	T.C.	COP	kW	T.C.	COP	kW	T.C.	COP	kW
700		60	7.4	2.6	0.8	9.1	3.1	0.9	10.4	3.4	0.9	11.0	3.6	0.9	13.0	4.1	0.9	15.3	4.8	0.9	16.9	5.2	0.9	17.7	5.5	1.0	20.3	6.2	1.0
		70	6.5	2.1	0.9	8.4	2.6	1.0	9.8	2.9	1.0	10.4	3.1	1.0	12.5	3.6	1.0	14.7	4.1	1.1	16.3	4.5	1.1	16.9	4.6	1.1	19.2	5.2	1.1
		80	6.3	1.9	1.0	8.1	2.3	1.0	9.3	2.5	1.1	9.9	2.6	1.1	11.9	3.0	1.1	14.0	3.5	1.2	15.6	3.8	1.2	16.2	3.9	1.2	18.6	4.4	1.2
800		60	7.5	2.6	0.8	9.2	3.1	0.9	10.6	3.4	0.9	11.1	3.6	0.9	13.2	4.2	0.9	15.5	4.9	0.9	17.2	5.4	0.9	18.0	5.6	0.9	20.6	6.5	0.9
		70	6.7	2.1	0.9	8.6	2.6	1.0	10.0	2.9	1.0	10.6	3.1	1.0	12.7	3.6	1.0	14.9	4.1	1.1	16.5	4.6	1.1	17.3	4.8	1.1	19.7	5.4	1.1
		80	6.5	1.9	1.0	8.3	2.3	1.1	9.6	2.6	1.1	10.1	2.7	1.1	12.1	3.1	1.1	14.3	3.6	1.2	15.9	3.9	1.2	16.6	4.0	1.2	19.0	4.6	1.2
900		60	7.7	2.6	0.9	9.4	3.1	0.9	10.7	3.5	0.9	11.3	3.6	0.9	13.5	4.3	0.9	15.8	4.9	0.9	17.5	5.5	0.9	18.3	5.8	0.9	21.0	6.7	0.9
		70	7.1	2.2	0.9	8.9	2.7	1.0	10.2	3.0	1.0	10.8	3.1	1.0	12.9	3.6	1.0	15.1	4.2	1.1	16.8	4.6	1.1	17.5	4.8	1.1	20.1	5.6	1.1
		80	6.7	1.9	1.0	8.5	2.3	1.1	9.8	2.6	1.1	10.3	2.7	1.1	12.4	3.2	1.1	14.6	3.6	1.2	16.2	4.0	1.2	17.0	4.2	1.2	19.5	4.8	1.2

Second Stage (Nominal High Speed H4) Heating

FT4BG036 or PSH4BG036 Heat Pump matched with C6BH-X36C-C or C6BA-F48(C,U)-C+TXV-X3.0 Coil

Outdoor Temperature:			0°F			10°			17°			20°			30°			40°			47°			50°			60°		
Blower cfm		Indoor Tdb	T.C.	COP	kW	T.C.	COP	kW	T.C.	COP	kW	T.C.	COP	kW	T.C.	COP	kW	T.C.	COP	kW	T.C.	COP	kW	T.C.	COP	kW	T.C.	COP	kW
1050		60	17.5	2.5	2.0	19.6	2.7	2.1	21.6	2.9	2.2	22.5	2.9	2.2	26.1	3.3	2.3	30.2	3.6	2.4	33.4	3.9	2.5	34.8	4.1	2.5	40.0	4.5	2.6
		70	16.2	2.2	2.2	18.8	2.4	2.3	20.9	2.6	2.4	21.8	2.6	2.4	25.4	2.9	2.5	29.4	3.2	2.7	32.5	3.5	2.7	33.9	3.6	2.8	38.9	4.0	2.9
		80	14.8	1.9	2.3	18.0	2.1	2.5	20.4	2.3	2.6	21.5	2.4	2.6	25.2	2.7	2.8	29.1	2.9	2.9	32.0	3.1	3.0	33.3	3.2	3.0	37.7	3.5	3.2
1200		60	17.9	2.5	2.1	20.5	2.7	2.2	22.6	2.9	2.3	23.6	3.0	2.3	27.4	3.4	2.4	31.8	3.8	2.4	35.3	4.2	2.5	36.8	4.3	2.5	42.4	4.8	2.6
		70	16.2	2.2	2.2	19.2	2.4	2.3	21.8	2.6	2.4	22.7	2.7	2.5	26.6	3.0	2.6	30.9	3.4	2.7	34.2	3.7	2.7	35.7	3.8	2.8	40.9	4.2	2.8
		80	15.2	1.9	2.4	18.4	2.1	2.5	20.8	2.3	2.6	21.8	2.4	2.7	25.6	2.7	2.8	29.6	3.0	2.9	32.6	3.2	3.0	33.9	3.3	3.0	38.5	3.6	3.1
1350		60	18.3	2.5	2.1	20.8	2.7	2.2	22.9	2.9	2.3	23.9	3.0	2.3	27.7	3.4	2.4	32.2	3.8	2.5	35.8	4.2	2.5	37.4	4.4	2.5	43.2	5.0	2.6
		70	16.9	2.2	2.3	19.9	2.4	2.4	22.3	2.6	2.5	23.4	2.7	2.5	27.4	3.1	2.6	31.8	3.5	2.7	35.2	3.8	2.7	36.7	3.9	2.8	42.0	4.3	2.8
		80	15.7	1.9	2.4	18.8	2.1	2.6	21.2	2.3	2.7	22.2	2.4	2.7	26.0	2.7	2.8	30.0	3.0	2.9	33.1	3.2	3.0	34.4	3.3	3.0	39.2	3.7	3.1

Second Stage (Boost Speed H5) Heating

FT4BG036 or PSH4BG036 Heat Pump matched with C6BH-X36C-C or C6BA-F48(C,U)-C+TXV-X3.0 Coil

Outdoor Temperature:			0°F			10°			17°			20°			30°			40°			47°			50°			60°		
Blower cfm		Indoor Tdb	T.C.	COP	kW	T.C.	COP	kW	T.C.	COP	kW	T.C.	COP	kW	T.C.	COP	kW	T.C.	COP	kW	T.C.	COP	kW	T.C.	COP	kW	T.C.	COP	kW
1050		60	19.6	2.4	2.4	21.4	2.5	2.5	24.5	2.8	2.6	25.9	2.9	2.6	30.4	3.2	2.7	34.9	3.6	2.9	38.1	3.8	3.0	39.5	3.9	3.0	44.1	4.1	3.1
		70	18.2	2.1	2.5	21.1	2.3	2.7	23.4	2.5	2.8	24.5	2.6	2.8	28.5	2.8	3.0	32.9	3.1	3.1	36.3	3.3	3.2	37.9	3.4	3.3	43.3	3.7	3.4
		80	17.2	1.9	2.7	20.5	2.1	2.9	22.9	2.2	3.0	24.0	2.3	3.0	27.9	2.5	3.2	32.2	2.8	3.4	35.5	2.9	3.5	36.9	3.0	3.6	42.0	3.3	3.8
1200		60	20.1	2.4	2.4	22.0	2.5	2.5	25.1	2.8	2.6	26.4	2.9	2.6	30.9	3.3	2.8	35.5	3.6	2.9	38.8	3.9	2.9	40.2	4.0	3.0	45.0	4.3	3.1
		70	18.8	2.2	2.5	21.7	2.4	2.7	24.0	2.5	2.8	25.1	2.6	2.8	29.0	2.9	3.0	33.5	3.2	3.1	36.9	3.4	3.2	38.5	3.5	3.2	43.9	3.8	3.3
		80	17.5	1.9	2.7	20.8	2.1	2.9	23.4	2.3	3.0	24.5	2.3	3.1	28.5	2.6	3.2	32.9	2.8	3.4	36.2	3.0	3.5	37.7	3.1	3.6	42.9	3.4	3.7
1350		60	20.4	2.4	2.5	22.6	2.6	2.6	25.7	2.8	2.6	27.0	3.0	2.7	31.4	3.3	2.8	36.1	3.7	2.9	39.4	4.0	2.9	40.9	4.1	2.9	45.8	4.4	3.0
		70	19.1	2.2	2.6	21.9	2.3	2.7	24.4	2.5	2.8	25.5	2.6	2.9	29.6	2.9	3.0	34.1	3.2	3.1	37.6	3.4	3.2	39.2	3.5	3.2	44.7	3.9	3.4
		80	17.7	1.9	2.8	21.2	2.1	2.9	23.8	2.3	3.0	25.0	2.4	3.1	29.2	2.6	3.2	33.7	2.9	3.4	37.0	3.1	3.5	38.5	3.2	3.5	43.7	3.5	3.7

HEATING EXPANDED RATINGS WITH COILS (CONTINUED)

First Stage (Low Speed H1) Heating

FT4BG048 or PSH4BG048 Heat Pump matched with C6BH-X48C-C or C6BA-F60(C,U)-C+TXV-X4.0 Coil

Outdoor Temperature:			0°F			10°			17°			20°			30°			40°			47°			50°			60°		
Blower cfm		Indoor Tdb	T.C.	COP	kW	T.C.	COP	kW	T.C.	COP	kW	T.C.	COP	kW	T.C.	COP	kW	T.C.	COP	kW	T.C.	COP	kW	T.C.	COP	kW	T.C.	COP	kW
750		60	7.8	2.7	0.8	9.3	3.0	0.9	10.4	3.3	0.9	10.9	3.4	0.9	12.6	3.8	1.0	14.5	4.3	1.0	15.9	4.6	1.0	16.6	4.7	1.0	18.8	5.3	1.0
		70	6.7	2.2	0.9	8.3	2.5	1.0	9.5	2.8	1.0	10.0	2.9	1.0	11.8	3.2	1.1	13.7	3.6	1.1	15.1	3.8	1.2	15.8	4.0	1.2	17.9	4.4	1.2
		80	5.6	1.7	1.0	7.4	2.1	1.0	8.6	2.3	1.1	9.2	2.4	1.1	11.0	2.7	1.2	13.0	3.0	1.3	14.3	3.3	1.3	15.0	3.4	1.3	17.0	3.7	1.4
900		60	8.0	2.7	0.9	9.4	3.0	0.9	10.5	3.3	0.9	11.0	3.4	0.9	12.8	3.9	1.0	14.8	4.4	1.0	16.3	4.8	1.0	17.0	4.9	1.0	19.4	5.6	1.0
		70	7.0	2.2	0.9	8.6	2.6	1.0	9.8	2.8	1.0	10.3	2.9	1.0	12.1	3.3	1.1	14.1	3.7	1.1	15.6	4.0	1.1	16.2	4.1	1.1	18.5	4.6	1.2
		80	6.1	1.8	1.0	7.8	2.1	1.1	9.0	2.4	1.1	9.6	2.5	1.1	11.4	2.8	1.2	13.4	3.1	1.2	14.8	3.4	1.3	15.4	3.5	1.3	17.6	3.9	1.3
1050		60	8.2	2.7	0.9	9.6	3.0	0.9	10.7	3.3	0.9	11.2	3.4	1.0	13.0	3.9	1.0	15.1	4.5	1.0	16.7	4.9	1.0	17.4	5.1	1.0	20.0	5.9	1.0
		70	7.4	2.3	1.0	8.9	2.6	1.0	10.0	2.8	1.0	10.6	2.9	1.1	12.4	3.4	1.1	14.5	3.8	1.1	16.0	4.1	1.1	16.7	4.3	1.1	19.1	4.9	1.1
		80	6.6	1.9	1.0	8.2	2.2	1.1	9.4	2.4	1.1	10.0	2.5	1.2	11.8	2.9	1.2	13.8	3.3	1.2	15.3	3.5	1.3	15.9	3.7	1.3	18.1	4.1	1.3

Second Stage (Nominal High Speed H4) Heating

FT4BG048 or PSH4BG048 Heat Pump matched with C6BH-X48C-C or C6BA-F60(C,U)-C+TXV-X4.0 Coil

Outdoor Temperature:			0°F			10°			17°			20°			30°			40°			47°			50°			60°		
Blower cfm		Indoor Tdb	T.C.	COP	kW	T.C.	COP	kW	T.C.	COP	kW	T.C.	COP	kW	T.C.	COP	kW	T.C.	COP	kW	T.C.	COP	kW	T.C.	COP	kW	T.C.	COP	kW
1200		60	19.9	2.2	2.6	24.6	2.6	2.8	28.1	2.8	3.0	29.7	2.9	3.0	35.0	3.2	3.2	40.6	3.4	3.5	44.7	3.6	3.6	46.5	3.7	3.7	52.6	3.9	3.9
		70	18.9	2.0	2.8	23.7	2.3	3.0	27.2	2.5	3.2	28.8	2.6	3.3	34.1	2.9	3.5	39.6	3.1	3.7	43.6	3.3	3.9	45.4	3.3	4.0	51.4	3.5	4.3
		80	18.0	1.7	3.0	22.8	2.1	3.3	26.4	2.3	3.4	27.9	2.3	3.5	33.2	2.6	3.8	38.6	2.8	4.0	42.6	3.0	4.2	44.3	3.0	4.3	50.2	3.2	4.6
1350		60	20.4	2.3	2.6	25.1	2.6	2.8	28.6	2.8	3.0	30.1	2.9	3.0	35.5	3.2	3.2	41.1	3.5	3.4	45.3	3.7	3.6	47.1	3.8	3.6	53.4	4.1	3.9
		70	19.3	2.0	2.8	24.2	2.3	3.1	28.0	2.6	3.2	29.2	2.6	3.3	34.6	2.9	3.5	40.2	3.2	3.7	44.2	3.3	3.9	46.0	3.4	4.0	52.0	3.6	4.2
		80	18.4	1.8	3.1	23.3	2.1	3.3	26.9	2.3	3.5	28.4	2.4	3.5	33.7	2.6	3.8	39.2	2.9	4.0	43.2	3.0	4.2	44.9	3.1	4.3	50.8	3.3	4.5
1500		60	20.9	2.3	2.7	25.6	2.6	2.9	29.1	2.8	3.0	30.6	2.9	3.0	36.0	3.3	3.2	41.7	3.6	3.4	45.9	3.8	3.5	47.7	3.9	3.6	54.1	4.2	3.8
		70	19.8	2.0	2.9	24.7	2.3	3.1	28.2	2.6	3.2	29.8	2.6	3.3	35.2	2.9	3.5	40.8	3.2	3.7	44.8	3.4	3.9	46.6	3.5	3.9	52.7	3.7	4.1
		80	18.8	1.8	3.1	23.8	2.1	3.3	27.4	2.3	3.5	29.0	2.4	3.5	34.3	2.7	3.8	39.8	2.9	4.0	43.8	3.1	4.2	45.5	3.2	4.2	51.4	3.4	4.5

Second Stage (Boost Speed H5) Heating

FT4BG048 or PSH4BG048 Heat Pump matched with C6BH-X48C-C or C6BA-F60(C,U)-C+TXV-X4.0 Coil

Outdoor Temperature:			0°F			10°			17°			20°			30°			40°			47°			50°			60°		
Blower cfm		Indoor Tdb	T.C.	COP	kW	T.C.	COP	kW	T.C.	COP	kW	T.C.	COP	kW	T.C.	COP	kW	T.C.	COP	kW	T.C.	COP	kW	T.C.	COP	kW	T.C.	COP	kW
1200		60	25.4	2.3	3.2	31.4	2.6	3.6	35.7	2.8	3.8	37.5	2.8	3.9	43.5	3.0	4.2	49.5	3.2	4.6	53.7	3.3	4.8	55.5	3.3	4.9	61.5	3.4	5.3
		70	24.0	1.9	3.7	30.4	2.3	3.8	34.8	2.6	3.9	36.6	2.7	4.0	42.5	2.9	4.3	48.1	3.1	4.6	51.8	3.1	4.9	53.4	3.1	5.0	58.4	3.1	5.5
		80	22.6	1.5	4.2	29.4	2.2	4.0	33.9	2.5	4.1	35.8	2.6	4.1	41.5	2.9	4.3	46.7	3.1	4.6	50.0	3.1	4.9	51.3	3.0	5.1	55.3	2.8	5.7
1350		60	25.8	2.3	3.3	31.9	2.6	3.6	36.2	2.8	3.8	38.0	2.9	3.9	44.1	3.1	4.2	50.3	3.3	4.5	54.5	3.4	4.7	56.4	3.4	4.8	62.5	3.6	5.1
		70	24.6	2.0	3.6	31.0	2.4	3.8	35.3	2.6	4.0	37.1	2.7	4.1	43.1	2.9	4.4	48.8	3.0	4.7	52.8	3.1	4.9	54.4	3.2	5.0	59.8	3.3	5.4
		80	23.4	1.8	3.9	30.0	2.2	4.1	34.4	2.4	4.2	36.2	2.5	4.3	42.0	2.7	4.6	47.4	2.9	4.9	51.0	3.0	5.1	52.4	3.0	5.2	57.1	3.0	5.6
1500		60	26.2	2.3	3.3	32.4	2.6	3.6	36.8	2.8	3.8	38.6	2.9	3.9	44.8	3.2	4.1	51.0	3.4	4.4	55.4	3.5	4.6	57.2	3.6	4.7	63.4	3.7	5.0
		70	25.3	2.1	3.5	31.5	2.4	3.9	35.8	2.6	4.1	37.6	2.6	4.2	43.6	2.8	4.5	49.6	3.0	4.8	53.7	3.2	5.0	55.4	3.2	5.0	61.1	3.4	5.2
		80	24.1	2.0	3.6	30.3	2.2	4.1	34.6	2.3	4.4	36.4	2.4	4.6	42.2	2.6	4.9	47.9	2.7	5.2	51.7	2.9	5.3	53.3	2.9	5.4	58.6	3.2	5.5

HEATING EXPANDED RATINGS WITH COILS (CONTINUED)

First Stage (Low Speed H1) Heating

FT4BG060 or PSH4BG060 Heat Pump matched with C6BH-X60C-D or C6BA-F60(C,U)-D+TXV-X5.0 Coil

Outdoor Temperature:			0°F			10°			17°			20°			30°			40°			47°			50°			60°		
Blower cfm		Indoor Tdb	T.C.	COP	kW	T.C.	COP	kW	T.C.	COP	kW	T.C.	COP	kW	T.C.	COP	kW	T.C.	COP	kW	T.C.	COP	kW	T.C.	COP	kW	T.C.	COP	kW
850		60	6.4	2.5	0.7	7.8	2.9	0.8	8.8	3.2	0.8	9.3	3.4	0.8	10.9	3.9	0.8	12.6	4.4	0.8	13.9	4.8	0.8	14.4	5.0	0.8	16.4	5.6	0.8
		70	6.0	2.2	0.8	7.2	2.5	0.8	8.2	2.7	0.9	8.6	2.8	0.9	10.1	3.2	0.9	11.7	3.6	0.9	12.9	4.0	1.0	13.5	4.1	1.0	15.4	4.6	1.0
		80	5.6	1.9	0.9	6.7	2.1	0.9	7.5	2.3	1.0	7.9	2.4	1.0	9.3	2.7	1.0	10.8	3.0	1.0	12.0	3.3	1.1	12.5	3.4	1.1	14.3	3.9	1.1
1000		60	6.8	2.5	0.8	8.0	2.9	0.8	8.9	3.2	0.8	9.4	3.3	0.8	10.9	3.8	0.8	12.6	4.3	0.9	13.9	4.8	0.9	14.5	5.0	0.9	16.6	5.7	0.9
		70	6.4	2.2	0.9	7.5	2.5	0.9	8.4	2.7	0.9	8.8	2.8	0.9	10.2	3.2	0.9	11.9	3.6	1.0	13.1	4.0	1.0	13.7	4.1	1.0	15.7	4.7	1.0
		80	6.0	1.9	0.9	7.0	2.2	1.0	7.8	2.3	1.0	8.2	2.4	1.0	9.6	2.7	1.0	11.1	3.1	1.1	12.3	3.3	1.1	12.8	3.5	1.1	14.7	3.9	1.1
1150		60	7.2	2.6	0.8	8.2	2.8	0.8	9.1	3.1	0.9	9.5	3.2	0.9	10.9	3.7	0.9	12.7	4.3	0.9	14.0	4.7	0.9	14.7	4.9	0.9	16.9	5.7	0.9
		70	6.8	2.2	0.9	7.8	2.5	0.9	8.6	2.7	0.9	9.0	2.8	0.9	10.4	3.2	1.0	12.1	3.6	1.0	13.3	4.0	1.0	13.9	4.1	1.0	16.0	4.7	1.0
		80	6.4	1.9	1.0	7.4	2.2	1.0	8.2	2.4	1.0	8.6	2.4	1.0	9.9	2.8	1.1	11.5	3.1	1.1	12.7	3.4	1.1	13.2	3.5	1.1	15.1	3.9	1.1

Second Stage (Nominal High Speed H4) Heating

FT4BG060 or PSH4BG060 Heat Pump matched with C6BH-X60C-D or C6BA-F60(C,U)-D+TXV-X5.0 Coil

Outdoor Temperature:			0°F			10°			17°			20°			30°			40°			47°			50°			60°		
Blower cfm		Indoor Tdb	T.C.	COP	kW	T.C.	COP	kW	T.C.	COP	kW	T.C.	COP	kW	T.C.	COP	kW	T.C.	COP	kW	T.C.	COP	kW	T.C.	COP	kW	T.C.	COP	kW
1350		60	22.0	2.0	3.3	29.3	2.4	3.5	34.4	2.7	3.7	36.6	2.8	3.8	44.0	3.2	4.1	51.3	3.5	4.3	56.4	3.6	4.5	58.6	3.7	4.6	66.0	3.9	4.9
		70	21.2	1.9	3.3	28.5	2.3	3.7	33.7	2.5	4.0	35.9	2.6	4.1	43.2	2.8	4.5	50.5	3.0	4.9	55.7	3.1	5.2	57.9	3.2	5.3	65.2	3.3	5.7
		80	19.8	1.6	3.7	27.2	2.0	4.1	32.3	2.2	4.3	34.5	2.3	4.4	41.8	2.6	4.7	49.2	2.8	5.1	54.3	3.0	5.3	56.5	3.1	5.4	63.8	3.3	5.8
1500		60	22.7	2.0	3.3	30.0	2.5	3.6	35.1	2.7	3.7	37.3	2.9	3.8	44.7	3.2	4.1	52.0	3.5	4.3	57.1	3.7	4.5	59.3	3.8	4.6	66.7	4.0	4.9
		70	21.5	1.9	3.4	28.9	2.3	3.7	34.0	2.5	4.0	36.2	2.6	4.1	43.5	2.8	4.5	50.9	3.0	4.9	56.0	3.2	5.2	58.2	3.2	5.3	65.5	3.4	5.7
		80	20.7	1.6	3.8	28.0	2.0	4.1	33.1	2.2	4.3	35.3	2.3	4.4	42.7	2.6	4.7	50.0	2.9	5.1	55.1	3.1	5.3	57.3	3.1	5.4	64.7	3.3	5.7
1650		60	23.8	2.1	3.4	31.1	2.5	3.6	36.2	2.8	3.8	38.4	2.9	3.8	45.8	3.3	4.1	53.1	3.6	4.3	58.2	3.8	4.5	60.4	3.9	4.6	67.8	4.1	4.8
		70	22.1	1.9	3.4	29.4	2.3	3.8	34.6	2.5	4.0	36.8	2.6	4.2	44.1	2.9	4.5	51.4	3.1	4.9	56.6	3.2	5.1	58.8	3.3	5.2	66.1	3.5	5.6
		80	20.9	1.6	3.9	28.3	2.0	4.2	33.4	2.2	4.4	35.6	2.3	4.5	42.9	2.6	4.8	50.3	2.9	5.0	55.4	3.1	5.2	57.6	3.2	5.3	64.9	3.4	5.6

Second Stage (Boost Speed H5) Heating

FT4BG060 or PSH4BG060 Heat Pump matched with C6BH-X60C-D or C6BA-F60(C,U)-D+TXV-X5.0 Coil

Outdoor Temperature:			0°F			10°			17°			20°			30°			40°			47°			50°			60°		
Blower cfm		Indoor Tdb	T.C.	COP	kW	T.C.	COP	kW	T.C.	COP	kW	T.C.	COP	kW	T.C.	COP	kW	T.C.	COP	kW	T.C.	COP	kW	T.C.	COP	kW	T.C.	COP	kW
1350		60	31.6	2.5	3.8	35.8	2.6	4.1	39.1	2.7	4.3	40.6	2.7	4.4	46.1	2.8	4.7	54.0	3.1	5.1	60.2	3.3	5.4	63.0	3.4	5.5	72.6	3.6	5.9
		70	30.1	2.2	4.0	35.0	2.3	4.4	38.7	2.5	4.6	40.3	2.5	4.7	46.1	2.6	5.1	54.0	2.9	5.5	60.1	3.0	5.8	62.7	3.1	5.9	71.9	3.3	6.3
		80	28.7	2.0	4.3	34.2	2.2	4.7	38.3	2.3	4.9	40.0	2.3	5.1	46.0	2.5	5.5	54.0	2.7	5.9	59.9	2.8	6.2	62.5	2.9	6.3	71.2	3.1	6.8
1500		60	33.0	2.5	3.8	37.1	2.6	4.1	40.4	2.7	4.3	41.9	2.8	4.4	47.3	2.9	4.7	55.2	3.2	5.1	61.3	3.4	5.3	64.0	3.5	5.4	73.6	3.7	5.8
		70	31.2	2.2	4.1	36.0	2.4	4.4	39.6	2.5	4.7	41.2	2.5	4.8	47.0	2.7	5.1	54.9	2.9	5.5	61.0	3.1	5.7	63.6	3.2	5.8	72.8	3.4	6.2
		80	29.3	2.0	4.4	34.8	2.2	4.7	38.8	2.3	5.0	40.6	2.3	5.1	46.6	2.5	5.5	54.6	2.7	5.9	60.6	2.9	6.1	63.2	3.0	6.3	72.1	3.2	6.7
1650		60	34.4	2.6	3.9	38.5	2.7	4.1	41.7	2.8	4.3	43.2	2.9	4.4	48.5	3.0	4.7	56.3	3.3	5.0	62.4	3.5	5.3	65.1	3.5	5.4	74.5	3.8	5.7
		70	32.2	2.2	4.2	36.9	2.4	4.5	40.5	2.5	4.7	42.1	2.6	4.8	47.8	2.7	5.1	55.8	3.0	5.4	61.8	3.2	5.7	64.5	3.3	5.8	73.8	3.5	6.1
		80	29.9	2.0	4.5	35.4	2.1	4.8	39.3	2.3	5.1	41.1	2.3	5.2	47.1	2.5	5.5	55.2	2.8	5.8	61.3	3.0	6.1	64.0	3.0	6.2	73.0	3.3	6.5



GENERAL TERMS OF LIMITED WARRANTY

NORDYNE will furnish a replacement for any part of this product which fails in normal use and service within the first ten years of installation, in accordance with the terms of the warranty.

For complete details of the Limited Warranty, including applicable terms and conditions, see your local installer or contact the NORDYNE warranty department for a copy.

NORDYNE
 COMPLETE COMFORT. GENUINE VALUE. 8000 Phoenix Parkway | O'Fallon, MO 63368-3827

Specifications and illustrations subject to change without notice and without incurring obligations. Printed in U.S.A (01/2013)

931D-0113 (Replaces 931D-1012)

www.broanhvac.net

© NORDYNE. All Rights Reserved.