

FS4BF-K(B,C) Series

R-410A Extra High Efficiency Air Conditioner 16 SEER Residential System 2 - 5 Ton Capacity

The FS4BF Series now offers the choice of an air conditioner that uses a more efficient and environmentally friendly refrigerant designated R-410A. The FS4BF-K(B,C) Series air conditioners offers exceptional performance. The unit, when combined with our engineered coils or air handlers, offers a line of quality, 16 SEER split system cooling equipment.



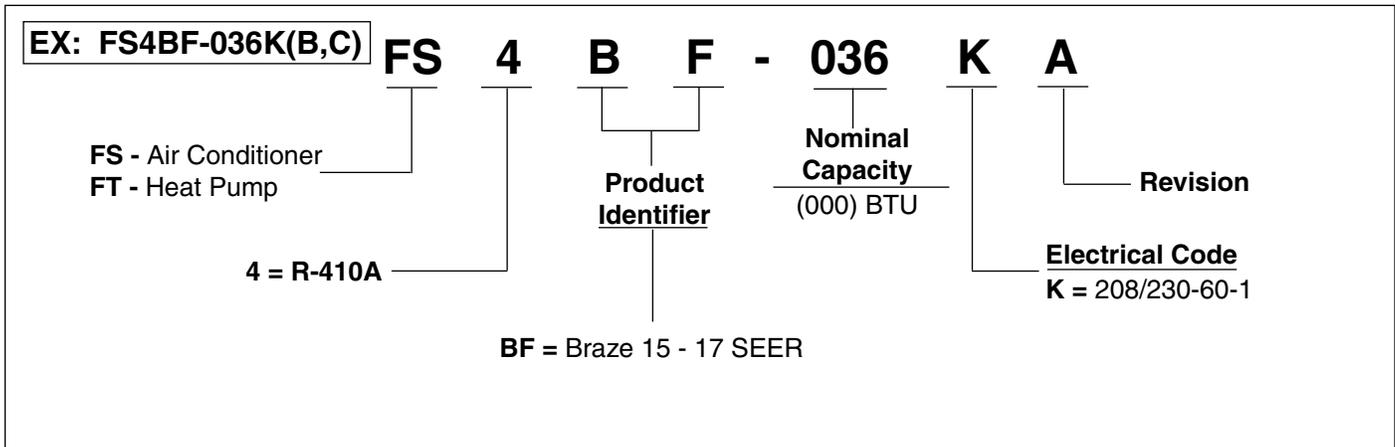
WARRANTY

- This product offers a 10-year all-parts warranty.
- This product offers a 10 year Quality Pledge to replace the entire unit, if the unit's major component (heat exchanger or compressor) fails within the first 10 years of operation, to the original owner. All split system products must be installed with a matched indoor air handler or indoor coil to qualify.
- Consumer product registration required for both 10 year All Parts Warranty and Quality Pledge within a limited period of time after the installation. See current warranty document or visit our consumer web site for warranty details.

FEATURES and BENEFITS

- **R-410A Refrigerant:** Earth friendly non-ozone depleting refrigerant.
- **ComfortAlert™ Module:** Detects system and electrical problem conditions. A diagnostics key directs the service technician to the root cause of a problem.
- **Copeland Scroll UltraTech™ Compressor:** The Ultra Tech Compressor operates with 2 stages of cooling capacity to provide superior comfort and efficiency. Copeland's proven and simple design equates to years of comfort and reliability for the homeowner with virtually silent operation.
- **Durable, Attractive Cabinet:** Designed using galvanized steel with a polyester urethane finish. The 950 hour salt spray finish is 1.5 mil thick and resists corrosion 50% better than comparable units.
- **Composite Base Pan:** Absorbs sound and is corrosion resistant. Composite is also stronger and lighter than steel.
- **Compressor Sound Blanket:** Engineered to significantly reduce unwanted compressor noise.
- **Swept-Wing Fan Blade:** Designed to significantly reduce unwanted noise.
- **Louvered Condenser Guard:** Durable metal guard protects the coil from yard hazards and extreme weather.
- **Removable Top Grille Assembly:** Allows ease of service from the top without disconnecting fan motor leads.
- **Low Pressure Switch:** Loss of charge protection ensures long compressor life. Auto-reset feature prevents nuisance service visits.
- **High Pressure Switch:** Protects against abnormally high system pressures. Auto-reset feature prevents nuisance service visits.
- **Liquid Line Filter Drier:** Included with unit, field installed.
- **One Piece Top/Orifice:** Designed for maximum airflow and quiet operation.
- **Easy Compressor and Control Access:** Designed to make servicing easier for the contractor, access panels are provided to all controls and the compressor from the side of the unit.
- **Micro-Channel:** All aluminum coils in 2-4 ton models which provides high corrosion resistance.

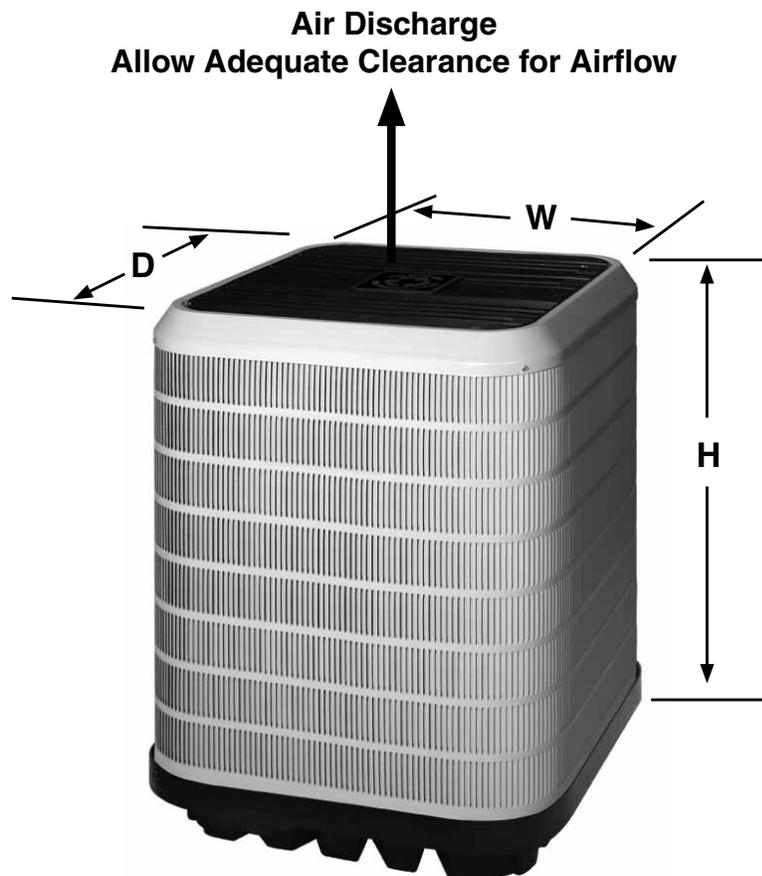
MODEL IDENTIFICATION CODES



DIMENSIONS

AIR CONDITIONER OUTDOOR SECTION

FS4BF	024KB	036KB	048KC	060KB
H	31 1/2"	35 1/2"	39 1/2"	43 1/2"
W	22 3/4"	30 3/4"	30 3/4"	30 3/4"
D	22 3/4"	30 3/4"	30 3/4"	30 3/4"



PHYSICAL AND ELECTRICAL SPECIFICATIONS / OUTDOOR UNITS

16 SEER — R-410A Extra High Efficiency — Single Phase

Model Number FS4BF-		024KB	036KB	048KC	060KB	
Electrical Data	Volts-Cycles-Phase (1)		208/230-60-1			
	Total Amps		12.6	16.5	23.7	25.9
	Delay Fuse Max. (2)		25	35	50	50
	Min. Circuit Ampacity		15.5	20.3	29.0	31.7
Component Data	Coil	Area	13.3	20.3	22.8	25.4
		Rows-FPI	1-23	1-18	1-18	2-18
		Tube Dia	MC			3/8" OD
	Fan Motor	Type	PSC		BLDC	
		Amps	0.9	1.3	2.6	2.9
		HP	0.13	0.25	0.33	0.33
	Compressor Data	RLA	11.6	15.2	21.1	23.0
		LRA	58.3	83.0	104.0	118.0
Refrigerant suction line O.D. NOTE: Liquid line is 3/8" O.D. for entire length.		0-24 ft.	3/4"	7/8"(4)	7/8"	7/8"
		25-39 ft.	7/8" (3)	1-1/8" (3)	1-1/8" (3)	1-1/8" (3)
		40-75 ft.	7/8" (3)	1-1/8" (3)	1-1/8" (3)	1-1/8" (3)
Approximate Weight (lbs.)		Net	144	188	198	284
		Ship	151	197	207	296
Sound Ratings db		70	73	73	75	

(1) Operating Voltage Range: 187v min. - 253v max.

(2) HACR Type Circuit Breakers may be used.

(3) Requires 1-1/8" to 7/8" reducer from line to unit.

(4) Use of a 3/4" linset will result in approximately 2% loss in capacity.

(5) Additional charge for line sets above 15 feet.

Values based on suction line as follows with 3/8" liquid line.

a) 3/4" = 0.6 oz. per additional foot.

b) 7/8" = 0.7 oz. per additional foot.

c) 1 1/8" = 0.8 oz. per additional foot.

ACCESSORIES - Condensing Unit

Start Assist Kit - 912933

Provides additional starting torque for the compressor motor when operating with low line voltage or high operating temperatures.

Extreme Wind Condition Mounting Kit - 920900

COPPER WIRE SIZE — AWG (1% Voltage Drop)				
Supply Wire Length-Feet				Supply Circuit
200	150	100	50	Ampacity
6	8	10	14	15
4	6	8	12	20
4	6	8	10	25
4	4	6	10	30
3	4	6	8	35
3	4	6	8	40
2	3	4	6	45
2	3	4	6	50

Wire Size based on N.E.C. for 60° type copper conductors.

SYSTEM COOLING CAPACITIES

16 SEER — Extra High Efficiency — Single Phase

Outdoor Unit Number FS4BF	Indoor Unit Number C6BA/H-	High Speed Capacity (BTU/h)	SEER	EER	Low Speed SCFM	High Speed SCFM
024KB	X24(C,U)-B+MB7(E,V)M(*)B	24000	16	13	645	840
036KB	X36(C,U)-B+MB7(E,V)M(*)B	36000	16	13	810	1140
036KB	X36(C,U)-C+MB7(E,V)M(*)C	36000	16	13	810	1140
048KC	X48(C,U)-C+MB7(E,V)M(*)C	47000	16	13	975	1400
060KB	X60(C,U)-C+MB7(E,V)M(*)C	57000	16	13	1025	1500

Outdoor Unit Number FS4BF	Indoor Unit Number B6VMA	High Speed Capacity (BTU/h)	SEER	EER	Low Speed SCFM	High Speed SCFM
024KB	X24K-B	24000	16	13	670	930
036KB	X36K-B	36000	16	13	810	1140
048KC	X48K-C	47000	16	13	975	1400
060KB	X60K-C	57000	16	13	1025	1520

Air handlers and coils used in tables are designed and manufactured by NORDYNE.

See current AHRI Directory for certified combinations and ratings.

www.ahridirectory.org

COMFORT ALERT™ DIAGNOSTIC MODULE

Green POWER LED Indicates Voltage Is Present At The Power Connection Of The Module

Yellow ALERT LED Flashes To Indicate Fault Code

Red TRIP LED Indicates If Compressor Is Tripped Or Has No Power



Pass Through Ports Detect Run/Start Current; Spade Connectors Detect Tstat Demand and Pilot Voltage; Microprocessor Monitors Behavior To Determine Faults

Diagnostics Key Directs Service Tech To The Root Cause Of A Problem

EXPANDED COOLING PERFORMANCE - 2-STAGE AC SYSTEMS

FS4BF-024KB C6B(A,H)-X26(C,U)-B + VSB - High Speed

FS4BF-024KB B6VMAX24K-B - High Speed

O.D.T			65°F			75°F			85°F			95°F			105°F			115°F		
CFM	E.D.B.	E.W.B.	T.C.	S.C.	K.W.	T.C.	S.C.	K.W.	T.C.	S.C.	K.W.	T.C.	S.C.	K.W.	T.C.	S.C.	K.W.	T.C.	S.C.	K.W.
700	80	62	26.5	20.9	1.39	25.6	20.8	1.53	24.5	20.9	1.69	23.4	20.5	1.86	22.14	21.60	2.08	20.85	20.33	2.34
	80	67	28.6	17.0	1.41	27.6	16.9	1.55	26.4	17.1	1.70	25.2	16.7	1.88	23.80	16.46	2.10	22.44	15.49	2.35
	80	72	31.5	13.1	1.43	30.3	13.0	1.57	29.0	13.3	1.73	27.5	13.0	1.92	26.11	12.86	2.12	24.58	13.22	2.37
	75	62	26.3	17.2	1.39	25.3	17.1	1.53	24.2	17.2	1.69	23.1	16.9	1.86	21.86	15.61	2.07	20.57	16.84	2.33
800	80	62	27.2	22.6	1.41	26.2	23.0	1.55	25.1	22.5	1.71	24.0	22.3	1.88	22.77	22.00	2.11	21.65	21.47	2.36
	80	67	29.3	18.1	1.43	28.2	18.7	1.57	27.0	18.2	1.72	25.7	18.0	1.90	24.27	18.00	2.12	22.92	18.17	2.37
	80	72	32.2	13.8	1.45	30.9	14.5	1.60	29.5	14.1	1.75	28.0	14.0	1.93	26.24	14.06	2.14	24.60	14.10	2.39
	75	62	26.9	18.4	1.41	25.9	18.9	1.55	24.8	18.4	1.70	23.7	18.4	1.88	22.38	18.29	2.09	21.00	18.20	2.35
900	80	62	28.2	25.0	1.44	27.1	25.1	1.58	25.9	24.1	1.73	24.7	23.5	1.91	23.51	22.71	2.13	22.32	22.22	2.38
	80	67	29.9	19.6	1.45	28.8	19.8	1.59	27.5	19.3	1.74	26.1	19.2	1.93	24.70	19.28	2.14	23.27	19.38	2.39
	80	72	32.6	14.9	1.47	31.2	15.2	1.61	29.5	14.8	1.77	28.0	14.7	1.95	26.48	14.65	2.16	24.93	14.81	2.40
	75	62	27.9	20.4	1.43	26.8	20.6	1.57	25.6	20.1	1.73	24.4	20.0	1.90	22.98	19.79	2.13	21.58	19.81	2.37

FS4BF-024KB C6B(A,H)-X26(C,U)-B + VSB - Low Speed

FS4BF-024KB B6VMAX24K-B - Low Speed

O.D.T			65°F			75°F			85°F			95°F			105°F			115°F		
CFM	E.D.B.	E.W.B.	T.C.	S.C.	K.W.	T.C.	S.C.	K.W.	T.C.	S.C.	K.W.	T.C.	S.C.	K.W.	T.C.	S.C.	K.W.	T.C.	S.C.	K.W.
700	80	62	20.7	18.6	0.92	20.1	18.3	1.04	19.4	18.1	1.17	18.5	17.4	1.32	17.55	17.25	1.50	16.56	16.28	1.69
	80	67	22.2	14.8	0.91	21.4	14.8	1.03	20.5	15.0	1.16	19.4	14.8	1.32	18.25	14.55	1.49	17.05	14.26	1.69
	80	72	24.3	11.1	0.89	23.3	11.1	1.01	22.1	11.3	1.14	20.9	11.0	1.31	19.62	10.83	1.48	18.32	11.00	1.69
	75	62	20.4	15.2	0.92	19.7	15.1	1.04	18.8	15.2	1.18	17.8	14.9	1.33	16.74	13.69	1.50	15.63	14.73	1.70
800	80	62	21.5	19.4	0.92	20.9	19.5	1.04	20.1	18.7	1.18	19.1	18.1	1.33	18.14	17.53	1.50	17.09	16.95	1.70
	80	67	22.7	16.1	0.91	21.9	16.6	1.03	20.9	16.2	1.17	19.7	16.1	1.32	18.55	16.03	1.50	17.32	15.98	1.70
	80	72	24.5	11.8	0.90	23.5	12.3	1.02	22.4	11.9	1.15	21.2	11.8	1.31	19.92	11.81	1.49	18.58	11.79	1.70
	75	62	20.8	16.4	0.93	20.1	16.8	1.04	19.2	16.4	1.18	18.2	16.2	1.34	17.05	16.12	1.51	16.00	15.86	1.70
900	80	62	22.2	20.2	0.92	21.5	20.1	1.04	20.7	19.3	1.18	19.7	18.7	1.33	18.62	17.99	1.51	17.54	17.47	1.70
	80	67	23.1	17.5	0.92	22.2	17.7	1.04	21.2	17.4	1.17	20.0	17.3	1.33	18.79	17.14	1.51	17.56	17.16	1.70
	80	72	24.8	12.7	0.90	23.9	12.9	1.02	22.7	12.6	1.16	21.4	12.5	1.32	20.11	12.41	1.50	18.75	12.46	1.70
	75	62	21.4	18.1	0.93	20.6	18.3	1.05	19.9	17.7	1.19	18.5	17.4	1.34	17.43	16.85	1.51	16.38	16.31	1.71

FS4BF-036KB C6B(A,H)-X36(C,U)-B + VSB - High Speed

FS4BF-036KB B6VMAX36K-B - High Speed

O.D.T			65°F			75°F			85°F			95°F			105°F			115°F		
CFM	E.D.B.	E.W.B.	T.C.	S.C.	K.W.	T.C.	S.C.	K.W.	T.C.	S.C.	K.W.	T.C.	S.C.	K.W.	T.C.	S.C.	K.W.	T.C.	S.C.	K.W.
1050	80	62	39.0	31.3	2.11	37.5	31.1	2.30	35.9	31.3	2.50	34.2	30.7	2.77	32.41	31.86	3.07	30.67	30.15	3.40
	80	67	42.4	25.4	2.15	40.6	25.3	2.32	38.8	25.7	2.55	36.9	25.2	2.80	34.95	24.90	3.09	32.84	23.54	3.42
	80	72	46.3	19.4	2.20	44.3	19.3	2.37	42.4	19.7	2.58	40.4	19.4	2.83	38.24	19.11	3.11	35.91	19.59	3.44
	75	62	38.8	26.0	2.11	37.2	25.8	2.29	35.6	26.0	2.50	33.8	25.5	2.77	32.03	23.51	3.07	30.05	25.24	3.40
1200	80	62	40.1	33.9	2.16	38.5	34.5	2.33	36.8	33.8	2.55	35.2	33.2	2.81	33.60	32.47	3.11	31.84	31.57	3.45
	80	67	43.2	27.5	2.19	41.4	28.3	2.36	39.5	27.6	2.58	37.6	27.3	2.83	35.60	27.36	3.12	33.45	27.35	3.46
	80	72	47.2	20.6	2.24	45.1	21.5	2.42	43.2	20.9	2.63	41.1	20.8	2.86	38.85	20.97	3.15	36.43	21.11	3.48
	75	62	39.7	27.9	2.15	38.1	28.6	2.33	36.4	27.9	2.54	34.5	27.5	2.81	32.67	27.48	3.10	30.64	27.37	3.44
1350	80	62	41.0	36.8	2.19	39.5	36.8	2.37	38.0	35.4	2.59	36.4	34.5	2.85	34.66	33.49	3.15	32.81	32.67	3.48
	80	67	44.0	29.8	2.23	42.1	30.1	2.40	40.2	29.4	2.62	38.2	29.3	2.87	36.16	29.18	3.16	33.91	29.30	3.49
	80	72	47.9	22.3	2.29	45.8	22.7	2.45	43.7	22.1	2.66	41.6	22.2	2.90	39.25	22.15	3.18	36.74	22.44	3.51
	75	62	40.5	30.2	2.19	38.8	30.4	2.37	37.0	29.7	2.58	35.1	29.5	2.84	33.20	29.29	3.14	31.11	29.29	3.47

FS4BF-036KB C6B(A,H)-X36(C,U)-B + VSB - Low Speed

FS4BF-036KB B6VMAX36K-B - Low Speed

O.D.T			65°F			75°F			85°F			95°F			105°F			115°F		
CFM	E.D.B.	E.W.B.	T.C.	S.C.	K.W.	T.C.	S.C.	K.W.	T.C.	S.C.	K.W.	T.C.	S.C.	K.W.	T.C.	S.C.	K.W.	T.C.	S.C.	K.W.
1050	80	62	30.1	27.1	1.33	28.9	26.3	1.46	27.7	25.8	1.64	26.4	24.8	1.85	25.04	24.61	2.09	23.50	23.11	2.37
	80	67	32.1	22.3	1.31	30.6	22.1	1.46	29.1	22.3	1.63	27.5	21.9	1.85	25.81	21.56	2.09	23.95	21.27	2.37
	80	72	35.1	16.5	1.29	33.5	16.4	1.44	31.8	16.7	1.62	30.0	16.4	1.83	27.98	16.08	2.09	25.89	16.27	2.38
	75	62	29.3	22.5	1.33	27.9	22.3	1.47	26.5	22.4	1.65	25.0	22.0	1.86	23.50	20.11	2.10	21.88	21.51	2.38
1200	80	62	31.3	28.2	1.34	30.0	28.0	1.48	28.7	26.8	1.65	27.4	25.9	1.86	25.92	25.05	2.11	24.27	24.06	2.39
	80	67	32.7	24.1	1.32	31.2	24.7	1.47	29.6	24.1	1.65	28.0	23.9	1.86	26.26	23.82	2.11	24.33	23.66	2.39
	80	72	35.5	17.7	1.30	33.8	18.3	1.45	32.1	17.8	1.63	30.3	17.6	1.85	28.40	17.65	2.11	26.26	17.66	2.40
	75	62	29.9	24.4	1.35	28.5	24.8	1.48	27.1	24.3	1.66	25.6	23.9	1.87	24.14	23.32	2.11	22.59	22.40	2.39
1350	80	62	32.3	29.4	1.34	31.0	28.9	1.49	29.6	27.6	1.66	28.2	26.8	1.88	26.65	25.75	2.12	24.84	24.74	2.42
	80	67	33.2	26.3	1.34	31.7	26.5	1.48	30.1	25.9	1.66	28.4	25.8	1.88	26.70	25.53	2.12	24.86	24.75	2.42
	80	72	35.9	19.1	1.31	34.2	19.4	1.46	32.5	18.9	1.65	30.7	18.9	1.87	28.67	18.79	2.13	26.55	18.85	2.41
	75	62	30.4	26.5	1.36	29.0	26.6	1.50	27.6	25.8	1.68	26.3	24.9	1.89	24.79	23.96	2.13	23.16	23.07	2.41

EXPANDED COOLING PERFORMANCE - 2-STAGE AC SYSTEMS (CONT.)

FS4BF-048KC C6B(A,H)-X48(C,U)-C + VSB - High Speed
 FS4BF-048KC B6VMAX48K-C - High Speed

O.D.T			65°F			75°F			85°F			95°F			105°F			115°F		
CFM	E.D.B.	E.W.B.	T.C.	S.C.	K.W.	T.C.	S.C.	K.W.	T.C.	S.C.	K.W.	T.C.	S.C.	K.W.	T.C.	S.C.	K.W.	T.C.	S.C.	K.W.
1400	80	62	50.3	40.7	2.66	48.3	40.4	2.94	46.2	40.6	3.24	43.9	39.8	3.58	41.59	40.89	3.99	39.47	38.80	4.45
	80	67	54.2	33.0	2.70	52.0	32.8	2.97	49.7	33.1	3.27	47.3	32.7	3.62	44.61	32.15	4.02	41.96	30.63	4.49
	80	72	59.2	25.1	2.73	56.8	25.0	3.00	54.2	25.5	3.31	51.5	25.0	3.66	48.56	24.59	4.06	45.63	25.23	4.54
	75	62	49.9	33.8	2.65	47.9	33.5	2.93	45.8	33.7	3.23	43.4	33.0	3.58	41.01	30.46	3.98	38.57	32.65	4.44
1600	80	62	51.6	44.0	2.72	49.6	44.8	2.99	47.4	43.7	3.29	45.3	42.8	3.64	43.10	41.64	4.05	40.86	40.52	4.52
	80	67	55.4	35.6	2.74	53.2	36.6	3.02	50.7	35.7	3.32	48.1	35.3	3.67	45.38	35.27	4.07	42.66	35.26	4.54
	80	72	60.3	26.6	2.78	57.8	27.8	3.05	55.1	27.0	3.36	52.2	26.8	3.71	49.22	26.96	4.12	46.16	27.16	4.59
	75	62	51.0	36.2	2.71	49.0	37.0	2.99	46.8	36.1	3.29	44.3	35.6	3.63	41.75	35.45	4.03	39.21	35.32	4.49
1800	80	62	52.7	47.5	2.77	50.9	47.4	3.04	48.8	45.5	3.35	46.6	44.3	3.70	44.34	42.84	4.10	41.99	41.81	4.58
	80	67	56.3	38.5	2.79	54.0	38.9	3.07	51.4	38.0	3.37	48.8	37.8	3.72	46.00	37.54	4.12	43.19	37.70	4.59
	80	72	61.1	28.7	2.82	58.5	29.3	3.10	55.7	28.5	3.41	52.6	28.5	3.76	49.45	28.45	4.16	46.33	28.78	4.63
	75	62	51.9	39.0	2.77	49.8	39.3	3.04	47.5	38.4	3.34	45.0	38.1	3.68	42.37	37.71	4.08	39.84	37.72	4.55

FS4BF-048KC C6B(A,H)-X48(C,U)-C + VSB - Low Speed
 FS4BF-048KC B6VMAX48K-C - Low Speed

O.D.T			65°F			75°F			85°F			95°F			105°F			115°F		
CFM	E.D.B.	E.W.B.	T.C.	S.C.	K.W.	T.C.	S.C.	K.W.	T.C.	S.C.	K.W.	T.C.	S.C.	K.W.	T.C.	S.C.	K.W.	T.C.	S.C.	K.W.
1400	80	62	38.5	34.7	1.62	37.2	33.9	1.86	35.7	33.3	2.13	33.9	31.8	2.45	31.94	31.40	2.79	29.87	29.37	3.17
	80	67	41.0	28.4	1.60	39.3	28.3	1.84	37.4	28.5	2.13	35.2	27.9	2.45	32.85	27.40	2.79	30.43	26.99	3.16
	80	72	44.4	21.0	1.58	42.6	21.0	1.83	40.4	21.2	2.13	38.1	20.8	2.44	35.64	20.34	2.77	33.00	20.59	3.15
	75	62	37.5	28.8	1.62	36.0	28.6	1.87	34.2	28.7	2.14	32.2	28.1	2.44	29.94	25.39	2.80	27.74	27.21	3.18
1600	80	62	40.0	36.0	1.63	38.6	36.0	1.87	37.0	34.5	2.15	35.0	33.1	2.47	33.00	31.89	2.81	30.83	30.57	3.18
	80	67	41.8	30.7	1.62	40.0	31.4	1.87	38.0	30.7	2.15	35.8	30.3	2.47	33.43	30.17	2.81	31.01	29.89	3.18
	80	72	45.1	22.4	1.60	43.3	23.3	1.85	41.0	22.6	2.15	38.7	22.3	2.46	36.15	22.28	2.79	33.45	22.19	3.17
	75	62	38.3	31.1	1.64	36.7	31.7	1.89	34.9	30.9	2.16	32.9	30.4	2.46	30.73	29.69	2.82	28.61	28.37	3.20
1800	80	62	41.2	37.5	1.64	39.7	37.0	1.89	38.0	35.4	2.17	36.0	34.2	2.49	33.89	32.74	2.83	31.63	31.49	3.20
	80	67	42.4	33.3	1.64	40.6	33.6	1.89	38.6	32.9	2.17	36.3	32.6	2.49	34.00	32.17	2.83	31.64	31.51	3.20
	80	72	45.7	24.1	1.62	43.8	24.6	1.88	41.5	23.9	2.17	39.1	23.8	2.48	36.56	23.57	2.81	33.83	23.60	3.19
	75	62	38.9	33.6	1.66	37.4	33.8	1.90	35.5	32.9	2.18	33.6	31.9	2.49	31.50	30.44	2.84	29.31	29.18	3.22

FS4BF-060KB with C6B(A,H)-X60(C,U)-C + VSB - High Speed
 FS4BF-060KB with B6VMAX60K-C - High Speed

O.D.T			75°F			85°F			95°F			105°F			115°F		
CFM	E.D.B.	E.W.B.	T.C.	S.C.	K.W.	T.C.	S.C.	K.W.	T.C.	S.C.	K.W.	T.C.	S.C.	K.W.	T.C.	S.C.	K.W.
1575	80	62	61.2	45.0	3.53	58.0	43.6	3.98	54.8	42.3	4.43	51.6	40.9	4.88	48.4	39.5	5.33
	80	67	63.4	40.9	3.57	60.2	39.5	4.02	57.0	38.1	4.48	53.8	36.7	4.93	50.6	35.3	5.38
	80	72	65.6	36.7	3.62	62.4	35.3	4.07	59.2	33.9	4.52	56.1	32.6	4.97	52.9	31.2	5.42
	75	63	58.2	40.6	3.58	55.0	39.2	4.03	51.8	37.9	4.48	48.6	36.5	4.93	45.4	35.1	5.38
1625	80	62	61.8	45.2	3.56	58.6	43.8	4.01	55.4	42.4	4.46	52.2	41.0	4.91	49.0	39.7	5.36
	80	67	64.0	41.0	3.60	60.8	39.6	4.05	57.6	38.2	4.50	54.4	36.9	4.95	51.2	35.5	5.40
	80	72	66.2	36.8	3.65	63.0	35.5	4.10	59.8	34.1	4.55	56.6	32.7	5.00	53.4	31.3	5.45
	75	63	58.8	40.8	3.61	55.6	39.4	4.06	52.4	38.0	4.51	49.2	36.6	4.96	46.0	35.3	5.41
1675	80	62	62.3	45.3	3.59	59.1	43.9	4.04	55.9	42.6	4.49	52.7	41.2	4.94	49.6	39.8	5.39
	80	67	64.5	41.1	3.63	61.3	39.8	4.08	58.1	38.4	4.53	55.0	37.0	4.98	51.8	35.6	5.43
	80	72	66.7	37.0	3.68	63.6	35.6	4.13	60.4	34.2	4.58	57.2	32.8	5.03	54.0	31.5	5.48
	75	63	59.3	40.9	3.64	56.1	39.5	4.09	52.9	38.1	4.54	49.8	36.8	4.99	46.6	35.4	5.44

FS4BF-060KB with C6B(A,H)-X60(C,U)-C + VSB - Low Speed
 FS4BF-060KB with B6VMAX60K-C - Low Speed

O.D.T			75°F			85°F			95°F			105°F			115°F		
CFM	E.D.B.	E.W.B.	T.C.	S.C.	K.W.	T.C.	S.C.	K.W.	T.C.	S.C.	K.W.	T.C.	S.C.	K.W.	T.C.	S.C.	K.W.
1070	80	62	41.0	34.0	2.40	39.1	33.4	2.68	37.1	32.8	3.05	34.9	32.3	3.45	32.4	31.1	3.90
	80	67	44.7	28.9	2.39	42.5	28.0	2.68	40.3	27.1	3.04	37.9	26.1	3.45	35.2	25.1	3.89
	80	72	48.9	23.1	2.38	46.7	22.4	2.67	44.3	21.5	3.04	41.6	20.6	3.45	38.5	19.6	3.90
	75	63	41.5	28.0	2.40	39.6	27.2	2.68	37.5	26.3	3.05	35.3	25.3	3.45	32.7	24.2	3.91
1170	80	62	41.8	35.8	2.41	39.9	35.2	2.68	37.8	34.6	3.04	35.6	34.6	3.45	33.1	33.1	3.90
	80	67	45.4	30.1	2.39	43.3	29.3	2.67	41.0	28.4	3.04	38.6	27.4	3.45	35.8	26.3	3.91
	80	72	49.8	24.0	2.39	47.4	23.2	2.67	44.8	22.4	3.05	42.1	21.5	3.45	38.9	20.5	3.90
	75	63	42.3	29.2	2.41	40.3	28.4	2.68	38.2	27.5	3.05	35.9	26.5	3.45	33.2	25.4	3.91
1270	80	62	42.3	38.3	2.43	40.6	37.3	2.67	38.5	36.9	3.04	36.3	36.1	3.45	34.0	34.0	3.90
	80	67	46.2	31.4	2.40	43.9	30.6	2.67	41.7	29.7	3.04	39.1	28.7	3.45	36.2	27.6	3.90
	80	72	50.5	24.9	2.40	47.9	24.1	2.67	45.3	23.2	3.04	42.4	22.3	3.45	39.3	21.3	3.90
	75	63	43.0	30.5	2.41	40.9	29.6	2.68	38.8	28.7	3.05	36.4	27.7	3.45	33.7	26.6	3.90



For current Energy Star Information please refer to www.energystar.gov

GENERAL TERMS OF LIMITED WARRANTY

NORDYNE will furnish a replacement for any part of this product which fails in normal use and service within the first ten years of installation, in accordance with the terms of the warranty.

For complete details of the Limited Warranty, including applicable terms and conditions, see your local installer or contact the NORDYNE warranty department for a copy.

NORDYNE

COMPLETE COMFORT. GENUINE VALUE.

8000 Phoenix Parkway | O'Fallon, MO 63368-3827

Specifications and illustrations subject to change without notice and without incurring obligations. Printed in U.S.A (10/2012)

192D-1012 (Replaces 192D-0812)

www.westinghousevac.com

and Westinghouse are trademarks of Westinghouse Electric Corporation and used under license to NORDYNE.

© NORDYNE. All Rights Reserved.