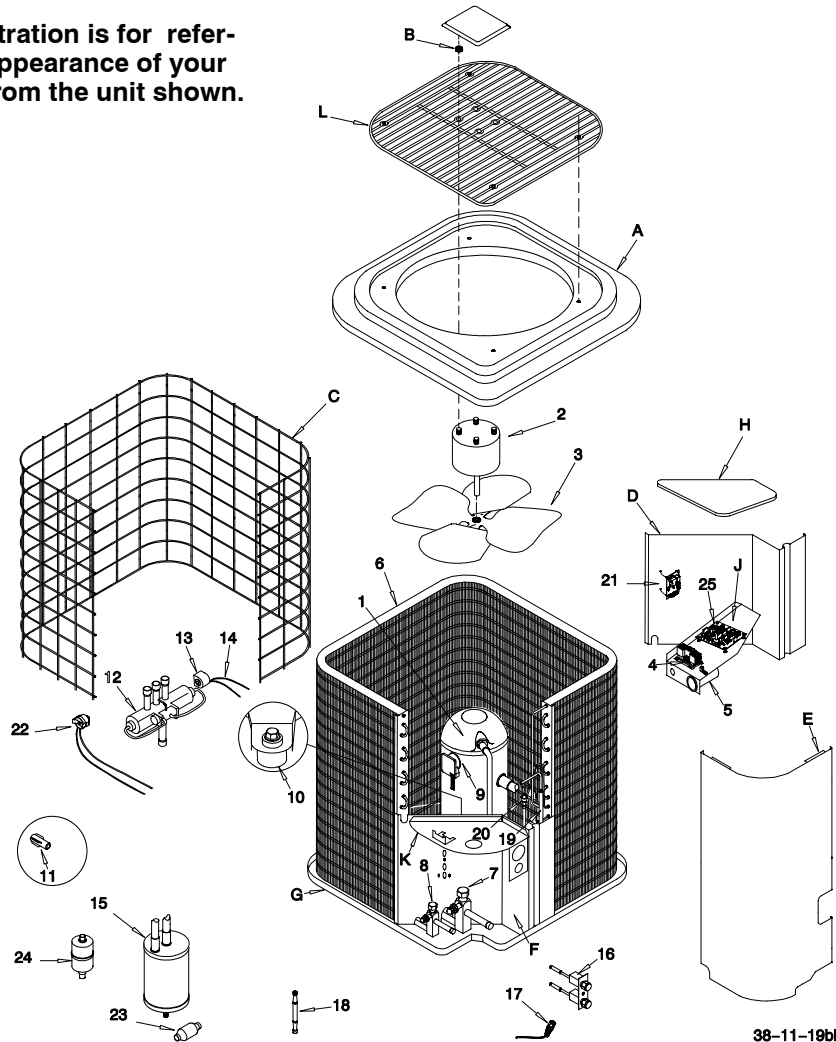


Replacement Parts, W/D & Tech Data HHP018-060 Series

NOTE: This illustration is for reference only. The appearance of your unit may differ from the unit shown.



38-11-19bh

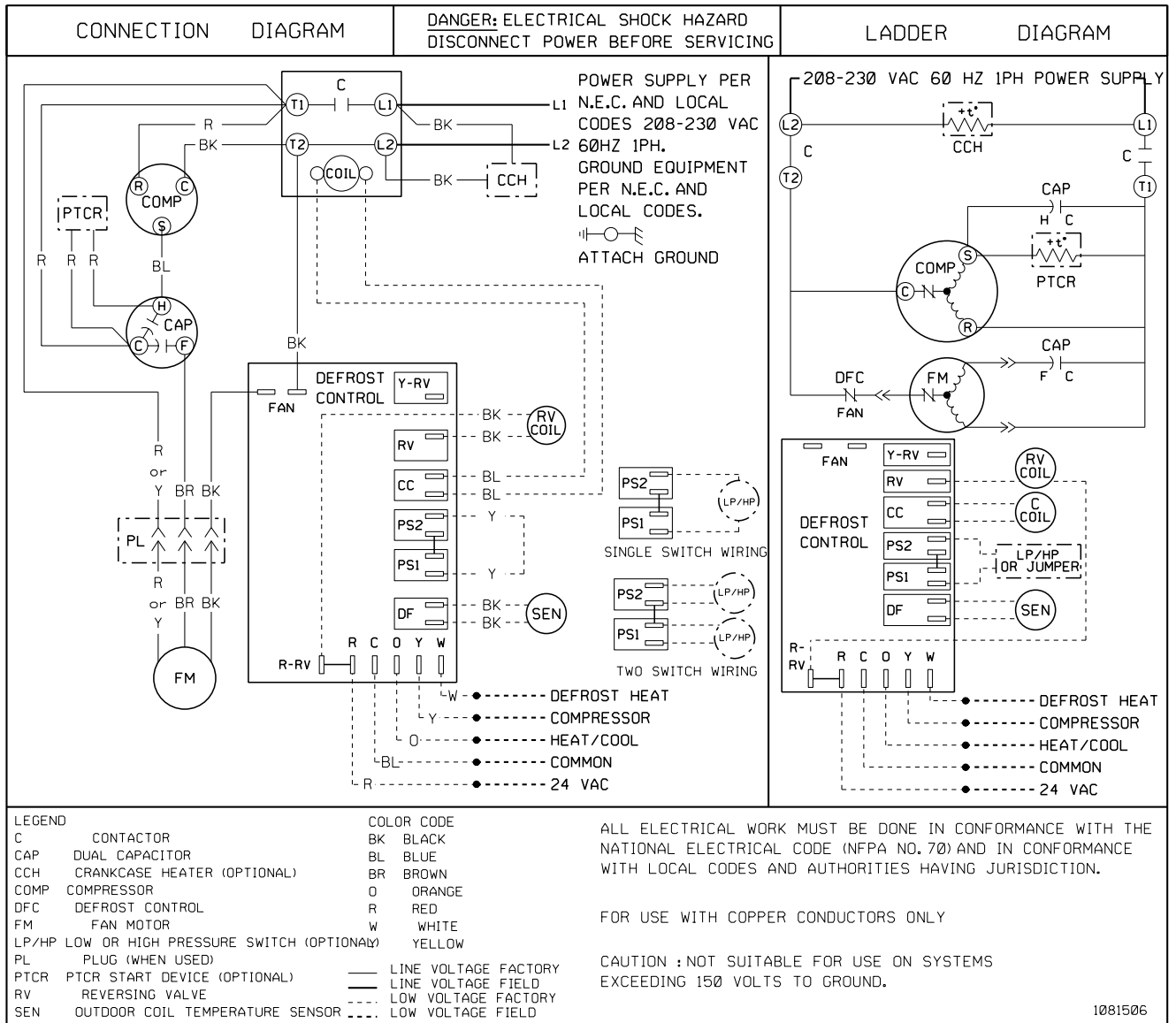
KEY NO.	DESCRIPTION	PART NUMBER	PART NUMBER									
			HHP018AKA1	HHP024AKA1	HHP030AKA1	HHP036AKA1	HHP042AKA1	HHP048AKA1	HHP060AKA1	HHP060AKA2	HHP060AKA3	
A	Panel, Top	1085983	1	1								
A		1085997	-	-	1	1	1					
A		1086061	-	-	-	-	-	1	1	1	1	
B	Nut, Hex	1086356	4	4	4	4	4	4	4	4	4	
C	Grille, Inlet	1086042	1									
C		1086058	-	1								
C		1086242	-	-	1							
C		1086244	-	-	-	1						
C		1086526	-	-	-	-	1					
C		1087096	-	-	-	-	-	1				
C		1086248	-	-	-	-	-	-	1	1	1	1
D	Box, Control	1086849	1	1	1	1	1	1	1	1	1	1
E	Cover, Control Box	1086037	1									
E		1086213	-	1	1							
E		1086215	-	-	-	1						
E		1086214	-	-	-	-	1					
E		1086359	-	-	-	-	-	1				
E		1086215	-	-	-	-	-	-	1	1	1	1
F	Panel, Corner	1086043	1									
F		1086343	-	1	1							
F		1086345	-	-	-	1			1	1	1	
F		1086347	-	-	-	-	1					
F		1086349	-	-	-	-	-	1				
G	Panel, Base	1085982	1	1								
G		1086041	-	-	1	1	1					
G		1086060	-	-	-	-	-	1	1	1	1	1
H	Top, Control Box	1086045	1	1	1	1	1	1	1	1	1	1
J	Shelf, Control Box	1086363	1	1								
J		1086044	-	-	1	1	1	1	1	1	1	1
K	Bottom, Control Box	1086039	1	1	1	1	1	1	1	1	1	1
L	Grille, Top Discharge	1085984	1	1								
L		1086050	-	-	1	1	1					
L		1086062	-	-	-	-	-	1	1	1	1	1
X	Manual, Parts List	42813320102	1	1	1	1	1	1	1	1	1	1
X	Manual, Owners	42802300100	1	1	1	1	1	1	1	1	1	1
X	Manual, Installation	42101320100	1	1	1	1	1	1	1	1	1	1

Replacement Parts - HHP018-060 Series

DESCRIPTION	PART NUMBER	HHP018AKA1	HHP024AKA1	HHP030AKA1	HHP036AKA1	HHP042AKA1	HHP048AKA1	HHP060AKA1	HHP060AKA2	HHP060AKA3
Compressor, ZR16KCPFV ZR24KCPFV ZR28KCPFV ZR36KCPFV ZR42KCPFV ZR47KCPFV ZR61KCPFV	1080975	1								
	1080976	-	1							
	1082500	-	-	1						
	1082501	-	-	-	1					
	1082502	-	-	-	-	1				
	1084518	-	-	-	-	-	1			
**ZR61KCPFV-133		-	-	-	-	-	1	1	1	1
Motor, Condenser Fan	1086598	1	1							
	1085926	-	-	1	1	1				
	1086397	-	-	-	-	-	1	1	1	1
Fan Blade	1085684	1	1							
	1086516	-	-	1	1					
	1086446	-	-	-	-	1				
	1086520	-	-	-	-	-	1			
	1086519	-	-	-	-	-	-	1	1	1
Contactor, 25 Amp 35 Amp 40 Amp	1050699	1	1	1	1					
	1050839	-	-	-	-	1	1			
	1059574	-	-	-	-	-	-	1	1	1
Capacitor, 370 Volt. 3+30 Mfd 370 Volt 3+35 Mfd 440 Volt 5+35 Mfd 440 Volt 5+40 Mfd 370 Volt 7.5+50 Mfd 370 Volt 7.5+60 Mfd 370 Volt 7.5+80 Mfd 370 Volt 7.5+70 Mfd	1086677	1								
	1086678	-	1							
	1086641	-	-	1						
	1086642	-	-	-	1	1				
	1086646	-	-	-	-	-	1			
	***1086649	-	-	-	-	-	-	1	-	-
	***1086650	-	-	-	-	-	-	-	1	-
***1087951	-	-	-	-	-	-	-	-	1	
Condenser Coil	1086628	1								
	1086456	-	1							
	1086458	-	-	1						
	1086661	-	-	-	1					
	1086662	-	-	-	-	1				
	1086663	-	-	-	-	-	1			
	1086664	-	-	-	-	-	-	1	1	1
Service Valve (Suction)	1086738	1	1							
	1085991	-	-	1	1					
	1085988	-	-	-	-	1	1	1	1	1
Service Valve (Liquid)	1085989	1	1	1	1	1	1	1	1	
Plug, Compressor Harness	1081938	1	1							
	1081939	-	-	1	1	1	1	1	1	1
Grommet, Compressor	1052060	4	4	4	4	4	4	4	4	
Restrictor, .048 .056 .063 .070 .073 .082 .093	1057994	1								
	1055490	-	1							
	1052933	-	-	1						
	1053644	-	-	-	1					
	1054027	-	-	-	-	1				
	1092222	-	-	-	-	-	1			
	1055493	-	-	-	-	-	-	1	1	1
	1055493	-	-	-	-	-	-	-	1	1
Valve, Reversing	34329022	1	1							
	34329020	-	-	1						
	34329000	-	-	-	1					
	513542	-	-	-	-	1				
	34329002	-	-	-	-	-	1			
34329030	-	-	-	-	-	-	1	1	1	
Coil, Reversing Valve	34329055	1	1	1	1	1	1	1	1	
Harness, Reversing Valve Coil	1066711	1	1	1	1	1	1	1	1	
Accumulator	1063781	1	1							
	1092835	-	-	1	1					
	1081064	-	-	-	-	1				
	1081063	-	-	-	-	-	1			
	1081065	-	-	-	-	-	-	1	1	1
Port Valve Assy	1080998	1	1	1	1	1	1	1	1	
Switch, Low Pressure	1081019	1	1	1	1	1	1	1	1	
Control, Flow .041 .051 .054 .063 .069 .076 .080	1080981	1								
	1080982	-	1							
	1080983	-	-	1						
	1080984	-	-	-	1					
	1080985	-	-	-	-	1				
	1080986	-	-	-	-	-	1			
	1080987	-	-	-	-	-	-	1	1	1
Distributor	1052830	1								
	1053086	*	1	1	1					
	1053087	-	-	-	-	1				
	1052793	-	-	-	-	-	1			
	1053087	-	-	-	-	-	-	1	1	1
Control, Defrost	1069364	1	1	1	1	1	1	1	1	
Sensor, Defrost Control	1082738	1	1	1	1	1	1	1	1	
Muffler	1059730	1	1	1	1	1	1	1	1	
Drier	1064507	1	1	1	1	1	1	1	1	

**ZR61KCPFV133 Replacement on all 5 ton

***1087950 Cap must be used with compressor change for A1 and A2 models



		PISTON CHART																														
		COIL MODELS (1)																														
Outdoor Units (2)		EPA/DM18	EPA/DM24	EPA/DM30	EPA/DM36	EPA/DM42	EPA/DM48	EPA/DM60	EPP024	EPP030	EPP036	EAH5524SA	EAH5536SA	EAH5548SA	EAH5560SA	EEA/D24	EEA/D30	EEA/D36	EEA/D48	EEA/D60	EMH24	EMH30	EMH36	EMH42	EMH48	FCP24	FCP30	FCP36	FCP42	FCP48	FCP60	
			(51)	(59)	(65)	(72)	(78)	(79)	(90)	(59)	(65)	(72)	(56)	(71)	(84)	(89)	(51)	(59)	(65)	(78)	(79)	(59)	(65)	(72)	(78)	(79)	(59)	(65)	(72)	(78)	(79)	(90)
HHP018(48)		48	48									48									48					48						
HHP024(56)				56								56										56				56	56					
HHP030(63)					63								63										63				65	63				
HHP036(70)						70								71									70						72	70		
HHP042(73)							73																73							73	73	
HHP048(82)								82	82																82						82	
HHP060(93)																																93

(1) - The number in parentheses with the coil model number is the size of the piston installed in the coil. The installer must change the pin to the size indicated in the chart if it is different from the factory installed pin.
(2) - The number in parentheses following the outdoor unit model number is the size of the piston shipped with the outdoor unit.
Note: If the required orifice is not shipped with the outdoor unit or coil it must be field supplied.

Style No:	CHP030 / HHP030	Outdoor Ambient Temperature - Degrees F. Dry Bulb																			
		75				85				95				105				115			
		Entering Indoor Temperature - Degrees F. Wet Bulb																			
		59	63	67	71	59	63	67	71	59	63	67	71	59	63	67	71	59	63	67	71
Voltage	208/230																				
Phase	1																				
Ampacity	19.5																				
Wire Ga	14																				
Wire Ft	25																				
Delay Fuse	25																				
Max. Fuse	30																				
Compressor	COPELAND																				
RLA	14.1																				
LRA	73																				
Cap MFD/V	35 / 440																				
CC Heater	NONE																				
Start Kit	NONE																				
Fan Motor-HP	1/3																				
Type	PSC																				
FLA	1.9																				
LRA	3.8																				
RPM	1075																				
Cap MFD/V	5 / 370																				
PTCR	NONE																				
Hi Press	NONE																				
Low Press	NONE																				
Low Amb	NONE																				
Defrost	ElecTime-Temp																				
Sensor	31-71																				
Operating Chg (25 Ft Line)*	(R-22Oz) 132																				
Service Driers																					
Liquid/Chg	8Culn/7oz																				
Suction	30Sqn																				
		Calculated averaged performance data, for service applications for all matches.																			
		*Add or Subtract (Oz per Ft) for Lines: .25oz -1/4 Liq, .45oz- 5/16 Liq, .60oz - 3/8 Liq, 1.2 oz - 1/2 Liq																			
		Part No: 1086783																			

Style No:	CHP036 / HHP036	Outdoor Ambient Temperature - Degrees F. Dry Bulb																			
		75				85				95				105				115			
		Entering Indoor Temperature - Degrees F. Wet Bulb																			
		59	63	67	71	59	63	67	71	59	63	67	71	59	63	67	71	59	63	67	71
Voltage	208/230																				
Phase	1																				
Ampacity	21.9																				
Wire Ga	12																				
Wire Ft	30																				
Delay Fuse	30																				
Max. Fuse	35																				
Compressor	COPELAND																				
RLA	16																				
LRA	100																				
Cap MFD/V	40 / 440																				
CC Heater	NONE																				
Start Kit	NONE																				
Fan Motor-HP	1/3																				
Type	PSC																				
FLA	1.9																				
LRA	3.8																				
RPM	1075																				
Cap MFD/V	5 / 370																				
PTCR	NONE																				
Hi Press	NONE																				
Low Press	NONE																				
Low Amb	NONE																				
Defrost	ElecTime-Temp																				
Sensor	31-71																				
Operating Chg (25 Ft Line)*	(R-22Oz) 124																				
Service Driers																					
Liquid/Chg	16Culn/11oz																				
Suction	30Sqn																				
		Calculated averaged performance data, for service applications for all matches.																			
		*Add or Subtract (Oz per Ft) for Lines: .25oz -1/4 Liq, .45oz- 5/16 Liq, .60oz - 3/8 Liq, 1.2 oz - 1/2 Liq																			
		Part No: 1086784																			

Style No:	CHP060 / HHP060	Outdoor Ambient Temperature - Degrees F. Dry Bulb																					
		75				85				95				105				115					
Voltage	208/230	IDB																					
Phase	1																						
Ampacity	35.3	Entering Indoor Temperature - Degrees F. Wet Bulb																					
Wire Ga	8	59	63	67	71	59	63	67	71	59	63	67	71	59	63	67	71	59	63	67	71		
Wire Ft	45	MBh	53.9	55.5	60.0	64.4	52.6	54.1	58.6	62.9	51.3	52.8	57.2	61.4	48.7	50.2	54.3	58.3	45.1	46.5	50.3	54.0	
Delay Fuse	45	S/T	.84	.75	.57	.36	.86	.77	.58	.37	.88	.79	.60	.38	.92	.82	.62	.40	.93	.83	.63	.40	
Max. Fuse	60	75	AMPS	22.4	22.9	23.7	24.6	24.4	25.0	25.9	26.9	26.1	26.8	27.7	28.8	27.9	28.6	29.6	30.8	29.6	30.4	31.4	32.7
Compressor	COPELAND	HI PR	182	196	207	216	207	223	236	246	236	254	268	280	266	286	302	315	293	316	333	348	
RLA	27.1	LO PR	56	60	65	70	58	62	68	72	61	65	71	76	64	68	75	80	67	71	77	82	
LRA	144	80	MBh	54.8	56.0	59.9	64.0	53.5	54.7	58.4	62.5	52.2	53.4	57.0	60.9	49.6	50.7	54.2	57.9	45.9	46.9	50.2	53.6
Cap MFD/V	** / 370	S/T	.92	.86	.70	.52	.94	.88	.72	.54	.97	.91	.74	.55	1.00	.94	.77	.57	1.00	.95	.77	.58	
CC Heater	NONE	AMPS	22.6	23.2	24.0	24.9	24.6	25.3	26.1	27.1	26.4	27.1	28.0	29.1	28.2	28.9	29.9	31.1	29.9	30.7	31.7	33.0	
Start Kit	NONE	HI PR	184	198	209	218	209	225	238	248	238	257	271	283	268	289	305	318	296	319	337	351	
Fan Motor-HP	1/4	LO PR	57	60	66	70	59	63	69	73	62	66	72	77	65	69	75	80	67	71	78	83	
Type	PSC	85	MBh	55.8	56.9	59.6	63.5	54.5	55.5	58.1	62.0	53.1	54.2	56.7	60.5	50.5	51.4	53.9	57.5	46.7	47.7	49.9	53.2
FLA	1.5	S/T	.96	.93	.84	.68	.98	.95	.86	.70	1.00	.98	.89	.72	1.00	1.00	.92	.75	1.00	1.00	.93	.75	
LRA	2.9	AMPS	22.8	23.4	24.2	25.1	24.9	25.5	26.4	27.4	26.6	27.3	28.3	29.4	28.4	29.1	30.2	31.4	30.2	31.0	32.0	33.3	
RPM	840	HI PR	186	200	211	220	211	228	240	251	241	259	274	285	271	292	308	321	299	322	340	355	
Cap MFD/V	7.5 / 370	LO PR	57	61	67	71	60	63	69	74	63	67	73	77	66	70	76	81	68	72	79	84	
PTCR	NONE	Heating																					
Hi Press	NONE	Outdoor Ambient Temperature - Degrees F. Dry Bulb																					
Low Press	NONE	IDB	65	60	55	50	47	45	40	35	30	25	20	17	15	10	5	0	-5	-10			
Low Amb	NONE	MBh	75.4	71.4	67.3	62.8	60.0	58.1	54.0	49.8	46.1	42.6	39.2	37.0	35.6	32.0	28.3	24.7	21.1	17.3			
Defrost	ElecTime-Temp	T/R	39	37	35	32	31	30	28	26	24	22	20	19	18	16	15	13	11	9			
Sensor	31-71	KW	5.2	5.1	5.0	4.8	4.8	4.7	4.6	4.5	4.3	4.2	4.1	4.1	4.0	3.9	3.8	3.7	3.5	3.4			
Operating Chg (25 Ft Line)*	(R-22Oz) 210	70	AMPS	32.6	30.1	28.1	26.4	25.4	24.9	23.4	22.2	21.2	20.2	19.2	18.7	18.4	17.4	16.2	15.2	13.9	12.4		
Service Driers		COP	4.2	4.1	4.0	3.8	3.7	3.6	3.4	3.2	3.1	2.9	2.8	2.7	2.6	2.4	2.2	2.0	1.7	1.5			
Liquid/Chg Suction	30Culn/17oz 30Sqn	EER	14.5	14.0	13.5	13.0	12.6	12.3	11.7	11.1	10.6	10.1	9.5	9.1	8.9	8.2	7.5	6.8	6.0	5.0			
		HI PR	264	253	243	232	227	223	214	205	197	188	180	176	173	166	160	153	148	143			
		LO PR	68	63	59	54	51	49	45	40	36	32	28	26	26	22	19	16	14	11			

Calculated averaged performance data, for service applications for all matches. Part No: 1088002
 *Add or Subtract (Oz per Ft) for Lines: .25oz -1/4 Liq, .45oz- 5/16 Liq, .60oz - 3/8 Liq, 1.2 oz - 1/2 Liq
 **60 for A1, 80 for A2, 70 for A3 and for A1 and A2 with compressor change

