

TECHNICAL SUPPORT MANUAL

Split System Heat Pump

(C,H,T)XH5

Safety Labeling and Signal Words

DANGER, WARNING, CAUTION, and NOTE

The signal words **DANGER**, **WARNING**, **CAUTION**, and **NOTE** are used to identify levels of hazard seriousness. The signal word **DANGER** is only used on product labels to signify an immediate hazard. The signal words **WARNING**, **CAUTION**, and **NOTE** will be used on product labels and throughout this manual and other manuals that may apply to the product.

DANGER - Immediate hazards which **will** result in severe personal injury or death.

WARNING - Hazards or unsafe practices which **could** result in severe personal injury or death.

CAUTION - Hazards or unsafe practices which **may** result in minor personal injury or product or property damage.

NOTE - Used to highlight suggestions which **will** result in enhanced installation, reliability, or operation.

Signal Words in Manuals

The signal word **WARNING** is used throughout this manual in the following manner:



The signal word **CAUTION** is used throughout this manual in the following manner:



Signal Words on Product Labeling

Signal words are used in combination with colors and/or pictures on product labels.

TABLE OF CONTENTS

Model Number Identification	2
R-410A Quick Reference Guide	3
Wiring Diagrams	4-7
Charging Chart	8
Tech Labels (Expanded Data)	9-17
CXH5 Parts List	18-20
HXH5 Parts List	21-23
TXH5 Parts List	24-26
Exploded View	27-29
Cooling Multiplying Factors	30-67
Heating Multiplying Factors	67-104

MODELS

CXH518GKA100	HXH518GKA100	TXH518GKA100
CXH524GKA100	HXH524GKA100	TXH524GKA100
CXH530GKA100	HXH530GKA100	TXH530GKA100
CXH536GKA100	HXH536GKA100	TXH536GKA100
CXH537GKA100	HXH537GKA100	TXH537GKA100
CXH542GKA100	HXH542GKA100	TXH542GKA100
CXH548GKA100	HXH548GKA100	TXH548GKA100
CXH560GKA100	HXH560GKA100	TXH560GKA100

DEATH, PERSONAL INJURY, AND/OR PROPERTY DAMAGE HAZARD

Failure to carefully read and follow this warning could result in equipment malfunction, property damage, personal injury and/or death.

Installation or repairs made by unqualified persons could result in equipment malfunction, property damage, personal injury and/or death.

The information contained in this manual is intended for use by a qualified service technician familiar with safety procedures and equipped with the proper tools and test instruments.

Installation must conform with local building codes and with the National Electrical Code NFPA70 current edition or Canadian Electrical Code Part 1 CSA C.22.1.

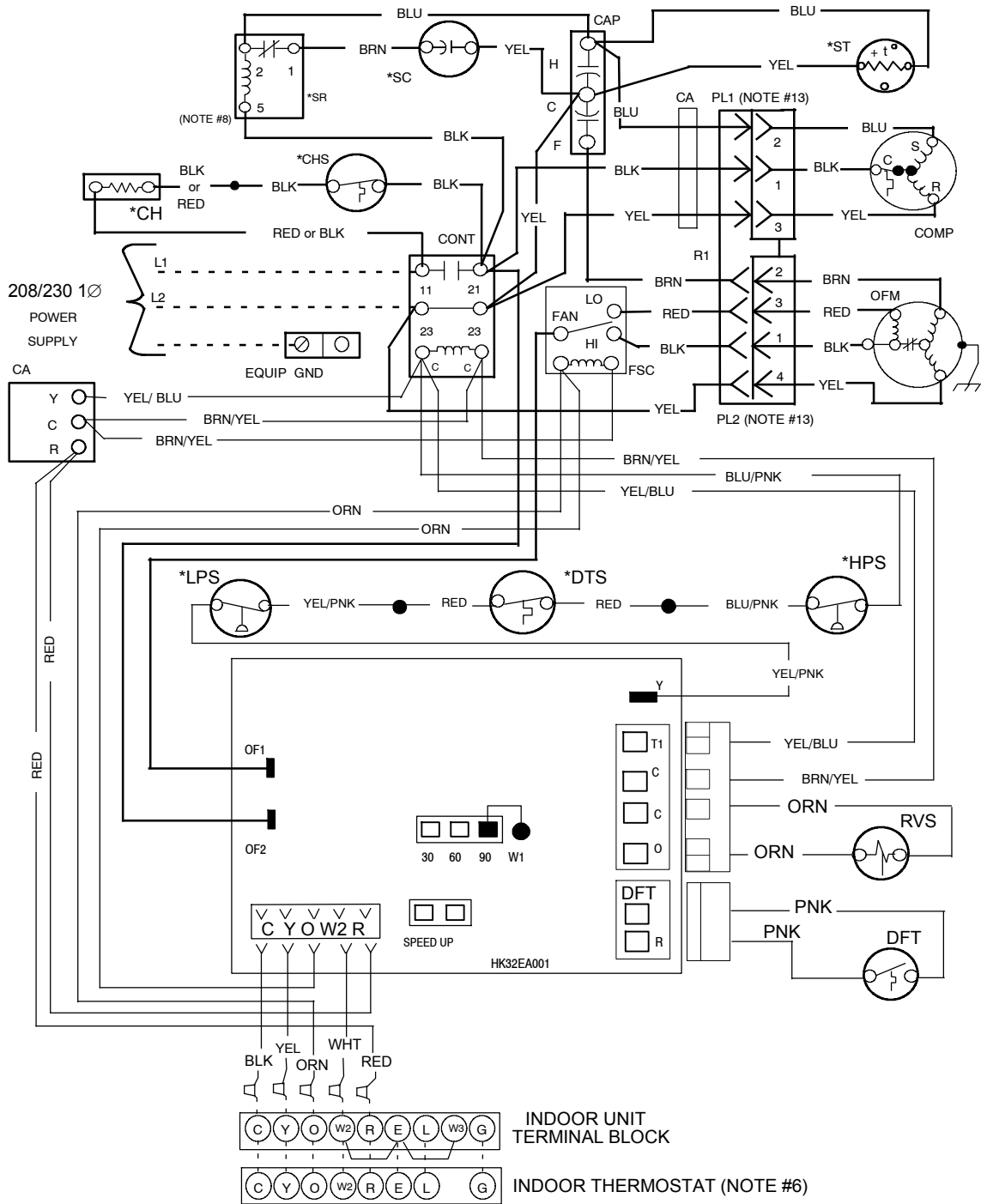
OUTDOOR UNIT MODEL NUMBER IDENTIFICATION GUIDE (single phase)											
Digit Position:	1	2	3	4	5, 6	7	8	9	10	11	12
Example Part Number:	C,H,T	X	H	5	18	G	K	A	1	0	0
Product Family											
X = R-410A		REFRIGERANT									
A = Air Conditioner											
H = Heat Pump											
TYPE											
3 = 13 SEER											
4 = 14 SEER											
5 = 15 SEER											
6 = 16 SEER											
7 = 17 SEER											
8 = 18 SEER											
NOMINAL EFFICIENCY											
18 = 18,000 BTUH = 1½ tons											
24 = 24,000 BTUH = 2 tons											
30 = 30,000 BTUH = 2½ tons											
36 = 36,000 BTUH = 3 tons											
42 = 42,000 BTUH = 3½ tons											
48 = 48,000 BTUH = 4 tons											
60 = 60,000 BTUH = 5 tons											
NOMINAL CAPACITY											
A = Standard Grille											
G = Coil Guard Grille											
C = Coastal											
FEATURES											
K = 208/230-1-60											
VOLTAGE											
Sales Code											
Engineering Revision											
Extra Digit											
Extra Digit											

ACCESSORIES PART NUMBER IDENTIFICATION GUIDE											
Digit Position:	1	2	3	4	5	6, 7	8, 9	10, 11			
Example Part Number:	N	A	S	A	0	01	01	CH			
N = Non-Branded		BRANDING									
A = Accessory		PRODUCT GROUP									
S = Split System (AC & HP)			KIT USAGE								
A = Original											
B = 2nd Generation											
MAJOR SERIES											
0 = Generic or Not Applicable											
2 = R-22											
4 = R-410A											
REFRIGERANT											
Product Identifier Number											
Package Quantity											
Type of Kit (Example: CH = Crankcase Heater)											

R-410A QUICK REFERENCE GUIDE

- R-410A refrigerant operates at 50% – 70% higher pressures than R-22. Be sure that servicing equipment and replacement components are designed to operate with R-410A.
- R-410A refrigerant cylinders are rose colored.
- Recovery cylinder service pressure rating must be 400 psig, DOT 4BA400 or DOT BW400.
- R-410A systems should be charged with liquid refrigerant. Use a commercial type metering device in the manifold hose when charging into suction line with compressor operating.
- Manifold sets should be 750 psig high-side and 200 psig low-side with 520 psig low-side retard.
- Use hoses with 750 psig service pressure rating.
- Leak detectors should be designed to detect HFC refrigerant.
- R-410A, as with other HFC refrigerants, is only compatible with POE oils.
- Vacuum pumps will not remove moisture from oil.
- Do not use liquid line filter-driers with rated working pressures less than 600 psig.
- Do not install a suction line filter-drier in liquid line.
- POE oils absorb moisture rapidly. Do not expose oil to atmosphere.
- POE oils may cause damage to certain plastics and roofing materials.
- Wrap all filter-driers and service valves with wet cloth when brazing.
- A liquid line filter-drier is required on every unit.
- Do not use with an R-22 TXV.
- If indoor unit is equipped with an R-22 TXV, it must be changed to an R-410A TXV.
- Never open system to atmosphere while it is under a vacuum.
- When system must be opened for service, break vacuum with dry nitrogen and replace all filter-driers. Evacuate to 500 microns before recharging.
- Do not vent R-410A into the atmosphere.
- Do not use capillary tube indoor coils.
- Observe all **WARNINGS**, **CAUTIONS**, **NOTES**, and **bold** text.

Model Size: 18, 24, 30, 36, 37, 42, 48, CONNECTION DIAGRAM



LEGEND

- | | | | |
|-------|----------------------------|------|-----------------------------|
| — | FACTORY POWER WIRING | COMP | COMPRESSOR |
| — | FACTORY CONTROL WIRING | DFT | DEFROST THERMOSTAT |
| - - - | FIELD CONTROL WIRING | DR | DEFROST RELAY AND CIRCUITRY |
| - - - | FIELD POWER WIRING | *DTS | DISCHARGE TEMP SWITCH |
| — | CONDUCTOR ON CIRCUIT BOARD | FSC | FAN SPEED CONTROL |
| ○ | COMPONENT CONNECTION | *HPS | HIGH PRESSURE SWITCH |
| ⊕ | FIELD SPLICE | *LLS | LIQ LINE SOLENOID VALVE |
| ⊕ | JUNCTION | *LPS | LOW PRESSURE SWITCH |
| ⊕ | PLUG RECEPTACLE | OFM | OUTDOOR FAN MOTOR |
| CA | COMFORT ALERT | PL1 | COMPRESSOR PLUG |
| CONT | CONTACTOR | PL2 | OUTDOOR FAN PLUG |
| CAP | CAPACITOR (DUAL RUN) | R1 | RECEPTACLE |
| *CH | CRANKCASE HEATER | RVS | REVERSING VALVE SOLENOID |
| *CHS | CRANKCASE HEATER SWITCH | *SC | START CAPACITOR |
| | | *SR | START RELAY |
| | | *ST | START THERMISTOR |

*** MAY BE FACTORY INSTALLED**

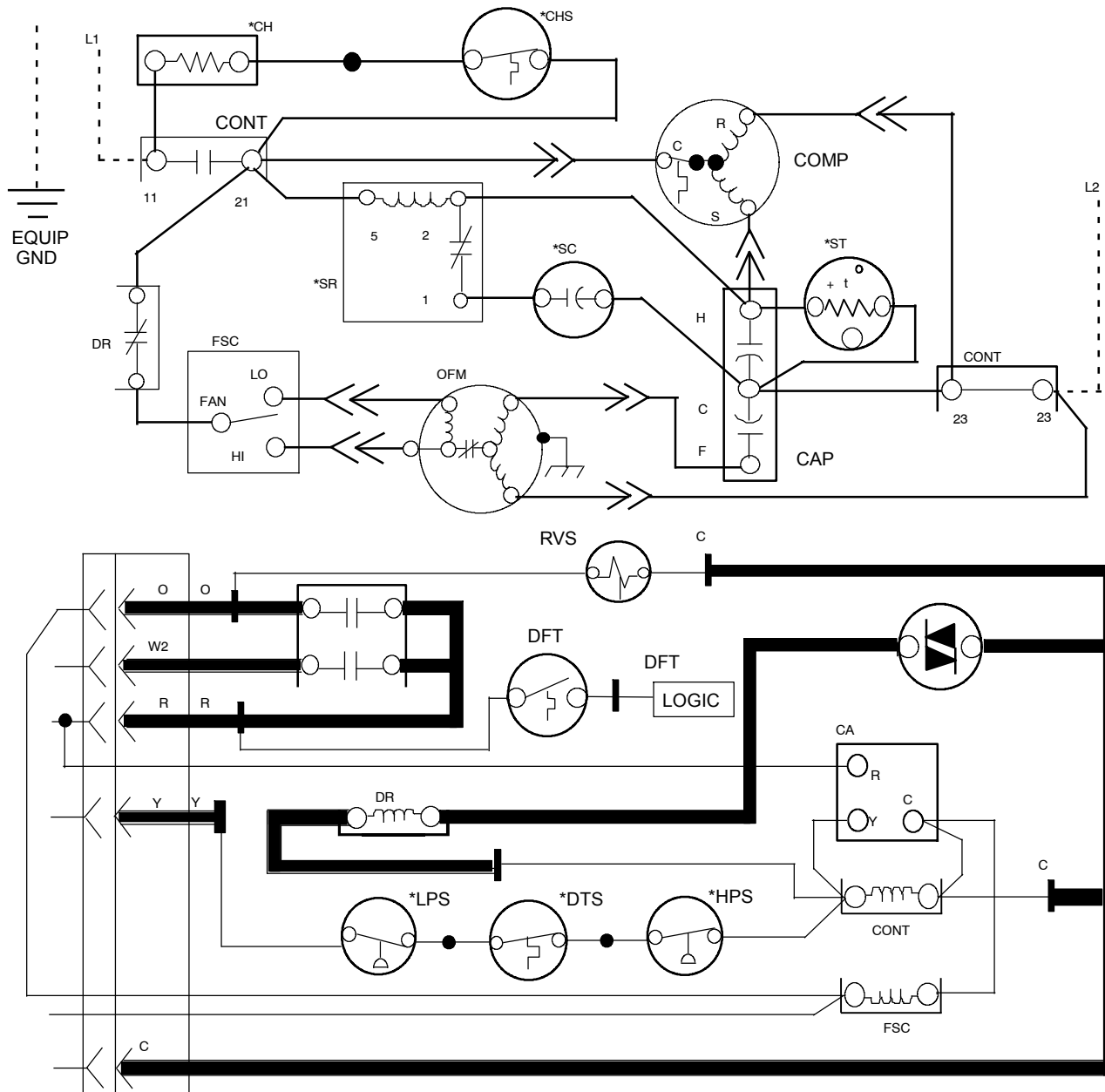
NOTES:

1. Symbols are electrical representation only.
2. Compressor and fan motor furnished with inherent thermal protection.
3. To be wired in accordance with National Electric N.E.C. and local codes.
4. N.E.C. class 2, 24 V circuit, min. 40 VA required, 60 VA on units installed with LLS.
5. Use copper conductors only. Use conductors suitable for at least 75°C (167°F).
6. Must use thermostat and sub-base as stated in pre-sale literature.
7. If indoor section has a transformer with a grounded secondary, connect the grounded side to the BRN/YEL lead.
8. When start relay and start capacitor are installed, start thermistor is not used.
9. If any of the original wire, as supplied, must be replaced, use the same or equivalent wire.
10. Check all electrical connections inside control box for tightness.
11. Do not attempt to operate unit until service valves have been opened.
12. Do not rapid cycle compressor. Compressor must be off 3 minutes to allow pressures to equalize between high and low side before starting.
13. Not for interrupting current.

330751-101 REV. E

Model Size: 18, 24, 30, 36, 37, 42, 48,

SCHEMATIC DIAGRAM (LADDER FORM)



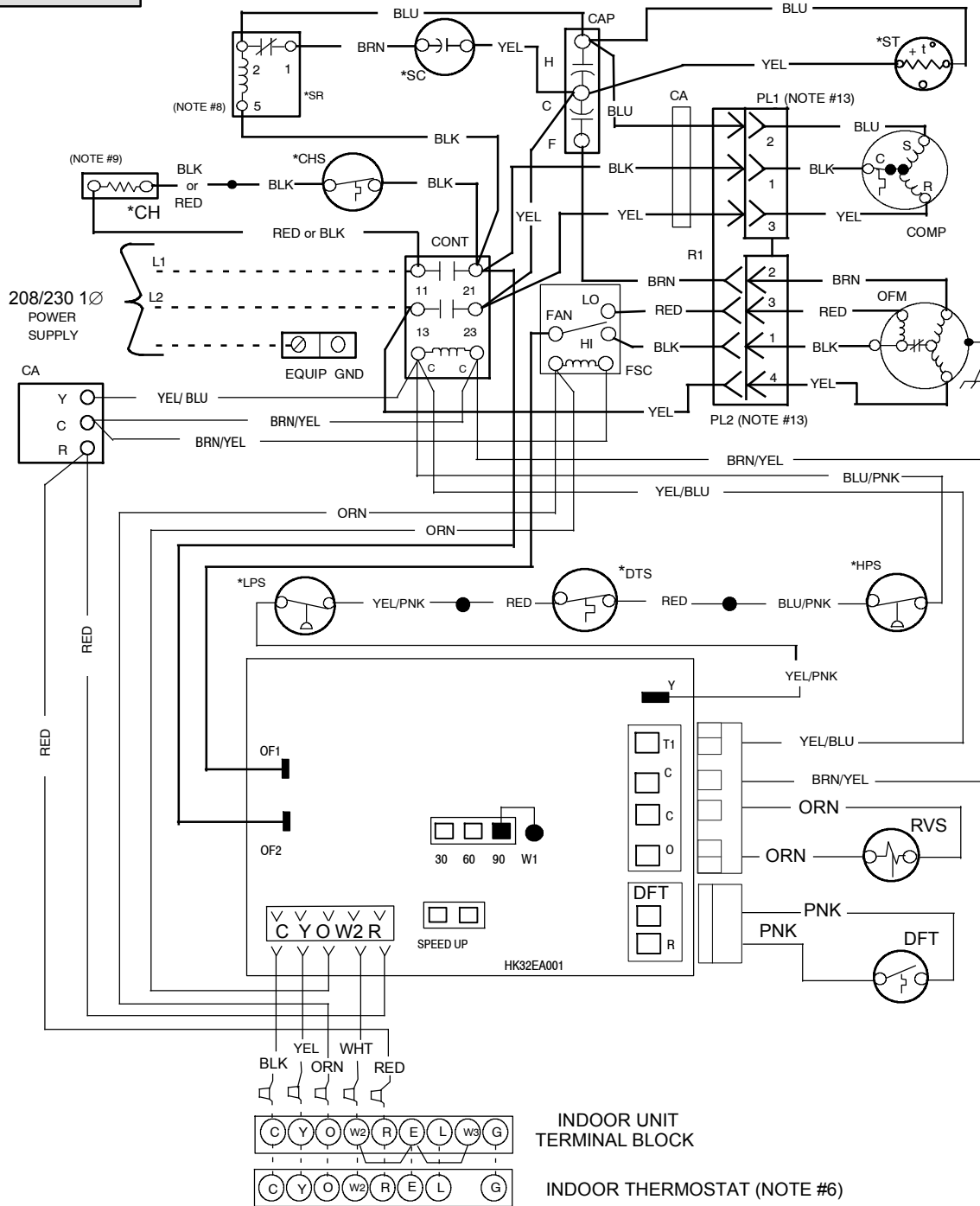
90 } FIELD SELECTED TIME PERIOD
 60 } BETWEEN DEFROST CYCLES (MINUTES)
 30 }

SPEED JUMPERED TEST PINS (USE METAL OBJECT), FIELD SPEED-UP CYCLE
 UP

HEAT CYCLE: 90 MIN. ACCELERATED TO 21 SEC.
 60 MIN. ACCELERATED TO 14 SEC.
 30 MIN. ACCELERATED TO 7 SEC.
 DEFROST CYCLE: 10 MIN. ACCELERATED TO 2 SEC.

Model Size 60

CONNECTION DIAGRAM



LEGEND

- FACTORY POWER WIRING
- FACTORY CONTROL WIRING
- - - FIELD CONTROL WIRING
- - - FIELD POWER WIRING
- ▭ CONDUCTOR ON CIRCUIT BOARD
- COMPONENT CONNECTION
- ⊕ FIELD SPLICE
- JUNCTION
- ⊔ PLUG RECEPTACLE
- CA COMFORT ALERT
- CONT CONTACTOR
- CAP CAPACITOR (DUAL RUN)
- *CH CRANKCASE HEATER
- *CHS CRANKCASE HEATER SWITCH
- *MAY BE FACTORY INSTALLED

- COMP COMPRESSOR
- DFT DEFROST THERMOSTAT
- DR DEFROST RELAY AND CIRCUITRY
- *DTS DISCHARGE TEMP SWITCH
- FSC FAN SPEED CONTROL
- *HPS HIGH PRESSURE SWITCH
- *LLS LIQ LINE SOLENOID VALVE
- *LPS LOW PRESSURE SWITCH
- OFM OUTDOOR FAN MOTOR
- PL1 COMPRESSOR PLUG
- PL2 OUTDOOR FAN PLUG
- R1 RECEPTACLE
- RVS REVERSING VALVE SOLENOID
- *SC START CAPACITOR
- *SR START RELAY
- *ST START THERMISTOR

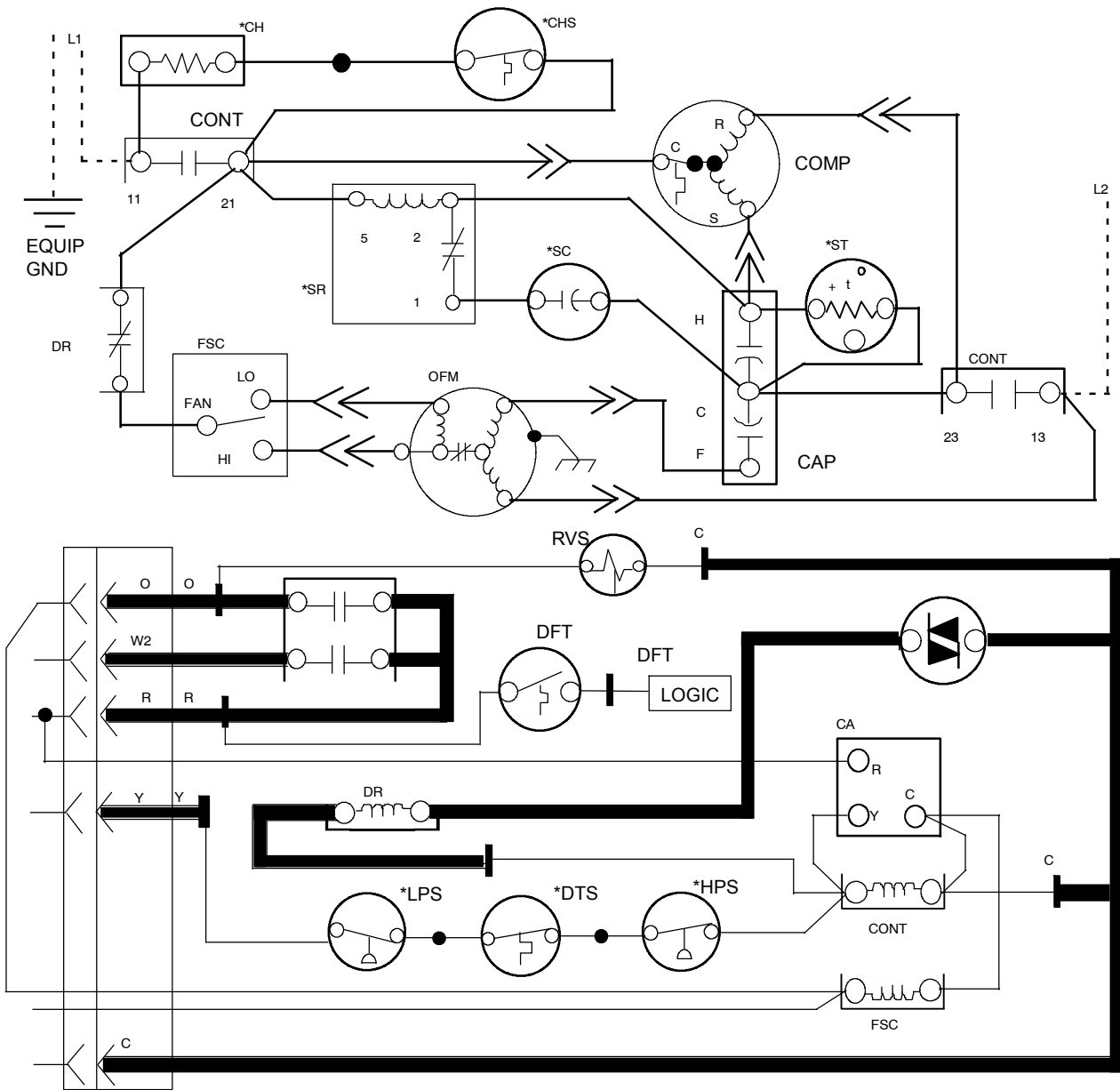
NOTES:

1. Symbols are electrical representation only.
2. Compressor and fan motor furnished with inherent thermal protection.
3. To be wired in accordance with National Electric N.E.C. and local codes.
4. N.E.C. class 2, 24 V circuit, min. 40 VA required, 60 VA on units installed with LLS.
5. Use copper conductors only. Use conductors suitable for at least 75°C (167°F).
6. Must use thermostat and sub-base as stated in pre-sale literature.
7. If indoor section has a transformer with a grounded secondary, connect the grounded side to the BRN/YEL lead.
8. When start relay and start capacitor are installed, start thermistor is not used.
9. If any of the original wire, as supplied, must be replaced, use the same or equivalent wire.
10. Check all electrical connections inside control box for tightness.
11. Do not attempt to operate unit until service valves have been opened.
12. Do not rapid cycle compressor. Compressor must be off 3 minutes to allow pressures to equalize between high and low side before starting.
13. Not for interrupting current.

330751-102 REV. E

Model Size: 60

SCHEMATIC DIAGRAM (LADDER FORM)



90 } FIELD SELECTED TIME PERIOD
 60 } BETWEEN DEFROST CYCLES (MINUTES)
 30 }

SPEED JUMPERED TEST PINS (USE METAL OBJECT), FIELD SPEED-UP CYCLE
 UP

HEAT CYCLE: 90 MIN. ACCELERATED TO 21 SEC.
 60 MIN. ACCELERATED TO 14 SEC.
 30 MIN. ACCELERATED TO 7 SEC.
 DEFROST CYCLE: 10 MIN. ACCELERATED TO 2 SEC.

Measured Liquid Pressure (psig)	Rating Plate (required) Subcooling Temperature ° F (° C)											
	° F 6	(° C) 3	° F 8	(° C) 4	° F 10	(° C) 6	° F 12	(° C) 7	F 14	(° C) 8	F 16	(° C) 9
	R-410A Required Liquid Line Temperature ° F (° C)											
251	78	26	76	24	74	23	72	22	70	21	68	20
259	80	27	78	26	76	24	74	23	72	22	70	21
266	82	28	80	27	78	26	76	24	74	23	72	22
274	84	29	82	28	80	27	78	26	76	24	74	23
283	86	30	84	29	82	28	80	27	78	26	76	24
291	88	31	86	30	84	29	82	28	80	27	78	26
299	90	32	88	31	86	30	84	29	82	28	80	27
308	92	33	90	32	88	31	86	30	84	29	82	28
317	94	34	92	33	90	32	88	31	86	30	84	29
326	96	36	94	34	92	33	90	32	88	31	86	30
335	98	37	96	36	94	34	92	33	90	32	88	31
345	100	38	98	37	96	36	94	34	92	33	90	32
364	104	40	102	39	100	38	98	37	96	36	94	34
374	106	41	104	40	102	39	100	38	98	37	96	36
384	108	42	106	41	104	40	102	39	100	38	98	37
395	110	43	108	42	106	41	104	40	102	39	100	38
406	112	44	110	43	108	42	106	41	104	40	102	39
416	114	46	112	44	110	43	108	42	106	41	104	40
427	116	47	114	46	112	44	110	43	108	42	106	41
439	118	48	116	47	114	46	112	44	110	43	108	42
450	120	49	118	48	116	47	114	46	112	44	110	43
462	122	50	120	49	118	48	116	47	114	46	112	44
474	124	51	122	50	120	49	118	48	116	47	114	46

MULTIPLYING FACTORS

(Refer to pages 7-14)

- † Total capacities are net (I.D. blower heat subtracted) system capacities based on 25 foot (7.62m) line set. If additional tubing length and/or indoor unit is located above outdoor unit, a slight variation in capacity may occur.
- †† At TVA rating indoor condition (75° F db, 63° F wb), all other indoor air temperatures are at 80° F db. If additional tubing length and/or indoor unit is located above outdoor unit, a slight variation in capacity may occur.
- * System amps are total of indoor and outdoor amps.
- ‡ Chart data is for 80° F indoor dry bulb. For indoor db temperatures other than 80° F, measure Indoor db and Indoor CFM, and plug these into the formula below. Measure outdoor db and indoor wet bulb, apply these to the chart above, find MBh and S/T, and plug these into the formula below. (Note: if indoor db is the only thing changing, total capacity, MBh, stays the same.)

$$\text{Sensible Capacity at Indoor db LOWER than } 80^{\circ}\text{ F} = (\text{MBh} \times \text{S/T}) - \left(\frac{(\text{80} - \text{Indoor db}) \times 835 \times \text{Indoor CFM}}{1000} \right)$$

$$\text{Sensible Capacity at Indoor db HIGHER than } 80^{\circ}\text{ F} = (\text{MBh} \times \text{S/T}) + \left(\frac{(\text{Indoor db} - 80) \times 835 \times \text{Indoor CFM}}{1000} \right)$$

COOLING		18 Size Outdoor With FXM4X18**** Indoor Cooling																									
		85					95					105					115										
CFM		Entering Indoor Temperature - Degrees F, Wet Bulb																									
		72	67	63††	62	57	72	67	63††	62	57	72	67	63††	62	57	72	67	63††	62	57						
525		MBh†	21.38	19.37	17.92	17.54	16.80	20.34	18.43	17.05	16.69	16.15	19.25	17.43	16.12	15.79	15.45	18.10	16.38	15.14	14.85	14.70	16.88	15.26	14.10	13.91	13.89
		S/T†	0.52	0.70	0.73	0.91	1.00	0.53	0.71	0.74	0.93	1.00	0.53	0.73	0.76	0.95	1.00	0.54	0.75	0.78	0.98	1.00	0.56	0.77	0.80	1.00	1.00
		AMPS*	4.77	4.78	4.79	4.80	4.80	5.45	5.44	5.44	5.44	5.44	6.17	6.15	6.13	6.13	6.13	6.95	6.92	6.90	6.89	6.89	7.83	7.78	7.76	7.76	7.76
		HI PR	268	266	264	263	311	308	306	306	305	357	354	352	351	350	407	404	401	401	400	462	459	456	455	455	455
		LO PR	157	143	133	131	126	159	146	135	133	129	162	148	138	136	133	164	150	140	138	137	167	153	143	141	141
600		MBh†	21.87	19.84	18.37	18.01	17.61	20.79	18.85	17.45	17.13	16.90	19.64	17.80	16.48	16.21	16.15	18.44	16.70	15.45	15.36	15.34	17.17	15.54	14.37	14.49	14.47
		S/T†	0.53	0.73	0.75	0.95	1.00	0.54	0.74	0.77	0.97	1.00	0.55	0.76	0.79	0.99	1.00	0.56	0.79	0.81	1.00	1.00	0.58	0.82	0.84	1.00	1.00
		AMPS*	4.81	4.82	4.83	4.83	4.84	5.50	5.49	5.48	5.48	5.48	6.22	6.19	6.18	6.17	6.17	7.00	6.96	6.94	6.94	6.94	7.88	7.83	7.81	7.81	7.81
		HI PR	269	267	265	265	264	312	309	307	306	306	358	355	352	352	352	408	405	402	402	402	463	459	457	457	457
		LO PR	160	147	137	135	132	163	149	139	137	135	165	151	141	139	139	168	154	143	143	143	170	156	145	147	147
675		MBh†	22.26	20.21	18.73	18.42	18.29	21.13	19.17	17.76	17.56	17.54	19.94	18.08	16.76	16.74	18.70	16.95	15.70	15.90	15.88	17.39	15.75	14.58	14.98	14.96	
		S/T†	0.55	0.76	0.78	0.99	1.00	0.56	0.78	0.80	1.00	1.00	0.57	0.80	0.83	1.00	1.00	0.59	0.83	0.85	1.00	1.00	0.60	0.86	0.88	1.00	1.00
		AMPS*	4.85	4.86	4.87	4.87	4.87	5.54	5.53	5.53	5.52	5.52	6.27	6.24	6.22	6.22	6.22	7.06	7.01	6.99	6.99	6.99	7.93	7.88	7.85	7.86	7.86
		HI PR	270	267	266	265	265	312	309	307	307	307	358	355	353	353	353	409	405	403	403	403	464	460	457	458	458
		LO PR	163	150	139	138	137	166	152	141	140	140	168	154	143	144	144	170	156	145	148	147	172	158	148	152	152

HEATING		18 Size Outdoor With FXM4X18**** Indoor Heating																																					
		-3					7					17					27					37					47					57					67		
CFM		Entering Indoor Temperature - Degrees F, Dry Bulb																																					
		65	70	75	65	70	75	65	70	75	65	70	75	65	70	75	65	70	75	65	70	75	65	70	75	65	70	75	65	70	75								
525		MBh†	5.13	4.84	4.50	7.34	7.04	6.70	9.76	9.43	9.09	12.54	12.28	11.98	15.15	14.86	14.56	18.08	17.74	17.39	21.28	20.89	20.50	24.14	23.84	23.52													
		T/R	9.50	8.90	8.30	13.60	13.00	12.30	18.00	17.40	16.70	23.20	22.60	22.00	28.00	27.40	26.80	33.40	32.70	32.00	39.30	38.50	37.70	44.60	44.00	43.30													
		AMPS*	4.44	4.64	4.84	4.67	4.88	5.10	4.89	5.12	5.35	5.15	5.41	5.67	5.41	5.68	5.96	5.74	6.02	6.30	6.12	6.43	6.74	6.42	6.75	7.08													
		HI PR	217	232	248	232	247	264	248	265	281	269	286	304	290	308	327	315	334	353	343	363	383	365	386	407													
		LO PR	39	40	40	50	51	51	63	63	64	77	77	78	94	94	94	112	112	113	132	133	133	149	151	152													
600		MBh†	5.22	4.92	4.59	7.46	7.15	6.82	9.91	9.58	9.24	12.68	12.44	12.15	15.35	15.05	14.75	18.35	18.00	17.65	21.43	21.15	20.82	24.11	23.87	23.58													
		T/R	8.40	7.90	7.40	12.10	11.50	11.00	16.00	15.50	14.90	20.50	20.10	19.60	24.80	24.30	23.80	29.70	29.10	28.40	34.70	34.10	33.50	39.00	38.50	38.00													
		AMPS*	4.44	4.64	4.85	4.65	4.86	5.08	4.85	5.08	5.31	5.07	5.33	5.59	5.30	5.57	5.85	5.60	5.88	6.16	5.88	6.19	6.52	6.16	6.48	6.81													
		HI PR	214	229	245	227	243	259	242	259	276	260	278	296	280	298	316	303	321	340	324	345	366	346	366	387													
		LO PR	39	40	40	50	51	51	63	63	64	77	77	78	93	94	94	112	112	113	130	132	133	146	148	150													
675		MBh†	5.30	4.99	4.66	7.55	7.25	6.92	10.04	9.71	9.36	12.80	12.56	12.29	15.51	15.21	14.91	18.56	18.21	17.86	21.37	21.20	20.95	23.93	23.75	23.53													
		T/R	7.60	7.20	6.70	10.90	10.40	9.90	14.40	13.90	13.40	18.40	18.00	17.60	22.30	21.80	21.30	26.70	26.10	25.60	30.70	30.40	30.00	34.40	34.10	33.70													
		AMPS*	4.46	4.65	4.86	4.64	4.86	5.08	4.82	5.05	5.29	5.02	5.27	5.54	5.23	5.49	5.77	5.50	5.78	6.06	5.71	6.02	6.34	5.97	6.29	6.61													
		HI PR	212	227	243	224	240	256	237	254	271	254	271	289	272	290	308	293	311	330	311	331	352	330	351	372													
		LO PR	39	40	40	50	51	51	63	63	63	77	77	78	93	94	94	111	112	112	128	130	131	143	145	147													

COOLING		24 Size Outdoor With FXM4X24**** Indoor Cooling																								
		Outdoor Ambient Temperature - Degrees F, Dry Bulb																								
		75					85					105					115									
CFM	Entering Indoor Temperature - Degrees F, Wet Bulb																									
	72	67	63†	62	57	72	67	63†	62	57	72	67	63†	62	57	72	67	63†	62	57						
	MBH†	28.25	25.63	23.76	23.28	22.30	27.04	24.52	22.71	22.25	21.50	25.76	23.33	21.59	21.17	20.65	24.38	22.05	20.38	20.00	19.72	22.88	20.66	19.07	18.77	18.70
	S/T†	0.52	0.70	0.73	0.91	1.00	0.53	0.71	0.74	0.93	1.00	0.53	0.73	0.75	0.95	1.00	0.54	0.74	0.77	0.97	1.00	0.55	0.77	0.79	1.00	1.00
700	AMPS*	6.54	6.42	6.37	6.36	6.35	7.39	7.26	7.20	7.20	7.18	8.31	8.18	8.12	8.11	8.11	9.33	9.20	9.15	9.14	9.14	10.48	10.36	10.31	10.31	10.31
	HI PR	266	264	262	262	261	308	306	304	303	302	354	351	349	348	348	405	401	399	398	398	461	457	454	454	453
	LO PR	153	140	130	128	123	155	142	132	130	126	157	144	134	132	129	160	146	136	134	133	162	149	139	137	137
	MBH†	28.87	26.21	24.31	23.85	23.30	27.60	25.04	23.21	22.80	22.45	26.26	23.80	22.04	21.69	21.53	24.83	22.47	20.78	20.58	20.55	23.27	21.02	19.42	19.49	19.46
	S/T†	0.53	0.73	0.75	0.95	1.00	0.54	0.74	0.77	0.97	1.00	0.55	0.76	0.79	0.99	1.00	0.56	0.78	0.81	1.00	1.00	0.57	0.81	0.83	1.00	1.00
800	AMPS*	6.66	6.52	6.45	6.44	6.44	7.51	7.36	7.29	7.28	7.28	8.42	8.28	8.21	8.20	8.20	9.44	9.30	9.24	9.23	9.23	10.59	10.46	10.40	10.40	10.40
	HI PR	267	264	263	262	262	309	306	304	304	304	355	352	350	349	349	406	402	400	399	399	461	457	454	454	454
	LO PR	156	143	133	131	128	158	145	135	133	131	160	147	137	135	134	163	149	139	138	138	165	152	141	142	142
	MBH†	29.34	26.65	24.73	24.35	24.14	28.03	25.44	23.59	23.29	23.24	26.65	24.16	22.39	22.31	22.28	25.17	22.79	21.09	21.27	21.24	23.56	21.30	19.69	20.12	20.10
	S/T†	0.55	0.76	0.78	0.99	1.00	0.56	0.77	0.80	1.00	1.00	0.57	0.79	0.82	1.00	1.00	0.58	0.82	0.84	1.00	1.00	0.59	0.85	0.87	1.00	1.00
900	AMPS*	6.78	6.62	6.54	6.53	6.53	7.62	7.46	7.38	7.37	7.37	8.54	8.38	8.30	8.30	8.30	9.55	9.40	9.32	9.33	9.33	10.69	10.55	10.48	10.50	10.50
	HI PR	267	265	263	263	263	310	307	305	305	304	356	353	350	350	350	407	403	400	401	400	462	458	455	456	456
	LO PR	159	146	136	134	133	161	148	137	136	136	163	149	139	139	139	165	152	141	143	143	168	154	144	147	147

HEATING		24 Size Outdoor With FXM4X24**** Indoor Heating																							
		Outdoor Ambient Temperature - Degrees F, Dry Bulb																							
		-3					17					27					37								
CFM	Entering Indoor Temperature - Degrees F, Dry Bulb																								
	65	70	75	65	70	75	65	70	75	65	70	75	65	70	75	65	70	75	65	70	75				
	MBH†	8.38	7.98	7.57	11.07	10.69	10.29	14.28	13.97	13.23	17.14	16.84	16.55	20.39	20.05	19.70	24.08	23.68	23.28	28.29	27.81	27.36	32.83	32.46	31.99
	T/R	12.00	11.40	10.80	15.90	15.30	14.70	20.50	20.00	18.90	24.60	24.10	23.70	29.30	28.70	28.20	34.60	33.90	33.30	40.60	39.90	39.10	47.10	46.50	45.70
700	AMPS*	5.92	6.19	6.49	6.28	6.58	6.90	6.59	6.93	7.22	6.82	7.17	7.54	7.09	7.46	7.84	7.49	7.87	8.27	8.09	8.48	8.88	8.80	9.26	9.73
	HI PR	225	240	256	240	256	272	260	277	291	279	296	315	302	320	339	330	349	368	365	384	404	399	422	446
	LO PR	38	38	38	49	49	50	62	62	62	76	76	77	93	93	93	111	111	112	131	132	132	152	153	154
	MBH†	8.52	8.12	7.71	11.24	10.86	10.46	14.45	14.15	13.44	17.34	17.04	16.74	20.64	20.30	19.94	24.41	24.00	23.59	28.68	28.21	27.76	32.90	32.56	32.27
	T/R	10.70	10.20	9.60	14.10	13.60	13.10	18.20	17.70	16.80	21.80	21.40	20.90	25.90	25.40	24.90	30.70	30.10	29.50	36.00	35.40	34.70	41.30	40.80	40.40
800	AMPS*	5.93	6.21	6.50	6.26	6.56	6.88	6.53	6.87	7.16	6.72	7.07	7.44	6.96	7.32	7.70	7.33	7.69	8.08	7.88	8.26	8.66	8.43	8.86	9.33
	HI PR	222	237	253	235	251	268	253	270	285	270	288	306	292	310	329	318	337	356	350	369	389	377	399	422
	LO PR	38	38	38	49	49	50	61	62	62	76	76	77	92	93	93	111	111	112	131	131	132	150	151	153
	MBH†	8.64	8.24	7.82	11.39	11.00	10.60	14.59	14.30	13.66	17.50	17.21	16.91	20.85	20.50	20.15	24.67	24.26	23.85	28.96	28.53	28.05	32.79	32.53	32.25
	T/R	9.60	9.20	8.70	12.70	12.30	11.80	16.30	15.90	15.20	19.50	19.20	18.80	23.30	22.90	22.40	27.50	27.00	26.50	32.30	31.80	31.20	36.60	36.30	35.90
900	AMPS*	5.95	6.23	6.53	6.26	6.56	6.88	6.50	6.84	7.14	6.66	7.01	7.38	6.87	7.23	7.61	7.22	7.58	7.96	7.71	8.12	8.51	8.19	8.61	9.05
	HI PR	219	234	250	232	248	264	247	264	280	264	281	299	284	302	320	309	327	346	337	358	378	362	383	405
	LO PR	38	38	38	49	49	49	61	62	62	76	76	76	92	93	93	111	111	111	130	131	132	148	149	151

COOLING		30 Size Outdoor With FXM4X30**** Indoor Cooling																		
		85								95								105	115	
		72	67	63††	62	57	72	67	63††	62	57	72	67	63††	62	57	72	67	63††	62
CFM	34.40	31.23	28.95	28.38	27.40	32.81	29.80	27.62	27.09	26.39	31.16	28.29	26.22	25.75	25.32	29.42	26.69	24.73	24.33	24.15
MBh†	0.52	0.70	0.72	0.91	1.00	0.52	0.71	0.74	0.93	1.00	0.53	0.73	0.75	0.95	1.00	0.54	0.75	0.77	0.98	1.00
S/T†	7.97	7.91	7.88	7.87	7.86	8.92	8.85	8.81	8.81	8.80	9.97	9.90	9.85	9.85	9.84	11.15	11.08	11.05	11.04	11.04
AMPS*	271	268	266	266	265	314	310	308	307	307	360	356	354	353	352	411	407	404	403	403
HI PR	156	143	133	130	126	158	145	135	133	129	160	147	137	135	133	163	149	139	137	136
LO PR	35.08	31.88	29.57	29.06	28.58	33.43	30.37	28.18	27.73	27.49	31.71	28.80	26.71	26.39	26.34	29.89	27.13	25.16	25.13	25.10
1000	0.53	0.73	0.75	0.95	1.00	0.54	0.74	0.77	0.97	1.00	0.55	0.76	0.79	1.00	1.00	0.56	0.79	0.81	1.00	1.00
MBh†	8.09	8.03	7.99	7.99	7.98	9.05	8.97	8.93	8.92	8.92	10.09	10.02	9.97	9.97	9.96	11.27	11.20	11.16	11.16	11.16
S/T†	272	269	267	266	266	315	311	309	308	308	361	357	354	354	354	412	408	405	405	405
AMPS*	159	146	136	134	132	161	148	138	136	135	164	150	140	138	138	166	152	142	142	142
HI PR	35.61	32.37	30.05	29.68	29.56	33.89	30.81	28.60	28.45	28.41	32.11	29.18	27.09	27.22	27.19	30.24	27.47	25.49	25.91	25.88
LO PR	0.55	0.76	0.78	0.99	1.00	0.56	0.78	0.80	1.00	1.00	0.57	0.80	0.82	1.00	1.00	0.58	0.82	0.85	1.00	1.00
1125	8.21	8.14	8.11	8.10	8.10	9.17	9.09	9.04	9.04	9.04	10.22	10.14	10.09	10.09	10.09	11.39	11.32	11.28	11.28	11.28
MBh†	272	269	267	267	267	315	312	309	309	309	362	358	355	355	355	413	409	406	406	406
S/T†	162	148	138	137	137	164	150	140	140	140	166	152	142	143	143	168	154	144	147	146
AMPS*																				
HI PR																				
LO PR																				

HEATING		30 Size Outdoor With FXM4X30**** Indoor Heating																			
		-3								17								37	47	57	67
		65	70	75	65	70	75	65	70	75	65	70	75	65	70	75	65	70	75	65	70
CFM	9.76	9.22	8.65	13.14	12.63	12.09	16.80	16.30	15.76	21.11	20.75	20.33	25.07	24.68	24.28	29.50	29.04	28.57	34.45	33.93	33.39
MBh†	10.50	9.90	9.20	14.10	13.50	12.90	18.00	17.40	16.80	22.60	22.20	21.70	26.90	26.40	25.90	31.60	31.00	30.50	36.90	36.30	35.60
T/R	6.92	7.24	7.57	7.23	7.56	7.91	7.54	7.90	8.28	7.94	8.34	8.75	8.32	8.73	9.17	8.78	9.20	9.66	9.29	9.78	10.28
AMPS*	221	236	251	235	250	267	251	267	284	272	290	308	293	311	330	317	336	356	344	366	387
HI PR	37	38	38	48	48	49	60	61	61	74	75	75	90	91	91	108	109	109	127	128	129
LO PR	9.94	9.40	8.83	13.35	12.84	12.30	17.06	16.55	16.02	21.33	20.99	20.59	25.37	24.96	24.56	29.87	29.40	28.93	34.61	34.27	33.82
1000	9.30	8.80	8.20	12.50	12.00	11.50	16.00	15.50	14.90	20.00	19.60	19.20	23.80	23.30	22.90	28.00	27.50	27.00	32.40	32.10	31.60
MBh†	6.96	7.28	7.61	7.24	7.57	7.93	7.52	7.88	8.26	7.87	8.27	8.67	8.20	8.62	9.05	8.62	9.05	9.49	9.01	9.48	9.97
T/R	218	233	248	230	246	263	245	261	278	264	282	300	283	301	320	306	325	344	327	348	369
AMPS*	37	38	38	48	48	49	60	61	61	74	75	75	90	91	91	108	108	109	126	127	128
HI PR	10.10	9.56	8.98	13.53	13.03	12.48	17.28	16.77	16.23	21.54	21.18	20.81	25.61	25.20	24.80	30.18	29.70	29.22	34.65	34.31	33.98
LO PR	8.40	7.90	7.40	11.30	10.80	10.40	14.40	13.90	13.50	17.90	17.60	17.30	21.30	21.00	20.60	25.10	24.70	24.20	28.90	28.50	28.20
1125	7.02	7.34	7.67	7.27	7.61	7.96	7.52	7.89	8.26	7.84	8.23	8.64	8.14	8.55	8.97	8.53	8.95	9.39	8.84	9.29	9.77
MBh†	215	231	246	227	243	260	240	257	274	258	275	294	276	294	313	297	316	335	315	335	356
T/R	37	38	38	48	48	49	60	61	61	74	74	75	90	90	91	108	108	108	124	125	127
AMPS*																					
HI PR																					
LO PR																					

COOLING		36 Size Outdoor With FXM4X36**** Indoor Cooling																			
		Outdoor Ambient Temperature - Degrees F, Dry Bulb																			
		85					95					105					115				
CFM	72	67	63††	62	57	72	67	63††	62	57	72	67	63††	62	57	72	67	63††	62	57	
1050	MBh†	41.59	37.90	35.22	34.53	33.22	39.75	36.20	33.62	32.97	32.01	37.77	34.37	31.90	31.31	30.68	35.67	32.42	30.07	29.55	29.25
	S/T†	0.53	0.72	0.74	0.93	1.00	0.54	0.73	0.76	0.95	1.00	0.54	0.74	0.77	0.97	1.00	0.55	0.76	0.79	1.00	1.00
	AMPS*	9.76	9.68	9.63	9.62	9.60	10.90	10.80	10.73	10.72	10.70	12.14	12.03	11.96	11.94	11.92	13.54	13.42	13.35	13.33	13.32
	HI PR	273	270	268	267	266	316	312	310	309	308	363	359	356	355	354	415	410	406	405	405
	LO PR	155	142	131	129	125	157	144	133	131	128	159	146	136	134	131	162	148	138	136	135
1200	MBh†	42.40	38.68	35.97	35.34	34.65	40.49	36.90	34.30	33.74	33.35	38.44	35.00	32.52	32.07	31.93	36.24	32.97	30.61	30.45	30.41
	S/T†	0.55	0.75	0.77	0.97	1.00	0.55	0.76	0.79	0.99	1.00	0.56	0.78	0.81	0.99	1.00	0.57	0.80	0.83	1.00	1.00
	AMPS*	9.91	9.82	9.77	9.76	9.75	11.06	10.94	10.87	10.86	10.85	12.30	12.17	12.10	12.09	12.08	13.69	13.56	13.49	13.48	13.48
	HI PR	274	271	269	268	268	317	313	311	310	310	364	360	357	356	356	416	411	407	407	407
	LO PR	158	145	135	133	130	160	147	137	135	133	163	149	139	137	137	165	151	141	141	140
1350	MBh†	43.03	39.27	36.55	36.05	35.84	41.06	37.43	34.82	34.51	34.46	38.93	35.47	32.98	33.01	32.97	36.68	33.38	31.02	31.41	31.37
	S/T†	0.56	0.78	0.80	1.01	1.00	0.57	0.80	0.82	1.00	1.00	0.58	0.82	0.84	1.00	1.00	0.60	0.84	0.87	1.00	1.00
	AMPS*	10.05	9.96	9.90	9.90	9.89	11.20	11.08	11.01	11.00	11.00	12.44	12.32	12.24	12.24	12.24	13.83	13.71	13.63	13.64	13.64
	HI PR	275	271	269	269	269	318	314	311	311	311	365	361	357	357	357	416	412	408	409	409
	LO PR	161	148	137	136	135	163	149	139	138	138	165	151	141	142	141	167	153	143	145	145

HEATING		36 Size Outdoor With FXM4X36**** Indoor Heating																																
		Outdoor Ambient Temperature - Degrees F, Dry Bulb																																
		-3					7					17					27				37				47				57				67	
CFM	65	70	75	80	85	70	75	80	85	90	75	80	85	90	95	80	85	90	95	100														
1050	MBh†	11.44	10.73	9.98	15.33	14.64	13.92	19.61	18.94	18.23	24.41	23.71	22.97	29.99	29.52	28.97	35.11	34.56	33.99	40.74	40.20													
	T/R	10.50	9.80	9.10	14.00	13.40	12.70	17.90	17.30	16.60	22.30	21.60	20.90	27.40	26.90	26.40	32.10	31.50	31.00	37.30	36.70													
	AMPS*	8.57	8.99	9.42	8.96	9.38	9.83	9.36	9.80	10.26	9.82	10.27	10.73	10.40	10.91	11.43	10.94	11.45	12.00	11.52	12.09													
	HI PR	219	234	249	233	248	264	249	265	281	267	284	301	291	310	328	315	333	353	339	360													
	LO PR	37	37	38	48	48	49	60	61	61	74	74	75	90	90	90	107	108	108	126	127													
1200	MBh†	11.66	10.95	10.20	15.60	14.91	14.18	19.93	19.26	18.55	24.85	24.10	23.37	30.35	29.87	29.35	35.57	35.00	34.43	41.14	40.60													
	T/R	9.30	8.70	8.10	12.50	11.90	11.30	16.00	15.40	14.80	19.90	19.30	18.60	24.30	23.90	23.40	28.50	28.00	27.40	32.90	32.40													
	AMPS*	8.62	9.04	9.47	8.97	9.40	9.84	9.33	9.77	10.23	9.75	10.20	10.66	10.26	10.76	11.28	10.74	11.25	11.78	11.19	11.74													
	HI PR	216	231	246	229	244	260	243	259	276	260	276	294	282	300	319	303	321	341	322	343													
	LO PR	37	37	38	48	48	49	60	60	61	74	74	75	89	90	90	107	107	108	125	126													
1350	MBh†	11.86	11.15	10.39	15.83	15.15	14.41	20.21	19.53	18.82	25.78	24.44	23.70	30.66	30.17	29.66	35.94	35.37	34.80	41.32	40.83													
	T/R	8.40	7.90	7.40	11.30	10.80	10.20	14.40	13.90	13.30	18.30	17.40	16.80	21.80	21.40	21.00	25.60	25.10	24.60	29.40	29.00													
	AMPS*	8.68	9.10	9.54	9.00	9.43	9.88	9.33	9.78	10.24	9.79	10.16	10.63	10.18	10.67	11.18	10.62	11.12	11.65	10.99	11.52													
	HI PR	214	229	244	226	241	257	239	255	272	256	271	288	274	292	311	294	312	332	310	330													
	LO PR	37	37	38	48	48	49	60	60	61	73	74	75	89	90	90	107	107	108	123	124													

COOLING		37 Size Outdoor With FXM4X36**A* Indoor Cooling																								
		85								95								105	115							
		72	67	63††	62	57	72	67	63††	62	57	72	67	63††	62	57	72	67	63††	62	57					
CFM	MBH†	42.31	38.38	35.52	34.85	33.47	40.50	36.70	33.94	33.32	32.27	38.57	34.92	32.27	31.70	30.99	36.51	33.01	30.46	29.98	29.60	34.30	30.95	28.53	28.19	28.09
	S/T†	0.51	0.68	0.71	0.89	1.00	0.51	0.70	0.72	0.91	1.00	0.52	0.71	0.74	0.93	1.00	0.53	0.73	0.76	0.95	1.00	0.54	0.75	0.78	1.00	1.00
1050	AMPS*	9.63	9.54	9.49	9.48	9.45	10.71	10.60	10.53	10.52	10.50	11.87	11.76	11.68	11.67	11.65	13.18	13.06	12.98	12.97	12.96	14.67	14.55	14.48	14.47	14.47
	HI PR	258	256	253	253	252	300	297	294	294	293	346	342	339	339	338	396	392	389	388	387	451	446	442	442	442
	LO PR	152	139	129	127	123	155	141	131	130	126	157	144	134	132	129	159	146	136	134	133	162	148	138	137	137
	MBH†	43.22	39.21	36.32	35.71	34.94	41.31	37.46	34.66	34.14	33.66	39.30	35.60	32.91	32.50	32.29	37.16	33.62	31.05	30.86	30.82	34.86	31.48	29.03	29.25	29.21
	S/T†	0.52	0.71	0.74	0.93	1.00	0.53	0.73	0.75	0.95	1.00	0.54	0.74	0.77	0.97	1.00	0.55	0.76	0.79	1.00	1.00	0.56	0.79	0.82	1.00	1.00
1200	AMPS*	9.79	9.69	9.63	9.62	9.61	10.86	10.75	10.67	10.66	10.65	12.03	11.91	11.82	11.81	11.81	13.33	13.21	13.13	13.12	13.12	14.81	14.69	14.62	14.63	14.63
	HI PR	259	256	254	254	253	301	298	295	295	294	347	343	340	340	339	397	393	389	389	389	452	447	443	444	444
	LO PR	156	143	133	131	128	158	145	134	133	131	160	147	136	135	135	162	149	139	138	138	165	151	141	142	142
	MBH†	43.89	39.85	36.92	36.47	36.18	41.93	38.03	35.22	34.89	34.82	39.86	36.12	33.42	33.42	33.38	37.65	34.07	31.48	31.87	31.82	35.29	31.88	29.42	30.17	30.13
	S/T†	0.54	0.74	0.77	0.96	1.00	0.54	0.76	0.78	1.00	1.00	0.55	0.78	0.80	1.00	1.00	0.57	0.80	0.83	1.00	1.00	0.58	0.83	0.85	1.00	1.00
1350	AMPS*	9.93	9.83	9.77	9.76	9.75	11.01	10.89	10.81	10.81	10.81	12.18	12.05	11.96	11.97	11.97	13.48	13.35	13.26	13.28	13.28	14.96	14.83	14.76	14.78	14.78
	HI PR	260	257	255	254	254	302	298	296	296	296	348	344	341	341	341	398	394	390	391	391	453	448	444	445	445
	LO PR	158	145	135	134	133	160	147	137	136	136	162	149	139	139	139	165	151	141	143	143	167	153	143	147	146

HEATING		37 Size Outdoor With FXM4X36**A* Indoor Heating																								
		-3								7								17	27	37	47	57	67			
		65	70	75	65	70	75	65	70	75	65	70	75	65	70	75	65	70	75	65	70	75	65	70	75	65
CFM	MBH†	11.79	11.03	10.22	15.82	15.09	14.31	20.29	19.57	18.81	25.91	24.68	23.79	30.74	30.19	29.65	36.13	35.49	34.86	42.15	41.43	40.73	48.98	48.14	47.31	47.31
	T/R	10.30	9.70	8.90	13.90	13.20	12.50	17.80	17.10	16.40	22.70	21.60	20.80	27.00	26.40	25.90	31.70	31.10	30.40	37.00	36.30	35.60	43.00	42.20	41.30	41.30
1050	AMPS*	9.23	9.66	10.11	9.64	10.09	10.55	10.08	10.54	11.01	10.65	11.05	11.53	11.15	11.67	12.22	11.74	12.28	12.84	12.47	13.01	13.59	13.35	13.91	14.50	14.50
	HI PR	220	234	249	233	249	264	249	265	282	271	285	302	291	310	329	316	334	354	344	363	383	376	396	416	416
	LO PR	35	35	35	46	46	46	58	58	59	72	72	72	87	88	88	105	105	105	124	124	125	145	145	146	146
	MBH†	11.99	11.27	10.46	16.09	15.39	14.60	20.62	19.92	19.16	26.26	25.70	24.24	31.15	30.59	30.03	36.64	36.00	35.35	42.77	42.06	41.33	49.85	48.95	48.09	48.09
	T/R	9.20	8.60	8.00	12.40	11.80	11.20	15.80	15.30	14.60	20.20	19.70	18.50	23.90	23.40	23.00	28.10	27.60	27.00	32.80	32.20	31.60	38.30	37.50	36.80	36.80
1200	AMPS*	9.27	9.71	10.17	9.65	10.10	10.57	10.04	10.51	10.98	10.55	11.04	11.44	10.99	11.51	12.05	11.53	12.07	12.62	12.21	12.74	13.29	13.03	13.57	14.15	14.15
	HI PR	216	231	247	229	244	260	243	259	276	263	280	295	281	300	319	303	322	342	330	349	368	360	379	399	399
	LO PR	35	35	35	46	46	46	58	58	58	72	72	72	87	87	88	104	105	105	123	124	124	145	145	145	145
	MBH†	12.21	11.49	10.68	16.34	15.63	14.86	20.93	20.22	19.46	26.54	26.00	24.65	31.49	30.94	30.37	37.06	36.41	35.76	43.31	42.56	41.83	50.54	49.62	48.72	48.72
	T/R	8.30	7.80	7.30	11.20	10.60	10.10	14.30	13.80	13.20	18.10	17.70	16.70	21.50	21.10	20.60	25.30	24.80	24.30	29.60	29.00	28.40	34.50	33.80	33.10	33.10
1350	AMPS*	9.33	9.78	10.24	9.68	10.13	10.61	10.04	10.51	10.99	10.50	10.99	11.41	10.91	11.42	11.96	11.40	11.93	12.48	12.04	12.57	13.11	12.82	13.35	13.92	13.92
	HI PR	214	229	245	225	241	257	239	255	272	256	274	289	274	292	311	294	313	332	319	338	357	347	366	386	386
	LO PR	35	35	35	46	46	46	58	58	58	72	72	72	87	87	88	104	105	105	123	124	124	145	145	145	145

COOLING		42 Size Outdoor With FXM4X42**** Indoor Cooling																																	
		Outdoor Ambient Temperature - Degrees F, Dry Bulb																																	
		85									105									115															
CFM		Entering Indoor Temperature - Degrees F, Wet Bulb																																	
		72	67	63††	62	57	72	67	63††	62	57	72	67	63††	62	57	72	67	63††	62	57														
	MBh†	50.43	45.65	42.23	41.36	39.50	48.01	43.47	40.23	39.42	38.01	45.51	41.22	38.16	37.42	36.44	42.89	38.86	35.97	35.33	34.77														
	S/T†	0.51	0.69	0.71	0.89	1.00	0.52	0.70	0.73	0.91	1.00	0.52	0.71	0.74	0.93	1.00	0.53	0.73	0.76	0.96	1.00														
1225	AMPS*	10.72	11.27	11.60	11.67	11.81	12.45	12.85	13.09	13.13	13.21	14.19	14.48	14.63	14.65	14.68	16.02	16.20	16.28	16.28	16.29														
	HI PR	270	266	263	263	261	312	308	304	304	302	358	353	350	349	348	408	403	399	398	398														
	LO PR	151	139	129	127	121	154	141	131	129	125	156	143	133	131	128	159	146	136	134	132														
	MBh†	51.53	46.66	43.19	42.36	41.23	48.98	44.38	41.08	40.35	39.62	46.35	42.00	38.90	38.28	37.93	43.62	39.54	36.62	36.20	36.14														
	S/T†	0.52	0.71	0.74	0.93	1.00	0.53	0.73	0.76	0.95	1.00	0.54	0.75	0.77	0.98	1.00	0.55	0.77	0.79	1.00	1.00														
1400	AMPS*	10.74	11.32	11.69	11.75	11.85	12.51	12.95	13.21	13.25	13.29	14.29	14.61	14.78	14.80	14.81	16.15	16.35	16.44	16.45	16.45														
	HI PR	271	267	264	264	263	313	309	305	305	304	359	354	351	350	350	409	404	400	400	400														
	LO PR	155	142	132	130	127	157	144	134	132	130	160	146	136	135	134	162	149	138	138	137														
	MBh†	52.37	47.45	43.93	43.23	42.69	49.72	45.05	41.73	41.18	40.98	47.00	42.59	39.46	39.23	39.18	44.15	40.05	37.10	37.32	37.28														
	S/T†	0.54	0.74	0.77	0.97	1.00	0.55	0.76	0.78	0.99	1.00	0.56	0.78	0.81	1.00	1.00	0.57	0.80	0.83	1.00	1.00														
1575	AMPS*	10.79	11.40	11.79	11.84	11.89	12.59	13.06	13.33	13.36	13.38	14.41	14.75	14.93	14.93	14.94	16.29	16.51	16.62	16.60	16.61														
	HI PR	272	268	265	264	264	314	310	306	306	306	360	355	351	351	351	410	405	401	401	401														
	LO PR	158	145	135	133	132	160	147	137	135	135	162	149	139	138	138	165	151	141	142	142														

HEATING		42 Size Outdoor With FXM4X42**** Indoor Heating																																	
		Outdoor Ambient Temperature - Degrees F, Dry Bulb																																	
		17									27									37															
CFM		Entering Indoor Temperature - Degrees F, Dry Bulb																																	
		65	70	75	65	70	75	65	70	75	65	70	75	65	70	75	65	70	75	65	70	75													
	MBh†	15.59	14.91	14.21	20.20	19.56	18.88	25.92	24.56	23.85	30.84	30.36	29.87	36.17	35.61	35.07	42.10	41.46	40.82	48.79	48.00	47.26													
	T/R	12.40	11.80	11.20	16.10	15.50	14.90	20.60	19.50	18.90	24.50	24.10	23.60	28.70	28.20	27.70	33.50	32.90	32.30	38.80	38.10	37.40													
1225	AMPS*	9.95	10.53	11.15	10.66	11.20	11.77	11.54	11.95	12.48	12.31	12.83	13.38	13.03	13.56	14.13	13.73	14.30	14.90	14.45	15.06	15.70													
	HI PR	228	243	259	243	259	275	263	277	294	281	299	318	302	321	340	327	346	366	358	377	398													
	LO PR	35	36	36	46	46	47	58	58	59	72	72	72	87	88	88	105	105	105	123	124	145													
	MBh†	15.85	15.19	14.48	20.53	19.88	19.21	26.26	24.93	24.24	31.19	30.71	30.24	36.63	36.05	35.49	42.66	42.00	41.35	49.49	48.69	47.91													
	T/R	11.00	10.50	10.00	14.30	13.80	13.30	18.30	17.30	16.80	21.70	21.30	20.90	25.50	25.00	24.60	29.70	29.10	28.60	34.40	33.80	33.20													
1400	AMPS*	9.99	10.58	11.20	10.68	11.22	11.79	11.53	11.93	12.46	12.25	12.76	13.31	12.93	13.45	14.01	13.55	14.12	14.71	14.18	14.80	15.43													
	HI PR	225	240	256	238	254	271	256	270	287	272	290	309	292	310	330	315	334	354	344	363	383													
	LO PR	35	35	36	46	46	46	58	58	59	72	72	72	87	88	88	104	105	105	123	124	144													
	MBh†	16.10	15.44	14.73	20.82	20.17	19.49	26.55	25.36	24.58	31.50	31.04	30.53	37.01	36.43	35.86	43.12	42.45	41.79	50.13	49.26	48.46													
	T/R	10.00	9.50	9.10	12.90	12.40	12.00	16.40	15.60	15.10	19.50	19.10	18.80	22.90	22.50	22.10	26.60	26.20	25.70	31.00	30.40	29.80													
1575	AMPS*	10.06	10.66	11.28	10.73	11.27	11.84	11.55	11.97	12.49	12.24	12.76	13.29	12.88	13.41	13.96	13.46	14.02	14.61	13.96	14.64	15.27													
	HI PR	222	237	253	234	250	267	250	265	282	266	284	302	284	302	321	306	325	344	331	352	372													
	LO PR	35	35	36	46	46	46	58	58	59	72	72	72	87	87	88	104	104	105	123	123	144													

COOLING		48 Size Outdoor With FXM4X48**** Indoor Cooling																			
		85								95								105	115		
		Entering Indoor Temperature - Degrees F, Dry Bulb																			
CFM	72	67	63††	62	57	72	67	63††	62	57	72	67	63††	62	57	72	67	63††	62	57	
1400	MBH†	56.41	51.26	47.52	46.57	44.64	53.61	48.73	45.19	44.30	42.89	50.78	46.17	42.82	42.03	41.08	47.89	43.54	40.39	39.68	39.20
	S/T†	0.52	0.70	0.72	0.91	1.00	0.52	0.71	0.74	0.93	1.00	0.53	0.73	0.75	0.95	1.00	0.54	0.75	0.77	0.98	1.00
	AMPS*	12.48	12.61	12.70	12.71	12.75	14.34	14.38	14.38	14.37	14.37	16.18	16.13	16.07	16.05	16.03	18.07	17.96	17.85	17.83	17.81
	HI PR	273	269	266	265	264	316	311	308	307	305	362	357	353	353	351	413	407	403	402	402
	LO PR	154	140	131	128	123	156	143	133	131	127	159	145	135	133	130	161	148	137	135	134
1600	MBH†	57.57	52.36	48.57	47.68	46.58	54.62	49.68	46.11	45.32	44.69	51.67	47.00	43.64	42.99	42.74	48.64	44.26	41.09	40.78	40.72
	S/T†	0.53	0.73	0.75	0.95	1.00	0.54	0.74	0.77	0.97	1.00	0.55	0.76	0.79	1.00	1.00	0.56	0.78	0.81	1.00	1.00
	AMPS*	12.64	12.79	12.88	12.89	12.91	14.53	14.58	14.58	14.58	14.58	16.40	16.35	16.29	16.28	16.28	18.30	18.19	18.09	18.08	18.08
	HI PR	274	270	267	266	265	317	312	309	308	307	363	358	354	354	354	414	408	404	404	404
	LO PR	157	144	134	132	129	160	146	136	134	132	162	148	138	136	136	164	151	140	140	139
1800	MBH†	58.45	53.17	49.37	48.62	48.21	55.39	50.40	46.81	46.27	46.19	52.32	47.62	44.24	44.18	44.12	49.20	44.78	41.61	42.04	41.99
	S/T†	0.55	0.76	0.78	0.99	1.00	0.56	0.78	0.80	1.00	1.00	0.57	0.80	0.82	1.00	1.00	0.58	0.82	0.85	1.00	1.00
	AMPS*	12.81	12.97	13.06	13.07	13.08	14.73	14.77	14.79	14.79	14.79	16.61	16.56	16.51	16.51	16.51	18.52	18.41	18.32	18.33	18.33
	HI PR	275	271	268	267	267	318	313	310	309	309	364	359	355	355	355	415	409	405	406	406
	LO PR	160	147	136	135	134	162	149	138	137	137	164	151	140	141	141	167	153	142	144	144

HEATING		48 Size Outdoor With FXM4X48**** Indoor Heating																				
		-3								7								17	37	47	57	67
		Entering Indoor Temperature - Degrees F, Dry Bulb																				
CFM	65	70	75	65	70	75	65	70	75	65	70	75	65	70	75	65	70	75	65	70	75	
1400	MBH†	16.57	15.87	15.12	21.81	21.11	20.36	27.41	26.67	25.90	34.27	33.71	32.01	40.13	39.54	38.99	46.61	45.93	45.26	54.13	53.21	52.30
	T/R	11.40	10.90	10.30	15.00	14.50	13.90	18.80	18.30	17.70	23.60	23.10	21.90	27.60	27.10	26.70	32.10	31.50	31.00	37.20	36.50	35.80
	AMPS*	11.66	12.14	12.66	12.18	12.67	13.20	12.74	13.25	13.80	13.50	14.06	14.48	14.12	14.73	15.38	14.81	15.47	16.15	15.55	16.31	17.06
	HI PR	222	237	253	236	252	268	252	268	285	273	290	305	292	310	330	314	333	353	338	359	380
	LO PR	35	35	35	45	45	45	57	57	57	70	70	71	85	86	86	102	102	103	121	121	122
1600	MBH†	16.86	16.17	15.41	22.16	21.47	20.72	27.81	27.09	26.32	34.67	34.13	32.64	40.59	40.01	39.43	47.19	46.50	45.81	54.95	54.10	53.21
	T/R	10.10	9.70	9.20	13.30	12.90	12.40	16.70	16.30	15.80	20.90	20.50	19.50	24.40	24.00	23.60	28.40	27.90	27.40	33.10	32.50	31.90
	AMPS*	11.78	12.25	12.77	12.25	12.74	13.26	12.76	13.27	13.82	13.45	14.01	14.46	14.00	14.61	15.25	14.62	15.27	15.95	15.17	15.90	16.66
	HI PR	219	234	250	231	247	264	246	262	280	264	282	298	282	300	320	302	321	341	322	342	363
	LO PR	35	35	35	45	45	45	57	57	57	70	70	71	85	85	86	102	102	103	120	121	121
1800	MBH†	17.13	16.43	15.68	22.46	21.77	21.03	28.18	27.45	26.68	34.99	34.48	33.89	40.98	40.41	39.81	47.67	46.98	46.28	55.35	54.64	53.84
	T/R	9.20	8.80	8.30	12.00	11.60	11.20	15.10	14.70	14.20	18.70	18.40	18.00	21.90	21.60	21.20	25.50	25.10	24.60	29.60	29.20	28.70
	AMPS*	11.91	12.38	12.90	12.35	12.83	13.36	12.82	13.34	13.88	13.46	14.03	14.60	13.95	14.57	15.20	14.52	15.17	15.84	14.97	15.68	16.42
	HI PR	216	232	248	228	244	261	241	258	275	258	276	294	274	293	312	294	312	332	311	331	351
	LO PR	35	35	35	45	45	45	57	57	57	70	70	70	85	85	86	101	102	102	120	120	121

COOLING		60 Size Outdoor With FXM4X60**** Indoor Cooling																							
		Outdoor Ambient Temperature - Degrees F, Dry Bulb																							
		85								95								105	115						
CFM	72	67	63††	62	57	72	67	63††	62	57	72	67	63††	62	57	72	67	63††	62	57					
	69.17	63.19	58.86	57.71	55.78	65.83	60.19	56.08	55.03	53.67	62.32	57.00	53.14	52.20	51.40	58.60	53.63	50.02	49.23	48.93	54.63	50.02	46.68	46.32	46.26
MBH†	0.52	0.70	0.73	0.91	1.00	0.53	0.72	0.74	0.93	1.00	0.53	0.73	0.76	0.96	1.00	0.54	0.75	0.78	0.98	1.00	0.56	0.78	0.80	1.00	1.00
S/T†	16.56	16.26	16.05	16.00	15.92	18.25	17.95	17.72	17.68	17.61	20.14	19.83	19.61	19.56	19.52	22.27	21.96	21.74	21.71	21.69	24.68	24.40	24.19	24.18	24.17
1750 AMPS*	285	280	276	275	273	328	323	319	318	316	375	369	365	364	363	426	420	415	415	414	481	475	470	470	470
HI PR	156	143	132	130	126	159	145	134	132	129	161	147	136	134	132	163	149	139	137	136	166	152	141	141	140
LO PR	70.36	64.35	59.99	58.97	58.06	66.90	61.20	57.09	56.19	55.76	63.21	57.88	54.01	53.39	53.31	59.35	54.36	50.76	50.73	50.67	55.24	50.63	47.31	47.86	47.80
MBH†	0.53	0.73	0.76	0.96	1.00	0.54	0.75	0.77	0.98	1.00	0.55	0.77	0.79	1.00	1.00	0.57	0.79	0.82	1.00	1.00	0.58	0.82	0.84	1.00	1.00
S/T†	16.91	16.60	16.38	16.34	16.30	18.61	18.29	18.06	18.02	18.00	20.48	20.17	19.94	19.92	19.91	22.60	22.30	22.07	22.08	22.08	25.01	24.72	24.51	24.56	24.55
2000 AMPS*	286	281	277	276	276	330	324	320	319	319	377	371	366	366	366	427	421	417	417	417	482	476	471	472	472
HI PR	160	146	136	134	132	162	148	137	136	135	164	150	139	138	138	166	152	142	142	142	169	155	144	146	146
LO PR	71.26	65.22	60.84	60.05	59.92	67.65	61.95	57.83	57.56	57.48	63.86	58.50	54.65	54.95	54.88	59.89	54.89	51.31	52.14	52.08	55.65	51.06	47.75	49.11	49.05
MBH†	0.55	0.77	0.79	1.00	1.00	0.56	0.79	0.81	1.00	1.00	0.57	0.81	0.83	1.00	1.00	0.59	0.84	0.86	1.00	1.00	0.61	0.87	0.89	1.00	1.00
S/T†	17.25	16.93	16.71	16.68	16.68	18.94	18.62	18.39	18.38	18.38	20.81	20.49	20.26	20.29	20.29	22.93	22.62	22.39	22.45	22.45	25.33	25.04	24.83	24.92	24.92
2250 AMPS*	287	282	278	278	277	331	325	321	321	321	378	372	367	368	368	428	422	418	419	419	483	477	472	475	474
HI PR	163	149	138	137	137	165	151	140	140	140	167	153	142	143	143	169	155	144	147	147	171	157	146	151	151
LO PR																									

HEATING		60 Size Outdoor With FXM4X60**** Indoor Heating																						
		Outdoor Ambient Temperature - Degrees F, Dry Bulb																						
		-3								7								17	27	37	47	57	67	
CFM	65	70	75	65	70	75	65	70	75	65	70	75	65	70	75	65	70	75	65	70	75	65	70	75
	20.52	19.47	18.37	26.79	25.79	24.74	33.46	32.51	31.51	40.87	39.83	38.79	49.38	48.67	47.98	57.35	56.50	55.67	66.82	65.73	64.63	77.58	76.47	75.38
MBH†	10.90	10.30	9.70	14.20	13.70	13.10	17.80	17.20	16.70	21.70	21.10	20.50	26.20	25.80	25.40	30.50	30.00	29.50	35.50	34.90	34.20	41.20	40.60	39.90
T/R	14.23	14.82	15.44	14.84	15.47	16.14	15.46	16.13	16.84	16.14	16.85	17.59	17.03	17.81	18.66	17.85	18.66	19.53	18.82	19.71	20.63	19.84	20.73	21.64
1750 AMPS*	219	234	250	232	248	264	246	263	280	263	280	297	284	302	321	304	323	342	327	347	368	351	371	391
HI PR	34	34	35	44	44	44	56	56	56	69	69	69	83	83	84	99	100	100	118	119	119	139	140	140
LO PR	20.93	19.88	18.79	27.26	26.25	25.21	34.00	33.04	32.04	41.73	40.47	39.41	49.94	49.24	48.57	58.09	57.22	56.38	67.96	66.73	65.69	78.42	77.33	76.26
2000 AMPS*	9.70	9.20	8.70	12.70	12.20	11.70	15.80	15.30	14.80	19.40	18.80	18.20	23.20	22.90	22.50	27.00	26.60	26.10	31.60	31.00	30.40	36.50	35.90	35.30
T/R	14.40	14.99	15.62	14.96	15.59	16.26	15.51	16.19	16.90	16.15	16.84	17.57	16.92	17.71	18.53	17.66	18.47	19.32	18.45	19.33	20.23	19.46	20.31	21.22
2250 AMPS*	216	232	247	228	244	260	241	257	274	256	273	290	274	293	312	293	311	331	312	332	352	335	355	375
HI PR	34	34	34	44	44	44	56	56	56	68	69	69	83	83	83	99	99	99	118	119	119	138	139	139
LO PR	21.30	20.25	19.15	27.68	26.67	25.62	34.47	33.51	32.51	43.09	41.03	39.96	50.46	49.75	49.02	58.71	57.83	56.97	68.69	67.70	66.61	78.97	77.93	76.86
2000 AMPS*	8.80	8.40	7.90	11.40	11.00	10.50	14.30	13.80	13.40	17.80	16.90	16.40	20.90	20.50	20.20	24.30	23.90	23.40	28.40	27.90	27.40	32.60	32.10	31.60
T/R	14.60	15.19	15.82	15.12	15.75	16.42	15.62	16.30	17.01	16.33	16.89	17.62	16.91	17.69	18.49	17.59	18.38	19.22	18.26	19.10	19.98	19.22	20.06	20.95
2250 AMPS*	214	229	245	225	241	257	236	253	270	253	267	285	267	285	304	284	303	322	301	320	340	323	343	363
HI PR	34	34	34	44	44	44	55	56	56	68	69	69	83	83	83	99	99	99	118	118	118	137	138	138
LO PR																								

CXH5 PARTS LIST										
KEY NO.	DESCRIPTION	FAST PARTS NO.	CXH518GKA100	CXH524GKA100	CXH530GKA100	CXH536GKA100	CXH537GKA100	CXH542GKA100	CXH548GKA100	CXH560GKA100
01	COMP ZP16K5E-PFV-130	ZP16K5EPFV130	1	-	-	-	-	-	-	-
01	COMP ZP21K5E-PFV-130	ZP21K5EPFV130	-	1	-	-	-	-	-	-
01	COMP ZP25K5E-PFV-130	ZP25K5EPFV130	-	-	1	-	-	-	-	-
01	COMP ZP31K5E-PFV-130	ZP31K5EPFV130	-	-	-	1	-	-	-	-
01	COMP ZP38K5E-PFV-130	ZP38K5EPFV130	-	-	-	-	1	1	-	-
01	COMP ZP42K5E-PFV-130	ZP42K5EPFV130	-	-	-	-	-	-	1	-
01	COMP ZP51K5E-PFV-130	ZP51K5EPFV130	-	-	-	-	-	-	-	1
02	FAN MOTOR 1/12 HP	1177967	1	-	-	-	-	-	-	-
02	MTR CND 1/208-230 1/12 820	1179379	-	1	1	-	-	-	-	-
02	FAN MOTOR 1/5 HP	1177593	-	-	-	1	1	1	-	-
02	FAN MOTOR 1/4HP	1177473	-	-	-	-	-	-	1	1
03	FAN C 24" 3B 1/2" 15 INT	1173721	1	-	-	-	-	-	-	-
03	FAN C 26" 3B 1/2" 16 INT	1174940	-	1	1	-	-	-	-	-
03	FAN C 26" 3B 1/2" 21 INT	1173661	-	-	-	1	1	1	-	-
03	FAN C 26" 3B 1/2" 24 INT	1172716	-	-	-	-	-	-	1	1
04	CONTACTOR 1P 30A 24V W/SHUNT	1172472	1	1	1	1	1	1	1	-
04	CONTACTOR 1P 40A	1176763	-	-	-	-	-	-	-	1
05	CAP RN RD 370V 3+30	1172090	1	-	-	-	-	-	-	-
05	CAP RN RD 370V 3+40	1172257	-	1	1	-	-	-	-	-
05	CAP RN RD 370V 5+45	1172124	-	-	-	1	1	1	-	-
05	CAP RN RD 370V 5+70	1172163	-	-	-	-	-	-	1	1
06	COND COIL ASSY	1179380	1	-	-	-	-	-	-	-
06	COND COIL ASSY	1179381	-	1	-	-	-	-	-	-
06	COND COIL ASSY	1179382	-	-	1	-	-	-	-	-
06	COND COIL ASSY	1174931	-	-	-	-	1	-	-	-
06	COND COIL ASSY	1179383	-	-	-	1	-	-	-	-
06	COND COIL ASSY	1179384	-	-	-	-	-	1	1	-
06	COND COIL ASSY	1179385	-	-	-	-	-	-	-	1
07	VALVE SVC PARK SUC 10S-10S	1172725	1	1	-	-	-	-	-	-
07	VALVE SVC PARK SUC 12S-12S	1172726	-	-	1	1	1	-	-	-
07	VALVE SVC PARK SUC 14S-14S	1172727	-	-	-	-	-	1	1	1
08	VALVE SERVICE LIQUID	1173629	1	1	1	1	1	1	1	1
09	PLUG COMPRESSOR	1173979	1	-	-	-	-	-	-	-
09	PLUG COMPRESSOR	1173905	-	1	-	-	-	-	-	-
09	PLUG COMPRESSOR	1173963	-	-	1	1	1	1	1	-
09	PLUG COMP WIRE (SM) 12GAX58"	1174686	-	-	-	-	-	-	-	1
10	BOLT SHLDR COMP. MTG,	1173630	4	4	4	4	4	4	4	4
11	GROMMET COMPRESSOR 1.62"DIA S	1171270	4	4	4	4	4	4	4	4
12	VALVE REV W/COIL 24V	1173715	1	1	-	-	-	-	-	-
12	VALVE REVERSING	1175621	-	-	1	1	1	-	-	-
12	VALVE REVERSING	1175622	-	-	-	-	-	1	1	1
13	COIL REV VLV 24V	1172574	1	1	1	1	1	1	1	1
14	HARNESS ASSY 52" RVS PLUG	1179387	1	1	1	1	1	1	1	1
15	ACCUMULATOR	1172312	1	-	-	-	-	-	-	-
15	ACCUMULATOR 174 3/4 5" DIA	1174937	-	1	-	-	-	-	-	-
15	ACCUMULATOR	1176606	-	-	1	-	-	-	-	-
15	ACCUMULATOR	1174703	-	-	-	1	1	-	-	-
15	ACCUMULATOR	1172122	-	-	-	-	-	1	-	-
15	ACCUMULATOR 174 IN3 7/8	1173714	-	-	-	-	-	-	1	-
15	ACCUMULATOR	1172313	-	-	-	-	-	-	-	1
16	CAPILLARY ASSY FORMED	1174096	1	1	1	1	1	1	1	1

- continued on next page -

CXH5 PARTS LIST (continued)										
KEY NO.	DESCRIPTION	FAST PARTS NO.	CXH518GKA100	CXH524GKA100	CXH530GKA100	CXH536GKA100	CXH537GKA100	CXH542GKA100	CXH548GKA100	CXH560GKA100
17	PRESSURE SWITCH LOW	1176661	1	1	1	1	1	1	1	1
18	PISTON CHATLEFF .042	1173634	1	-	-	-	-	-	-	-
18	PISTON CHATLEFF .046	1173650	-	1	-	-	-	-	-	-
18	PISTON .052	1174060	-	-	1	-	-	-	-	-
18	PISTON CHATLEFF .061	1173663	-	-	-	1	-	1	-	-
18	PISTON CHATLEFF .067	1173867	-	-	-	-	-	-	1	-
18	PISTON CHATLEFF .059	1173871	-	-	-	-	1	-	-	-
18	PISTON .076	1173673	-	-	-	-	-	-	-	1
19	SWITCH PRESSURE HIGH	1174695	1	1	1	1	1	1	1	1
20	DISTRIBUTOR	1172020	1	-	-	-	-	-	-	-
20	DISTRIBUTOR	1172021	-	1	1	-	-	-	-	-
20	DISTRIBUTOR	1172022	-	-	-	1	1	-	-	-
20	DISTRIBUTOR	1173998	-	-	-	-	-	1	1	-
20	DISTRIBUTOR	1176638	-	-	-	-	-	-	-	1
21	CONTROL MTR SPEED	1088977	1	1	1	1	-	1	1	1
21	CONTROL MTR SPEED 2 SPD	1183095	-	-	-	-	1	-	-	-
22	SENSOR DEFROST O65 C32	1173637	1	1	1	1	1	1	1	1
23	MUFFLER	1173668	1	1	1	1	1	1	1	1
24	FILTER DRIER ASSY	1174010	1	1	1	1	1	1	1	1
25	MODULE COMP DIAGNOSTICS	1173992	1	1	1	1	1	1	1	1
26	DEFROST CONTROL BOARD	1173636	1	1	1	1	1	1	1	1
27	JACKET SOUND	1172015	1	1	1	1	1	-	-	-
27	JACKET SOUND	1172014	-	-	-	-	-	1	1	1
28	CAP FLARE	1172410	1	1	1	1	1	1	1	1
29	GROMMET ACCUMULATOR CUSHION	1172806	1	1	1	1	1	1	1	1
30	CLIP ACCUM	1173640	1	1	1	1	1	1	1	1
31	RETAINER PISTON	1173641	1	1	1	1	1	1	1	1
32	RACEWAY	1175919	1	1	1	1	1	1	1	1
33	LUG GROUND	1172300	1	1	1	1	1	1	1	1
34	HARNESS ASSY PLUG & PLAY	1173909	1	1	1	-	-	-	-	-
34	HARNESS ASSY PLUG & PLAY	1173920	-	-	-	1	1	1	1	-
34	HARNESS ASSY PLUG & PLAY	1173951	-	-	-	-	-	-	-	1
35	HTR CC WP 40W240V TCH-245	1173944	-	-	-	-	-	-	1	1
35	HTR CC WP 40W240V TCH-268	1174709	-	-	-	-	1	-	-	-
36	SWITCH TEMP DISC O85 C65	1173669	-	-	-	-	1	-	1	1
42	WIRE HARNESS ASY COMFORT ALERT	1174728	1	1	1	1	1	1	1	1
A	TOP COVER ASY	1178204	1	-	-	-	-	-	-	-
A	TOP COVER ASY	1178572	-	1	1	1	-	1	1	1
A	TOP COVER ASY	1183317	-	-	-	-	1	-	-	-
B	NUT HEX 8-32 KNURL MTR MTG	1172217	4	4	4	4	4	4	4	4
C1	GRILLE INLET	1178628	1	-	-	-	-	-	-	-
C1	GRILLE INLET	1178633	-	1	1	-	-	-	-	-
C1	GRILLE INLET	1178576	-	-	-	1	1	-	-	-
C1	GRILLE INLET	1178629	-	-	-	-	-	1	1	-
C1	GRILLE INLET	1178579	-	-	-	-	-	-	-	1
C2	GRILLE INLET	1178631	2	-	-	-	-	-	-	-
C2	GRILLE INLET	1178634	-	2	2	-	-	-	-	-
C2	GRILLE INLET	1178577	-	-	-	2	2	-	-	-
C2	GRILLE INLET	1178630	-	-	-	-	-	2	2	-
C2	GRILLE INLET	1178580	-	-	-	-	-	-	-	2
C3	GRILLE INLET	1178627	1	-	-	-	-	-	-	-

- continued on next page -

CXH5 PARTS LIST (continued)										
KEY NO.	DESCRIPTION	FAST PARTS NO.	CXH518GKA100	CXH524GKA100	CXH530GKA100	CXH536GKA100	CXH537GKA100	CXH542GKA100	CXH548GKA100	CXH560GKA100
C3	GRILLE INLET	1178635	-	1	1	-	-	-	-	-
C3	GRILLE INLET	1178578	-	-	-	1	1	-	-	-
C3	GRILLE INLET	1178613	-	-	-	-	-	1	1	-
C3	GRILLE INLET	1178581	-	-	-	-	-	-	-	1
D	BOX CONTROL	1173643	1	1	1	1	1	1	1	1
E	KIT CONTROL BOX COVER	1179369	1	-	-	-	-	-	-	-
E	KIT CONTROL BOX COVER	1179370	-	1	-	-	-	-	-	-
E	KIT CONTROL BOX COVER	1179371	-	-	1	-	-	-	-	-
E	KIT CONTROL BOX COVER	1179372	-	-	-	1	-	-	-	-
E	KIT CONTROL BOX COVER	1179373	-	-	-	-	-	1	-	-
E	KIT CONTROL BOX COVER	1178608	-	-	-	-	1	-	-	-
E	KIT CONTROL BOX COVER	1179374	-	-	-	-	-	-	1	-
E	KIT CONTROL BOX COVER	1179375	-	-	-	-	-	-	-	1
F	SVCE PNL ASSY	1178324	1	-	-	-	-	1	1	-
F	SVCE PNL ASSY	1178528	-	1	1	-	-	-	-	-
F	SVCE PNL ASSY	1178325	-	-	-	1	1	-	-	-
F	SVCE PNL ASSY	1178326	-	-	-	-	-	-	-	1
G	BASE PAN ASSY	1178308	1	-	-	-	-	-	-	-
G	BASE PAN ASSY	1178309	-	1	1	1	1	1	1	1
J	CORNER POST ASY	1178588	3	-	-	-	-	3	3	-
J	COR POST ASY	1178636	-	3	3	-	-	-	-	-
J	CORNER POST ASY	1178574	-	-	-	3	3	-	-	-
J	CORNER POST ASY	1178575	-	-	-	-	-	-	-	3
L	GUARD FAN	1178586	1	-	-	-	-	-	-	-
L	GUARD FAN	1178573	-	1	1	1	1	1	1	1
N	SUPPORT COIL	1174068	5	5	5	5	5	5	5	5
P	CLAMP CAPACITOR ROUND 2.0"D	1172734	1	1	1	1	1	1	-	-
P	CLAMP CAPACITOR ROUND 2.5"D	1172735	-	-	-	-	-	-	1	1
R	MOTOR CAP ASSY COMF/MAIN AC&HP	1179386	1	1	1	1	1	1	1	1
Parts Not Shown										
)	KIT PISTON TOOL BODY RESIZER	1175477	1	1	1	1	1	1	1	1
)	PAINT TOUCH UP BALTIC GRY 1 PT	1178322	1	1	1	1	1	1	1	1
)	SCREW HEX HD 10AB X 3/8	1176782	44	44	44	44	44	44	44	44
)	SCREW HEX HEAD 12AB 5/8	1178281	4	4	4	4	4	4	4	4
)	SCREW HX HEAD 10AB 1/2	1178280	12	12	12	12	12	12	12	12
)	KIT ADAPTER ASSY	1174192	1	1	1	1	1	1	1	1
)	GROMMET	1171737	1	1	1	1	1	1	1	1
)	FILTER DRIER ASSY	1173991	1	1	1	1	-	1	1	1
)	DRIER BIFLOW 06 CI 3/8 SWEAT	1172311	-	-	-	-	1	-	-	-
)	DRIER FILTER SUCT LINE 8.0 CI	1174194	1	1	1	1	1	-	-	-
)	DRIER FILTER SUCT LINE 15.0 CI	1174193	-	-	-	-	-	1	1	1
)	CAP SERVICE KIT 11/16-20	1175650	1	1	1	1	1	1	1	1
)	CAP SERVICE KIT 15/16-20	1175651	1	1	1	1	1	-	-	-
)	CAP SERVICE KIT 1-1/16-20	1175652	-	-	-	-	-	1	1	1

HXH5 PARTS LIST										
KEY NO.	DESCRIPTION	FAST PARTS NO.	HXH518GKA100	HXH524GKA100	HXH530GKA100	HXH536GKA100	HXH537GKA100	HXH542GKA100	HXH548GKA100	HXH560GKA100
01	COMP ZP16K5E-PFV-130	ZP16K5EPFV130	1	-	-	-	-	-	-	-
01	COMP ZP21K5E-PFV-130	ZP21K5EPFV130	-	1	-	-	-	-	-	-
01	COMP ZP25K5E-PFV-130	ZP25K5EPFV130	-	-	1	-	-	-	-	-
01	COMP ZP31K5E-PFV-130	ZP31K5EPFV130	-	-	-	1	1	-	-	-
01	COMP ZP38K5E-PFV-130	ZP38K5EPFV130	-	-	-	-	-	1	-	-
01	COMP ZP42K5E-PFV-130	ZP42K5EPFV130	-	-	-	-	-	-	1	-
01	COMP ZP51K5E-PFV-130	ZP51K5EPFV130	-	-	-	-	-	-	-	1
02	FAN MOTOR 1/12 HP	1177967	1	-	-	-	-	-	-	-
02	MTR CND 1/208-230 1/12 820	1179379	-	1	1	-	-	-	-	-
02	FAN MOTOR 1/5 HP	1177593	-	-	-	1	1	1	-	-
02	FAN MOTOR 1/4HP	1177473	-	-	-	-	-	-	1	1
03	FAN C 24" 3B 1/2" 15 INT	1173721	1	-	-	-	-	-	-	-
03	FAN C 26" 3B 1/2" 16 INT	1174940	-	1	1	-	-	-	-	-
03	FAN C 26" 3B 1/2" 21 INT	1173661	-	-	-	1	1	1	-	-
03	FAN C 26" 3B 1/2" 24 INT	1172716	-	-	-	-	-	-	1	1
04	CONTACTOR 1P 30A 24V W/SHUNT	1172472	1	1	1	1	1	1	1	-
04	CONTACTOR 1P 40A	1176763	-	-	-	-	-	-	-	1
05	CAP RN RD 370V 3+30	1172090	1	-	-	-	-	-	-	-
05	CAP RN RD 370V 3+40	1172257	-	1	1	-	-	-	-	-
05	CAP RN RD 370V 5+45	1172124	-	-	-	1	1	1	-	-
05	CAP RN RD 370V 5+70	1172163	-	-	-	-	-	-	1	1
06	COND COIL ASSY	1179380	1	-	-	-	-	-	-	-
06	COND COIL ASSY	1179381	-	1	-	-	-	-	-	-
06	COND COIL ASSY	1179382	-	-	1	-	-	-	-	-
06	COND COIL ASSY	1179383	-	-	-	1	-	-	-	-
06	COND COIL ASSY	1179384	-	-	-	-	-	1	1	-
06	COND COIL ASSY	1179385	-	-	-	-	-	-	-	1
06	COND COIL ASSY	1174931	-	-	-	-	1	-	-	-
07	VALVE SVC PARK SUC 10S-10S	1172725	1	1	-	-	-	-	-	-
07	VALVE SVC PARK SUC 12S-12S	1172726	-	-	1	1	1	-	-	-
07	VALVE SVC PARK SUC 14S-14S	1172727	-	-	-	-	-	1	1	1
08	VALVE SERVICE LIQUID	1173629	1	1	1	1	1	1	1	1
09	PLUG COMPRESSOR	1173979	1	-	-	-	-	-	-	-
09	PLUG COMPRESSOR	1173905	-	1	-	-	-	-	-	-
09	PLUG COMPRESSOR	1173963	-	-	1	1	1	1	1	-
09	PLUG COMP WIRE (SM) 12GAX58"	1174686	-	-	-	-	-	-	-	1
10	BOLT SHLDR COMP. MTG,	1173630	4	4	4	4	4	4	4	4
11	GROMMET COMPRESSOR 1.62"DIA	1171270	4	4	4	4	4	4	4	4
12	VALVE REV W/COIL 24V	1173715	1	1	-	-	-	-	-	-
12	VALVE REVERSING	1175621	-	-	1	1	1	-	-	-
12	VALVE REVERSING	1175622	-	-	-	-	-	1	1	1
13	COIL REV VLV 24V	1172574	1	1	1	1	1	1	1	1
14	HARNESS ASSY 52" RVS PLUG	1179387	1	1	1	1	1	1	1	1
15	ACCUMULATOR	1172312	1	-	-	-	-	-	-	-
15	ACCUMULATOR 174 3/4 5" DIA	1174937	-	1	-	-	-	-	-	-
15	ACCUMULATOR	1176606	-	-	1	-	-	-	-	-
15	ACCUMULATOR	1174703	-	-	-	1	1	-	-	-
15	ACCUMULATOR	1172122	-	-	-	-	-	1	-	-
15	ACCUMULATOR 174 IN3 7/8	1173714	-	-	-	-	-	-	1	-
15	ACCUMULATOR	1172313	-	-	-	-	-	-	-	1
16	CAPILLARY ASSY FORMED	1174096	1	1	1	1	1	1	1	1

- continued on next page -

HXH5 PARTS LIST (continued)										
KEY NO.	DESCRIPTION	FAST PARTS NO.	HXH518GKA100	HXH524GKA100	HXH530GKA100	HXH536GKA100	HXH537GKA100	HXH542GKA100	HXH548GKA100	HXH560GKA100
17	PRESSURE SWITCH LOW	1176661	1	1	1	1	1	1	1	1
18	PISTON CHATLEFF .042	1173634	1	-	-	-	-	-	-	-
18	PISTON CHATLEFF .046	1173650	-	1	-	-	-	-	-	-
18	PISTON .052	1174060	-	-	1	-	-	-	-	-
18	PISTON CHATLEFF .059	1173871	-	-	-	-	1	-	-	-
18	PISTON CHATLEFF .061	1173663	-	-	-	1	-	1	-	-
18	PISTON CHATLEFF .067	1173867	-	-	-	-	-	-	1	-
18	PISTON .076	1173673	-	-	-	-	-	-	-	1
19	SWITCH PRESSURE HIGH	1174695	1	1	1	1	1	1	1	1
20	DISTRIBUTOR	1172020	1	-	-	-	-	-	-	-
20	DISTRIBUTOR	1172021	-	1	1	-	-	-	-	-
20	DISTRIBUTOR	1172022	-	-	-	1	1	-	-	-
20	DISTRIBUTOR	1173998	-	-	-	-	-	1	1	-
20	DISTRIBUTOR	1176638	-	-	-	-	-	-	-	1
21	CONTROL MTR SPEED	1088977	1	1	1	1	-	1	1	1
21	CONTROL MTR 2 SPD	1083095	-	-	-	-	1	-	-	-
22	SENSOR DEFROST O65 C32	1173637	1	1	1	1	1	1	1	1
23	MUFFLER	1173668	1	1	1	1	1	1	1	1
24	FILTER DRIER ASSY	1174010	1	1	1	1	1	1	1	1
25	MODULE COMP DIAGNOSTICS	1173992	1	1	1	1	1	1	1	1
26	DEFROST CONTROL BOARD	1173636	1	1	1	1	1	1	1	1
27	JACKET SOUND	1172015	1	1	1	1	1	-	-	-
27	JACKET SOUND	1172014	-	-	-	-	-	1	1	1
28	CAP FLARE	1172410	1	1	1	1	1	1	1	1
29	GROMMET ACCUMULATOR CUSHION	1172806	1	1	1	1	1	1	1	1
30	CLIP ACCUM	1173640	1	1	1	1	1	1	1	1
31	RETAINER PISTON	1173641	1	1	1	1	1	1	1	1
32	RACEWAY	1175919	1	1	1	1	1	1	1	1
33	LUG GROUND	1172300	1	1	1	1	1	1	1	1
34	HARNESS ASSY PLUG & PLAY	1173909	1	1	1	-	-	-	-	-
34	HARNESS ASSY PLUG & PLAY	1173920	-	-	-	1	1	1	1	-
34	HARNESS ASSY PLUG & PLAY	1173951	-	-	-	-	-	-	-	1
35	HTR CC WP 40W240V TCH-245	1173944	-	-	-	-	-	-	1	1
35	HTR CC WP 40W240V TCH-268	1174709	-	-	-	-	1	-	-	-
36	SWITCH TEMP DISC O85 C65	1173669	-	-	-	-	1	-	1	1
42	WIRE HARNESS ASY COMFORT ALERT	1174728	1	1	1	1	1	1	1	1
A	TOP COVER ASY	1177914	1	-	-	-	-	-	-	-
A	TOP COVER ASSY	1178327	-	1	1	1	1	1	1	1
B	NUT HEX 8-32 KNURL MTR MTG	1172217	4	4	4	4	4	4	4	4
C1	GRILLE INLET	1177419	1	-	-	-	-	-	-	-
C1	GRILLE INLET	1177490	-	1	1	-	-	-	-	-
C1	GRILLE INLET	1177733	-	-	-	1	1	-	-	-
C1	GRILLE INLET	1177492	-	-	-	-	-	1	1	-
C1	GRILLE INLET	1177491	-	-	-	-	-	-	-	1
C2	GRILLE INLET	1177969	2	-	-	-	-	-	-	-
C2	GRILLE INLET HEIL	1175796	-	2	2	-	-	-	-	-
C2	GRILLE INLET HEIL	1175797	-	-	-	2	2	-	-	-
C2	GRILLE INLET HEIL	1176701	-	-	-	-	-	2	2	-
C2	GRILLE INLET HEIL	1176702	-	-	-	-	-	-	-	2
C3	GRILLE INLET	1177972	1	-	-	-	-	-	-	-
C3	GRILLE INLET	1177493	-	1	1	-	-	-	-	-

- continued on next page -

HXH5 PARTS LIST (continued)										
KEY NO.	DESCRIPTION	FAST PARTS NO.	HXH518GKA100	HXH524GKA100	HXH530GKA100	HXH536GKA100	HXH537GKA100	HXH542GKA100	HXH548GKA100	HXH560GKA100
C3	GRILLE INLET	1177734	-	-	-	1	1	-	-	-
C3	GRILLE INLET	1177495	-	-	-	-	-	1	1	-
C3	GRILLE INLET	1177494	-	-	-	-	-	-	-	1
D	BOX CONTROL	1173643	1	1	1	1	1	1	1	1
E	KIT CONTROL BOX COVER	1179369	1	-	-	-	-	-	-	-
E	KIT CONTROL BOX COVER	1179370	-	1	-	-	-	-	-	-
E	KIT CONTROL BOX COVER	1179371	-	-	1	-	-	-	-	-
E	KIT CONTROL BOX COVER	1179372	-	-	-	1	-	-	-	-
E	KIT CONTROL BOX COVER	1179373	-	-	-	-	-	1	-	-
E	KIT CONTROL BOX COVER	1178608	-	-	-	-	1	-	-	-
E	KIT CONTROL BOX COVER	1179374	-	-	-	-	-	-	1	-
E	KIT CONTROL BOX COVER	1179375	-	-	-	-	-	-	-	1
F	SVCE PNL ASSY	1178324	1	-	-	-	-	1	1	-
F	SVCE PNL ASSY	1178528	-	1	1	-	-	-	-	-
F	SVCE PNL ASSY	1178325	-	-	-	1	1	-	-	-
F	SVCE PNL ASSY	1178326	-	-	-	-	-	-	-	1
G	BASE PAN ASSY	1178308	1	-	-	-	-	-	-	-
G	BASE PAN ASSY	1178309	-	1	1	1	1	1	1	1
J	COR POST ASSY	1178312	3	-	-	-	-	3	3	-
J	COR POST ASSY	1178529	-	3	3	-	-	-	-	-
J	COR POST ASSY	1178313	-	-	-	3	3	-	-	-
J	COR POST ASSY	1178314	-	-	-	-	-	-	-	3
L	FAN GUARD	1177893	1	-	-	-	-	-	-	-
L	GUARD FAN	1174032	-	1	1	1	1	1	1	1
N	SUPPORT COIL	1174068	5	5	5	5	5	5	5	5
P	CLAMP CAPACITOR ROUND 2.0"D	1172734	1	1	1	1	1	1	-	-
P	CLAMP CAPACITOR ROUND 2.5"D	1172735	-	-	-	-	-	-	1	1
R	MOTOR CAP ASSY HEIL/MAIN AC&HP	1179389	1	1	1	1	1	1	1	1
Parts Not Shown										
)	KIT ADAPTER ASSY	1174192	1	1	1	1	1	1	1	1
)	GROMMET	1171737	1	1	1	1	1	1	1	1
)	FILTER DRIER ASSY	1173991	1	1	1	1	1	1	1	1
)	DRIER FILTER SUCT LINE 8.0 CI	1174194	1	1	1	1	1	-	-	-
)	DRIER FILTER SUCT LINE 15.0 CI	1174193	-	-	-	-	-	1	1	1
)	DRIER BIFLOW 06 CI 3/8 SWEET	1172311	-	-	-	-	1	-	-	-
)	CAP SERVICE KIT 11/16-20	1175650	1	1	1	1	1	1	1	1
)	CAP SERVICE KIT 15/16-20	1175651	1	1	1	1	1	-	-	-
)	CAP SERVICE KIT 1-1/16-20	1175652	-	-	-	-	-	1	1	1
)	KIT PISTON TOOL BODY RESIZER	1175477	1	1	1	1	1	1	1	1
)	PAINT TOUCH UP BALTIC GRAY 1 PT	1178322	1	1	1	1	1	1	1	1
)	SCREW HEX HD 10AB X 3/8	1176782	44	44	44	44	44	44	44	44
)	SCREW BLK HEX 12AB 5/8	1178279	4	4	4	4	4	4	4	4
)	SCREW HX HEAD 10AB 1/2	1178280	12	12	12	12	12	12	12	12

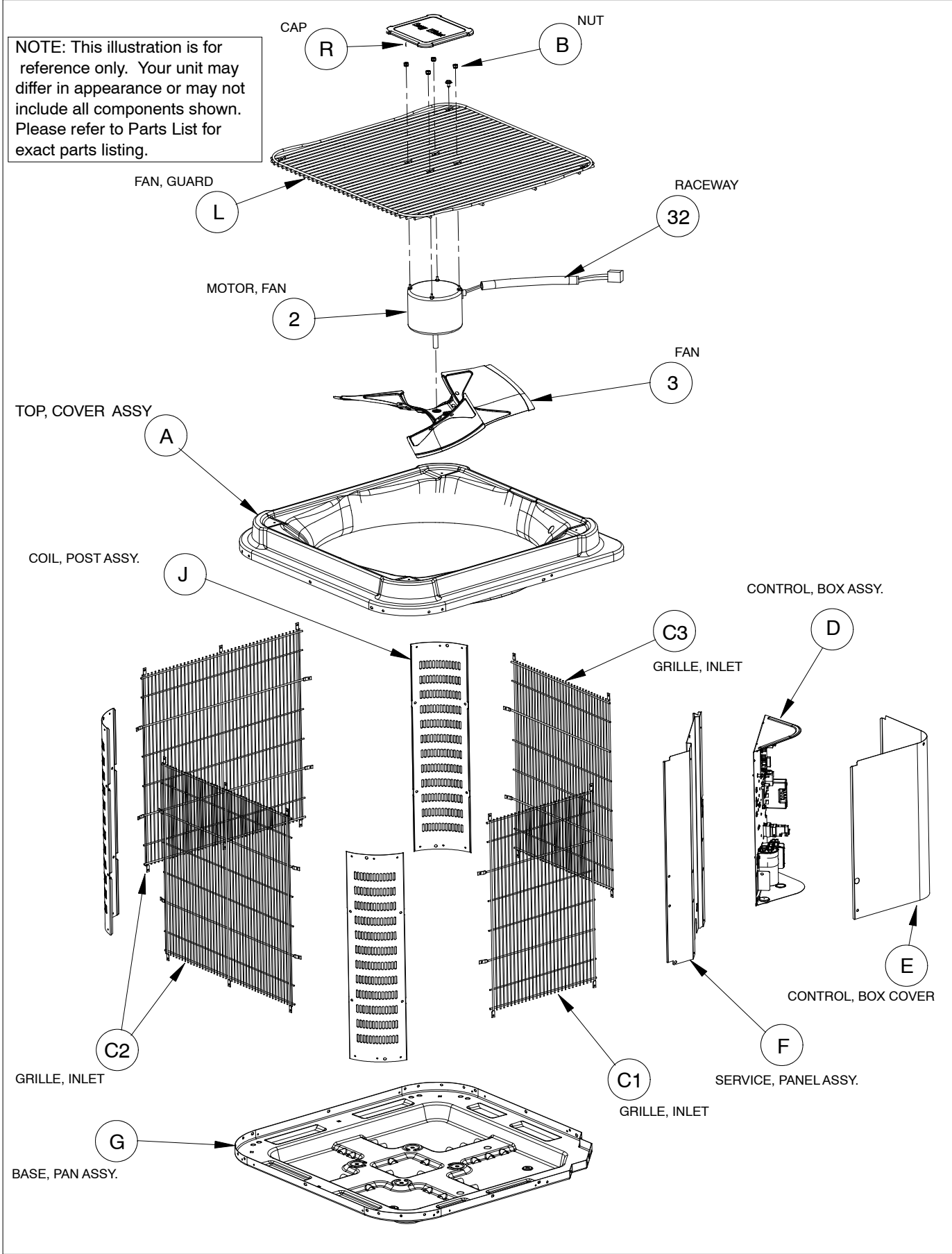
TXH5 PARTS LIST										
KEY NO.	DESCRIPTION	FAST PARTS NO.	TXH518GKA100	TXH524GKA100	TXH530GKA100	TXH536GKA100	TXH537GKA100	TXH542GKA100	TXH548GKA100	TXH560GKA100
01	COMP ZP16K5E-PFV-130	ZP16K5EPFV130	1	-	-	-	-	-	-	-
01	COMP ZP21K5E-PFV-130	ZP21K5EPFV130	-	1	-	-	-	-	-	-
01	COMP ZP25K5E-PFV-130	ZP25K5EPFV130	-	-	1	-	-	-	-	-
01	COMP ZP31K5E-PFV-130	ZP31K5EPFV130	-	-	-	1	1	-	-	-
01	COMP ZP38K5E-PFV-130	ZP38K5EPFV130	-	-	-	-	-	1	-	-
01	COMP ZP42K5E-PFV-130	ZP42K5EPFV130	-	-	-	-	-	-	1	-
01	COMP ZP51K5E-PFV-130	ZP51K5EPFV130	-	-	-	-	-	-	-	1
02	FAN MOTOR 1/12 HP	1177967	1	-	-	-	-	-	-	-
02	MTR CND 1/208-230 1/12 820	1179379	-	1	1	-	-	-	-	-
02	FAN MOTOR 1/5 HP	1177593	-	-	-	1	1	1	-	-
02	FAN MOTOR 1/4HP	1177473	-	-	-	-	-	-	1	1
03	FAN C 24" 3B 1/2" 15 INT	1173721	1	-	-	-	-	-	-	-
03	FAN C 26" 3B 1/2" 16 INT	1174940	-	1	1	-	-	-	-	-
03	FAN C 26" 3B 1/2" 21 INT	1173661	-	-	-	1	1	1	-	-
03	FAN C 26" 3B 1/2" 24 INT	1172716	-	-	-	-	-	-	1	1
04	CONTACTOR 1P 30A 24V W/SHUNT	1172472	1	1	1	1	1	1	1	-
04	CONTACTOR 1P 40A	1176763	-	-	-	-	-	-	-	1
05	CAP RN RD 370V 3+30	1172090	1	-	-	-	-	-	-	-
05	CAP RN RD 370V 3+40	1172257	-	1	1	-	-	-	-	-
05	CAP RN RD 370V 5+45	1172124	-	-	-	1	1	1	-	-
05	CAP RN RD 370V 5+70	1172163	-	-	-	-	-	-	1	1
06	COND COIL ASSY	1179380	1	-	-	-	-	-	-	-
06	COND COIL ASSY	1179381	-	1	-	-	-	-	-	-
06	COND COIL ASSY	1179382	-	-	1	-	-	-	-	-
06	COND COIL ASSY FORMED	1174931	-	-	-	-	1	-	-	-
06	COND COIL ASSY	1179383	-	-	-	1	-	-	-	-
06	COND COIL ASSY	1179384	-	-	-	-	-	1	1	-
06	COND COIL ASSY	1179385	-	-	-	-	-	-	-	1
07	VALVE SVC PARK SUC 10S-10S	1172725	1	1	-	-	-	-	-	-
07	VALVE SVC PARK SUC 12S-12S	1172726	-	-	1	1	1	-	-	-
07	VALVE SVC PARK SUC 14S-14S	1172727	-	-	-	-	-	1	1	1
08	VALVE SERVICE LIQUID	1173629	1	1	1	1	1	1	1	1
09	PLUG COMPRESSOR	1173979	1	-	-	-	-	-	-	-
09	PLUG COMPRESSOR	1173905	-	1	-	-	-	-	-	-
09	PLUG COMPRESSOR	1173963	-	-	1	1	1	1	1	-
09	PLUG COMP WIRE (SM) 12GAX58"	1174686	-	-	-	-	-	-	-	1
10	BOLT SHLDR COMP. MTG,	1173630	4	4	4	4	4	4	4	4
11	GROMMET COMPRESSOR 1.62"DIA S	1171270	4	4	4	4	4	4	4	4
12	VALVE REV W/COIL 24V	1173715	1	1	-	-	-	-	-	-
12	VALVE REVERSING	1175621	-	-	1	1	1	-	-	-
12	VALVE REVERSING	1175622	-	-	-	-	-	1	1	1
13	COIL REV VLV 24V	1172574	1	1	1	1	1	1	1	1
14	HARNESS ASSY 52" RVS PLUG	1179387	1	1	1	1	1	1	1	1
15	ACCUMULATOR	1172312	1	-	-	-	-	-	-	-
15	ACCUMULATOR 174 3/4 5" DIA	1174937	-	1	-	-	-	-	-	-
15	ACCUMULATOR	1176606	-	-	1	-	-	-	-	-
15	ACCUMULATOR	1174703	-	-	-	1	1	-	-	-
15	ACCUMULATOR	1172122	-	-	-	-	-	1	-	-
15	ACCUMULATOR 174 IN3 7/8	1173714	-	-	-	-	-	-	1	-
15	ACCUMULATOR	1172313	-	-	-	-	-	-	-	1
16	CAPILLARY ASSY FORMED	1174096	1	1	1	1	1	1	1	1

- continued on next page -

TXH5 PARTS LIST (continued)										
KEY NO.	DESCRIPTION	FAST PARTS NO.	TXH518GKA100	TXH524GKA100	TXH530GKA100	TXH536GKA100	TXH537GKA100	TXH542GKA100	TXH548GKA100	TXH560GKA100
17	PRESSURE SWITCH LOW	1176661	1	1	1	1	1	1	1	1
18	PISTON CHATLEFF .042	1173634	1	-	-	-	-	-	-	-
18	PISTON CHATLEFF .046	1173650	-	1	-	-	-	-	-	-
18	PISTON .052	1174060	-	-	1	-	-	-	-	-
18	PISTON CHATLEFF .059	1173871	-	-	-	-	1	-	-	-
18	PISTON CHATLEFF .061	1173663	-	-	-	1	-	1	-	-
18	PISTON CHATLEFF .067	1173867	-	-	-	-	-	-	1	-
18	PISTON .076	1173673	-	-	-	-	-	-	-	1
19	SWITCH PRESSURE HIGH	1174695	1	1	1	1	1	1	1	1
20	DISTRIBUTOR	1172020	1	-	-	-	-	-	-	-
20	DISTRIBUTOR	1172021	-	1	1	-	-	-	-	-
20	DISTRIBUTOR	1172022	-	-	-	1	1	-	-	-
20	DISTRIBUTOR	1173998	-	-	-	-	-	1	1	-
20	DISTRIBUTOR	1176638	-	-	-	-	-	-	-	1
21	CONTROL MTR SPEED	1088977	1	1	1	1	-	1	1	1
21	CONTROL MTR SPEED 2 SPD	1183095	-	-	-	-	1	-	-	-
22	SENSOR DEFROST O65 C32	1173637	1	1	1	1	1	1	1	1
23	MUFFLER	1173668	1	1	1	1	1	1	1	1
24	FILTER DRIER ASSY	1174010	1	1	1	1	-	1	1	1
25	MODULE COMP DIAGNOSTICS	1173992	1	1	1	1	1	1	1	1
26	DEFROST CONTROL BOARD	1173636	1	1	1	1	1	1	1	1
27	JACKET SOUND	1172015	1	1	1	1	1	-	-	-
27	JACKET SOUND	1172014	-	-	-	-	-	1	1	1
28	CAP FLARE	1172410	1	1	1	1	1	1	1	1
29	GROMMET ACCUMULATOR CUSHION	1172806	1	1	1	1	1	1	1	1
30	CLIP ACCUM	1173640	1	1	1	1	1	1	1	1
31	RETAINER PISTON	1173641	1	1	1	1	1	1	1	1
32	RACEWAY	1175919	1	1	1	1	1	1	1	1
33	LUG GROUND	1172300	1	1	1	1	1	1	1	1
34	HARNESS ASSY PLUG & PLAY	1173909	1	1	1	-	-	-	-	-
34	HARNESS ASSY PLUG & PLAY	1173920	-	-	-	1	1	1	1	-
34	HARNESS ASSY PLUG & PLAY	1173951	-	-	-	-	-	-	-	1
35	HTR CC WP 40W240V TCH-245	1173944	-	-	-	-	-	-	1	1
35	HTR CC WP 40W240V TCH-268	1174709	-	-	-	-	1	-	-	-
36	SWITCH TEMP DISC O85 C65	1173669	-	-	-	-	1	-	1	1
42	WIRE HARNESS ASY COMFORT ALERT	1174728	1	1	1	1	1	1	1	1
A	TOP COVER ASY	1178204	1	-	-	-	-	-	-	-
A	TOP COVER ASY	1183317	-	-	-	-	1	-	-	-
A	TOP COVER ASY	1178572	-	1	1	1	-	1	1	1
B	NUT HEX 8-32 KNURL MTR MTG	1172217	4	4	4	4	4	4	4	4
C1	GRILLE INLET	1177422	1	-	-	-	-	-	-	-
C1	GRILLE INLET	1177574	-	1	1	-	-	-	-	-
C1	GRILLE INLET	1177795	-	-	-	1	1	-	-	-
C1	GRILLE INLET	1177573	-	-	-	-	-	1	1	-
C1	GRILLE INLET	1177575	-	-	-	-	-	-	-	1
C2	GRILLE INLET	1177970	2	-	-	-	-	-	-	-
C2	GRILLE INLET	1176442	-	2	2	-	-	-	-	-
C2	GRILLE INLET	1176446	-	-	-	2	2	-	-	-
C2	GRILLE INLET	1176716	-	-	-	-	-	2	2	-
C2	GRILLE INLET	1176717	-	-	-	-	-	-	-	2
C3	GRILLE INLET	1177973	1	-	-	-	-	-	-	-

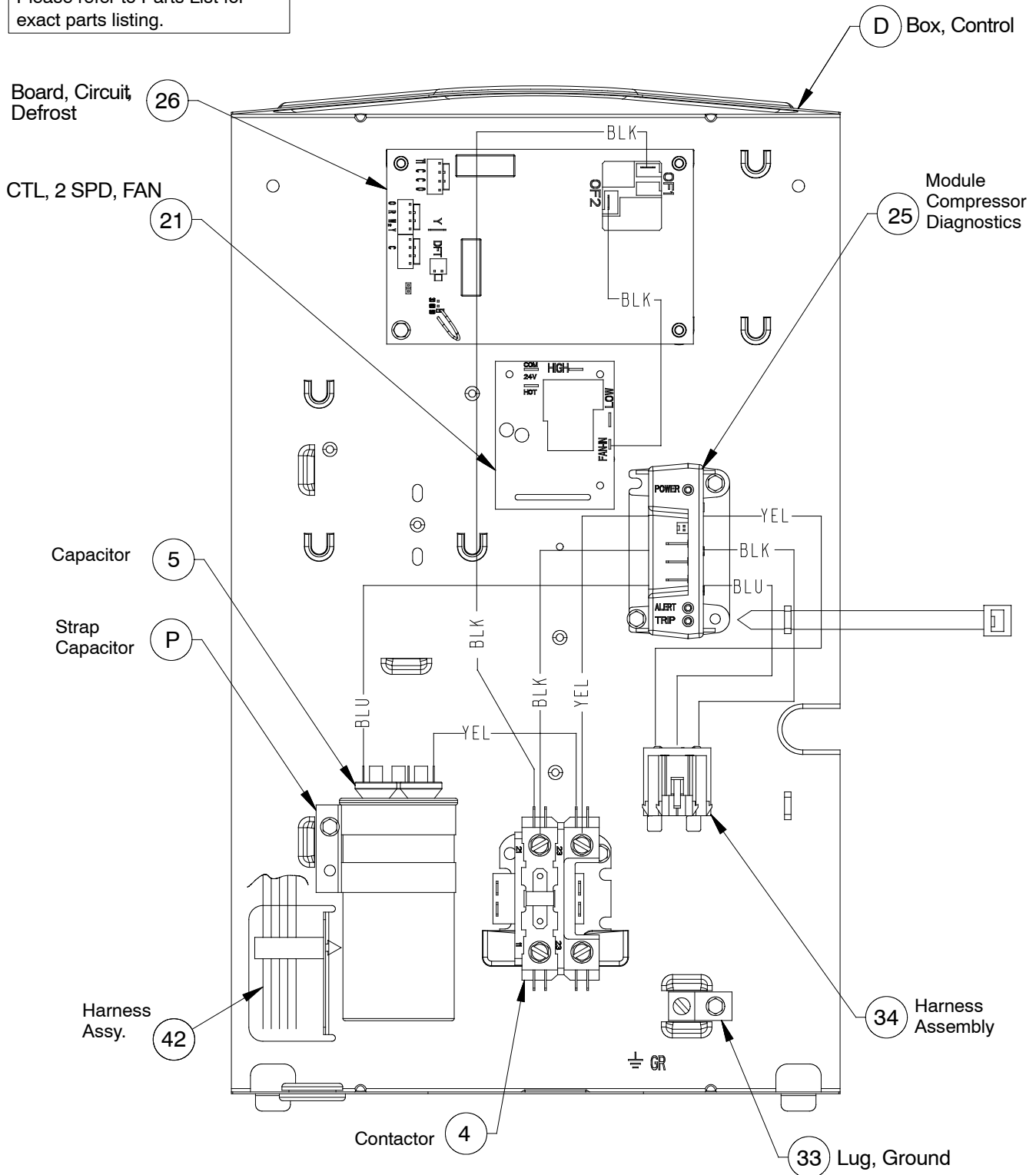
- continued on next page -

TXH5 PARTS LIST (continued)										
KEY NO.	DESCRIPTION	FAST PARTS NO.	TXH518GKA100	TXH524GKA100	TXH530GKA100	TXH536GKA100	TXH537GKA100	TXH542GKA100	TXH548GKA100	TXH560GKA100
C3	GRILLE INLET	1177577	-	1	1	-	-	-	-	-
C3	GRILLE INLET	1177796	-	-	-	1	1	-	-	-
C3	GRILLE INLET	1177576	-	-	-	-	-	1	1	-
C3	GRILLE INLET	1177578	-	-	-	-	-	-	-	1
D	BOX CONTROL	1173643	1	1	1	1	1	1	1	1
E	KIT CONTROL BOX COVER	1179369	1	-	-	-	-	-	-	-
E	KIT CONTROL BOX COVER	1179370	-	1	-	-	-	-	-	-
E	KIT CONTROL BOX COVER	1179371	-	-	1	-	-	-	-	-
E	KIT CONTROL BOX COVER	1178608	-	-	-	-	1	-	-	-
E	KIT CONTROL BOX COVER	1179372	-	-	-	1	-	-	-	-
E	KIT CONTROL BOX COVER	1179373	-	-	-	-	-	1	-	-
E	KIT CONTROL BOX COVER	1179374	-	-	-	-	-	-	1	-
E	KIT CONTROL BOX COVER	1179375	-	-	-	-	-	-	-	1
F	SVCE PNL ASSY	1178324	1	-	-	-	-	1	1	-
F	SVCE PNL ASSY	1178528	-	1	1	-	-	-	-	-
F	SVCE PNL ASSY	1178325	-	-	-	1	1	-	-	-
F	SVCE PNL ASSY	1178326	-	-	-	-	-	-	-	1
G	BASE PAN ASSY	1178308	1	-	-	-	-	-	-	-
G	BASE PAN ASSY	1178309	-	1	1	1	1	1	1	1
J	CORNER POST ASY	1178547	3	-	-	-	-	3	3	-
J	COR POST ASY	1178637	-	3	3	-	-	-	-	-
J	CORNER POST ASY	1178433	-	-	-	3	3	-	-	-
J	CORNER POST ASY	1178583	-	-	-	-	-	-	-	3
L	FAN GUARD	1177894	1	-	-	-	-	-	-	-
L	FAN GUARD	1177572	-	1	1	1	1	1	1	1
N	SUPPORT COIL	1174068	5	5	5	5	5	5	5	5
P	CLAMP CAPACITOR ROUND 2.0"D	1172734	1	1	1	1	1	1	-	-
P	CLAMP CAPACITOR ROUND 2.5"D	1172735	-	-	-	-	-	-	1	1
R	MOTOR CAP ASSY TEMP/MAIN AC&HP	1179390	1	1	1	1	1	1	1	1
Parts Not Shown										
)	KIT PISTON TOOL BODY RESIZER	1175477	1	1	1	1	1	1	1	1
)	PAINT TOUCH UP BALTIC GRY 1 PT	1178322	1	1	1	1	1	1	1	1
)	SCREW HEX HD 10AB X 3/8	1176782	44	44	44	44	44	44	44	44
)	SCREW HEX HEAD 12AB 5/8	1178281	4	4	4	4	4	4	4	4
)	SCREW HX HEAD 10AB 1/2	1178280	12	12	12	12	12	12	12	12
)	KIT ADAPTER ASSY	1174192	1	1	1	1	1	1	1	1
)	GROMMET	1171737	1	1	1	1	1	1	1	1
)	FILTER DRIER BIFLOW 06 CI 3/8 SWEAT	1172311	-	-	-	-	1	-	-	-
)	FILTER DRIER ASSY	1173991	1	1	1	1	-	1	1	1
)	DRIER FILTER SUCT LINE 8.0 CI	1174194	1	1	1	1	1	-	-	-
)	DRIER KIT FILTER 06CI 3/8 SW	1174010	-	-	-	-	1	-	-	-
)	DRIER FILTER SUCT LINE 15.0 CI	1174193	-	-	-	-	-	1	1	1
)	CAP SERVICE KIT 11/16-20	1175650	1	1	1	1	1	1	1	1
)	CAP SERVICE KIT 15/16-20	1175651	1	1	1	1	1	-	-	-
)	CAP SERVICE KIT 1-1/16-20	1175652	-	-	-	-	-	1	1	1



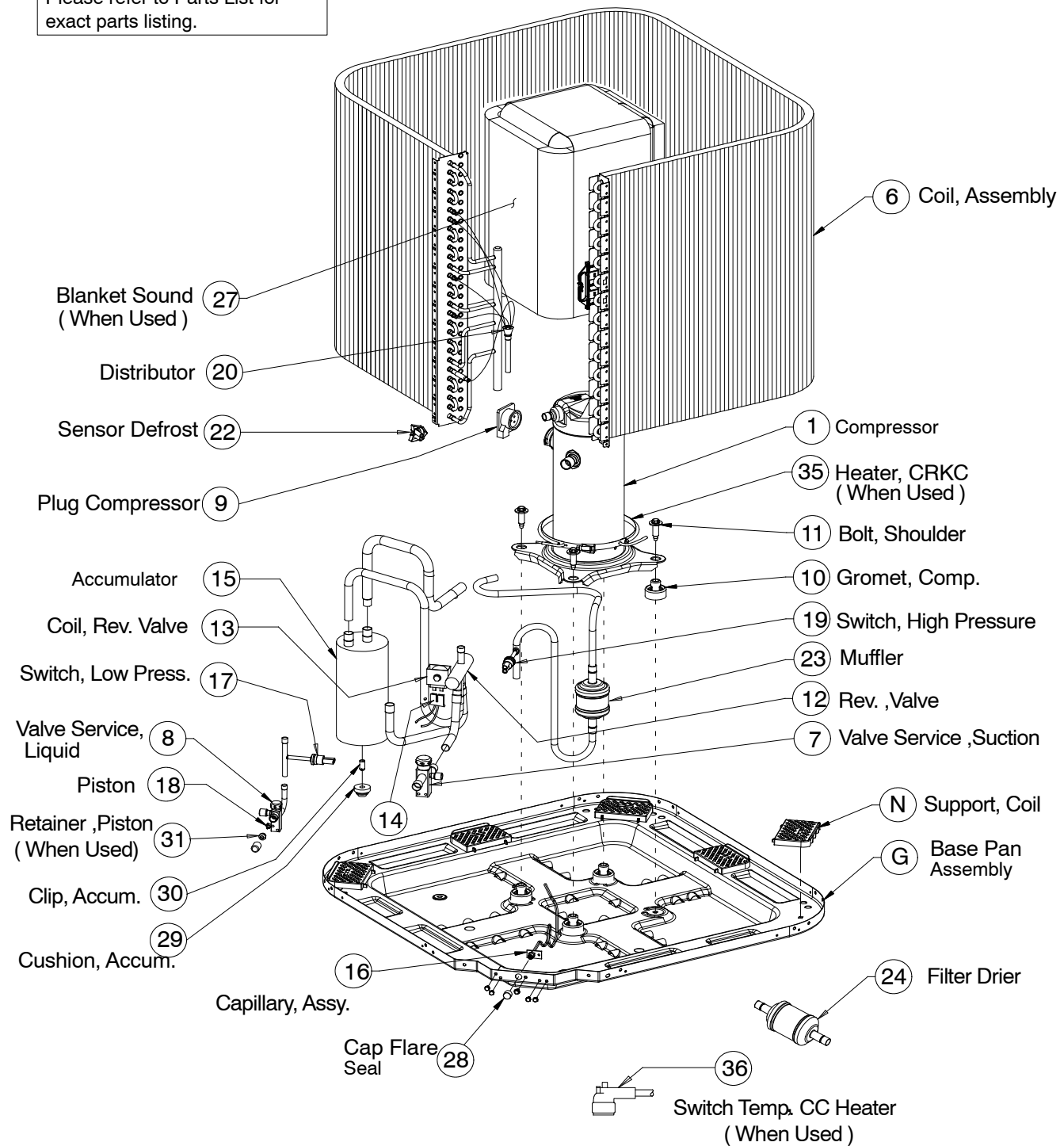
H/P Control Box , 208 / 230 Volt, 1 Phase

NOTE: This illustration is for reference only. Your unit may differ in appearance or may not include all components shown. Please refer to Parts List for exact parts listing.



H/P Refrigerant Assembly

NOTE: This illustration is for reference only. Your unit may differ in appearance or may not include all components shown. Please refer to Parts List for exact parts listing.



COOLING Multiplying Factors for other Indoor Combinations

(C,H,T)XH518

Indoor Model	Furnace Model	CAPACITY (MBh)	Power (AMPS)	Indoor Model	Furnace Model	CAPACITY (MBh)	Power (AMPS)
*FXM4X18**A*	-	1.00	1.00	EN(A,D)4X18*14**	*8MV*0701412**	0.97	1.01
EA*4X18*14A*	*8MV*0701412**	0.97	1.02	EN(A,D)4X18*14**	*8MX*0451408**	0.98	1.03
EA*4X18*14A*	*8MX*0451408**	0.98	1.03	EN(A,D)4X18*14**	*9MV*0401410A**	0.98	1.04
EA*4X18*14A*	*9MV*0401410A**	0.97	1.06	EN(A,D)4X18*14**	*9MX*0401410A**	0.97	1.04
EA*4X18*14A*	*9MX*0401410A**	0.97	1.03	EN(A,D)4X18*14**	-	0.97	1.09
EA*4X18*14A*	-	0.97	1.11	EN(A,D)4X19*17**	*8MV*0901716**	0.99	1.00
EA*4X24*14A*	*8MV*0701412**	0.99	1.02	EN(A,D)4X19*17**	*9MA*0601714A**	1.00	1.01
EA*4X24*14A*	*8MX*0451408**	1.01	1.04	EN(A,D)4X19*17**	*9MA*0801714A**	0.99	1.00
EA*4X24*14A*	*9MV*0401410A**	0.99	1.06	EN(A,D)4X19*17**	*9MV*0401410A**	1.01	1.06
EA*4X24*14A*	*9MX*0401410A**	0.99	1.04	EN(A,D)4X19*17**	*9MV*0601714A**	1.01	1.02
EA*4X24*14A*	-	0.99	1.12	EN(A,D)4X19*17**	*9MV*0801716A**	1.01	1.02
EA*4X24*17A*	*8MV*0901716**	0.99	1.03	EN(A,D)4X19*17**	*9MX*0401410A**	0.99	1.04
EA*4X24*17A*	*9MA*0601714A**	0.99	1.04	EN(A,D)4X19*17**	NOMV106D12*	1.01	1.01
EA*4X24*17A*	*9MA*0801714A**	0.99	1.04	EN(A,D)4X19*17**	OLV098A12A	1.01	1.02
EA*4X24*17A*	*9MV*0401410A**	1.00	1.05	EN(A,D)4X19*17**	OMV098J12A	1.01	1.02
EA*4X24*17A*	*9MV*0601714A**	1.01	1.02	EN(A,D)4X19*17**	-	0.99	1.09
EA*4X24*17A*	*9MV*0801716A**	1.01	1.02	EN(A,D)4X24*14**	*8MV*0701412**	0.98	0.99
EA*4X24*17A*	*9MX*0401410A**	0.99	1.04	EN(A,D)4X24*14**	*8MX*0451408**	0.99	1.00
EA*4X24*17A*	-	0.99	1.12	EN(A,D)4X24*14**	*9MV*0401410A**	0.99	1.06
ED*4X18B**	*8MV*0701412**	0.97	1.01	EN(A,D)4X24*14**	*9MX*0401410A**	0.98	1.03
ED*4X18B**	*8MX*0451408**	0.98	1.03	EN(A,D)4X24*14**	-	0.98	1.10
ED*4X18B**	*9MV*0401410A**	0.97	1.06	EN(A,D)4X24*17**	*8MV*0901716**	0.98	0.99
ED*4X18B**	*9MX*0401410A**	0.97	1.03	EN(A,D)4X24*17**	*9MA*0601714A**	0.99	1.04
ED*4X18B**	MV08B15**B*	0.97	0.97	EN(A,D)4X24*17**	*9MA*0801714A**	0.99	1.04
ED*4X18B**	*8MPV050	0.97	1.01	EN(A,D)4X24*17**	*9MV*0401410A**	0.99	1.06
ED*4X24B**	-	0.97	1.11	EN(A,D)4X24*17**	*9MV*0601714A**	1.00	1.05
ED*4X24B**	*8MV*0701412**	0.98	0.99	EN(A,D)4X24*17**	*9MV*0801716A**	1.01	1.02
ED*4X24B**	*8MX*0451408**	0.99	1.00	EN(A,D)4X24*17**	*9MX*0401410A**	0.98	1.03
ED*4X24B**	*9MV*0401410A**	0.99	1.06	EN(A,D)4X24*17**	NOMV106D12*	1.00	1.01
ED*4X24B**	*9MX*0401410A**	0.99	1.04	EN(A,D)4X24*17**	*9MPV050	1.01	1.06
ED*4X24B**	MV08B15**B*	0.98	0.99	EN(A,D)4X24*17**	*9MVX040	1.01	1.06
ED*4X24B**	*8MPV050	0.98	0.99	EN(A,D)4X24*17**	OLV098A12A	1.01	1.02
ED*4X24B**	-	0.98	1.12	EN(A,D)4X24*17**	OMV098J12A	1.01	1.02
ED*4X24F**	*8MV*0901716**	0.98	0.99	EN(A,D)4X24*17**	-	0.98	1.10

COOLING Multiplying Factors for other Indoor Combinations						
Indoor Model	Furnace Model	CAPACITY (MBh)	Power (AMPS)	Indoor Model	Furnace Model	Power (AMPS)
ED*4X24F**	*9MA*0601714A**	0.99	1.04	ENH4X24*17**	*8MV*0701412**	0.98
ED*4X24F**	*9MA*0801714A**	0.99	1.04	ENH4X24*17**	*8MV*0901716**	0.99
ED*4X24F**	*9MV*0601714A**	1.01	1.02	ENH4X24*17**	*8MX*0451408**	1.00
ED*4X24F**	*9MV*0801716A**	1.01	1.02	ENH4X24*17**	*9MA*0601714A**	1.04
ED*4X24F**	NOMV106D12*	1.00	1.01	ENH4X24*17**	*9MA*0801714A**	1.04
ED*4X24F**	OLV098A12A	1.01	1.02	ENH4X24*17**	*9MV*0401410A**	1.06
ED*4X24F**	OMV098J12A	1.01	1.02	ENH4X24*17**	*9MV*0601714A**	1.05
ED*4X24F**	-	0.98	1.12	ENH4X24*17**	*9MV*0801716A**	1.02
EHD4X24A**	*9MA*0601714A**	1.00	1.05	ENH4X24*17**	*9MX*0401410A**	1.03
EHD4X24A**	*9MA*0602120A**	1.01	1.04	ENH4X24*17**	NOMV106D12*	1.01
EHD4X24A**	*9MA*0801714A**	0.99	1.00	ENH4X24*17**	*9MPV050	1.06
EHD4X24A**	*9MV*0401410A**	1.00	1.07	ENH4X24*17**	*9MVX040	1.06
EHD4X24A**	*9MV*0601714A**	1.00	1.05	ENH4X24*17**	OLV098A12A	1.02
EHD4X24A**	*9MV*0801716A**	1.01	1.01	ENH4X24*17**	OMV098J12A	1.02
EHD4X24A**	*9MV*0802120A**	1.01	1.02	ENH4X24*17**	-	1.10
EHD4X24A**	*9MV*1002120A**	1.01	1.02	FEA4X18**A*	-	1.04
EHD4X24A**	*9MX*0401410A**	0.99	1.04	FEA4X24**A*	-	1.01
EHD4X24A**	MV08B15**B*	0.98	0.99	FEM4P18**A*	-	1.00
EHD4X24A**	*8MPV050	0.98	0.99	FEM4P18**A*	-	1.00
EHD4X24A**	*9MPV050	0.98	1.03	FEM4P24**A*	-	1.04
EHD4X24A**	*9MPV075	0.98	1.03	FEM4P24**A*	-	1.00
EHD4X24A**	*9MVX040	0.98	1.03	FEM4X18****	-	1.04
EHD4X24A**	*9MVX060	0.98	1.03	FEM4X24****	-	1.00
EHD4X24A**	OLV098A12A	1.01	1.02	FS(M,U)4P18**A*	-	1.07
EHD4X24A**	OMV098J12A	1.01	1.02	FS(M,U)4P18**A*	-	1.08
EHD4X24A**	-	0.98	1.12	FS(M,U)4P24**A*	-	1.07
EHD4X24A***)	*8MV*0701412**	0.98	0.99	FS(M,U)4P24**A*	-	1.09
EHD4X24A***)	*8MV*0901716**	0.98	0.99	FS(M,U)4X18****	-	1.11
EHD4X24A***)	*8MX*0451408**	0.99	1.00	FSA4X18**A*	-	1.11
EHD4X24A***)	NOMV106D12*	1.01	1.01	FSA4X24**A*	-	1.12
EMA4X24D**	-	0.98	1.12	FVM4X24****	-	1.01
				FXM4X24**A*	-	1.01
COOLING Multiplying Factors for other Indoor Combinations						
Indoor Model	Furnace Model	CAPACITY (MBh)	Power (AMPS)	Indoor Model	Furnace Model	Power (AMPS)

COOLING Multiplying Factors for other Indoor Combinations

(C,H,T)XH524

Indoor Model	Furnace Model	CAPACITY (MBh)	Power (AMPS)	Indoor Model	Furnace Model	CAPACITY (MBh)	Power (AMPS)
*FXM4X24**A*	-	1.00	1.00	EHD4X30A**	*9MVX080	1.00	1.00
EA*4X24*14A*	*8MV*0701412**	0.98	1.00	EHD4X30A**	*9MVX100	1.00	1.00
EA*4X24*14A*	*8MX*0451408**	0.98	1.01	EHD4X30A**	OLV098A12A	1.00	1.00
EA*4X24*14A*	*9MV*0401410A**	0.98	1.03	EHD4X30A**	OMV098J12A	1.00	1.00
EA*4X24*14A*	*9MX*0401410A**	0.98	1.07	EHD4X30A**	-	0.99	1.11
EA*4X24*14A*	-	0.98	1.10	EHD4X30A**	OMV098J12	0.98	0.98
EA*4X24*17A*	*8MV*0901716**	0.98	0.98	EMA4X24D**	-	0.98	1.10
EA*4X24*17A*	*9MA*0601714A**	0.98	0.98	EN(A,D)4X24*14**	*8MV*0701412**	0.98	0.98
EA*4X24*17A*	*9MA*0801714A**	0.98	0.98	EN(A,D)4X24*14**	*8MX*0451408**	0.98	0.98
EA*4X24*17A*	*9MV*0401410A**	0.98	1.03	EN(A,D)4X24*14**	*9MV*0401410A**	0.97	1.03
EA*4X24*17A*	*9MV*0601714A**	0.98	0.99	EN(A,D)4X24*14**	*9MX*0401410A**	0.98	1.07
EA*4X24*17A*	*9MV*0801716A**	0.98	0.98	EN(A,D)4X24*14**	-	0.98	1.09
EA*4X24*17A*	*9MX*0401410A**	0.98	1.07	EN(A,D)4X24*17**	*8MV*0901716**	0.98	0.98
EA*4X24*17A*	*9MX*0601714A**	0.98	0.98	EN(A,D)4X24*17**	*9MA*0601714A**	0.98	0.99
EA*4X24*17A*	-	0.98	1.10	EN(A,D)4X24*17**	*9MA*0801714A**	0.98	0.98
EA*4X30*14A*	*8MV*0701412**	0.98	1.01	EN(A,D)4X24*17**	*9MV*0401410A**	0.97	1.03
EA*4X30*14A*	*8MX*0451408**	0.99	1.02	EN(A,D)4X24*17**	*9MV*0601714A**	0.98	0.99
EA*4X30*14A*	*9MV*0401410A**	0.98	1.03	EN(A,D)4X24*17**	*9MV*0801716A**	0.98	0.98
EA*4X30*14A*	*9MX*0401410A**	0.99	1.06	EN(A,D)4X24*17**	*9MX*0401410A**	0.98	1.07
EA*4X30*14A*	-	0.99	1.11	EN(A,D)4X24*17**	*9MX*0601714A**	0.98	0.98
EA*4X30*17A*	*8MV*0901716**	0.99	0.99	EN(A,D)4X24*17**	NOMV106D12*	0.98	0.98
EA*4X30*17A*	*9MA*0601714A**	0.98	0.98	EN(A,D)4X24*17**	*9MPV050	0.98	1.02
EA*4X30*17A*	*9MA*0801714A**	0.98	0.98	EN(A,D)4X24*17**	*9MVX040	0.98	1.02
EA*4X30*17A*	*9MV*0401410A**	0.98	1.03	EN(A,D)4X24*17**	OLV098A12A	0.99	1.03
EA*4X30*17A*	*9MV*0601714A**	0.99	0.99	EN(A,D)4X24*17**	OMV098J12A	0.99	1.03
EA*4X30*17A*	*9MV*0801716A**	1.00	0.98	EN(A,D)4X24*17**	OMV098J12	0.98	1.02
EA*4X30*17A*	*9MX*0401410A**	1.00	1.07	EN(A,D)4X24*17**	-	0.98	1.09
EA*4X30*17A*	*9MX*0601714A**	0.99	0.98	EN(A,D)4X30*14**	*8MV*0701412**	0.98	0.98
EA*4X30*17A*	-	0.99	1.11	EN(A,D)4X30*14**	*8MX*0451408**	0.98	0.98
ED*4X24B**	*8MV*0701412**	0.98	0.98	EN(A,D)4X30*14**	*9MV*0401410A**	0.98	1.03
ED*4X24B**	*8MX*0451408**	0.98	0.98	EN(A,D)4X30*14**	*9MX*0401410A**	0.99	1.06
ED*4X24B**	*9MV*0401410A**	0.98	1.03	EN(A,D)4X30*14**	-	0.98	1.09
ED*4X24B**	*9MX*0401410A**	0.98	1.07	EN(A,D)4X30*17**	*8MV*0901716**	0.98	0.98
ED*4X24B**	MV08B15**B*	0.99	0.99	EN(A,D)4X30*17**	*9MA*0601714A**	0.98	0.98

COOLING Multiplying Factors for other Indoor Combinations

Indoor Model	Furnace Model	CAPACITY (MBh)	Power (AMPS)	Indoor Model	Furnace Model	CAPACITY (MBh)	Power (AMPS)
ED*4X24B**	*8MPV050	1.00	1.04	EN(A,D)4X30*17**	*9MA*0801714A**	0.98	0.98
ED*4X24B**	-	0.98	1.10	EN(A,D)4X30*17**	*9MV*0401410A**	0.98	1.03
ED*4X24F**	*8MV*0901716**	0.98	0.98	EN(A,D)4X30*17**	*9MV*0601714A**	0.99	0.99
ED*4X24F**	*9MA*0601714A**	0.98	0.98	EN(A,D)4X30*17**	*9MV*0801716A**	1.00	0.98
ED*4X24F**	*9MA*0801714A**	0.98	0.98	EN(A,D)4X30*17**	*9MX*0401410A**	1.00	1.07
ED*4X24F**	*9MV*0601714A**	0.98	0.99	EN(A,D)4X30*17**	*9MX*0601714A**	0.99	0.98
ED*4X24F**	*9MV*0801716A**	0.98	0.98	EN(A,D)4X30*17**	NOMV106D12*	0.98	0.98
ED*4X24F**	*9MX*0601714A**	0.98	0.98	EN(A,D)4X30*17**	*9MPV050	1.00	1.01
ED*4X24F**	MV12F19**B*	0.99	0.99	EN(A,D)4X30*17**	*9MPV075	1.00	1.04
ED*4X24F**	NOMV106D12*	0.98	0.98	EN(A,D)4X30*17**	*9MVX040	1.00	1.04
ED*4X24F**	*8MPV075	1.00	1.00	EN(A,D)4X30*17**	*9MVX060	1.00	1.00
ED*4X24F**	*9MPV050	0.99	1.03	EN(A,D)4X30*17**	OLV098A12A	1.00	1.00
ED*4X24F**	*9MPV075	0.99	1.03	EN(A,D)4X30*17**	OMV098J12A	1.00	1.00
ED*4X24F**	*9MVX040	0.99	1.03	EN(A,D)4X30*17**	OMV098J12	0.99	0.99
ED*4X24F**	*9MVX060	1.00	1.04	EN(A,D)4X30*17**	-	0.98	1.09
ED*4X24F**	OLV098A12A	0.99	0.99	EN(A,D)4X31*17**	*8MV*0901716**	0.98	0.94
ED*4X24F**	OMV098J12A	0.99	1.00	EN(A,D)4X31*17**	*9MA*0601714A**	1.00	0.98
ED*4X24F**	-	0.98	1.10	EN(A,D)4X31*17**	*9MA*0801714A**	1.00	0.98
ED*4X24F**	OMV098J12	0.98	0.99	EN(A,D)4X31*17**	*9MV*0401410A**	1.00	1.04
ED*4X30B**	*8MV*0701412**	0.98	0.98	EN(A,D)4X31*17**	*9MV*0601714A**	1.00	0.98
ED*4X30B**	*8MX*0451408**	0.98	0.98	EN(A,D)4X31*17**	*9MV*0801716A**	1.00	0.98
ED*4X30B**	*9MV*0401410A**	0.98	1.03	EN(A,D)4X31*17**	*9MX*0401410A**	1.00	1.05
ED*4X30B**	*9MX*0401410A**	0.99	1.06	EN(A,D)4X31*17**	*9MX*0601714A**	1.00	0.98
ED*4X30B**	MV08B15**B*	1.00	1.00	EN(A,D)4X31*17**	NOMV106D12*	1.00	1.00
ED*4X30B**	*8MPV050	1.00	1.04	EN(A,D)4X31*17**	*9MPV050	1.00	1.00
ED*4X30B**	-	0.99	1.11	EN(A,D)4X31*17**	*9MPV075	1.00	1.00
ED*4X30F**	*8MV*0901716**	0.98	0.98	EN(A,D)4X31*17**	*9MVX040	1.00	1.00
ED*4X30F**	*9MA*0601714A**	0.98	0.98	EN(A,D)4X31*17**	*9MVX060	1.00	1.00
ED*4X30F**	*9MA*0801714A**	0.98	0.98	EN(A,D)4X31*17**	OLV098A12A	1.00	1.00
ED*4X30F**	*9MV*0601714A**	0.99	0.99	EN(A,D)4X31*17**	OMV098J12A	1.00	1.00
ED*4X30F**	*9MV*0801716A**	1.00	0.98	EN(A,D)4X31*17**	-	0.98	1.06
ED*4X30F**	*9MX*0601714A**	0.99	0.98	END4X31*17**	OMV098J12	1.00	1.00
ED*4X30F**	MV12F19**B*	1.00	0.97	ENH4X24*17**	*8MV*0701412**	0.98	0.98
ED*4X30F**	NOMV106D12*	0.98	0.98	ENH4X24*17**	*8MV*0901716**	0.98	0.98
ED*4X30F**	*8MPV075	1.00	1.00	ENH4X24*17**	*8MV*1102120**	0.98	0.98

COOLING Multiplying Factors for other Indoor Combinations

Indoor Model	Furnace Model	CAPACITY (MBh)	Power (AMPS)	Indoor Model	Furnace Model	CAPACITY (MBh)	Power (AMPS)
ED*4X30F**	*9MPV050	1.00	1.04	ENH4X24*17**	*8MV*1352422**	0.98	0.98
ED*4X30F**	*9MPV075	1.00	1.04	ENH4X24*17**	*8MX*0451408**	0.98	1.02
ED*4X30F**	*9MVX040	1.00	1.04	ENH4X24*17**	*9MA*0601714A**	0.98	0.99
ED*4X30F**	*9MVX060	1.00	1.00	ENH4X24*17**	*9MA*0801714A**	0.98	0.98
ED*4X30F**	OLV098A12A	1.00	1.00	ENH4X24*17**	*9MA*1202422A**	0.98	0.98
ED*4X30F**	OMV098J12A	1.00	1.00	ENH4X24*17**	*9MV*0401410A**	0.97	1.03
ED*4X30F**	-	0.99	1.11	ENH4X24*17**	*9MV*0601714A**	0.98	0.99
ED*4X30F**	OMV098J12	0.99	0.99	ENH4X24*17**	*9MV*0801716A**	0.98	0.98
EHD4X24A**	*9MA*0601714A**	0.99	1.00	ENH4X24*17**	*9MV*1202422A**	0.98	0.98
EHD4X24A**	*9MA*0602120A**	0.99	1.02	ENH4X24*17**	*9MX*0401410A**	0.98	1.07
EHD4X24A**	*9MA*0801714A**	0.98	0.98	ENH4X24*17**	*9MX*0601714A**	0.98	0.98
EHD4X24A**	*9MA*0802120A**	1.00	1.02	ENH4X24*17**	NOMV106D12*	0.98	0.98
EHD4X24A**	*9MA*1002122A**	1.00	1.00	ENH4X24*17**	*9MA*1002120A**	0.99	1.00
EHD4X24A**	*9MA*1202422A**	1.00	1.00	ENH4X24*17**	*9MPV050	0.98	1.02
EHD4X24A**	*9MV*0401410A**	0.98	1.03	ENH4X24*17**	*9MVX040	0.98	1.02
EHD4X24A**	*9MV*0601714A**	0.98	0.99	ENH4X24*17**	OLV098A12A	0.99	1.03
EHD4X24A**	*9MV*0801716A**	0.98	0.98	ENH4X24*17**	OMV098J12A	0.99	1.03
EHD4X24A**	*9MV*0802120A**	0.98	1.00	ENH4X24*17**	OMV098J12	0.98	1.02
EHD4X24A**	*9MV*1002120A**	0.98	0.98	ENH4X24*17**	-	0.98	1.09
EHD4X24A**	*9MV*1202422A**	0.98	0.98	ENH4X30*17**	*8MV*0701412**	0.98	0.98
EHD4X24A**	*9MX*0401410A**	0.99	1.06	ENH4X30*17**	*8MV*0901716**	0.98	0.98
EHD4X24A**	*9MX*0601714A**	0.98	0.98	ENH4X30*17**	*8MV*1102120**	0.98	0.98
EHD4X24A**	MV08B15**B*	0.99	0.99	ENH4X30*17**	*8MV*1352422**	0.98	0.98
EHD4X24A**	MV12F19**B*	1.00	1.00	ENH4X30*17**	*8MX*0451408**	0.98	0.98
EHD4X24A**	*8MPV050	1.00	1.04	ENH4X30*17**	*9MA*0601714A**	0.98	0.98
EHD4X24A**	*8MPV075	1.00	1.04	ENH4X30*17**	*9MA*0801714A**	0.98	0.98
EHD4X24A**	*8MPV100	1.00	1.00	ENH4X30*17**	*9MA*1202422A**	0.99	0.98
EHD4X24A**	*8MPV125	1.00	1.00	ENH4X30*17**	*9MV*0401410A**	0.98	1.03
EHD4X24A**	*9MA*1002120A**	1.00	1.00	ENH4X30*17**	*9MV*0601714A**	0.99	0.99
EHD4X24A**	*9MPV050	0.99	1.03	ENH4X30*17**	*9MV*0801716A**	1.00	0.98
EHD4X24A**	*9MPV075	0.99	1.03	ENH4X30*17**	*9MV*1202422A**	1.00	0.98
EHD4X24A**	*9MPV100	1.00	1.04	ENH4X30*17**	*9MX*0401410A**	1.00	1.07
EHD4X24A**	*9MPV125	1.00	1.00	ENH4X30*17**	*9MX*0601714A**	0.99	0.98
EHD4X24A**	*9MVX040	0.99	1.03	ENH4X30*17**	NOMV106D12*	0.98	0.98
EHD4X24A**	*9MVX060	1.00	1.04	ENH4X30*17**	*9MA*1002120A**	1.00	0.99

COOLING Multiplying Factors for other Indoor Combinations

Indoor Model	Furnace Model	CAPACITY (MBh)	Power (AMPS)	Indoor Model	Furnace Model	CAPACITY (MBh)	Power (AMPS)
EHD4X24A**	*9MVX080	1.00	1.04	ENH4X30*17**	*9MPV050	1.00	1.01
EHD4X24A**	*9MVX100	1.00	1.00	ENH4X30*17**	*9MPV075	1.00	1.04
EHD4X24A**	OLV098A12A	1.00	1.00	ENH4X30*17**	*9MV*1002116A**	0.99	0.98
EHD4X24A**	OMV098J12A	1.00	1.04	ENH4X30*17**	*9MVX040	1.00	1.04
EHD4X24A**	-	0.98	1.10	ENH4X30*17**	*9MVX060	1.00	1.00
EHD4X24A**	OMV098J12	0.98	1.02	ENH4X30*17**	OLV098A12A	1.00	1.00
EHD4X24A** ¹⁾	*8MV*0701412**	0.98	0.98	ENH4X30*17**	OMV098J12A	1.00	1.00
EHD4X24A** ²⁾	*8MV*0901716**	0.98	0.98	ENH4X30*17**	OMV098J12	0.98	0.98
EHD4X24A** ³⁾	*8MV*1102120**	0.98	0.98	ENH4X30*17**	-	0.98	1.09
EHD4X24A** ⁴⁾	*8MV*1352422**	0.98	0.98	ENH4X31*17**	*9MA*0601714A**	1.00	0.98
EHD4X24A** ⁵⁾	*8MX*0451408**	0.98	0.98	ENH4X31*17**	*9MA*0801714A**	1.00	0.98
EHD4X24A** ⁶⁾	NOMV106D12*	0.98	0.99	ENH4X31*17**	*9MA*1202422A**	1.00	0.97
EHD4X30A**	*8MV*0701412**	0.98	0.98	ENH4X31*17**	*9MV*0401410A**	1.00	1.04
EHD4X30A**	*8MV*0901716**	0.98	0.98	ENH4X31*17**	*9MV*0601714A**	1.00	0.98
EHD4X30A**	*8MV*1102120**	0.98	0.98	ENH4X31*17**	*9MV*0801716A**	1.00	0.98
EHD4X30A**	*8MV*1352422**	0.98	0.98	ENH4X31*17**	*9MV*1202422A**	1.00	0.96
EHD4X30A**	*8MX*0451408**	0.98	0.98	ENH4X31*17**	*9MX*0401410A**	1.00	1.05
EHD4X30A**	*9MA*0601714A**	0.99	0.99	ENH4X31*17**	*9MX*0601714A**	1.00	0.98
EHD4X30A**	*9MA*0602120A**	1.00	1.00	ENH4X31*17**	NOMV106D12*	1.00	1.00
EHD4X30A**	*9MA*0801714A**	0.99	0.98	ENH4X31*17**	*9MA*1002120A**	1.00	0.98
EHD4X30A**	*9MA*0802120A**	1.00	1.00	ENH4X31*17**	*9MPV050	1.00	1.00
EHD4X30A**	*9MA*1202422A**	1.00	0.98	ENH4X31*17**	*9MPV075	1.00	1.00
EHD4X30A**	*9MV*0401410A**	0.98	1.03	ENH4X31*17**	*9MV*1002116A**	1.00	0.98
EHD4X30A**	*9MV*0601714A**	0.99	0.99	ENH4X31*17**	*9MVX040	1.00	1.00
EHD4X30A**	*9MV*0801716A**	1.00	0.98	ENH4X31*17**	*9MVX060	1.00	1.00
EHD4X30A**	*9MV*0802120A**	1.00	1.00	ENH4X31*17**	OLV098A12A	1.00	1.00
EHD4X30A**	*9MV*1002120A**	1.00	1.00	ENH4X31*17**	OMV098J12A	1.00	1.00
EHD4X30A**	*9MV*1202422A**	1.00	0.98	ENH4X31*17**	OMV098J12	1.00	1.00
EHD4X30A**	*9MX*0401410A**	1.00	1.06	FEA4X24**A*	-	1.00	1.04
EHD4X30A**	*9MX*0601714A**	0.99	0.98	FEA4X30**A*	-	1.00	1.04
EHD4X30A**	MV08B15**B*	1.00	0.97	FEM4P24**A*	-	0.98	1.02
EHD4X30A**	MV12F19**B*	1.00	0.97	FEM4P24**A*	-	0.98	1.06
EHD4X30A**	NOMV106D12*	0.99	0.99	FEM4P30**A*	-	1.00	1.00
EHD4X30A**	*8MPV050	1.00	1.04	FEM4P30**A*	-	1.00	1.04
EHD4X30A**	*8MPV075	1.00	1.00	FEM4X24****	-	0.99	1.03

COOLING Multiplying Factors for other Indoor Combinations

Indoor Model	Furnace Model	CAPACITY (MBh)	Power (AMPS)	Indoor Model	Furnace Model	CAPACITY (MBh)	Power (AMPS)
EHD4X30A**	*8MPV100	1.00	1.00	FEM4X30***	-	1.00	1.00
EHD4X30A**	*8MPV125	1.00	1.00	FS(M,U)4P24**A*	-	0.98	1.02
EHD4X30A**	*9MA*1002120A**	1.00	0.99	FS(M,U)4P24**A*	-	0.99	1.08
EHD4X30A**	*9MPV050	1.00	1.04	FS(M,U)4P30**A*	-	0.98	1.02
EHD4X30A**	*9MPV075	1.00	1.04	FS(M,U)4P30**A*	-	1.00	1.09
EHD4X30A**	*9MPV100	1.00	1.00	FS(M,U)4X24****	-	0.98	1.09
EHD4X30A**	*9MPV125	1.00	1.00	FS(M,U)4X30****	-	0.99	1.11
EHD4X30A**	*9MV*1002116A**	0.99	0.98	FSA4X24**A*	-	0.98	1.09
EHD4X30A**	*9MVX040	1.00	1.04	FSA4X30**A*	-	0.98	1.10
EHD4X30A**	*9MVX060	1.00	1.04	FVM4X24****	-	1.00	1.00
				FVM4X36****	-	1.00	1.00
				FXM4X30**A*	-	1.00	1.00

COOLING Multiplying Factors for other Indoor Combinations

Indoor Model	Furnace Model	CAPACITY (MBh)	Power (AMPS)	Indoor Model	Furnace Model	CAPACITY (MBh)	Power (AMPS)
*FXM4X30**A*	-	1.00	1.00	EN(A,D)4X30*17**	*8MV*0901716**	0.97	0.97
EA*4X30*14A*	*8MV*0701412**	0.97	1.01	EN(A,D)4X30*17**	*8MX*0701716**	0.97	1.01
EA*4X30*14A*	-	0.97	1.09	EN(A,D)4X30*17**	*9MA*0601714A**	0.97	1.01
EA*4X30*17A*	*8MV*0901716**	0.97	1.00	EN(A,D)4X30*17**	*9MA*0801714A**	0.97	1.01
EA*4X30*17A*	*8MX*0701716**	0.97	1.01	EN(A,D)4X30*17**	*9MV*0601714A**	0.97	1.01
EA*4X30*17A*	*9MA*0601714A**	0.97	1.01	EN(A,D)4X30*17**	*9MV*0801716A**	0.97	1.01
EA*4X30*17A*	*9MA*0801714A**	0.97	1.01	EN(A,D)4X30*17**	*9MX*0601714A**	0.97	1.01
EA*4X30*17A*	*9MV*0601714A**	0.97	1.01	EN(A,D)4X30*17**	*9MX*0801716A**	0.98	1.02
EA*4X30*17A*	*9MV*0801716A**	0.97	1.01	EN(A,D)4X30*17**	NOMV106D12*	0.97	0.97
EA*4X30*17A*	*9MX*0601714A**	0.97	1.01	EN(A,D)4X30*17**	*9MPV050	0.97	1.01
EA*4X30*17A*	*9MX*0801716A**	0.98	1.02	EN(A,D)4X30*17**	*9MPV075	0.97	1.01
EA*4X30*17A*	-	0.97	1.09	EN(A,D)4X30*17**	*9MVX040	0.97	1.01
EA*4X36*14A*	*8MV*0701412**	0.97	1.00	EN(A,D)4X30*17**	*9MVX060	0.97	1.01
EA*4X36*14A*	-	0.97	1.09	EN(A,D)4X30*17**	OLV098A12A	0.97	1.01
EA*4X36*17A*	*8MV*0901716**	0.97	0.97	EN(A,D)4X30*17**	OMV098J12A	0.97	1.01
EA*4X36*17A*	*8MX*0701716**	0.98	1.02	EN(A,D)4X30*17**	OMV112K14A	0.97	0.97
EA*4X36*17A*	*9MA*0601714A**	0.97	1.01	EN(A,D)4X30*17**	-	0.97	1.09
EA*4X36*17A*	*9MA*0801714A**	0.97	1.01	EN(A,D)4X31*17**	*8MV*0901716**	0.99	0.99
EA*4X36*17A*	*9MV*0601714A**	0.97	1.01	EN(A,D)4X31*17**	*8MX*0701716**	1.00	1.00

(C,H,T)XH530

COOLING Multiplying Factors for other Indoor Combinations

Indoor Model	Furnace Model	Indoor Model	Furnace Model	CAPACITY (MBh)	Power (AMPS)	Indoor Model	Furnace Model	CAPACITY (MBh)	Power (AMPS)
EA*4X36*17A*	*9MV*0801716A**	EN(A,D)4X31*17**	*9MA*0601714A**	0.98	1.02	EN(A,D)4X31*17**	*9MA*0601714A**	0.99	1.03
EA*4X36*17A*	*9MX*0601714A**	EN(A,D)4X31*17**	*9MA*0801714A**	0.98	1.02	EN(A,D)4X31*17**	*9MA*0801714A**	0.99	0.99
EA*4X36*17A*	*9MX*0801716A**	EN(A,D)4X31*17**	*9MV*0601714A**	0.99	1.03	EN(A,D)4X31*17**	*9MV*0601714A**	0.99	0.99
EA*4X36*17A*	-	EN(A,D)4X31*17**	*9MV*0801716A**	0.97	1.09	EN(A,D)4X31*17**	*9MV*0801716A**	0.99	0.99
EA*4X36*21A*	*8MV*1102120**	EN(A,D)4X31*17**	*9MX*0601714A**	0.98	0.98	EN(A,D)4X31*17**	*9MX*0601714A**	1.00	1.00
EA*4X36*21A*	*8MX*0902116**	EN(A,D)4X31*17**	*9MX*0801716A**	0.99	1.01	EN(A,D)4X31*17**	*9MX*0801716A**	1.01	1.01
EA*4X36*21A*	*9MA*0601714A**	EN(A,D)4X31*17**	NOMV106D12*	0.97	1.01	EN(A,D)4X31*17**	NOMV106D12*	0.99	0.99
EA*4X36*21A*	*9MA*0602120A**	EN(A,D)4X31*17**	*9MPV050	0.98	1.00	EN(A,D)4X31*17**	*9MPV050	0.99	1.03
EA*4X36*21A*	*9MA*0801714A**	EN(A,D)4X31*17**	*9MPV075	0.98	0.98	EN(A,D)4X31*17**	*9MPV075	0.99	1.03
EA*4X36*21A*	*9MA*0802120A**	EN(A,D)4X31*17**	*9MVX040	0.98	1.00	EN(A,D)4X31*17**	*9MVX040	0.99	1.03
EA*4X36*21A*	*9MV*0601714A**	EN(A,D)4X31*17**	*9MVX060	0.97	1.01	EN(A,D)4X31*17**	*9MVX060	1.00	1.01
EA*4X36*21A*	*9MV*0801716A**	EN(A,D)4X31*17**	OLV098A12A	0.98	0.98	EN(A,D)4X31*17**	OLV098A12A	0.99	0.99
EA*4X36*21A*	*9MV*0802120A**	EN(A,D)4X31*17**	OMV098J12A	0.98	0.98	EN(A,D)4X31*17**	OMV098J12A	0.99	1.00
EA*4X36*21A*	*9MX*0601714A**	EN(A,D)4X31*17**	OMV112K14A	0.98	0.98	EN(A,D)4X31*17**	OMV112K14A	1.00	1.00
EA*4X36*21A*	*9MX*0801716A**	EN(A,D)4X31*17**	-	0.98	1.02	EN(A,D)4X31*17**	-	1.00	1.09
EA*4X36*21A*	*9MA*1002120A**	EN(A,D)4X36*21**	*8MV*1102120**	0.99	1.03	EN(A,D)4X36*21**	*8MV*1102120**	0.97	0.97
EA*4X36*21A*	*9MV*1002120A**	EN(A,D)4X36*21**	*8MX*0902116**	0.98	0.98	EN(A,D)4X36*21**	*8MX*0902116**	0.98	0.98
EA*4X36*21A*	*9MV*1002116A**	EN(A,D)4X36*21**	*9MA*0601714A**	0.98	0.98	EN(A,D)4X36*21**	*9MA*0601714A**	0.97	1.01
EA*4X36*21A*	-	EN(A,D)4X36*21**	*9MA*0602120A**	0.97	1.09	EN(A,D)4X36*21**	*9MA*0602120A**	0.97	1.01
ED*4X30B**	*8MV*0701412**	EN(A,D)4X36*21**	*9MA*0801714A**	0.97	1.01	EN(A,D)4X36*21**	*9MA*0801714A**	0.97	1.01
ED*4X30B**	MV08B15**B*	EN(A,D)4X36*21**	*9MA*0802120A**	0.98	0.98	EN(A,D)4X36*21**	*9MA*0802120A**	0.97	1.00
ED*4X30B**	*8MPV050	EN(A,D)4X36*21**	*9MV*0601714A**	0.97	1.06	EN(A,D)4X36*21**	*9MV*0601714A**	0.97	1.01
ED*4X30B**	-	EN(A,D)4X36*21**	*9MV*0801716A**	0.97	1.09	EN(A,D)4X36*21**	*9MV*0801716A**	0.97	1.01
ED*4X30F**	*8MV*0901716**	EN(A,D)4X36*21**	*9MV*0902116**	0.97	0.97	EN(A,D)4X36*21**	*9MV*0902116**	0.97	1.00
ED*4X30F**	*8MX*0701716**	EN(A,D)4X36*21**	*8MX*0701716**	0.97	1.01	EN(A,D)4X36*21**	*8MX*0701716**	0.97	0.99
ED*4X30F**	*9MA*0601714A**	EN(A,D)4X36*21**	*9MA*0601714A**	0.97	1.01	EN(A,D)4X36*21**	*9MA*0601714A**	0.97	1.01
ED*4X30F**	*9MA*0801714A**	EN(A,D)4X36*21**	*9MA*0801714A**	0.97	1.01	EN(A,D)4X36*21**	*9MA*0801714A**	0.98	1.02
ED*4X30F**	*9MV*0601714A**	EN(A,D)4X36*21**	*9MV*0601714A**	0.97	1.01	EN(A,D)4X36*21**	*9MV*0601714A**	0.98	1.02
ED*4X30F**	*9MV*0801716A**	EN(A,D)4X36*21**	*9MV*0801716A**	0.97	1.01	EN(A,D)4X36*21**	*9MV*0801716A**	0.98	1.02
ED*4X30F**	*9MX*0601714A**	EN(A,D)4X36*21**	*9MPV050	0.97	1.01	EN(A,D)4X36*21**	*9MPV050	0.97	1.01
ED*4X30F**	*9MX*0801716A**	EN(A,D)4X36*21**	*9MPV075	0.97	1.01	EN(A,D)4X36*21**	*9MPV075	0.97	1.01
ED*4X30F**	MV12F19**B*	EN(A,D)4X36*21**	*9MV*1002116A**	0.98	1.02	EN(A,D)4X36*21**	*9MV*1002116A**	0.98	0.99
ED*4X30F**	NOMV106D12*	EN(A,D)4X36*21**	*9MVX040	0.97	0.98	EN(A,D)4X36*21**	*9MVX040	0.97	1.01
ED*4X30F**	*8MPV075	EN(A,D)4X36*21**	*9MVX060	0.98	1.02	EN(A,D)4X36*21**	*9MVX060	0.98	1.02
ED*4X30F**	*9MPV050	EN(A,D)4X36*21**	*9MVX080	0.97	1.01	EN(A,D)4X36*21**	*9MVX080	0.99	0.99

COOLING Multiplying Factors for other Indoor Combinations

Indoor Model	Furnace Model	CAPACITY (MBh)	Power (AMPS)	Indoor Model	Furnace Model	CAPACITY (MBh)	Power (AMPS)
ED*4X30F**	*9MPV075	0.97	1.01	EN(A,D)4X36*21**	OLV098A12A	0.97	1.01
ED*4X30F**	*9MVX040	0.97	1.01	EN(A,D)4X36*21**	OLV112A16A	0.98	1.02
ED*4X30F**	*9MVX060	0.98	1.02	EN(A,D)4X36*21**	OMV098J12A	0.97	1.01
ED*4X30F**	OLV098A12A	0.97	1.01	EN(A,D)4X36*21**	OMV112K14A	0.98	0.98
ED*4X30F**	OLV112A16A	0.98	1.02	EN(A,D)4X36*21**	-	0.97	1.09
ED*4X30F**	OMV098J12A	0.97	1.01	EN(A,D)4X37*17**	*8MV*0901716**	1.01	0.97
ED*4X30F**	OMV112K14A	0.97	0.97	EN(A,D)4X37*17**	*8MX*0701716**	1.01	1.01
ED*4X30F**	-	0.97	1.09	EN(A,D)4X37*17**	*9MA*0601714A**	1.00	1.00
ED*4X36B**	*8MV*0701412**	0.97	1.01	EN(A,D)4X37*17**	*9MA*0801714A**	1.01	1.01
ED*4X36B**	MV08B15**B*	0.98	0.98	EN(A,D)4X37*17**	*9MV*0601714A**	1.01	1.01
ED*4X36B**	*8MPV050	0.97	1.06	EN(A,D)4X37*17**	*9MV*0801716A**	1.01	1.01
ED*4X36B**	-	0.97	1.09	EN(A,D)4X37*17**	*9MX*0601714A**	1.01	1.01
ED*4X36F**	*8MV*0901716**	0.97	0.97	EN(A,D)4X37*17**	*9MX*0801716A**	1.02	1.02
ED*4X36F**	*8MX*0701716**	0.98	1.02	EN(A,D)4X37*17**	NOMV106D12*	0.99	0.99
ED*4X36F**	*9MA*0601714A**	0.97	1.01	EN(A,D)4X37*17**	-	1.01	1.09
ED*4X36F**	*9MA*0801714A**	0.97	1.01	EN(A,D,W)4X36*17**	*8MV*0901716**	0.97	0.97
ED*4X36F**	*9MV*0601714A**	0.97	1.01	EN(A,D,W)4X36*17**	*8MX*0701716**	0.97	1.01
ED*4X36F**	*9MV*0801716A**	0.98	1.02	EN(A,D,W)4X36*17**	*9MA*0601714A**	0.97	1.01
ED*4X36F**	*9MX*0601714A**	0.98	1.02	EN(A,D,W)4X36*17**	*9MA*0801714A**	0.97	1.01
ED*4X36F**	*9MX*0801716A**	0.99	1.03	EN(A,D,W)4X36*17**	*9MV*0601714A**	0.97	1.01
ED*4X36F**	MV12F19**B*	0.99	0.99	EN(A,D,W)4X36*17**	*9MV*0801716A**	0.97	1.01
ED*4X36F**	NOMV106D12*	0.97	0.97	EN(A,D,W)4X36*17**	*9MX*0601714A**	0.97	1.01
ED*4X36F**	*8MPV075	0.99	1.03	EN(A,D,W)4X36*17**	*9MX*0801716A**	0.98	1.02
ED*4X36F**	*9MPV050	0.97	1.01	EN(A,D,W)4X36*17**	NOMV106D12*	0.97	0.97
ED*4X36F**	*9MPV075	0.98	1.02	EN(A,D,W)4X36*17**	*9MPV050	0.97	1.01
ED*4X36F**	*9MVX040	0.97	1.01	EN(A,D,W)4X36*17**	*9MPV075	0.97	1.01
ED*4X36F**	*9MVX060	0.98	1.02	EN(A,D,W)4X36*17**	*9MVX040	0.97	1.01
ED*4X36F**	OLV098A12A	0.97	1.01	EN(A,D,W)4X36*17**	*9MVX060	0.97	1.01
ED*4X36F**	OLV112A16A	0.98	0.98	EN(A,D,W)4X36*17**	OLV098A12A	0.97	1.01
ED*4X36F**	OMV098J12A	0.97	1.01	EN(A,D,W)4X36*17**	OMV098J12A	0.97	1.01
ED*4X36F**	OMV112K14A	0.98	0.98	EN(A,D,W)4X36*17**	OMV112K14A	0.97	0.97
ED*4X36F**	-	0.97	1.09	EN(A,D,W)4X36*17**	-	0.97	1.09
ED*4X36J**	*8MV*1102120**	0.97	0.97	ENH4X30*17**	*8MV*0701412**	0.97	1.01
ED*4X36J**	*8MX*0902116**	0.98	0.98	ENH4X30*17**	*8MV*0901716**	0.97	0.97
ED*4X36J**	*8MPV100	0.99	0.99	ENH4X30*17**	*8MV*1102120**	0.97	0.97

COOLING Multiplying Factors for other Indoor Combinations

Indoor Model	Furnace Model	Indoor Model	Indoor Model	Power (AMPS)	CAPACITY (MBh)	Power (AMPS)	CAPACITY (MBh)	Furnace Model	CAPACITY (MBh)	Power (AMPS)
ED*4X36J**	*8MPV125	ENH4X30*17**	ENH4X30*17**	0.99	0.99	0.99	0.97	*8MV*1352422**	0.97	0.97
ED*4X36J**	*9MA*1002120A**	ENH4X30*17**	ENH4X30*17**	0.98	0.98	0.98	0.97	*8MX*0701716**	0.97	1.01
ED*4X36J**	*9MPV100	ENH4X30*17**	ENH4X30*17**	0.99	0.99	0.99	0.97	*8MX*0902116**	0.97	1.01
ED*4X36J**	*9MV*1002116A**	ENH4X30*17**	ENH4X30*17**	0.98	0.98	0.98	0.97	*9MA*0601714A**	0.97	1.01
ED*4X36J**	*9MVX080	ENH4X30*17**	ENH4X30*17**	0.99	0.99	0.99	0.97	*9MA*0801714A**	0.97	1.01
ED*4X36J**	OLV112A16A	ENH4X30*17**	ENH4X30*17**	0.99	0.99	0.99	0.98	*9MA*1202422A**	0.98	0.98
ED*4X36J**	-	ENH4X30*17**	ENH4X30*17**	1.09	0.97	1.09	0.97	*9MV*0601714A**	0.97	1.01
EHD4X30A**	*8MV*0701412**	ENH4X30*17**	ENH4X30*17**	1.01	0.97	1.01	0.97	*9MV*0801716A**	0.97	1.01
EHD4X30A**	*8MV*0901716**	ENH4X30*17**	ENH4X30*17**	0.97	0.97	0.97	0.97	*9MV*1202422A**	0.97	0.97
EHD4X30A**	*8MV*1102120**	ENH4X30*17**	ENH4X30*17**	0.97	0.97	0.97	0.97	*9MX*0601714A**	0.97	1.01
EHD4X30A**	*8MV*1352422**	ENH4X30*17**	ENH4X30*17**	0.97	0.97	0.97	0.97	*9MX*0801716A**	0.98	1.02
EHD4X30A**	*8MX*0701716**	ENH4X30*17**	ENH4X30*17**	1.01	0.97	1.01	0.97	NOMV106D12*	0.97	0.97
EHD4X30A**	*8MX*0902116**	ENH4X30*17**	ENH4X30*17**	1.01	0.97	1.01	0.97	*9MA*1002120A**	0.98	1.02
EHD4X30A**	*9MA*0601714A**	ENH4X30*17**	ENH4X30*17**	1.01	0.97	1.01	0.97	*9MPV050	0.97	1.01
EHD4X30A**	*9MA*0602120A**	ENH4X30*17**	ENH4X30*17**	1.02	0.98	1.02	0.98	*9MPV075	0.97	1.01
EHD4X30A**	*9MA*0801714A**	ENH4X30*17**	ENH4X30*17**	1.02	0.98	1.02	0.98	*9MV*1002116A**	0.97	1.01
EHD4X30A**	*9MA*0802120A**	ENH4X30*17**	ENH4X30*17**	1.00	0.98	1.00	0.98	*9MVX040	0.97	1.01
EHD4X30A**	*9MA*1202422A**	ENH4X30*17**	ENH4X30*17**	0.98	0.98	0.98	0.98	*9MVX060	0.97	1.01
EHD4X30A**	*9MV*0601714A**	ENH4X30*17**	ENH4X30*17**	1.01	0.97	1.01	0.97	OLV098A12A	0.97	1.01
EHD4X30A**	*9MV*0801716A**	ENH4X30*17**	ENH4X30*17**	1.01	0.97	1.01	0.97	OLV112A16A	0.98	1.02
EHD4X30A**	*9MV*0802120A**	ENH4X30*17**	ENH4X30*17**	1.00	0.97	1.00	0.97	OMV098J12A	0.97	1.01
EHD4X30A**	*9MV*1002120A**	ENH4X30*17**	ENH4X30*17**	0.99	0.97	0.99	0.97	OMV112K14A	0.97	0.97
EHD4X30A**	*9MV*1202422A**	ENH4X30*17**	ENH4X30*17**	0.97	0.97	0.97	0.97	-	0.97	1.09
EHD4X30A**	*9MX*0601714A**	ENH4X31*17**	ENH4X31*17**	1.02	0.98	1.02	0.98	*9MA*0601714A**	0.99	0.99
EHD4X30A**	*9MX*0801716A**	ENH4X31*17**	ENH4X31*17**	1.03	0.99	1.03	0.99	*9MA*0801714A**	0.99	0.99
EHD4X30A**	MV08B15**B*	ENH4X31*17**	ENH4X31*17**	0.98	0.98	0.98	0.98	*9MA*1202422A**	1.00	1.00
EHD4X30A**	MV12F19**B*	ENH4X31*17**	ENH4X31*17**	0.98	0.98	0.98	0.98	*9MV*0601714A**	0.99	0.99
EHD4X30A**	NOMV106D12*	ENH4X31*17**	ENH4X31*17**	0.97	0.97	0.97	0.97	*9MV*0801716A**	0.99	0.99
EHD4X30A**	*8MPV050	ENH4X31*17**	ENH4X31*17**	1.06	0.97	1.06	0.97	*9MV*1202422A**	1.00	0.98
EHD4X30A**	*8MPV075	ENH4X31*17**	ENH4X31*17**	1.02	0.98	1.02	0.98	*9MX*0601714A**	1.00	1.00
EHD4X30A**	*8MPV100	ENH4X31*17**	ENH4X31*17**	0.99	0.99	0.99	0.99	*9MX*0801716A**	1.01	1.01
EHD4X30A**	*8MPV125	ENH4X31*17**	ENH4X31*17**	0.99	0.99	0.99	0.99	NOMV106D12*	0.99	0.99
EHD4X30A**	*9MA*1002120A**	ENH4X31*17**	ENH4X31*17**	1.02	0.98	1.02	0.98	*9MA*1002120A**	1.00	1.00
EHD4X30A**	*9MPV050	ENH4X31*17**	ENH4X31*17**	1.01	0.97	1.01	0.97	*9MPV050	0.99	1.03
EHD4X30A**	*9MPV075	ENH4X31*17**	ENH4X31*17**	1.01	0.97	1.01	0.97	*9MPV075	0.99	1.03

COOLING Multiplying Factors for other Indoor Combinations

Indoor Model	Furnace Model	CAPACITY (MBh)	Power (AMPS)	Indoor Model	Furnace Model	CAPACITY (MBh)	Power (AMPS)
EHD4X30A**	*9MPV100	0.98	1.02	ENH4X31*17**	*9MV*1002116A**	0.99	0.99
EHD4X30A**	*9MPV125	0.98	0.98	ENH4X31*17**	*9MVX040	0.99	1.03
EHD4X30A**	*9MV*1002116A**	0.97	1.01	ENH4X31*17**	*9MVX060	1.00	1.01
EHD4X30A**	*9MVX040	0.97	1.01	ENH4X31*17**	OLV098A12A	0.99	0.99
EHD4X30A**	*9MVX060	0.98	1.02	ENH4X31*17**	OLV112A16A	1.00	1.00
EHD4X30A**	*9MVX080	0.99	1.03	ENH4X31*17**	OMV098J12A	0.99	1.00
EHD4X30A**	*9MVX100	0.98	0.98	ENH4X31*17**	OMV112K14A	1.00	1.00
EHD4X30A**	OLV098A12A	0.97	1.01	ENH4X31*17**	-	1.00	1.09
EHD4X30A**	OLV112A16A	0.99	1.03	ENH4X36*17**	*8MV*0701412**	0.97	1.01
EHD4X30A**	OMV098J12A	0.97	1.01	ENH4X36*17**	*8MV*0901716**	0.97	0.97
EHD4X30A**	OMV112K14A	0.98	0.98	ENH4X36*17**	*8MV*1102120**	0.97	0.97
EHD4X30A**	-	0.97	1.09	ENH4X36*17**	*8MV*1352422**	0.97	0.97
EHD4X36A**	*8MV*0701412**	0.97	1.01	ENH4X36*17**	*8MX*0701716**	0.97	1.01
EHD4X36A**	*8MV*0901716**	0.97	0.97	ENH4X36*17**	*8MX*0902116**	0.98	0.98
EHD4X36A**	*8MV*1102120**	0.97	0.97	ENH4X36*17**	*9MA*0601714A**	0.97	1.01
EHD4X36A**	*8MV*1352422**	0.97	0.97	ENH4X36*17**	*9MA*0801714A**	0.97	1.01
EHD4X36A**	*8MX*0701716**	0.98	1.02	ENH4X36*17**	*9MA*1202422A**	0.98	0.98
EHD4X36A**	*8MX*0902116**	0.98	0.98	ENH4X36*17**	*9MV*0601714A**	0.97	1.01
EHD4X36A**	*9MA*0601714A**	0.99	1.03	ENH4X36*17**	*9MV*0801716A**	0.97	1.01
EHD4X36A**	*9MA*0602120A**	0.99	1.02	ENH4X36*17**	*9MV*1202422A**	0.97	0.97
EHD4X36A**	*9MA*0801714A**	0.99	0.99	ENH4X36*17**	*9MX*0601714A**	0.97	1.01
EHD4X36A**	*9MA*0802120A**	1.00	1.00	ENH4X36*17**	*9MX*0801716A**	0.98	1.02
EHD4X36A**	*9MV*0601714A**	0.99	0.99	ENH4X36*17**	NOMV106D12*	0.97	0.97
EHD4X36A**	*9MV*0801716A**	0.99	0.99	ENH4X36*17**	*9MA*1002120A**	0.98	1.02
EHD4X36A**	*9MV*0802120A**	0.99	0.99	ENH4X36*17**	*9MPV050	0.97	1.01
EHD4X36A**	*9MV*1002120A**	0.99	0.99	ENH4X36*17**	*9MPV075	0.97	1.01
EHD4X36A**	*9MV*1202422A**	1.00	1.00	ENH4X36*17**	*9MV*1002116A**	0.97	1.01
EHD4X36A**	*9MX*0601714A**	0.99	1.00	ENH4X36*17**	*9MVX040	0.97	1.01
EHD4X36A**	*9MX*0801716A**	0.99	1.00	ENH4X36*17**	*9MVX060	0.97	1.01
EHD4X36A**	MV08B15**B*	1.01	1.01	ENH4X36*17**	OLV098A12A	0.97	1.01
EHD4X36A**	MV12F19**B*	0.98	0.98	ENH4X36*17**	OLV112A16A	0.98	1.02
EHD4X36A**	NOMV106D12*	0.98	0.98	ENH4X36*17**	OMV098J12A	0.97	1.01
EHD4X36A**	*8MPV050	0.98	1.06	ENH4X36*17**	OMV112K14A	0.97	0.97
EHD4X36A**	*8MPV075	0.99	1.03	FEA4X30**A*	-	0.97	1.09
EHD4X36A**						0.98	1.02

COOLING Multiplying Factors for other Indoor Combinations

Indoor Model	Furnace Model	CAPACITY (MBh)	Power (AMPS)	Indoor Model	Furnace Model	CAPACITY (MBh)	Power (AMPS)
EHD4X36A**	*8MPV100	0.99	0.99	FEA4X36**A*	-	0.99	1.03
EHD4X36A**	*8MPV125	0.99	0.99	FEM4P30**A*	-	0.98	1.02
EHD4X36A**	*9MA*1002120A**	1.00	1.00	FEM4P30**A*	-	0.98	1.02
EHD4X36A**	*9MPV050	0.97	1.01	FEM4P36**A*	-	0.98	1.02
EHD4X36A**	*9MPV075	0.98	1.02	FEM4P36**A*	-	0.98	1.02
EHD4X36A**	*9MPV100	0.99	0.99	FEM4X30****	-	0.98	1.02
EHD4X36A**	*9MPV125	1.01	1.01	FEM4X36****	-	1.00	1.04
EHD4X36A**	*9MV*1002116A**	0.99	0.99	FS(M,U)4P30**A*	-	0.99	1.03
EHD4X36A**	*9MVX040	0.97	1.01	FS(M,U)4P30**A*	-	0.99	1.07
EHD4X36A**	*9MVX060	0.98	1.02	FS(M,U)4P36**A*	-	0.98	1.06
EHD4X36A**	*9MVX080	0.99	0.99	FS(M,U)4P36**A*	-	0.98	1.06
EHD4X36A**	*9MVX100	1.00	1.00	FS(M,U)4X30****	-	0.97	1.08
EHD4X36A**	OLV098A12A	0.99	0.99	FSA4X30**A*	-	0.96	1.07
EHD4X36A**	OLV112A16A	1.00	1.00	FSA4X36**A*	-	0.98	1.06
EHD4X36A**	OMV098J12A	0.99	1.00	FSM4X36****	-	0.99	1.08
EHD4X36A**	OMV112K14A	1.00	1.00	FSU4X36****	-	0.97	1.09
EHD4X36A**	-	0.97	1.09	FVM4X24****	-	0.98	0.98
EMA4X36D**	-	0.97	1.09	FVM4X36****	-	0.99	0.99
EN(A,D)4X30*14**	*8MV*0701412**	0.97	1.01	FVM4X48****	-	1.01	0.97
EN(A,D)4X30*14**	-	0.97	1.09	FXM4X36**A*	-	1.00	1.00

COOLING Multiplying Factors for other Indoor Combinations

Indoor Model	Furnace Model	CAPACITY (MBh)	Power (AMPS)	Indoor Model	Furnace Model	CAPACITY (MBh)	Power (AMPS)
(C,H,T)XH536							
*FXM4X36**A*	-	1.00	1.00	EN(A,D)4X36*21**	*9MA*0601714A**	0.94	1.03
EA*4X36*14A*	*8MV*0701412**	0.95	1.03	EN(A,D)4X36*21**	*9MA*0602120A**	0.95	1.01
EA*4X36*14A*	*8MX*0451408**	0.95	1.06	EN(A,D)4X36*21**	*9MA*0801714A**	0.95	1.00
EA*4X36*14A*	-	0.95	1.08	EN(A,D)4X36*21**	*9MA*0802120A**	0.95	0.99
EA*4X36*17A*	*8MV*0901716**	0.96	1.02	EN(A,D)4X36*21**	*9MA*1002122A**	0.96	1.00
EA*4X36*17A*	*8MX*0701716**	0.96	1.04	EN(A,D)4X36*21**	*9MV*0601714A**	0.95	1.04
EA*4X36*17A*	*9MA*0601714A**	0.95	1.03	EN(A,D)4X36*21**	*9MV*0801716A**	0.95	1.03
EA*4X36*17A*	*9MA*0801714A**	0.95	1.00	EN(A,D)4X36*21**	*9MV*0802120A**	0.95	1.02
EA*4X36*17A*	*9MV*0601714A**	0.95	1.04	EN(A,D)4X36*21**	*9MV*1002120A**	0.95	0.99
EA*4X36*17A*	*9MV*0801716A**	0.96	1.01	EN(A,D)4X36*21**	*9MX*0601714A**	0.95	1.04
EA*4X36*17A*	*9MX*0601714A**	0.96	1.04	EN(A,D)4X36*21**	*9MX*0801716A**	0.95	1.01

COOLING Multiplying Factors for other Indoor Combinations

Indoor Model	Furnace Model	CAPACITY (MBh)	Power (AMPS)	Indoor Model	Furnace Model	CAPACITY (MBh)	Power (AMPS)
EA*4X36*17A*	*9MX*0801716A**	0.95	1.01	EN(A,D)4X36*21**	NOMV156E19*	0.95	0.99
EA*4X36*17A*	-	0.97	1.09	EN(A,D)4X36*21**	*9MA*1002120A**	0.95	1.01
EA*4X36*21A*	*8MV*1102120**	0.96	1.00	EN(A,D)4X36*21**	*9MPV050	0.95	1.07
EA*4X36*21A*	*8MX*0902116**	0.97	1.01	EN(A,D)4X36*21**	*9MPV075	0.95	1.08
EA*4X36*21A*	*8MX*1102120**	0.98	1.01	EN(A,D)4X36*21**	*9MPV100	0.97	1.09
EA*4X36*21A*	*9MA*0601714A**	0.95	1.03	EN(A,D)4X36*21**	*9MV*1002116A**	0.96	1.01
EA*4X36*21A*	*9MA*0602120A**	0.95	1.02	EN(A,D)4X36*21**	*9MVX040	0.95	1.07
EA*4X36*21A*	*9MA*0801714A**	0.95	1.01	EN(A,D)4X36*21**	*9MVX060	0.96	1.09
EA*4X36*21A*	*9MA*0802120A**	0.96	1.00	EN(A,D)4X36*21**	*9MVX080	0.97	1.05
EA*4X36*21A*	*9MA*1002122A**	0.96	1.00	EN(A,D)4X36*21**	OLV098A12A	0.95	1.07
EA*4X36*21A*	*9MV*0601714A**	0.96	1.04	EN(A,D)4X36*21**	OLV112A16A	0.96	1.09
EA*4X36*21A*	*9MV*0801716A**	0.97	1.02	EN(A,D)4X36*21**	OMV098J12A	0.95	1.08
EA*4X36*21A*	*9MV*0802120A**	0.97	1.00	EN(A,D)4X36*21**	OMV112K14A	0.96	1.09
EA*4X36*21A*	*9MV*1002120A**	0.97	1.00	EN(A,D)4X36*21**	-	0.97	1.09
EA*4X36*21A*	*9MX*0601714A**	0.96	1.04	EN(A,D)4X37*17**	*8MV*0901716**	0.99	0.99
EA*4X36*21A*	*9MX*0801716A**	0.96	1.01	EN(A,D)4X37*17**	*8MX*0701716**	0.99	1.03
EA*4X36*21A*	*9MA*1002120A**	0.95	1.01	EN(A,D)4X37*17**	*9MA*0601714A**	0.98	1.02
EA*4X36*21A*	*9MV*1002116A**	0.97	1.02	EN(A,D)4X37*17**	*9MA*0801714A**	0.98	1.02
EA*4X36*21A*	-	0.97	1.09	EN(A,D)4X37*17**	*9MV*0601714A**	0.99	1.05
EA*4X42*21A*	*8MV*1102120**	0.97	1.01	EN(A,D)4X37*17**	*9MV*0801716A**	0.98	1.02
EA*4X42*21A*	*8MX*0902116**	0.98	1.01	EN(A,D)4X37*17**	*9MX*0601714A**	0.99	1.03
EA*4X42*21A*	*8MX*1102120**	0.98	1.00	EN(A,D)4X37*17**	*9MX*0801716A**	0.99	1.03
EA*4X42*21A*	*9MA*0601714A**	0.95	1.01	EN(A,D)4X37*17**	NOMV106D12*	0.99	1.03
EA*4X42*21A*	*9MA*0602120A**	0.96	1.00	EN(A,D)4X37*17**	*9MPV050	0.99	1.08
EA*4X42*21A*	*9MA*0801714A**	0.96	1.01	EN(A,D)4X37*17**	*9MPV075	0.99	1.04
EA*4X42*21A*	*9MA*0802120A**	0.97	1.00	EN(A,D)4X37*17**	*9MVX040	0.99	1.12
EA*4X42*21A*	*9MA*1002122A**	0.97	1.01	EN(A,D)4X37*17**	*9MVX060	1.00	1.04
EA*4X42*21A*	*9MV*0601714A**	0.97	1.05	EN(A,D)4X37*17**	OLV098A12A	0.99	1.03
EA*4X42*21A*	*9MV*0801716A**	0.97	1.02	EN(A,D)4X37*17**	OMV098J12A	0.99	1.03
EA*4X42*21A*	*9MV*0802120A**	0.97	1.01	EN(A,D)4X37*17**	OMV112K14A	0.99	1.03
EA*4X42*21A*	*9MV*1002120A**	0.97	1.01	EN(A,D)4X37*17**	-	1.01	1.09
EA*4X42*21A*	*9MX*0601714A**	0.97	1.05	EN(A,D)4X43*24**	*8MV*1352422**	1.00	1.00
EA*4X42*21A*	*9MX*0801716A**	0.97	1.02	EN(A,D)4X43*24**	*9MA*1202422A**	0.99	0.99
EA*4X42*21A*	*9MA*1002120A**	0.97	1.00	EN(A,D)4X43*24**	*9MV*1202422A**	0.99	0.99
EA*4X42*21A*	*9MV*1002116A**	0.97	1.02	EN(A,D)4X43*24**	*9MA*1002120A**	0.99	0.99

COOLING Multiplying Factors for other Indoor Combinations

Indoor Model	Furnace Model	CAPACITY (MBh)	Power (AMPS)	Indoor Model	Furnace Model	CAPACITY (MBh)	Power (AMPS)
EA*4X42*21A*	-	0.97	1.10	EN(A,D)4X43*24**	*9MPV100	1.02	1.02
EA*4X42*24A*	*8MV*1352422**	0.97	0.99	EN(A,D)4X43*24**	*9MPV125	1.02	1.01
EA*4X42*24A*	*9MA*1202422A**	0.97	1.00	EN(A,D)4X43*24**	*9MV*1002116A**	0.99	0.99
EA*4X42*24A*	*9MV*1202422A**	0.97	1.01	EN(A,D)4X43*24**	*9MVX080	1.02	1.02
EA*4X42*24A*	*9MA*1002120A**	0.97	1.00	EN(A,D)4X43*24**	*9MVX100	1.02	1.01
EA*4X42*24A*	*9MV*1002116A**	0.97	1.02	EN(A,D)4X43*24**	OLV112A16A	1.01	1.01
EA*4X42*24A*	-	0.97	1.10	EN(A,D)4X43*24**	OLV154F20A	1.03	1.02
ED*4X36B**	*8MV*0701412**	0.95	1.03	EN(A,D)4X43*24**	-	1.01	1.09
ED*4X36B**	*8MX*0451408**	0.95	1.08	EN(A,D,W)4X36*17**	*8MV*0901716**	0.96	1.00
ED*4X36B**	MV08B15**B*	0.97	1.00	EN(A,D,W)4X36*17**	*8MX*0701716**	0.95	1.03
ED*4X36B**	*8MPV050	0.95	1.07	EN(A,D,W)4X36*17**	*9MA*0601714A**	0.94	1.03
ED*4X36B**	-	0.95	1.08	EN(A,D,W)4X36*17**	*9MA*0801714A**	0.95	1.03
ED*4X36F**	*8MV*0901716**	0.96	1.00	EN(A,D,W)4X36*17**	*9MV*0601714A**	0.95	1.04
ED*4X36F**	*8MX*0701716**	0.96	1.04	EN(A,D,W)4X36*17**	*9MV*0801716A**	0.95	1.03
ED*4X36F**	*9MA*0601714A**	0.95	1.03	EN(A,D,W)4X36*17**	*9MX*0601714A**	0.95	1.04
ED*4X36F**	*9MA*0801714A**	0.95	1.00	EN(A,D,W)4X36*17**	*9MX*0801716A**	0.95	1.01
ED*4X36F**	*9MV*0601714A**	0.95	1.04	EN(A,D,W)4X36*17**	NOMV106D12*	0.95	1.03
ED*4X36F**	*9MV*0801716A**	0.96	1.01	EN(A,D,W)4X36*17**	*9MPV050	0.95	1.07
ED*4X36F**	*9MX*0601714A**	0.96	1.04	EN(A,D,W)4X36*17**	*9MPV075	0.95	1.08
ED*4X36F**	*9MX*0801716A**	0.95	1.01	EN(A,D,W)4X36*17**	*9MVX040	0.95	1.07
ED*4X36F**	MV12F19**B*	0.97	1.01	EN(A,D,W)4X36*17**	*9MVX060	0.96	1.09
ED*4X36F**	NOMV106D12*	0.95	1.03	EN(A,D,W)4X36*17**	OLV098A12A	0.95	1.07
ED*4X36F**	*8MPV075	0.97	1.05	EN(A,D,W)4X36*17**	OMV098J12A	0.95	1.08
ED*4X36F**	*9MPV050	0.95	1.06	EN(A,D,W)4X36*17**	OMV112K14A	0.95	1.03
ED*4X36F**	*9MPV075	0.96	1.04	EN(A,D,W)4X36*17**	-	0.97	1.09
ED*4X36F**	*9MVX040	0.95	1.06	EN(A,D,W)4X42*21**	*8MV*1102120**	0.97	1.01
ED*4X36F**	*9MVX060	0.96	1.04	EN(A,D,W)4X42*21**	*8MX*0902116**	0.98	1.01
ED*4X36F**	OLV098A12A	0.95	1.03	EN(A,D,W)4X42*21**	*8MX*1102120**	0.98	1.01
ED*4X36F**	OLV112A16A	0.97	1.05	EN(A,D,W)4X42*21**	*9MA*0601714A**	0.95	1.03
ED*4X36F**	OMV098J12A	0.95	1.03	EN(A,D,W)4X42*21**	*9MA*0602120A**	0.96	1.02
ED*4X36F**	OMV112K14A	0.96	1.00	EN(A,D,W)4X42*21**	*9MA*0801714A**	0.96	1.01
ED*4X36F**	-	0.97	1.09	EN(A,D,W)4X42*21**	*9MA*0802120A**	0.97	1.00
ED*4X36J**	*8MV*1102120**	0.96	1.00	EN(A,D,W)4X42*21**	*9MA*1002122A**	0.97	1.01
ED*4X36J**	*8MX*0902116**	0.97	1.01	EN(A,D,W)4X42*21**	*9MV*0601714A**	0.97	1.05
ED*4X36J**	*8MX*1102120**	0.98	1.01	EN(A,D,W)4X42*21**	*9MV*0801716A**	0.97	1.02

COOLING Multiplying Factors for other Indoor Combinations

Indoor Model	Furnace Model	CAPACITY (MBh)	Power (AMPS)	Indoor Model	Furnace Model	CAPACITY (MBh)	Power (AMPS)
ED*4X36J**	MV16J22**B*	0.97	0.97	EN(A,D,W)4X42*21**	*9MV*0802120A**	0.97	1.00
ED*4X36J**	NOMV156E19*	0.96	1.00	EN(A,D,W)4X42*21**	*9MV*1002120A**	0.97	1.00
ED*4X36J**	*8MPV100	0.98	1.02	EN(A,D,W)4X42*21**	*9MX*0601714A**	0.97	1.05
ED*4X36J**	*8MPV125	0.98	1.02	EN(A,D,W)4X42*21**	*9MX*0801716A**	0.97	1.02
ED*4X36J**	*9MA*1002120A**	0.95	1.01	EN(A,D,W)4X42*21**	NOMV156E19*	0.97	1.00
ED*4X36J**	*9MPV100	0.98	1.02	EN(A,D,W)4X42*21**	*9MA*1002120A**	0.97	1.02
ED*4X36J**	*9MV*1002116A**	0.97	1.02	EN(A,D,W)4X42*21**	*9MPV050	0.96	1.09
ED*4X36J**	*9MVX080	0.98	1.06	EN(A,D,W)4X42*21**	*9MPV075	0.97	1.09
ED*4X36J**	OLV112A16A	0.97	1.01	EN(A,D,W)4X42*21**	*9MPV100	0.98	1.02
ED*4X36J**	-	0.97	1.09	EN(A,D,W)4X42*21**	*9MV*1002116A**	0.97	1.02
ED*4X42F**	*9MA*0601714A**	0.95	1.01	EN(A,D,W)4X42*21**	*9MVX040	0.96	1.09
ED*4X42F**	*9MA*0801714A**	0.96	1.01	EN(A,D,W)4X42*21**	*9MVX060	0.97	1.05
ED*4X42F**	*9MV*0601714A**	0.97	1.05	EN(A,D,W)4X42*21**	*9MVX080	0.98	1.02
ED*4X42F**	*9MV*0801716A**	0.97	1.02	EN(A,D,W)4X42*21**	OLV098A12A	0.96	1.04
ED*4X42F**	*9MX*0601714A**	0.97	1.05	EN(A,D,W)4X42*21**	OLV112A16A	0.97	1.05
ED*4X42F**	*9MX*0801716A**	0.97	1.02	EN(A,D,W)4X42*21**	OMV098J12A	0.97	1.05
ED*4X42F**	MV12F19**B*	0.98	0.97	EN(A,D,W)4X42*21**	OMV112K14A	0.97	1.01
ED*4X42F**	*8MPV075	0.98	1.06	EN(A,D,W)4X42*21**	-	0.97	1.08
ED*4X42F**	*9MPV050	0.96	1.07	END4X42*17**	*8MV*0901716**	0.98	1.01
ED*4X42F**	*9MPV075	0.97	1.05	END4X42*17**	*8MX*0701716**	0.98	1.02
ED*4X42F**	*9MVX040	0.96	1.07	END4X42*17**	*9MA*0601714A**	0.96	1.01
ED*4X42F**	*9MVX060	0.97	1.05	END4X42*17**	*9MA*0801714A**	0.97	1.00
ED*4X42F**	OLV098A12A	0.96	1.04	END4X42*17**	*9MV*0601714A**	0.97	1.05
ED*4X42F**	OLV112A16A	0.97	1.01	END4X42*17**	*9MV*0801716A**	0.98	1.03
ED*4X42F**	OMV098J12A	0.97	1.05	END4X42*17**	*9MX*0601714A**	0.98	1.03
ED*4X42F**	OMV112K14A	0.97	1.00	END4X42*17**	*9MX*0801716A**	0.97	1.01
ED*4X42F**	-	0.97	1.10	END4X42*17**	NOMV106D12*	0.97	1.01
ED*4X42J**	*8MV*1102120**	0.97	1.01	END4X42*17**	*9MPV050	0.97	1.10
ED*4X42J**	*8MX*0902116**	0.98	1.01	END4X42*17**	*9MPV075	0.97	1.10
ED*4X42J**	*8MX*1102120**	0.98	1.02	END4X42*17**	*9MVX040	0.97	1.10
ED*4X42J**	MV16J22**B*	0.98	0.97	END4X42*17**	*9MVX060	0.98	1.11
ED*4X42J**	NOMV156E19*	0.97	1.00	END4X42*17**	OLV098A12A	0.97	1.05
ED*4X42J**	*8MPV100	0.99	1.03	END4X42*17**	OMV098J12A	0.97	1.10
ED*4X42J**	*8MPV125	0.99	1.03	END4X42*17**	OMV112K14A	0.98	1.01
ED*4X42J**	*9MA*1002120A**	0.97	1.00	END4X42*17**	-	0.98	1.09

COOLING Multiplying Factors for other Indoor Combinations

Indoor Model	Furnace Model	CAPACITY (MBh)	Power (AMPS)	Indoor Model	Furnace Model	CAPACITY (MBh)	Power (AMPS)
ED*4X42J**	*9MPV100	0.98	1.02	ENH4X36*17**	*8MV*0701412**	0.95	1.03
ED*4X42J**	*9MV*1002116A**	0.97	1.02	ENH4X36*17**	*8MV*0901716**	0.96	1.00
ED*4X42J**	*9MVX080	0.99	1.03	ENH4X36*17**	*8MV*1102120**	0.96	1.00
ED*4X42J**	OLV112A16A	0.97	1.01	ENH4X36*17**	*8MV*1352422**	0.96	1.00
ED*4X42J**	-	0.97	1.08	ENH4X36*17**	*8MX*0451408**	0.95	1.06
ED*4X42L**	*8MV*1352422**	0.97	1.01	ENH4X36*17**	*8MX*0701716**	0.95	1.03
ED*4X42L**	*9MA*1202422A**	0.97	1.00	ENH4X36*17**	*8MX*0902116**	0.96	1.00
ED*4X42L**	*9MV*1202422A**	0.97	1.01	ENH4X36*17**	*8MX*1102120**	0.97	1.00
ED*4X42L**	MV20L24**B*	0.98	0.97	ENH4X36*17**	*9MA*0601714A**	0.94	1.03
ED*4X42L**	*9MA*1002120A**	0.97	1.00	ENH4X36*17**	*9MA*0801714A**	0.95	1.03
ED*4X42L**	*9MPV125	0.99	1.03	ENH4X36*17**	*9MA*1202422A**	0.95	1.01
ED*4X42L**	*9MV*1002116A**	0.97	1.02	ENH4X36*17**	*9MV*0601714A**	0.95	1.04
ED*4X42L**	*9MVX100	0.98	1.02	ENH4X36*17**	*9MV*0801716A**	0.95	1.03
ED*4X42L**	OLV112A16A	0.97	1.01	ENH4X36*17**	*9MV*1202422A**	0.95	1.01
ED*4X42L**	OLV154F20A	0.99	1.03	ENH4X36*17**	*9MX*0601714A**	0.95	1.04
ED*4X42L**	-	0.97	1.08	ENH4X36*17**	*9MX*0801716A**	0.95	1.01
EHD4X36A**	*8MV*0701412**	0.96	1.00	ENH4X36*17**	NOMV106D12*	0.95	1.03
EHD4X36A**	*8MV*0901716**	0.97	1.00	ENH4X36*17**	NOMV156E19*	0.95	1.03
EHD4X36A**	*8MV*1102120**	0.97	1.00	ENH4X36*17**	*9MA*1002120A**	0.95	1.01
EHD4X36A**	*8MV*1352422**	0.97	1.00	ENH4X36*17**	*9MPV050	0.95	1.07
EHD4X36A**	*8MX*0451408**	0.96	1.04	ENH4X36*17**	*9MPV075	0.95	1.08
EHD4X36A**	*8MX*0701716**	0.96	1.00	ENH4X36*17**	*9MV*1002116A**	0.95	1.03
EHD4X36A**	*8MX*0902116**	0.97	1.00	ENH4X36*17**	*9MVX040	0.95	1.07
EHD4X36A**	*8MX*1102120**	0.97	1.01	ENH4X36*17**	*9MVX060	0.96	1.09
EHD4X36A**	*9MA*0601714A**	0.97	1.02	ENH4X36*17**	OLV098A12A	0.95	1.07
EHD4X36A**	*9MA*0602120A**	0.97	1.01	ENH4X36*17**	OLV112A16A	0.96	1.04
EHD4X36A**	*9MA*0801714A**	0.97	1.01	ENH4X36*17**	OLV154F20A	0.98	1.02
EHD4X36A**	*9MA*0802120A**	0.98	1.00	ENH4X36*17**	OMV098J12A	0.95	1.08
EHD4X36A**	*9MA*1002122A**	0.98	1.00	ENH4X36*17**	OMV112K14A	0.95	1.03
EHD4X36A**	*9MA*1202422A**	0.98	1.01	ENH4X36*17**	-	0.97	1.09
EHD4X36A**	*9MV*0601714A**	0.98	1.03	ENH4X42*21**	*8MV*0701412**	0.97	1.00
EHD4X36A**	*9MV*0801716A**	0.98	1.02	ENH4X42*21**	*8MV*0901716**	0.97	1.00
EHD4X36A**	*9MV*0802120A**	0.98	1.02	ENH4X42*21**	*8MV*1102120**	0.97	1.01
EHD4X36A**	*9MV*1002120A**	0.98	1.00	ENH4X42*21**	*8MV*1352422**	0.97	1.01
EHD4X36A**	*9MV*1202422A**	0.98	1.02	ENH4X42*21**	*8MX*0451408**	0.97	1.07

COOLING Multiplying Factors for other Indoor Combinations

Indoor Model	Furnace Model	CAPACITY (MBh)	Power (AMPS)	Indoor Model	Furnace Model	CAPACITY (MBh)	Power (AMPS)
EHD4X36A**	*9MX*0601714A**	0.98	1.04	ENH4X42*21**	*8MX*0701716**	0.97	1.05
EHD4X36A**	*9MX*0801716A**	0.98	1.01	ENH4X42*21**	*8MX*0902116**	0.98	1.01
EHD4X36A**	MV08B15**B*	0.97	1.01	ENH4X42*21**	*8MX*1102120**	0.98	1.01
EHD4X36A**	MV12F19**B*	0.97	1.01	ENH4X42*21**	*9MA*0601714A**	0.95	1.03
EHD4X36A**	MV16J22**B*	0.97	0.97	ENH4X42*21**	*9MA*0602120A**	0.96	1.02
EHD4X36A**	MV20L24**B*	0.98	0.97	ENH4X42*21**	*9MA*0801714A**	0.96	1.01
EHD4X36A**	NOMV106D12*	0.97	1.01	ENH4X42*21**	*9MA*0802120A**	0.97	1.00
EHD4X36A**	NOMV156E19*	0.98	1.01	ENH4X42*21**	*9MA*1002122A**	0.97	1.01
EHD4X36A**	*8MPV050	0.97	1.05	ENH4X42*21**	*9MA*1202422A**	0.97	1.00
EHD4X36A**	*8MPV075	0.97	1.05	ENH4X42*21**	*9MV*0601714A**	0.97	1.05
EHD4X36A**	*8MPV100	0.98	1.02	ENH4X42*21**	*9MV*0801716A**	0.97	1.02
EHD4X36A**	*8MPV125	0.98	1.02	ENH4X42*21**	*9MV*0802120A**	0.97	1.00
EHD4X36A**	*9MA*1002120A**	0.98	1.01	ENH4X42*21**	*9MV*1002120A**	0.97	1.00
EHD4X36A**	*9MPV050	0.95	1.06	ENH4X42*21**	*9MV*1202422A**	0.97	1.00
EHD4X36A**	*9MPV075	0.96	1.04	ENH4X42*21**	*9MX*0601714A**	0.97	1.05
EHD4X36A**	*9MPV100	0.98	1.01	ENH4X42*21**	*9MX*0801716A**	0.97	1.02
EHD4X36A**	*9MPV125	0.99	1.03	ENH4X42*21**	NOMV106D12*	0.96	1.00
EHD4X36A**	*9MV*1002116A**	0.98	1.02	ENH4X42*21**	NOMV156E19*	0.97	1.00
EHD4X36A**	*9MVX040	0.98	1.09	ENH4X42*21**	*9MA*1002120A**	0.97	1.02
EHD4X36A**	*9MVX060	0.98	1.06	ENH4X42*21**	*9MPV050	0.96	1.09
EHD4X36A**	*9MVX080	0.98	1.06	ENH4X42*21**	*9MPV075	0.97	1.09
EHD4X36A**	*9MVX100	0.99	1.03	ENH4X42*21**	*9MPV100	0.98	1.02
EHD4X36A**	OLV098A12A	0.97	1.05	ENH4X42*21**	*9MV*1002116A**	0.97	1.02
EHD4X36A**	OLV112A16A	0.98	1.02	ENH4X42*21**	*9MVX040	0.96	1.09
EHD4X36A**	OLV154F20A	1.01	1.04	ENH4X42*21**	*9MVX060	0.97	1.05
EHD4X36A**	OMV098J12A	0.98	1.06	ENH4X42*21**	*9MVX080	0.98	1.02
EHD4X36A**	OMV112K14A	0.98	1.02	ENH4X42*21**	OLV098A12A	0.96	1.04
EHD4X36A**	-	0.97	1.09	ENH4X42*21**	OLV112A16A	0.97	1.05
EHD4X42A**	*8MV*0701412**	0.97	1.01	ENH4X42*21**	OLV154F20A	0.99	1.03
EHD4X42A**	*8MV*0901716**	0.97	1.01	ENH4X42*21**	OMV098J12A	0.97	1.05
EHD4X42A**	*8MV*1102120**	0.98	1.01	ENH4X42*21**	OMV112K14A	0.97	1.01
EHD4X42A**	*8MV*1352422**	0.98	1.01	ENH4X42*21**	-	0.97	1.08
EHD4X42A**	*8MX*0451408**	0.97	1.08	ENH4X43*21**	*9MA*0601714A**	0.98	1.02
EHD4X42A**	*8MX*0701716**	0.97	1.01	ENH4X43*21**	*9MA*0801714A**	0.99	1.03
EHD4X42A**	*8MX*0902116**	0.98	1.02	ENH4X43*21**	*9MA*1202422A**	0.99	0.99

COOLING Multiplying Factors for other Indoor Combinations

Indoor Model	Furnace Model	CAPACITY (MBh)	Power (AMPS)	Indoor Model	Furnace Model	CAPACITY (MBh)	Power (AMPS)
EHD4X42A**	*8MX*1102120**	0.98	1.02	ENH4X43*21**	*9MV*0601714A**	0.99	1.03
EHD4X42A**	*9MA*0601714A**	0.97	1.02	ENH4X43*21**	*9MV*0801716A**	0.99	1.03
EHD4X42A**	*9MA*0602120A**	0.98	1.01	ENH4X43*21**	*9MV*1202422A**	1.00	1.00
EHD4X42A**	*9MA*0801714A**	0.98	1.01	ENH4X43*21**	*9MX*0601714A**	1.00	1.04
EHD4X42A**	*9MA*0802120A**	0.98	1.00	ENH4X43*21**	*9MX*0801716A**	0.99	1.03
EHD4X42A**	*9MA*1002122A**	0.99	1.01	ENH4X43*21**	NOMV106D12*	0.99	1.03
EHD4X42A**	*9MA*1202422A**	0.98	1.02	ENH4X43*21**	NOMV156E19*	0.99	0.99
EHD4X42A**	*9MV*0601714A**	0.98	1.04	ENH4X43*21**	*9MA*1002120A**	0.99	1.03
EHD4X42A**	*9MV*0801716A**	0.99	1.03	ENH4X43*21**	*9MPV050	0.99	1.08
EHD4X42A**	*9MV*0802120A**	0.99	1.01	ENH4X43*21**	*9MPV075	1.00	1.04
EHD4X42A**	*9MV*1002120A**	0.99	1.01	ENH4X43*21**	*9MPV100	1.02	1.06
EHD4X42A**	*9MV*1202422A**	0.99	1.03	ENH4X43*21**	*9MPV125	1.02	1.01
EHD4X42A**	*9MX*0601714A**	0.99	1.04	ENH4X43*21**	*9MV*1002116A**	0.99	1.03
EHD4X42A**	*9MX*0801716A**	0.98	1.02	ENH4X43*21**	*9MVX040	0.99	1.08
EHD4X42A**	MV08B15**B*	0.99	0.98	ENH4X43*21**	*9MVX060	1.01	1.04
EHD4X42A**	MV12F19**B*	0.98	0.97	ENH4X43*21**	*9MVX080	1.02	1.06
EHD4X42A**	MV16J22**B*	0.98	0.97	ENH4X43*21**	*9MVX100	1.01	1.01
EHD4X42A**	MV20L24**B*	0.98	0.97	ENH4X43*21**	OLV098A12A	0.99	1.03
EHD4X42A**	NOMV106D12*	0.98	1.01	ENH4X43*21**	OLV112A16A	1.00	1.04
EHD4X42A**	NOMV156E19*	0.98	1.02	ENH4X43*21**	OLV154F20A	1.02	1.02
EHD4X42A**	*8MPV050	0.98	1.06	ENH4X43*21**	OMV098J12A	0.99	1.03
EHD4X42A**	*8MPV075	0.98	1.06	ENH4X43*21**	OMV112K14A	0.99	1.03
EHD4X42A**	*8MPV100	0.99	1.03	FEA4X36**A*	-	0.97	1.07
EHD4X42A**	*8MPV125	0.99	1.03	FEM4P36**A*	-	0.97	1.05
EHD4X42A**	*9MA*1002120A**	0.98	1.02	FEM4P36**A*	-	0.97	1.07
EHD4X42A**	*9MPV050	0.97	1.07	FEM4P42**A*	-	1.00	1.04
EHD4X42A**	*9MPV075	0.97	1.05	FEM4P42**A*	-	1.01	1.04
EHD4X42A**	*9MPV100	0.98	1.02	FEM4X36***	-	0.99	1.03
EHD4X42A**	*9MPV125	0.99	1.03	FEM4X42***	-	0.99	1.03
EHD4X42A**	*9MV*1002116A**	0.99	1.03	FS(M,U)4P36**A*	-	0.97	1.05
EHD4X42A**	*9MVX040	0.96	1.07	FS(M,U)4P36**A*	-	0.98	1.09
EHD4X42A**	*9MVX060	0.97	1.05	FS(M,U)4P42**A*	-	0.99	1.07
EHD4X42A**	*9MVX080	0.99	1.03	FS(M,U)4P42**A*	-	0.99	1.08
EHD4X42A**	*9MVX100	0.98	1.02	FS(M,U)4X42***	-	0.98	1.11
EHD4X42A**	OLV098A12A	0.98	1.02	FSA4X36**A*	-	0.97	1.09

COOLING Multiplying Factors for other Indoor Combinations

Indoor Model	Furnace Model	CAPACITY (MBh)	Power (AMPS)	Indoor Model	Furnace Model	CAPACITY (MBh)	Power (AMPS)
EHD4X42A**	OLV112A16A	0.99	1.03	FSM4X36***	-	0.98	1.11
EHD4X42A**	OLV154F20A	1.02	1.02	FSU4X36***	-	0.97	1.09
EHD4X42A**	OMV112K14A	0.99	1.03	FVM4X24***	-	0.97	1.00
EHD4X42A**	-	0.97	1.08	FVM4X36***	-	0.97	0.98
EMA4X36D**	-	0.97	1.09	FVM4X48***	-	1.01	1.00
EN(A,D)4X36*21**	*8MV*1102120**	0.96	1.00	FVM4X60***	-	1.02	1.01
EN(A,D)4X36*21**	*8MV*1102120**	0.96	1.02	FXM4X42**A*	-	1.00	1.00
EN(A,D)4X36*21**	*8MX*0902116**	0.97	1.00				
EN(A,D)4X36*21**	*8MX*1102120**	0.97	1.00				

COOLING Multiplying Factors for other Indoor Combinations

Indoor Model	Furnace Model	CAPACITY (MBh)	Power (AMPS)	Indoor Model	Furnace Model	CAPACITY (MBh)	Power (AMPS)
(C,H,T)XH537							
*FXM4X36**A*	-	1.00	1.00	EN(A,D)4X36*21**	OLV112A16A	0.97	1.05
EA*4X36*14A*	*8MV*0701412**	0.96	1.02	EN(A,D)4X36*21**	OMV098J12A	0.96	1.03
EA*4X36*14A*	*8MX*0451408**	0.96	1.06	EN(A,D)4X36*21**	OMV112K14A	0.96	1.04
EA*4X36*14A*	-	0.96	1.09	EN(A,D)4X36*21**	-	0.96	1.09
EA*4X36*17A*	*8MV*0901716**	0.96	1.00	EN(A,D)4X37*17**	*8MV*0901716**	0.99	0.99
EA*4X36*17A*	*8MX*0701716**	0.96	1.04	EN(A,D)4X37*17**	*8MX*0701716**	0.99	1.03
EA*4X36*17A*	*9MA*0601714A**	0.95	1.03	EN(A,D)4X37*17**	*9MA*0601714A**	0.98	1.02
EA*4X36*17A*	*9MA*0801714A**	0.96	0.99	EN(A,D)4X37*17**	*9MA*0801714A**	0.99	1.01
EA*4X36*17A*	*9MV*0601714A**	0.96	1.04	EN(A,D)4X37*17**	*9MV*0601714A**	0.99	1.03
EA*4X36*17A*	*9MV*0801716A**	0.96	1.04	EN(A,D)4X37*17**	*9MV*0801716A**	0.99	1.01
EA*4X36*17A*	*9MX*0601714A**	0.96	1.04	EN(A,D)4X37*17**	*9MX*0601714A**	1.00	1.04
EA*4X36*17A*	*9MX*0801716A**	0.96	1.00	EN(A,D)4X37*17**	*9MX*0801716A**	0.99	1.02
EA*4X36*17A*	-	0.97	1.09	EN(A,D)4X37*17**	NOMV106D12*	0.98	1.02
EA*4X36*21A*	*8MV*1102120**	0.97	1.00	EN(A,D)4X37*17**	*9MPV050	0.99	1.08
EA*4X36*21A*	*8MX*0902116**	0.97	0.99	EN(A,D)4X37*17**	*9MPV075	1.00	1.04
EA*4X36*21A*	*8MX*1102120**	0.98	1.00	EN(A,D)4X37*17**	*9MVX040	0.99	1.08
EA*4X36*21A*	*9MA*0601714A**	0.95	1.03	EN(A,D)4X37*17**	*9MVX060	1.01	1.05
EA*4X36*21A*	*9MA*0602120A**	0.96	1.02	EN(A,D)4X37*17**	OLV098A12A	0.99	1.03
EA*4X36*21A*	*9MA*0801714A**	0.96	0.99	EN(A,D)4X37*17**	OMV098J12A	0.99	1.03
EA*4X36*21A*	*9MA*0802120A**	0.96	0.98	EN(A,D)4X37*17**	OMV112K14A	1.00	1.04
EA*4X36*21A*	*9MA*1002122A**	0.97	0.99	EN(A,D)4X37*17**	-	1.00	1.08
EA*4X36*21A*	*9MV*0601714A**	0.96	1.04	EN(A,D)4X43*24**	*8MV*1352422**	1.00	1.00

COOLING Multiplying Factors for other Indoor Combinations

Indoor Model	Furnace Model	Indoor Model	Power (AMPS)	CAPACITY (MBh)	Power (AMPS)	Indoor Model	Furnace Model	CAPACITY (MBh)	Power (AMPS)
EA*4X36*21A*	*9MV*0801716A**	EN(A,D)4X43*24**	1.00	0.97	1.00	EN(A,D)4X43*24**	*9MA*1202422A**	0.99	0.99
EA*4X36*21A*	*9MV*0802120A**	EN(A,D)4X43*24**	1.00	0.97	1.00	EN(A,D)4X43*24**	*9MV*1202422A**	0.99	0.99
EA*4X36*21A*	*9MV*1002120A**	EN(A,D)4X43*24**	1.00	0.97	1.00	EN(A,D)4X43*24**	MV20L24**B*	1.00	1.00
EA*4X36*21A*	*9MX*0601714A**	EN(A,D)4X43*24**	1.05	0.97	1.05	EN(A,D)4X43*24**	*9MA*1002120A**	0.99	1.02
EA*4X36*21A*	*9MX*0801716A**	EN(A,D)4X43*24**	1.00	0.96	1.00	EN(A,D)4X43*24**	*9MPV100	1.01	1.05
EA*4X36*21A*	*9MA*1002120A**	EN(A,D)4X43*24**	1.00	0.96	1.00	EN(A,D)4X43*24**	*9MPV125	1.00	1.00
EA*4X36*21A*	*9MV*1002116A**	EN(A,D)4X43*24**	1.00	0.97	1.00	EN(A,D)4X43*24**	*9MV*1002116A**	0.99	1.02
EA*4X36*21A*	-	EN(A,D)4X43*24**	1.09	0.97	1.09	EN(A,D)4X43*24**	*9MVX080	1.01	1.05
EA*4X42*21A*	*8MV*1102120**	EN(A,D)4X43*24**	0.99	0.97	0.99	EN(A,D)4X43*24**	*9MVX100	1.00	1.00
EA*4X42*21A*	*8MX*0902116**	EN(A,D)4X43*24**	1.01	0.98	1.01	EN(A,D)4X43*24**	OLV112A16A	1.01	1.05
EA*4X42*21A*	*8MX*1102120**	EN(A,D)4X43*24**	1.01	0.98	1.01	EN(A,D)4X43*24**	OLV154F20A	1.01	1.05
EA*4X42*21A*	*9MA*0601714A**	EN(A,D)4X43*24**	0.99	0.96	0.99	EN(A,D)4X43*24**	-	1.00	1.08
EA*4X42*21A*	*9MA*0602120A**	EN(A,D,W)4X36*17**	1.00	0.96	1.00	EN(A,D,W)4X36*17**	*8MV*0901716**	0.96	0.99
EA*4X42*21A*	*9MA*0801714A**	EN(A,D,W)4X36*17**	1.00	0.96	1.00	EN(A,D,W)4X36*17**	*8MX*0701716**	0.95	1.03
EA*4X42*21A*	*9MA*0802120A**	EN(A,D,W)4X36*17**	0.99	0.97	0.99	EN(A,D,W)4X36*17**	*9MA*0601714A**	0.94	1.02
EA*4X42*21A*	*9MA*1002122A**	EN(A,D,W)4X36*17**	0.99	0.97	0.99	EN(A,D,W)4X36*17**	*9MA*0801714A**	0.95	1.03
EA*4X42*21A*	*9MV*0601714A**	EN(A,D,W)4X36*17**	1.05	0.97	1.05	EN(A,D,W)4X36*17**	*9MV*0601714A**	0.96	1.03
EA*4X42*21A*	*9MV*0801716A**	EN(A,D,W)4X36*17**	1.01	0.97	1.01	EN(A,D,W)4X36*17**	*9MV*0801716A**	0.96	1.04
EA*4X42*21A*	*9MV*0802120A**	EN(A,D,W)4X36*17**	0.99	0.97	0.99	EN(A,D,W)4X36*17**	*9MX*0601714A**	0.96	1.03
EA*4X42*21A*	*9MV*1002120A**	EN(A,D,W)4X36*17**	0.99	0.97	0.99	EN(A,D,W)4X36*17**	*9MX*0801716A**	0.96	1.03
EA*4X42*21A*	*9MX*0601714A**	EN(A,D,W)4X36*17**	1.05	0.97	1.05	EN(A,D,W)4X36*17**	NOMV106D12*	0.94	1.02
EA*4X42*21A*	*9MX*0801716A**	EN(A,D,W)4X36*17**	1.00	0.97	1.00	EN(A,D,W)4X36*17**	OLV098A12A	0.96	1.03
EA*4X42*21A*	*9MA*1002120A**	EN(A,D,W)4X36*17**	1.00	0.97	1.00	EN(A,D,W)4X36*17**	OMV098J12A	0.96	1.03
EA*4X42*21A*	*9MV*1002116A**	EN(A,D,W)4X36*17**	1.02	0.98	1.02	EN(A,D,W)4X36*17**	OMV112K14A	0.96	1.04
EA*4X42*21A*	-	EN(A,D,W)4X36*17**	1.11	0.98	1.11	EN(A,D,W)4X36*17**	-	0.96	1.09
EA*4X42*24A*	*8MV*1352422**	EN(A,D,W)4X42*21**	0.99	0.97	0.99	EN(A,D,W)4X42*21**	*8MV*1102120**	0.97	1.00
EA*4X42*24A*	*9MA*1202422A**	EN(A,D,W)4X42*21**	0.99	0.97	0.99	EN(A,D,W)4X42*21**	*8MX*0902116**	0.97	1.01
EA*4X42*24A*	*9MV*1202422A**	EN(A,D,W)4X42*21**	1.00	0.98	1.00	EN(A,D,W)4X42*21**	*8MX*1102120**	0.98	1.02
EA*4X42*24A*	*9MA*1002120A**	EN(A,D,W)4X42*21**	1.00	0.97	1.00	EN(A,D,W)4X42*21**	*9MA*0601714A**	0.96	1.03
EA*4X42*24A*	*9MV*1002116A**	EN(A,D,W)4X42*21**	1.02	0.98	1.02	EN(A,D,W)4X42*21**	*9MA*0602120A**	0.96	1.02
EA*4X42*24A*	-	EN(A,D,W)4X42*21**	1.11	0.98	1.11	EN(A,D,W)4X42*21**	*9MA*0801714A**	0.96	1.00
ED*4X36B**	MV08B15**B*	EN(A,D,W)4X42*21**	0.99	0.96	0.99	EN(A,D,W)4X42*21**	*9MA*0802120A**	0.97	0.99
ED*4X36B**	*8MPV050	EN(A,D,W)4X42*21**	1.10	0.94	1.10	EN(A,D,W)4X42*21**	*9MA*1002122A**	0.97	0.99
ED*4X36B**	-	EN(A,D,W)4X42*21**	1.11	0.96	1.11	EN(A,D,W)4X42*21**	*9MV*0601714A**	0.97	1.05
ED*4X36F**	*9MA*0601714A**	EN(A,D,W)4X42*21**	1.03	0.95	1.03	EN(A,D,W)4X42*21**	*9MV*0801716A**	0.97	1.01

COOLING Multiplying Factors for other Indoor Combinations

Indoor Model	Furnace Model	Indoor Model	Furnace Model	Power (AMPS)	CAPACITY (MBh)	Power (AMPS)	Indoor Model	Furnace Model	CAPACITY (MBh)	Power (AMPS)
ED*4X36F**	*9MA*0801714A**	EN(A,D,W)4X42*21**	*9MV*0802120A**	0.99	0.96	0.99	EN(A,D,W)4X42*21**	*9MV*0802120A**	0.97	1.01
ED*4X36F**	*9MV*0601714A**	EN(A,D,W)4X42*21**	*9MV*1002120A**	1.04	0.96	1.04	EN(A,D,W)4X42*21**	*9MV*1002120A**	0.97	0.99
ED*4X36F**	*9MV*0801716A**	EN(A,D,W)4X42*21**	*9MX*0601714A**	1.04	0.96	1.04	EN(A,D,W)4X42*21**	*9MX*0601714A**	0.97	1.05
ED*4X36F**	*9MX*0601714A**	EN(A,D,W)4X42*21**	*9MX*0801716A**	1.04	0.96	1.04	EN(A,D,W)4X42*21**	*9MX*0801716A**	0.97	1.00
ED*4X36F**	*9MX*0801716A**	EN(A,D,W)4X42*21**	NOMV156E19*	1.00	0.96	1.00	EN(A,D,W)4X42*21**	NOMV156E19*	0.96	1.00
ED*4X36F**	MV12F19**B*	EN(A,D,W)4X42*21**	*9MA*1002120A**	0.96	0.96	0.96	EN(A,D,W)4X42*21**	*9MA*1002120A**	0.97	1.00
ED*4X36F**	NOMV106D12*	EN(A,D,W)4X42*21**	*9MPV100	1.03	0.95	1.03	EN(A,D,W)4X42*21**	*9MPV100	0.98	1.02
ED*4X36F**	*8MPV075	EN(A,D,W)4X42*21**	*9MV*1002116A**	1.03	0.96	1.03	EN(A,D,W)4X42*21**	*9MV*1002116A**	0.97	1.01
ED*4X36F**	*9MPV050	EN(A,D,W)4X42*21**	*9MVX080	1.10	0.95	1.10	EN(A,D,W)4X42*21**	*9MVX080	0.99	1.03
ED*4X36F**	*9MPV075	EN(A,D,W)4X42*21**	OLV098A12A	1.03	0.96	1.03	EN(A,D,W)4X42*21**	OLV098A12A	0.97	1.05
ED*4X36F**	*9MVX040	EN(A,D,W)4X42*21**	OLV112A16A	1.07	0.95	1.07	EN(A,D,W)4X42*21**	OLV112A16A	0.98	1.02
ED*4X36F**	*9MVX060	EN(A,D,W)4X42*21**	OMV098J12A	1.03	0.96	1.03	EN(A,D,W)4X42*21**	OMV098J12A	0.97	1.05
ED*4X36F**	OLV098A12A	EN(A,D,W)4X42*21**	OMV112K14A	1.03	0.96	1.03	EN(A,D,W)4X42*21**	OMV112K14A	0.97	1.01
ED*4X36F**	OLV112A16A	EN(A,D,W)4X42*21**	-	1.05	0.97	1.05	EN(A,D,W)4X42*21**	-	0.97	1.10
ED*4X36F**	OMV098J12A	END4X42*17**	*8MV*0901716**	1.04	0.96	1.04	END4X42*17**	*8MV*0901716**	0.97	1.01
ED*4X36F**	OMV112K14A	END4X42*17**	*8MX*0701716**	1.00	0.96	1.00	END4X42*17**	*8MX*0701716**	0.97	1.05
ED*4X36F**	-	END4X42*17**	*9MA*0601714A**	1.11	0.96	1.11	END4X42*17**	*9MA*0601714A**	0.97	1.00
ED*4X36J**	MV16J22**B*	END4X42*17**	*9MA*0801714A**	0.96	0.96	0.96	END4X42*17**	*9MA*0801714A**	0.97	1.01
ED*4X36J**	NOMV156E19*	END4X42*17**	*9MV*0601714A**	0.99	0.96	0.99	END4X42*17**	*9MV*0601714A**	0.98	1.06
ED*4X36J**	*8MPV100	END4X42*17**	*9MV*0801716A**	1.02	0.98	1.02	END4X42*17**	*9MV*0801716A**	0.98	1.02
ED*4X36J**	*8MPV125	END4X42*17**	*9MX*0601714A**	1.02	0.98	1.02	END4X42*17**	*9MX*0601714A**	0.98	1.02
ED*4X36J**	*9MA*1002120A**	END4X42*17**	*9MX*0801716A**	1.00	0.96	1.00	END4X42*17**	*9MX*0801716A**	0.98	1.02
ED*4X36J**	*9MPV100	END4X42*17**	NOMV106D12*	1.01	0.97	1.01	END4X42*17**	NOMV106D12*	0.97	1.00
ED*4X36J**	*9MV*1002116A**	END4X42*17**	OLV098A12A	1.00	0.97	1.00	END4X42*17**	OLV098A12A	0.97	1.05
ED*4X36J**	*9MVX080	END4X42*17**	OMV098J12A	1.02	0.98	1.02	END4X42*17**	OMV098J12A	0.98	1.06
ED*4X36J**	OLV112A16A	END4X42*17**	OMV112K14A	1.00	0.97	1.00	END4X42*17**	OMV112K14A	0.98	1.02
ED*4X36J**	-	END4X42*17**	-	1.11	0.96	1.11	END4X42*17**	-	0.98	1.11
ED*4X42F**	*9MA*0601714A**	ENH4X36*17**	*8MV*0701412**	1.03	0.96	1.03	ENH4X36*17**	*8MV*0701412**	0.95	1.03
ED*4X42F**	*9MA*0801714A**	ENH4X36*17**	*8MV*0901716**	1.00	0.96	1.00	ENH4X36*17**	*8MV*0901716**	0.96	0.99
ED*4X42F**	*9MV*0601714A**	ENH4X36*17**	*8MV*1102120**	1.05	0.97	1.05	ENH4X36*17**	*8MV*1102120**	0.96	1.03
ED*4X42F**	*9MV*0801716A**	ENH4X36*17**	*8MV*1352422**	1.01	0.97	1.01	ENH4X36*17**	*8MV*1352422**	0.96	0.99
ED*4X42F**	*9MX*0601714A**	ENH4X36*17**	*8MX*0451408**	1.05	0.97	1.05	ENH4X36*17**	*8MX*0451408**	0.95	1.07
ED*4X42F**	*9MX*0801716A**	ENH4X36*17**	*8MX*0701716**	1.00	0.97	1.00	ENH4X36*17**	*8MX*0701716**	0.95	1.03
ED*4X42F**	MV12F19**B*	ENH4X36*17**	*8MX*0902116**	0.97	0.97	0.97	ENH4X36*17**	*8MX*0902116**	0.96	1.00
ED*4X42F**	NOMV106D12*	ENH4X36*17**	*8MX*1102120**	1.02	0.96	1.02	ENH4X36*17**	*8MX*1102120**	0.96	1.00

COOLING Multiplying Factors for other Indoor Combinations

Indoor Model	Furnace Model	CAPACITY (MBh)	Power (AMPS)	Indoor Model	Furnace Model	CAPACITY (MBh)	Power (AMPS)
ED*4X42F**	*8MPV075	0.97	1.01	ENH4X36*17**	*9MA*0601714A**	0.94	1.02
ED*4X42F**	*9MPV050	0.96	1.09	ENH4X36*17**	*9MA*0801714A**	0.95	1.03
ED*4X42F**	*9MPV075	0.96	1.04	ENH4X36*17**	*9MA*1202422A**	0.96	0.99
ED*4X42F**	*9MVX040	0.96	1.09	ENH4X36*17**	*9MV*0601714A**	0.96	1.03
ED*4X42F**	*9MVX060	0.97	1.05	ENH4X36*17**	*9MV*0801716A**	0.96	1.04
ED*4X42F**	OLV098A12A	0.96	1.04	ENH4X36*17**	*9MV*1202422A**	0.96	0.99
ED*4X42F**	OLV112A16A	0.97	1.01	ENH4X36*17**	*9MX*0601714A**	0.96	1.03
ED*4X42F**	OMV098J12A	0.97	1.05	ENH4X36*17**	*9MX*0801716A**	0.96	1.03
ED*4X42F**	OMV112K14A	0.97	1.01	ENH4X36*17**	MV08B15**B*	0.96	1.00
ED*4X42F**	-	0.97	1.13	ENH4X36*17**	MV12F19**B*	0.97	1.00
ED*4X42J**	MV16J22**B*	0.98	0.98	ENH4X36*17**	MV16J22**B*	0.97	1.00
ED*4X42J**	NOMV156E19*	0.96	1.00	ENH4X36*17**	MV20L24**B*	0.97	1.00
ED*4X42J**	*8MPV100	0.99	1.03	ENH4X36*17**	NOMV106D12*	0.94	1.02
ED*4X42J**	*8MPV125	0.99	1.03	ENH4X36*17**	NOMV156E19*	0.95	1.03
ED*4X42J**	*9MA*1002120A**	0.97	1.00	ENH4X36*17**	*8MPV050	0.94	1.07
ED*4X42J**	*9MPV100	0.98	1.02	ENH4X36*17**	*8MPV075	0.96	1.04
ED*4X42J**	*9MV*1002116A**	0.98	1.02	ENH4X36*17**	*8MPV100	0.97	1.05
ED*4X42J**	*9MVX080	0.98	1.02	ENH4X36*17**	*8MPV125	0.97	1.00
ED*4X42J**	OLV112A16A	0.98	1.02	ENH4X36*17**	*9MA*1002120A**	0.96	1.03
ED*4X42J**	-	0.97	1.13	ENH4X36*17**	*9MPV050	0.95	1.07
ED*4X42L**	*8MV*1352422**	0.97	1.00	ENH4X36*17**	*9MPV075	0.95	1.07
ED*4X42L**	*9MA*1202422A**	0.97	0.99	ENH4X36*17**	*9MPV100	0.96	1.04
ED*4X42L**	*9MV*1202422A**	0.98	1.00	ENH4X36*17**	*9MPV125	0.97	1.05
ED*4X42L**	MV20L24**B*	0.98	0.98	ENH4X36*17**	*9MV*1002116A**	0.96	1.04
ED*4X42L**	NOMV156E19*	0.97	1.00	ENH4X36*17**	*9MVX040	0.94	1.07
ED*4X42L**	*9MA*1002120A**	0.97	1.00	ENH4X36*17**	*9MVX060	0.96	1.08
ED*4X42L**	*9MPV125	0.98	1.02	ENH4X36*17**	*9MVX080	0.97	1.05
ED*4X42L**	*9MV*1002116A**	0.98	1.02	ENH4X36*17**	*9MVX100	0.96	1.04
ED*4X42L**	*9MVX100	0.98	1.02	ENH4X36*17**	OLV098A12A	0.96	1.03
ED*4X42L**	OLV112A16A	0.98	1.02	ENH4X36*17**	OLV112A16A	0.97	1.05
ED*4X42L**	OLV154F20A	1.00	1.04	ENH4X36*17**	OLV154F20A	0.98	1.02
ED*4X42L**	-	0.97	1.13	ENH4X36*17**	OMV098J12A	0.96	1.03
EHD4X36A**	*8MV*0701412**	0.98	1.02	ENH4X36*17**	OMV112K14A	0.96	1.04
EHD4X36A**	*8MV*0901716**	0.98	1.02	ENH4X36*17**	-	0.96	1.09
EHD4X36A**	*8MV*1102120**	0.98	1.02	ENH4X42*21**	*8MV*0701412**	0.96	1.04

COOLING Multiplying Factors for other Indoor Combinations

Indoor Model	Furnace Model	CAPACITY (MBh)	Power (AMPS)	Indoor Model	Furnace Model	CAPACITY (MBh)	Power (AMPS)
EHD4X36A**	*8MV*1352422**	0.98	1.02	ENH4X42*21**	*8MV*0901716**	0.97	1.00
EHD4X36A**	*8MX*0451408**	0.98	1.06	ENH4X42*21**	*8MV*1102120**	0.97	1.00
EHD4X36A**	*8MX*0701716**	0.98	1.06	ENH4X42*21**	*8MV*1352422**	0.97	1.00
EHD4X36A**	*8MX*0902116**	0.99	1.03	ENH4X42*21**	*8MX*0451408**	0.96	1.04
EHD4X36A**	*8MX*1102120**	0.99	0.99	ENH4X42*21**	*8MX*0701716**	0.97	1.05
EHD4X36A**	*9MA*0601714A**	0.97	1.01	ENH4X42*21**	*8MX*0902116**	0.97	1.01
EHD4X36A**	*9MA*0602120A**	0.98	1.02	ENH4X42*21**	*8MX*1102120**	0.98	1.02
EHD4X36A**	*9MA*0801714A**	0.97	1.01	ENH4X42*21**	*9MA*0601714A**	0.96	1.03
EHD4X36A**	*9MA*0802120A**	0.98	1.01	ENH4X42*21**	*9MA*0602120A**	0.96	1.02
EHD4X36A**	*9MA*1002122A**	0.98	1.01	ENH4X42*21**	*9MA*0801714A**	0.96	1.00
EHD4X36A**	*9MA*1202422A**	0.98	1.00	ENH4X42*21**	*9MA*0802120A**	0.97	0.99
EHD4X36A**	*9MV*0601714A**	0.98	1.02	ENH4X42*21**	*9MA*1002122A**	0.97	0.99
EHD4X36A**	*9MV*0801716A**	0.98	1.02	ENH4X42*21**	*9MA*1202422A**	0.97	1.00
EHD4X36A**	*9MV*0802120A**	0.98	1.01	ENH4X42*21**	*9MV*0601714A**	0.97	1.05
EHD4X36A**	*9MV*1002120A**	0.98	1.01	ENH4X42*21**	*9MV*0801716A**	0.97	1.01
EHD4X36A**	*9MV*1202422A**	0.98	1.01	ENH4X42*21**	*9MV*0802120A**	0.97	1.01
EHD4X36A**	*9MX*0601714A**	0.98	1.02	ENH4X42*21**	*9MV*1002120A**	0.97	0.99
EHD4X36A**	*9MX*0801716A**	0.98	1.02	ENH4X42*21**	*9MV*1202422A**	0.97	1.01
EHD4X36A**	MV08B15**B*	0.99	0.99	ENH4X42*21**	*9MX*0601714A**	0.97	1.05
EHD4X36A**	MV12F19**B*	0.99	0.99	ENH4X42*21**	*9MX*0801716A**	0.97	1.00
EHD4X36A**	MV16J22**B*	0.99	0.99	ENH4X42*21**	MV08B15**B*	0.97	1.01
EHD4X36A**	*8MPV050	0.97	1.05	ENH4X42*21**	MV12F19**B*	0.98	0.98
EHD4X36A**	*8MPV075	0.99	1.03	ENH4X42*21**	MV16J22**B*	0.98	0.98
EHD4X36A**	*8MPV100	1.00	1.04	ENH4X42*21**	MV20L24**B*	0.98	0.98
EHD4X36A**	*8MPV125	1.00	1.00	ENH4X42*21**	NOMV106D12*	0.96	1.04
EHD4X36A**	*9MA*1002120A**	0.98	1.02	ENH4X42*21**	NOMV156E19*	0.96	1.00
EHD4X36A**	*9MPV050	0.97	1.05	ENH4X42*21**	*8MPV050	0.96	1.08
EHD4X36A**	*9MPV075	0.98	1.06	ENH4X42*21**	*8MPV075	0.97	1.05
EHD4X36A**	*9MPV100	0.99	1.03	ENH4X42*21**	*8MPV100	0.98	1.02
EHD4X36A**	*9MPV125	0.99	1.03	ENH4X42*21**	*8MPV125	0.98	1.02
EHD4X36A**	*9MV*1002116A**	0.99	1.03	ENH4X42*21**	*9MA*1002120A**	0.97	1.00
EHD4X36A**	*9MVX040	0.97	1.05	ENH4X42*21**	*9MPV050	0.96	1.09
EHD4X36A**	*9MVX060	0.98	1.07	ENH4X42*21**	*9MPV075	0.97	1.05
EHD4X36A**	*9MVX080	1.00	1.04	ENH4X42*21**	*9MPV100	0.98	1.06
EHD4X36A**				ENH4X42*21**	*9MPV125	0.98	1.02

COOLING Multiplying Factors for other Indoor Combinations

Indoor Model	Furnace Model	CAPACITY (MBh)	Power (AMPS)	Indoor Model	Furnace Model	CAPACITY (MBh)	Power (AMPS)
EHD4X36A**	*9MVX100	0.99	1.03	ENH4X42*21**	*9MV*1002116A**	0.97	1.01
EHD4X36A**	OLV098A12A	0.98	1.06	ENH4X42*21**	*9MVX040	0.96	1.09
EHD4X36A**	OLV112A16A	0.99	1.03	ENH4X42*21**	*9MVX060	0.97	1.05
EHD4X36A**	OLV154F20A	1.01	1.05	ENH4X42*21**	*9MVX080	0.98	1.07
EHD4X36A**	OMV098J12A	0.98	1.07	ENH4X42*21**	*9MVX100	0.98	1.02
EHD4X36A**	OMV112K14A	0.98	1.02	ENH4X42*21**	OLV098A12A	0.97	1.05
EHD4X36A**	-	0.99	1.15	ENH4X42*21**	OLV112A16A	0.98	1.02
EHD4X42A**	*8MV*0701412**	0.98	1.02	ENH4X42*21**	OLV154F20A	1.00	1.04
EHD4X42A**	*8MV*0901716**	0.98	0.98	ENH4X42*21**	OMV098J12A	0.97	1.05
EHD4X42A**	*8MV*1102120**	0.99	0.99	ENH4X42*21**	OMV112K14A	0.97	1.01
EHD4X42A**	*8MV*1352422**	0.99	0.99	ENH4X42*21**	-	0.97	1.10
EHD4X42A**	*8MX*0451408**	0.98	1.07	ENH4X43*21**	*8MV*0701412**	0.99	1.03
EHD4X42A**	*8MX*0701716**	0.99	1.03	ENH4X43*21**	*8MV*0901716**	0.99	0.99
EHD4X42A**	*8MX*0902116**	0.99	0.99	ENH4X43*21**	*8MV*1102120**	0.99	0.99
EHD4X42A**	*8MX*1102120**	1.00	1.00	ENH4X43*21**	*8MV*1352422**	0.99	0.99
EHD4X42A**	*9MA*0601714A**	0.98	1.02	ENH4X43*21**	*8MX*0451408**	0.99	1.08
EHD4X42A**	*9MA*0602120A**	0.98	1.01	ENH4X43*21**	*8MX*0701716**	1.00	1.04
EHD4X42A**	*9MA*0801714A**	0.98	1.00	ENH4X43*21**	*8MX*0902116**	1.01	1.01
EHD4X42A**	*9MA*0802120A**	0.99	0.99	ENH4X43*21**	*8MX*1102120**	1.00	1.00
EHD4X42A**	*9MA*1002122A**	0.99	0.99	ENH4X43*21**	*9MA*0601714A**	0.98	1.02
EHD4X42A**	*9MA*1202422A**	0.99	1.01	ENH4X43*21**	*9MA*0801714A**	0.99	1.01
EHD4X42A**	*9MV*0601714A**	0.99	1.03	ENH4X43*21**	*9MA*1202422A**	0.99	0.99
EHD4X42A**	*9MV*0801716A**	0.99	1.03	ENH4X43*21**	*9MV*0601714A**	1.00	1.04
EHD4X42A**	*9MV*0802120A**	0.99	1.01	ENH4X43*21**	*9MV*0801716A**	0.99	1.01
EHD4X42A**	*9MV*1002120A**	0.99	1.01	ENH4X43*21**	*9MV*1202422A**	1.01	1.01
EHD4X42A**	*9MV*1202422A**	0.99	1.02	ENH4X43*21**	*9MX*0601714A**	1.00	1.04
EHD4X42A**	*9MX*0601714A**	0.99	1.03	ENH4X43*21**	*9MX*0801716A**	1.00	1.02
EHD4X42A**	*9MX*0801716A**	0.99	1.01	ENH4X43*21**	MV08B15**B*	1.00	1.00
EHD4X42A**	MV08B15**B*	0.99	0.99	ENH4X43*21**	MV12F19**B*	1.00	1.00
EHD4X42A**	MV12F19**B*	0.99	0.99	ENH4X43*21**	MV16J22**B*	1.00	1.00
EHD4X42A**	MV16J22**B*	0.99	0.99	ENH4X43*21**	MV20L24**B*	1.00	1.00
EHD4X42A**	MV20L24**B*	0.99	0.99	ENH4X43*21**	NOMV106D12*	0.99	1.03
EHD4X42A**	*8MPV050	0.98	1.06	ENH4X43*21**	NOMV156E19*	0.99	0.99
EHD4X42A**	*8MPV075	0.99	1.03	ENH4X43*21**	*8MPV050	0.99	1.07
EHD4X42A**	*8MPV100	1.00	1.00	ENH4X43*21**	*8MPV075	1.00	1.04

COOLING Multiplying Factors for other Indoor Combinations

Indoor Model	Furnace Model	CAPACITY (MBh)	Power (AMPS)	Indoor Model	Furnace Model	CAPACITY (MBh)	Power (AMPS)
EHD4X42A**	*8MPV125	1.00	1.00	ENH4X43*21**	*8MPV100	1.00	1.00
EHD4X42A**	*9MA*1002120A**	0.98	1.01	ENH4X43*21**	*8MPV125	1.00	1.00
EHD4X42A**	*9MPV050	0.98	1.07	ENH4X43*21**	*9MA*1002120A**	0.99	1.02
EHD4X42A**	*9MPV075	0.98	1.07	ENH4X43*21**	*9MPV050	0.99	1.08
EHD4X42A**	*9MPV100	0.99	1.03	ENH4X43*21**	*9MPV075	0.99	1.08
EHD4X42A**	*9MPV125	1.00	1.00	ENH4X43*21**	*9MPV100	1.00	1.04
EHD4X42A**	*9MV*1002116A**	0.99	1.02	ENH4X43*21**	*9MPV125	1.00	1.00
EHD4X42A**	*9MVX040	0.98	1.07	ENH4X43*21**	*9MV*1002116A**	0.99	1.02
EHD4X42A**	*9MVX060	0.98	1.02	ENH4X43*21**	*9MVX040	0.99	1.07
EHD4X42A**	*9MVX080	1.00	1.04	ENH4X43*21**	*9MVX060	1.00	1.04
EHD4X42A**	*9MVX100	1.00	1.00	ENH4X43*21**	*9MVX080	1.00	1.04
EHD4X42A**	OLV098A12A	0.98	1.02	ENH4X43*21**	*9MVX100	1.00	1.00
EHD4X42A**	OLV112A16A	0.99	1.03	ENH4X43*21**	OLV098A12A	0.99	1.03
EHD4X42A**	OLV154F20A	1.01	1.05	ENH4X43*21**	OLV112A16A	1.01	1.05
EHD4X42A**	OMV098J12A	0.99	1.03	ENH4X43*21**	OLV154F20A	1.01	1.05
EHD4X42A**	OMV112K14A	0.99	1.03	ENH4X43*21**	OMV098J12A	0.99	1.03
EHD4X42A**	-	0.99	1.07	ENH4X43*21**	OMV112K14A	1.00	1.04
EMA4X36D**	-	0.96	1.12	ENH4X43*21**	-	1.00	1.08
EN(A,D)4X36*21**	*8MV*1102120**	0.96	0.99	FEA4X36**A*	-	0.96	1.08
EN(A,D)4X36*21**	*8MX*0902116**	0.96	1.00	FEM4P36**A*	-	0.96	1.03
EN(A,D)4X36*21**	*8MX*1102120**	0.96	1.00	FEM4P36**A*	-	0.96	1.08
EN(A,D)4X36*21**	*9MA*0601714A**	0.94	1.02	FEM4P42**A*	-	1.00	1.04
EN(A,D)4X36*21**	*9MA*0602120A**	0.95	1.01	FEM4P42**A*	-	0.99	1.07
EN(A,D)4X36*21**	*9MA*0801714A**	0.95	1.03	FEM4P48**A*	-	1.00	1.04
EN(A,D)4X36*21**	*9MA*0802120A**	0.96	0.99	FEM4X36****	-	1.00	1.04
EN(A,D)4X36*21**	*9MA*1002122A**	0.96	1.00	FEM4X42****	-	1.00	1.04
EN(A,D)4X36*21**	*9MV*0601714A**	0.96	1.03	FS(M,U)4P36**A*	-	0.97	1.05
EN(A,D)4X36*21**	*9MV*0801716A**	0.96	1.04	FS(M,U)4P36**A*	-	0.96	1.09
EN(A,D)4X36*21**	*9MV*0802120A**	0.96	0.99	FS(M,U)4P42**A*	-	0.99	1.05
EN(A,D)4X36*21**	*9MV*1002120A**	0.96	0.99	FS(M,U)4P42**A*	-	0.98	1.11
EN(A,D)4X36*21**	*9MX*0601714A**	0.96	1.03	FS(M,U)4X42****	-	0.98	1.11
EN(A,D)4X36*21**	*9MX*0801716A**	0.96	0.99	FSA4X36**A*	-	0.97	1.14
EN(A,D)4X36*21**	NOMV156E19*	0.95	1.03	FSM4X36****	-	0.98	1.14
EN(A,D)4X36*21**	*9MA*1002120A**	0.96	0.99	FSU4X36****	-	0.96	1.09
EN(A,D)4X36*21**	*9MPV100	0.97	1.01	FVM4X24****	-	0.96	1.00

COOLING Multiplying Factors for other Indoor Combinations

Indoor Model	Furnace Model	CAPACITY (MBh)	Power (AMPS)	Indoor Model	Furnace Model	CAPACITY (MBh)	Power (AMPS)
EN(A,D)4X36*21**	*9MV*1002116A**	0.96	1.04	FVM4X36****	-	0.97	0.98
EN(A,D)4X36*21**	*9MVX080	0.98	1.02	FVM4X48****	-	1.01	1.01
EN(A,D)4X36*21**	OLV098A12A	0.96	1.03	FVM4X60****	-	1.01	1.01
				FXM4X42**A*	-	1.00	1.00
				FXM4X48**A*	-	1.01	1.01

COOLING Multiplying Factors for other Indoor Combinations

Indoor Model	Furnace Model	CAPACITY (MBh)	Power (AMPS)	Indoor Model	Furnace Model	CAPACITY (MBh)	Power (AMPS)
(C,H,T)XH542							
*FXM4X42**A*	-	1.00	1.00	EHD4X48A**	MV16J22**B*	1.01	1.01
EA*4X42*21A*	*8MV*1102120**	0.99	1.01	EHD4X48A**	MV20L24**B*	1.01	1.01
EA*4X42*21A*	*8MX*0902116**	0.99	1.01	EHD4X48A**	NOMV156E19*	1.00	1.00
EA*4X42*21A*	*8MX*1102120**	0.99	1.01	EHD4X48A**	*8MPV075	1.01	1.05
EA*4X42*21A*	*9MA*0601714A**	0.96	1.06	EHD4X48A**	*8MPV100	1.01	1.01
EA*4X42*21A*	*9MA*0602120A**	0.98	1.04	EHD4X48A**	*8MPV125	1.01	1.01
EA*4X42*21A*	*9MA*0801714A**	0.98	1.03	EHD4X48A**	*9MA*1002120A**	1.00	1.04
EA*4X42*21A*	*9MA*0802120A**	0.98	1.02	EHD4X48A**	*9MPV075	1.00	1.09
EA*4X42*21A*	*9MA*1002122A**	0.99	1.01	EHD4X48A**	*9MPV100	1.01	1.01
EA*4X42*21A*	*9MV*0601714A**	0.98	1.07	EHD4X48A**	*9MPV125	1.01	1.01
EA*4X42*21A*	*9MV*0801716A**	0.98	1.06	EHD4X48A**	*9MV*1002116A**	1.01	1.05
EA*4X42*21A*	*9MV*0802120A**	0.99	1.03	EHD4X48A**	*9MVX060	1.00	1.04
EA*4X42*21A*	*9MV*1002120A**	0.99	1.01	EHD4X48A**	*9MVX080	1.01	1.05
EA*4X42*21A*	*9MX*0601714A**	0.98	1.06	EHD4X48A**	*9MVX100	1.01	1.01
EA*4X42*21A*	*9MX*0801716A**	0.99	1.05	EHD4X48A**	*9MX*1002116A**	1.00	1.04
EA*4X42*21A*	*9MX*0802120A**	0.99	1.03	EHD4X48A**	OLV112A16A	1.01	1.05
EA*4X42*21A*	*9MX*1002120A**	0.99	1.01	EHD4X48A**	OLV154F20A	1.01	1.01
EA*4X42*21A*	*9MA*1002120A**	0.98	1.03	EHD4X48A**	OMV112K14A	1.01	1.05
EA*4X42*21A*	*9MV*1002116A**	0.99	1.05	EHD4X48A**	-	1.01	1.10
EA*4X42*21A*	*9MX*1002116A**	0.98	1.03	EMA4X48D**	-	1.00	1.09
EA*4X42*21A*	-	0.99	1.09	EN(A,D)4X43*24**	*8MV*1102120**	1.01	1.01
EA*4X42*24A*	*8MV*1352422**	0.99	1.01	EN(A,D)4X43*24**	*8MV*1352422**	1.01	0.97
EA*4X42*24A*	*8MX*1352420**	0.99	1.01	EN(A,D)4X43*24**	*8MX*1102120**	1.01	0.97
EA*4X42*24A*	*9MA*1202422A**	0.98	1.02	EN(A,D)4X43*24**	*8MX*1352420**	1.01	0.97
EA*4X42*24A*	*9MV*1202422A**	0.99	1.03	EN(A,D)4X43*24**	*9MA*1202422A**	1.01	1.01
EA*4X42*24A*	*9MX*1202422A**	1.00	1.04	EN(A,D)4X43*24**	*9MV*1202422A**	1.01	1.00

COOLING Multiplying Factors for other Indoor Combinations

Indoor Model	Furnace Model	CAPACITY (MBh)	Power (AMPS)	Indoor Model	Furnace Model	CAPACITY (MBh)	Power (AMPS)
EA*4X42*24A*	*9MA*1002120A**	0.98	1.03	EN(A,D)4X43*24**	*9MX*1202422A**	1.01	1.00
EA*4X42*24A*	*9MV*1002116A**	0.99	1.05	EN(A,D)4X43*24**	*9MA*1002120A**	1.01	1.01
EA*4X42*24A*	*9MX*1002116A**	0.98	1.03	EN(A,D)4X43*24**	*9MPV100	1.01	1.01
EA*4X42*24A*	-	0.99	1.09	EN(A,D)4X43*24**	*9MPV125	1.01	1.01
EA*4X48*17A*	*8MV*0901716**	1.00	1.02	EN(A,D)4X43*24**	*9MV*1002116A**	1.01	1.01
EA*4X48*17A*	*8MX*0701716**	1.00	1.07	EN(A,D)4X43*24**	*9MVX080	1.01	1.01
EA*4X48*17A*	*9MA*0601714A**	0.99	1.05	EN(A,D)4X43*24**	*9MVX100	1.01	1.01
EA*4X48*17A*	*9MA*0801714A**	1.00	1.04	EN(A,D)4X43*24**	*9MX*1002116A**	1.01	1.01
EA*4X48*17A*	*9MV*0601714A**	1.00	1.06	EN(A,D)4X43*24**	OLV112A16A	1.01	1.05
EA*4X48*17A*	*9MV*0801716A**	1.00	1.04	EN(A,D)4X43*24**	OLV154F20A	1.01	1.01
EA*4X48*17A*	*9MX*0601714A**	1.00	1.06	EN(A,D)4X43*24**	-	1.01	1.05
EA*4X48*17A*	*9MX*0801716A**	1.01	1.05	EN(A,D)4X48*24**	*8MV*1352422**	1.00	1.00
EA*4X48*17A*	-	1.01	1.08	EN(A,D)4X48*24**	*8MX*1352420**	1.01	1.01
EA*4X48*21A*	*8MV*1102120**	1.00	1.02	EN(A,D)4X48*24**	*9MA*1202422A**	1.00	1.00
EA*4X48*21A*	*8MX*0902116**	1.00	1.02	EN(A,D)4X48*24**	*9MV*1202422A**	1.00	1.00
EA*4X48*21A*	*8MX*1102120**	1.00	1.00	EN(A,D)4X48*24**	*9MX*1202422A**	1.01	1.01
EA*4X48*21A*	*9MA*0601714A**	0.99	1.05	EN(A,D)4X48*24**	*9MA*1002120A**	1.00	1.04
EA*4X48*21A*	*9MA*0602120A**	0.99	1.03	EN(A,D)4X48*24**	*9MPV100	1.01	1.01
EA*4X48*21A*	*9MA*0801714A**	0.99	1.05	EN(A,D)4X48*24**	*9MPV125	1.01	1.01
EA*4X48*21A*	*9MA*0802120A**	0.99	1.01	EN(A,D)4X48*24**	*9MV*1002116A**	1.01	1.05
EA*4X48*21A*	*9MA*1002122A**	1.00	1.02	EN(A,D)4X48*24**	*9MVX080	1.01	1.01
EA*4X48*21A*	*9MV*0601714A**	0.99	1.07	EN(A,D)4X48*24**	*9MVX100	1.01	1.01
EA*4X48*21A*	*9MV*0801716A**	0.99	1.05	EN(A,D)4X48*24**	*9MX*1002116A**	1.00	1.04
EA*4X48*21A*	*9MV*0802120A**	1.00	1.02	EN(A,D)4X48*24**	OLV112A16A	1.01	1.05
EA*4X48*21A*	*9MV*1002120A**	1.00	1.02	EN(A,D)4X48*24**	OLV154F20A	1.01	1.01
EA*4X48*21A*	*9MX*0601714A**	1.00	1.06	EN(A,D)4X48*24**	-	1.01	1.10
EA*4X48*21A*	*9MX*0801716A**	1.00	1.06	EN(A,D,W)4X42*21**	*8MV*1102120**	0.99	1.03
EA*4X48*21A*	*9MX*0802120A**	1.00	1.02	EN(A,D,W)4X42*21**	*8MX*0902116**	0.99	1.03
EA*4X48*21A*	*9MX*1002120A**	1.00	1.02	EN(A,D,W)4X42*21**	*8MX*1102120**	0.99	1.03
EA*4X48*21A*	*9MA*1002120A**	0.99	1.03	EN(A,D,W)4X42*21**	*9MA*0601714A**	0.96	1.06
EA*4X48*21A*	*9MV*1002116A**	1.00	1.04	EN(A,D,W)4X42*21**	*9MA*0602120A**	0.98	1.04
EA*4X48*21A*	*9MX*1002116A**	0.99	1.03	EN(A,D,W)4X42*21**	*9MA*0801714A**	0.98	1.06
EA*4X48*21A*	-	1.01	1.10	EN(A,D,W)4X42*21**	*9MA*0802120A**	0.98	1.02
EA*4X48*24A*	*8MV*1352422**	1.00	1.00	EN(A,D,W)4X42*21**	*9MA*1002122A**	0.99	1.03
EA*4X48*24A*	*8MX*1352420**	1.01	1.01	EN(A,D,W)4X42*21**	*9MV*0601714A**	0.98	1.07

COOLING Multiplying Factors for other Indoor Combinations

Indoor Model	Furnace Model	CAPACITY (MBh)	Power (AMPS)	Indoor Model	Furnace Model	CAPACITY (MBh)	Power (AMPS)
EA*4X48*24A*	*9MA*1202422A**	0.99	1.03	EN(A,D,W)4X42*21**	*9MV*0801716A**	0.98	1.06
EA*4X48*24A*	*9MV*1202422A**	1.00	1.00	EN(A,D,W)4X42*21**	*9MV*0802120A**	0.99	1.03
EA*4X48*24A*	*9MX*1202422A**	1.01	1.01	EN(A,D,W)4X42*21**	*9MV*1002120A**	0.98	1.02
EA*4X48*24A*	*9MA*1002120A**	0.99	1.03	EN(A,D,W)4X42*21**	*9MX*0601714A**	0.98	1.07
EA*4X48*24A*	*9MV*1002116A**	1.00	1.04	EN(A,D,W)4X42*21**	*9MX*0801716A**	0.99	1.07
EA*4X48*24A*	*9MX*1002116A**	1.00	1.04	EN(A,D,W)4X42*21**	*9MX*0802120A**	0.99	1.03
EA*4X48*24A*	-	1.01	1.10	EN(A,D,W)4X42*21**	*9MX*1002120A**	0.99	1.03
ED*4X42F**	*9MA*0601714A**	0.96	1.06	EN(A,D,W)4X42*21**	NOMV156E19*	0.98	1.02
ED*4X42F**	*9MA*0801714A**	0.98	1.06	EN(A,D,W)4X42*21**	*9MA*1002120A**	0.98	1.03
ED*4X42F**	*9MV*0601714A**	0.98	1.07	EN(A,D,W)4X42*21**	*9MPV100	0.99	1.03
ED*4X42F**	*9MV*0801716A**	0.98	1.06	EN(A,D,W)4X42*21**	*9MV*1002116A**	0.99	1.05
ED*4X42F**	*9MX*0601714A**	0.98	1.07	EN(A,D,W)4X42*21**	*9MVX060	0.98	1.06
ED*4X42F**	*9MX*0801716A**	0.99	1.07	EN(A,D,W)4X42*21**	*9MVX080	0.99	1.03
ED*4X42F**	MV12F19**B*	0.99	0.99	EN(A,D,W)4X42*21**	*9MX*1002116A**	0.98	1.03
ED*4X42F**	*8MPV075	0.99	1.07	EN(A,D,W)4X42*21**	OLV112A16A	0.99	1.07
ED*4X42F**	*9MPV075	0.98	1.06	EN(A,D,W)4X42*21**	OMV112K14A	0.98	1.02
ED*4X42F**	*9MVX060	0.98	1.06	EN(A,D,W)4X42*21**	-	0.99	1.07
ED*4X42F**	OLV112A16A	0.99	1.07	EN(A,D,W)4X48*21**	*8MV*1102120**	1.00	1.00
ED*4X42F**	OMV112K14A	0.98	1.02	EN(A,D,W)4X48*21**	*8MX*0902116**	1.01	1.01
ED*4X42F**	-	0.98	1.06	EN(A,D,W)4X48*21**	*8MX*1102120**	1.01	1.01
ED*4X42J**	*8MV*1102120**	0.99	1.03	EN(A,D,W)4X48*21**	*9MA*0601714A**	0.99	1.05
ED*4X42J**	*8MX*0902116**	0.99	1.03	EN(A,D,W)4X48*21**	*9MA*0602120A**	0.99	1.03
ED*4X42J**	*8MX*1102120**	0.99	0.99	EN(A,D,W)4X48*21**	*9MA*0801714A**	0.99	1.03
ED*4X42J**	MV16J22**B*	0.99	0.99	EN(A,D,W)4X48*21**	*9MA*0802120A**	1.00	1.02
ED*4X42J**	NOMV156E19*	0.98	1.02	EN(A,D,W)4X48*21**	*9MA*1002122A**	1.00	1.00
ED*4X42J**	*8MPV100	1.00	1.04	EN(A,D,W)4X48*21**	*9MV*0601714A**	1.00	1.06
ED*4X42J**	*8MPV125	1.00	1.04	EN(A,D,W)4X48*21**	*9MV*0801716A**	1.00	1.04
ED*4X42J**	*9MA*1002120A**	0.98	1.03	EN(A,D,W)4X48*21**	*9MV*0802120A**	1.00	1.02
ED*4X42J**	*9MPV100	0.99	1.03	EN(A,D,W)4X48*21**	*9MV*1002120A**	1.00	1.00
ED*4X42J**	*9MV*1002116A**	0.99	1.05	EN(A,D,W)4X48*21**	*9MX*0601714A**	1.00	1.06
ED*4X42J**	*9MVX080	1.00	1.04	EN(A,D,W)4X48*21**	*9MX*0801716A**	1.00	1.04
ED*4X42J**	*9MX*1002116A**	0.98	1.03	EN(A,D,W)4X48*21**	*9MX*0802120A**	1.01	1.04
ED*4X42J**	OLV112A16A	0.99	1.07	EN(A,D,W)4X48*21**	*9MX*1002120A**	1.01	1.01
ED*4X42J**	-	0.99	1.07	EN(A,D,W)4X48*21**	NOMV156E19*	1.00	1.00
ED*4X42L**	*8MV*1352422**	0.99	0.99	EN(A,D,W)4X48*21**	*9MA*1002120A**	1.00	1.04

COOLING Multiplying Factors for other Indoor Combinations

Indoor Model	Furnace Model	CAPACITY (MBh)	Power (AMPS)	Indoor Model	Furnace Model	CAPACITY (MBh)	Power (AMPS)
ED*4X42L**	*8MX*1352420**	0.99	1.03	EN(A,D,W)4X48*21**	*9MPV100	1.01	1.01
ED*4X42L**	*9MA*1202422A**	0.98	1.02	EN(A,D,W)4X48*21**	*9MV*1002116A**	1.01	1.05
ED*4X42L**	*9MV*1202422A**	0.99	1.03	EN(A,D,W)4X48*21**	*9MVX080	1.01	1.01
ED*4X42L**	*9MX*1202422A**	1.00	1.04	EN(A,D,W)4X48*21**	*9MX*1002116A**	1.00	1.04
ED*4X42L**	MV20L24**B*	1.00	1.00	EN(A,D,W)4X48*21**	OLV112A16A	1.01	1.05
ED*4X42L**	*9MA*1002120A**	0.98	1.03	EN(A,D,W)4X48*21**	OMV112K14A	1.00	1.04
ED*4X42L**	*9MPV125	0.99	1.03	EN(A,D,W)4X48*21**	-	1.01	1.10
ED*4X42L**	*9MV*1002116A**	0.99	1.05	END4X42*17**	*8MV*0901716**	0.99	1.03
ED*4X42L**	*9MVX100	0.99	1.03	END4X42*17**	*8MX*0701716**	0.99	1.07
ED*4X42L**	*9MX*1002116A**	0.98	1.03	END4X42*17**	*9MA*0601714A**	0.98	1.06
ED*4X42L**	OLV112A16A	0.99	1.03	END4X42*17**	*9MA*0801714A**	0.98	1.03
ED*4X42L**	OLV154F20A	1.01	1.05	END4X42*17**	*9MV*0601714A**	0.99	1.07
ED*4X48F**	-	0.99	1.07	END4X42*17**	*9MV*0801716A**	0.99	1.05
ED*4X48F**	*8MV*0901716**	1.00	1.00	END4X42*17**	*9MX*0601714A**	0.99	1.07
ED*4X48F**	*8MX*0701716**	1.00	1.04	END4X42*17**	*9MX*0801716A**	0.99	1.05
ED*4X48F**	*9MA*0601714A**	0.99	1.05	END4X42*17**	*9MVX060	0.99	1.07
ED*4X48F**	*9MA*0801714A**	1.00	1.04	END4X42*17**	OMV112K14A	0.99	1.03
ED*4X48F**	*9MV*0601714A**	1.00	1.06	END4X42*17**	-	1.00	1.09
ED*4X48F**	*9MV*0801716A**	1.00	1.04	ENH4X42*21**	*8MV*0701412**	0.98	1.03
ED*4X48F**	*9MX*0601714A**	1.00	1.06	ENH4X42*21**	*8MV*0901716**	0.99	1.03
ED*4X48F**	*9MX*0801716A**	1.01	1.05	ENH4X42*21**	*8MV*1102120**	0.99	1.03
ED*4X48F**	MV12F19**B*	1.01	1.01	ENH4X42*21**	*8MV*1352422**	0.99	1.03
ED*4X48F**	*8MPV075	1.01	1.05	ENH4X42*21**	*8MX*0701716**	0.98	1.06
ED*4X48F**	*9MPV075	1.00	1.09	ENH4X42*21**	*8MX*0902116**	0.99	1.03
ED*4X48F**	*9MVX060	1.00	1.04	ENH4X42*21**	*8MX*1102120**	0.99	1.03
ED*4X48F**	OLV112A16A	1.01	1.05	ENH4X42*21**	*8MX*1352420**	0.99	1.03
ED*4X48F**	OMV112K14A	1.00	1.04	ENH4X42*21**	*9MA*0601714A**	0.96	1.06
ED*4X48F**	-	1.01	1.10	ENH4X42*21**	*9MA*0602120A**	0.98	1.04
ED*4X48J**	*8MV*1102120**	1.00	1.00	ENH4X42*21**	*9MA*0801714A**	0.98	1.06
ED*4X48J**	*8MX*0902116**	1.00	1.00	ENH4X42*21**	*9MA*0802120A**	0.98	1.02
ED*4X48J**	*8MX*1102120**	1.00	1.00	ENH4X42*21**	*9MA*1002122A**	0.99	1.03
ED*4X48J**	MV16J22**B*	1.01	1.01	ENH4X42*21**	*9MA*1202422A**	0.98	1.02
ED*4X48J**	NOMV156E19*	1.00	1.04	ENH4X42*21**	*9MV*0601714A**	0.98	1.07
ED*4X48J**	*8MPV100	1.01	1.01	ENH4X42*21**	*9MV*0801716A**	0.98	1.06
ED*4X48J**	*8MPV125	1.01	1.01	ENH4X42*21**	*9MV*0802120A**	0.99	1.03

COOLING Multiplying Factors for other Indoor Combinations

Indoor Model	Furnace Model	CAPACITY (MBh)	Power (AMPS)	Indoor Model	Furnace Model	CAPACITY (MBh)	Power (AMPS)
ED*4X48J**	*9MA*1002120A**	0.99	1.03	ENH4X42*21**	*9MV*1002120A**	0.98	1.02
ED*4X48J**	*9MPV100	1.01	1.05	ENH4X42*21**	*9MV*1202422A**	0.99	1.03
ED*4X48J**	*9MV*1002116A**	1.00	1.04	ENH4X42*21**	*9MX*0601714A**	0.98	1.07
ED*4X48J**	*9MVX080	1.01	1.05	ENH4X42*21**	*9MX*0801716A**	0.99	1.07
ED*4X48J**	*9MX*1002116A**	0.99	1.03	ENH4X42*21**	*9MX*0802120A**	0.99	1.03
ED*4X48J**	OLV112A16A	1.00	1.04	ENH4X42*21**	*9MX*1002120A**	0.99	1.03
ED*4X48J**	-	1.01	1.10	ENH4X42*21**	*9MX*1202422A**	0.99	1.03
ED*4X48L**	*8MV*1352422**	1.00	1.00	ENH4X42*21**	NOMV156E19*	0.98	1.02
ED*4X48L**	*8MX*1352420**	1.01	1.01	ENH4X42*21**	*9MA*1002120A**	0.98	1.03
ED*4X48L**	*9MA*1202422A**	0.99	1.03	ENH4X42*21**	*9MPV100	0.99	1.03
ED*4X48L**	*9MV*1202422A**	1.00	1.00	ENH4X42*21**	*9MV*1002116A**	0.99	1.05
ED*4X48L**	*9MX*1202422A**	1.01	1.01	ENH4X42*21**	*9MVX060	0.98	1.06
ED*4X48L**	MV20L24**B*	1.01	1.01	ENH4X42*21**	*9MVX080	0.99	1.03
ED*4X48L**	*9MA*1002120A**	0.99	1.03	ENH4X42*21**	*9MX*1002116A**	0.98	1.03
ED*4X48L**	*9MPV125	1.01	1.01	ENH4X42*21**	OLV112A16A	0.99	1.07
ED*4X48L**	*9MV*1002116A**	1.00	1.04	ENH4X42*21**	OLV154F20A	1.01	1.05
ED*4X48L**	*9MVX100	1.01	1.01	ENH4X42*21**	OMV112K14A	0.98	1.02
ED*4X48L**	*9MX*1002116A**	1.00	1.04	ENH4X42*21**	-	0.99	1.07
ED*4X48L**	OLV112A16A	1.00	1.04	ENH4X43*21**	*9MA*0601714A**	1.00	1.04
ED*4X48L**	OLV154F20A	1.01	1.01	ENH4X43*21**	*9MA*0801714A**	1.00	1.04
ED*4X48L**	-	1.01	1.10	ENH4X43*21**	*9MA*1202422A**	1.01	1.01
EHD4X42A**	*8MV*0701412**	0.99	1.03	ENH4X43*21**	*9MV*0601714A**	1.01	1.05
EHD4X42A**	*8MV*0901716**	1.00	1.00	ENH4X43*21**	*9MV*0801716A**	1.01	1.05
EHD4X42A**	*8MV*1102120**	1.00	1.00	ENH4X43*21**	*9MV*1202422A**	1.01	1.01
EHD4X42A**	*8MV*1352422**	1.00	1.00	ENH4X43*21**	*9MX*0601714A**	1.01	1.05
EHD4X42A**	*8MX*0701716**	0.99	1.07	ENH4X43*21**	*9MX*0801716A**	1.01	1.05
EHD4X42A**	*8MX*0902116**	1.00	1.00	ENH4X43*21**	*9MX*1202422A**	1.01	1.01
EHD4X42A**	*8MX*1102120**	1.00	1.00	ENH4X43*21**	NOMV156E19*	1.01	1.01
EHD4X42A**	*8MX*1352420**	1.00	1.00	ENH4X43*21**	*9MA*1002120A**	1.01	1.01
EHD4X42A**	*9MA*0601714A**	0.99	1.05	ENH4X43*21**	*9MPV100	1.01	1.01
EHD4X42A**	*9MA*0602120A**	0.99	1.03	ENH4X43*21**	*9MPV125	1.01	1.01
EHD4X42A**	*9MA*0801714A**	0.99	1.03	ENH4X43*21**	*9MV*1002116A**	1.00	1.00
EHD4X42A**	*9MA*0802120A**	1.00	1.02	ENH4X43*21**	*9MVX080	1.01	1.01
EHD4X42A**	*9MA*1002122A**	1.01	1.01	ENH4X43*21**	*9MVX100	1.01	1.01
EHD4X42A**	*9MA*1202422A**	1.00	1.00	ENH4X43*21**	*9MX*1002116A**	1.01	1.01

COOLING Multiplying Factors for other Indoor Combinations

Indoor Model	Furnace Model	CAPACITY (MBh)	Power (AMPS)	Indoor Model	Furnace Model	CAPACITY (MBh)	Power (AMPS)
EHD4X42A**	*9MV*0601714A**	1.00	1.06	ENH4X43*21**	OLV112A16A	1.01	1.05
EHD4X42A**	*9MV*0801716A**	1.00	1.04	ENH4X43*21**	OLV154F20A	1.01	1.01
EHD4X42A**	*9MV*0802120A**	1.00	1.02	ENH4X43*21**	OMV112K14A	1.01	1.01
EHD4X42A**	*9MV*1002120A**	1.00	1.00	ENH4X48*21**	*8MV*0701412**	1.00	1.04
EHD4X42A**	*9MV*1202422A**	1.00	1.00	ENH4X48*21**	*8MV*0901716**	1.00	1.00
EHD4X42A**	*9MX*0601714A**	1.00	1.06	ENH4X48*21**	*8MV*1102120**	1.00	1.00
EHD4X42A**	*9MX*0801716A**	1.01	1.05	ENH4X48*21**	*8MV*1352422**	1.00	1.00
EHD4X42A**	*9MX*0802120A**	1.01	1.04	ENH4X48*21**	*8MX*0701716**	1.00	1.04
EHD4X42A**	*9MX*1002120A**	1.00	1.00	ENH4X48*21**	*8MX*0902116**	1.01	1.01
EHD4X42A**	*9MX*1202422A**	1.01	1.01	ENH4X48*21**	*8MX*1102120**	1.01	1.01
EHD4X42A**	MV12F19**B*	1.00	1.00	ENH4X48*21**	*8MX*1352420**	1.01	1.01
EHD4X42A**	MV16J22**B*	0.99	0.99	ENH4X48*21**	*9MA*0601714A**	0.99	1.05
EHD4X42A**	MV20L24**B*	1.00	1.00	ENH4X48*21**	*9MA*0602120A**	0.99	1.03
EHD4X42A**	NOMV156E19*	1.00	1.00	ENH4X48*21**	*9MA*0801714A**	0.99	1.03
EHD4X42A**	*8MPV075	1.00	1.04	ENH4X48*21**	*9MA*0802120A**	1.00	1.02
EHD4X42A**	*8MPV100	1.00	1.04	ENH4X48*21**	*9MA*1002122A**	1.00	1.00
EHD4X42A**	*8MPV125	1.00	1.04	ENH4X48*21**	*9MA*1202422A**	1.00	1.00
EHD4X42A**	*9MA*1002120A**	1.00	1.04	ENH4X48*21**	*9MV*0601714A**	1.00	1.06
EHD4X42A**	*9MPV075	0.99	1.07	ENH4X48*21**	*9MV*0801716A**	1.00	1.04
EHD4X42A**	*9MPV100	0.99	1.03	ENH4X48*21**	*9MV*0802120A**	1.00	1.02
EHD4X42A**	*9MPV125	0.99	1.03	ENH4X48*21**	*9MV*1002120A**	1.00	1.00
EHD4X42A**	*9MV*1002116A**	1.01	1.05	ENH4X48*21**	*9MV*1202422A**	1.00	1.00
EHD4X42A**	*9MVX060	0.99	1.07	ENH4X48*21**	*9MX*0601714A**	1.00	1.06
EHD4X42A**	*9MVX080	1.00	1.04	ENH4X48*21**	*9MX*0801716A**	1.00	1.04
EHD4X42A**	*9MVX100	0.99	1.03	ENH4X48*21**	*9MX*0802120A**	1.01	1.04
EHD4X42A**	*9MX*1002116A**	1.00	1.04	ENH4X48*21**	*9MX*1002120A**	1.01	1.01
EHD4X42A**	OLV112A16A	1.01	1.05	ENH4X48*21**	*9MX*1202422A**	1.01	1.01
EHD4X42A**	OLV154F20A	1.01	1.01	ENH4X48*21**	NOMV156E19*	1.00	1.00
EHD4X42A**	OMV112K14A	1.00	1.04	ENH4X48*21**	*9MA*1002120A**	1.00	1.04
EHD4X42A**	-	0.99	1.07	ENH4X48*21**	*9MPV100	1.01	1.01
EHD4X48A**	*8MV*0701412**	1.00	1.04	ENH4X48*21**	*9MPV125	1.01	1.01
EHD4X48A**	*8MV*0901716**	1.00	1.00	ENH4X48*21**	*9MV*1002116A**	1.01	1.05
EHD4X48A**	*8MV*1102120**	1.00	1.00	ENH4X48*21**	*9MVX080	1.01	1.01
EHD4X48A**	*8MV*1352422**	1.01	1.01	ENH4X48*21**	*9MVX100	1.01	1.01
EHD4X48A**	*8MX*0701716**	1.00	1.04	ENH4X48*21**	*9MX*1002116A**	1.00	1.04

COOLING Multiplying Factors for other Indoor Combinations

Indoor Model	Furnace Model	CAPACITY (MBh)	Power (AMPS)	Indoor Model	Furnace Model	CAPACITY (MBh)	Power (AMPS)
EHD4X48A**	*8MX*0902116**	1.01	1.01	ENH4X48*21**	OLV112A16A	1.01	1.05
EHD4X48A**	*8MX*1102120**	1.01	1.01	ENH4X48*21**	OLV154F20A	1.01	1.01
EHD4X48A**	*8MX*1352420**	1.01	1.01	ENH4X48*21**	OMV112K14A	1.00	1.04
EHD4X48A**	*9MA*0601714A**	1.00	1.06	ENH4X48*21**	-	1.01	1.10
EHD4X48A**	*9MA*0602120A**	1.00	1.02	FEM4P42**A*	-	1.01	1.05
EHD4X48A**	*9MA*0801714A**	1.00	1.04	FEM4P42**A*	-	1.01	1.05
EHD4X48A**	*9MA*0802120A**	1.00	1.02	FEM4P48**A*	-	1.01	1.01
EHD4X48A**	*9MA*1002122A**	1.01	1.01	FEM4P48**A*	-	1.01	1.01
EHD4X48A**	*9MA*1202422A**	1.00	1.00	FEM4X42****	-	1.01	1.05
EHD4X48A**	*9MV*0601714A**	1.00	1.06	FEM4X48****	-	1.01	1.01
EHD4X48A**	*9MV*0801716A**	1.00	1.04	FS(M,U)4P42**A*	-	1.01	1.05
EHD4X48A**	*9MV*0802120A**	1.01	1.01	FS(M,U)4P42**A*	-	1.01	1.05
EHD4X48A**	*9MV*1002120A**	1.01	1.01	FS(M,U)4P48**A*	-	1.01	1.05
EHD4X48A**	*9MV*1202422A**	1.01	1.01	FS(M,U)4P48**A*	-	1.01	1.05
EHD4X48A**	*9MX*0601714A**	1.00	1.04	FS(M,U)4X42****	-	1.00	1.09
EHD4X48A**	*9MX*0801716A**	1.01	1.05	FS(M,U)4X48****	-	1.01	1.10
EHD4X48A**	*9MX*0802120A**	1.01	1.01	FVM4X36****	-	0.99	1.03
EHD4X48A**	*9MX*1002120A**	1.01	1.01	FVM4X48****	-	1.01	1.01
EHD4X48A**	*9MX*1202422A**	1.01	1.01	FVM4X60****	-	1.01	0.97
EHD4X48A**	MV12F19**B*	1.01	1.01	FXM4X48**A*	-	1.01	0.97

COOLING Multiplying Factors for other Indoor Combinations

Indoor Model	Furnace Model	CAPACITY (MBh)	Power (AMPS)	Indoor Model	Furnace Model	CAPACITY (MBh)	Power (AMPS)
(C,H,T)XH548							
EA*4X48*17A*	*8MV*0901716**	0.96	1.02	EHD4X60A**	*9MA*1002120A**	0.97	1.01
EA*4X48*17A*	-	0.96	1.06	EHD4X60A**	*9MPV100	0.98	1.02
EA*4X48*21A*	*8MV*1102120**	0.95	1.01	EHD4X60A**	*9MPV125	0.98	1.02
EA*4X48*21A*	*8MX*0902116**	0.96	1.02	EHD4X60A**	*9MV*1002116A**	0.98	1.04
EA*4X48*21A*	*8MX*1102120**	0.95	0.99	EHD4X60A**	*9MVX080	0.98	1.02
EA*4X48*21A*	*9MA*0602120A**	0.94	1.02	EHD4X60A**	*9MVX100	0.98	1.02
EA*4X48*21A*	*9MA*0802120A**	0.95	1.01	EHD4X60A**	*9MX*1002116A**	0.98	1.04
EA*4X48*21A*	*9MA*1002122A**	0.95	1.01	EHD4X60A**	OLV112A16A	0.98	1.06
EA*4X48*21A*	*9MV*0802120A**	0.95	1.01	EHD4X60A**	OLV112A16A	0.98	1.06
EA*4X48*21A*	*9MV*1002120A**	0.95	1.01	EHD4X60A**	OLV154F20A	1.00	1.04
EA*4X48*21A*	*9MX*0802120A**	0.95	1.01	EHD4X60A**	OLV154F20A	1.00	1.04

COOLING Multiplying Factors for other Indoor Combinations

Indoor Model	Furnace Model	CAPACITY (MBh)	Power (AMPS)	Indoor Model	Furnace Model	CAPACITY (MBh)	Power (AMPS)
EA*4X48*21A*	*9MX*1002120A**	0.95	1.01	EHD4X60A**	-	0.98	1.06
EA*4X48*21A*	*9MA*1002120A**	0.94	1.02	EMA4X48D**	-	0.94	1.02
EA*4X48*21A*	*9MV*1002116A**	0.95	1.04	EN(A,D)4X48*24**	*8MV*1352422**	0.96	1.00
EA*4X48*21A*	*9MX*1002116A**	0.95	1.04	EN(A,D)4X48*24**	*8MX*1352420**	0.96	1.00
EA*4X48*21A*	-	0.96	1.06	EN(A,D)4X48*24**	*9MA*1202422A**	0.95	0.99
EA*4X48*24A*	*8MV*1352422**	0.96	1.00	EN(A,D)4X48*24**	*9MV*1202422A**	0.96	1.00
EA*4X48*24A*	*8MX*1352420**	0.96	1.02	EN(A,D)4X48*24**	*9MX*1202422A**	0.96	1.01
EA*4X48*24A*	*9MA*1202422A**	0.95	1.00	EN(A,D)4X48*24**	*9MA*1002120A**	0.95	1.00
EA*4X48*24A*	*9MV*1202422A**	0.96	1.01	EN(A,D)4X48*24**	*9MPV100	0.96	1.04
EA*4X48*24A*	*9MX*1202422A**	0.96	1.01	EN(A,D)4X48*24**	*9MPV125	0.96	1.00
EA*4X48*24A*	-	0.95	1.03	EN(A,D)4X48*24**	*9MV*1002116A**	0.96	1.04
EA*4X48*24A*	*9MV*1002116A**	0.95	1.04	EN(A,D)4X48*24**	*9MVX080	0.96	1.04
EA*4X48*24A*	*9MX*1002116A**	0.95	1.03	EN(A,D)4X48*24**	*9MVX100	0.96	1.00
EA*4X48*24A*	-	0.96	1.06	EN(A,D)4X48*24**	*9MX*1002116A**	0.95	1.03
EA*4X60*21A*	*8MV*1102120**	0.97	1.01	EN(A,D)4X48*24**	OLV154F20A	0.97	1.05
EA*4X60*21A*	*8MX*0902116**	0.98	1.02	EN(A,D)4X48*24**	-	0.96	1.04
EA*4X60*21A*	*8MX*1102120**	0.98	1.00	EN(A,D)4X61*24**	*8MV*1102120**	0.98	1.00
EA*4X60*21A*	*9MA*0602120A**	0.96	1.02	EN(A,D)4X61*24**	*8MV*1352422**	0.99	0.99
EA*4X60*21A*	*9MA*0802120A**	0.96	1.00	EN(A,D)4X61*24**	*8MX*1352420**	0.99	0.99
EA*4X60*21A*	*9MA*1002122A**	0.97	0.99	EN(A,D)4X61*24**	*9MA*1202422A**	0.98	0.98
EA*4X60*21A*	*9MV*0801716A**	0.96	1.01	EN(A,D)4X61*24**	*9MV*1202422A**	0.98	0.98
EA*4X60*21A*	*9MV*0802120A**	0.97	1.01	EN(A,D)4X61*24**	*9MX*1202422A**	0.99	0.99
EA*4X60*21A*	*9MV*1002120A**	0.97	1.01	EN(A,D)4X61*24**	*9MA*1002120A**	0.98	1.02
EA*4X60*21A*	*9MX*0802120A**	0.98	1.02	EN(A,D)4X61*24**	*9MPV100	0.99	1.03
EA*4X60*21A*	*9MX*1002120A**	0.97	1.01	EN(A,D)4X61*24**	*9MPV125	0.99	1.03
EA*4X60*21A*	-	0.98	1.06	EN(A,D)4X61*24**	*9MV*1002116A**	0.98	1.02
EA*4X60*24A*	*8MV*1352422**	0.97	0.99	EN(A,D)4X61*24**	OLV112A16A	0.98	1.06
EA*4X60*24A*	*8MX*1352420**	0.98	1.02	EN(A,D)4X61*24**	OLV154F20A	1.01	1.05
EA*4X60*24A*	*9MA*1202422A**	0.97	1.01	EN(A,D)4X61*24**	-	0.99	1.08
EA*4X60*24A*	*9MV*1202422A**	0.97	1.01	EN(A,D,W)4X48*21**	*8MV*1102120**	0.96	1.00
EA*4X60*24A*	*9MX*1202422A**	0.98	1.02	EN(A,D,W)4X48*21**	*8MX*0902116**	0.96	1.00
EA*4X60*24A*	*9MA*1002120A**	0.96	1.01	EN(A,D,W)4X48*21**	*8MX*1102120**	0.96	1.00

COOLING Multiplying Factors for other Indoor Combinations

Indoor Model	Furnace Model	CAPACITY (MBh)	Power (AMPS)	Indoor Model	Furnace Model	CAPACITY (MBh)	Power (AMPS)
EA*4X60*24A*	*9MV*1002116A**	0.97	1.03	EN(A,D,W)4X48*21**	*9MA*0602120A**	0.94	1.02
EA*4X60*24A*	*9MX*1002116A**	0.97	1.03	EN(A,D,W)4X48*21**	*9MA*0802120A**	0.95	0.99
EA*4X60*24A*	-	0.98	1.06	EN(A,D,W)4X48*21**	*9MA*1002122A**	0.96	1.00
ED*4X48F**	*8MV*0901716**	0.96	1.04	EN(A,D,W)4X48*21**	*9MV*0801716A**	0.95	1.04
ED*4X48F**	-	0.96	1.04	EN(A,D,W)4X48*21**	*9MV*0802120A**	0.96	1.00
ED*4X48J**	*8MV*1102120**	0.95	1.03	EN(A,D,W)4X48*21**	*9MV*1002120A**	0.96	1.00
ED*4X48J**	*8MX*0902116**	0.96	1.00	EN(A,D,W)4X48*21**	*9MX*0801716A**	0.95	1.04
ED*4X48J**	*8MX*1102120**	0.95	0.99	EN(A,D,W)4X48*21**	*9MX*0802120A**	0.96	1.02
ED*4X48J**	MV16J22**B*	0.96	0.96	EN(A,D,W)4X48*21**	*9MX*1002120A**	0.96	1.00
ED*4X48J**	NOMV156E19*	0.95	1.03	EN(A,D,W)4X48*21**	NOMV156E19*	0.95	0.99
ED*4X48J**	*8MPV100	0.96	1.01	EN(A,D,W)4X48*21**	*9MA*1002120A**	0.95	1.00
ED*4X48J**	*8MPV125	0.96	1.00	EN(A,D,W)4X48*21**	*9MPV100	0.96	1.04
ED*4X48J**	*9MA*1002120A**	0.94	1.02	EN(A,D,W)4X48*21**	*9MV*1002116A**	0.96	1.04
ED*4X48J**	*9MPV100	0.96	1.04	EN(A,D,W)4X48*21**	*9MVX080	0.96	1.04
ED*4X48J**	*9MV*1002116A**	0.95	1.04	EN(A,D,W)4X48*21**	*9MX*1002116A**	0.95	1.03
ED*4X48J**	*9MVX080	0.96	1.04	EN(A,D,W)4X48*21**	-	0.96	1.04
ED*4X48J**	*9MX*1002116A**	0.95	1.04	EN(A,D,W)4X60*24**	*8MV*1352422**	0.97	0.97
ED*4X48J**	-	0.96	1.04	EN(A,D,W)4X60*24**	*8MX*1352420**	0.98	1.02
ED*4X48L**	*8MV*1352422**	0.96	1.00	EN(A,D,W)4X60*24**	*9MA*1202422A**	0.97	1.01
ED*4X48L**	*8MX*1352420**	0.96	1.00	EN(A,D,W)4X60*24**	*9MV*1202422A**	0.97	1.01
ED*4X48L**	*9MA*1202422A**	0.95	1.00	EN(A,D,W)4X60*24**	*9MX*1202422A**	0.98	1.02
ED*4X48L**	*9MV*1202422A**	0.96	1.01	EN(A,D,W)4X60*24**	*9MA*1002120A**	0.96	1.00
ED*4X48L**	*9MX*1202422A**	0.96	1.01	EN(A,D,W)4X60*24**	*9MPV100	0.98	1.02
ED*4X48L**	MV20L24**B*	0.96	0.96	EN(A,D,W)4X60*24**	*9MPV125	0.98	1.02
ED*4X48L**	*9MA*1002120A**	0.95	1.03	EN(A,D,W)4X60*24**	*9MV*1002116A**	0.97	1.03
ED*4X48L**	*9MPV125	0.96	1.04	EN(A,D,W)4X60*24**	*9MVX080	0.98	1.02
ED*4X48L**	*9MV*1002116A**	0.95	1.04	EN(A,D,W)4X60*24**	*9MVX100	0.98	1.02
ED*4X48L**	*9MX*1002116A**	0.96	1.04	EN(A,D,W)4X60*24**	*9MX*1002116A**	0.97	1.03
ED*4X48L**	OLV154F20A	0.97	1.05	EN(A,D,W)4X60*24**	OLV154F20A	0.99	1.03
ED*4X48L**	-	0.96	1.04	ENH4X48*21**	-	0.98	1.06
ED*4X48L**	*8MV*1102120**	0.97	1.01	ENH4X48*21**	*8MV*0901716**	0.95	0.99
ED*4X60J**	*8MX*0902116**	0.98	1.02	ENH4X48*21**	*8MV*1102120**	0.96	1.00
ED*4X60J**	*8MX*1102120**	0.98	0.98	ENH4X48*21**	*8MV*1352422**	0.96	1.00
ED*4X60J**	MV16J22**B*	0.98	0.98	ENH4X48*21**	*8MX*0902116**	0.96	1.00
ED*4X60J**	-	0.98	0.98	ENH4X48*21**	*8MX*1102120**	0.96	1.00

COOLING Multiplying Factors for other Indoor Combinations

Indoor Model	Furnace Model	Indoor Model	Furnace Model	CAPACITY (MBh)	Power (AMPS)	Indoor Model	Furnace Model	CAPACITY (MBh)	Power (AMPS)
ED*4X60J**	NOMV156E19*	ENH4X48*21**	*8MX*1352420**	0.97	1.01	ENH4X48*21**	*8MX*1352420**	0.96	1.00
ED*4X60J**	*8MPV100	ENH4X48*21**	*9MA*0602120A**	0.98	1.02	ENH4X48*21**	*9MA*0602120A**	0.94	1.02
ED*4X60J**	*8MPV125	ENH4X48*21**	*9MA*0802120A**	0.98	1.02	ENH4X48*21**	*9MA*0802120A**	0.95	0.99
ED*4X60J**	*9MA*1002120A**	ENH4X48*21**	*9MA*1002122A**	0.96	1.01	ENH4X48*21**	*9MA*1002122A**	0.96	1.00
ED*4X60J**	*9MPV100	ENH4X48*21**	*9MA*1202422A**	0.98	1.02	ENH4X48*21**	*9MA*1202422A**	0.95	0.99
ED*4X60J**	*9MV*1002116A**	ENH4X48*21**	*9MV*0801716A**	0.97	1.03	ENH4X48*21**	*9MV*0801716A**	0.95	1.04
ED*4X60J**	*9MVX080	ENH4X48*21**	*9MV*0802120A**	0.98	1.02	ENH4X48*21**	*9MV*0802120A**	0.96	1.00
ED*4X60J**	*9MX*1002116A**	ENH4X48*21**	*9MV*1002120A**	0.97	1.03	ENH4X48*21**	*9MV*1002120A**	0.96	1.00
ED*4X60L**	-	ENH4X48*21**	*9MV*1202422A**	0.98	1.06	ENH4X48*21**	*9MV*1202422A**	0.96	1.00
ED*4X60L**	*8MV*1352422**	ENH4X48*21**	*9MX*0801716A**	0.97	1.01	ENH4X48*21**	*9MX*0801716A**	0.95	1.04
ED*4X60L**	*8MX*1352420**	ENH4X48*21**	*9MX*0802120A**	0.98	1.02	ENH4X48*21**	*9MX*0802120A**	0.96	1.02
ED*4X60L**	*9MA*1202422A**	ENH4X48*21**	*9MX*1002120A**	0.97	1.01	ENH4X48*21**	*9MX*1002120A**	0.96	1.00
ED*4X60L**	*9MV*1202422A**	ENH4X48*21**	*9MX*1202422A**	0.97	1.01	ENH4X48*21**	*9MX*1202422A**	0.96	1.01
ED*4X60L**	*9MX*1202422A**	ENH4X48*21**	NOMV156E19*	0.98	1.02	ENH4X48*21**	NOMV156E19*	0.95	0.99
ED*4X60L**	MV20L24**B*	ENH4X48*21**	*9MA*1002120A**	0.98	0.98	ENH4X48*21**	*9MA*1002120A**	0.95	1.00
ED*4X60L**	*9MA*1002120A**	ENH4X48*21**	*9MPV100	0.96	1.01	ENH4X48*21**	*9MPV100	0.96	1.04
ED*4X60L**	*9MPV125	ENH4X48*21**	*9MV*1002116A**	0.98	1.02	ENH4X48*21**	*9MV*1002116A**	0.96	1.04
ED*4X60L**	*9MV*1002116A**	ENH4X48*21**	*9MVX080	0.97	1.03	ENH4X48*21**	*9MVX080	0.96	1.04
ED*4X60L**	*9MVX100	ENH4X48*21**	*9MX*1002116A**	0.98	1.02	ENH4X48*21**	*9MX*1002116A**	0.95	1.03
ED*4X60L**	*9MX*1002116A**	ENH4X48*21**	OLV154F20A	0.97	1.03	ENH4X48*21**	OLV154F20A	0.97	1.05
ED*4X60L**	OLV154F20A	ENH4X48*21**	-	0.99	1.03	ENH4X48*21**	-	0.96	1.04
ED*4X60L**	-	ENH4X60*24**	*8MV*0901716**	0.98	1.06	ENH4X60*24**	*8MV*0901716**	0.97	1.01
EHD4X48A**	*8MV*0901716**	ENH4X60*24**	*8MV*1102120**	0.96	1.00	ENH4X60*24**	*8MV*1102120**	0.97	1.01
EHD4X48A**	*8MV*1102120**	ENH4X60*24**	*8MV*1352422**	0.96	1.00	ENH4X60*24**	*8MV*1352422**	0.97	0.97
EHD4X48A**	*8MV*1352422**	ENH4X60*24**	*8MX*0902116**	0.97	1.01	ENH4X60*24**	*8MX*0902116**	0.98	1.02
EHD4X48A**	*8MX*0902116**	ENH4X60*24**	*8MX*1102120**	0.97	1.01	ENH4X60*24**	*8MX*1102120**	0.98	0.98
EHD4X48A**	*8MX*1102120**	ENH4X60*24**	*8MX*1352420**	0.97	1.01	ENH4X60*24**	*8MX*1352420**	0.98	1.02
EHD4X48A**	*8MX*1352420**	ENH4X60*24**	*9MA*1202422A**	0.96	1.00	ENH4X60*24**	*9MA*1202422A**	0.97	1.01
EHD4X48A**	*9MA*0602120A**	ENH4X60*24**	*9MV*0801716A**	0.95	1.03	ENH4X60*24**	*9MV*0801716A**	0.97	1.05
EHD4X48A**	*9MA*0802120A**	ENH4X60*24**	*9MV*1202422A**	0.96	1.00	ENH4X60*24**	*9MV*1202422A**	0.97	1.01
EHD4X48A**	*9MA*1002122A**	ENH4X60*24**	*9MA*1002122A**	0.96	1.00	ENH4X60*24**	*9MA*1002122A**	0.97	1.05
EHD4X48A**	*9MA*1202422A**	ENH4X60*24**	*9MX*0801716A**	0.96	1.00	ENH4X60*24**	*9MX*0801716A**	0.97	1.02
EHD4X48A**	*9MA*1202422A**	ENH4X60*24**	NOMV156E19*	0.96	1.02	ENH4X60*24**	NOMV156E19*	0.97	1.01
EHD4X48A**	*9MV*0802120A**	ENH4X60*24**	*9MA*1002120A**	0.96	1.00	ENH4X60*24**	*9MA*1002120A**	0.96	1.00
EHD4X48A**	*9MV*1002120A**	ENH4X60*24**	*9MPV100	0.96	1.00	ENH4X60*24**	*9MPV100	0.98	1.02

COOLING Multiplying Factors for other Indoor Combinations

Indoor Model	Furnace Model	CAPACITY (MBh)	Power (AMPS)	Indoor Model	Furnace Model	CAPACITY (MBh)	Power (AMPS)
EHD4X48A**	*9MV*1202422A**	0.96	1.00	ENH4X60*24**	*9MPV125	0.98	1.02
EHD4X48A**	*9MX*0802120A**	0.97	1.01	ENH4X60*24**	*9MV*1002116A**	0.97	1.03
EHD4X48A**	*9MX*1002120A**	0.96	1.00	ENH4X60*24**	*9MVX080	0.98	1.02
EHD4X48A**	*9MX*1202422A**	0.97	1.01	ENH4X60*24**	*9MVX100	0.98	1.02
EHD4X48A**	MV16J22**B*	0.96	0.96	ENH4X60*24**	*9MX*1002116A**	0.97	1.03
EHD4X48A**	MV20L24**B*	0.96	0.96	ENH4X60*24**	OLV112A16A	0.97	1.05
EHD4X48A**	NOMV156E19*	0.96	1.00	ENH4X60*24**	OLV154F20A	0.99	1.03
EHD4X48A**	*8MPV100	0.96	1.04	ENH4X60*24**	-	0.98	1.06
EHD4X48A**	*8MPV125	0.96	1.00	ENH4X61*24**	*8MV*0901716**	0.97	1.01
EHD4X48A**	*9MA*1002120A**	0.96	1.01	ENH4X61*24**	*8MV*1102120**	0.98	1.02
EHD4X48A**	*9MPV100	0.96	1.04	ENH4X61*24**	*8MV*1352422**	0.98	0.98
EHD4X48A**	*9MPV125	0.96	1.04	ENH4X61*24**	*8MX*0902116**	0.98	1.02
EHD4X48A**	*9MV*1002116A**	0.96	1.04	ENH4X61*24**	*8MX*1102120**	0.98	0.98
EHD4X48A**	*9MVX080	0.96	1.04	ENH4X61*24**	*8MX*1352420**	0.98	1.02
EHD4X48A**	*9MVX100	0.96	1.04	ENH4X61*24**	*9MA*1202422A**	0.97	1.01
EHD4X48A**	*9MX*1002116A**	0.96	1.04	ENH4X61*24**	*9MV*0801716A**	0.96	1.01
EHD4X48A**	OLV154F20A	0.98	1.06	ENH4X61*24**	*9MV*1202422A**	0.98	1.02
EHD4X48A**	OLV154F20A	0.98	1.06	ENH4X61*24**	*9MX*1202422A**	0.98	1.02
EHD4X48A**	-	0.96	1.04	ENH4X61*24**	NOMV156E19*	0.97	1.01
EHD4X60A**	*8MV*0901716**	0.98	1.02	ENH4X61*24**	*9MA*1002120A**	0.97	1.01
EHD4X60A**	*8MV*1102120**	0.98	1.02	ENH4X61*24**	*9MPV100	0.98	1.02
EHD4X60A**	*8MV*1352422**	0.98	0.98	ENH4X61*24**	*9MPV125	0.98	1.02
EHD4X60A**	*8MX*0902116**	0.98	1.02	ENH4X61*24**	*9MV*1002116A**	0.97	1.01
EHD4X60A**	*8MX*1102120**	0.98	0.98	ENH4X61*24**	*9MVX080	0.98	1.02
EHD4X60A**	*8MX*1352420**	0.98	1.02	ENH4X61*24**	*9MVX100	0.98	1.02
EHD4X60A**	*9MA*0602120A**	0.96	1.00	ENH4X61*24**	*9MX*1002116A**	0.97	1.03
EHD4X60A**	*9MA*0802120A**	0.97	0.99	ENH4X61*24**	OLV154F20A	1.00	1.04
EHD4X60A**	*9MA*1002122A**	0.98	1.00	ENH4X61*24**	-	0.99	1.08
EHD4X60A**	*9MA*1202422A**	0.97	1.01	FEM4P48**A*	-	0.97	1.05
EHD4X60A**	*9MA*1202422A**	0.97	0.99	FEM4P48**A*	-	0.97	1.05
EHD4X60A**	*9MV*0801716A**	0.97	1.05	FEM4P60**A*	-	0.99	1.03
EHD4X60A**	*9MV*0802120A**	0.98	1.00	FEM4P60**A*	-	0.99	1.03
EHD4X60A**	*9MV*1002120A**	0.98	1.00	FEM4X48****	-	0.99	1.03
EHD4X60A**	*9MV*1202422A**	0.98	1.02	FEM4X60****	-	1.00	1.00
EHD4X60A**	*9MX*0801716A**	0.97	1.05	FS(M,U)4P48**A*	-	0.97	1.01

COOLING Multiplying Factors for other Indoor Combinations

Indoor Model	Furnace Model	CAPACITY (MBh)	Power (AMPS)	Indoor Model	Furnace Model	CAPACITY (MBh)	Power (AMPS)
EHD4X60A**	*9MX*0802120A**	0.98	1.02	FS(M,U)4P48**A*	-	0.99	1.08
EHD4X60A**	*9MX*1002120A**	0.98	1.00	FS(M,U)4X48****	-	0.97	1.08
EHD4X60A**	*9MX*1202422A**	0.98	1.02	FS(M,U)4X60****	-	0.99	1.08
EHD4X60A**	MV16J22**B*	0.98	0.98	FS(M,U)4X60**A*	-	0.99	1.08
EHD4X60A**	MV20L24**B*	0.98	0.98	FVM4X48****	-	0.98	0.98
EHD4X60A**	NOMV156E19*	0.98	1.02	FVM4X60****	-	0.99	0.97
EHD4X60A**	*8MPV100	0.98	1.02	FXM4X60**A*	-	1.01	1.01

COOLING Multiplying Factors for other Indoor Combinations

Indoor Model	Furnace Model	CAPACITY (MBh)	Power (AMPS)	Indoor Model	Furnace Model	CAPACITY (MBh)	Power (AMPS)
(C,H,T)XH560							
*FXM4X60**A*	-	1.00	1.00	EHD4X60A**	MV16J22**B*	0.98	1.02
EA*4X60*21A*	*8MV*1102120**	0.97	1.06	EHD4X60A**	MV20L24**B*	0.98	0.98
EA*4X60*21A*	*8MX*1102120**	0.97	1.04	EHD4X60A**	*8MPV125	0.98	1.07
EA*4X60*21A*	*9MA*1002122A**	0.97	1.04	EHD4X60A**	-	0.97	1.06
EA*4X60*21A*	*9MV*1002120A**	0.97	1.06	EN(A,D)4X61*24**	*8MV*1352422**	0.99	1.03
EA*4X60*21A*	*9MX*0802120A**	0.96	1.05	EN(A,D)4X61*24**	*8MX*1352420**	0.99	1.03
EA*4X60*21A*	-	0.97	1.06	EN(A,D)4X61*24**	*9MA*1202422A**	0.98	1.05
EA*4X60*24A*	*8MV*1352422**	0.97	1.04	EN(A,D)4X61*24**	*9MV*1202422A**	0.98	1.05
EA*4X60*24A*	*8MX*1352420**	0.97	1.04	EN(A,D)4X61*24**	*9MX*1202422A**	0.98	1.05
EA*4X60*24A*	*9MA*1202422A**	0.97	1.04	EN(A,D)4X61*24**	-	0.99	1.08
EA*4X60*24A*	*9MV*1202422A**	0.96	1.02	EN(A,D,W)4X60*24**	*8MV*1352422**	0.97	1.01
EA*4X60*24A*	*9MX*1202422A**	0.97	1.04	EN(A,D,W)4X60*24**	*8MX*1352420**	0.97	1.01
EA*4X60*24A*	-	0.97	1.06	EN(A,D,W)4X60*24**	*9MA*1202422A**	0.97	1.04
ED*4X60J**	*8MV*1102120**	0.97	1.06	EN(A,D,W)4X60*24**	*9MV*1202422A**	0.96	1.03
ED*4X60J**	*8MX*1102120**	0.97	1.01	EN(A,D,W)4X60*24**	*9MX*1202422A**	0.97	1.04
ED*4X60J**	MV16J22**B*	0.98	1.02	EN(A,D,W)4X60*24**	-	0.97	1.06
ED*4X60J**	*8MPV125	0.98	1.07	ENH4X60*24**	*8MV*1102120**	0.97	1.06
ED*4X60J**	-	0.96	1.05	ENH4X60*24**	*8MV*1352422**	0.97	1.01
ED*4X60L**	*8MV*1352422**	0.97	1.01	ENH4X60*24**	*8MX*1102120**	0.97	1.01
ED*4X60L**	*8MX*1352420**	0.97	1.01	ENH4X60*24**	*8MX*1352420**	0.97	1.01
ED*4X60L**	*9MA*1202422A**	0.97	1.04	ENH4X60*24**	*9MA*1202422A**	0.97	1.04
ED*4X60L**	*9MV*1202422A**	0.96	1.03	ENH4X60*24**	*9MV*1202422A**	0.96	1.03
ED*4X60L**	*9MX*1202422A**	0.97	1.04	ENH4X60*24**	*9MX*1202422A**	0.97	1.04
ED*4X60L**	MV20L24**B*	0.98	1.02	ENH4X60*24**	-	0.97	1.06

COOLING Multiplying Factors for other Indoor Combinations

Indoor Model	Furnace Model	CAPACITY (MBh)	Power (AMPS)	Indoor Model	Furnace Model	CAPACITY (MBh)	Power (AMPS)
ED4X60L**	-	0.97	1.06	ENH4X61*24**	*8MV*1102120**	0.98	1.07
EHD4X60A**	*8MV*1102120**	0.98	1.07	ENH4X61*24**	*8MV*1352422**	0.98	1.02
EHD4X60A**	*8MV*1352422**	0.98	1.02	ENH4X61*24**	*8MX*1102120**	0.98	1.02
EHD4X60A**	*8MX*1102120**	0.98	1.02	ENH4X61*24**	*8MX*1352420**	0.97	1.01
EHD4X60A**	*8MX*1352420**	0.98	1.02	ENH4X61*24**	*9MA*1202422A**	0.97	1.04
EHD4X60A**	*9MA*0802120A**	0.97	1.04	ENH4X61*24**	*9MV*1202422A**	0.97	1.04
EHD4X60A**	*9MA*1002122A**	0.98	1.05	ENH4X61*24**	*9MX*1202422A**	0.97	1.04
EHD4X60A**	*9MA*1202422A**	0.97	1.04	ENH4X61*24**	-	0.98	1.07
EHD4X60A**	*9MV*1002120A**	0.98	1.05	FEM4P60**A*	-	0.97	1.06
EHD4X60A**	*9MV*1202422A**	0.97	1.04	FEM4P60**A*	-	0.98	1.07
EHD4X60A**	*9MX*0802120A**	0.97	1.04	FEM4X60****	-	0.99	1.03
EHD4X60A**	*9MX*1002120A**	0.98	1.07	FS(M,U)4X60****	-	0.98	1.07
EHD4X60A**	*9MX*1202422A**	0.97	1.04	FS(M,U)4X60**A*	-	0.98	1.07
				FVM4X60****	-	0.99	1.03

HEATING Multiplying Factors for other Indoor Combinations

Indoor Model	Furnace Model	CAPACITY (MBh)	Power (AMPS)	Indoor Model	Furnace Model	CAPACITY (MBh)	Power (AMPS)
*FXM4X18**A*	-	1.00	1.00	EN(A,D)4X18*14**	*8MV*0701412**	0.98	1.04
EA*4X18*14A*	*8MV*0701412**	0.98	1.07	EN(A,D)4X18*14**	*8MX*0451408**	1.00	1.04
EA*4X18*14A*	*8MX*0451408**	1.00	1.06	EN(A,D)4X18*14**	*9MV*0401410A**	1.01	1.08
EA*4X18*14A*	*9MV*0401410A**	1.00	1.10	EN(A,D)4X18*14**	*9MX*0401410A**	0.99	1.08
EA*4X18*14A*	*9MX*0401410A**	0.99	1.10	EN(A,D)4X18*14**	-	1.01	1.09
EA*4X18*14A*	-	1.01	1.12	EN(A,D)4X19*17**	*8MV*0901716**	1.00	1.03
EA*4X24*14A*	*8MV*0701412**	0.99	1.05	EN(A,D)4X19*17**	*9MA*0601714A**	1.00	1.03
EA*4X24*14A*	*8MX*0451408**	1.01	1.03	EN(A,D)4X19*17**	*9MA*0801714A**	0.99	1.03
EA*4X24*14A*	*9MV*0401410A**	1.01	1.06	EN(A,D)4X19*17**	*9MV*0401410A**	1.01	1.03
EA*4X24*14A*	*9MX*0401410A**	1.00	1.07	EN(A,D)4X19*17**	*9MV*0601714A**	1.01	1.00
EA*4X24*14A*	-	1.01	1.09	EN(A,D)4X19*17**	*9MV*0801716A**	1.01	0.98
EA*4X24*17A*	*8MV*0901716**	0.99	1.04	EN(A,D)4X19*17**	*9MX*0401410A**	1.01	1.04
EA*4X24*17A*	*9MA*0601714A**	0.99	1.04	EN(A,D)4X19*17**	NOMV106D12*	1.01	1.02
EA*4X24*17A*	*9MA*0801714A**	0.99	1.04	EN(A,D)4X19*17**	OLV098A12A	1.01	1.00
EA*4X24*17A*	*9MV*0401410A**	1.01	1.06	EN(A,D)4X19*17**	OMV098J12A	1.01	0.99
EA*4X24*17A*	*9MV*0601714A**	1.01	1.02	EN(A,D)4X19*17**	-	1.01	1.07

(C,H,T)XH518

HEATING Multiplying Factors for other Indoor Combinations

Indoor Model	Furnace Model	CAPACITY (MBh)	Power (AMPS)	Indoor Model	Furnace Model	CAPACITY (MBh)	Power (AMPS)
EA*4X24*17A*	*9MV*0801716A**	1.01	1.01	EN(A,D)4X24*14**	*8MV*0701412**	0.99	1.04
EA*4X24*17A*	*9MX*0401410A**	1.00	1.06	EN(A,D)4X24*14**	*8MX*0451408**	1.01	1.03
EA*4X24*17A*	-	1.01	1.09	EN(A,D)4X24*14**	*9MV*0401410A**	1.01	1.05
ED*4X18B**	*8MV*0701412**	0.98	1.07	EN(A,D)4X24*14**	*9MX*0401410A**	1.00	1.06
ED*4X18B**	*8MX*0451408**	1.00	1.06	EN(A,D)4X24*14**	-	1.01	1.08
ED*4X18B**	*9MV*0401410A**	1.00	1.10	EN(A,D)4X24*17**	*8MV*0901716**	0.99	1.03
ED*4X18B**	*9MX*0401410A**	0.99	1.10	EN(A,D)4X24*17**	*9MA*0601714A**	1.00	1.04
ED*4X18B**	MV08B15**B*	0.99	1.05	EN(A,D)4X24*17**	*9MA*0801714A**	0.99	1.04
ED*4X18B**	*8MPV050	1.01	1.04	EN(A,D)4X24*17**	*9MV*0401410A**	1.01	1.05
ED*4X18B**	-	1.01	1.12	EN(A,D)4X24*17**	*9MV*0601714A**	1.01	1.03
ED*4X24B**	*8MV*0701412**	0.99	1.05	EN(A,D)4X24*17**	*9MV*0801716A**	1.01	1.02
ED*4X24B**	*8MX*0451408**	1.01	1.03	EN(A,D)4X24*17**	*9MX*0401410A**	1.00	1.06
ED*4X24B**	*9MV*0401410A**	1.01	1.06	EN(A,D)4X24*17**	NOMV106D12*	1.00	1.03
ED*4X24B**	*9MX*0401410A**	1.00	1.07	EN(A,D)4X24*17**	*9MPV050	1.01	1.00
ED*4X24B**	MV08B15**B*	0.99	1.02	EN(A,D)4X24*17**	*9MVX040	1.01	1.00
ED*4X24B**	*8MPV050	1.01	1.01	EN(A,D)4X24*17**	OLV098A12A	1.01	1.02
ED*4X24B**	-	1.01	1.09	EN(A,D)4X24*17**	OMV098J12A	1.01	1.01
ED*4X24F**	*8MV*0901716**	0.99	1.04	EN(A,D)4X24*17**	-	1.01	1.08
ED*4X24F**	*9MA*0601714A**	0.99	1.04	ENH4X24*17**	*8MV*0701412**	0.99	1.04
ED*4X24F**	*9MA*0801714A**	0.99	1.04	ENH4X24*17**	*8MV*0901716**	0.99	1.03
ED*4X24F**	*9MV*0601714A**	1.01	1.02	ENH4X24*17**	*8MX*0451408**	1.01	1.03
ED*4X24F**	*9MV*0801716A**	1.01	1.01	ENH4X24*17**	*9MA*0601714A**	1.00	1.04
ED*4X24F**	NOMV106D12*	1.00	1.04	ENH4X24*17**	*9MA*0801714A**	0.99	1.04
ED*4X24F**	OLV098A12A	1.01	1.03	ENH4X24*17**	*9MV*0401410A**	1.01	1.05
ED*4X24F**	OMV098J12A	1.01	1.01	ENH4X24*17**	*9MV*0601714A**	1.01	1.03
EHD4X24A**	*9MA*0601714A**	1.00	1.04	ENH4X24*17**	*9MV*0801716A**	1.01	1.02
EHD4X24A**	*9MA*0602120A**	1.01	1.04	ENH4X24*17**	*9MX*0401410A**	1.00	1.06
EHD4X24A**	*9MA*0801714A**	0.99	1.04	ENH4X24*17**	NOMV106D12*	1.00	1.03
EHD4X24A**	*9MV*0401410A**	1.01	1.07	ENH4X24*17**	*9MPV050	1.01	1.00
EHD4X24A**	*9MV*0601714A**	1.00	1.04	ENH4X24*17**	*9MVX040	1.01	1.00
EHD4X24A**	*9MV*0801716A**	1.01	1.03	ENH4X24*17**	OLV098A12A	1.01	1.02
EHD4X24A**	*9MV*0802120A**	1.01	1.02	ENH4X24*17**	OMV098J12A	1.01	1.01
EHD4X24A**	*9MV*1002120A**	1.01	1.01	ENH4X24*17**	-	1.01	1.08
EHD4X24A**	*9MX*0401410A**	1.00	1.07	FEA4X18**A*	-	1.01	1.05
				FEA4X24**A*	-	1.01	1.02

HEATING Multiplying Factors for other Indoor Combinations						
Indoor Model	Furnace Model	CAPACITY (MBh)	Power (AMPS)	Indoor Model	Furnace Model	Power (AMPS)
EHD4X24A**	MV08B15**B*	0.99	1.01	FEM4P18**A*	-	1.04
EHD4X24A**	*8MPV050	1.01	1.01	FEM4P18**A*	-	1.04
EHD4X24A**	*9MPV050	1.01	1.00	FEM4P24**A*	-	1.04
EHD4X24A**	*9MPV075	1.01	1.01	FEM4P24**A*	-	1.04
EHD4X24A**	*9MVX040	1.01	1.00	FEM4X18****	-	1.04
EHD4X24A**	*9MVX060	1.01	1.00	FEM4X24****	-	1.03
EHD4X24A**	OLV098A12A	1.01	1.02	FS(M,U)4P18**A*	-	1.08
EHD4X24A**	OMV098J12A	1.01	1.01	FS(M,U)4P18**A*	-	1.08
EHD4X24A**	-	1.01	1.07	FS(M,U)4P24**A*	-	1.07
EHD4X24A**	*8MV*0701412**	0.99	1.04	FS(M,U)4P24**A*	-	1.07
EHD4X24A**	*8MV*0901716**	0.99	1.03	FS(M,U)4X18****	-	1.11
EHD4X24A**	*8MX*0451408**	1.01	1.03	FSA4X18**A*	-	1.11
EHD4X24A**	NOMV106D12*	1.01	1.04	FSA4X24**A*	-	1.10
EMA4X24D**	-	1.01	1.08	FVM4X24****	-	1.02
				FXM4X24**A*	-	1.01
HEATING Multiplying Factors for other Indoor Combinations						
Indoor Model	Furnace Model	CAPACITY (MBh)	Power (AMPS)	Indoor Model	Furnace Model	Power (AMPS)
(C,H,T)XH524						
*FXM4X24**A*	-	1.00	1.00	EHD4X30A**	*9MVX080	0.98
EA*4X24*14A*	*8MV*0701412**	1.00	1.05	EHD4X30A**	*9MVX100	0.98
EA*4X24*14A*	*8MX*0451408**	1.00	1.04	EHD4X30A**	OLV098A12A	1.02
EA*4X24*14A*	*9MV*0401410A**	1.00	1.08	EHD4X30A**	OMV098J12A	1.02
EA*4X24*14A*	*9MX*0401410A**	1.00	1.06	EHD4X30A**	-	1.05
EA*4X24*14A*	-	1.00	1.06	EHD4X30A**	OMV098J12	1.02
EA*4X24*17A*	*8MV*0901716**	1.00	1.04	EMA4X24D**	-	1.05
EA*4X24*17A*	*9MA*0601714A**	1.00	1.05	EN(A,D)4X24*14**	*8MV*0701412**	1.03
EA*4X24*17A*	*9MA*0801714A**	1.00	1.05	EN(A,D)4X24*14**	*8MX*0451408**	1.02
EA*4X24*17A*	*9MV*0401410A**	1.00	1.07	EN(A,D)4X24*14**	*9MV*0401410A**	1.06
EA*4X24*17A*	*9MV*0601714A**	1.00	1.05	EN(A,D)4X24*14**	*9MX*0401410A**	1.04
EA*4X24*17A*	*9MV*0801716A**	1.00	1.04	EN(A,D)4X24*14**	-	1.05
EA*4X24*17A*	*9MX*0401410A**	1.00	1.05	EN(A,D)4X24*17**	*8MV*0901716**	1.02
EA*4X24*17A*	*9MX*0601714A**	1.00	1.04	EN(A,D)4X24*17**	*9MA*0601714A**	1.03
EA*4X24*17A*	-	1.00	1.06	EN(A,D)4X24*17**	*9MA*0801714A**	1.04
EA*4X30*14A*	*8MV*0701412**	1.00	1.04	EN(A,D)4X24*17**	*9MV*0401410A**	1.06

HEATING Multiplying Factors for other Indoor Combinations

Indoor Model	Furnace Model	CAPACITY (MBh)	Power (AMPS)	Indoor Model	Furnace Model	CAPACITY (MBh)	Power (AMPS)
EA*4X30*14A*	*8MX*0451408**	1.00	1.02	EN(A,D)4X24*17**	*9MV*0601714A**	1.00	1.04
EA*4X30*14A*	*9MV*0401410A**	1.00	1.06	EN(A,D)4X24*17**	*9MV*0801716A**	1.00	1.03
EA*4X30*14A*	*9MX*0401410A**	1.00	1.05	EN(A,D)4X24*17**	*9MX*0401410A**	1.00	1.04
EA*4X30*14A*	-	1.00	1.06	EN(A,D)4X24*17**	*9MX*0601714A**	1.00	1.04
EA*4X30*17A*	*8MV*0901716**	1.00	1.03	EN(A,D)4X24*17**	NOMV106D12*	1.00	1.04
EA*4X30*17A*	*9MA*0601714A**	1.00	1.04	EN(A,D)4X24*17**	*9MPV050	1.00	1.03
EA*4X30*17A*	*9MA*0801714A**	1.00	1.05	EN(A,D)4X24*17**	*9MVX040	1.00	1.03
EA*4X30*17A*	*9MV*0401410A**	1.00	1.06	EN(A,D)4X24*17**	OLV098A12A	1.00	1.01
EA*4X30*17A*	*9MV*0601714A**	1.00	1.03	EN(A,D)4X24*17**	OMV098J12A	1.00	1.02
EA*4X30*17A*	*9MV*0801716A**	1.00	1.02	EN(A,D)4X24*17**	OMV098J12	1.00	1.02
EA*4X30*17A*	*9MX*0401410A**	1.00	1.04	EN(A,D)4X24*17**	-	1.00	1.05
EA*4X30*17A*	*9MX*0601714A**	1.00	1.03	EN(A,D)4X30*14**	*8MV*0701412**	1.00	1.04
EA*4X30*17A*	-	1.00	1.06	EN(A,D)4X30*14**	*8MX*0451408**	1.00	1.03
ED*4X24B**	*8MV*0701412**	1.00	1.05	EN(A,D)4X30*14**	*9MV*0401410A**	1.00	1.07
ED*4X24B**	*8MX*0451408**	1.00	1.04	EN(A,D)4X30*14**	*9MX*0401410A**	1.00	1.05
ED*4X24B**	*9MV*0401410A**	1.00	1.08	EN(A,D)4X30*14**	-	1.00	1.06
ED*4X24B**	*9MX*0401410A**	1.00	1.06	EN(A,D)4X30*17**	*8MV*0901716**	1.00	1.03
ED*4X24B**	MV08B15**B*	1.00	1.02	EN(A,D)4X30*17**	*9MA*0601714A**	1.00	1.04
ED*4X24B**	*8MPV050	1.00	1.03	EN(A,D)4X30*17**	*9MA*0801714A**	1.00	1.04
ED*4X24B**	-	1.00	1.06	EN(A,D)4X30*17**	*9MV*0401410A**	1.00	1.06
ED*4X24F**	*8MV*0901716**	1.00	1.04	EN(A,D)4X30*17**	*9MV*0601714A**	1.00	1.03
ED*4X24F**	*9MA*0601714A**	1.00	1.05	EN(A,D)4X30*17**	*9MV*0801716A**	1.00	1.02
ED*4X24F**	*9MA*0801714A**	1.00	1.05	EN(A,D)4X30*17**	*9MX*0401410A**	1.00	1.04
ED*4X24F**	*9MV*0601714A**	1.00	1.05	EN(A,D)4X30*17**	*9MX*0601714A**	1.00	1.03
ED*4X24F**	*9MV*0801716A**	1.00	1.04	EN(A,D)4X30*17**	NOMV106D12*	1.00	1.04
ED*4X24F**	*9MX*0601714A**	1.00	1.04	EN(A,D)4X30*17**	*9MPV050	1.00	1.02
ED*4X24F**	MV12F19**B*	1.00	1.02	EN(A,D)4X30*17**	*9MPV075	1.00	1.01
ED*4X24F**	NOMV106D12*	1.00	1.05	EN(A,D)4X30*17**	*9MVX040	1.00	1.02
ED*4X24F**	*8MPV075	1.00	1.00	EN(A,D)4X30*17**	*9MVX060	1.00	1.00
ED*4X24F**	*9MPV050	1.00	1.03	EN(A,D)4X30*17**	OLV098A12A	1.00	1.02
ED*4X24F**	*9MPV075	1.00	1.03	EN(A,D)4X30*17**	OMV098J12A	1.00	1.02
ED*4X24F**	*9MVX040	1.00	1.03	EN(A,D)4X30*17**	OMV098J12	1.00	1.02
ED*4X24F**	*9MVX060	1.00	1.02	EN(A,D)4X30*17**	-	1.00	1.06
ED*4X24F**	OLV098A12A	1.00	1.03	EN(A,D)4X31*17**	*8MV*0901716**	1.00	0.99
ED*4X24F**	OMV098J12A	1.00	1.03	EN(A,D)4X31*17**	*9MA*0601714A**	1.00	0.99

HEATING Multiplying Factors for other Indoor Combinations

Indoor Model	Furnace Model	Indoor Model	Furnace Model	CAPACITY (MBh)	Power (AMPS)	Indoor Model	Furnace Model	CAPACITY (MBh)	Power (AMPS)
ED*4X24F**	-	EN(A,D)4X31*17**	*9MA*0801714A**	1.00	1.06	EN(A,D)4X31*17**	*9MA*0801714A**	1.00	1.00
ED*4X24F**	OMV098J12	EN(A,D)4X31*17**	*9MV*0401410A**	1.00	1.03	EN(A,D)4X31*17**	*9MV*0401410A**	1.00	1.02
ED*4X30B**	*8MV*0701412**	EN(A,D)4X31*17**	*9MV*0601714A**	1.00	1.04	EN(A,D)4X31*17**	*9MV*0601714A**	1.00	0.99
ED*4X30B**	*8MX*0451408**	EN(A,D)4X31*17**	*9MV*0801716A**	1.00	1.02	EN(A,D)4X31*17**	*9MV*0801716A**	1.00	0.98
ED*4X30B**	*9MV*0401410A**	EN(A,D)4X31*17**	*9MX*0401410A**	1.00	1.06	EN(A,D)4X31*17**	*9MX*0401410A**	1.00	0.99
ED*4X30B**	*9MX*0401410A**	EN(A,D)4X31*17**	*9MX*0601714A**	1.00	1.05	EN(A,D)4X31*17**	*9MX*0601714A**	1.00	0.98
ED*4X30B**	MV08B15**B*	EN(A,D)4X31*17**	NOMV106D12*	1.00	1.01	EN(A,D)4X31*17**	NOMV106D12*	1.00	0.99
ED*4X30B**	*8MPV050	EN(A,D)4X31*17**	*9MPV050	1.00	1.02	EN(A,D)4X31*17**	*9MPV050	1.00	0.97
ED*4X30B**	-	EN(A,D)4X31*17**	*9MPV075	1.00	1.06	EN(A,D)4X31*17**	*9MPV075	1.00	0.96
ED*4X30F**	*8MV*0901716**	EN(A,D)4X31*17**	*9MVX040	1.00	1.03	EN(A,D)4X31*17**	*9MVX040	1.00	0.98
ED*4X30F**	*9MA*0601714A**	EN(A,D)4X31*17**	*9MVX060	1.00	1.04	EN(A,D)4X31*17**	*9MVX060	1.00	0.95
ED*4X30F**	*9MA*0801714A**	EN(A,D)4X31*17**	OLV098A12A	1.00	1.05	EN(A,D)4X31*17**	OLV098A12A	1.00	0.97
ED*4X30F**	*9MV*0601714A**	EN(A,D)4X31*17**	OMV098J12A	1.00	1.03	EN(A,D)4X31*17**	OMV098J12A	1.00	0.98
ED*4X30F**	*9MV*0801716A**	EN(A,D)4X31*17**	-	1.00	1.02	EN(A,D)4X31*17**	-	1.00	1.02
ED*4X30F**	*9MX*0601714A**	END4X31*17**	OMV098J12	1.00	1.03	END4X31*17**	OMV098J12	1.00	0.98
ED*4X30F**	MV12F19**B*	ENH4X24*17**	*8MV*0701412**	1.00	1.01	ENH4X24*17**	*8MV*0701412**	1.00	1.03
ED*4X30F**	NOMV106D12*	ENH4X24*17**	*8MV*0901716**	1.00	1.04	ENH4X24*17**	*8MV*0901716**	1.00	1.02
ED*4X30F**	*8MPV075	ENH4X24*17**	*8MV*1102120**	1.00	0.99	ENH4X24*17**	*8MV*1102120**	1.00	1.03
ED*4X30F**	*9MPV050	ENH4X24*17**	*8MV*1352422**	1.00	1.02	ENH4X24*17**	*8MV*1352422**	1.00	1.02
ED*4X30F**	*9MPV075	ENH4X24*17**	*8MX*0451408**	1.00	1.01	ENH4X24*17**	*8MX*0451408**	1.00	1.02
ED*4X30F**	*9MVX040	ENH4X24*17**	*9MA*0601714A**	1.00	1.02	ENH4X24*17**	*9MA*0601714A**	1.00	1.03
ED*4X30F**	*9MVX060	ENH4X24*17**	*9MA*0801714A**	1.00	1.00	ENH4X24*17**	*9MA*0801714A**	1.00	1.04
ED*4X30F**	OLV098A12A	ENH4X24*17**	*9MA*1202422A**	1.00	1.02	ENH4X24*17**	*9MA*1202422A**	1.00	1.02
ED*4X30F**	OMV098J12A	ENH4X24*17**	*9MV*0401410A**	1.00	1.02	ENH4X24*17**	*9MV*0401410A**	1.00	1.06
ED*4X30F**	-	ENH4X24*17**	*9MV*0601714A**	1.00	1.06	ENH4X24*17**	*9MV*0601714A**	1.00	1.04
ED*4X30F**	OMV098J12	ENH4X24*17**	*9MV*0801716A**	1.00	1.02	ENH4X24*17**	*9MV*0801716A**	1.00	1.03
EHD4X24A**	*9MA*0601714A**	ENH4X24*17**	*9MV*1202422A**	1.00	1.04	ENH4X24*17**	*9MV*1202422A**	1.00	1.03
EHD4X24A**	*9MA*060120A**	ENH4X24*17**	*9MX*0401410A**	1.00	1.03	ENH4X24*17**	*9MX*0401410A**	1.00	1.04
EHD4X24A**	*9MA*0801714A**	ENH4X24*17**	*9MX*0601714A**	1.00	1.04	ENH4X24*17**	*9MX*0601714A**	1.00	1.04
EHD4X24A**	*9MA*0802120A**	ENH4X24*17**	NOMV106D12*	1.00	1.01	ENH4X24*17**	NOMV106D12*	1.00	1.04
EHD4X24A**	*9MA*1002122A**	ENH4X24*17**	*9MA*1002120A**	1.00	1.00	ENH4X24*17**	*9MA*1002120A**	1.00	1.01
EHD4X24A**	*9MA*1202422A**	ENH4X24*17**	*9MPV050	1.00	1.02	ENH4X24*17**	*9MPV050	1.00	1.03
EHD4X24A**	*9MV*0401410A**	ENH4X24*17**	*9MVX040	1.00	1.07	ENH4X24*17**	*9MVX040	1.00	1.03
EHD4X24A**	*9MV*0601714A**	ENH4X24*17**	OLV098A12A	1.00	1.05	ENH4X24*17**	OLV098A12A	1.00	1.01
EHD4X24A**	*9MV*0801716A**	ENH4X24*17**	*9MV*0801716A**	1.00	1.04	ENH4X24*17**	*9MV*0801716A**	1.00	1.02

HEATING Multiplying Factors for other Indoor Combinations

Indoor Model	Furnace Model	CAPACITY (MBh)	Power (AMPS)	Indoor Model	Furnace Model	CAPACITY (MBh)	Power (AMPS)
EHD4X24A**	*9MV*0802120A**	1.00	1.06	ENH4X24*17**	OMV098J12	1.00	1.02
EHD4X24A**	*9MV*1002120A**	1.00	1.05	ENH4X24*17**	-	1.00	1.05
EHD4X24A**	*9MV*1202422A**	1.00	1.05	ENH4X30*17**	*8MV*0701412**	1.00	1.04
EHD4X24A**	*9MX*0401410A**	1.00	1.05	ENH4X30*17**	*8MV*0901716**	1.00	1.03
EHD4X24A**	*9MX*0601714A**	1.00	1.05	ENH4X30*17**	*8MV*1102120**	1.00	1.03
EHD4X24A**	MV08B15**B*	1.00	1.00	ENH4X30*17**	*8MV*1352422**	1.00	1.03
EHD4X24A**	MV12F19**B*	1.00	1.00	ENH4X30*17**	*8MX*0451408**	1.00	1.02
EHD4X24A**	*8MPV050	1.00	1.02	ENH4X30*17**	*9MA*0601714A**	1.00	1.04
EHD4X24A**	*8MPV075	1.00	1.01	ENH4X30*17**	*9MA*0801714A**	1.00	1.04
EHD4X24A**	*8MPV100	1.00	0.98	ENH4X30*17**	*9MA*1202422A**	1.00	1.02
EHD4X24A**	*8MPV125	1.00	0.98	ENH4X30*17**	*9MV*0401410A**	1.00	1.06
EHD4X24A**	*9MA*1002120A**	1.00	1.01	ENH4X30*17**	*9MV*0601714A**	1.00	1.03
EHD4X24A**	*9MPV050	1.00	1.04	ENH4X30*17**	*9MV*0801716A**	1.00	1.02
EHD4X24A**	*9MPV075	1.00	1.04	ENH4X30*17**	*9MV*1202422A**	1.00	1.01
EHD4X24A**	*9MPV100	1.00	1.01	ENH4X30*17**	*9MX*0401410A**	1.00	1.04
EHD4X24A**	*9MPV125	1.00	0.99	ENH4X30*17**	*9MX*0601714A**	1.00	1.03
EHD4X24A**	*9MVX040	1.00	1.03	ENH4X30*17**	NOMV106D12*	1.00	1.04
EHD4X24A**	*9MVX060	1.00	1.02	ENH4X30*17**	*9MA*1002120A**	1.00	1.02
EHD4X24A**	*9MVX080	1.00	0.99	ENH4X30*17**	*9MPV050	1.00	1.02
EHD4X24A**	*9MVX100	1.00	0.99	ENH4X30*17**	*9MPV075	1.00	1.01
EHD4X24A**	OLV098A12A	1.00	1.02	ENH4X30*17**	*9MV*1002116A**	1.00	1.03
EHD4X24A**	OMV098J12A	1.00	1.02	ENH4X30*17**	*9MVX040	1.00	1.02
EHD4X24A**	-	1.00	1.04	ENH4X30*17**	*9MVX060	1.00	1.00
EHD4X24A**	OMV098J12	1.00	1.02	ENH4X30*17**	OLV098A12A	1.00	1.02
EHD4X24A**	*8MV*0701412**	1.00	1.04	ENH4X30*17**	OMV098J12A	1.00	1.02
EHD4X24A**	*8MV*0901716**	1.00	1.03	ENH4X30*17**	OMV098J12	1.00	1.02
EHD4X24A**	*8MV*1102120**	1.00	1.03	ENH4X30*17**	-	1.00	1.06
EHD4X24A**	*8MV*1352422**	1.00	1.03	ENH4X31*17**	*9MA*0601714A**	1.00	0.99
EHD4X24A**	*8MX*0451408**	1.00	1.03	ENH4X31*17**	*9MA*0801714A**	1.00	1.00
EHD4X24A**	NOMV106D12*	1.00	1.04	ENH4X31*17**	*9MA*1202422A**	1.00	0.98
EHD4X30A**	*8MV*0701412**	1.00	1.04	ENH4X31*17**	*9MV*0401410A**	1.00	1.02
EHD4X30A**	*8MV*0901716**	1.00	1.03	ENH4X31*17**	*9MV*0601714A**	1.00	0.99
EHD4X30A**	*8MV*1102120**	1.00	1.03	ENH4X31*17**	*9MV*0801716A**	1.00	0.97
EHD4X30A**	*8MV*1352422**	1.00	1.03	ENH4X31*17**	*9MV*1202422A**	1.00	0.95
EHD4X30A**	*8MX*0451408**	1.00	1.02	ENH4X31*17**	*9MX*0401410A**	1.00	0.99

HEATING Multiplying Factors for other Indoor Combinations						
Indoor Model	Furnace Model	CAPACITY (MBh)	Power (AMPS)	Indoor Model	Furnace Model	Power (AMPS)
EHD4X30A**	*9MA*0601714A**	1.00	1.03	ENH4X31*17**	*9MX*0601714A**	0.98
EHD4X30A**	*9MA*0602120A**	1.00	1.02	ENH4X31*17**	NOMV106D12*	0.99
EHD4X30A**	*9MA*0801714A**	1.00	1.03	ENH4X31*17**	*9MA*1002120A**	0.97
EHD4X30A**	*9MA*0802120A**	1.00	0.99	ENH4X31*17**	*9MPV050	0.97
EHD4X30A**	*9MA*1202422A**	1.00	1.01	ENH4X31*17**	*9MPV075	0.96
EHD4X30A**	*9MV*0401410A**	1.00	1.05	ENH4X31*17**	*9MV*1002116A**	0.98
EHD4X30A**	*9MV*0601714A**	1.00	1.03	ENH4X31*17**	*9MVX040	0.97
EHD4X30A**	*9MV*0801716A**	1.00	1.02	ENH4X31*17**	*9MVX060	0.95
EHD4X30A**	*9MV*0802120A**	1.00	1.01	ENH4X31*17**	OLV098A12A	0.97
EHD4X30A**	*9MV*1002120A**	1.00	1.00	ENH4X31*17**	OMV098J12A	0.98
EHD4X30A**	*9MV*1202422A**	1.00	1.01	ENH4X31*17**	OMV098J12	0.98
EHD4X30A**	*9MX*0401410A**	1.00	1.03	FEA4X24**A*	-	1.03
EHD4X30A**	*9MX*0601714A**	1.00	1.02	FEA4X30**A*	-	1.03
EHD4X30A**	MV08B15**B*	1.00	1.01	FEM4P24**A*	-	1.05
EHD4X30A**	MV12F19**B*	1.00	1.01	FEM4P24**A*	-	1.05
EHD4X30A**	NOMV106D12*	1.00	1.04	FEM4P30**A*	-	1.00
EHD4X30A**	*8MPV050	1.00	1.01	FEM4P30**A*	-	1.01
EHD4X30A**	*8MPV075	1.00	0.99	FEM4X24****	-	1.03
EHD4X30A**	*8MPV100	1.00	0.97	FEM4X30****	-	1.00
EHD4X30A**	*8MPV125	1.00	0.97	FS(M,U)4P24**A*	-	1.04
EHD4X30A**	*9MA*1002120A**	1.00	1.00	FS(M,U)4P24**A*	-	1.04
EHD4X30A**	*9MPV050	1.00	1.03	FS(M,U)4P30**A*	-	1.03
EHD4X30A**	*9MPV075	1.00	1.02	FS(M,U)4P30**A*	-	1.03
EHD4X30A**	*9MPV100	1.00	0.99	FS(M,U)4X24****	-	1.09
EHD4X30A**	*9MPV125	1.00	0.98	FS(M,U)4X30****	-	1.06
EHD4X30A**	*9MV*1002116A**	1.00	1.03	FSA4X24**A*	-	1.09
EHD4X30A**	*9MVX040	1.00	1.02	FSA4X30**A*	-	1.08
EHD4X30A**	*9MVX060	1.00	1.01	FVM4X24****	-	1.01
				FVM4X36****	-	1.03
				FXM4X30**A*	-	1.02
HEATING Multiplying Factors for other Indoor Combinations						
Indoor Model	Furnace Model	CAPACITY (MBh)	Power (AMPS)	Indoor Model	Furnace Model	Power (AMPS)
*FXM4X30**A*	-	1.00	1.00	EN(A,D)4X30*14**	-	1.09

(C,H,T)XH530

HEATING Multiplying Factors for other Indoor Combinations

Indoor Model	Furnace Model	CAPACITY (MBh)	Power (AMPS)	Indoor Model	Furnace Model	CAPACITY (MBh)	Power (AMPS)
EA*4X30*14A*	*8MV*0701412**	0.99	1.04	EN(A,D)4X30*17**	*8MV*0901716**	0.98	1.02
EA*4X30*14A*	-	1.02	1.09	EN(A,D)4X30*17**	*8MX*0701716**	0.99	1.03
EA*4X30*17A*	*8MV*0901716**	0.98	1.02	EN(A,D)4X30*17**	*9MA*0601714A**	0.99	1.05
EA*4X30*17A*	*8MX*0701716**	0.99	1.03	EN(A,D)4X30*17**	*9MA*0801714A**	0.99	1.03
EA*4X30*17A*	*9MA*0601714A**	0.99	1.04	EN(A,D)4X30*17**	*9MV*0601714A**	0.99	1.04
EA*4X30*17A*	*9MA*0801714A**	0.99	1.03	EN(A,D)4X30*17**	*9MV*0801716A**	0.99	1.03
EA*4X30*17A*	*9MV*0601714A**	0.99	1.04	EN(A,D)4X30*17**	*9MX*0601714A**	0.99	1.03
EA*4X30*17A*	*9MV*0801716A**	0.99	1.03	EN(A,D)4X30*17**	*9MX*0801716A**	1.00	1.03
EA*4X30*17A*	*9MX*0601714A**	0.99	1.03	EN(A,D)4X30*17**	NOMV106D12*	0.98	1.04
EA*4X30*17A*	*9MX*0801716A**	1.00	1.03	EN(A,D)4X30*17**	*9MPV050	1.00	1.06
EA*4X30*17A*	-	1.02	1.09	EN(A,D)4X30*17**	*9MPV075	1.00	1.05
EA*4X36*14A*	*8MV*0701412**	0.99	1.03	EN(A,D)4X30*17**	*9MVX040	1.00	1.06
EA*4X36*14A*	-	1.02	1.09	EN(A,D)4X30*17**	*9MVX060	1.00	1.04
EA*4X36*17A*	*8MV*0901716**	0.98	1.01	EN(A,D)4X30*17**	OLV098A12A	0.99	1.04
EA*4X36*17A*	*8MX*0701716**	0.99	1.02	EN(A,D)4X30*17**	OMV098J12A	0.99	1.05
EA*4X36*17A*	*9MA*0601714A**	0.99	1.04	EN(A,D)4X30*17**	OMV112K14A	0.99	1.02
EA*4X36*17A*	*9MA*0801714A**	0.99	1.03	EN(A,D)4X30*17**	-	1.02	1.09
EA*4X36*17A*	*9MV*0601714A**	0.99	1.03	EN(A,D)4X31*17**	*8MV*0901716**	0.99	0.99
EA*4X36*17A*	*9MV*0801716A**	0.99	1.02	EN(A,D)4X31*17**	*8MX*0701716**	1.01	1.00
EA*4X36*17A*	*9MX*0601714A**	0.99	1.03	EN(A,D)4X31*17**	*9MA*0601714A**	1.00	1.01
EA*4X36*17A*	*9MX*0801716A**	1.00	1.02	EN(A,D)4X31*17**	*9MA*0801714A**	1.00	1.00
EA*4X36*21A*	*8MV*1102120**	0.99	1.01	EN(A,D)4X31*17**	*9MV*0601714A**	1.00	1.01
EA*4X36*21A*	*8MX*0902116**	0.99	1.00	EN(A,D)4X31*17**	*9MV*0801716A**	1.00	1.00
EA*4X36*21A*	*9MA*0601714A**	0.99	1.03	EN(A,D)4X31*17**	*9MX*0601714A**	1.01	1.00
EA*4X36*21A*	*9MA*0602120A**	0.99	1.02	EN(A,D)4X31*17**	*9MX*0801716A**	1.01	0.99
EA*4X36*21A*	*9MA*0801714A**	0.99	1.02	EN(A,D)4X31*17**	NOMV106D12*	0.99	1.00
EA*4X36*21A*	*9MA*0802120A**	0.99	1.01	EN(A,D)4X31*17**	*9MPV050	1.01	1.02
EA*4X36*21A*	*9MV*0601714A**	0.99	1.03	EN(A,D)4X31*17**	*9MPV075	1.01	1.02
EA*4X36*21A*	*9MV*0801716A**	0.99	1.02	EN(A,D)4X31*17**	*9MVX040	1.01	1.02
EA*4X36*21A*	*9MV*0802120A**	0.99	1.00	EN(A,D)4X31*17**	*9MVX060	1.01	1.01
EA*4X36*21A*	*9MV*1002120A**	0.99	1.01	EN(A,D)4X31*17**	OLV098A12A	1.00	1.01
EA*4X36*21A*	*9MX*0601714A**	1.00	1.03	EN(A,D)4X31*17**	OMV098J12A	1.01	1.01
EA*4X36*21A*	*9MX*0801716A**	1.00	1.02	EN(A,D)4X31*17**	OMV112K14A	1.00	0.99
EA*4X36*21A*	*9MA*1002120A**	0.99	1.01	EN(A,D)4X36*21**	*8MV*1102120**	0.99	1.02

HEATING Multiplying Factors for other Indoor Combinations

Indoor Model	Furnace Model	Capacity (MBh)	Power (AMPS)	Indoor Model	Furnace Model	Capacity (MBh)	Power (AMPS)
EA*4X36*21A*	*9MV*1002116A**	0.99	1.02	EN(A,D)4X36*21**	*8MX*0902116**	0.99	1.02
EA*4X36*21A*	-	1.02	1.09	EN(A,D)4X36*21**	*9MA*0601714A**	0.99	1.05
ED*4X30B**	*8MV*0701412**	0.99	1.04	EN(A,D)4X36*21**	*9MA*0602120A**	0.99	1.03
ED*4X30B**	MV08B15**B*	0.99	1.01	EN(A,D)4X36*21**	*9MA*0801714A**	0.99	1.03
ED*4X30B**	*8MPV050	1.01	1.07	EN(A,D)4X36*21**	*9MA*0802120A**	0.99	1.02
ED*4X30B**	-	1.02	1.09	EN(A,D)4X36*21**	*9MV*0601714A**	0.99	1.04
ED*4X30F**	*8MV*0901716**	0.98	1.02	EN(A,D)4X36*21**	*9MV*0801716A**	0.99	1.03
ED*4X30F**	*8MX*0701716**	0.99	1.03	EN(A,D)4X36*21**	*9MV*0802120A**	0.99	1.02
ED*4X30F**	*9MA*0601714A**	0.99	1.04	EN(A,D)4X36*21**	*9MV*1002120A**	0.98	1.03
ED*4X30F**	*9MA*0801714A**	0.99	1.03	EN(A,D)4X36*21**	*9MX*0601714A**	0.99	1.03
ED*4X30F**	*9MV*0601714A**	0.99	1.04	EN(A,D)4X36*21**	*9MX*0801716A**	1.00	1.03
ED*4X30F**	*9MV*0801716A**	0.99	1.03	EN(A,D)4X36*21**	*9MA*1002120A**	0.99	1.02
ED*4X30F**	*9MX*0601714A**	0.99	1.03	EN(A,D)4X36*21**	*9MPV050	1.00	1.06
ED*4X30F**	*9MX*0801716A**	1.00	1.03	EN(A,D)4X36*21**	*9MPV075	1.00	1.05
ED*4X30F**	MV12F19**B*	0.98	0.99	EN(A,D)4X36*21**	*9MPV100	0.99	1.02
ED*4X30F**	NOMV106D12*	0.98	1.04	EN(A,D)4X36*21**	*9MV*1002116A**	0.99	1.03
ED*4X30F**	*8MPV075	1.00	1.03	EN(A,D)4X36*21**	*9MVX040	1.00	1.05
ED*4X30F**	*9MPV050	1.00	1.06	EN(A,D)4X36*21**	*9MVX060	1.00	1.04
ED*4X30F**	*9MPV075	1.00	1.05	EN(A,D)4X36*21**	*9MVX080	1.00	1.02
ED*4X30F**	*9MVX040	1.00	1.06	EN(A,D)4X36*21**	OLV098A12A	0.99	1.04
ED*4X30F**	*9MVX060	1.00	1.04	EN(A,D)4X36*21**	OLV112A16A	0.99	1.02
ED*4X30F**	OLV098A12A	0.99	1.03	EN(A,D)4X36*21**	OMV098J12A	0.99	1.04
ED*4X30F**	OLV112A16A	0.99	1.02	EN(A,D)4X36*21**	OMV112K14A	0.99	1.02
ED*4X30F**	OMV098J12A	0.99	1.05	EN(A,D)4X36*21**	-	1.02	1.09
ED*4X30F**	OMV112K14A	0.99	1.02	EN(A,D)4X37*17**	*8MV*0901716**	0.99	0.96
ED*4X36B**	*8MV*0701412**	0.99	1.09	EN(A,D)4X37*17**	*8MX*0701716**	1.01	0.97
ED*4X36B**	MV08B15**B*	0.99	1.01	EN(A,D)4X37*17**	*9MA*0601714A**	1.00	0.99
ED*4X36B**	*8MPV050	1.01	1.07	EN(A,D)4X37*17**	*9MA*0801714A**	1.01	0.98
ED*4X36B**	-	1.02	1.09	EN(A,D)4X37*17**	*9MV*0601714A**	1.01	0.98
ED*4X36F**	*8MV*0901716**	0.98	1.01	EN(A,D)4X37*17**	*9MV*0801716A**	1.01	0.97
ED*4X36F**	*8MX*0701716**	0.99	1.02	EN(A,D)4X37*17**	*9MX*0601714A**	1.01	0.97
ED*4X36F**	*9MA*0601714A**	0.99	1.04	EN(A,D)4X37*17**	*9MX*0801716A**	0.99	0.96
ED*4X36F**	*9MA*0801714A**	0.99	1.03	EN(A,D)4X37*17**	NOMV106D12*	1.03	1.03
ED*4X36F**	*9MV*0601714A**	0.99	1.03	EN(A,D,W)4X36*17**	*8MV*0901716**	0.98	1.02

HEATING Multiplying Factors for other Indoor Combinations

Indoor Model	Furnace Model	Indoor Model	Furnace Model	Power (AMPS)	CAPACITY (MBh)	Power (AMPS)	CAPACITY (MBh)
ED*4X36F**	*9MV*0801716A**	EN(A,D,W)4X36*17**	*8MX*0701716**	1.02	0.99	1.02	0.99
ED*4X36F**	*9MX*0601714A**	EN(A,D,W)4X36*17**	*9MA*0601714A**	1.03	0.99	1.03	0.99
ED*4X36F**	*9MX*0801716A**	EN(A,D,W)4X36*17**	*9MA*0801714A**	1.02	1.00	1.02	0.99
ED*4X36F**	MV12F19**B*	EN(A,D,W)4X36*17**	*9MV*0601714A**	0.99	0.98	0.99	0.99
ED*4X36F**	NOMV106D12*	EN(A,D,W)4X36*17**	*9MV*0801716A**	1.03	0.98	1.03	0.99
ED*4X36F**	*8MPV075	EN(A,D,W)4X36*17**	*9MX*0601714A**	1.02	1.00	1.02	0.99
ED*4X36F**	*9MPV050	EN(A,D,W)4X36*17**	*9MX*0801716A**	1.05	1.00	1.05	1.00
ED*4X36F**	*9MPV075	EN(A,D,W)4X36*17**	NOMV106D12*	1.04	1.00	1.04	0.98
ED*4X36F**	*9MVX040	EN(A,D,W)4X36*17**	*9MPV050	1.05	1.00	1.05	1.00
ED*4X36F**	*9MVX060	EN(A,D,W)4X36*17**	*9MPV075	1.03	1.00	1.03	1.00
ED*4X36F**	OLV098A12A	EN(A,D,W)4X36*17**	*9MVX040	1.03	0.99	1.03	1.00
ED*4X36F**	OLV112A16A	EN(A,D,W)4X36*17**	*9MVX060	1.02	0.99	1.02	1.00
ED*4X36F**	OMV098J12A	EN(A,D,W)4X36*17**	OLV098A12A	1.03	0.99	1.03	0.99
ED*4X36F**	OMV112K14A	EN(A,D,W)4X36*17**	OMV098J12A	1.01	0.99	1.01	0.99
ED*4X36F**	-	EN(A,D,W)4X36*17**	OMV112K14A	1.09	1.02	1.09	0.99
ED*4X36J**	*8MV*1102120**	EN(A,D,W)4X36*17**	-	1.01	0.99	1.01	1.02
ED*4X36J**	*8MX*0902116**	ENH4X30*17**	*8MV*0701412**	1.00	0.99	1.00	0.99
ED*4X36J**	*8MPV100	ENH4X30*17**	*8MV*0901716**	1.00	1.00	1.00	0.98
ED*4X36J**	*8MPV125	ENH4X30*17**	*8MV*1102120**	0.98	0.99	0.98	0.99
ED*4X36J**	*9MA*1002120A**	ENH4X30*17**	*8MV*1352422**	1.01	0.99	1.01	0.99
ED*4X36J**	*9MPV100	ENH4X30*17**	*8MX*0701716**	1.01	1.00	1.01	0.99
ED*4X36J**	*9MV*1002116A**	ENH4X30*17**	*8MX*0902116**	1.02	0.99	1.02	1.02
ED*4X36J**	*9MVX080	ENH4X30*17**	*9MA*0601714A**	1.00	1.00	1.00	1.05
ED*4X36J**	OLV112A16A	ENH4X30*17**	*9MA*0801714A**	1.01	0.99	1.01	1.03
ED*4X36J**	-	ENH4X30*17**	*9MA*1202422A**	1.09	1.02	1.09	1.02
EHD4X30A**	*8MV*0701412**	ENH4X30*17**	*9MV*0601714A**	1.03	0.99	1.03	1.04
EHD4X30A**	*8MV*0901716**	ENH4X30*17**	*9MV*0801716A**	1.02	0.99	1.02	1.03
EHD4X30A**	*8MV*1102120**	ENH4X30*17**	*9MV*1202422A**	1.02	0.99	1.02	1.02
EHD4X30A**	*8MV*1352422**	ENH4X30*17**	*9MX*0601714A**	1.02	0.99	1.02	1.03
EHD4X30A**	*8MX*0701716**	ENH4X30*17**	*9MX*0801716A**	1.03	0.99	1.03	1.03
EHD4X30A**	*8MX*0902116**	ENH4X30*17**	NOMV106D12*	1.03	0.99	1.03	1.04
EHD4X30A**	*9MA*0601714A**	ENH4X30*17**	*9MA*1002120A**	1.04	1.00	1.04	1.02
EHD4X30A**	*9MA*0602120A**	ENH4X30*17**	*9MPV050	1.03	1.00	1.03	1.06
EHD4X30A**	*9MA*0801714A**	ENH4X30*17**	*9MPV075	1.03	1.00	1.03	1.05
EHD4X30A**	*9MA*0802120A**	ENH4X30*17**	*9MV*1002116A**	1.01	0.99	1.01	1.03

HEATING Multiplying Factors for other Indoor Combinations

Indoor Model	Furnace Model	CAPACITY (MBh)	Power (AMPS)	Indoor Model	Furnace Model	CAPACITY (MBh)	Power (AMPS)
EHD4X30A**	*9MA*1202422A**	0.99	1.01	ENH4X30*17**	*9MVX040	1.00	1.06
EHD4X30A**	*9MV*0601714A**	0.99	1.03	ENH4X30*17**	*9MVX060	1.00	1.04
EHD4X30A**	*9MV*0801716A**	0.99	1.02	ENH4X30*17**	OLV098A12A	0.99	1.04
EHD4X30A**	*9MV*0802120A**	0.99	1.01	ENH4X30*17**	OLV112A16A	0.99	1.02
EHD4X30A**	*9MV*1002120A**	0.98	1.02	ENH4X30*17**	OMV098J12A	0.99	1.05
EHD4X30A**	*9MV*1202422A**	0.99	1.01	ENH4X30*17**	OMV112K14A	0.99	1.02
EHD4X30A**	*9MX*0601714A**	1.00	1.03	ENH4X30*17**	-	1.02	1.09
EHD4X30A**	*9MX*0801716A**	1.01	1.02	ENH4X31*17**	*9MA*0601714A**	1.00	1.01
EHD4X30A**	MV08B15**B*	0.99	1.00	ENH4X31*17**	*9MA*0801714A**	1.00	1.00
EHD4X30A**	MV12F19**B*	0.98	0.99	ENH4X31*17**	*9MA*1202422A**	1.00	0.99
EHD4X30A**	NOMV106D12*	0.98	1.04	ENH4X31*17**	*9MV*0601714A**	1.00	1.01
EHD4X30A**	*8MPV050	1.01	1.07	ENH4X31*17**	*9MV*0801716A**	1.00	1.00
EHD4X30A**	*8MPV075	1.00	1.04	ENH4X31*17**	*9MV*1202422A**	1.00	0.98
EHD4X30A**	*8MPV100	0.99	1.02	ENH4X31*17**	*9MX*0601714A**	1.01	1.00
EHD4X30A**	*8MPV125	0.99	1.01	ENH4X31*17**	*9MX*0801716A**	1.01	0.99
EHD4X30A**	*9MA*1002120A**	1.00	1.02	ENH4X31*17**	NOMV106D12*	0.99	1.00
EHD4X30A**	*9MPV050	1.00	1.06	ENH4X31*17**	*9MA*1002120A**	1.00	0.99
EHD4X30A**	*9MPV075	1.00	1.06	ENH4X31*17**	*9MPV050	1.01	1.02
EHD4X30A**	*9MPV100	0.99	1.03	ENH4X31*17**	*9MPV075	1.01	1.02
EHD4X30A**	*9MPV125	0.99	1.02	ENH4X31*17**	*9MV*1002116A**	1.00	1.00
EHD4X30A**	*9MV*1002116A**	0.99	1.02	ENH4X31*17**	*9MVX040	1.01	1.02
EHD4X30A**	*9MVX040	1.00	1.06	ENH4X31*17**	*9MVX060	1.01	1.01
EHD4X30A**	*9MVX060	1.00	1.05	ENH4X31*17**	OLV098A12A	1.00	1.01
EHD4X30A**	*9MVX080	1.00	1.02	ENH4X31*17**	OLV112A16A	1.01	0.99
EHD4X30A**	*9MVX100	0.99	1.02	ENH4X31*17**	OMV098J12A	1.01	1.01
EHD4X30A**	OLV098A12A	0.99	1.04	ENH4X31*17**	OMV112K14A	1.00	0.99
EHD4X30A**	OLV112A16A	0.99	1.02	ENH4X31*17**	-	1.03	1.07
EHD4X30A**	OMV098J12A	1.00	1.05	ENH4X36*17**	*8MV*0701412**	0.99	1.03
EHD4X30A**	OMV112K14A	0.99	1.02	ENH4X36*17**	*8MV*0901716**	0.98	1.02
EHD4X30A**	-	1.02	1.09	ENH4X36*17**	*8MV*1102120**	0.99	1.02
EHD4X36A**	*8MV*0701412**	0.99	1.01	ENH4X36*17**	*8MV*1352422**	0.99	1.02
EHD4X36A**	*8MV*0901716**	0.99	0.99	ENH4X36*17**	*8MX*0701716**	0.99	1.03
EHD4X36A**	*8MV*1102120**	0.99	1.00	ENH4X36*17**	*8MX*0902116**	0.99	1.02
EHD4X36A**	*8MV*1352422**	0.99	0.99	ENH4X36*17**	*9MA*0601714A**	0.99	1.05
EHD4X36A**	*8MX*0701716**	1.00	1.01	ENH4X36*17**	*9MA*0801714A**	0.99	1.03

HEATING Multiplying Factors for other Indoor Combinations

Indoor Model	Furnace Model	Indoor Model	Furnace Model	Power (AMPS)	CAPACITY (MBh)	Indoor Model	Furnace Model	Power (AMPS)	CAPACITY (MBh)
EHD4X36A**	*8MX*0902116**	ENH4X36*17**	*9MA*1202422A**	0.99	1.00	ENH4X36*17**	*9MA*1202422A**	0.99	0.99
EHD4X36A**	*9MA*0601714A**	ENH4X36*17**	*9MV*0601714A**	1.02	1.00	ENH4X36*17**	*9MV*0601714A**	0.99	0.99
EHD4X36A**	*9MA*0602120A**	ENH4X36*17**	*9MV*0801716A**	1.01	1.00	ENH4X36*17**	*9MV*0801716A**	0.99	0.99
EHD4X36A**	*9MA*0801714A**	ENH4X36*17**	*9MV*1202422A**	1.01	1.00	ENH4X36*17**	*9MV*1202422A**	0.99	0.99
EHD4X36A**	*9MA*0802120A**	ENH4X36*17**	*9MX*0601714A**	0.99	0.99	ENH4X36*17**	*9MX*0601714A**	0.99	0.99
EHD4X36A**	*9MA*1202422A**	ENH4X36*17**	*9MX*0801716A**	0.99	0.99	ENH4X36*17**	*9MX*0801716A**	1.00	1.00
EHD4X36A**	*9MV*0601714A**	ENH4X36*17**	NOMV106D12*	1.02	1.00	ENH4X36*17**	NOMV106D12*	0.98	0.98
EHD4X36A**	*9MV*0801716A**	ENH4X36*17**	*9MA*1002120A**	1.01	1.00	ENH4X36*17**	*9MA*1002120A**	0.99	0.99
EHD4X36A**	*9MV*0802120A**	ENH4X36*17**	*9MPV050	0.99	0.99	ENH4X36*17**	*9MPV050	1.00	1.00
EHD4X36A**	*9MV*1002120A**	ENH4X36*17**	*9MPV075	1.00	0.99	ENH4X36*17**	*9MPV075	1.00	1.00
EHD4X36A**	*9MV*1202422A**	ENH4X36*17**	*9MV*1002116A**	0.99	0.99	ENH4X36*17**	*9MV*1002116A**	0.99	0.99
EHD4X36A**	*9MX*0601714A**	ENH4X36*17**	*9MVX040	1.01	1.01	ENH4X36*17**	*9MVX040	1.00	1.00
EHD4X36A**	*9MX*0801716A**	ENH4X36*17**	*9MVX060	1.00	1.01	ENH4X36*17**	*9MVX060	1.00	1.04
EHD4X36A**	MV08B15**B*	ENH4X36*17**	OLV098A12A	0.98	0.99	ENH4X36*17**	OLV098A12A	0.99	1.04
EHD4X36A**	MV12F19**B*	ENH4X36*17**	OLV112A16A	0.96	0.98	ENH4X36*17**	OLV112A16A	0.99	1.02
EHD4X36A**	NOMV106D12*	ENH4X36*17**	OMV098J12A	1.01	0.99	ENH4X36*17**	OMV098J12A	0.99	1.05
EHD4X36A**	*8MPV050	ENH4X36*17**	OMV112K14A	1.04	1.02	ENH4X36*17**	OMV112K14A	0.99	1.02
EHD4X36A**	*8MPV075	ENH4X36*17**	-	0.99	1.00	ENH4X36*17**	-	1.02	1.09
EHD4X36A**	*8MPV100	FEA4X30**A*	-	0.98	1.00	FEA4X30**A*	-	1.00	1.03
EHD4X36A**	*8MPV125	FEA4X36**A*	-	0.97	0.99	FEA4X36**A*	-	1.01	1.04
EHD4X36A**	*9MA*1002120A**	FEM4P30**A*	-	1.00	1.00	FEM4P30**A*	-	1.00	1.03
EHD4X36A**	*9MPV050	FEM4P30**A*	-	1.02	1.00	FEM4P30**A*	-	1.00	1.03
EHD4X36A**	*9MPV075	FEM4P36**A*	-	1.02	1.00	FEM4P36**A*	-	1.00	1.03
EHD4X36A**	*9MPV100	FEM4P36**A*	-	0.99	1.00	FEM4P36**A*	-	1.00	1.03
EHD4X36A**	*9MPV125	FEM4X30****	-	0.99	1.00	FEM4X30****	-	1.00	1.03
EHD4X36A**	*9MV*1002116A**	FEM4X36****	-	1.00	0.99	FEM4X36****	-	1.01	1.01
EHD4X36A**	*9MVX040	FS(M,U)4P30**A*	-	1.02	1.00	FS(M,U)4P30**A*	-	1.01	1.04
EHD4X36A**	*9MVX060	FS(M,U)4P30**A*	-	1.01	1.00	FS(M,U)4P30**A*	-	1.01	1.04
EHD4X36A**	*9MVX080	FS(M,U)4P36**A*	-	0.98	1.00	FS(M,U)4P36**A*	-	1.01	1.06
EHD4X36A**	*9MVX100	FS(M,U)4P36**A*	-	0.99	1.00	FS(M,U)4P36**A*	-	1.01	1.06
EHD4X36A**	OLV098A12A	FS(M,U)4X30****	-	1.02	1.00	FS(M,U)4X30****	-	1.01	1.09
EHD4X36A**	OLV112A16A	FSA4X30**A*	-	1.00	1.00	FSA4X30**A*	-	1.01	1.10
EHD4X36A**	OMV098J12A	FSA4X36**A*	-	1.02	1.00	FSA4X36**A*	-	1.02	1.09
EHD4X36A**	OMV112K14A	FSM4X36****	-	0.99	0.99	FSM4X36****	-	1.03	1.07
EHD4X36A**	-	FSU4X36****	-	1.05	1.02	FSU4X36****	-	1.02	1.10

HEATING Multiplying Factors for other Indoor Combinations

Indoor Model	Furnace Model	CAPACITY (MBh)	Power (AMPS)	Indoor Model	Furnace Model	CAPACITY (MBh)	Power (AMPS)
EMA4X36D**	-	1.02	1.09	FVM4X24****	-	0.99	1.01
EN(A,D)4X30*14**	*8MV*0701412**	0.99	1.04	FVM4X36****	-	0.98	0.99
				FVM4X48****	-	0.98	0.94
				FXM4X36**A*	-	0.99	0.98

HEATING Multiplying Factors for other Indoor Combinations

Indoor Model	Furnace Model	CAPACITY (MBh)	Power (AMPS)	Indoor Model	Furnace Model	CAPACITY (MBh)	Power (AMPS)
(C,H,T)XH536							
*FXM4X36**A*	-	1.00	1.00	EN(A,D)4X36*21**	*9MA*0601714A**	0.97	1.08
EA*4X36*14A*	*8MV*0701412**	0.98	1.06	EN(A,D)4X36*21**	*9MA*0602120A**	0.97	1.07
EA*4X36*14A*	*8MX*0451408**	0.99	1.09	EN(A,D)4X36*21**	*9MA*0801714A**	0.97	1.07
EA*4X36*14A*	-	1.00	1.10	EN(A,D)4X36*21**	*9MA*0802120A**	0.97	1.05
EA*4X36*17A*	*8MV*0901716**	0.97	1.04	EN(A,D)4X36*21**	*9MA*1002122A**	0.97	1.05
EA*4X36*17A*	*8MX*0701716**	0.98	1.06	EN(A,D)4X36*21**	*9MV*0601714A**	0.98	1.08
EA*4X36*17A*	*9MA*0601714A**	0.97	1.08	EN(A,D)4X36*21**	*9MV*0801716A**	0.98	1.06
EA*4X36*17A*	*9MA*0801714A**	0.97	1.06	EN(A,D)4X36*21**	*9MV*0802120A**	0.97	1.05
EA*4X36*17A*	*9MV*0601714A**	0.98	1.07	EN(A,D)4X36*21**	*9MV*1002120A**	0.97	1.05
EA*4X36*17A*	*9MV*0801716A**	0.98	1.06	EN(A,D)4X36*21**	*9MX*0601714A**	0.98	1.08
EA*4X36*17A*	*9MX*0601714A**	0.98	1.06	EN(A,D)4X36*21**	*9MX*0801716A**	0.98	1.06
EA*4X36*17A*	*9MX*0801716A**	0.98	1.06	EN(A,D)4X36*21**	NOMV156E19*	0.97	1.05
EA*4X36*17A*	-	1.01	1.10	EN(A,D)4X36*21**	*9MA*1002120A**	0.98	1.06
EA*4X36*21A*	*8MV*1102120**	0.97	1.04	EN(A,D)4X36*21**	*9MPV050	0.99	1.10
EA*4X36*21A*	*8MX*0902116**	0.98	1.02	EN(A,D)4X36*21**	*9MPV075	0.99	1.09
EA*4X36*21A*	*8MX*1102120**	0.98	1.02	EN(A,D)4X36*21**	*9MPV100	0.99	1.05
EA*4X36*21A*	*9MA*0601714A**	0.97	1.07	EN(A,D)4X36*21**	*9MV*1002116A**	0.98	1.06
EA*4X36*21A*	*9MA*0602120A**	0.97	1.06	EN(A,D)4X36*21**	*9MVX040	0.99	1.10
EA*4X36*21A*	*9MA*0801714A**	0.97	1.06	EN(A,D)4X36*21**	*9MVX060	0.99	1.08
EA*4X36*21A*	*9MA*0802120A**	0.97	1.03	EN(A,D)4X36*21**	*9MVX080	0.99	1.05
EA*4X36*21A*	*9MA*1002122A**	0.97	1.04	EN(A,D)4X36*21**	OLV098A12A	0.98	1.09
EA*4X36*21A*	*9MV*0601714A**	0.98	1.06	EN(A,D)4X36*21**	OLV112A16A	0.99	1.07
EA*4X36*21A*	*9MV*0801716A**	0.98	1.05	EN(A,D)4X36*21**	OMV098J12A	0.99	1.09
EA*4X36*21A*	*9MV*0802120A**	0.97	1.04	EN(A,D)4X36*21**	OMV112K14A	0.98	1.06
EA*4X36*21A*	*9MV*1002120A**	0.97	1.03	EN(A,D)4X36*21**	-	1.01	1.10
EA*4X36*21A*	*9MX*0601714A**	0.98	1.06	EN(A,D)4X37*17**	*8MV*0901716**	0.99	0.99
EA*4X36*21A*	*9MX*0801716A**	0.98	1.05	EN(A,D)4X37*17**	*8MX*0701716**	1.00	1.02

HEATING Multiplying Factors for other Indoor Combinations

Indoor Model	Furnace Model	CAPACITY (MBh)	Power (AMPS)	Indoor Model	Furnace Model	CAPACITY (MBh)	Power (AMPS)
EA*4X36*21A*	*9MA*1002120A**	0.97	1.05	EN(A,D)4X37*17**	*9MA*0601714A**	0.99	1.03
EA*4X36*21A*	*9MV*1002116A**	0.98	1.05	EN(A,D)4X37*17**	*9MA*0801714A**	0.99	1.01
EA*4X36*21A*	-	1.01	1.10	EN(A,D)4X37*17**	*9MV*0601714A**	1.00	1.03
EA*4X42*21A*	*8MV*1102120**	0.98	1.03	EN(A,D)4X37*17**	*9MV*0801716A**	0.99	1.01
EA*4X42*21A*	*8MX*0902116**	0.98	1.01	EN(A,D)4X37*17**	*9MX*0601714A**	1.00	1.02
EA*4X42*21A*	*8MX*1102120**	0.98	1.01	EN(A,D)4X37*17**	*9MX*0801716A**	0.99	1.01
EA*4X42*21A*	*9MA*0601714A**	0.97	1.06	EN(A,D)4X37*17**	NOMV106D12*	0.99	1.01
EA*4X42*21A*	*9MA*0602120A**	0.97	1.05	EN(A,D)4X37*17**	*9MPV050	1.01	1.05
EA*4X42*21A*	*9MA*0801714A**	0.97	1.05	EN(A,D)4X37*17**	*9MPV075	1.01	1.03
EA*4X42*21A*	*9MA*0802120A**	0.97	1.03	EN(A,D)4X37*17**	*9MVX040	1.01	1.05
EA*4X42*21A*	*9MA*1002122A**	0.97	1.02	EN(A,D)4X37*17**	*9MVX060	1.01	1.03
EA*4X42*21A*	*9MV*0601714A**	0.99	1.06	EN(A,D)4X37*17**	OLV098A12A	1.00	1.03
EA*4X42*21A*	*9MV*0801716A**	0.98	1.04	EN(A,D)4X37*17**	OMV098J12A	1.00	1.03
EA*4X42*21A*	*9MV*0802120A**	0.98	1.03	EN(A,D)4X37*17**	OMV112K14A	0.99	1.00
EA*4X42*21A*	*9MV*1002120A**	0.98	1.02	EN(A,D)4X37*17**	-	1.02	1.04
EA*4X42*21A*	*9MX*0601714A**	0.99	1.05	EN(A,D)4X43*24**	*8MV*1352422**	0.98	0.97
EA*4X42*21A*	*9MX*0801716A**	0.98	1.04	EN(A,D)4X43*24**	*9MA*1202422A**	0.98	0.99
EA*4X42*21A*	*9MA*1002120A**	0.98	1.04	EN(A,D)4X43*24**	*9MV*1202422A**	0.98	0.99
EA*4X42*21A*	*9MV*1002116A**	0.99	1.04	EN(A,D)4X43*24**	*9MA*1002120A**	0.99	1.00
EA*4X42*21A*	-	1.01	1.09	EN(A,D)4X43*24**	*9MPV100	1.01	0.99
EA*4X42*24A*	*8MV*1352422**	0.97	1.02	EN(A,D)4X43*24**	*9MPV125	1.01	0.98
EA*4X42*24A*	*9MA*1202422A**	0.97	1.03	EN(A,D)4X43*24**	*9MV*1002116A**	0.99	1.00
EA*4X42*24A*	*9MV*1202422A**	0.98	1.02	EN(A,D)4X43*24**	*9MVX080	1.02	0.99
EA*4X42*24A*	*9MA*1002120A**	0.98	1.04	EN(A,D)4X43*24**	*9MVX100	1.01	0.98
EA*4X42*24A*	*9MV*1002116A**	0.99	1.04	EN(A,D)4X43*24**	OLV112A16A	1.00	0.99
EA*4X42*24A*	-	1.01	1.09	EN(A,D)4X43*24**	OLV154F20A	1.01	0.97
ED*4X36B**	*8MV*0701412**	0.98	1.06	EN(A,D)4X43*24**	-	1.02	1.04
ED*4X36B**	*8MX*0451408**	0.99	1.09	EN(A,D,W)4X36*17**	*8MV*0901716**	0.97	1.05
ED*4X36B**	MV08B15**B*	0.98	1.04	EN(A,D,W)4X36*17**	*8MX*0701716**	0.98	1.08
ED*4X36B**	*8MPV050	0.99	1.11	EN(A,D,W)4X36*17**	*9MA*0601714A**	0.97	1.08
ED*4X36B**	-	1.00	1.10	EN(A,D,W)4X36*17**	*9MA*0801714A**	0.97	1.07
ED*4X36F**	*8MV*0901716**	0.97	1.04	EN(A,D,W)4X36*17**	*9MV*0601714A**	0.98	1.08
ED*4X36F**	*8MX*0701716**	0.98	1.06	EN(A,D,W)4X36*17**	*9MV*0801716A**	0.98	1.06
ED*4X36F**	*9MA*0601714A**	0.97	1.08	EN(A,D,W)4X36*17**	*9MX*0601714A**	0.98	1.08
ED*4X36F**	*9MA*0801714A**	0.97	1.06	EN(A,D,W)4X36*17**	*9MX*0801716A**	0.97	1.06

HEATING Multiplying Factors for other Indoor Combinations

Indoor Model	Furnace Model	Capacity (MBh)	Power (AMPS)	Indoor Model	Furnace Model	Capacity (MBh)	Power (AMPS)
ED*4X36F**	*9MV*0601714A**	0.98	1.07	EN(A,D,W)4X36*17**	NOMV106D12*	0.97	1.07
ED*4X36F**	*9MV*0801716A**	0.98	1.06	EN(A,D,W)4X36*17**	*9MPV050	0.99	1.10
ED*4X36F**	*9MX*0601714A**	0.98	1.06	EN(A,D,W)4X36*17**	*9MPV075	0.99	1.09
ED*4X36F**	*9MX*0801716A**	0.98	1.06	EN(A,D,W)4X36*17**	*9MVX040	0.99	1.10
ED*4X36F**	MV12F19**B*	0.97	1.02	EN(A,D,W)4X36*17**	*9MVX060	0.99	1.08
ED*4X36F**	NOMV106D12*	0.97	1.06	EN(A,D,W)4X36*17**	OLV098A12A	0.98	1.09
ED*4X36F**	*8MPV075	0.99	1.05	EN(A,D,W)4X36*17**	OMV098J12A	0.99	1.09
ED*4X36F**	*9MPV050	0.99	1.09	EN(A,D,W)4X36*17**	OMV112K14A	0.98	1.07
ED*4X36F**	*9MPV075	0.99	1.08	EN(A,D,W)4X36*17**	-	1.01	1.10
ED*4X36F**	*9MVX040	0.99	1.10	EN(A,D,W)4X42*21**	*8MV*1102120**	0.98	1.03
ED*4X36F**	*9MVX060	0.99	1.08	EN(A,D,W)4X42*21**	*8MX*0902116**	0.98	1.02
ED*4X36F**	OLV098A12A	0.98	1.08	EN(A,D,W)4X42*21**	*8MX*1102120**	0.98	1.01
ED*4X36F**	OLV112A16A	0.99	1.06	EN(A,D,W)4X42*21**	*9MA*0601714A**	0.98	1.07
ED*4X36F**	OMV098J12A	0.98	1.08	EN(A,D,W)4X42*21**	*9MA*0602120A**	0.98	1.05
ED*4X36F**	OMV112K14A	0.98	1.06	EN(A,D,W)4X42*21**	*9MA*0801714A**	0.98	1.06
ED*4X36F**	-	1.01	1.10	EN(A,D,W)4X42*21**	*9MA*0802120A**	0.97	1.03
ED*4X36J**	*8MV*1102120**	0.97	1.04	EN(A,D,W)4X42*21**	*9MA*1002122A**	0.98	1.03
ED*4X36J**	*8MX*0902116**	0.98	1.02	EN(A,D,W)4X42*21**	*9MV*0601714A**	0.99	1.06
ED*4X36J**	*8MX*1102120**	0.98	1.02	EN(A,D,W)4X42*21**	*9MV*0801716A**	0.98	1.04
ED*4X36J**	MV16J22**B*	0.97	1.01	EN(A,D,W)4X42*21**	*9MV*0802120A**	0.98	1.04
ED*4X36J**	NOMV156E19*	0.97	1.05	EN(A,D,W)4X42*21**	*9MV*1002120A**	0.98	1.04
ED*4X36J**	*8MPV100	0.99	1.03	EN(A,D,W)4X42*21**	*9MX*0601714A**	0.99	1.06
ED*4X36J**	*8MPV125	0.99	1.01	EN(A,D,W)4X42*21**	*9MX*0801716A**	0.98	1.05
ED*4X36J**	*9MA*1002120A**	0.97	1.05	EN(A,D,W)4X42*21**	NOMV156E19*	0.98	1.04
ED*4X36J**	*9MPV100	0.99	1.04	EN(A,D,W)4X42*21**	*9MA*1002120A**	0.98	1.05
ED*4X36J**	*9MV*1002116A**	0.98	1.05	EN(A,D,W)4X42*21**	*9MPV050	0.99	1.08
ED*4X36J**	*9MVX080	0.99	1.04	EN(A,D,W)4X42*21**	*9MPV075	0.99	1.07
ED*4X36J**	OLV112A16A	0.98	1.05	EN(A,D,W)4X42*21**	*9MPV100	0.99	1.04
ED*4X36J**	-	1.01	1.10	EN(A,D,W)4X42*21**	*9MV*1002116A**	0.98	1.04
ED*4X42F**	*9MA*0601714A**	0.98	1.07	EN(A,D,W)4X42*21**	*9MVX040	0.99	1.08
ED*4X42F**	*9MA*0801714A**	0.97	1.05	EN(A,D,W)4X42*21**	*9MVX060	0.99	1.06
ED*4X42F**	*9MV*0601714A**	0.99	1.06	EN(A,D,W)4X42*21**	*9MVX080	1.00	1.03
ED*4X42F**	*9MV*0801716A**	0.98	1.05	EN(A,D,W)4X42*21**	OLV098A12A	0.99	1.07
ED*4X42F**	*9MX*0601714A**	0.99	1.06	EN(A,D,W)4X42*21**	OLV112A16A	0.99	1.05
ED*4X42F**	*9MX*0801716A**	0.98	1.05	EN(A,D,W)4X42*21**	OMV098J12A	0.99	1.06

HEATING Multiplying Factors for other Indoor Combinations

Indoor Model	Furnace Model	CAPACITY (MBh)	Power (AMPS)	Indoor Model	Furnace Model	CAPACITY (MBh)	Power (AMPS)
ED*4X42F**	MV12F19**B*	0.98	1.01	EN(A,D,W)4X42*21**	OMV112K14A	0.98	1.05
ED*4X42F**	*8MPV075	0.99	1.05	EN(A,D,W)4X42*21**	-	1.01	1.08
ED*4X42F**	*9MPV050	0.99	1.08	END4X42*17**	*8MV*0901716**	0.98	1.02
ED*4X42F**	*9MPV075	0.99	1.07	END4X42*17**	*8MX*0701716**	0.99	1.05
ED*4X42F**	*9MVX040	0.99	1.08	END4X42*17**	*9MA*0601714A**	0.98	1.06
ED*4X42F**	*9MVX060	0.99	1.06	END4X42*17**	*9MA*0801714A**	0.98	1.04
ED*4X42F**	OLV098A12A	0.98	1.06	END4X42*17**	*9MV*0601714A**	0.99	1.05
ED*4X42F**	OLV112A16A	0.99	1.05	END4X42*17**	*9MV*0801716A**	0.99	1.04
ED*4X42F**	OMV098J12A	0.99	1.06	END4X42*17**	*9MX*0601714A**	0.99	1.05
ED*4X42F**	OMV112K14A	0.98	1.05	END4X42*17**	*9MX*0801716A**	0.98	1.04
ED*4X42F**	-	1.00	1.08	END4X42*17**	NOMV106D12*	0.98	1.04
ED*4X42J**	*8MV*1102120**	0.98	1.03	END4X42*17**	*9MPV050	1.00	1.07
ED*4X42J**	*8MX*0902116**	0.98	1.02	END4X42*17**	*9MPV075	0.99	1.06
ED*4X42J**	*8MX*1102120**	0.98	1.01	END4X42*17**	*9MVX040	1.00	1.07
ED*4X42J**	MV16J22**B*	0.97	1.00	END4X42*17**	*9MVX060	1.00	1.05
ED*4X42J**	NOMV156E19*	0.98	1.04	END4X42*17**	OLV098A12A	0.99	1.05
ED*4X42J**	*8MPV100	0.99	1.02	END4X42*17**	OMV098J12A	0.99	1.06
ED*4X42J**	*8MPV125	0.99	1.01	END4X42*17**	OMV112K14A	0.99	1.04
ED*4X42J**	*9MA*1002120A**	0.98	1.04	END4X42*17**	-	1.02	1.08
ED*4X42J**	*9MPV100	0.99	1.03	ENH4X36*17**	*8MV*0701412**	0.98	1.06
ED*4X42J**	*9MV*1002116A**	0.99	1.04	ENH4X36*17**	*8MV*0901716**	0.97	1.05
ED*4X42J**	*9MVX080	1.00	1.03	ENH4X36*17**	*8MV*1102120**	0.97	1.05
ED*4X42J**	OLV112A16A	0.99	1.04	ENH4X36*17**	*8MV*1352422**	0.97	1.05
ED*4X42J**	-	1.01	1.09	ENH4X36*17**	*8MX*0451408**	0.99	1.09
ED*4X42L**	*8MV*1352422**	0.97	1.02	ENH4X36*17**	*8MX*0701716**	0.98	1.08
ED*4X42L**	*9MA*1202422A**	0.97	1.03	ENH4X36*17**	*8MX*0902116**	0.98	1.05
ED*4X42L**	*9MV*1202422A**	0.98	1.02	ENH4X36*17**	*8MX*1102120**	0.98	1.04
ED*4X42L**	MV20L24**B*	0.97	1.00	ENH4X36*17**	*9MA*1202422A**	0.97	1.08
ED*4X42L**	*9MA*1002120A**	0.98	1.04	ENH4X36*17**	*9MA*0801714A**	0.97	1.07
ED*4X42L**	*9MPV125	0.99	1.02	ENH4X36*17**	*9MA*1202422A**	0.97	1.06
ED*4X42L**	*9MV*1002116A**	0.99	1.04	ENH4X36*17**	*9MV*0601714A**	0.98	1.08
ED*4X42L**	*9MVX100	0.99	1.02	ENH4X36*17**	*9MV*0801716A**	0.98	1.06
ED*4X42L**	OLV112A16A	0.99	1.04	ENH4X36*17**	*9MV*1202422A**	0.97	1.06
ED*4X42L**	OLV154F20A	1.00	1.01	ENH4X36*17**	*9MX*0601714A**	0.98	1.08
ED*4X42L**	-	1.01	1.09	ENH4X36*17**	*9MX*0801716A**	0.97	1.06

HEATING Multiplying Factors for other Indoor Combinations

Indoor Model	Furnace Model	CAPACITY (MBh)	Power (AMPS)	Indoor Model	Furnace Model	CAPACITY (MBh)	Power (AMPS)
EHD4X36A**	*8MV*0701412**	0.98	1.03	ENH4X36*17**	NOMV106D12*	0.97	1.07
EHD4X36A**	*8MV*0901716**	0.98	1.02	ENH4X36*17**	NOMV156E19*	0.98	1.06
EHD4X36A**	*8MV*1102120**	0.98	1.01	ENH4X36*17**	*9MA*1002120A**	0.98	1.07
EHD4X36A**	*8MV*1352422**	0.98	1.01	ENH4X36*17**	*9MPV050	0.99	1.10
EHD4X36A**	*8MX*0451408**	1.00	1.06	ENH4X36*17**	*9MPV075	0.99	1.09
EHD4X36A**	*8MX*0701716**	0.99	1.04	ENH4X36*17**	*9MV*1002116A**	0.98	1.06
EHD4X36A**	*8MX*0902116**	0.99	1.01	ENH4X36*17**	*9MVX040	0.99	1.10
EHD4X36A**	*8MX*1102120**	0.99	1.00	ENH4X36*17**	*9MVX060	0.99	1.08
EHD4X36A**	*9MA*0601714A**	0.98	1.05	ENH4X36*17**	OLV098A12A	0.98	1.09
EHD4X36A**	*9MA*0602120A**	0.98	1.04	ENH4X36*17**	OLV112A16A	0.99	1.07
EHD4X36A**	*9MA*0801714A**	0.98	1.04	ENH4X36*17**	OLV154F20A	1.00	1.04
EHD4X36A**	*9MA*0802120A**	0.98	1.02	ENH4X36*17**	OMV098J12A	0.99	1.09
EHD4X36A**	*9MA*1002122A**	0.98	1.02	ENH4X36*17**	OMV112K14A	0.98	1.07
EHD4X36A**	*9MV*0601714A**	0.99	1.02	ENH4X36*17**	-	1.01	1.10
EHD4X36A**	*9MV*0801716A**	0.99	1.05	ENH4X42*21**	*8MV*0701412**	0.98	1.05
EHD4X36A**	*9MV*0801716A**	0.99	1.03	ENH4X42*21**	*8MV*0901716**	0.98	1.04
EHD4X36A**	*9MV*0802120A**	0.98	1.02	ENH4X42*21**	*8MV*1102120**	0.98	1.03
EHD4X36A**	*9MV*1002120A**	0.98	1.02	ENH4X42*21**	*8MV*1352422**	0.97	1.02
EHD4X36A**	*9MV*1202422A**	0.98	1.02	ENH4X42*21**	*8MX*0451408**	0.99	1.07
EHD4X36A**	*9MX*0601714A**	0.99	1.04	ENH4X42*21**	*8MX*0701716**	0.99	1.05
EHD4X36A**	*9MX*0801716A**	0.98	1.03	ENH4X42*21**	*8MX*0902116**	0.98	1.02
EHD4X36A**	MV08B15**B*	0.98	1.00	ENH4X42*21**	*8MX*1102120**	0.98	1.01
EHD4X36A**	MV12F19**B*	0.97	0.98	ENH4X42*21**	*9MA*0601714A**	0.98	1.07
EHD4X36A**	MV16J22**B*	0.97	0.98	ENH4X42*21**	*9MA*0602120A**	0.98	1.05
EHD4X36A**	MV20L24**B*	0.98	0.99	ENH4X42*21**	*9MA*0801714A**	0.98	1.06
EHD4X36A**	NOMV106D12*	0.98	1.04	ENH4X42*21**	*9MA*0802120A**	0.97	1.03
EHD4X36A**	NOMV156E19*	0.98	1.02	ENH4X42*21**	*9MA*1002122A**	0.98	1.03
EHD4X36A**	*8MPV050	0.99	1.07	ENH4X42*21**	*9MA*1202422A**	0.98	1.04
EHD4X36A**	*8MPV075	0.99	1.02	ENH4X42*21**	*9MV*0601714A**	0.99	1.06
EHD4X36A**	*8MPV100	0.99	1.00	ENH4X42*21**	*9MV*0801716A**	0.98	1.04
EHD4X36A**	*8MPV125	0.99	0.99	ENH4X42*21**	*9MV*0802120A**	0.98	1.04
EHD4X36A**	*9MA*1002120A**	0.98	1.03	ENH4X42*21**	*9MV*1002120A**	0.98	1.04
EHD4X36A**	*9MPV050	0.99	1.06	ENH4X42*21**	*9MV*1202422A**	0.98	1.04
EHD4X36A**	*9MPV075	0.99	1.05	ENH4X42*21**	*9MX*0601714A**	0.99	1.06
EHD4X36A**	*9MPV100	0.99	1.02	ENH4X42*21**	*9MX*0801716A**	0.98	1.05

HEATING Multiplying Factors for other Indoor Combinations

Indoor Model	Furnace Model	Indoor Model	Furnace Model	Power (AMPS)	CAPACITY (MBh)	Indoor Model	Furnace Model	CAPACITY (MBh)	Power (AMPS)
EHD4X36A**	*9MPV125	ENH4X42*21**	NOMV106D12*	1.01	0.99	ENH4X42*21**	NOMV106D12*	0.98	1.05
EHD4X36A**	*9MV*1002116A**	ENH4X42*21**	NOMV156E19*	1.03	0.99	ENH4X42*21**	NOMV156E19*	0.98	1.04
EHD4X36A**	*9MVX040	ENH4X42*21**	*9MA*1002120A**	1.06	0.99	ENH4X42*21**	*9MA*1002120A**	0.98	1.05
EHD4X36A**	*9MVX060	ENH4X42*21**	*9MPV050	1.04	0.99	ENH4X42*21**	*9MPV050	0.99	1.08
EHD4X36A**	*9MVX080	ENH4X42*21**	*9MPV075	1.01	0.99	ENH4X42*21**	*9MPV075	0.99	1.07
EHD4X36A**	*9MVX100	ENH4X42*21**	*9MPV100	1.01	0.99	ENH4X42*21**	*9MPV100	0.99	1.04
EHD4X36A**	OLV098A12A	ENH4X42*21**	*9MV*1002116A**	1.05	0.99	ENH4X42*21**	*9MV*1002116A**	0.98	1.04
EHD4X36A**	OLV112A16A	ENH4X42*21**	*9MVX040	1.03	0.99	ENH4X42*21**	*9MVX040	0.99	1.08
EHD4X36A**	OLV154F20A	ENH4X42*21**	*9MVX060	1.00	1.01	ENH4X42*21**	*9MVX060	0.99	1.06
EHD4X36A**	OMV098J12A	ENH4X42*21**	*9MVX080	1.05	0.99	ENH4X42*21**	*9MVX080	1.00	1.03
EHD4X36A**	OMV112K14A	ENH4X42*21**	OLV098A12A	1.03	0.99	ENH4X42*21**	OLV098A12A	0.99	1.07
EHD4X36A**	-	ENH4X42*21**	OLV112A16A	1.07	1.01	ENH4X42*21**	OLV112A16A	0.99	1.05
EHD4X42A**	*8MV*0701412**	ENH4X42*21**	OLV154F20A	1.03	0.99	ENH4X42*21**	OLV154F20A	1.00	1.02
EHD4X42A**	*8MV*0901716**	ENH4X42*21**	OMV098J12A	1.01	0.98	ENH4X42*21**	OMV098J12A	0.99	1.06
EHD4X42A**	*8MV*1102120**	ENH4X42*21**	OMV112K14A	1.00	0.98	ENH4X42*21**	OMV112K14A	0.98	1.05
EHD4X42A**	*8MV*1352422**	ENH4X42*21**	-	1.00	0.98	ENH4X42*21**	-	1.01	1.08
EHD4X42A**	*8MX*0451408**	ENH4X43*21**	*9MA*0601714A**	1.05	1.01	ENH4X43*21**	*9MA*0601714A**	0.99	1.03
EHD4X42A**	*8MX*0701716**	ENH4X43*21**	*9MA*0801714A**	1.03	0.99	ENH4X43*21**	*9MA*0801714A**	0.99	1.01
EHD4X42A**	*8MX*0902116**	ENH4X43*21**	*9MA*1202422A**	0.99	0.99	ENH4X43*21**	*9MA*1202422A**	0.98	0.99
EHD4X42A**	*8MX*1102120**	ENH4X43*21**	*9MV*0601714A**	0.99	0.99	ENH4X43*21**	*9MV*0601714A**	1.00	1.02
EHD4X42A**	*9MA*0601714A**	ENH4X43*21**	*9MV*0801716A**	1.04	0.98	ENH4X43*21**	*9MV*0801716A**	0.99	1.01
EHD4X42A**	*9MA*0602120A**	ENH4X43*21**	*9MV*1202422A**	1.03	0.98	ENH4X43*21**	*9MV*1202422A**	0.99	0.99
EHD4X42A**	*9MA*0801714A**	ENH4X43*21**	*9MX*0601714A**	1.03	0.98	ENH4X43*21**	*9MX*0601714A**	1.00	1.01
EHD4X42A**	*9MA*0802120A**	ENH4X43*21**	*9MX*0801716A**	1.01	0.98	ENH4X43*21**	*9MX*0801716A**	0.99	1.00
EHD4X42A**	*9MA*1002122A**	ENH4X43*21**	NOMV106D12*	1.01	0.98	ENH4X43*21**	NOMV106D12*	0.99	1.01
EHD4X42A**	*9MA*1202422A**	ENH4X43*21**	NOMV156E19*	1.01	0.98	ENH4X43*21**	NOMV156E19*	0.99	1.00
EHD4X42A**	*9MV*0601714A**	ENH4X43*21**	*9MA*1002120A**	1.04	0.99	ENH4X43*21**	*9MA*1002120A**	0.99	1.00
EHD4X42A**	*9MV*0801716A**	ENH4X43*21**	*9MPV050	1.03	0.99	ENH4X43*21**	*9MPV050	1.01	1.04
EHD4X42A**	*9MV*0802120A**	ENH4X43*21**	*9MPV075	1.01	0.98	ENH4X43*21**	*9MPV075	1.01	1.02
EHD4X42A**	*9MV*1002120A**	ENH4X43*21**	*9MPV100	1.01	0.98	ENH4X43*21**	*9MPV100	1.01	0.99
EHD4X42A**	*9MV*1202422A**	ENH4X43*21**	*9MPV125	1.00	0.98	ENH4X43*21**	*9MPV125	1.01	0.98
EHD4X42A**	*9MX*0601714A**	ENH4X43*21**	*9MV*1002116A**	1.03	0.99	ENH4X43*21**	*9MV*1002116A**	0.99	1.01
EHD4X42A**	*9MX*0801716A**	ENH4X43*21**	*9MVX040	1.03	0.99	ENH4X43*21**	*9MVX040	1.01	1.04
EHD4X42A**	MV08B15**B*	ENH4X43*21**	*9MVX060	1.00	0.99	ENH4X43*21**	*9MVX060	1.01	1.02
EHD4X42A**	MV12F19**B*	ENH4X43*21**	*9MVX080	0.98	0.98	ENH4X43*21**	*9MVX080	1.01	0.99

HEATING Multiplying Factors for other Indoor Combinations						
Indoor Model	Furnace Model	CAPACITY (MBh)	Power (AMPS)	Indoor Model	Furnace Model	Power (AMPS)
EHD4X42A**	MV16J22**B*	0.97	0.97	ENH4X43*21**	*9MVX100	0.99
EHD4X42A**	MV20L24**B*	0.97	0.97	ENH4X43*21**	OLV098A12A	1.03
EHD4X42A**	NOMV106D12*	0.98	1.02	ENH4X43*21**	OLV112A16A	1.00
EHD4X42A**	NOMV156E19*	0.98	1.01	ENH4X43*21**	OLV154F20A	0.97
EHD4X42A**	*8MPV050	0.99	1.05	ENH4X43*21**	OMV098J12A	1.02
EHD4X42A**	*8MPV075	0.99	1.01	ENH4X43*21**	OMV112K14A	1.00
EHD4X42A**	*8MPV100	0.99	0.98	FEA4X36**A*	-	1.01
EHD4X42A**	*8MPV125	0.99	0.98	FEM4P36**A*	-	1.06
EHD4X42A**	*9MA*1002120A**	0.98	1.02	FEM4P36**A*	-	1.06
EHD4X42A**	*9MPV050	0.99	1.05	FEM4P42**A*	-	1.01
EHD4X42A**	*9MPV075	0.99	1.04	FEM4P42**A*	-	1.01
EHD4X42A**	*9MPV100	0.99	1.00	FEM4X36****	-	1.02
EHD4X42A**	*9MPV125	0.99	0.99	FEM4X42****	-	1.03
EHD4X42A**	*9MV*1002116A**	0.99	1.02	FS(M,U)4P36**A*	-	1.07
EHD4X42A**	*9MVX040	0.99	1.05	FS(M,U)4P36**A*	-	1.07
EHD4X42A**	*9MVX060	0.99	1.03	FS(M,U)4P42**A*	-	1.05
EHD4X42A**	*9MVX080	1.00	1.00	FS(M,U)4P42**A*	-	1.05
EHD4X42A**	*9MVX100	0.99	0.99	FS(M,U)4X42****	-	1.09
EHD4X42A**	OLV098A12A	0.99	1.05	FSA4X36**A*	-	1.12
EHD4X42A**	OLV112A16A	1.00	1.03	FSM4X36****	-	1.08
EHD4X42A**	OLV154F20A	1.01	0.99	FSU4X36****	-	1.11
EHD4X42A**	OMV112K14A	0.99	1.02	FVM4X24****	-	1.04
EHD4X42A**	-	1.01	1.05	FVM4X36****	-	1.02
EMA4X36D**	-	1.01	1.10	FVM4X48****	-	0.98
EN(A,D)4X36*21**	*8MV*1102120**	0.97	1.05	FVM4X60****	-	0.94
EN(A,D)4X36*21**	*8MV*1102120**	0.98	1.05	FXM4X42**A*	-	0.99
EN(A,D)4X36*21**	*8MX*0902116**	0.98	1.04			
EN(A,D)4X36*21**	*8MX*1102120**	0.98	1.04			
HEATING Multiplying Factors for other Indoor Combinations						
Indoor Model	Furnace Model	CAPACITY (MBh)	Power (AMPS)	Indoor Model	Furnace Model	Power (AMPS)
(C,H,T)XH537						
*FXM4X36**A*	-	1.00	1.00	EN(A,D)4X36*21**	OLV112A16A	1.07
EA*4X36*14A*	*8MV*0701412**	0.98	1.06	EN(A,D)4X36*21**	OMV098J12A	1.08
EA*4X36*14A*	*8MX*0451408**	0.99	1.10	EN(A,D)4X36*21**	OMV112K14A	1.06

HEATING Multiplying Factors for other Indoor Combinations

Indoor Model	Furnace Model	CAPACITY (MBh)	Power (AMPS)	Indoor Model	Furnace Model	CAPACITY (MBh)	Power (AMPS)
EA*4X36*14A*	-	1.00	1.10	EN(A,D)4X36*21**	-	1.00	1.10
EA*4X36*17A*	*8MV*0901716**	0.97	1.04	EN(A,D)4X37*17**	*8MV*0901716**	0.98	0.99
EA*4X36*17A*	*8MX*0701716**	0.98	1.06	EN(A,D)4X37*17**	*8MX*0701716**	1.00	1.02
EA*4X36*17A*	*9MA*0601714A**	0.97	1.07	EN(A,D)4X37*17**	*9MA*0601714A**	0.99	1.03
EA*4X36*17A*	*9MA*0801714A**	0.97	1.06	EN(A,D)4X37*17**	*9MA*0801714A**	0.99	1.02
EA*4X36*17A*	*9MV*0601714A**	0.98	1.07	EN(A,D)4X37*17**	*9MV*0601714A**	1.00	1.02
EA*4X36*17A*	*9MV*0801716A**	0.98	1.05	EN(A,D)4X37*17**	*9MV*0801716A**	0.99	1.02
EA*4X36*17A*	*9MX*0601714A**	0.98	1.06	EN(A,D)4X37*17**	*9MX*0601714A**	1.00	1.02
EA*4X36*17A*	*9MX*0801716A**	0.98	1.05	EN(A,D)4X37*17**	*9MX*0801716A**	0.99	1.00
EA*4X36*17A*	-	1.00	1.08	EN(A,D)4X37*17**	NOMV106D12*	0.98	1.01
EA*4X36*21A*	*8MV*1102120**	0.97	1.03	EN(A,D)4X37*17**	*9MPV050	1.00	1.03
EA*4X36*21A*	*8MX*0902116**	0.98	1.03	EN(A,D)4X37*17**	*9MPV075	1.00	1.02
EA*4X36*21A*	*8MX*1102120**	0.98	1.01	EN(A,D)4X37*17**	*9MVX040	1.00	1.03
EA*4X36*21A*	*9MA*0601714A**	0.97	1.07	EN(A,D)4X37*17**	*9MVX060	1.00	1.01
EA*4X36*21A*	*9MA*0602120A**	0.97	1.05	EN(A,D)4X37*17**	OLV098A12A	1.00	1.03
EA*4X36*21A*	*9MA*0801714A**	0.97	1.05	EN(A,D)4X37*17**	OMV098J12A	1.00	1.02
EA*4X36*21A*	*9MA*0802120A**	0.97	1.03	EN(A,D)4X37*17**	OMV112K14A	1.00	1.01
EA*4X36*21A*	*9MA*1002122A**	0.97	1.03	EN(A,D)4X37*17**	-	1.00	1.03
EA*4X36*21A*	*9MV*0601714A**	0.99	1.07	EN(A,D)4X43*24**	*8MV*1352422**	0.98	0.98
EA*4X36*21A*	*9MV*0801716A**	0.98	1.05	EN(A,D)4X43*24**	*9MA*1202422A**	0.99	0.99
EA*4X36*21A*	*9MV*0802120A**	0.98	1.04	EN(A,D)4X43*24**	*9MV*1202422A**	0.98	0.98
EA*4X36*21A*	*9MV*1002120A**	0.97	1.03	EN(A,D)4X43*24**	MV20L24**B*	0.98	0.96
EA*4X36*21A*	*9MX*0601714A**	0.99	1.06	EN(A,D)4X43*24**	*9MA*1002120A**	0.99	0.99
EA*4X36*21A*	*9MX*0801716A**	0.98	1.05	EN(A,D)4X43*24**	*9MPV100	1.00	0.97
EA*4X36*21A*	*9MA*1002120A**	0.97	1.05	EN(A,D)4X43*24**	*9MPV125	1.00	0.97
EA*4X36*21A*	-	1.00	1.08	EN(A,D)4X43*24**	*9MV*1002116A**	0.99	1.00
EA*4X42*21A*	*8MV*1102120**	0.98	1.03	EN(A,D)4X43*24**	*9MVX080	1.00	0.97
EA*4X42*21A*	*8MX*0902116**	0.98	1.01	EN(A,D)4X43*24**	*9MVX100	1.00	0.98
EA*4X42*21A*	*8MX*1102120**	0.98	1.00	EN(A,D)4X43*24**	OLV112A16A	1.00	0.99
EA*4X42*21A*	*9MA*0601714A**	0.98	1.06	EN(A,D)4X43*24**	OLV154F20A	1.00	0.95
EA*4X42*21A*	*9MA*0602120A**	0.97	1.04	EN(A,D)4X43*24**	-	1.00	1.03
EA*4X42*21A*	*9MA*0801714A**	0.97	1.04	EN(A,D,W)4X36*17**	*8MV*0901716**	0.97	1.05
EA*4X42*21A*	*9MA*0802120A**	0.97	1.04	EN(A,D,W)4X36*17**	*8MX*0701716**	0.98	1.07
EA*4X42*21A*	*9MA*1002122A**	0.98	1.03	EN(A,D,W)4X36*17**	*9MA*0601714A**	0.97	1.08
EA*4X42*21A*	-	0.98	1.03	EN(A,D,W)4X36*17**	*9MA*0801714A**	0.97	1.07

HEATING Multiplying Factors for other Indoor Combinations

Indoor Model	Furnace Model	CAPACITY (MBh)	Power (AMPS)	Indoor Model	Furnace Model	CAPACITY (MBh)	Power (AMPS)
EA*4X42*21A*	*9MV*0601714A**	0.99	1.05	EN(A,D,W)4X36*17**	*9MV*0601714A**	0.98	1.08
EA*4X42*21A*	*9MV*0801716A**	0.99	1.04	EN(A,D,W)4X36*17**	*9MV*0801716A**	0.98	1.07
EA*4X42*21A*	*9MV*0802120A**	0.98	1.03	EN(A,D,W)4X36*17**	*9MX*0601714A**	0.98	1.07
EA*4X42*21A*	*9MV*1002120A**	0.98	1.03	EN(A,D,W)4X36*17**	*9MX*0801716A**	0.97	1.06
EA*4X42*21A*	*9MX*0601714A**	0.99	1.05	EN(A,D,W)4X36*17**	NOMV106D12*	0.97	1.07
EA*4X42*21A*	*9MX*0801716A**	0.98	1.04	EN(A,D,W)4X36*17**	OLV098A12A	0.98	1.08
EA*4X42*21A*	*9MA*1002120A**	0.98	1.04	EN(A,D,W)4X36*17**	OMV098J12A	0.99	1.08
EA*4X42*21A*	*9MV*1002116A**	0.99	1.04	EN(A,D,W)4X36*17**	OMV112K14A	0.98	1.07
EA*4X42*21A*	-	1.00	1.07	EN(A,D,W)4X36*17**	-	1.00	1.10
EA*4X42*24A*	*8MV*1352422**	0.97	1.01	EN(A,D,W)4X42*21**	*8MV*1102120**	0.97	1.03
EA*4X42*24A*	*9MA*1202422A**	0.97	1.03	EN(A,D,W)4X42*21**	*8MX*0902116**	0.98	1.02
EA*4X42*24A*	*9MV*1202422A**	0.98	1.03	EN(A,D,W)4X42*21**	*8MX*1102120**	0.98	1.01
EA*4X42*24A*	*9MA*1002120A**	0.98	1.04	EN(A,D,W)4X42*21**	*9MA*0601714A**	0.98	1.07
EA*4X42*24A*	*9MV*1002116A**	0.99	1.03	EN(A,D,W)4X42*21**	*9MA*0602120A**	0.98	1.05
EA*4X42*24A*	-	1.00	1.07	EN(A,D,W)4X42*21**	*9MA*0801714A**	0.98	1.05
ED*4X36B**	MV08B15**B*	0.98	1.04	EN(A,D,W)4X42*21**	*9MA*0802120A**	0.97	1.03
ED*4X36B**	*8MPV050	0.99	1.11	EN(A,D,W)4X42*21**	*9MA*1002122A**	0.98	1.03
ED*4X36B**	-	1.00	1.11	EN(A,D,W)4X42*21**	*9MV*0601714A**	0.99	1.06
ED*4X36F**	*9MA*0601714A**	0.97	1.07	EN(A,D,W)4X42*21**	*9MV*0801716A**	0.99	1.05
ED*4X36F**	*9MA*0801714A**	0.97	1.06	EN(A,D,W)4X42*21**	*9MV*0802120A**	0.98	1.03
ED*4X36F**	*9MV*0601714A**	0.98	1.07	EN(A,D,W)4X42*21**	*9MV*1002120A**	0.98	1.03
ED*4X36F**	*9MV*0801716A**	0.98	1.05	EN(A,D,W)4X42*21**	*9MX*0601714A**	0.99	1.05
ED*4X36F**	*9MX*0601714A**	0.98	1.06	EN(A,D,W)4X42*21**	*9MX*0801716A**	0.98	1.05
ED*4X36F**	*9MX*0801716A**	0.98	1.05	EN(A,D,W)4X42*21**	NOMV156E19*	0.97	1.04
ED*4X36F**	MV12F19**B*	0.97	1.02	EN(A,D,W)4X42*21**	*9MA*1002120A**	0.98	1.04
ED*4X36F**	NOMV106D12*	0.97	1.06	EN(A,D,W)4X42*21**	*9MPV100	1.00	1.04
ED*4X36F**	*8MPV075	0.98	1.05	EN(A,D,W)4X42*21**	*9MV*1002116A**	0.99	1.04
ED*4X36F**	*9MPV050	0.99	1.10	EN(A,D,W)4X42*21**	*9MVX080	1.00	1.03
ED*4X36F**	*9MPV075	0.98	1.07	EN(A,D,W)4X42*21**	OLV098A12A	0.99	1.07
ED*4X36F**	*9MVX040	0.99	1.10	EN(A,D,W)4X42*21**	OLV112A16A	0.99	1.05
ED*4X36F**	*9MVX060	0.99	1.07	EN(A,D,W)4X42*21**	OMV098J12A	0.99	1.07
ED*4X36F**	OLV098A12A	0.98	1.07	EN(A,D,W)4X42*21**	OMV112K14A	0.99	1.05
ED*4X36F**	OLV112A16A	0.99	1.05	EN(A,D,W)4X42*21**	-	1.00	1.08
ED*4X36F**	OMV098J12A	0.99	1.08	END4X42*17**	*8MV*0901716**	0.98	1.02
ED*4X36F**	OMV112K14A	0.98	1.05	END4X42*17**	*8MX*0701716**	0.99	1.04

HEATING Multiplying Factors for other Indoor Combinations

Indoor Model	Furnace Model	CAPACITY (MBh)	Power (AMPS)	Indoor Model	Furnace Model	CAPACITY (MBh)	Power (AMPS)
ED*4X36F**	-	1.00	1.09	END4X42*17**	*9MA*0601714A**	0.98	1.05
ED*4X36J**	MV16J22**B*	0.97	1.01	END4X42*17**	*9MA*0801714A**	0.98	1.04
ED*4X36J**	NOMV156E19*	0.97	1.05	END4X42*17**	*9MV*0601714A**	0.99	1.05
ED*4X36J**	*8MPV100	0.99	1.02	END4X42*17**	*9MV*0801716A**	0.99	1.03
ED*4X36J**	*8MPV125	0.98	1.01	END4X42*17**	*9MX*0601714A**	0.99	1.04
ED*4X36J**	*9MA*1002120A**	0.97	1.05	END4X42*17**	*9MX*0801716A**	0.98	1.03
ED*4X36J**	*9MPV100	0.99	1.04	END4X42*17**	NOMV106D12*	0.98	1.04
ED*4X36J**	*9MV*1002116A**	0.98	1.04	END4X42*17**	OLV098A12A	0.99	1.05
ED*4X36J**	*9MVX080	1.00	1.04	END4X42*17**	OMV098J12A	0.99	1.05
ED*4X36J**	OLV112A16A	0.99	1.05	END4X42*17**	OMV112K14A	0.99	1.03
ED*4X36J**	-	1.00	1.09	END4X42*17**	-	1.00	1.06
ED*4X42F**	*9MA*0601714A**	0.98	1.07	ENH4X36*17**	*8MV*0701412**	0.97	1.06
ED*4X42F**	*9MA*0801714A**	0.97	1.05	ENH4X36*17**	*8MV*0901716**	0.97	1.05
ED*4X42F**	*9MV*0601714A**	0.99	1.06	ENH4X36*17**	*8MV*1102120**	0.97	1.05
ED*4X42F**	*9MV*0801716A**	0.99	1.05	ENH4X36*17**	*8MV*1352422**	0.97	1.04
ED*4X42F**	*9MX*0601714A**	0.99	1.05	ENH4X36*17**	*8MX*0451408**	0.99	1.10
ED*4X42F**	*9MX*0801716A**	0.98	1.04	ENH4X36*17**	*8MX*0701716**	0.98	1.07
ED*4X42F**	MV12F19**B*	0.97	1.00	ENH4X36*17**	*8MX*0902116**	0.97	1.04
ED*4X42F**	NOMV106D12*	0.98	1.05	ENH4X36*17**	*8MX*1102120**	0.97	1.03
ED*4X42F**	*8MPV075	0.99	1.04	ENH4X36*17**	*9MA*0601714A**	0.97	1.08
ED*4X42F**	*9MPV050	0.99	1.08	ENH4X36*17**	*9MA*0801714A**	0.97	1.07
ED*4X42F**	*9MPV075	0.99	1.07	ENH4X36*17**	*9MA*1202422A**	0.97	1.05
ED*4X42F**	*9MVX040	0.99	1.08	ENH4X36*17**	*9MV*0601714A**	0.98	1.08
ED*4X42F**	*9MVX060	0.99	1.06	ENH4X36*17**	*9MV*0801716A**	0.98	1.07
ED*4X42F**	OLV098A12A	0.99	1.07	ENH4X36*17**	*9MV*1202422A**	0.97	1.05
ED*4X42F**	OLV112A16A	0.99	1.05	ENH4X36*17**	*9MX*0601714A**	0.98	1.07
ED*4X42F**	OMV098J12A	0.99	1.06	ENH4X36*17**	*9MX*0801716A**	0.97	1.06
ED*4X42F**	OMV112K14A	0.98	1.04	ENH4X36*17**	MV08B15**B*	0.97	1.04
ED*4X42J**	-	1.00	1.08	ENH4X36*17**	MV12F19**B*	0.97	1.02
ED*4X42J**	MV16J22**B*	0.97	1.00	ENH4X36*17**	MV16J22**B*	0.97	1.02
ED*4X42J**	NOMV156E19*	0.97	1.04	ENH4X36*17**	MV20L24**B*	0.97	1.02
ED*4X42J**	*8MPV100	0.99	1.02	ENH4X36*17**	NOMV106D12*	0.97	1.07
ED*4X42J**	*8MPV125	0.99	1.01	ENH4X36*17**	NOMV156E19*	0.97	1.06
ED*4X42J**	*9MA*1002120A**	0.98	1.04	ENH4X36*17**	*8MPV050	0.98	1.10
ED*4X42J**	*9MPV100	0.99	1.03	ENH4X36*17**	*8MPV075	0.98	1.07

HEATING Multiplying Factors for other Indoor Combinations

Indoor Model	Furnace Model	CAPACITY (MBh)	Power (AMPS)	Indoor Model	Furnace Model	CAPACITY (MBh)	Power (AMPS)
ED*4X42J**	*9MV*1002116A**	0.99	1.04	ENH4X36*17**	*8MPV100	0.98	1.04
ED*4X42J**	*9MVX080	1.00	1.03	ENH4X36*17**	*8MPV125	0.98	1.04
ED*4X42J**	OLV112A16A	0.99	1.04	ENH4X36*17**	*9MA*1002120A**	0.98	1.07
ED*4X42L**	-	1.00	1.08	ENH4X36*17**	*9MPV050	0.99	1.10
ED*4X42L**	*8MV*1352422**	0.97	1.01	ENH4X36*17**	*9MPV075	0.98	1.09
ED*4X42L**	*9MA*1202422A**	0.97	1.03	ENH4X36*17**	*9MPV100	0.98	1.05
ED*4X42L**	*9MV*1202422A**	0.98	1.03	ENH4X36*17**	*9MPV125	0.98	1.05
ED*4X42L**	MV20L24**B*	0.97	1.00	ENH4X36*17**	*9MV*1002116A**	0.98	1.05
ED*4X42L**	NOMV156E19*	0.98	1.04	ENH4X36*17**	*9MVX040	0.99	1.10
ED*4X42L**	*9MA*1002120A**	0.98	1.04	ENH4X36*17**	*9MVX060	0.98	1.08
ED*4X42L**	*9MPV125	0.99	1.02	ENH4X36*17**	*9MVX080	0.99	1.05
ED*4X42L**	*9MV*1002116A**	0.99	1.03	ENH4X36*17**	*9MVX100	0.98	1.05
ED*4X42L**	*9MVX100	0.99	1.02	ENH4X36*17**	OLV098A12A	0.98	1.08
ED*4X42L**	OLV112A16A	0.99	1.04	ENH4X36*17**	OLV112A16A	0.99	1.07
ED*4X42L**	OLV154F20A	1.00	1.01	ENH4X36*17**	OLV154F20A	1.00	1.03
ED*4X42L**	-	1.01	1.08	ENH4X36*17**	OMV098J12A	0.99	1.08
EHD4X36A**	*8MV*0701412**	0.98	1.04	ENH4X36*17**	OMV112K14A	0.98	1.07
EHD4X36A**	*8MV*0901716**	0.98	1.01	ENH4X36*17**	-	1.00	1.10
EHD4X36A**	*8MV*1102120**	0.98	1.01	ENH4X42*21**	*8MV*0701412**	0.98	1.05
EHD4X36A**	*8MV*1352422**	0.98	1.01	ENH4X42*21**	*8MV*0901716**	0.97	1.03
EHD4X36A**	*8MX*0451408**	1.00	1.06	ENH4X42*21**	*8MV*1102120**	0.97	1.03
EHD4X36A**	*8MX*0701716**	0.99	1.04	ENH4X42*21**	*8MV*1352422**	0.97	1.03
EHD4X36A**	*8MX*0902116**	0.98	1.01	ENH4X42*21**	*8MX*0451408**	0.99	1.08
EHD4X36A**	*8MX*1102120**	0.98	1.00	ENH4X42*21**	*8MX*0701716**	0.98	1.05
EHD4X36A**	*9MA*0601714A**	0.98	1.05	ENH4X42*21**	*8MX*0902116**	0.98	1.02
EHD4X36A**	*9MA*0602120A**	0.98	1.04	ENH4X42*21**	*8MX*1102120**	0.98	1.01
EHD4X36A**	*9MA*0801714A**	0.98	1.04	ENH4X42*21**	*9MA*0601714A**	0.98	1.07
EHD4X36A**	*9MA*1002122A**	0.98	1.01	ENH4X42*21**	*9MA*0602120A**	0.98	1.05
EHD4X36A**	*9MA*1202422A**	0.98	1.03	ENH4X42*21**	*9MA*0801714A**	0.98	1.05
EHD4X36A**	*9MV*0601714A**	0.99	1.04	ENH4X42*21**	*9MA*0802120A**	0.97	1.03
EHD4X36A**	*9MV*0801716A**	0.99	1.03	ENH4X42*21**	*9MA*1002122A**	0.98	1.03
EHD4X36A**	*9MV*0802120A**	0.98	1.01	ENH4X42*21**	*9MA*1202422A**	0.98	1.04
EHD4X36A**	*9MV*1002120A**	0.98	1.02	ENH4X42*21**	*9MV*0601714A**	0.99	1.06
EHD4X36A**	*9MV*1202422A**	0.98	1.01	ENH4X42*21**	*9MV*0801716A**	0.99	1.05
EHD4X36A**		0.98	1.01	ENH4X42*21**	*9MV*0802120A**	0.98	1.03

HEATING Multiplying Factors for other Indoor Combinations

Indoor Model	Furnace Model	CAPACITY (MBh)	Power (AMPS)	Indoor Model	Furnace Model	CAPACITY (MBh)	Power (AMPS)
EHD4X36A**	*9MX*0601714A**	0.99	1.04	ENH4X42*21**	*9MV*1002120A**	0.98	1.03
EHD4X36A**	*9MX*0801716A**	0.99	1.03	ENH4X42*21**	*9MV*1202422A**	0.98	1.03
EHD4X36A**	MV08B15**B*	0.98	1.00	ENH4X42*21**	*9MX*0601714A**	0.99	1.05
EHD4X36A**	MV12F19**B*	0.98	0.99	ENH4X42*21**	*9MX*0801716A**	0.98	1.05
EHD4X36A**	MV16J22**B*	0.98	0.99	ENH4X42*21**	MV08B15**B*	0.98	1.02
EHD4X36A**	MV20L24**B*	0.98	0.99	ENH4X42*21**	MV12F19**B*	0.97	1.00
EHD4X36A**	*8MPV050	1.00	1.08	ENH4X42*21**	MV16J22**B*	0.97	1.00
EHD4X36A**	*8MPV075	0.99	1.03	ENH4X42*21**	MV20L24**B*	0.97	1.00
EHD4X36A**	*8MPV100	1.00	1.01	ENH4X42*21**	NOMV106D12*	0.97	1.05
EHD4X36A**	*8MPV125	0.99	1.00	ENH4X42*21**	NOMV156E19*	0.97	1.04
EHD4X36A**	*9MA*1002120A**	0.98	1.03	ENH4X42*21**	*8MPV050	0.99	1.08
EHD4X36A**	*9MPV050	1.00	1.07	ENH4X42*21**	*8MPV075	0.99	1.04
EHD4X36A**	*9MPV075	0.99	1.05	ENH4X42*21**	*8MPV100	0.99	1.03
EHD4X36A**	*9MPV100	1.00	1.03	ENH4X42*21**	*8MPV125	0.99	1.02
EHD4X36A**	*9MPV125	0.99	1.01	ENH4X42*21**	*9MA*1002120A**	0.98	1.04
EHD4X36A**	*9MV*1002116A**	0.99	1.03	ENH4X42*21**	*9MPV050	0.99	1.08
EHD4X36A**	*9MVX040	1.00	1.07	ENH4X42*21**	*9MPV075	0.99	1.07
EHD4X36A**	*9MVX060	1.00	1.05	ENH4X42*21**	*9MPV100	0.99	1.04
EHD4X36A**	*9MVX080	1.00	1.02	ENH4X42*21**	*9MPV125	0.99	1.03
EHD4X36A**	*9MVX100	0.99	1.02	ENH4X42*21**	*9MV*1002116A**	0.99	1.04
EHD4X36A**	OLV098A12A	0.99	1.05	ENH4X42*21**	*9MVX040	0.99	1.08
EHD4X36A**	OLV112A16A	1.00	1.03	ENH4X42*21**	*9MVX060	0.99	1.06
EHD4X36A**	OLV154F20A	1.00	0.99	ENH4X42*21**	*9MVX080	0.99	1.03
EHD4X36A**	OMV098J12A	0.99	1.05	ENH4X42*21**	*9MVX100	0.98	1.03
EHD4X36A**	OMV112K14A	0.99	1.03	ENH4X42*21**	OLV098A12A	0.99	1.07
EHD4X42A**	-	1.00	1.06	ENH4X42*21**	OLV112A16A	0.99	1.05
EHD4X42A**	*8MV*0701412**	0.98	1.03	ENH4X42*21**	OLV154F20A	1.00	1.01
EHD4X42A**	*8MV*0901716**	0.98	1.00	ENH4X42*21**	OMV098J12A	0.99	1.07
EHD4X42A**	*8MV*1102120**	0.98	1.01	ENH4X42*21**	OMV112K14A	0.99	1.05
EHD4X42A**	*8MV*1352422**	0.98	1.00	ENH4X42*21**	-	1.01	1.09
EHD4X42A**	*8MX*0451408**	1.00	1.05	ENH4X43*21**	*8MV*0701412**	0.99	1.01
EHD4X42A**	*8MX*0701716**	0.99	1.03	ENH4X43*21**	*8MV*0901716**	0.98	0.99
EHD4X42A**	*8MX*0902116**	0.99	1.00	ENH4X43*21**	*8MV*1102120**	0.99	0.99
EHD4X42A**	*8MX*1102120**	0.99	0.99	ENH4X43*21**	*8MV*1352422**	0.98	0.98
EHD4X42A**	*9MA*0601714A**	0.98	1.04	ENH4X43*21**	*8MX*0451408**	1.00	1.03

HEATING Multiplying Factors for other Indoor Combinations

Indoor Model	Furnace Model	CAPACITY (MBh)	Power (AMPS)	Indoor Model	Furnace Model	CAPACITY (MBh)	Power (AMPS)
EHD4X42A**	*9MA*0602120A**	0.98	1.03	ENH4X43*21**	*8MX*0701716**	1.00	1.02
EHD4X42A**	*9MA*0801714A**	0.98	1.03	ENH4X43*21**	*8MX*0902116**	0.99	0.98
EHD4X42A**	*9MA*0802120A**	0.98	1.01	ENH4X43*21**	*8MX*1102120**	0.99	0.97
EHD4X42A**	*9MA*1002122A**	0.98	1.00	ENH4X43*21**	*9MA*0601714A**	0.99	1.02
EHD4X42A**	*9MA*1202422A**	0.98	1.01	ENH4X43*21**	*9MA*0801714A**	0.99	1.01
EHD4X42A**	*9MV*0601714A**	1.00	1.04	ENH4X43*21**	*9MA*1202422A**	0.99	0.99
EHD4X42A**	*9MV*0801716A**	0.99	1.02	ENH4X43*21**	*9MV*0601714A**	1.00	1.02
EHD4X42A**	*9MV*0802120A**	0.99	1.01	ENH4X43*21**	*9MV*0801716A**	0.99	1.01
EHD4X42A**	*9MV*1002120A**	0.98	1.00	ENH4X43*21**	*9MV*1202422A**	0.99	0.99
EHD4X42A**	*9MV*1202422A**	0.99	1.01	ENH4X43*21**	*9MX*0601714A**	1.00	1.01
EHD4X42A**	*9MX*0601714A**	1.00	1.03	ENH4X43*21**	*9MX*0801716A**	0.99	1.00
EHD4X42A**	*9MX*0801716A**	0.99	1.02	ENH4X43*21**	MV08B15**B*	0.99	0.98
EHD4X42A**	MV08B15**B*	0.98	0.99	ENH4X43*21**	MV12F19**B*	0.98	0.96
EHD4X42A**	MV12F19**B*	0.98	0.99	ENH4X43*21**	MV16J22**B*	0.98	0.96
EHD4X42A**	MV16J22**B*	0.98	0.98	ENH4X43*21**	MV20L24**B*	0.98	0.96
EHD4X42A**	MV20L24**B*	0.98	0.99	ENH4X43*21**	NOMV106D12*	0.98	1.00
EHD4X42A**	*8MPV050	1.00	1.07	ENH4X43*21**	NOMV156E19*	0.98	0.99
EHD4X42A**	*8MPV075	1.00	1.02	ENH4X43*21**	*8MPV050	1.00	1.04
EHD4X42A**	*8MPV100	1.00	0.99	ENH4X43*21**	*8MPV075	1.00	0.99
EHD4X42A**	*8MPV125	1.00	0.99	ENH4X43*21**	*8MPV100	1.00	0.97
EHD4X42A**	*9MA*1002120A**	0.99	1.03	ENH4X43*21**	*8MPV125	1.00	0.97
EHD4X42A**	*9MPV050	1.00	1.05	ENH4X43*21**	*9MA*1002120A**	0.99	1.00
EHD4X42A**	*9MPV075	1.00	1.04	ENH4X43*21**	*9MPV050	1.00	1.03
EHD4X42A**	*9MPV100	1.00	1.01	ENH4X43*21**	*9MPV075	1.00	1.02
EHD4X42A**	*9MPV125	1.00	1.00	ENH4X43*21**	*9MPV100	1.00	0.98
EHD4X42A**	*9MV*1002116A**	0.99	1.02	ENH4X43*21**	*9MPV125	1.00	0.98
EHD4X42A**	*9MVX040	1.00	1.06	ENH4X43*21**	*9MV*1002116A**	0.99	1.00
EHD4X42A**	*9MVX060	1.00	1.03	ENH4X43*21**	*9MVX040	1.00	1.04
EHD4X42A**	*9MVX080	1.00	1.01	ENH4X43*21**	*9MVX060	1.00	1.01
EHD4X42A**	*9MVX100	0.99	1.00	ENH4X43*21**	*9MVX080	1.00	0.98
EHD4X42A**	OLV098A12A	0.99	1.04	ENH4X43*21**	*9MVX100	1.00	0.98
EHD4X42A**	OLV112A16A	1.00	1.02	ENH4X43*21**	OLV098A12A	1.00	1.02
EHD4X42A**	OLV154F20A	1.00	0.98	ENH4X43*21**	OLV112A16A	1.00	1.00
EHD4X42A**	OMV098J12A	1.00	1.04	ENH4X43*21**	OLV154F20A	1.00	0.96
EHD4X42A**	OMV112K14A	0.99	1.02	ENH4X43*21**	OMV098J12A	1.00	1.02

HEATING Multiplying Factors for other Indoor Combinations						
Indoor Model	Furnace Model	CAPACITY (MBh)	Power (AMPS)	Indoor Model	Furnace Model	Power (AMPS)
EHD4X42A**	-	1.00	1.05	ENH4X43*21**	OMV112K14A	1.01
EMA4X36D**	-	1.00	1.10	ENH4X43*21**	-	1.03
EN(A,D)4X36*21**	*8MV*1102120**	0.97	1.05	FEA4X36**A*	-	1.07
EN(A,D)4X36*21**	*8MX*0902116**	0.97	1.04	FEM4P36**A*	-	1.07
EN(A,D)4X36*21**	*8MX*1102120**	0.97	1.03	FEM4P36**A*	-	1.06
EN(A,D)4X36*21**	*9MA*0601714A**	0.97	1.08	FEM4P42**A*	-	1.02
EN(A,D)4X36*21**	*9MA*0602120A**	0.97	1.07	FEM4P42**A*	-	1.01
EN(A,D)4X36*21**	*9MA*0801714A**	0.97	1.07	FEM4P48**A*	-	1.02
EN(A,D)4X36*21**	*9MA*0802120A**	0.97	1.05	FEM4X36****	-	1.03
EN(A,D)4X36*21**	*9MA*1002122A**	0.97	1.04	FEM4X42****	-	1.03
EN(A,D)4X36*21**	*9MV*0601714A**	0.98	1.08	FS(M,U)4P36**A*	-	1.07
EN(A,D)4X36*21**	*9MV*0801716A**	0.98	1.06	FS(M,U)4P36**A*	-	1.07
EN(A,D)4X36*21**	*9MV*0802120A**	0.97	1.05	FS(M,U)4P42**A*	-	1.04
EN(A,D)4X36*21**	*9MV*1002120A**	0.97	1.05	FS(M,U)4P42**A*	-	1.04
EN(A,D)4X36*21**	*9MX*0601714A**	0.98	1.07	FS(M,U)4X42****	-	1.10
EN(A,D)4X36*21**	*9MX*0801716A**	0.98	1.06	FSA4X36**A*	-	1.11
EN(A,D)4X36*21**	NOMV156E19*	0.97	1.05	FSM4X36****	-	1.07
EN(A,D)4X36*21**	*9MA*1002120A**	0.98	1.06	FSU4X36****	-	1.10
EN(A,D)4X36*21**	*9MPV100	0.99	1.05	FVM4X24****	-	1.04
EN(A,D)4X36*21**	*9MV*1002116A**	0.98	1.06	FVM4X36****	-	1.03
EN(A,D)4X36*21**	*9MVX080	0.99	1.05	FVM4X48****	-	0.98
EN(A,D)4X36*21**	OLV098A12A	0.98	1.08	FVM4X60****	-	0.96
				FXM4X42**A*	-	1.01
				FXM4X48**A*	-	0.98
HEATING Multiplying Factors for other Indoor Combinations						
Indoor Model	Furnace Model	CAPACITY (MBh)	Power (AMPS)	Indoor Model	Furnace Model	Power (AMPS)
(C,H,T)XH542						
*FXM4X42**A*	-	1.00	1.00	EHD4X48A**	MV12F19**B*	0.99
EA*4X42*21A*	*8MV*1102120**	1.01	1.05	EHD4X48A**	MV16J22**B*	0.98
EA*4X42*21A*	*8MX*0902116**	1.01	1.05	EHD4X48A**	MV20L24**B*	0.99
EA*4X42*21A*	*8MX*1102120**	1.01	1.03	EHD4X48A**	NOMV156E19*	1.02
EA*4X42*21A*	*9MA*0601714A**	1.01	1.09	EHD4X48A**	*8MPV075	1.02
EA*4X42*21A*	*9MA*0602120A**	1.01	1.07	EHD4X48A**	*8MPV100	0.99
EA*4X42*21A*	*9MA*0801714A**	1.01	1.07	EHD4X48A**	*8MPV125	0.99

HEATING Multiplying Factors for other Indoor Combinations

Indoor Model	Furnace Model	CAPACITY (MBh)	Power (AMPS)	Indoor Model	Furnace Model	CAPACITY (MBh)	Power (AMPS)
EA*4X42*21A*	*9MA*0802120A**	1.00	1.05	EHD4X48A**	*9MA*1002120A**	1.01	1.03
EA*4X42*21A*	*9MA*1002122A**	1.01	1.05	EHD4X48A**	*9MPV075	1.01	1.04
EA*4X42*21A*	*9MV*0601714A**	1.01	1.07	EHD4X48A**	*9MPV100	1.01	1.00
EA*4X42*21A*	*9MV*0801716A**	1.01	1.07	EHD4X48A**	*9MPV125	1.01	1.00
EA*4X42*21A*	*9MV*0802120A**	1.01	1.05	EHD4X48A**	*9MV*1002116A**	1.01	1.02
EA*4X42*21A*	*9MV*1002120A**	1.01	1.05	EHD4X48A**	*9MVX060	1.01	1.03
EA*4X42*21A*	*9MX*0601714A**	1.01	1.07	EHD4X48A**	*9MVX080	1.01	1.00
EA*4X42*21A*	*9MX*0801716A**	1.01	1.06	EHD4X48A**	*9MVX100	1.01	1.01
EA*4X42*21A*	*9MX*0802120A**	1.01	1.04	EHD4X48A**	*9MX*1002116A**	1.01	1.02
EA*4X42*21A*	*9MX*1002120A**	1.01	1.05	EHD4X48A**	OLV112A16A	1.01	1.02
EA*4X42*21A*	*9MA*1002120A**	1.01	1.07	EHD4X48A**	OLV154F20A	1.01	0.98
EA*4X42*21A*	*9MV*1002116A**	1.01	1.06	EHD4X48A**	OMV112K14A	1.01	1.02
EA*4X42*21A*	*9MX*1002116A**	1.01	1.06	EHD4X48A**	-	1.01	1.02
EA*4X42*21A*	-	1.01	1.06	EMA4X48D**	-	1.01	1.05
EA*4X42*24A*	*8MV*1352422**	1.01	1.04	EN(A,D)4X43*24**	*8MV*1102120**	1.01	0.99
EA*4X42*24A*	*8MX*1352420**	1.01	1.03	EN(A,D)4X43*24**	*8MV*1352422**	1.01	0.98
EA*4X42*24A*	*9MA*1202422A**	1.00	1.04	EN(A,D)4X43*24**	*8MX*1102120**	1.01	0.97
EA*4X42*24A*	*9MV*1202422A**	1.01	1.05	EN(A,D)4X43*24**	*8MX*1352420**	1.01	0.98
EA*4X42*24A*	*9MX*1202422A**	1.01	1.03	EN(A,D)4X43*24**	*9MA*1202422A**	1.01	1.00
EA*4X42*24A*	*9MA*1002120A**	1.01	1.06	EN(A,D)4X43*24**	*9MV*1202422A**	1.01	1.00
EA*4X42*24A*	*9MV*1002116A**	1.01	1.05	EN(A,D)4X43*24**	*9MX*1202422A**	1.01	0.97
EA*4X42*24A*	*9MX*1002116A**	1.01	1.06	EN(A,D)4X43*24**	*9MA*1002120A**	1.01	1.01
EA*4X42*24A*	-	1.01	1.06	EN(A,D)4X43*24**	*9MPV100	1.01	0.98
EA*4X48*17A*	*8MV*0901716**	1.01	1.01	EN(A,D)4X43*24**	*9MPV125	1.01	0.98
EA*4X48*17A*	*8MX*0701716**	1.01	1.03	EN(A,D)4X43*24**	*9MV*1002116A**	1.01	1.01
EA*4X48*17A*	*9MA*0601714A**	1.01	1.05	EN(A,D)4X43*24**	*9MVX080	1.01	0.98
EA*4X48*17A*	*9MA*0801714A**	1.01	1.03	EN(A,D)4X43*24**	*9MVX100	1.01	0.98
EA*4X48*17A*	*9MV*0601714A**	1.01	1.03	EN(A,D)4X43*24**	*9MX*1002116A**	1.01	1.00
EA*4X48*17A*	*9MV*0801716A**	1.01	1.03	EN(A,D)4X43*24**	OLV112A16A	1.01	1.00
EA*4X48*17A*	*9MX*0601714A**	1.01	1.03	EN(A,D)4X43*24**	OLV154F20A	1.01	0.96
EA*4X48*17A*	*9MX*0801716A**	1.01	1.02	EN(A,D)4X43*24**	-	1.01	1.01
EA*4X48*17A*	-	1.01	1.02	EN(A,D)4X48*24**	*8MV*1352422**	1.01	1.01
EA*4X48*21A*	*8MV*1102120**	1.01	1.02	EN(A,D)4X48*24**	*8MX*1352420**	1.01	1.00
EA*4X48*21A*	*8MX*0902116**	1.01	1.01	EN(A,D)4X48*24**	*9MA*1202422A**	1.01	1.03
EA*4X48*21A*	*8MX*1102120**	1.01	1.01	EN(A,D)4X48*24**	*9MV*1202422A**	1.01	1.01

HEATING Multiplying Factors for other Indoor Combinations

Indoor Model	Furnace Model	Indoor Model	Power (AMPS)	CAPACITY (MBh)	Power (AMPS)	Furnace Model	Indoor Model	Power (AMPS)	CAPACITY (MBh)	Power (AMPS)
EA*4X48*21A*	*9MA*0601714A**	EN(A,D)4X48*24**	1.06	1.01	1.06	*9MA*0601714A**	EN(A,D)4X48*24**	1.06	1.01	1.06
EA*4X48*21A*	*9MA*0602120A**	EN(A,D)4X48*24**	1.05	1.01	1.05	*9MA*0602120A**	EN(A,D)4X48*24**	1.05	1.01	1.05
EA*4X48*21A*	*9MA*0801714A**	EN(A,D)4X48*24**	1.05	1.01	1.05	*9MA*0801714A**	EN(A,D)4X48*24**	1.05	1.01	1.05
EA*4X48*21A*	*9MA*0802120A**	EN(A,D)4X48*24**	1.03	1.01	1.03	*9MA*0802120A**	EN(A,D)4X48*24**	1.03	1.01	1.03
EA*4X48*21A*	*9MA*1002122A**	EN(A,D)4X48*24**	1.02	1.01	1.02	*9MA*1002122A**	EN(A,D)4X48*24**	1.02	1.01	1.02
EA*4X48*21A*	*9MV*0601714A**	EN(A,D)4X48*24**	1.05	1.01	1.05	*9MV*0601714A**	EN(A,D)4X48*24**	1.05	1.01	1.05
EA*4X48*21A*	*9MV*0801716A**	EN(A,D)4X48*24**	1.04	1.01	1.04	*9MV*0801716A**	EN(A,D)4X48*24**	1.04	1.01	1.04
EA*4X48*21A*	*9MV*0802120A**	EN(A,D)4X48*24**	1.02	1.01	1.02	*9MV*0802120A**	EN(A,D)4X48*24**	1.02	1.01	1.02
EA*4X48*21A*	*9MV*1002120A**	EN(A,D)4X48*24**	1.02	1.01	1.02	*9MV*1002120A**	EN(A,D)4X48*24**	1.02	1.01	1.02
EA*4X48*21A*	*9MX*0601714A**	EN(A,D)4X48*24**	1.04	1.01	1.04	*9MX*0601714A**	EN(A,D)4X48*24**	1.04	1.01	1.04
EA*4X48*21A*	*9MX*0801716A**	EN(A,D)4X48*24**	1.03	1.01	1.03	*9MX*0801716A**	EN(A,D)4X48*24**	1.03	1.01	1.03
EA*4X48*21A*	*9MX*0802120A**	EN(A,D,W)4X42*21**	1.01	1.01	1.01	*9MX*0802120A**	EN(A,D,W)4X42*21**	1.01	1.01	1.01
EA*4X48*21A*	*9MX*1002120A**	EN(A,D,W)4X42*21**	1.02	1.01	1.02	*9MX*1002120A**	EN(A,D,W)4X42*21**	1.02	1.01	1.02
EA*4X48*21A*	*9MA*1002120A**	EN(A,D,W)4X42*21**	1.04	1.01	1.04	*9MA*1002120A**	EN(A,D,W)4X42*21**	1.04	1.01	1.04
EA*4X48*21A*	*9MV*1002116A**	EN(A,D,W)4X42*21**	1.03	1.01	1.03	*9MV*1002116A**	EN(A,D,W)4X42*21**	1.03	1.01	1.03
EA*4X48*21A*	*9MX*1002116A**	EN(A,D,W)4X42*21**	1.03	1.01	1.03	*9MX*1002116A**	EN(A,D,W)4X42*21**	1.03	1.01	1.03
EA*4X48*21A*	-	EN(A,D,W)4X42*21**	1.03	1.01	1.03	*9MA*0801714A**	EN(A,D,W)4X42*21**	1.03	1.01	1.03
EA*4X48*24A*	*8MV*1352422**	EN(A,D,W)4X42*21**	1.01	1.01	1.01	*9MA*0802120A**	EN(A,D,W)4X42*21**	1.01	1.01	1.01
EA*4X48*24A*	*8MX*1352420**	EN(A,D,W)4X42*21**	1.01	1.01	1.01	*9MA*1002122A**	EN(A,D,W)4X42*21**	1.01	1.01	1.01
EA*4X48*24A*	*9MA*1202422A**	EN(A,D,W)4X42*21**	1.03	1.01	1.03	*9MV*0601714A**	EN(A,D,W)4X42*21**	1.03	1.01	1.03
EA*4X48*24A*	*9MV*1202422A**	EN(A,D,W)4X42*21**	1.02	1.01	1.02	*9MV*0801716A**	EN(A,D,W)4X42*21**	1.02	1.01	1.02
EA*4X48*24A*	*9MX*1202422A**	EN(A,D,W)4X42*21**	1.00	1.01	1.00	*9MV*0802120A**	EN(A,D,W)4X42*21**	1.00	1.01	1.00
EA*4X48*24A*	*9MA*1002120A**	EN(A,D,W)4X42*21**	1.03	1.01	1.03	*9MV*1002120A**	EN(A,D,W)4X42*21**	1.03	1.01	1.03
EA*4X48*24A*	*9MV*1002116A**	EN(A,D,W)4X42*21**	1.02	1.01	1.02	*9MX*0601714A**	EN(A,D,W)4X42*21**	1.02	1.01	1.02
EA*4X48*24A*	*9MX*1002116A**	EN(A,D,W)4X42*21**	1.03	1.01	1.03	*9MX*0801716A**	EN(A,D,W)4X42*21**	1.03	1.01	1.03
EA*4X48*24A*	-	EN(A,D,W)4X42*21**	1.03	1.01	1.03	*9MA*0601714A**	EN(A,D,W)4X42*21**	1.03	1.01	1.03
ED*4X42F**	*9MA*0601714A**	EN(A,D,W)4X42*21**	1.09	1.01	1.09	NOMV156E19*	EN(A,D,W)4X42*21**	1.09	1.01	1.09
ED*4X42F**	*9MA*0801714A**	EN(A,D,W)4X42*21**	1.08	1.01	1.08	*9MA*1002120A**	EN(A,D,W)4X42*21**	1.08	1.01	1.08
ED*4X42F**	*9MV*0601714A**	EN(A,D,W)4X42*21**	1.08	1.01	1.08	*9MA*1002120A**	EN(A,D,W)4X42*21**	1.08	1.01	1.08
ED*4X42F**	*9MV*0801716A**	EN(A,D,W)4X42*21**	1.07	1.01	1.07	*9MPV100	EN(A,D,W)4X42*21**	1.07	1.01	1.07
ED*4X42F**	*9MX*0601714A**	EN(A,D,W)4X42*21**	1.07	1.01	1.07	*9MV*1002116A**	EN(A,D,W)4X42*21**	1.07	1.01	1.07
ED*4X42F**	*9MX*0801716A**	EN(A,D,W)4X42*21**	1.06	1.01	1.06	*9MV*1002116A**	EN(A,D,W)4X42*21**	1.06	1.01	1.06
ED*4X42F**	MV12F19**B*	EN(A,D,W)4X42*21**	1.03	1.01	1.03	*9MVX080	EN(A,D,W)4X42*21**	1.03	1.01	1.03
ED*4X42F**	*8MPV075	EN(A,D,W)4X42*21**	1.06	1.01	1.06	*9MX*1002116A**	EN(A,D,W)4X42*21**	1.06	1.01	1.06
ED*4X42F**	*9MPV075	EN(A,D,W)4X42*21**	1.09	1.01	1.09	OLV112A16A	EN(A,D,W)4X42*21**	1.09	1.01	1.09

HEATING Multiplying Factors for other Indoor Combinations

Indoor Model	Furnace Model	Capacity (MBh)	Power (AMPS)	Indoor Model	Furnace Model	Capacity (MBh)	Power (AMPS)
ED*4X42F**	*9MPVX060	1.01	1.07	EN(A,D,W)4X42*21**	OMV112K14A	1.01	1.07
ED*4X42F**	OLV112A16A	1.01	1.06	EN(A,D,W)4X42*21**	-	1.01	1.06
ED*4X42F**	OMV112K14A	1.01	1.07	EN(A,D,W)4X48*21**	*8MV*1102120**	1.01	1.01
ED*4X42F**	-	1.01	1.06	EN(A,D,W)4X48*21**	*8MX*0902116**	1.01	1.01
ED*4X42J**	*8MV*1102120**	1.01	1.05	EN(A,D,W)4X48*21**	*8MX*1102120**	1.01	1.00
ED*4X42J**	*8MX*0902116**	1.01	1.05	EN(A,D,W)4X48*21**	*9MA*0601714A**	1.01	1.05
ED*4X42J**	*8MX*1102120**	1.01	1.03	EN(A,D,W)4X48*21**	*9MA*0602120A**	1.01	1.04
ED*4X42J**	MV16J22**B*	1.01	1.02	EN(A,D,W)4X48*21**	*9MA*0801714A**	1.01	1.04
ED*4X42J**	NOMV156E19*	1.01	1.06	EN(A,D,W)4X48*21**	*9MA*0802120A**	1.01	1.03
ED*4X42J**	*8MPV100	1.01	1.03	EN(A,D,W)4X48*21**	*9MA*1002122A**	1.01	1.01
ED*4X42J**	*8MPV125	1.01	1.03	EN(A,D,W)4X48*21**	*9MV*0601714A**	1.01	1.04
ED*4X42J**	*9MA*1002120A**	1.01	1.07	EN(A,D,W)4X48*21**	*9MV*0801716A**	1.01	1.03
ED*4X42J**	*9MPV100	1.01	1.05	EN(A,D,W)4X48*21**	*9MV*0802120A**	1.01	1.01
ED*4X42J**	*9MV*1002116A**	1.01	1.06	EN(A,D,W)4X48*21**	*9MV*1002120A**	1.01	1.01
ED*4X42J**	*9MVX080	1.01	1.04	EN(A,D,W)4X48*21**	*9MX*0601714A**	1.01	1.03
ED*4X42J**	*9MX*1002116A**	1.01	1.06	EN(A,D,W)4X48*21**	*9MX*0801716A**	1.01	1.02
ED*4X42J**	OLV112A16A	1.01	1.06	EN(A,D,W)4X48*21**	*9MX*0802120A**	1.01	1.01
ED*4X42J**	-	1.01	1.06	EN(A,D,W)4X48*21**	*9MX*1002120A**	1.01	1.01
ED*4X42L**	*8MV*1352422**	1.00	1.03	EN(A,D,W)4X48*21**	NOMV156E19*	1.01	1.02
ED*4X42L**	*8MX*1352420**	1.01	1.03	EN(A,D,W)4X48*21**	*9MA*1002120A**	1.01	1.03
ED*4X42L**	*9MA*1202422A**	1.00	1.04	EN(A,D,W)4X48*21**	*9MPV100	1.01	1.01
ED*4X42L**	*9MV*1202422A**	1.01	1.05	EN(A,D,W)4X48*21**	*9MV*1002116A**	1.01	1.02
ED*4X42L**	*9MX*1202422A**	1.01	1.03	EN(A,D,W)4X48*21**	*9MVX080	1.01	1.00
ED*4X42L**	MV20L24**B*	1.01	1.02	EN(A,D,W)4X48*21**	*9MX*1002116A**	1.01	1.03
ED*4X42L**	*9MA*1002120A**	1.01	1.06	EN(A,D,W)4X48*21**	OLV112A16A	1.01	1.02
ED*4X42L**	*9MPV125	1.01	1.03	EN(A,D,W)4X48*21**	OMV112K14A	1.01	1.03
ED*4X42L**	*9MV*1002116A**	1.01	1.05	EN(A,D,W)4X48*21**	-	1.01	1.03
ED*4X42L**	*9MVX100	1.01	1.04	END4X42*17**	*8MV*0901716**	1.01	1.04
ED*4X42L**	*9MX*1002116A**	1.01	1.06	END4X42*17**	*8MX*0701716**	1.01	1.06
ED*4X42L**	OLV112A16A	1.01	1.06	END4X42*17**	*9MA*0601714A**	1.01	1.07
ED*4X42L**	OLV154F20A	1.01	1.02	END4X42*17**	*9MA*0801714A**	1.01	1.06
ED*4X42L**	-	1.01	1.06	END4X42*17**	*9MV*0601714A**	1.01	1.06
ED*4X48F**	*8MV*0901716**	1.01	1.01	END4X42*17**	*9MV*0801716A**	1.01	1.06
ED*4X48F**	*8MX*0701716**	1.01	1.03	END4X42*17**	*9MX*0601714A**	1.01	1.06
ED*4X48F**	*9MA*0601714A**	1.01	1.05	END4X42*17**	*9MX*0801716A**	1.01	1.05

HEATING Multiplying Factors for other Indoor Combinations

Indoor Model	Furnace Model	CAPACITY (MBh)	Power (AMPS)	Indoor Model	Furnace Model	CAPACITY (MBh)	Power (AMPS)
ED*4X48F**	*9MA*0801714A**	1.01	1.03	END4X42*17**	*9MVX060	1.01	1.06
ED*4X48F**	*9MV*0601714A**	1.01	1.03	END4X42*17**	OMV112K14A	1.01	1.05
ED*4X48F**	*9MV*0801716A**	1.01	1.03	END4X42*17**	-	1.01	1.05
ED*4X48F**	*9MX*0601714A**	1.01	1.03	ENH4X42*21**	*8MV*0701412**	1.01	1.07
ED*4X48F**	*9MX*0801716A**	1.01	1.02	ENH4X42*21**	*8MV*0901716**	1.01	1.05
ED*4X48F**	MV12F19**B*	1.01	0.99	ENH4X42*21**	*8MV*1102120**	1.01	1.05
ED*4X48F**	*8MPV075	1.01	1.01	ENH4X42*21**	*8MV*1352422**	1.01	1.05
ED*4X48F**	*9MPV075	1.01	1.04	ENH4X42*21**	*8MX*0701716**	1.01	1.07
ED*4X48F**	*9MVX060	1.01	1.03	ENH4X42*21**	*8MX*0902116**	1.01	1.05
ED*4X48F**	OLV112A16A	1.01	1.02	ENH4X42*21**	*8MX*1102120**	1.01	1.05
ED*4X48F**	OMV112K14A	1.01	1.02	ENH4X42*21**	*8MX*1352420**	1.01	1.05
ED*4X48F**	-	1.01	1.02	ENH4X42*21**	*9MA*0601714A**	1.01	1.09
ED*4X48J**	*8MV*1102120**	1.01	1.02	ENH4X42*21**	*9MA*0602120A**	1.01	1.07
ED*4X48J**	*8MX*0902116**	1.01	1.01	ENH4X42*21**	*9MA*0801714A**	1.01	1.08
ED*4X48J**	*8MX*1102120**	1.01	1.01	ENH4X42*21**	*9MA*0802120A**	1.01	1.06
ED*4X48J**	MV16J22**B*	1.01	1.00	ENH4X42*21**	*9MA*1002122A**	1.01	1.05
ED*4X48J**	NOMV156E19*	1.01	1.03	ENH4X42*21**	*9MA*1202422A**	1.01	1.06
ED*4X48J**	*8MPV100	1.01	1.00	ENH4X42*21**	*9MV*0601714A**	1.01	1.08
ED*4X48J**	*8MPV125	1.01	1.00	ENH4X42*21**	*9MV*0801716A**	1.01	1.07
ED*4X48J**	*9MA*1002120A**	1.01	1.04	ENH4X42*21**	*9MV*0802120A**	1.01	1.06
ED*4X48J**	*9MPV100	1.01	1.01	ENH4X42*21**	*9MV*1002120A**	1.01	1.06
ED*4X48J**	*9MV*1002116A**	1.01	1.03	ENH4X42*21**	*9MV*1202422A**	1.01	1.06
ED*4X48J**	*9MVX080	1.01	1.01	ENH4X42*21**	*9MX*0601714A**	1.01	1.07
ED*4X48J**	*9MX*1002116A**	1.01	1.03	ENH4X42*21**	*9MX*0801716A**	1.01	1.06
ED*4X48J**	OLV112A16A	1.01	1.03	ENH4X42*21**	*9MX*0802120A**	1.01	1.05
ED*4X48L**	-	1.01	1.03	ENH4X42*21**	*9MX*1002120A**	1.01	1.06
ED*4X48L**	*8MV*1352422**	1.01	1.01	ENH4X42*21**	*9MX*1202422A**	1.01	1.05
ED*4X48L**	*8MX*1352420**	1.01	1.01	ENH4X42*21**	NOMV156E19*	1.01	1.06
ED*4X48L**	*9MA*1202422A**	1.01	1.03	ENH4X42*21**	*9MA*1002120A**	1.01	1.07
ED*4X48L**	*9MV*1202422A**	1.01	1.02	ENH4X42*21**	*9MPV100	1.01	1.05
ED*4X48L**	*9MX*1202422A**	1.01	1.00	ENH4X42*21**	*9MV*1002116A**	1.01	1.06
ED*4X48L**	MV20L24**B*	1.01	0.99	ENH4X42*21**	*9MA*1002120A**	1.01	1.07
ED*4X48L**	*9MA*1002120A**	1.01	1.03	ENH4X42*21**	*9MPV060	1.01	1.05
ED*4X48L**	*9MPV125	1.01	1.01	ENH4X42*21**	*9MVX080	1.01	1.05
ED*4X48L**	*9MV*1002116A**	1.01	1.02	ENH4X42*21**	*9MX*1002116A**	1.01	1.07

HEATING Multiplying Factors for other Indoor Combinations

Indoor Model	Furnace Model	Capacity (MBh)	Power (AMPS)	Indoor Model	Furnace Model	Capacity (MBh)	Power (AMPS)
ED*4X48L**	*9MVX100	1.01	1.01	ENH4X42*21**	OLV154F20A	1.01	1.02
ED*4X48L**	*9MX*1002116A**	1.01	1.03	ENH4X42*21**	OMV112K14A	1.01	1.07
ED*4X48L**	OLV112A16A	1.01	1.02	ENH4X42*21**	-	1.01	1.06
ED*4X48L**	OLV154F20A	1.01	0.99	ENH4X43*21**	*9MA*0601714A**	1.01	1.03
ED*4X48L**	-	1.01	1.03	ENH4X43*21**	*9MA*0801714A**	1.01	1.02
EHD4X42A**	*8MV*0701412**	1.01	1.03	ENH4X43*21**	*9MA*1202422A**	1.01	1.00
EHD4X42A**	*8MV*0901716**	1.01	1.02	ENH4X43*21**	*9MV*0601714A**	1.01	1.02
EHD4X42A**	*8MV*1102120**	1.01	1.02	ENH4X43*21**	*9MV*0801716A**	1.01	1.01
EHD4X42A**	*8MV*1352422**	1.01	1.01	ENH4X43*21**	*9MV*1202422A**	1.01	0.99
EHD4X42A**	*8MX*0701716**	1.01	1.03	ENH4X43*21**	*9MX*0601714A**	1.01	1.01
EHD4X42A**	*8MX*0902116**	1.01	1.01	ENH4X43*21**	*9MX*0801716A**	1.01	1.00
EHD4X42A**	*8MX*1102120**	1.01	1.01	ENH4X43*21**	*9MX*1202422A**	1.01	0.98
EHD4X42A**	*8MX*1352420**	1.01	1.01	ENH4X43*21**	NOMV156E19*	1.01	1.00
EHD4X42A**	*9MA*0601714A**	1.01	1.05	ENH4X43*21**	*9MA*1002120A**	1.01	1.01
EHD4X42A**	*9MA*0602120A**	1.01	1.04	ENH4X43*21**	*9MPV100	1.01	0.99
EHD4X42A**	*9MA*0801714A**	1.01	1.05	ENH4X43*21**	*9MPV125	1.01	0.98
EHD4X42A**	*9MA*0802120A**	1.01	1.03	ENH4X43*21**	*9MV*1002116A**	1.01	1.01
EHD4X42A**	*9MA*1002122A**	1.01	1.01	ENH4X43*21**	*9MVX080	1.01	0.98
EHD4X42A**	*9MA*1202422A**	1.01	1.03	ENH4X43*21**	*9MVX100	1.01	0.99
EHD4X42A**	*9MV*0601714A**	1.01	1.05	ENH4X43*21**	*9MX*1002116A**	1.01	1.01
EHD4X42A**	*9MV*0801716A**	1.01	1.03	ENH4X43*21**	OLV112A16A	1.01	1.00
EHD4X42A**	*9MV*0802120A**	1.01	1.02	ENH4X43*21**	OLV154F20A	1.01	0.97
EHD4X42A**	*9MV*1002120A**	1.01	1.02	ENH4X43*21**	OMV112K14A	1.01	1.01
EHD4X42A**	*9MV*1202422A**	1.01	1.02	ENH4X48*21**	*8MV*0701412**	1.01	1.03
EHD4X42A**	*9MX*0601714A**	1.01	1.04	ENH4X48*21**	*8MV*0901716**	1.01	1.02
EHD4X42A**	*9MX*0801716A**	1.01	1.03	ENH4X48*21**	*8MV*1102120**	1.01	1.01
EHD4X42A**	*9MX*0802120A**	1.01	1.01	ENH4X48*21**	*8MV*1352422**	1.01	1.01
EHD4X42A**	*9MX*1002120A**	1.01	1.02	ENH4X48*21**	*8MX*0701716**	1.01	1.03
EHD4X42A**	*9MX*1202422A**	1.01	1.01	ENH4X48*21**	*8MX*0902116**	1.01	1.01
EHD4X42A**	MV12F19**B*	1.01	1.00	ENH4X48*21**	*8MX*1102120**	1.01	1.00
EHD4X42A**	MV16J22**B*	1.01	0.99	ENH4X48*21**	*8MX*1352420**	1.01	1.00
EHD4X42A**	MV20L24**B*	1.01	0.99	ENH4X48*21**	*9MA*0601714A**	1.01	1.05
EHD4X42A**	NOMV156E19*	1.01	1.02	ENH4X48*21**	*9MA*0602120A**	1.01	1.04
EHD4X42A**	*8MPV075	1.01	1.02	ENH4X48*21**	*9MA*0801714A**	1.01	1.04
EHD4X42A**	*8MPV100	1.01	1.00	ENH4X48*21**	*9MA*0802120A**	1.01	1.03

HEATING Multiplying Factors for other Indoor Combinations

Indoor Model	Furnace Model	Capacity (MBh)	Power (AMPS)	Indoor Model	Furnace Model	Capacity (MBh)	Power (AMPS)
EHD4X42A**	*8MPV125	1.01	1.00	ENH4X48*21**	*9MA*1002122A**	1.01	1.01
EHD4X42A**	*9MA*1002120A**	1.01	1.03	ENH4X48*21**	*9MA*1202422A**	1.01	1.03
EHD4X42A**	*9MPV075	1.01	1.05	ENH4X48*21**	*9MV*0601714A**	1.01	1.04
EHD4X42A**	*9MPV100	1.01	1.01	ENH4X48*21**	*9MV*0801716A**	1.01	1.03
EHD4X42A**	*9MPV125	1.01	1.01	ENH4X48*21**	*9MV*0802120A**	1.01	1.01
EHD4X42A**	*9MV*1002116A**	1.01	1.02	ENH4X48*21**	*9MV*1002120A**	1.01	1.01
EHD4X42A**	*9MVX060	1.01	1.03	ENH4X48*21**	*9MV*1202422A**	1.01	1.01
EHD4X42A**	*9MVX080	1.01	1.01	ENH4X48*21**	*9MX*0601714A**	1.01	1.03
EHD4X42A**	*9MVX100	1.01	1.01	ENH4X48*21**	*9MX*0801716A**	1.01	1.02
EHD4X42A**	*9MX*1002116A**	1.01	1.03	ENH4X48*21**	*9MX*0802120A**	1.01	1.01
EHD4X42A**	OLV112A16A	1.01	1.03	ENH4X48*21**	*9MX*1002120A**	1.01	1.01
EHD4X42A**	OLV154F20A	1.01	0.99	ENH4X48*21**	*9MX*1202422A**	1.01	1.00
EHD4X42A**	OMV112K14A	1.01	1.03	ENH4X48*21**	NOMV156E19*	1.01	1.02
EHD4X42A**	-	1.01	1.03	ENH4X48*21**	*9MA*1002120A**	1.01	1.03
EHD4X48A**	*8MV*0701412**	1.01	1.03	ENH4X48*21**	*9MPV100	1.01	1.01
EHD4X48A**	*8MV*0901716**	1.01	1.01	ENH4X48*21**	*9MPV125	1.01	1.01
EHD4X48A**	*8MV*1102120**	1.01	1.01	ENH4X48*21**	*9MV*1002116A**	1.01	1.02
EHD4X48A**	*8MV*1352422**	1.01	1.00	ENH4X48*21**	*9MVX080	1.01	1.00
EHD4X48A**	*8MX*0701716**	1.01	1.03	ENH4X48*21**	*9MVX100	1.01	1.01
EHD4X48A**	*8MX*0902116**	1.01	1.00	ENH4X48*21**	*9MX*1002116A**	1.01	1.03
EHD4X48A**	*8MX*1102120**	1.01	1.00	ENH4X48*21**	OLV112A16A	1.01	1.02
EHD4X48A**	*8MX*1352420**	1.01	1.00	ENH4X48*21**	OLV154F20A	1.01	0.99
EHD4X48A**	*9MA*0601714A**	1.01	1.05	ENH4X48*21**	OMV112K14A	1.01	1.03
EHD4X48A**	*9MA*0602120A**	1.01	1.03	ENH4X48*21**	-	1.01	1.03
EHD4X48A**	*9MA*0801714A**	1.01	1.03	FEM4P42**A*	-	1.01	1.01
EHD4X48A**	*9MA*0802120A**	1.01	1.02	FEM4P42**A*	-	1.01	1.01
EHD4X48A**	*9MA*1002122A**	1.01	1.01	FEM4P48**A*	-	1.01	1.01
EHD4X48A**	*9MA*1202422A**	1.01	1.02	FEM4P48**A*	-	1.01	1.01
EHD4X48A**	*9MV*0601714A**	1.01	1.03	FEM4X42****	-	1.01	1.02
EHD4X48A**	*9MV*0801716A**	1.01	1.03	FEM4X48****	-	1.01	0.99
EHD4X48A**	*9MV*0802120A**	1.01	1.01	FS(M,U)4P42**A*	-	1.01	1.03
EHD4X48A**	*9MV*1002120A**	1.01	1.01	FS(M,U)4P42**A*	-	1.01	1.03
EHD4X48A**	*9MV*1202422A**	1.01	1.01	FS(M,U)4P48**A*	-	1.01	1.01
EHD4X48A**	*9MX*0601714A**	1.01	1.03	FS(M,U)4P48**A*	-	1.01	1.01
EHD4X48A**	*9MX*0801716A**	1.01	1.02	FS(M,U)4X42****	-	1.01	1.06

HEATING Multiplying Factors for other Indoor Combinations						
Indoor Model	Furnace Model	CAPACITY (MBh)	Power (AMPS)	Indoor Model	Furnace Model	Power (AMPS)
EHD4X48A**	*9MX*0802120A**	1.01	1.00	FS(M,U)4X48***	-	1.03
EHD4X48A**	*9MX*1002120A**	1.01	1.01	FVM4X36****	-	1.05
EHD4X48A**	*9MX*1202422A**	1.01	1.00	FVM4X48****	-	0.99
				FVM4X60****	-	0.96
				FXM4X48**A*	-	0.97
HEATING Multiplying Factors for other Indoor Combinations						
(C,H,T)XH548						
Indoor Model	Furnace Model	CAPACITY (MBh)	Power (AMPS)	Indoor Model	Furnace Model	Power (AMPS)
*FXM4X48**A*	-	1.00	1.00	EHD4X60A**	*8MPV125	0.98
EA*4X48*17A*	*8MV*0901716**	0.98	1.02	EHD4X60A**	*9MA*1002120A**	1.02
EA*4X48*17A*	-	0.99	1.04	EHD4X60A**	*9MPV100	1.01
EA*4X48*21A*	*8MV*1102120**	0.97	1.02	EHD4X60A**	*9MPV125	1.00
EA*4X48*21A*	*8MX*0902116**	0.98	1.02	EHD4X60A**	*9MV*1002116A**	1.02
EA*4X48*21A*	*8MX*1102120**	0.97	1.00	EHD4X60A**	*9MVX080	1.00
EA*4X48*21A*	*9MA*0602120A**	0.97	1.04	EHD4X60A**	*9MVX100	1.00
EA*4X48*21A*	*9MA*0802120A**	0.97	1.03	EHD4X60A**	*9MX*1002116A**	1.03
EA*4X48*21A*	*9MA*1002122A**	0.97	1.02	EHD4X60A**	OLV112A16A	1.03
EA*4X48*21A*	*9MV*0802120A**	0.97	1.02	EHD4X60A**	OLV112A16A	1.03
EA*4X48*21A*	*9MV*1002120A**	0.97	1.02	EHD4X60A**	OLV154F20A	0.99
EA*4X48*21A*	*9MX*0802120A**	0.98	1.03	EHD4X60A**	OLV154F20A	0.99
EA*4X48*21A*	*9MX*1002120A**	0.97	1.02	EHD4X60A**	-	1.03
EA*4X48*21A*	*9MA*1002120A**	0.97	1.03	EMA4X48D**	-	1.06
EA*4X48*21A*	*9MV*1002116A**	0.98	1.04	EN(A,D)4X48*24**	*8MV*1352422**	1.00
EA*4X48*21A*	*9MX*1002116A**	0.98	1.04	EN(A,D)4X48*24**	*8MX*1352420**	1.00
EA*4X48*21A*	-	1.00	1.05	EN(A,D)4X48*24**	*9MA*1202422A**	1.02
EA*4X48*24A*	*8MV*1352422**	0.97	1.00	EN(A,D)4X48*24**	*9MV*1202422A**	1.01
EA*4X48*24A*	*8MX*1352420**	0.98	1.02	EN(A,D)4X48*24**	*9MX*1202422A**	1.02
EA*4X48*24A*	*9MA*1202422A**	0.97	1.02	EN(A,D)4X48*24**	*9MA*1002120A**	1.03
EA*4X48*24A*	*9MV*1202422A**	0.97	1.01	EN(A,D)4X48*24**	*9MPV100	1.03
EA*4X48*24A*	*9MX*1202422A**	0.98	1.02	EN(A,D)4X48*24**	*9MPV125	1.02
EA*4X48*24A*	*9MA*1002120A**	0.97	1.03	EN(A,D)4X48*24**	*9MV*1002116A**	1.03
EA*4X48*24A*	*9MV*1002116A**	0.98	1.04	EN(A,D)4X48*24**	*9MVX080	1.03
EA*4X48*24A*	*9MX*1002116A**	0.98	1.04	EN(A,D)4X48*24**	*9MVX100	1.02
EA*4X48*24A*	-	1.00	1.05	EN(A,D)4X48*24**	*9MX*1002116A**	1.02

HEATING Multiplying Factors for other Indoor Combinations

Indoor Model	Furnace Model	Indoor Model	Power (AMPS)	CAPACITY (MBh)	Power (AMPS)	Furnace Model	Indoor Model	Power (AMPS)	CAPACITY (MBh)
EA*4X60*21A*	*8MV*1102120**	EN(A,D)4X48*24**	1.01	0.98	1.01	OLV154F20A	EN(A,D)4X48*24**	1.01	1.00
EA*4X60*21A*	*8MX*0902116**	EN(A,D)4X48*24**	1.00	0.98	1.00	-	EN(A,D)4X48*24**	1.00	1.00
EA*4X60*21A*	*8MX*1102120**	EN(A,D)4X61*24**	0.99	0.97	0.99	*8MV*1102120**	EN(A,D)4X61*24**	0.99	0.98
EA*4X60*21A*	*9MA*0602120A**	EN(A,D)4X61*24**	1.03	0.97	1.03	*8MV*1352422**	EN(A,D)4X61*24**	1.03	0.98
EA*4X60*21A*	*9MA*0802120A**	EN(A,D)4X61*24**	1.01	0.97	1.01	*8MX*1352420**	EN(A,D)4X61*24**	1.01	0.97
EA*4X60*21A*	*9MA*1002122A**	EN(A,D)4X61*24**	1.00	0.97	1.00	*9MA*1202422A**	EN(A,D)4X61*24**	1.00	0.98
EA*4X60*21A*	*9MV*0801716A**	EN(A,D)4X61*24**	1.04	0.98	1.04	*9MV*1202422A**	EN(A,D)4X61*24**	1.04	0.97
EA*4X60*21A*	*9MV*0802120A**	EN(A,D)4X61*24**	1.01	0.98	1.01	*9MX*1202422A**	EN(A,D)4X61*24**	1.01	0.99
EA*4X60*21A*	*9MV*1002120A**	EN(A,D)4X61*24**	1.01	0.98	1.01	*9MA*1002120A**	EN(A,D)4X61*24**	1.01	1.00
EA*4X60*21A*	*9MX*0802120A**	EN(A,D)4X61*24**	1.01	0.98	1.01	*9MPV100	EN(A,D)4X61*24**	1.01	1.01
EA*4X60*21A*	*9MX*1002120A**	EN(A,D)4X61*24**	1.01	0.98	1.01	*9MPV125	EN(A,D)4X61*24**	1.01	0.99
EA*4X60*21A*	*9MA*1002120A**	EN(A,D)4X61*24**	1.03	0.98	1.03	*9MV*1002116A**	EN(A,D)4X61*24**	1.03	1.00
EA*4X60*21A*	*9MV*1002116A**	EN(A,D)4X61*24**	1.03	0.99	1.03	*9MVX080	EN(A,D)4X61*24**	1.03	1.01
EA*4X60*21A*	*9MX*1002116A**	EN(A,D)4X61*24**	1.03	0.98	1.03	*9MVX100	EN(A,D)4X61*24**	1.03	0.99
EA*4X60*21A*	-	EN(A,D)4X61*24**	1.03	1.00	1.03	*9MX*1002116A**	EN(A,D)4X61*24**	1.03	0.99
EA*4X60*24A*	*8MV*1352422**	EN(A,D)4X61*24**	0.99	0.97	0.99	OLV112A16A	EN(A,D)4X61*24**	0.99	1.00
EA*4X60*24A*	*8MX*1352420**	EN(A,D)4X61*24**	1.00	0.98	1.00	OLV154F20A	EN(A,D)4X61*24**	1.00	1.01
EA*4X60*24A*	*9MA*1202422A**	EN(A,D)4X61*24**	1.01	0.97	1.01	-	EN(A,D)4X61*24**	1.01	1.03
EA*4X60*24A*	*9MV*1202422A**	EN(A,D,W)4X48*21**	1.01	0.98	1.01	*8MV*1102120**	EN(A,D,W)4X48*21**	1.01	0.97
EA*4X60*24A*	*9MX*1202422A**	EN(A,D,W)4X48*21**	1.00	0.98	1.00	*8MX*0902116**	EN(A,D,W)4X48*21**	1.00	0.98
EA*4X60*24A*	*9MA*1002120A**	EN(A,D,W)4X48*21**	1.03	0.98	1.03	*8MX*1102120**	EN(A,D,W)4X48*21**	1.03	0.97
EA*4X60*24A*	*9MV*1002116A**	EN(A,D,W)4X48*21**	1.03	0.99	1.03	*9MA*0602120A**	EN(A,D,W)4X48*21**	1.03	0.97
EA*4X60*24A*	*9MX*1002116A**	EN(A,D,W)4X48*21**	1.03	0.98	1.03	*9MA*0802120A**	EN(A,D,W)4X48*21**	1.03	0.97
EA*4X60*24A*	-	EN(A,D,W)4X48*21**	1.03	1.00	1.03	*9MA*1002122A**	EN(A,D,W)4X48*21**	1.03	0.97
ED*4X48F**	*8MV*0901716**	EN(A,D,W)4X48*21**	1.02	0.98	1.02	*9MV*0801716A**	EN(A,D,W)4X48*21**	1.02	0.98
ED*4X48F**	-	EN(A,D,W)4X48*21**	1.04	0.99	1.04	*9MV*0802120A**	EN(A,D,W)4X48*21**	1.04	0.97
ED*4X48J**	*8MV*1102120**	EN(A,D,W)4X48*21**	1.02	0.97	1.02	*9MV*1002120A**	EN(A,D,W)4X48*21**	1.02	0.97
ED*4X48J**	*8MX*0902116**	EN(A,D,W)4X48*21**	1.02	0.98	1.02	*9MX*0801716A**	EN(A,D,W)4X48*21**	1.02	0.98
ED*4X48J**	*8MX*1102120**	EN(A,D,W)4X48*21**	1.01	0.97	1.01	*9MX*0802120A**	EN(A,D,W)4X48*21**	1.01	0.98
ED*4X48J**	MV16J22**B*	EN(A,D,W)4X48*21**	0.99	0.97	0.99	*9MX*1002120A**	EN(A,D,W)4X48*21**	0.99	0.97
ED*4X48J**	NOMV156E19*	EN(A,D,W)4X48*21**	1.04	0.98	1.04	NOMV156E19*	EN(A,D,W)4X48*21**	1.04	1.02
ED*4X48J**	*8MPV100	EN(A,D,W)4X48*21**	1.02	0.98	1.02	*9MA*1002120A**	EN(A,D,W)4X48*21**	1.02	0.97
ED*4X48J**	*8MPV125	EN(A,D,W)4X48*21**	1.01	0.98	1.01	*9MPV100	EN(A,D,W)4X48*21**	1.01	0.99
ED*4X48J**	*9MA*1002120A**	EN(A,D,W)4X48*21**	1.03	0.97	1.03	*9MV*1002116A**	EN(A,D,W)4X48*21**	1.03	0.98
ED*4X48J**	*9MPV100	EN(A,D,W)4X48*21**	1.04	0.99	1.04	*9MVX080	EN(A,D,W)4X48*21**	1.04	0.99

HEATING Multiplying Factors for other Indoor Combinations

Indoor Model	Furnace Model	Indoor Model	Furnace Model	Power (AMPS)	CAPACITY (MBh)	Power (AMPS)	CAPACITY (MBh)	Indoor Model	Furnace Model	CAPACITY (MBh)	Power (AMPS)
ED*4X48J**	*9MV*1002116A**	EN(A,D,W)4X48*21**	*9MX*1002116A**	1.04	0.98	1.04	0.98	EN(A,D,W)4X48*21**	*9MX*1002116A**	0.98	1.04
ED*4X48J**	*9MVX080	EN(A,D,W)4X48*21**		1.04	0.99	1.04	0.99	EN(A,D,W)4X48*21**	-	1.00	1.05
ED*4X48J**	*9MX*1002116A**	EN(A,D,W)4X60*24**		1.04	0.98	1.04	0.98	EN(A,D,W)4X60*24**	*8MV*1352422**	0.97	0.99
ED*4X48J**	-	EN(A,D,W)4X60*24**		1.05	1.00	1.05	1.00	EN(A,D,W)4X60*24**	*8MX*1352420**	0.98	1.00
ED*4X48L**	*8MV*1352422**	EN(A,D,W)4X60*24**		1.00	0.97	1.00	0.97	EN(A,D,W)4X60*24**	*9MA*1202422A**	0.97	1.01
ED*4X48L**	*8MX*1352420**	EN(A,D,W)4X60*24**		1.02	0.98	1.02	0.98	EN(A,D,W)4X60*24**	*9MV*1202422A**	0.98	1.00
ED*4X48L**	*9MA*1202422A**	EN(A,D,W)4X60*24**		1.02	0.97	1.02	0.97	EN(A,D,W)4X60*24**	*9MX*1202422A**	0.98	1.00
ED*4X48L**	*9MV*1202422A**	EN(A,D,W)4X60*24**		1.01	0.97	1.01	0.97	EN(A,D,W)4X60*24**	*9MA*1002120A**	0.97	1.02
ED*4X48L**	*9MX*1202422A**	EN(A,D,W)4X60*24**		1.02	0.98	1.02	0.98	EN(A,D,W)4X60*24**	*9MPV100	0.99	1.02
ED*4X48L**	MV20L24**B	EN(A,D,W)4X60*24**		0.98	0.97	0.98	0.97	EN(A,D,W)4X60*24**	*9MPV125	0.99	1.02
ED*4X48L**	*9MA*1002120A**	EN(A,D,W)4X60*24**		1.03	0.97	1.03	0.97	EN(A,D,W)4X60*24**	*9MV*1002116A**	0.99	1.03
ED*4X48L**		EN(A,D,W)4X60*24**		1.02	0.98	1.02	0.98	EN(A,D,W)4X60*24**	*9MVX080	0.99	1.02
ED*4X48L**	*9MV*1002116A**	EN(A,D,W)4X60*24**		1.04	0.98	1.04	0.98	EN(A,D,W)4X60*24**	*9MVX100	0.98	1.01
ED*4X48L**	OLV154F20A	EN(A,D,W)4X60*24**		1.03	1.00	1.03	1.00	EN(A,D,W)4X60*24**	OLV154F20A	1.00	1.01
ED*4X48L**	-	ENH4X48*21**		1.05	1.00	1.05	1.00	ENH4X48*21**	*8MV*0901716**	0.97	1.02
ED*4X60J**	*8MV*1102120**	ENH4X48*21**		1.01	0.98	1.01	0.98	ENH4X48*21**	*8MV*1102120**	0.97	1.01
ED*4X60J**	*8MX*0902116**	ENH4X48*21**		1.00	0.98	1.00	0.98	ENH4X48*21**	*8MV*1352422**	0.97	1.00
ED*4X60J**	*8MX*1102120**	ENH4X48*21**		0.99	0.97	0.99	0.97	ENH4X48*21**	*8MX*0902116**	0.98	1.02
ED*4X60J**	MV16J22**B	ENH4X48*21**		0.97	0.97	0.97	0.97	ENH4X48*21**	*8MX*1102120**	0.97	1.00
ED*4X60J**	NOMV156E19*	ENH4X48*21**		1.02	0.98	1.02	0.98	ENH4X48*21**	*8MX*1352420**	0.97	1.00
ED*4X60J**	*8MPV100	ENH4X48*21**		1.01	0.99	1.01	0.99	ENH4X48*21**	*9MA*0602120A**	0.97	1.04
ED*4X60J**	*8MPV125	ENH4X48*21**		0.99	0.98	0.99	0.98	ENH4X48*21**	*9MA*0802120A**	0.97	1.02
ED*4X60J**	*9MA*1002120A**	ENH4X48*21**		1.03	0.98	1.03	0.98	ENH4X48*21**	*9MA*1002122A**	0.97	1.01
ED*4X60J**	*9MPV100	ENH4X48*21**		1.02	0.99	1.02	0.99	ENH4X48*21**	*9MA*1202422A**	0.97	1.02
ED*4X60J**	*9MV*1002116A**	ENH4X48*21**		1.03	0.99	1.03	0.99	ENH4X48*21**	*9MV*0801716A**	0.98	1.04
ED*4X60J**	*9MVX080	ENH4X48*21**		1.02	0.99	1.02	0.99	ENH4X48*21**	*9MV*0802120A**	0.97	1.01
ED*4X60J**	*9MX*1002116A**	ENH4X48*21**		1.03	0.98	1.03	0.98	ENH4X48*21**	*9MV*1002120A**	0.97	1.01
ED*4X60J**	-	ENH4X48*21**		1.03	1.00	1.03	1.00	ENH4X48*21**	*9MV*1202422A**	0.97	1.01
ED*4X60L**	*8MV*1352422**	ENH4X48*21**		0.99	0.97	0.99	0.97	ENH4X48*21**	*9MX*0801716A**	0.98	1.05
ED*4X60L**	*8MX*1352420**	ENH4X48*21**		1.00	0.98	1.00	0.98	ENH4X48*21**	*9MX*0802120A**	0.98	1.02
ED*4X60L**	*9MA*1202422A**	ENH4X48*21**		1.01	0.97	1.01	0.97	ENH4X48*21**	*9MX*1002120A**	0.97	1.01
ED*4X60L**	*9MV*1202422A**	ENH4X48*21**		1.01	0.98	1.01	0.98	ENH4X48*21**	*9MX*1202422A**	0.98	1.02
ED*4X60L**	*9MX*1202422A**	ENH4X48*21**		1.01	0.98	1.01	0.98	ENH4X48*21**	NOMV156E19*	0.97	1.02

HEATING Multiplying Factors for other Indoor Combinations

Indoor Model	Furnace Model	CAPACITY (MBh)	Power (AMPS)	Indoor Model	Furnace Model	CAPACITY (MBh)	Power (AMPS)
ED*4X60L**	MV20L24**B*	0.97	0.97	ENH4X48*21**	*9MA*1002120A**	0.97	1.03
ED*4X60L**	*9MA*1002120A**	0.98	1.03	ENH4X48*21**	*9MPV100	0.99	1.03
ED*4X60L**	*9MPV125	0.99	1.02	ENH4X48*21**	*9MV*1002116A**	0.98	1.03
ED*4X60L**	*9MV*1002116A**	0.99	1.03	ENH4X48*21**	*9MVX080	0.99	1.03
ED*4X60L**	*9MVX100	0.98	1.01	ENH4X48*21**	*9MX*1002116A**	0.98	1.04
ED*4X60L**	*9MX*1002116A**	0.98	1.03	ENH4X48*21**	OLV154F20A	1.00	1.03
ED*4X60L**	OLV154F20A	1.00	1.00	ENH4X48*21**	-	1.00	1.05
ED*4X60L**	-	1.00	1.03	ENH4X60*24**	*8MV*0901716**	0.97	1.00
EHD4X48A**	*8MV*0901716**	0.98	1.02	ENH4X60*24**	*8MV*1102120**	0.97	1.00
EHD4X48A**	*8MV*1102120**	0.98	1.02	ENH4X60*24**	*8MV*1352422**	0.97	0.99
EHD4X48A**	*8MV*1352422**	0.97	1.00	ENH4X60*24**	*8MX*0902116**	0.98	1.00
EHD4X48A**	*8MX*0902116**	0.98	1.01	ENH4X60*24**	*8MX*1102120**	0.97	0.98
EHD4X48A**	*8MX*1102120**	0.97	1.00	ENH4X60*24**	*8MX*1352420**	0.98	1.00
EHD4X48A**	*8MX*1352420**	0.98	1.01	ENH4X60*24**	*9MA*1202422A**	0.97	1.01
EHD4X48A**	*9MA*0602120A**	0.97	1.03	ENH4X60*24**	*9MV*0801716A**	0.99	1.04
EHD4X48A**	*9MA*0802120A**	0.97	1.02	ENH4X60*24**	*9MV*1202422A**	0.98	1.00
EHD4X48A**	*9MA*1002122A**	0.98	1.01	ENH4X60*24**	*9MX*0801716A**	0.99	1.05
EHD4X48A**	*9MA*1202422A**	0.97	1.02	ENH4X60*24**	*9MX*1202422A**	0.98	1.00
EHD4X48A**	*9MA*1202422A**	0.97	1.02	ENH4X60*24**	NOMV156E19*	0.98	1.02
EHD4X48A**	*9MV*0802120A**	0.98	1.02	ENH4X60*24**	*9MA*1002120A**	0.97	1.02
EHD4X48A**	*9MV*1002120A**	0.97	1.00	ENH4X60*24**	*9MPV100	0.99	1.02
EHD4X48A**	*9MV*1202422A**	0.98	1.02	ENH4X60*24**	*9MPV125	0.99	1.02
EHD4X48A**	*9MX*0802120A**	0.98	1.02	ENH4X60*24**	*9MV*1002116A**	0.99	1.03
EHD4X48A**	*9MX*1002120A**	0.98	1.02	ENH4X60*24**	*9MVX080	0.99	1.02
EHD4X48A**	*9MX*1202422A**	0.98	1.02	ENH4X60*24**	*9MVX100	0.98	1.01
EHD4X48A**	MV16J22**B*	0.97	0.98	ENH4X60*24**	*9MX*1002116A**	0.98	1.02
EHD4X48A**	MV20L24**B*	0.97	0.98	ENH4X60*24**	OLV112A16A	0.99	1.04
EHD4X48A**	NOMV156E19*	0.98	1.03	ENH4X60*24**	OLV154F20A	1.00	1.01
EHD4X48A**	*8MPV100	0.98	1.00	ENH4X60*24**	-	1.00	1.04
EHD4X48A**	*8MPV125	0.98	1.00	ENH4X61*24**	*8MV*0901716**	0.98	1.00
EHD4X48A**	*9MA*1002120A**	0.98	1.03	ENH4X61*24**	*8MV*1102120**	0.98	1.00
EHD4X48A**	*9MPV100	0.99	1.03	ENH4X61*24**	*8MV*1352422**	0.98	0.99
EHD4X48A**	*9MPV125	0.98	1.02	ENH4X61*24**	*8MX*0902116**	0.99	1.00
EHD4X48A**	*9MV*1002116A**	0.99	1.04	ENH4X61*24**	*8MX*1102120**	0.98	0.98
EHD4X48A**	*9MV*1202422A**	0.99	1.03	ENH4X61*24**	*8MX*1352420**	0.98	0.99

HEATING Multiplying Factors for other Indoor Combinations						
Indoor Model	Furnace Model	CAPACITY (MBh)	Power (AMPS)	Indoor Model	Furnace Model	Power (AMPS)
EHD4X48A**	*9MVX100	0.98	1.02	ENH4X61*24**	*9MA*1202422A**	1.00
EHD4X48A**	*9MX*1002116A**	0.98	1.03	ENH4X61*24**	*9MV*0801716A**	1.03
EHD4X48A**	OLV154F20A	1.00	1.02	ENH4X61*24**	*9MV*1202422A**	0.99
EHD4X48A**	OLV154F20A	1.00	1.02	ENH4X61*24**	*9MX*1202422A**	1.00
EHD4X48A**	-	1.00	1.04	ENH4X61*24**	NOMV156E19*	1.00
EHD4X60A**	*8MV*0901716**	0.98	1.00	ENH4X61*24**	*9MA*1002120A**	1.02
EHD4X60A**	*8MV*1102120**	0.98	1.00	ENH4X61*24**	*9MPV100	1.02
EHD4X60A**	*8MV*1352422**	0.97	0.98	ENH4X61*24**	*9MPV125	1.00
EHD4X60A**	*8MX*0902116**	0.98	0.99	ENH4X61*24**	*9MV*1002116A**	1.02
EHD4X60A**	*8MX*1102120**	0.98	0.98	ENH4X61*24**	*9MVX080	1.01
EHD4X60A**	*8MX*1352420**	0.98	0.99	ENH4X61*24**	*9MVX100	1.00
EHD4X60A**	*9MA*0602120A**	0.97	1.02	ENH4X61*24**	*9MX*1002116A**	1.02
EHD4X60A**	*9MA*0802120A**	0.97	1.00	ENH4X61*24**	OLV154F20A	1.00
EHD4X60A**	*9MA*1002122A**	0.98	1.00	ENH4X61*24**	-	1.01
EHD4X60A**	*9MA*1202422A**	0.97	1.00	FEM4P48**A*	-	1.03
EHD4X60A**	*9MA*1202422A**	0.97	1.00	FEM4P48**A*	-	1.02
EHD4X60A**	*9MV*0801716A**	0.99	1.03	FEM4P60**A*	-	1.00
EHD4X60A**	*9MV*0802120A**	0.98	1.00	FEM4P60**A*	-	1.00
EHD4X60A**	*9MV*1002120A**	0.98	0.99	FEM4X48****	-	1.00
EHD4X60A**	*9MV*1202422A**	0.98	0.99	FEM4X60****	-	0.98
EHD4X60A**	*9MX*0801716A**	0.99	1.04	FS(M,U)4P48**A*	-	1.02
EHD4X60A**	*9MX*0802120A**	0.98	0.99	FS(M,U)4P48**A*	-	1.02
EHD4X60A**	*9MX*1002120A**	0.98	0.99	FS(M,U)4X48****	-	1.06
EHD4X60A**	*9MX*1202422A**	0.98	0.99	FS(M,U)4X60****	-	1.04
EHD4X60A**	MV16J22**B*	0.97	0.96	FS(M,U)4X60**A*	-	1.04
EHD4X60A**	MV20L24**B*	0.97	0.96	FVM4X48****	-	0.99
EHD4X60A**	NOMV156E19*	0.98	1.00	FVM4X60****	-	0.96
EHD4X60A**	*8MPV100	0.99	0.99	FXM4X60**A*	-	0.96
HEATING Multiplying Factors for other Indoor Combinations						
Indoor Model	Furnace Model	CAPACITY (MBh)	Power (AMPS)	Indoor Model	Furnace Model	Power (AMPS)
(C,H,T)XH560						
*FXM4X60**A*	-	1.00	1.00	EHD4X60A**	MV16J22**B*	1.01
EA*4X60*21A*	*8MV*1102120**	1.01	1.06	EHD4X60A**	MV20L24**B*	1.01
EA*4X60*21A*	*8MX*1102120**	1.00	1.04	EHD4X60A**	*8MPV125	1.04

HEATING Multiplying Factors for other Indoor Combinations

Indoor Model	Furnace Model	CAPACITY (MBh)	Power (AMPS)	Indoor Model	Furnace Model	CAPACITY (MBh)	Power (AMPS)
EA*4X60*21A*	*9MA*1002122A**	1.00	1.05	EHD4X60A**	-	1.01	1.05
EA*4X60*21A*	*9MV*1002120A**	1.01	1.06	EN(A,D)4X61*24**	*8MV*1352422**	0.99	1.01
EA*4X60*21A*	*9MX*0802120A**	1.00	1.06	EN(A,D)4X61*24**	*8MX*1352420**	0.99	1.01
EA*4X60*21A*	-	1.01	1.06	EN(A,D)4X61*24**	*9MA*1202422A**	1.00	1.03
EA*4X60*24A*	*8MV*1352422**	1.00	1.04	EN(A,D)4X61*24**	*9MV*1202422A**	1.00	1.03
EA*4X60*24A*	*8MX*1352420**	1.00	1.05	EN(A,D)4X61*24**	*9MX*1202422A**	1.01	1.04
EA*4X60*24A*	*9MA*1202422A**	1.00	1.05	EN(A,D)4X61*24**	-	0.99	1.02
EA*4X60*24A*	*9MV*1202422A**	1.00	1.05	EN(A,D,W)4X60*24**	*8MV*1352422**	0.99	1.03
EA*4X60*24A*	*9MX*1202422A**	1.00	1.05	EN(A,D,W)4X60*24**	*8MX*1352420**	0.99	1.04
EA*4X60*24A*	-	1.01	1.06	EN(A,D,W)4X60*24**	*9MA*1202422A**	1.00	1.05
ED*4X60J**	*8MV*1102120**	0.99	1.05	EN(A,D,W)4X60*24**	*9MV*1202422A**	0.99	1.05
ED*4X60J**	*8MX*1102120**	0.99	1.03	EN(A,D,W)4X60*24**	*9MX*1202422A**	1.00	1.05
ED*4X60J**	MV16J22**B*	1.00	1.02	EN(A,D,W)4X60*24**	-	0.99	1.05
ED*4X60J**	*8MPV125	1.01	1.05	ENH4X60*24**	*8MV*1102120**	0.99	1.05
ED*4X60J**	-	1.01	1.06	ENH4X60*24**	*8MV*1352422**	0.99	1.03
ED*4X60L**	*8MV*1352422**	0.99	1.03	ENH4X60*24**	*8MX*1102120**	0.99	1.03
ED*4X60L**	*8MX*1352420**	0.99	1.04	ENH4X60*24**	*8MX*1352420**	0.99	1.04
ED*4X60L**	*9MA*1202422A**	1.00	1.05	ENH4X60*24**	*9MA*1202422A**	1.00	1.05
ED*4X60L**	*9MV*1202422A**	1.00	1.05	ENH4X60*24**	*9MV*1202422A**	0.99	1.05
ED*4X60L**	*9MX*1202422A**	1.00	1.05	ENH4X60*24**	*9MX*1202422A**	1.00	1.05
ED*4X60L**	MV20L24**B*	1.00	1.02	ENH4X60*24**	-	0.99	1.05
ED*4X60L**	-	1.01	1.06	ENH4X61*24**	*8MV*1102120**	0.99	1.03
EHD4X60A**	*8MV*1102120**	0.99	1.03	ENH4X61*24**	*8MV*1352422**	0.99	1.02
EHD4X60A**	*8MV*1352422**	0.99	1.02	ENH4X61*24**	*8MX*1102120**	0.99	1.02
EHD4X60A**	*8MX*1102120**	0.99	1.02	ENH4X61*24**	*8MX*1352420**	0.99	1.03
EHD4X60A**	*8MX*1352420**	0.99	1.02	ENH4X61*24**	*9MA*1202422A**	1.00	1.04
EHD4X60A**	*9MA*0802120A**	1.00	1.05	ENH4X61*24**	*9MV*1202422A**	1.00	1.04
EHD4X60A**	*9MA*1002122A**	1.00	1.03	ENH4X61*24**	*9MV*1202422A**	1.00	1.04
EHD4X60A**	*9MA*1202422A**	1.00	1.04	ENH4X61*24**	*9MX*1202422A**	0.99	1.03
EHD4X60A**	*9MV*1002120A**	1.01	1.05	FEM4P60**A*	-	1.00	1.05
EHD4X60A**	*9MV*1202422A**	1.00	1.04	FEM4P60**A*	-	1.00	1.05
EHD4X60A**	*9MX*0802120A**	1.00	1.04	FEM4X60****	-	1.00	1.01
EHD4X60A**	*9MX*1002120A**	1.01	1.05	FS(M,U)4X60****	-	1.02	1.07
EHD4X60A**	*9MX*1202422A**	1.00	1.04	FS(M,U)4X60**A*	-	1.02	1.07
				FVM4X60****	-	1.00	1.00