

# ***Ice-O-Matic***<sup>®</sup>

**SERVICE PARTS MANUAL  
ICE UNDERCOUNTER SERIES CUBERS  
MODEL-ICEU150, ICEU200, ICEU205, ICEU206  
Manufactured Prior to August 2004**



**Ice-O-Matic  
11100 East 45th Ave  
Denver, Colorado 80239  
Part Number 9081300-01**

**Date 6/13**



# ICE Undercounter Service Parts

This parts list contains the service parts available for the ICE Undercounter icemakers.

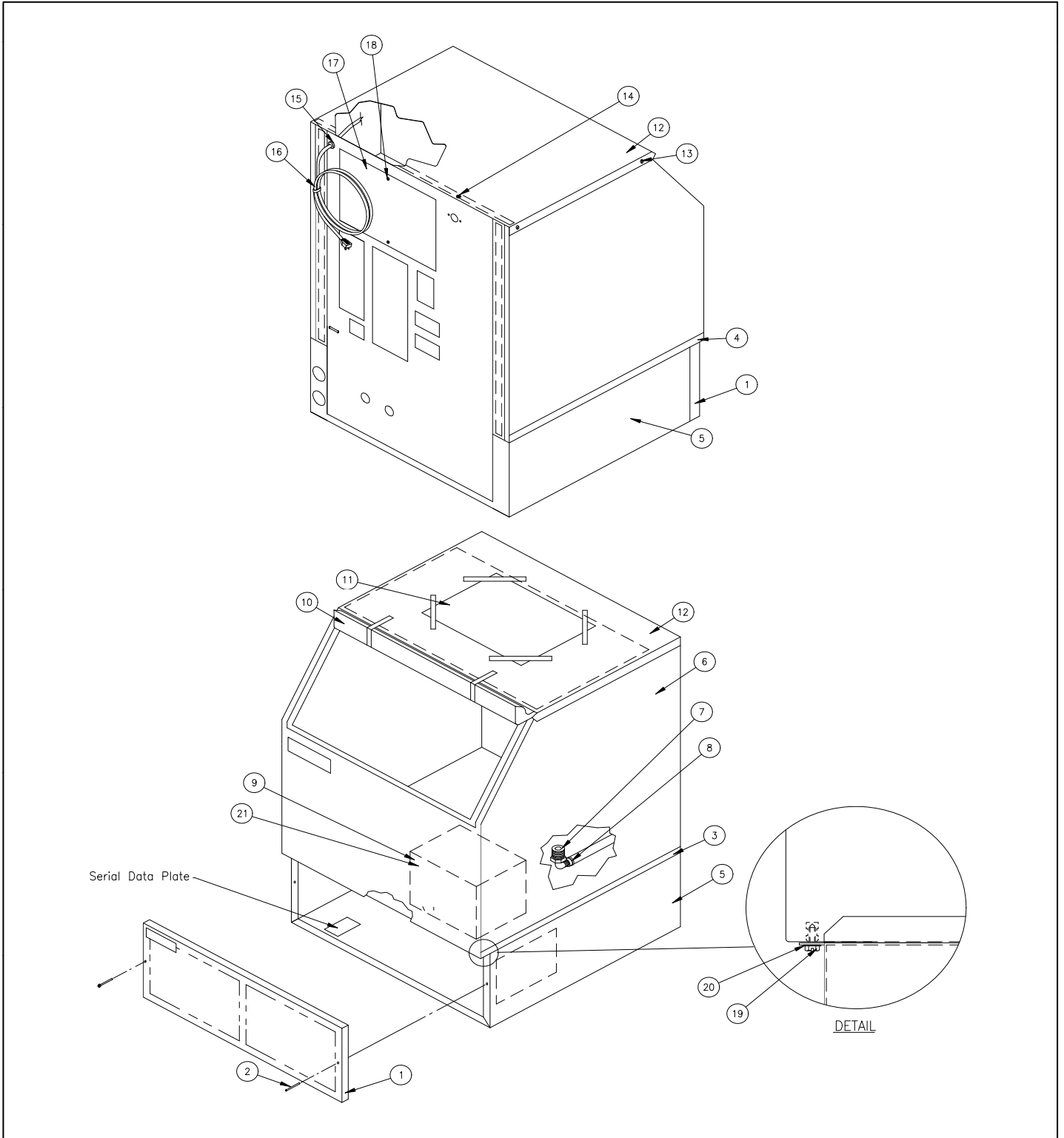
Check the model number on the data plate and refer to the correct listing for the specific component.

Check carefully that the correct part is identified and ordered.

<b>Table of Contents</b>	<b>Page 1</b>
<b>Bin and Exterior Components</b>	<b>Page 2 - 3</b>
<b>Evaporator Assembly and Water System</b>	<b>Page 4 - 5</b>
<b>Refrigeration System-Air Cooled</b>	<b>Page 6 - 7</b>
<b>Refrigeration System-Water Cooled</b>	<b>Page 8 - 9</b>
<b>Control Box Assembly</b>	<b>Page 10 -11</b>
<b>Water Pump Assembly</b>	<b>Page 12</b>
<b>Harvest Assist Components</b>	<b>Page 13</b>

Ice-O-Matic  
11100 East 45th Ave.  
Denver Co. 80239  
800-423-3367

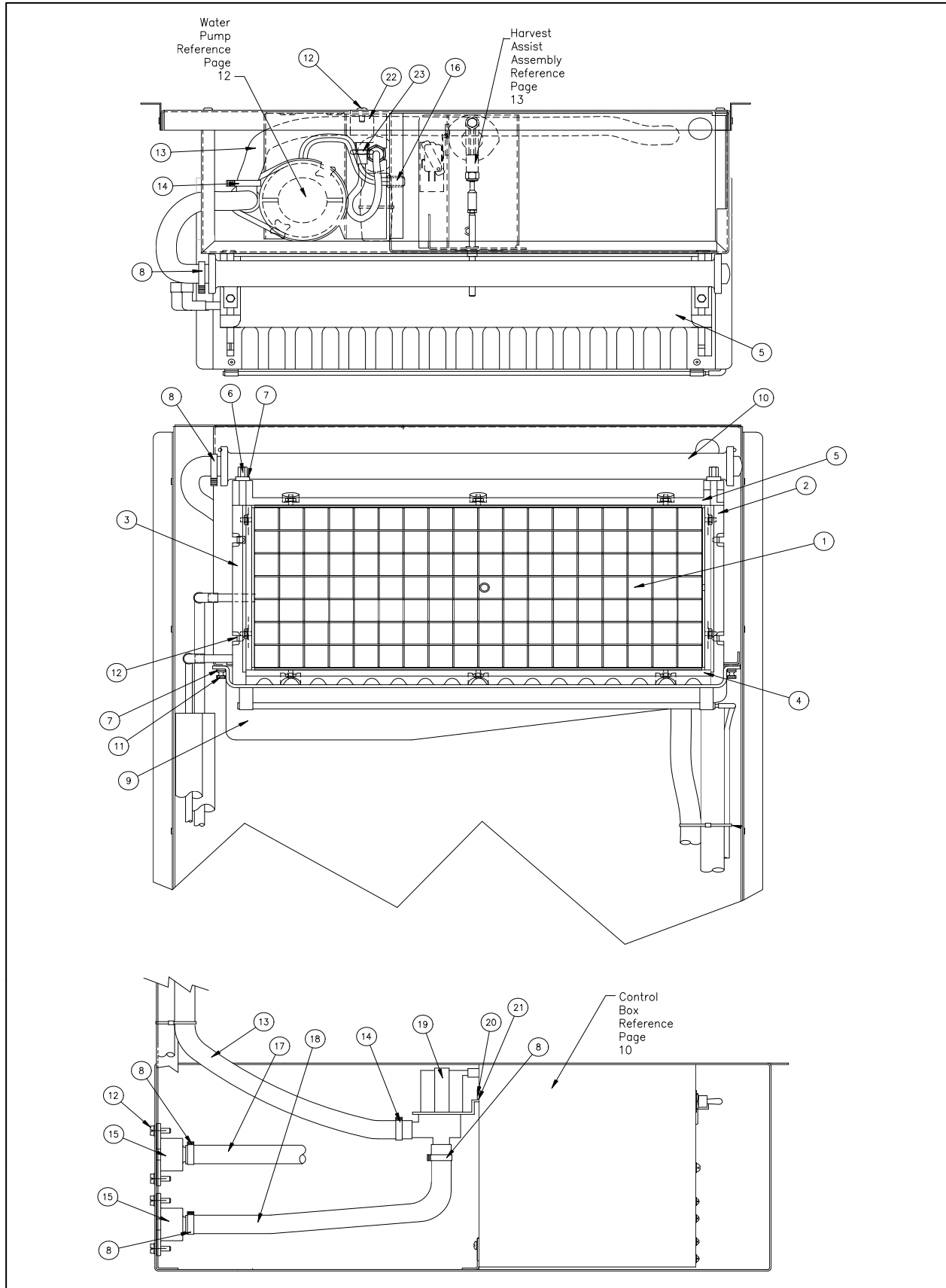
The ICE Series Service Manual is available separately, Part Number 9081270-01



**ICE Undercounter Service Parts****Bin and Exterior Components**

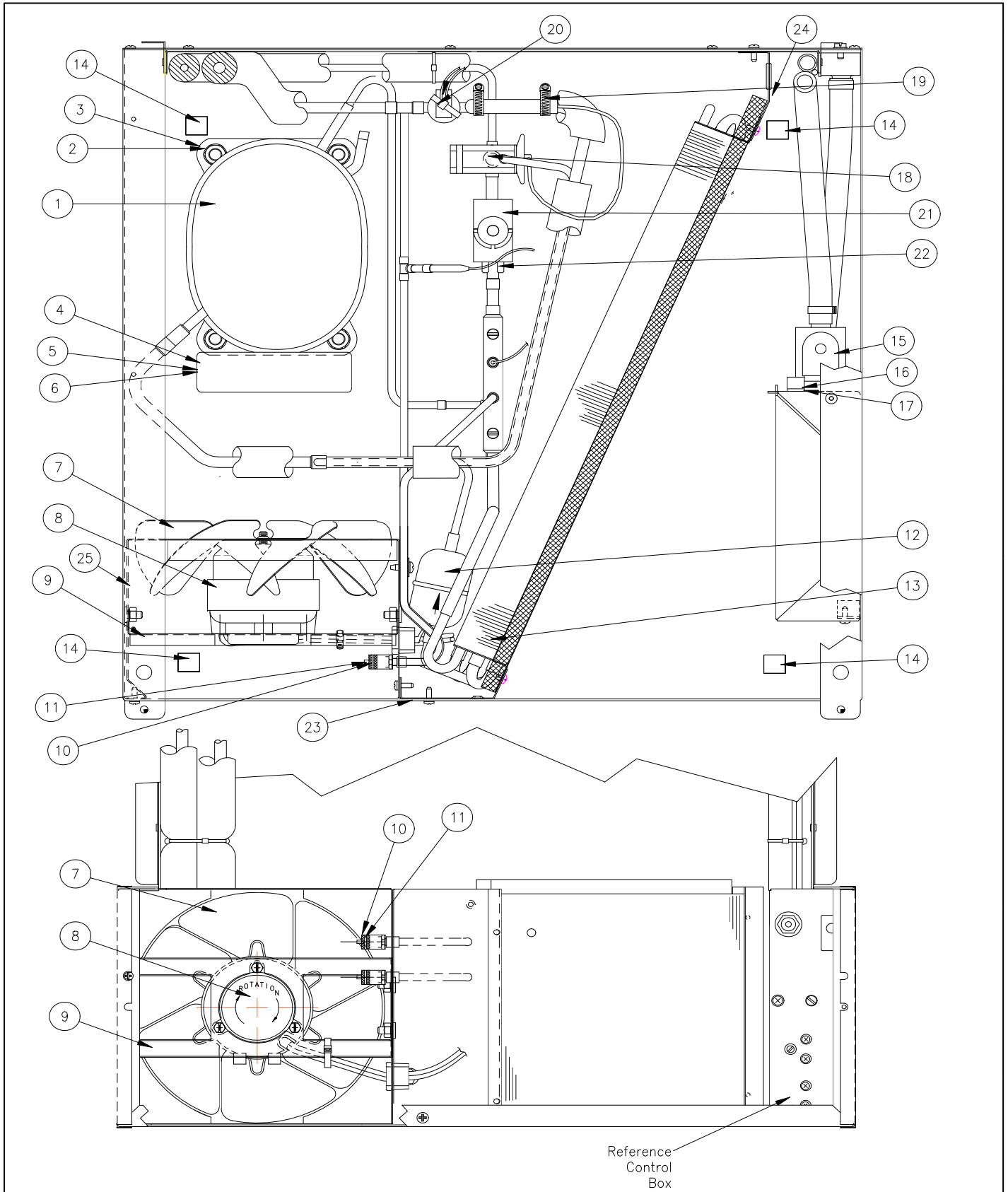
Item	Description	ICEU150	ICEU200	ICEU205	ICEU206
1	Front Grill Panel	9051515-01	9051515-01	9051515-01	9051515-01
2	Grill Panel Screw #8 x 11/2	9031074-02	9031074-02	9031074-02	9031074-02
3	Trim Strip RH	3021410-01	3021410-01	3021410-01	3021410-01
4	Trim Strip LH	3021410-02	3021410-02	3021410-02	3021410-02
5	Side Panel S/S	3021717-01	3021717-01	3021717-01	3021717-01
6	Bin Assembly (Includes Item # 7)	2101275-01S	2101275-01S	2101275-01S	2101275-01S
7	Elbow, 3/4MPT x 1/2	9091122-02	9091122-02	9091122-02	9091122-02
8	Plastic Hose Clamp	9021010-03	9021010-03	9021010-03	9021010-03
9	Leg Set (4 ea.)	9021095-01	9021095-01	9021095-01	9021095-01
10	Bin Door, Black	9051310-01	9051310-01	9051310-01	9051310-01
11	Owners Manual	9081264-01	9081264-01	9081264-01	9081264-01
12	Top Panel	3021540-02	3021540-02	3021540-02	3021540-02
13	Top Panel Screw #8-32 x 3/8	9031023-10	9031023-10	9031023-10	9031023-10
14	Top Panel Screw #8-32 x 1/2	9031019-07	9031019-07	9031019-07	9031019-07
15	Strain Relief	9121015-04	9121015-04	N/A	N/A
16	Power Cord	9101242-01	9101242-01	N/A	N/A
17	Panel, Rear Access	3012149-01	3012149-01	3012149-01	3012149-01
18	Screw #10-16 x 1/2	9031046-01	9031046-01	9031046-01	9031046-01
19	Screw Hex Head #8-32 x 3/8	9031112-01	9031112-01	9031112-01	9031112-01
20	Lockwasher #8 External	9031042-02	9031042-02	9031042-02	9031042-02
21	Ice Scoop	9051127-02	9051127-02	9051127-02	9051127-02

N/A = Not Applicable



**ICE Undercounter Service Parts****Evaporator and Water System**

Item	Description	ICEU150	ICEU200	ICEU205	ICEU206
1	Evaporator <b>Full</b> Cube	2051157-81	2051157-81	2051157-81	2051157-81
	Evaporator <b>Full</b> Cube (Beg. Ser. G239-03907-Z)	2051231-01			
	Evaporator <b>Full</b> Cube (Beg. Ser. H2)		2051231-01	2051231-01	2051231-01
1	Evaporator <b>Half</b> Cube	2051157-82	2051157-82	2051157-82	2051157-82
	Evaporator <b>Half</b> Cube (Beg. Ser. G239-03907-Z)	2051231-02			
	Evaporator <b>Half</b> Cube (Beg Ser. H2)		2051231-02	2051231-02	2051231-02
2	Evaporator RH Side Panel	9051136-04	9051136-04	9051136-04	9051136-04
3	Evaporator LH Side Panel	9051136-03	9051136-03	9051136-03	9051136-03
4	Evaporator Water Return	9051135-02	9051135-02	9051135-02	9051135-02
5	Evaporator Water Spillway	9051135-01	9051135-01	9051135-01	9051135-01
6	Thumbscrew #8-32 x 3/8	9031122-01	9031122-01	9031122-01	9031122-01
7	Rubber Washer	9031004-19	9031004-19	9031004-19	9031004-19
8	Hose Clamp	9021010-04	9021010-04	9021010-04	9021010-04
9	Water Trough Assembly	2101151-01S	2101151-01S	2101151-01S	2101151-01S
10	Water Distribution Tube Assembly	2041338-01	2041338-01	2041338-01	2041338-01
11	Thumbscrew #10-32 x 5/8	9031122-02	9031122-02	9031122-02	9031122-02
12	Screw #10-16 x 1/2 S/S	9031046-01	9031046-01	9031046-01	9031046-01
13	Hose PVC 5/8 I.D. 45.0 Inches	6021015-04	6021015-04	6021015-04	6021015-04
14	Hose Clamp	9021010-05	9021010-05	9021010-05	9021010-05
15	Drain Fitting	9091119-01	9091119-01	9091119-01	9091119-01
16	Water Pump Connector	9101218-01	9101218-01	9101218-01	9101218-01
17	Hose PVC 9/16 I.D. 13.5 Inches	6021015-06	6021015-06	6021015-06	6021015-06
18	Purge Drain Tube	9051280-05	9051280-05	9051280-05	9051280-05
19	Purge Valve	9041105-04	9041105-04	9041105-05	9041105-05
20	#8-18 x 1/2 Sems S.M. Screw	9031081-01	9031081-01	9031081-01	9031081-01
21	8A Tinnerman Speed Nut	9031035-01	9031035-01	9031035-01	9031035-01
22	Drop Adapter Fitting	9091074-01	9091074-01	9091074-01	9091074-01
23	Water Inlet Fitting	9091083-01	9091083-01	9091083-01	9091083-01



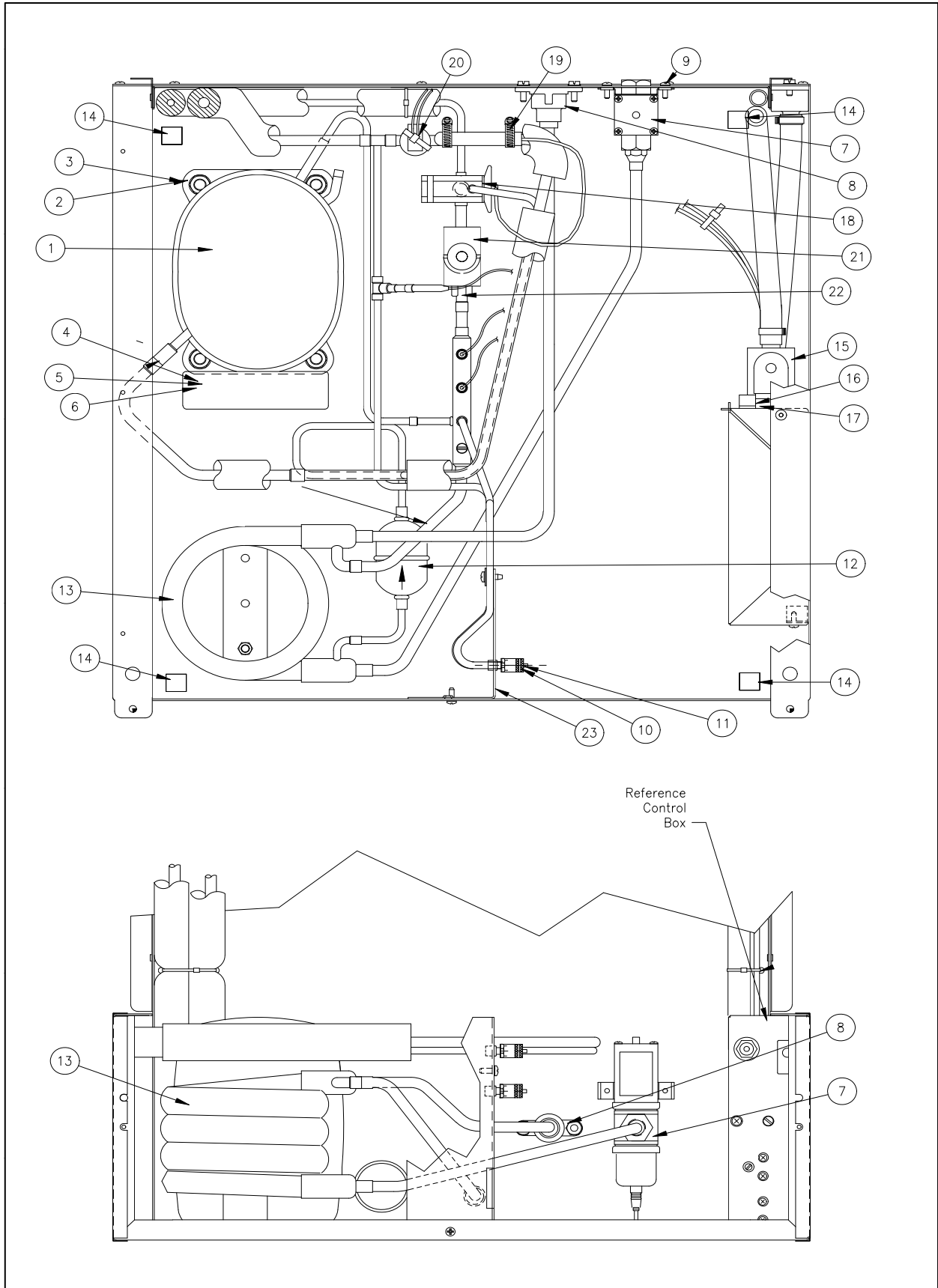


## ICE Undercounter Service Parts

## Refrigeration System Air Cooled

Item	Description	ICEU150	ICEU200	ICEU205	ICEU206
1	Compressor Kit	9181115-11	9181113-11	9181084-13	9181084-13
2	Grommet	9181002-10	9181002-07	9181061-80	9181061-80
3	Sleeve	9181002-11	9181002-08	9181061-80	9181061-80
4	Start Capacitor	9181003-43	9181003-35	9181003-27	9181003-27
5	Relay	9181004-24	9181004-22	9181004-15	9181004-15
6	Overload	9181005-42	9181005-29	N/A	N/A
7	Fan Blade	9131046-01	9131370-01	9131370-01	9131370-01
8	Fan Motor	9161028-01	9161112-01	9161112-02	9161112-02
9	Fan Bracket	3012869-01	3012869-01	3012869-01	3012869-01
10	Valve Cap	9091086-03	9091086-03	9091086-03	9091086-03
11	Valve Core	9091086-02	9091086-02	9091086-02	9091086-02
12	Filter Drier	9151004-02	9151004-02	9151004-02	9151004-02
13	Air Condenser	9141081-01	9141081-01	9141081-01	9141081-01
14	1/2-13 Self Anchoring Nut Retainer	9031012-02	9031012-02	9031012-02	9031012-02
15	Purge Valve	9041086-04	9041086-04	9041086-05	9041086-05
16	#8-18 x 1/2 SEMS S.M. Screw	9031081-01	9031081-01	9031081-01	9031081-01
17	8A Tinnerman Nut	9031035-01	9031035-01	9031035-01	9031035-01
18	Expansion Valve	9151006-16	9151006-16	9151006-10	9151006-10
18	Expansion Valve (Beg. Ser. J1)		9151157-101		
19	Expansion Valve Thermal Bulb Clamp	9021033-04	9021033-04	9021033-04	9021033-04
20	High Temperature Safety Control	9041087-03	9041087-03	9041087-03	9041087-03
21	Hot Gas Valve Coil	9151123-03	9151123-03	9151123-04	9151123-04
22	Hot Gas Valve Body	9151123-01	9151123-05	9151123-01	9151123-01
22	Hot Gas Valve Body Kit (Includes Drier)	9151123-101	9151123-105	9151123-101	9151123-101
23	Bracket, Front Condenser	3012901-01	3012901-01	3012901-01	3012901-01
24	Bracket, Rear Condenser	3012849-01	3012849-01	3012849-01	3012849-01
25	Fan Shroud	2021519-01	2021519-01	2021519-01	2021519-01

Description	Compressor Components			
	ICEU150	ICEU200	ICEU205	ICEU206
Compressor Kit	9181115-11	9181113-11	9181084-13	9181084-13
Overload	9181005-42	9181005-29	N/A	N/A
Start Capacitor	9181003-43	9181003-35	9181003-27	9181003-27
Compressor Relay	9181004-24	9181004-22	9181004-15	9181004-15

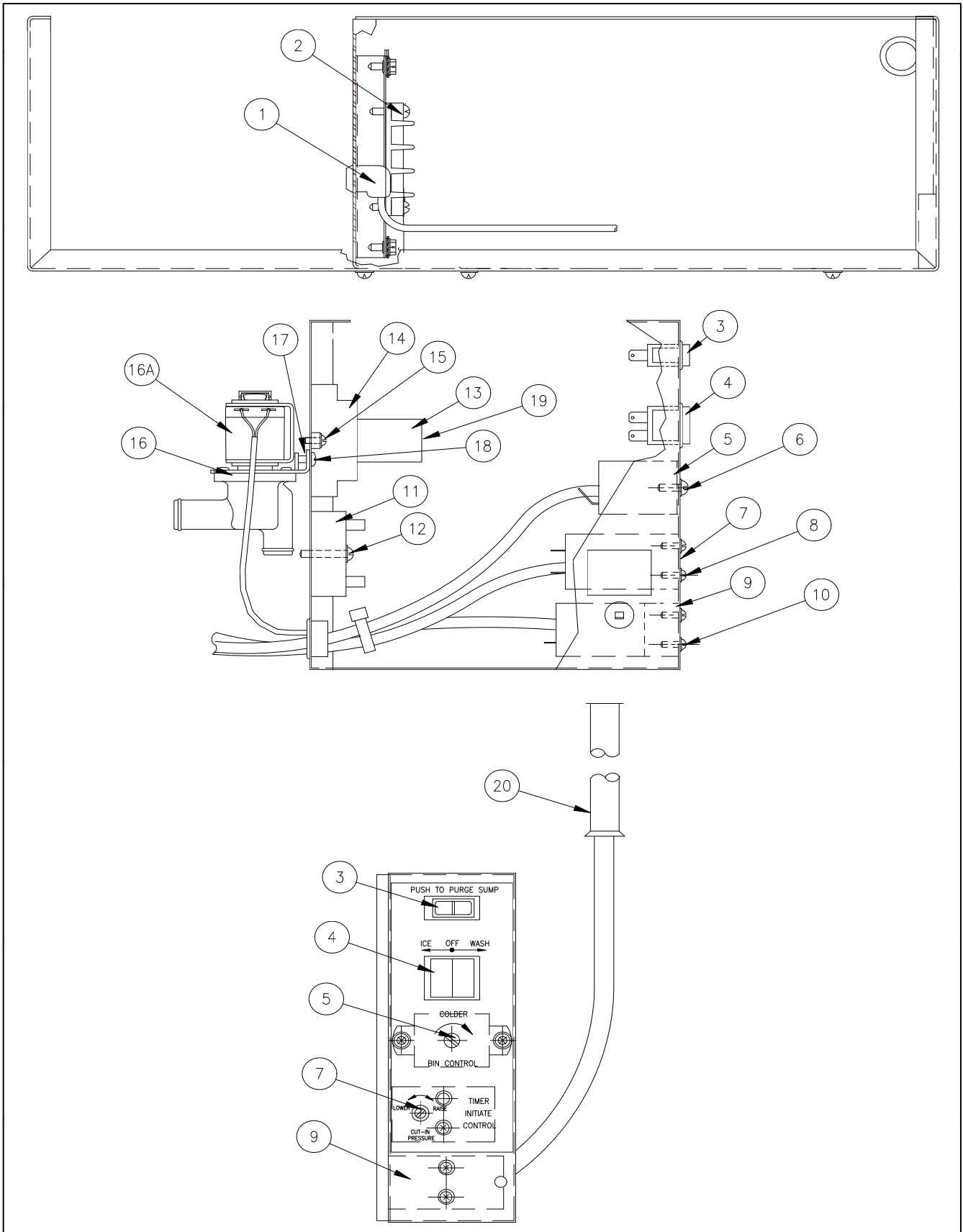


## ICE Undercounter Service Parts

## Refrigeration System-Water Cooled

Item	Description	ICEU150	ICEU200	ICEU205	ICEU206
1	Compressor Kit	9181115-11	9181113-11	9181084-13	9181084-13
2	Grommet	9181002-10	9181002-07	9181061-80	9181061-80
3	Sleeve	9181002-11	9181002-08	9181061-80	9181061-80
4	Start Capacitor	9181003-36	9181003-35	9181003-27	9181003-27
5	Relay	9181004-24	9181004-22	9181004-15	9181004-15
6	Overload	9181005-33	9181005-29	N/A	N/A
7	Water Valve	9041059-01	9041059-01	9041059-01	9041059-01
7	Water Valve Kit (includes Drier)	9041059-101	9041059-101	9041059-101	9041059-101
8	Drain Fitting (Water Condenser)	3051201-01	3051201-01	3051201-01	3051201-01
9	Screw #8-32 x 1/2 SS	9031008-07	9031008-07	9031008-07	9031008-07
10	Valve Cap	9091086-03	9091086-03	9091086-03	9091086-03
11	Valve Core	9091086-02	9091086-02	9091086-02	9091086-02
12	Filter Drier	9151004-02	9151004-02	9151004-02	9151004-02
13	Water Condenser	9141022-01	9141022-01	9141022-01	9141022-01
14	1/2-13 Self Anchoring Nut Retainer	9031012-02	9031012-02	9031012-02	9031012-02
15	Purge Valve	9041105-04	9041105-04	9041105-05	9041105-05
16	#8-18 x 1/2 SEMS S.M. Screw	9031081-01	9031081-01	9031081-01	9031081-01
17	8A Tinnerman Nut	9031035-01	9031035-01	9031035-01	9031035-01
18	Expansion Valve	9151006-16	9151006-16	9151006-10	9151006-10
18	Expansion Valve (Beg. Ser. J1)		9151157-101		
19	Expansion Valve Thermal Bulb Clamp	9021033-04	9021033-04	9021033-04	9021033-04
20	High Temperature Safety Control	9041087-03	9041087-03	9041087-03	9041087-03
21	Hot Gas Valve Coil	9151123-03	9151123-03	9151123-04	9151123-04
22	Hot Gas Valve Body	9151123-01	9151123-05	9151123-01	9151123-01
22	Hot Gas Valve Body Kit (Includes Drier)	9151123-101	9151123-105	9151123-101	9151123-101
23	Bracket, Service Valve	3012848-01	3012848-01	3012848-01	3012848-01

Description	Compressor Components			
	ICEU150	ICEU200	ICEU205	ICEU206
Compressor Kit	9181115-11	9181113-11	9181084-13	9181084-13
Overload	9181005-33	9181005-29	N/A	N/A
Start Capacitor	9181003-26	9181003-03	9181003-27	9181003-27
Compressor Relay	9181004-24	9181004-22	9181004-15	9181004-15

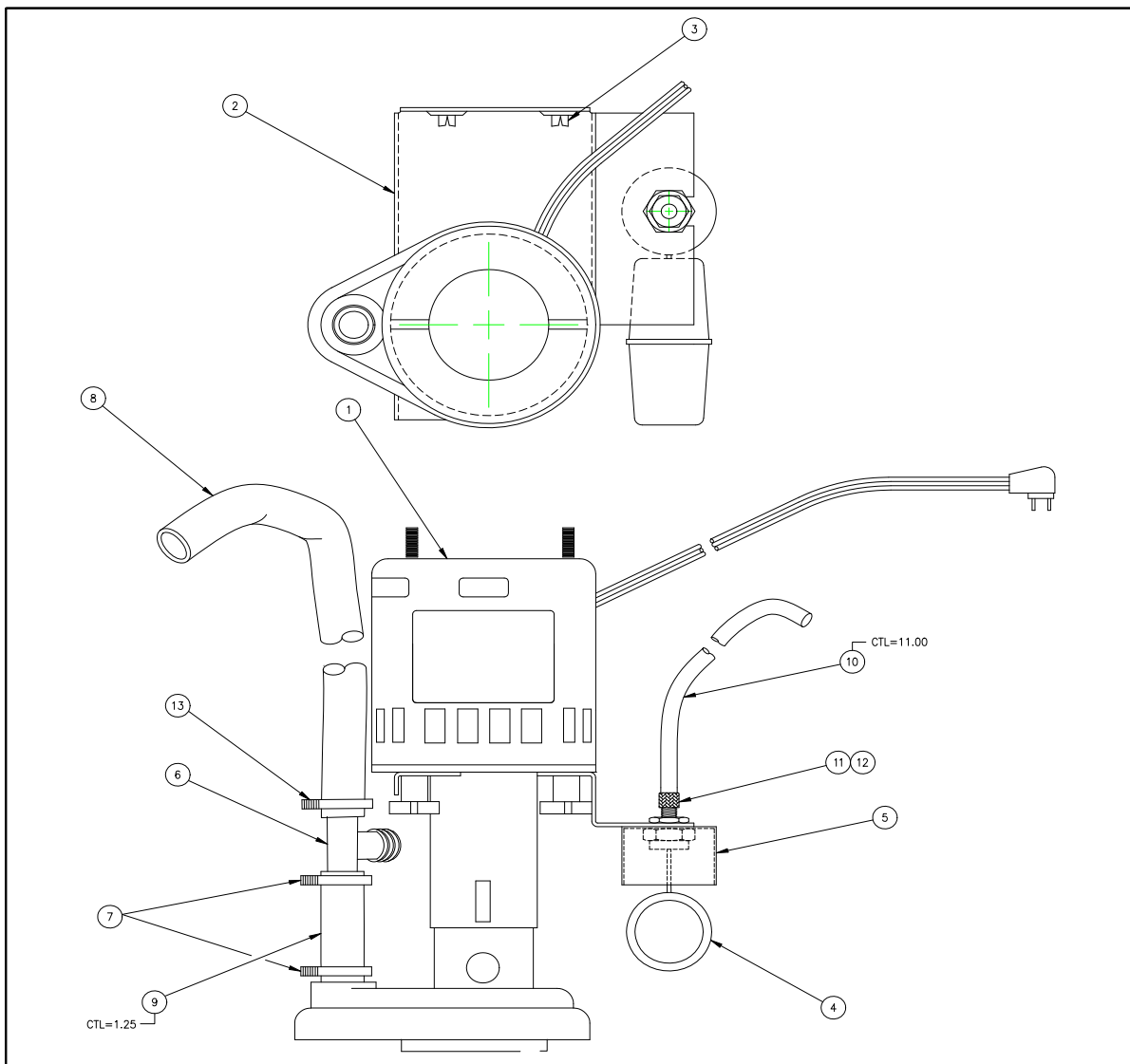


**ICE Undercounter Service Parts****Control Box Assembly**

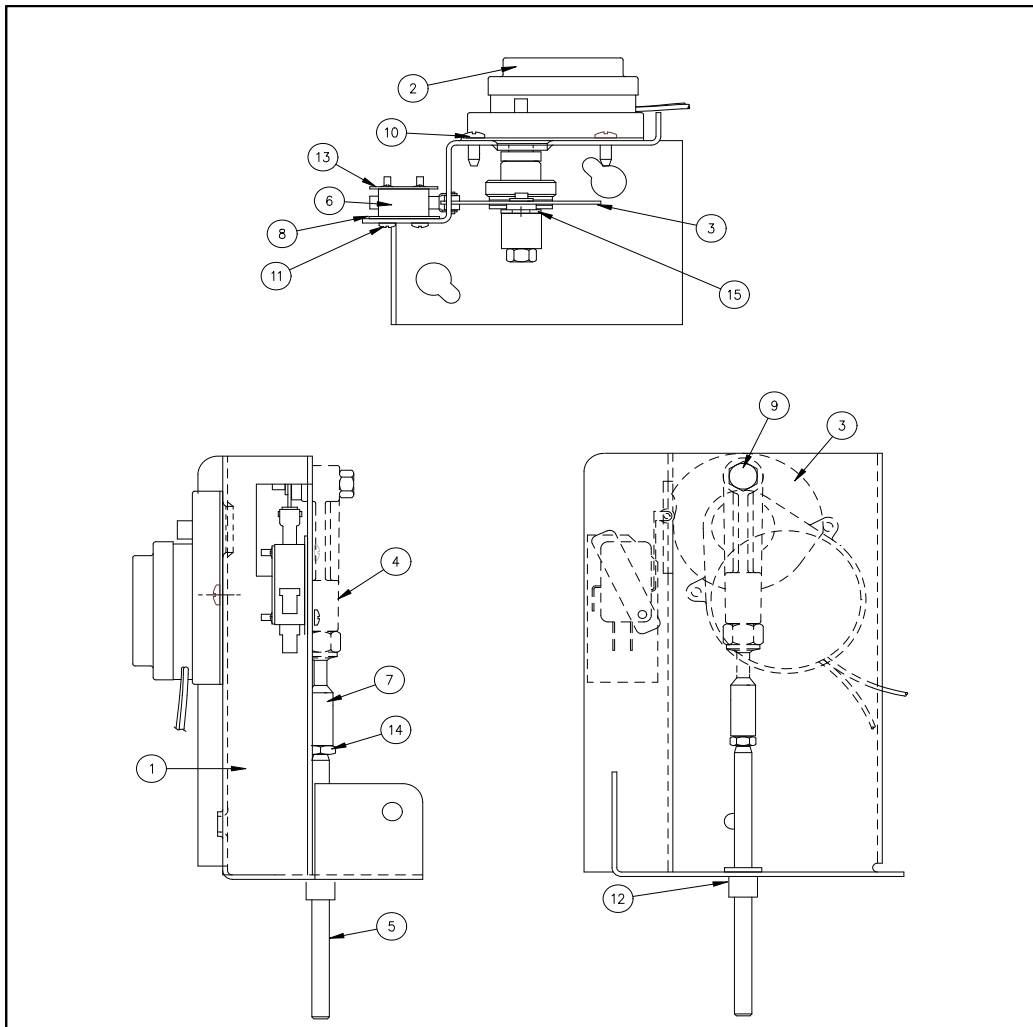
Item	Description	ICEU150	ICEU200	ICEU205	ICEU206
1	Water Pump Connector	9101218-01	9101218-01	9101218-01	9101218-01
2	Terminal Block	9101037-01	9101037-01	9101037-01	9101037-01
3	Switch-Purge	9101139-03	9101139-03	9101139-03	9101139-03
4	Ice/Off/Wash Switch	9101195-01	9101195-01	9101195-01	9101195-01
5	Thermostat-Bin Control	9041004-02	9041004-02	9041004-02	9041004-02
6	Screw 8-32 x 3/8	9031008-02	9031008-02	9031008-02	9031008-02
7	Low Pressure Control (Timer Initiate)	9041094-01	9041094-01	9041094-01	9041094-01
7	Low Pressure Control (Includes Drier)	9041094-101	9041094-101	9041094-101	9041094-101
8	Screw 6-32 x 3/8	9031008-22	9031008-22	9031008-22	9031008-22
9	High Pressure Control	9041095-01	9041095-01	9041095-02	9041095-02
9	High Pressure Control (Includes Drier)	9041095-101	9041095-101	9041095-102	9041095-102
10	Screw 6-32 x 3/8	9031008-22	9031008-22	9031008-22	9031008-22
11	Timing Module	9101148-01	9101148-01	9101148-01	9101148-01
12	Screw #8 x 1 S.M.	9031046-06	9031046-06	9031046-06	9031046-06
13	Relay	9101084-01	9101084-01	9101084-02	9101084-02
14	Socket-Relay	9101083-01	9101083-01	9101083-01	9101083-01
15	Screw #6 x 1/2 S.M.	9031046-05	9031046-05	9031046-05	9031046-05
16	Purge Valve	9041086-04	9041086-04	9041086-05	9041086-05
16A	Purge Valve Coil Only	9041086-91	9041086-91	9041086-92	9041086-92
17	8A Tinnerman Speed Nut	9031035-01	9031035-01	9031035-01	9031035-01
18	#8-18 x 1/2 Sems S.M. Screw	9031081-01	9031081-01	9031081-01	9031081-01
19	Hold Down Spring - Relay	9101083-02	9101083-02	9101083-02	9101083-02
20	Tube Conduit, Plastic	3051192-01	3051192-01	3051192-01	3051192-01

Item	Description	ICEU150	ICEU200	ICEU205	ICEU206
1	Water Pump 115 V	9161076-01	9161076-01		
1	Water Pump 230 V			9161076-02	9161076-02
	Thumbscrew for Water Pump (2 Req)	9161076-101	9161076-101	9161076-101	9161076-101
2	Pump Bracket	3012847-01	3012847-01	3012847-01	3012847-01
3	Plastic Nut	9031141-01	9031141-01	9031141-01	9031141-01
4	Float	9131111-01	9131111-01	9131111-01	9131111-01
5	Cap Plug	9131026-02	9131026-02	9131026-02	9131026-02
6	Plastic Barbed Tee 5/8	9091024-01	9091024-01	9091024-01	9091024-01
7	Plastic Clamp	9021010-04	9021010-04	9021010-04	9021010-04
8	Hose PVC 9/16 (Formed)	9051280-05	9051280-05	9051280-05	9051280-05
9	Hose PVC 5/8 - 1.25 Inch Required	6021015-04	6021015-04	6021015-04	6021015-04
10	Tube-Polyethylene - 11 Inches Required	6021032-01	6021032-01	6021032-01	6021032-01
11	Barrel Fitting	9091080-01	9091080-01	9091080-01	9091080-01
12	Sleeve	9091081-01	9091081-01	9091081-01	9091081-01
13	Plastic Clamp	9021010-03	9021010-03	9021010-03	9021010-03

**Please note:** Thumbscrews are shipped with the Water Pumps when ordered as a service replacement part.



Item	Description	ICEU150	ICEU200	ICEU205	ICEU206
1	Probe Motor Bracket	3012890-01	3012890-01	3012890-01	3012890-01
2	Gear Motor 115 V	9161030-01	9161030-01		
2	Gear Motor 230 V			9161031-01	9161031-01
3	Clutch Assembly	9131190-01	9131190-01	9131190-01	9131190-01
4	Connecting Rod	9051057-01	9051057-01	9051057-01	9051057-01
5	Probe Shaft	9131189-01	9131189-01	9131189-01	9131189-01
6	Limit Switch	9101160-01	9101160-01	9101160-01	9101160-01
7	Swivel for 9131189-01 Shaft	9021017-02	9021017-02	9021017-02	9021017-02
8	Switch Insulator	3051145-01	3051145-01	3051145-01	3051145-01
9	Shoulder Screw	9031119-01	9031119-01	9031119-01	9031119-01
10	Screw #6-32 x 1/2 Fillister Head	9031019-08	9031019-08	9031019-08	9031019-08
11	Pan Head Machine Screw #4-40 x 3/4 S/S	9031008-16	9031008-16	9031008-16	9031008-16
12	Snap Bushing	9051001-13	9051001-13	9051001-13	9051001-13
13	Speed Nut Plate	9031120-01	9031120-01	9031120-01	9031120-01
14	Hex Nut #10-32	9031005-03	9031005-03	9031005-03	9031005-03
15	Washer #10	9031003-03	9031003-03	9031003-03	9031003-03
	Harvest Asssist Assembly (Complete)	2061962-01S	2061962-01S	2061962-02S	2061962-02S



Item	Description	ICEU150	ICEU200	ICEU205	ICEU206
1	Bracket, Probe Motor	3013170-01	3013170-01	3013170-01	3013170-01
2	Gear Motor	9161030-01	9161030-01	9161031-01	9161031-01
3	Clutch Assembly	9131190-01	9131190-01	9131190-01	9131190-01
4	Snap Bushing	9051001-13	9051001-13	9051001-13	9051001-13
5	Snap Bushing	9051001-03	9051001-03	9051001-03	9051001-03
6	#6-32 x 1/2 Screw	9031019-08	9031019-08	9031019-08	9031019-08
7	Connecting Rod	9051057-01	9051057-01	9051057-01	9051057-01
8	Probe, Single Length	9021102-01	9021102-01	9021102-01	9021102-01
9	Flat Washer	9031003-03	9031003-03	9031003-03	9031003-03
10	Shoulder Screw	9031119-01	9031119-01	9031119-01	9031119-01
11	Spacer, Cam Switch	9051519-01	9051519-01	9051519-01	9051519-01
12	Cam Switch	9101160-01	9101160-01	9101160-01	9101160-01
13	Insulator	3051145-02	3051145-02	3051145-02	3051145-02
14	Pan Head Screw	9031008-44	9031008-44	9031008-44	9031008-44
15	Speed Nut Plate	9031120-01	9031120-01	9031120-01	9031120-01
	Complete Assembly	2061962-01S	2061962-01S	2061962-01S	2061962-01S

