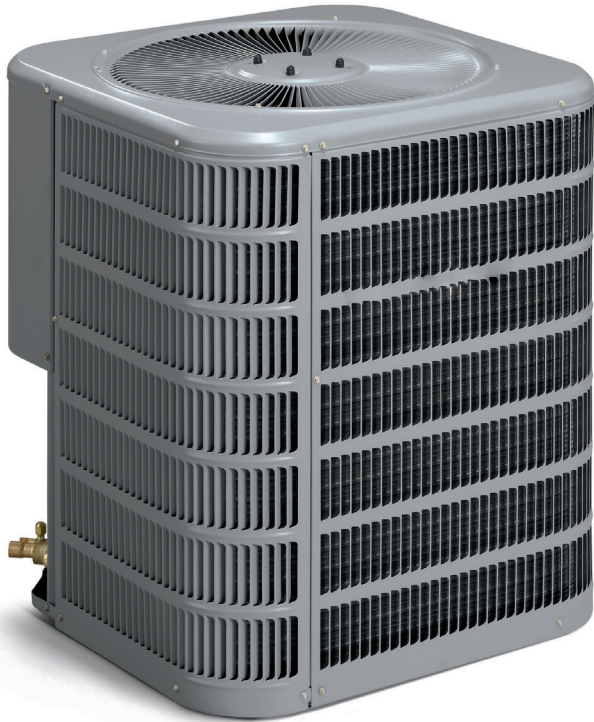


# 4AC14L

## PRODUCT SPECIFICATIONS

## SPLIT SYSTEM AIR CONDITIONER

FORM NO. 4AC14L-100 (02/2014)



- R410A Refrigerant
- Durable compressors with internal pressure relief valves and inherent thermal protection
- High-quality condenser coil with copper tubing and enhanced louvered fin for maximum heat transfer capacity
- Top discharge directs hot air and sound away from living area and shrubbery
- All units are factory run tested
- Available with louvered panel coil protection
- Easy access to electrical panels, pre-wired for easy hook-up to internal components
- 45-degree service valves for easy hook-up and service
- Liquid line filter drier shipped loose
- All units ETL and ETL approved and AHRI listed
- Charged for 15 feet of interconnecting tubing

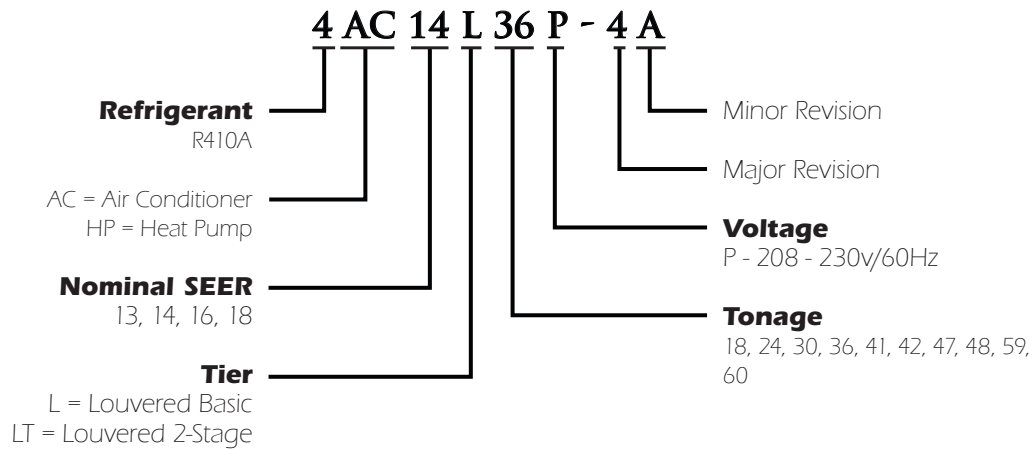
### WARRANTY

10 year limited warranty on compressor, 10 year limited warranty on all parts, extended warranty available\*

\*Warranty provides for a total of 10 years of limited warranty coverage (Standard 5-year limited parts warranty plus an additional 5-year limited extended parts warranty). Warranty must be registered online within 60 days of installation to qualify for 10-year coverage. Unregistered equipment defaults to 5-year coverage. Lifetime limited heat exchanger warranty applies to registered equipment only (Standard 20 years with no online registration). See full warranty at [www.alliedair.com](http://www.alliedair.com) for terms, conditions and exclusions.



### Model Number Guide



### Electrical and Physical Data

Model	Voltage/ Hz/ Phase	Voltage Range	Min. Circuit Amp.	Maximum Over Current Device (amps)	Compressor		Fan Motor			Refrig. Charge (oz.)*	Shipping Weight (lbs.)
					Rated Load (Amps)	Locked Rotor (Amps)	Full Load Amps	Rated HP	Nom. RPM		
4AC14L18P-3	208-230/60/1	197-253	12.0	20	9.0	48	0.7	1/10	1075	91	138
4AC14L24P-4, 5	208-230/60/1	197-253	18.7	30	13.4	58	1.1	1/6	825	92	146
4AC14L30P-3	208-230/60/1	197-253	17.2	30	12.9	64	1.1	1/6	825	107	172
4AC14L36P-3	208-230/60/1	197-253	18.7	30	14.1	77	1.1	1/6	825	107	177
4AC14L41P-3	208-230/60/2	197-254	22.8	35	16.7	79	1.7	1/4	825	161	210
4AC14L42P-4	208-230/60/3	197-255	24.1	40	17.9	112	1.7	1/4	825	138	208
4AC14L47P-3	208-230/60/4	197-256	26.7	45	19.9	109	1.8	1/3	825	179	251
4AC14L48P-4, 5	208-230/60/1	197-253	27.9	45	19.8	109	1.7	1/4	825	174	220
4AC14L59P-4	208-230/60/1	197-253	34.1	50	25.0	134	2.8	1/3	825	178	235
4AC14L60P-4	208-230/60/1	197-253	34.8	60	26.4	134	1.8	1/3	825	192	253

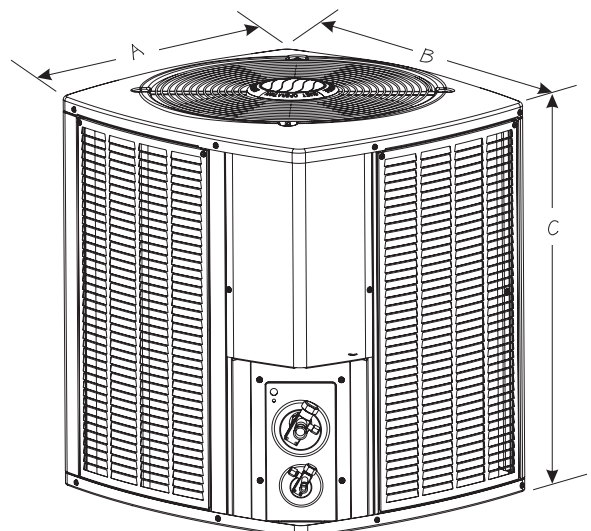
Note: Weights listed are unit weights with packaging

\* Factory charged for 15 feet of line set. Adjust per Installation Instructions

### Dimensions (in.) and Sound Ratings

Model	Dimensions			Sound Rating (dBA)
	A - width (in.)	B - depth (in.)	C - height (in.)	
4AC14L18P-3	24.25	24.25	28.5	76
4AC14L24P-4, 5	28.25	28.25	28.5	76
4AC14L30P-3	28.25	28.25	36.5	76
4AC14L36P-3	28.25	28.25	36.5	76
4AC14L41P-3	28.25	28.25	36.5	76
4AC14L42P-4	28.25	28.25	28.5	80
4AC14L47P-3	32.25	32.25	32.5	80
4AC14L48P-4, 5	28.25	28.25	32.5	80
4AC14L59P-4	32.25	32.25	32.5	78
4AC14L60P-4	32.25	32.25	32.5	80

Note: Dimensions listed are unit sizes without packaging



### Cooling Performance with Evaporator Coils

Outdoor Model	Indoor Model	SEER	EER	AHRI Rated Capacity <sup>1</sup> BTUH	Sensible Capacity BTUH	CFM	Refrigerant Connection				Refrigerant Line Size		Indoor Expansion Device	
	Evaporator Coil <sup>3</sup>						Outdoor		Indoor		Suction	Liquid	Piston <sup>2</sup>	TXV
							Suction	Liquid	Suction	Liquid				
4AC14L18P-3	E*1P23A,B+TDR	14.00	12.00	18000	12600	650	3/4	3/8	3/4	3/8	3/4	3/8	0.053	A4TXV01
	E*1P29A,B+TDR	14.00	12.00	18000	12600	650	3/4	3/8	3/4	3/8	3/4	3/8	0.053	A4TXV01
4AC14L24P-4, 5	E*1P23A,B+TDR	14.00	12.00	23000	17000	850	3/4	3/8	3/4	3/8	3/4	3/8	0.057	A4TXV01
	E*1P24A+TDR	14.00	12.00	23000	17000	850	3/4	3/8	3/4	3/8	3/4	3/8	0.057	A4TXV01
	E*1P29A,B+TDR	14.00	12.00	23000	17000	850	3/4	3/8	3/4	3/8	3/4	3/8	0.057	A4TXV01
	E*1P30A,B,C+TDR	14.00	12.00	23000	17000	850	3/4	3/8	3/4	3/8	3/4	3/8	0.057	A4TXV01
	E*1P36A,B,C+TDR	14.00	12.00	23000	17000	850	3/4	3/8	3/4	3/8	3/4	3/8	0.057	A4TXV01
4AC14L30P-3	E*1P29A,B+TDR	14.00	12.00	28000	21500	1000	3/4	3/8	3/4	3/8	3/4	3/8	0.065	A4TXV01
	E*1P36A,B,C+TDR	14.00	12.00	28000	21500	1000	3/4	3/8	3/4	3/8	3/4	3/8	0.065	A4TXV01
	E*1P43B,C+TDR	13.50	11.00	28000	21500	1000	3/4	3/8	3/4	3/8	3/4	3/8	0.065	A4TXV01
4AC14L36P-3	E*1P36B,C+TDR	14.00	12.00	34000	24800	1200	7/8	3/8	7/8	3/8	7/8	3/8	0.071	A4TXV01
	E*1P43B,C+TDR	14.00	12.00	34000	24800	1200	7/8	3/8	7/8	3/8	7/8	3/8	0.071	A4TXV01
	E*1P48B,C+TDR	14.00	11.50	34000	24800	1200	7/8	3/8	7/8	3/8	7/8	3/8	0.071	A4TXV01
	E*1P49C+TDR	14.00	12.00	34000	24800	1200	7/8	3/8	7/8	3/8	7/8	3/8	0.071	A4TXV01
4AC14L41P-3	E*1P49C+TDR	14.00	12.00	38000	30000	1400	7/8	3/8	7/8	3/8	7/8	3/8	0.074	A4TXV02
	E*P62C+TDR	14.00	12.00	38000	30000	1400	7/8	3/8	7/8	3/8	7/8	3/8	0.074	A4TXV02
4AC14L42P-4	E*1P49C+TDR	14.00	11.50	40000	30300	1400	7/8	3/8	7/8	3/8	7/8	3/8	0.076	A4TXV02
	E*1P62C+TDR	14.00	11.50	40000	30340	1400	7/8	3/8	7/8	3/8	7/8	3/8	0.076	A4TXV02
4AC14L47P-3	E*1P49C+TDR	15.10	12.50	47000	34800	1600	7/8	3/8	7/8	3/8	7/8	3/8	0.080	A4TXV02
	E*1P62D+TDR	15.10	12.50	47000	34800	1600	7/8	3/8	7/8	3/8	7/8	3/8	0.080	A4TXV02
	E*1P62C+TDR	15.10	12.50	47000	34800	1600	7/8	3/8	7/8	3/8	7/8	3/8	0.080	A4TXV02
4AC14L48P-4, 5	E*1P62C+TDR	14.00	12.00	46500	35300	1600	7/8	3/8	7/8	3/8	7/8	3/8	0.083	A4TXV02
	E*1P62D+TDR	14.00	12.00	46500	35300	1600	7/8	3/8	7/8	3/8	7/8	3/8	0.083	A4TXV02
	E*1P60D+TDR	14.00	12.00	45500	34500	1600	7/8	3/8	7/8	3/8	7/8	3/8	0.083	A4TXV02
	E*1P49C+TDR	14.00	12.00	46500	35300	1600	7/8	3/8	7/8	3/8	7/8	3/8	0.083	A4TXV02
4AC14L59P-4	E*1P62C+TDR	14.00	12.00	57000	41000	1800	7/8	3/8	7/8	3/8	1 1/8	3/8	0.093	A4TXV02
	E*1P62D+TDR	14.00	12.00	57000	41000	1800	7/8	3/8	7/8	3/8	1 1/8	3/8	0.093	A4TXV02
4AC14L60P-4	E*1P62C+TDR	14.00	12.00	58000	41800	1800	1 1/8	3/8	7/8	3/8	1 1/8	3/8	0.093	A4TXV02
	E*1P62D+TDR	13.50	11.50	57000	41000	1800	1 1/8	3/8	7/8	3/8	1 1/8	3/8	0.093	A4TXV02

Note:  
 1 Certified in accordance with Unitary Air Conditioner Certification Program, which is based on AHRI Standard 210/240  
 2 Required to achieve AHRI rating. If NA (Not Applicable) is in the piston column, then TXV is required.  
 3 A blower time delay relay is required to achieve AHRI rating. This feature is standard on all Allied Air Enterprises furnace and AH products.

## Cooling Performance with Air Handlers and Furnaces 18

Outdoor Model	Indoor Model	Variable Speed Furnace	SEER	EER	Rated ARI Capacity <sup>1</sup> BTUH	Rated Sensible Capacity BTUH	CFM	Refrigerant Connection				Refrigerant Line Size		Indoor Expansion Device	
	Evaporator Coil or Air Handler <sup>3</sup>							Outdoor		Indoor		Suction	Liquid	Piston <sup>2</sup>	TXV
								Suction	Liquid	Suction	Liquid				
4AC14L18P-3	BCS3M18C****P		14.00	12.00	18000	12600	650	3/4	3/8	3/4	3/8	3/4	3/8	0.053	A4TXV01
	BCS2M24V****P		15.10	12.50	18000	12600	650	3/4	3/8	3/4	3/8	3/4	3/8	0.053	A4TXV01
	E*1P23B	EFV08B	15.10	12.50	18000	12600	650	3/4	3/8	3/4	3/8	3/4	3/8	0.053	A4TXV01
	E*1P23B	95G1UH045BE12	15.10	12.50	18000	12600	650	3/4	3/8	3/4	3/8	3/4	3/8	0.053	A4TXV01
	E*1P23B	95G1DF045BE12	15.10	12.50	18000	12600	650	3/4	3/8	3/4	3/8	3/4	3/8	0.053	A4TXV01
	E*1P23B	95G2UH045BV12	15.10	12.50	18000	12600	650	3/4	3/8	3/4	3/8	3/4	3/8	0.053	A4TXV01
	E*1P23B	95G2DF045BV12	15.10	12.50	18000	12600	650	3/4	3/8	3/4	3/8	3/4	3/8	0.053	A4TXV01
	E*1P23B	95G1UH070BE12	15.00	12.50	18000	12600	650	3/4	3/8	3/4	3/8	3/4	3/8	0.053	A4TXV01
	E*1P23B	95G2UH070BV12	15.10	12.50	18000	12600	650	3/4	3/8	3/4	3/8	3/4	3/8	0.053	A4TXV01
	E*1P23B	95G2DF070BV16	15.10	12.50	18000	12600	650	3/4	3/8	3/4	3/8	3/4	3/8	0.053	A4TXV01
	E*1P23A	80G1UH045AE12	15.10	12.50	18000	12600	650	3/4	3/8	3/4	3/8	3/4	3/8	0.053	A4TXV01
	E*1P23A	80G1DF045AE12	15.11	12.51	18001	12600	650	3/4	3/8	3/4	3/8	3/4	3/8	0.053	A4TXV01
	E*1P23B	80G1UH070BE12	15.10	12.50	18000	12600	650	3/4	3/8	3/4	3/8	3/4	3/8	0.053	A4TXV01
	E*1P23B	80G1DF070BE12	15.10	12.50	18000	12600	650	3/4	3/8	3/4	3/8	3/4	3/8	0.053	A4TXV01
	E*1P29B	EFV08B	15.10	12.50	18000	12600	650	3/4	3/8	3/4	3/8	3/4	3/8	0.053	A4TXV01
	E*1P29B	95G1UH045BE12	15.10	12.50	18000	12600	650	3/4	3/8	3/4	3/8	3/4	3/8	0.053	A4TXV01
	E*1P29B	95G1DF045BE12	15.10	12.50	18000	12600	650	3/4	3/8	3/4	3/8	3/4	3/8	0.053	A4TXV01
	E*1P29B	95G2UH045BV12	15.10	12.50	18000	12600	650	3/4	3/8	3/4	3/8	3/4	3/8	0.053	A4TXV01
	E*1P29B	95G2DF045BV12	15.10	12.50	18000	12600	650	3/4	3/8	3/4	3/8	3/4	3/8	0.053	A4TXV01
	E*1P29B	95G1UH070BE12	15.10	12.50	18000	12600	650	3/4	3/8	3/4	3/8	3/4	3/8	0.053	A4TXV01
	E*1P29B	95G2UH070BV12	15.10	12.50	18000	12600	650	3/4	3/8	3/4	3/8	3/4	3/8	0.053	A4TXV01
	E*1P29B	95G2DF070BV16	15.10	12.50	18000	12600	650	3/4	3/8	3/4	3/8	3/4	3/8	0.053	A4TXV01
	E*1P29A	80G1UH045AE12	15.10	12.50	18000	12600	650	3/4	3/8	3/4	3/8	3/4	3/8	0.053	A4TXV01
	E*1P29A	80G1DF045AE12	15.10	12.50	18000	12600	650	3/4	3/8	3/4	3/8	3/4	3/8	0.053	A4TXV01
	E*1P29B	80G1UH070BE12	15.10	12.50	18000	12600	650	3/4	3/8	3/4	3/8	3/4	3/8	0.053	A4TXV01
	E*1P29B	80G1DF070BE12	15.10	12.50	18000	12600	650	3/4	3/8	3/4	3/8	3/4	3/8	0.053	A4TXV01

Note:

<sup>1</sup> Certified in accordance with Unitary Air Conditioner Certification Program, which is based on AHRI Standard 210/240

<sup>2</sup> Required to achieve AHRI rating. If NA (Not Applicable) is in the piston column, then TXV is required.

<sup>3</sup> A blower time delay relay is required to achieve AHRI rating. This feature is standard on all Allied Air Enterprises furnace and AH products.

Cooling Performance with Air Handlers and Furnaces 24

Outdoor Model	Indoor Model	Variable Speed Furnace	SEER	EER	Rated ARI Capacity <sup>1</sup> BTUH	Rated Sensible Capacity BTUH	CFM	Refrigerant Connection				Refrigerant Line Size		Indoor Expansion Device	
	Evaporator Coil or Air Handler <sup>3</sup>							Outdoor		Indoor		Suction	Liquid	Piston <sup>2</sup>	TXV
								Suction	Liquid	Suction	Liquid				
4AC14L24P-4, 5	BCS3M24C****P		14.00	12.00	23000	17000	850	3/4	3/8	3/4	3/8	3/4	3/8	0.057	A4TXV01
	BCS2M24V****P		16.00	13.00	23000	17000	850	3/4	3/8	3/4	3/8	3/4	3/8	0.057	A4TXV01
	E*1P23B	EFV08B	15.10	12.00	23000	17000	850	3/4	3/8	3/4	3/8	3/4	3/8	0.057	A4TXV01
	E*1P23A	80G1UH045AE12	15.10	12.00	23000	17000	850	3/4	3/8	3/4	3/8	3/4	3/8	0.057	A4TXV01
	E*1P23A	80G1DF045AE12	15.10	12.00	23000	17000	850	3/4	3/8	3/4	3/8	3/4	3/8	0.057	A4TXV01
	E*1P23B	80G1UH070BE12	14.50	12.00	23000	17000	850	3/4	3/8	3/4	3/8	3/4	3/8	0.057	A4TXV01
	E*1P23A	80G1DF070BE12	14.50	12.00	23000	17000	850	3/4	3/8	3/4	3/8	3/4	3/8	0.057	A4TXV01
	E*1P23B	95G1UH045BE12	15.10	12.00	23000	17000	850	3/4	3/8	3/4	3/8	3/4	3/8	0.057	A4TXV01
	E*1P23B	95G1DF045BE12	15.10	12.00	23000	17000	850	3/4	3/8	3/4	3/8	3/4	3/8	0.057	A4TXV01
	E*1P23B	95G1UH070BE12	15.10	12.00	23000	17000	850	3/4	3/8	3/4	3/8	3/4	3/8	0.057	A4TXV01
	E*1P23B	95G1DF070BE16	15.10	12.00	23000	17000	850	3/4	3/8	3/4	3/8	3/4	3/8	0.057	A4TXV01
	E*1P23B	95G2UH045BV12	15.10	12.00	23000	17000	850	3/4	3/8	3/4	3/8	3/4	3/8	0.057	A4TXV01
	E*1P23B	95G2DF045BV12	15.10	12.00	23000	17000	850	3/4	3/8	3/4	3/8	3/4	3/8	0.057	A4TXV01
	E*1P23B	95G2UH070BV12	15.10	12.00	23000	17000	850	3/4	3/8	3/4	3/8	3/4	3/8	0.057	A4TXV01
	E*1P23B	95G2DF070BV16	15.10	12.00	23000	17000	850	3/4	3/8	3/4	3/8	3/4	3/8	0.057	A4TXV01
	E*1P24B	EFV08B	15.10	12.00	23000	17000	850	3/4	3/8	3/4	3/8	3/4	3/8	0.057	A4TXV01
	E*1P24A	80G1UH045AE12	15.10	12.00	23000	17000	850	3/4	3/8	3/4	3/8	3/4	3/8	0.057	A4TXV01
	E*1P24A	80G1DF045AE12	15.10	12.00	23000	17000	850	3/4	3/8	3/4	3/8	3/4	3/8	0.057	A4TXV01
	E*1P24B	80G1UH070BE12	14.50	12.00	23000	17000	850	3/4	3/8	3/4	3/8	3/4	3/8	0.057	A4TXV01
	E*1P24B	80G1DF070BE12	14.50	12.00	23000	17000	850	3/4	3/8	3/4	3/8	3/4	3/8	0.057	A4TXV01
	E*1P24B	95G1UH045BE12	15.10	12.00	23000	17000	850	3/4	3/8	3/4	3/8	3/4	3/8	0.057	A4TXV01
	E*1P24B	95G1DF045BE12	15.10	12.00	23000	17000	850	3/4	3/8	3/4	3/8	3/4	3/8	0.057	A4TXV01
	E*1P24B	95G1UH070BE12	15.10	12.00	23000	17000	850	3/4	3/8	3/4	3/8	3/4	3/8	0.057	A4TXV01
	E*1P24B	95G1DF070BE16	15.10	12.00	23000	17000	850	3/4	3/8	3/4	3/8	3/4	3/8	0.057	A4TXV01
	E*1P24B	95G2UH045BV12	15.10	12.00	23000	17000	850	3/4	3/8	3/4	3/8	3/4	3/8	0.057	A4TXV01
	E*1P24B	95G2DF045BV12	15.10	12.00	23000	17000	850	3/4	3/8	3/4	3/8	3/4	3/8	0.057	A4TXV01
	E*1P24B	95G2UH070BV12	15.10	12.00	23000	17000	850	3/4	3/8	3/4	3/8	3/4	3/8	0.057	A4TXV01
	E*1P24B	95G2DF070BV16	15.10	12.00	23000	17000	850	3/4	3/8	3/4	3/8	3/4	3/8	0.057	A4TXV01
	E*1P29B	EFV08B	15.10	12.00	23000	17000	850	3/4	3/8	3/4	3/8	3/4	3/8	0.057	A4TXV01
	E*1P29A	80G1UH045AE12	15.10	12.00	23000	17000	850	3/4	3/8	3/4	3/8	3/4	3/8	0.057	A4TXV01
	E*1P29A	80G1DF045AE12	15.10	12.00	23000	17000	850	3/4	3/8	3/4	3/8	3/4	3/8	0.057	A4TXV01
	E*1P29B	80G1UH070BE12	15.10	12.00	23000	17000	850	3/4	3/8	3/4	3/8	3/4	3/8	0.057	A4TXV01
E*1P29B	80G1DF070BE12	15.10	12.00	23000	17000	850	3/4	3/8	3/4	3/8	3/4	3/8	0.057	A4TXV01	
E*1P29B	95G1UH045BE12	15.10	12.00	23000	17000	850	3/4	3/8	3/4	3/8	3/4	3/8	0.057	A4TXV01	

Note:

1 Certified in accordance with Unitary Air Conditioner Certification Program, which is based on AHRI Standard 210/240

2 Required to achieve AHRI rating. If NA (Not Applicable) is in the piston column, then TXV is required.

3 A blower time delay relay is required to achieve AHRI rating. This feature is standard on all Allied Air Enterprises furnace and AH products.

Cooling Performance with Air Handlers and Furnaces 24

Outdoor Model	Indoor Model	Variable Speed Furnace	SEER	EER	Rated ARI Capacity <sup>1</sup> BTUH	Rated Sensible Capacity BTUH	CFM	Refrigerant Connection				Refrigerant Line Size		Indoor Expansion Device	
	Evaporator Coil or Air Handler <sup>3</sup>							Outdoor		Indoor		Suction	Liquid	Piston <sup>2</sup>	TXV
								Suction	Liquid	Suction	Liquid				
4AC14L24P-4, 5	E*1P29B	95G1DF045BE12	15.10	12.00	23000	17000	850	3/4	3/8	3/4	3/8	3/4	3/8	0.057	A4TXV01
	E*1P29B	95G1UH070BE12	15.10	12.00	23000	17000	850	3/4	3/8	3/4	3/8	3/4	3/8	0.057	A4TXV01
	E*1P29B	95G1DF070BE16	15.10	12.00	23000	17000	850	3/4	3/8	3/4	3/8	3/4	3/8	0.057	A4TXV01
	E*1P29B	95G2UH045BV12	15.10	12.00	23000	17000	850	3/4	3/8	3/4	3/8	3/4	3/8	0.057	A4TXV01
	E*1P29B	95G2DF045BV12	15.10	12.00	23000	17000	850	3/4	3/8	3/4	3/8	3/4	3/8	0.057	A4TXV01
	E*1P29B	95G2UH070BV12	15.10	12.00	23000	17000	850	3/4	3/8	3/4	3/8	3/4	3/8	0.057	A4TXV01
	E*1P29B	95G2DF070BV16	15.10	12.00	23000	17000	850	3/4	3/8	3/4	3/8	3/4	3/8	0.057	A4TXV01
	E*1P30B	EFV08B	15.10	12.00	23000	17000	850	3/4	3/8	3/4	3/8	3/4	3/8	0.057	A4TXV01
	E*1P30A	80G1UH045AE12	15.10	12.00	23000	17000	850	3/4	3/8	3/4	3/8	3/4	3/8	0.057	A4TXV01
	E*1P30A	80G1DF045AE12	15.10	12.00	23000	17000	850	3/4	3/8	3/4	3/8	3/4	3/8	0.057	A4TXV01
	E*1P30B	80G1UH070BE12	15.10	12.00	23000	17000	850	3/4	3/8	3/4	3/8	3/4	3/8	0.057	A4TXV01
	E*1P30B	80G1DF070BE12	15.10	12.00	23000	17000	850	3/4	3/8	3/4	3/8	3/4	3/8	0.057	A4TXV01
	E*1P30B	95G1UH045BE12	15.10	12.00	23000	17000	850	3/4	3/8	3/4	3/8	3/4	3/8	0.057	A4TXV01
	E*1P30B	95G1DF045BE12	15.10	12.00	23000	17000	850	3/4	3/8	3/4	3/8	3/4	3/8	0.057	A4TXV01
	E*1P30B	95G1UH070BE12	15.10	12.00	23000	17000	850	3/4	3/8	3/4	3/8	3/4	3/8	0.057	A4TXV01
	E*1P30B	95G1DF070BE16	15.10	12.00	23000	17000	850	3/4	3/8	3/4	3/8	3/4	3/8	0.057	A4TXV01
	E*1P30B	95G2UH045BV12	15.10	12.00	23000	17000	850	3/4	3/8	3/4	3/8	3/4	3/8	0.057	A4TXV01
	E*1P30B	95G2DF045BV12	15.10	12.00	23000	17000	850	3/4	3/8	3/4	3/8	3/4	3/8	0.057	A4TXV01
	E*1P30B	95G2UH070BV12	15.10	12.00	23000	17000	850	3/4	3/8	3/4	3/8	3/4	3/8	0.057	A4TXV01
	E*1P30B	95G2DF070BV16	15.10	12.00	23000	17000	850	3/4	3/8	3/4	3/8	3/4	3/8	0.057	A4TXV01
	E*1P36B	EFV08B	15.10	12.00	23000	17000	850	3/4	3/8	3/4	3/8	3/4	3/8	0.057	A4TXV01
	E*1P36A	80G1UH045AE12	15.10	12.00	23000	17000	850	3/4	3/8	3/4	3/8	3/4	3/8	0.057	A4TXV01
	E*1P36A	80G1DF045AE12	15.10	12.00	23000	17000	850	3/4	3/8	3/4	3/8	3/4	3/8	0.057	A4TXV01
	E*1P36B	80G1UH070BE12	15.10	12.00	23000	17000	850	3/4	3/8	3/4	3/8	3/4	3/8	0.057	A4TXV01
	E*1P36B	80G1DF070BE12	15.10	12.00	23000	17000	850	3/4	3/8	3/4	3/8	3/4	3/8	0.057	A4TXV01
	E*1P36B	95G1UH045BE12	15.10	12.00	23000	17000	850	3/4	3/8	3/4	3/8	3/4	3/8	0.057	A4TXV01
	E*1P36B	95G1DF045BE12	15.10	12.00	23000	17000	850	3/4	3/8	3/4	3/8	3/4	3/8	0.057	A4TXV01
	E*1P36B	95G1UH070BE12	15.10	12.00	23000	17000	850	3/4	3/8	3/4	3/8	3/4	3/8	0.057	A4TXV01
	E*1P36B	95G1DF070BE16	15.10	12.00	23000	17000	850	3/4	3/8	3/4	3/8	3/4	3/8	0.057	A4TXV01
	E*1P36B	95G2UH045BV12	15.10	12.00	23000	17000	850	3/4	3/8	3/4	3/8	3/4	3/8	0.057	A4TXV01
E*1P36B	95G2DF045BV12	15.10	12.00	23000	17000	850	3/4	3/8	3/4	3/8	3/4	3/8	0.057	A4TXV01	
E*1P36B	95G2UH070BV12	15.10	12.00	23000	17000	850	3/4	3/8	3/4	3/8	3/4	3/8	0.057	A4TXV01	
E*1P36B	95G2DF070BV16	15.10	12.00	23000	17000	850	3/4	3/8	3/4	3/8	3/4	3/8	0.057	A4TXV01	

Note:

<sup>1</sup> Certified in accordance with Unitary Air Conditioner Certification Program, which is based on AHRI Standard 210/240

<sup>2</sup> Required to achieve AHRI rating. If NA (Not Applicable) is in the piston column, then TXV is required.

<sup>3</sup> A blower time delay relay is required to achieve AHRI rating. This feature is standard on all Allied Air Enterprises furnace and AH products.

Cooling Performance with Air Handlers and Furnaces 30

Outdoor Model	Indoor Model	Variable Speed Furnace	SEER	EER	Rated ARI Capacity <sup>1</sup> BTUH	Rated Sensible Capacity BTUH	CFM	Refrigerant Connection				Refrigerant Line Size		Indoor Expansion Device	
	Evaporator Coil or Air Handler <sup>3</sup>							Outdoor		Indoor		Suction	Liquid	Piston <sup>2</sup>	TXV
								Suction	Liquid	Suction	Liquid				
4AC14L30P-3	BCS3M30C****P		14.00	11.50	27000	20700	1000	3/4	3/8	3/4	3/8	3/4	3/8	0.065	A4TXV01
	BCS2M36V****P		15.10	12.50	28000	21500	1000	3/4	3/8	3/4	3/8	3/4	3/8	0.065	A4TXV01
	E*1P29B	EFV12B	14.50	12.00	28000	21500	1000	3/4	3/8	3/4	3/8	3/4	3/8	0.065	A4TXV01
	E*1P29B	95G1UH045BE12	15.10	12.50	28000	21500	1000	3/4	3/8	3/4	3/8	3/4	3/8	0.065	A4TXV01
	E*1P29B	95G1DF045BE12	15.10	12.50	28000	21500	1000	3/4	3/8	3/4	3/8	3/4	3/8	0.065	A4TXV01
	E*1P29B	95G2UH045BV12	15.10	12.50	28000	21500	1000	3/4	3/8	3/4	3/8	3/4	3/8	0.065	A4TXV01
	E*1P29B	95G2DF045BV12	15.00	12.00	28000	21500	1000	3/4	3/8	3/4	3/8	3/4	3/8	0.065	A4TXV01
	E*1P29B	95G1UH070BE12	15.10	12.50	28000	21500	1000	3/4	3/8	3/4	3/8	3/4	3/8	0.065	A4TXV01
	E*1P29B	95G2UH070BV12	15.10	12.50	28000	21500	1000	3/4	3/8	3/4	3/8	3/4	3/8	0.065	A4TXV01
	E*1P29B	95G1DF070BE16	15.10	12.50	28000	21500	1000	3/4	3/8	3/4	3/8	3/4	3/8	0.065	A4TXV01
	E*1P29B	95G2DF070BV16	15.00	12.00	28000	21500	1000	3/4	3/8	3/4	3/8	3/4	3/8	0.065	A4TXV01
	E*1P29A	80G1UH045AE12	15.10	12.50	28000	21500	1000	3/4	3/8	3/4	3/8	3/4	3/8	0.065	A4TXV01
	E*1P29A	80G1DF045AE12	15.00	12.00	28000	21500	1000	3/4	3/8	3/4	3/8	3/4	3/8	0.065	A4TXV01
	E*1P29A	80G1UH070BE12	14.50	12.50	28000	21500	1000	3/4	3/8	3/4	3/8	3/4	3/8	0.065	A4TXV01
	E*1P29A	80G1DF070BE12	15.10	12.50	28000	21500	1000	3/4	3/8	3/4	3/8	3/4	3/8	0.065	A4TXV01
	E*1P29B	80G1UH090BE16	15.10	12.50	28000	21500	1000	3/4	3/8	3/4	3/8	3/4	3/8	0.065	A4TXV01
	E*1P29B	80G1DF090BE16	15.10	12.50	28000	21500	1000	3/4	3/8	3/4	3/8	3/4	3/8	0.065	A4TXV01
	E*1P36B	EFV12B	15.10	12.50	28000	21500	1000	3/4	3/8	3/4	3/8	3/4	3/8	0.065	A4TXV01
	E*1P36C	EFV16C	15.10	12.50	28000	21500	1000	3/4	3/8	3/4	3/8	3/4	3/8	0.065	A4TXV01
	E*1P36B	95G1UH045BE12	15.10	12.50	28000	21500	1000	3/4	3/8	3/4	3/8	3/4	3/8	0.065	A4TXV01
	E*1P36B	95G1DF045BE12	15.10	12.50	28000	21500	1000	3/4	3/8	3/4	3/8	3/4	3/8	0.065	A4TXV01
	E*1P36B	95G2UH045BV12	15.10	12.50	28000	21500	1000	3/4	3/8	3/4	3/8	3/4	3/8	0.065	A4TXV01
	E*1P36B	95G2DF045BV12	15.10	12.50	28000	21500	1000	3/4	3/8	3/4	3/8	3/4	3/8	0.065	A4TXV01
	E*1P36B	95G1UH070BE12	15.10	12.50	28000	21500	1000	3/4	3/8	3/4	3/8	3/4	3/8	0.065	A4TXV01
	E*1P36B	95G2UH070BV12	15.10	12.50	28000	21500	1000	3/4	3/8	3/4	3/8	3/4	3/8	0.065	A4TXV01
	E*1P36B	95G1DF070BE16	15.10	12.50	28000	21500	1000	3/4	3/8	3/4	3/8	3/4	3/8	0.065	A4TXV01
	E*1P36B	95G2DF070BV16	15.10	12.50	28000	21500	1000	3/4	3/8	3/4	3/8	3/4	3/8	0.065	A4TXV01
	E*1P36C	95G2UH090CV12	15.10	12.50	28000	21500	1000	3/4	3/8	3/4	3/8	3/4	3/8	0.065	A4TXV01
	E*1P36C	95G1UH090CE16	15.10	12.50	28000	21500	1000	3/4	3/8	3/4	3/8	3/4	3/8	0.065	A4TXV01
	E*1P36C	95G1DF090CE16	15.00	12.00	28000	21500	1000	3/4	3/8	3/4	3/8	3/4	3/8	0.065	A4TXV01

Note:

<sup>1</sup> Certified in accordance with Unitary Air Conditioner Certification Program, which is based on AHRI Standard 210/240

<sup>2</sup> Required to achieve AHRI rating. If NA (Not Applicable) is in the piston column, then TXV is required.

<sup>3</sup> A blower time delay relay is required to achieve AHRI rating. This feature is standard on all Allied Air Enterprises furnace and AH products.

Cooling Performance with Air Handlers and Furnaces 30

Outdoor Model	Indoor Model	Variable Speed Furnace	SEER	EER	Rated ARI Capacity <sup>1</sup> BTUH	Rated Sensible Capacity BTUH	CFM	Refrigerant Connection				Refrigerant Line Size		Indoor Expansion Device	
	Evaporator Coil or Air Handler <sup>3</sup>							Outdoor		Indoor		Suction	Liquid	Piston <sup>2</sup>	TXV
								Suction	Liquid	Suction	Liquid				
4AC14L30P-3	E*1P36C	95G2DF090CV20	15.10	12.50	28000	21500	1000	3/4	3/8	3/4	3/8	3/4	3/8	0.065	A4TXV01
	E*1P36C	95G2DF110CV20	15.10	12.50	28000	21500	1000	3/4	3/8	3/4	3/8	3/4	3/8	0.065	A4TXV01
	E*1P36A	80G1UH045AE12	15.10	12.50	28000	21500	1000	3/4	3/8	3/4	3/8	3/4	3/8	0.065	A4TXV01
	E*1P36A	80G1DF045AE12	15.10	12.50	28000	21500	1000	3/4	3/8	3/4	3/8	3/4	3/8	0.065	A4TXV01
	E*1P36B	80G1UH070BE12	15.10	12.50	28000	21500	1000	3/4	3/8	3/4	3/8	3/4	3/8	0.065	A4TXV01
	E*1P36B	80G1DF070BE12	15.10	12.50	28000	21500	1000	3/4	3/8	3/4	3/8	3/4	3/8	0.065	A4TXV01
	E*1P36B	80G1UH090BE16	15.10	12.50	28000	21500	1000	3/4	3/8	3/4	3/8	3/4	3/8	0.065	A4TXV01
	E*1P36B	80G1DF090BE16	15.10	12.50	28000	21500	1000	3/4	3/8	3/4	3/8	3/4	3/8	0.065	A4TXV01
	E*1P43B	95G1UH045BE12	15.10	12.50	28000	21500	1000	3/4	3/8	3/4	3/8	3/4	3/8	0.065	A4TXV01
	E*1P43B	95G1DF045BE12	15.10	12.50	28000	21500	1000	3/4	3/8	3/4	3/8	3/4	3/8	0.065	A4TXV01
	E*1P43B	95G2UH045BV12	15.10	12.50	28000	21500	1000	3/4	3/8	3/4	3/8	3/4	3/8	0.065	A4TXV01
	E*1P43B	95G2DF045BV12	15.10	12.50	28000	21500	1000	3/4	3/8	3/4	3/8	3/4	3/8	0.065	A4TXV01
	E*1P43B	95G1UH070BE12	15.10	12.50	28000	21500	1000	3/4	3/8	3/4	3/8	3/4	3/8	0.065	A4TXV01
	E*1P43B	95G2UH070BV12	15.10	12.50	28000	21500	1000	3/4	3/8	3/4	3/8	3/4	3/8	0.065	A4TXV01
	E*1P43B	95G1DF070BE16	15.10	12.50	28000	21500	1000	3/4	3/8	3/4	3/8	3/4	3/8	0.065	A4TXV01
	E*1P43B	95G2DF070BV16	15.10	12.50	28000	21500	1000	3/4	3/8	3/4	3/8	3/4	3/8	0.065	A4TXV01
	E*1P43C	95G2UH090CV12	15.10	12.50	28000	21500	1000	3/4	3/8	3/4	3/8	3/4	3/8	0.065	A4TXV01
	E*1P43C	95G1UH090CE16	15.10	12.50	28000	21500	1000	3/4	3/8	3/4	3/8	3/4	3/8	0.065	A4TXV01
	E*1P43C	95G1DF090CE16	14.50	12.00	28000	21500	1000	3/4	3/8	3/4	3/8	3/4	3/8	0.065	A4TXV01
	E*1P43C	95G2DF090CV20	15.10	12.50	28000	21500	1000	3/4	3/8	3/4	3/8	3/4	3/8	0.065	A4TXV01
	E*1P43C	95G2DF110CV20	15.10	12.50	28000	21500	1000	3/4	3/8	3/4	3/8	3/4	3/8	0.065	A4TXV01
	E*1P43B	80G1UH070BE12	15.10	12.50	28000	21500	1000	3/4	3/8	3/4	3/8	3/4	3/8	0.065	A4TXV01
	E*1P43B	80G1DF070BE12	15.10	12.50	28000	21500	1000	3/4	3/8	3/4	3/8	3/4	3/8	0.065	A4TXV01
	E*1P43B	80G1UH090BE16	15.10	12.50	28000	21500	1000	3/4	3/8	3/4	3/8	3/4	3/8	0.065	A4TXV01
	E*1P43B	80G1DF090BE16	15.10	12.50	28000	21500	1000	3/4	3/8	3/4	3/8	3/4	3/8	0.065	A4TXV01

Note:

<sup>1</sup> Certified in accordance with Unitary Air Conditioner Certification Program, which is based on AHRI Standard 210/240

<sup>2</sup> Required to achieve AHRI rating. If NA (Not Applicable) is in the piston column, then TXV is required.

<sup>3</sup> A blower time delay relay is required to achieve AHRI rating. This feature is standard on all Allied Air Enterprises furnace and AH products.



Cooling Performance with Air Handlers and Furnaces 36

Outdoor Model	Indoor Model	Variable Speed Furnace	SEER	EER	Rated ARI Capacity <sup>1</sup> BTUH	Rated Sensible Capacity BTUH	CFM	Refrigerant Connection				Refrigerant Line Size		Indoor Expansion Device	
	Evaporator Coil or Air Handler <sup>3</sup>							Outdoor		Indoor		Suction	Liquid	Piston <sup>2</sup>	TXV
								Suction	Liquid	Suction	Liquid				
4AC14L36P-3	BCS3M36C****P		13.50	11.50	33000	24000	1200	7/8	3/8	7/8	3/8	7/8	3/8	0.071	A4TXV01
	BCS2M36V****P		15.10	12.50	34000	24800	1200	7/8	3/8	7/8	3/8	7/8	3/8	0.071	A4TXV01
	E*1P36B	EFV12B	15.10	12.50	34000	24800	1200	7/8	3/8	7/8	3/8	7/8	3/8	0.071	A4TXV01
	E*1P36C	EFV16C	15.10	12.50	34000	24800	1200	7/8	3/8	7/8	3/8	7/8	3/8	0.071	A4TXV01
	E*1P36B	95G2UH045BV12	14.50	12.00	34000	24800	1200	7/8	3/8	7/8	3/8	7/8	3/8	0.071	A4TXV01
	E*1P36B	95G2DF045BV12	14.50	12.00	34000	24800	1200	7/8	3/8	7/8	3/8	7/8	3/8	0.071	A4TXV01
	E*1P36B	95G1DF070BE16	15.10	12.50	34000	24800	1200	7/8	3/8	7/8	3/8	7/8	3/8	0.071	A4TXV01
	E*1P36B	95G2UH070BV12	14.50	12.00	34000	24800	1200	7/8	3/8	7/8	3/8	7/8	3/8	0.071	A4TXV01
	E*1P36C	95G2UH090CV12	15.10	12.50	34000	24800	1200	7/8	3/8	7/8	3/8	7/8	3/8	0.071	A4TXV01
	E*1P36C	95G1UH090CE16	15.10	12.50	34000	24800	1200	7/8	3/8	7/8	3/8	7/8	3/8	0.071	A4TXV01
	E*1P36C	95G1DF090CE16	15.10	12.50	34000	24800	1200	7/8	3/8	7/8	3/8	7/8	3/8	0.071	A4TXV01
	E*1P36C	95G2UH090CV20	15.10	12.50	34000	24800	1200	7/8	3/8	7/8	3/8	7/8	3/8	0.071	A4TXV01
	E*1P36C	95G2DF090CV20	15.10	12.50	34000	24800	1200	7/8	3/8	7/8	3/8	7/8	3/8	0.071	A4TXV01
	E*1P36C	95G1UH110CE20	15.10	12.50	34000	24800	1200	7/8	3/8	7/8	3/8	7/8	3/8	0.071	A4TXV01
	E*1P36C	95G1DF110CE20	15.10	12.50	34000	24800	1200	7/8	3/8	7/8	3/8	7/8	3/8	0.071	A4TXV01
	E*1P36C	95G2UH110CV20	15.10	12.50	34000	24800	1200	7/8	3/8	7/8	3/8	7/8	3/8	0.071	A4TXV01
	E*1P36C	95G2DF110CV20	15.10	12.50	34000	24800	1200	7/8	3/8	7/8	3/8	7/8	3/8	0.071	A4TXV01
	E*1P36B	80G1UH070BE12	14.50	12.00	34000	24800	1200	7/8	3/8	7/8	3/8	7/8	3/8	0.071	A4TXV01
	E*1P36B	80G1DF070BE12	14.50	12.00	34000	24800	1200	7/8	3/8	7/8	3/8	7/8	3/8	0.071	A4TXV01
	E*1P36B	80G1UH090BE16	14.50	12.00	34000	24800	1200	7/8	3/8	7/8	3/8	7/8	3/8	0.071	A4TXV01
	E*1P36B	80G1DF090BE16	15.10	12.50	34000	24800	1200	7/8	3/8	7/8	3/8	7/8	3/8	0.071	A4TXV01
	E*1P36B	80G1UH090CE20	14.50	12.00	34000	24800	1200	7/8	3/8	7/8	3/8	7/8	3/8	0.071	A4TXV01
	E*1P36B	80G1UH110CE20	14.50	12.00	34000	24800	1200	7/8	3/8	7/8	3/8	7/8	3/8	0.071	A4TXV01
	E*1P36C	80G1DF110CE20	14.50	12.00	34000	24800	1200	7/8	3/8	7/8	3/8	7/8	3/8	0.071	A4TXV01
	E*1P43B	EFV12B	15.10	12.50	34000	24800	1200	7/8	3/8	7/8	3/8	7/8	3/8	0.071	A4TXV01
	E*1P43C	EFV16C	15.10	12.50	34000	24800	1200	7/8	3/8	7/8	3/8	7/8	3/8	0.071	A4TXV01
	E*1P43B	95G2UH045BV12	14.50	12.00	34000	24800	1200	7/8	3/8	7/8	3/8	7/8	3/8	0.071	A4TXV01
	E*1P43B	95G2DF045BV12	14.50	12.00	34000	24800	1200	7/8	3/8	7/8	3/8	7/8	3/8	0.071	A4TXV01
	E*1P43B	95G1UH070BE12	14.50	12.00	34000	24800	1200	7/8	3/8	7/8	3/8	7/8	3/8	0.071	A4TXV01
	E*1P43B	95G2UH070BV12	14.50	12.00	34000	24800	1200	7/8	3/8	7/8	3/8	7/8	3/8	0.071	A4TXV01
	E*1P43B	95G1DF070BE16	15.10	12.50	34000	24800	1200	7/8	3/8	7/8	3/8	7/8	3/8	0.071	A4TXV01
	E*1P43C	95G2DF070BV16	15.10	12.50	34000	24800	1200	7/8	3/8	7/8	3/8	7/8	3/8	0.071	A4TXV01
	E*1P43C	95G2UH090CV12	15.10	12.50	34000	24800	1200	7/8	3/8	7/8	3/8	7/8	3/8	0.071	A4TXV01
	E*1P43C	95G1UH090CE16	15.10	12.50	34000	24800	1200	7/8	3/8	7/8	3/8	7/8	3/8	0.071	A4TXV01
	E*1P43C	95G1DF090CE16	15.10	12.50	34000	24800	1200	7/8	3/8	7/8	3/8	7/8	3/8	0.071	A4TXV01
	E*1P43C	95G2UH090CV20	15.10	12.50	34000	24800	1200	7/8	3/8	7/8	3/8	7/8	3/8	0.071	A4TXV01
E*1P43C	95G2DF090CV20	15.10	12.50	34000	24800	1200	7/8	3/8	7/8	3/8	7/8	3/8	0.071	A4TXV01	
E*1P43C	95G1UH110CE20	15.10	12.50	34000	24800	1200	7/8	3/8	7/8	3/8	7/8	3/8	0.071	A4TXV01	
E*1P43C	95G1DF110CE20	15.10	12.50	34000	24800	1200	7/8	3/8	7/8	3/8	7/8	3/8	0.071	A4TXV01	
E*1P43C	95G2UH110CV20	15.10	12.50	34000	24800	1200	7/8	3/8	7/8	3/8	7/8	3/8	0.071	A4TXV01	
E*1P43C	95G2DF110CV20	15.10	12.50	34000	24800	1200	7/8	3/8	7/8	3/8	7/8	3/8	0.071	A4TXV01	

Cooling Performance with Air Handlers and Furnaces 36

Outdoor Model	Indoor Model	Variable Speed Furnace	SEER	EER	Rated ARI Capacity <sup>1</sup> BTUH	Rated Sensible Capacity BTUH	CFM	Refrigerant Connection				Refrigerant Line Size		Indoor Expansion Device	
	Evaporator Coil or Air Handler <sup>3</sup>							Outdoor		Indoor		Suction	Liquid	Piston <sup>2</sup>	TXV
								Suction	Liquid	Suction	Liquid				
4AC14L36P-3	E*1P43B	80G1UH070BE12	14.50	12.00	34000	24800	1200	7/8	3/8	7/8	3/8	7/8	3/8	0.071	A4TXV01
	E*1P43B	80G1DF070BE12	14.50	12.00	34000	24800	1200	7/8	3/8	7/8	3/8	7/8	3/8	0.071	A4TXV01
	E*1P43B	80G1UH090BE16	15.10	12.50	34000	24800	1200	7/8	3/8	7/8	3/8	7/8	3/8	0.071	A4TXV01
	E*1P43B	80G1DF090BE16	15.10	12.50	34000	24800	1200	7/8	3/8	7/8	3/8	7/8	3/8	0.071	A4TXV01
	E*1P43C	80G1UH090CE20	15.10	12.50	34000	24800	1200	7/8	3/8	7/8	3/8	7/8	3/8	0.071	A4TXV01
	E*1P43C	80G1UH110CE20	15.10	12.50	34000	24800	1200	7/8	3/8	7/8	3/8	7/8	3/8	0.071	A4TXV01
	E*1P43C	80G1DF110CE20	15.10	12.50	34000	24800	1200	7/8	3/8	7/8	3/8	7/8	3/8	0.071	A4TXV01
	E*1P48B	95G2UH045BV12	14.50	12.00	34000	24800	1200	7/8	3/8	7/8	3/8	7/8	3/8	0.071	A4TXV01
	E*1P48B	95G2DF045BV12	14.50	12.00	34000	24800	1200	7/8	3/8	7/8	3/8	7/8	3/8	0.071	A4TXV01
	E*1P48B	95G1UH070BE12	14.50	12.00	34000	24800	1200	7/8	3/8	7/8	3/8	7/8	3/8	0.071	A4TXV01
	E*1P48B	95G2UH070BV12	14.50	12.00	34000	24800	1200	7/8	3/8	7/8	3/8	7/8	3/8	0.071	A4TXV01
	E*1P48B	95G1DF070BE16	14.50	12.00	34000	24800	1200	7/8	3/8	7/8	3/8	7/8	3/8	0.071	A4TXV01
	E*1P48B	95G2DF070BV16	14.50	12.00	34000	24800	1200	7/8	3/8	7/8	3/8	7/8	3/8	0.071	A4TXV01
	E*1P48C	95G2UH090CV12	15.10	12.50	34000	24800	1200	7/8	3/8	7/8	3/8	7/8	3/8	0.071	A4TXV01
	E*1P48C	95G1UH090CE16	15.10	12.50	34000	24800	1200	7/8	3/8	7/8	3/8	7/8	3/8	0.071	A4TXV01
	E*1P48C	95G1DF090CE16	15.10	12.50	34000	24800	1200	7/8	3/8	7/8	3/8	7/8	3/8	0.071	A4TXV01
	E*1P48C	95G2UH090CV20	15.00	12.50	34000	24800	1200	7/8	3/8	7/8	3/8	7/8	3/8	0.071	A4TXV01
	E*1P48C	95G2DF090CV20	15.10	12.50	34000	24800	1200	7/8	3/8	7/8	3/8	7/8	3/8	0.071	A4TXV01
	E*1P48C	95G1UH110CE20	15.10	12.50	34000	24800	1200	7/8	3/8	7/8	3/8	7/8	3/8	0.071	A4TXV01
	E*1P48C	95G1DF110CE20	15.10	12.50	34000	24800	1200	7/8	3/8	7/8	3/8	7/8	3/8	0.071	A4TXV01
	E*1P48C	95G2UH110CV20	15.10	12.50	34000	24800	1200	7/8	3/8	7/8	3/8	7/8	3/8	0.071	A4TXV01
	E*1P48C	95G2DF110CV20	15.10	12.50	34000	24800	1200	7/8	3/8	7/8	3/8	7/8	3/8	0.071	A4TXV01
	E*1P48B	80G1UH070BE12	14.50	12.00	34000	24800	1200	7/8	3/8	7/8	3/8	7/8	3/8	0.071	A4TXV01
	E*1P48B	80G1DF070BE12	14.50	12.00	34000	24800	1200	7/8	3/8	7/8	3/8	7/8	3/8	0.071	A4TXV01
	E*1P48B	80G1UH090BE16	14.50	12.00	34000	24800	1200	7/8	3/8	7/8	3/8	7/8	3/8	0.071	A4TXV01
	E*1P48B	80G1DF090BE16	15.10	12.50	34000	24800	1200	7/8	3/8	7/8	3/8	7/8	3/8	0.071	A4TXV01
	E*1P48C	80G1UH090CE20	15.10	12.50	34000	24800	1200	7/8	3/8	7/8	3/8	7/8	3/8	0.071	A4TXV01
	E*1P48C	80G1UH110CE20	15.10	12.50	34000	24800	1200	7/8	3/8	7/8	3/8	7/8	3/8	0.071	A4TXV01
	E*1P48C	80G1DF110CE20	15.10	12.50	34000	24800	1200	7/8	3/8	7/8	3/8	7/8	3/8	0.071	A4TXV01
	E*1P49C	95G2UH090CV12	15.00	12.50	34000	24800	1200	7/8	3/8	7/8	3/8	7/8	3/8	0.071	A4TXV01
	E*1P49C	95G1UH090CE16	15.10	12.50	34000	24800	1200	7/8	3/8	7/8	3/8	7/8	3/8	0.071	A4TXV01
	E*1P49C	95G1DF090CE16	15.10	12.50	34000	24800	1200	7/8	3/8	7/8	3/8	7/8	3/8	0.071	A4TXV01
	E*1P49C	95G2UH090CV20	15.00	12.50	34000	24800	1200	7/8	3/8	7/8	3/8	7/8	3/8	0.071	A4TXV01
	E*1P49C	95G2DF090CV20	15.00	12.50	34000	24800	1200	7/8	3/8	7/8	3/8	7/8	3/8	0.071	A4TXV01
	E*1P49C	95G1UH110CE20	15.10	12.50	34000	24800	1200	7/8	3/8	7/8	3/8	7/8	3/8	0.071	A4TXV01
	E*1P49C	95G1DF110CE20	15.10	12.50	34000	24800	1200	7/8	3/8	7/8	3/8	7/8	3/8	0.071	A4TXV01
	E*1P49C	95G2UH110CV20	15.10	12.50	34000	24800	1200	7/8	3/8	7/8	3/8	7/8	3/8	0.071	A4TXV01
	E*1P49C	95G2DF110CV20	15.00	12.50	34000	24800	1200	7/8	3/8	7/8	3/8	7/8	3/8	0.071	A4TXV01
	E*1P49C	80G1UH090CE20	15.10	12.50	34000	24800	1200	7/8	3/8	7/8	3/8	7/8	3/8	0.071	A4TXV01
	E*1P49C	80G1UH110CE20	15.10	12.50	34000	24800	1200	7/8	3/8	7/8	3/8	7/8	3/8	0.071	A4TXV01
E*1P49C	80G1DF110CE20	15.10	12.50	34000	24800	1200	7/8	3/8	7/8	3/8	7/8	3/8	0.071	A4TXV01	

Cooling Performance with Air Handlers and Furnaces 41

Outdoor Model	Indoor Model	Variable Speed Furnace	SEER	EER	Rated ARI Capacity <sup>1</sup> BTUH	Rated Sensible Capacity BTUH	CFM	Refrigerant Connection				Refrigerant Line Size		Indoor Expansion Device	
	Evaporator Coil or Air Handler <sup>3</sup>							Outdoor		Indoor		Suction	Liquid	Piston <sup>2</sup>	TXV
								Suction	Liquid	Suction	Liquid				
4AC14L41P-3	BCS3M42C****P		14.00	12.00	38000	30000	1400	7/8	3/8	7/8	3/8	7/8	3/8	0.074	A4TXV02
	BCS2M42V****P		16.00	13.00	38000	30000	1400	7/8	3/8	7/8	3/8	7/8	3/8	0.074	A4TXV02
	E*1P49C	EFV16C	15.10	12.50	38000	30000	1400	7/8	3/8	7/8	3/8	7/8	3/8	0.074	A4TXV02
	E*1P49C	95G1UH090CE16	15.10	12.50	38000	30000	1400	7/8	3/8	7/8	3/8	7/8	3/8	0.074	A4TXV02
	E*1P49C	95G2UH090CV20	15.10	12.50	38000	30000	1400	7/8	3/8	7/8	3/8	7/8	3/8	0.074	A4TXV02
	E*1P49C	95G2DF090CV20	15.10	12.50	38000	30000	1400	7/8	3/8	7/8	3/8	7/8	3/8	0.074	A4TXV02
	E*1P49C	95G1UH110CE20	15.10	12.50	38000	30000	1400	7/8	3/8	7/8	3/8	7/8	3/8	0.074	A4TXV02
	E*1P49C	95G1DF110CE20	15.10	12.50	38000	30000	1400	7/8	3/8	7/8	3/8	7/8	3/8	0.074	A4TXV02
	E*1P49C	95G2UH110CV20	15.10	12.50	38000	30000	1400	7/8	3/8	7/8	3/8	7/8	3/8	0.074	A4TXV02
	E*1P49C	95G2DF110CV20	15.10	12.50	38000	30000	1400	7/8	3/8	7/8	3/8	7/8	3/8	0.074	A4TXV02
	E*1P49C	80G1UH090CE20	15.10	13.00	38000	30000	1400	7/8	3/8	7/8	3/8	7/8	3/8	0.074	A4TXV02
	E*1P49C	80G1UH110CE20	15.10	13.00	38000	30000	1400	7/8	3/8	7/8	3/8	7/8	3/8	0.074	A4TXV02
	E*1P49C	80G1DF110CE20	15.10	13.00	38000	30000	1400	7/8	3/8	7/8	3/8	7/8	3/8	0.074	A4TXV02
	E*1P62C	EFV16C	15.10	12.50	38000	30000	1400	7/8	3/8	7/8	3/8	7/8	3/8	0.074	A4TXV02
	E*1P62C	95G1UH090CE16	15.10	12.50	38000	30000	1400	7/8	3/8	7/8	3/8	7/8	3/8	0.074	A4TXV02
	E*1P62C	95G2UH090CV20	15.10	12.50	38000	30000	1400	7/8	3/8	7/8	3/8	7/8	3/8	0.074	A4TXV02
	E*1P62C	95G2DF090CV20	15.10	12.50	38000	30000	1400	7/8	3/8	7/8	3/8	7/8	3/8	0.074	A4TXV02
	E*1P62C	95G1UH110CE20	15.10	12.50	38000	30000	1400	7/8	3/8	7/8	3/8	7/8	3/8	0.074	A4TXV02
	E*1P62C	95G1DF110CE20	15.10	12.50	38000	30000	1400	7/8	3/8	7/8	3/8	7/8	3/8	0.074	A4TXV02
	E*1P62C	95G2UH110CV20	15.10	12.50	38000	30000	1400	7/8	3/8	7/8	3/8	7/8	3/8	0.074	A4TXV02
	E*1P62C	95G2DF110CV20	15.10	12.50	38000	30000	1400	7/8	3/8	7/8	3/8	7/8	3/8	0.074	A4TXV02
	E*1P62C	80G1UH090CE20	15.10	12.50	38000	30000	1400	7/8	3/8	7/8	3/8	7/8	3/8	0.074	A4TXV02
	E*1P62C	80G1UH110CE20	15.10	12.50	38000	30000	1400	7/8	3/8	7/8	3/8	7/8	3/8	0.074	A4TXV02
	E*1P62C	80G1DF110CE20	15.10	12.50	38000	30000	1400	7/8	3/8	7/8	3/8	7/8	3/8	0.074	A4TXV02

Note:

<sup>1</sup> Certified in accordance with Unitary Air Conditioner Certification Program, which is based on AHRI Standard 210/240

<sup>2</sup> Required to achieve AHRI rating. If NA (Not Applicable) is in the piston column, then TXV is required.

<sup>3</sup> A blower time delay relay is required to achieve AHRI rating. This feature is standard on all Allied Air Enterprises furnace and AH products.

## Cooling Performance with Air Handlers and Furnaces 42

Outdoor Model	Indoor Model	Variable Speed Furnace	SEER	EER	Rated ARI Capacity <sup>1</sup> BTUH	Rated Sensible Capacity BTUH	CFM	Refrigerant Connection				Refrigerant Line Size		Indoor Expansion Device	
	Evaporator Coil or Air Handler <sup>3</sup>							Outdoor		Indoor		Suction	Liquid	Piston <sup>2</sup>	TXV
								Suction	Liquid	Suction	Liquid				
4AC14L42P-4	BCS3M42C****P		14.00	11.50	40000	30000	1400	7/8	3/8	7/8	3/8	7/8	3/8	0.076	A4TXV02
	BCS2M42V****P		14.00	11.50	40000	30000	1400	7/8	3/8	7/8	3/8	7/8	3/8	0.076	A4TXV02
	E*1P49C	EFV16C	14.50	12.00	41000	30300	1400	7/8	3/8	7/8	3/8	7/8	3/8	0.076	A4TXV02
	E*1P49C	95G1UH090CE16	15.10	12.00	40000	30000	1400	7/8	3/8	7/8	3/8	7/8	3/8	0.076	A4TXV02
	E*1P49C	95G1DF090CE16	15.10	12.00	40000	30000	1400	7/8	3/8	7/8	3/8	7/8	3/8	0.076	A4TXV02
	E*1P49C	95G2UH090CV20	14.50	12.00	40000	30000	1400	7/8	3/8	7/8	3/8	7/8	3/8	0.076	A4TXV02
	E*1P49C	95G2DF090CV20	14.50	12.00	40000	30000	1400	7/8	3/8	7/8	3/8	7/8	3/8	0.076	A4TXV02
	E*1P49C	95G1UH110CE20	15.00	12.00	40000	30000	1400	7/8	3/8	7/8	3/8	7/8	3/8	0.076	A4TXV02
	E*1P49C	95G1DF110CE20	15.00	12.00	40000	30000	1400	7/8	3/8	7/8	3/8	7/8	3/8	0.076	A4TXV02
	E*1P49C	95G2UH110CV20	15.00	12.00	40000	30000	1400	7/8	3/8	7/8	3/8	7/8	3/8	0.076	A4TXV02
	E*1P49C	95G2DF110CV20	14.50	12.00	40000	30000	1400	7/8	3/8	7/8	3/8	7/8	3/8	0.076	A4TXV02
	E*1P49C	80G1UH090CE20	15.10	12.50	40000	30000	1400	7/8	3/8	7/8	3/8	7/8	3/8	0.076	A4TXV02
	E*1P49C	80G1UH110CE20	15.10	12.50	40000	30000	1400	7/8	3/8	7/8	3/8	7/8	3/8	0.076	A4TXV02
	E*1P49C	80G1DF110CE20	15.10	12.50	40000	30000	1400	7/8	3/8	7/8	3/8	7/8	3/8	0.076	A4TXV02
	E*1P62C	EFV16C	14.50	12.00	41000	30300	1400	7/8	3/8	7/8	3/8	7/8	3/8	0.076	A4TXV02
	E*1P62C	95G1UH090CE16	15.10	12.00	40000	30000	1400	7/8	3/8	7/8	3/8	7/8	3/8	0.076	A4TXV02
	E*1P62C	95G1UH090CE16	15.10	12.50	40000	30000	1400	7/8	3/8	7/8	3/8	7/8	3/8	0.076	A4TXV02
	E*1P62C	95G2UH090CV20	15.10	12.50	40000	30000	1400	7/8	3/8	7/8	3/8	7/8	3/8	0.076	A4TXV02
	E*1P62C	95G2DF090CV20	14.50	12.00	40000	30000	1400	7/8	3/8	7/8	3/8	7/8	3/8	0.076	A4TXV02
	E*1P62C	95G1UH110CE20	15.10	12.50	40000	30000	1400	7/8	3/8	7/8	3/8	7/8	3/8	0.076	A4TXV02
	E*1P62C	95G1DF110CE20	15.10	12.50	40000	30000	1400	7/8	3/8	7/8	3/8	7/8	3/8	0.076	A4TXV02
	E*1P62C	95G2UH110CV20	15.10	12.50	40000	30000	1400	7/8	3/8	7/8	3/8	7/8	3/8	0.076	A4TXV02
	E*1P62C	95G2DF110CV20	14.50	12.00	40000	30000	1400	7/8	3/8	7/8	3/8	7/8	3/8	0.076	A4TXV02
	E*1P62C	80G1UH090CE20	15.10	12.50	40000	30000	1400	7/8	3/8	7/8	3/8	7/8	3/8	0.076	A4TXV02
	E*1P62C	80G1UH110CE20	15.10	12.50	40000	30000	1400	7/8	3/8	7/8	3/8	7/8	3/8	0.076	A4TXV02
	E*1P62C	80G1DF110CE20	15.10	12.50	40000	30000	1400	7/8	3/8	7/8	3/8	7/8	3/8	0.076	A4TXV02

Note:

<sup>1</sup> Certified in accordance with Unitary Air Conditioner Certification Program, which is based on AHRI Standard 210/240

<sup>2</sup> Required to achieve AHRI rating. If NA (Not Applicable) is in the piston column, then TXV is required.

<sup>3</sup> A blower time delay relay is required to achieve AHRI rating. This feature is standard on all Allied Air Enterprises furnace and AH products.

Cooling Performance with Air Handlers and Furnaces 47

Outdoor Model	Indoor Model	Variable Speed Furnace	SEER	EER	Rated ARI Capacity <sup>1</sup> BTUH	Rated Sensible Capacity BTUH	CFM	Refrigerant Connection				Refrigerant Line Size		Indoor Expansion Device	
	Evaporator Coil or Air Handler <sup>3</sup>							Outdoor		Indoor		Suction	Liquid	Piston <sup>2</sup>	TXV
								Suction	Liquid	Suction	Liquid				
4AC14L47P-3	BCS3M48C****P		14.00	12.00	47000	34800	1600	7/8	3/8	7/8	3/8	7/8	3/8	0.080	A4TXV02
	BCS2M48V****P		16.00	13.00	47000	34800	1600	7/8	3/8	7/8	3/8	7/8	3/8	0.080	A4TXV02
	E*1P49C	EFV16C	15.10	12.50	47000	34800	1600	7/8	3/8	7/8	3/8	7/8	3/8	0.080	A4TXV02
	E*1P49C	95G2DF090CV20	15.10	12.50	47000	34800	1600	7/8	3/8	7/8	3/8	7/8	3/8	0.080	A4TXV02
	E*1P49C	95G2UH090CV20	15.10	12.50	47000	34800	1600	7/8	3/8	7/8	3/8	7/8	3/8	0.080	A4TXV02
	E*1P49C	95G1UH110CE20	16.00	13.00	47000	34800	1600	7/8	3/8	7/8	3/8	7/8	3/8	0.080	A4TXV02
	E*1P49C	95G1DF110CE20	16.00	13.00	47000	34800	1600	7/8	3/8	7/8	3/8	7/8	3/8	0.080	A4TXV02
	E*1P49C	95G2UH110CV20	15.10	12.50	47000	34800	1600	7/8	3/8	7/8	3/8	7/8	3/8	0.080	A4TXV02
	E*1P49C	95G2DF110CV20	15.10	12.50	47000	34800	1600	7/8	3/8	7/8	3/8	7/8	3/8	0.080	A4TXV02
	E*1P49C	80G1UH090CE20	16.00	13.00	47000	34800	1600	7/8	3/8	7/8	3/8	7/8	3/8	0.080	A4TXV02
	E*1P49C	80G1UH110CE20	16.00	13.00	47000	34800	1600	7/8	3/8	7/8	3/8	7/8	3/8	0.080	A4TXV02
	E*1P49C	80G1DF110CE20	16.00	13.00	47000	34800	1600	7/8	3/8	7/8	3/8	7/8	3/8	0.080	A4TXV02
	E*1P62D	EFV20D	15.10	12.50	47000	34800	1600	7/8	3/8	7/8	3/8	7/8	3/8	0.080	A4TXV02
	E*1P62D	95G1UH135DE20	15.10	12.50	47000	34800	1600	7/8	3/8	7/8	3/8	7/8	3/8	0.080	A4TXV02
	E*1P62D	95G2UH135DV20	15.10	12.50	47000	34800	1600	7/8	3/8	7/8	3/8	7/8	3/8	0.080	A4TXV02
	E*1P62D	80G1UH135DE20	15.10	12.50	47000	34800	1600	7/8	3/8	7/8	3/8	7/8	3/8	0.080	A4TXV02
	E*1P62C	EFV16C	15.10	12.50	47000	34800	1600	7/8	3/8	7/8	3/8	7/8	3/8	0.080	A4TXV02
	E*1P62C	95G2UH090CV20	15.10	12.50	47000	34800	1600	7/8	3/8	7/8	3/8	7/8	3/8	0.080	A4TXV02
	E*1P62C	95G2DF090CV20	15.10	12.50	47000	34800	1600	7/8	3/8	7/8	3/8	7/8	3/8	0.080	A4TXV02
	E*1P62C	95G1UH110CE20	16.00	13.00	47000	34800	1600	7/8	3/8	7/8	3/8	7/8	3/8	0.080	A4TXV02
	E*1P62C	95G1DF110CE20	16.00	13.00	47000	34800	1600	7/8	3/8	7/8	3/8	7/8	3/8	0.080	A4TXV02
	E*1P62C	95G2UH110CV20	15.10	12.50	47000	34800	1600	7/8	3/8	7/8	3/8	7/8	3/8	0.080	A4TXV02
	E*1P62C	95G2DF110CV20	15.10	12.50	47000	34800	1600	7/8	3/8	7/8	3/8	7/8	3/8	0.080	A4TXV02
	E*1P62C	80G1UH090CE20	16.00	13.00	47000	34800	1600	7/8	3/8	7/8	3/8	7/8	3/8	0.080	A4TXV02
	E*1P62C	80G1UH110CE20	16.00	13.00	47000	34800	1600	7/8	3/8	7/8	3/8	7/8	3/8	0.080	A4TXV02
	E*1P62C	80G1DF110CE20	16.00	13.00	47000	34800	1600	7/8	3/8	7/8	3/8	7/8	3/8	0.080	A4TXV02

Note:

<sup>1</sup> Certified in accordance with Unitary Air Conditioner Certification Program, which is based on AHRI Standard 210/240

<sup>2</sup> Required to achieve AHRI rating. If NA (Not Applicable) is in the piston column, then TXV is required.

<sup>3</sup> A blower time delay relay is required to achieve AHRI rating. This feature is standard on all Allied Air Enterprises furnace and AH products.

Cooling Performance with Air Handlers and Furnaces 48, 59, 60

Outdoor Model	Indoor Model	Variable Speed Furnace	SEER	EER	Rated ARI Capacity <sup>1</sup> BTUH	Rated Sensible Capacity BTUH	CFM	Refrigerant Connection				Refrigerant Line Size		Indoor Expansion Device	
	Evaporator Coil or Air Handler <sup>3</sup>							Outdoor		Indoor		Suction	Liquid	Piston <sup>2</sup>	TXV
								Suction	Liquid	Suction	Liquid				
4AC14L48P-4, 5	BCS3M48C****P		14.00	12.00	46500	35300	1600	7/8	3/8	7/8	3/8	7/8	3/8	0.083	A4TXV02
	BCS2M48V****P		15.00	12.50	46500	35300	1600	7/8	3/8	7/8	3/8	7/8	3/8	0.083	A4TXV02
	E*1P60D	80G1UH135DE20	14.50	12.00	46000	35000	1600	7/8	3/8	7/8	3/8	7/8	3/8	0.083	A4TXV02
	E*1P60D	95G2UH135DV20	14.50	12.00	46000	35000	1600	7/8	3/8	7/8	3/8	7/8	3/8	0.083	A4TXV02
	E*1P62D	80G1UH135DE20	14.50	12.00	46500	35300	1600	7/8	3/8	7/8	3/8	7/8	3/8	0.083	A4TXV02
	E*1P62D	95G2UH135DV20	14.50	12.00	46500	35300	1600	7/8	3/8	7/8	3/8	7/8	3/8	0.083	A4TXV02
4AC14L59P-4	BCS2M48V****P		15.10	12.50	57000	41000	1800	7/8	3/8	7/8	3/8	1 1/8	3/8	0.093	A4TXV02
	BCS2M60V****P		14.50	12.00	57000	41000	1800	7/8	3/8	7/8	3/8	1 1/8	3/8	0.093	A4TXV02
	BCS3M48C****P		14.00	12.50	57000	41000	1800	7/8	3/8	7/8	3/8	1 1/8	3/8	0.093	A4TXV02
	BCS3M60C****P		14.00	12.00	56500	41000	1800	7/8	3/8	7/8	3/8	1 1/8	3/8	0.093	A4TXV02
	E*1P62C	95G2UH110CV20	14.50	12.50	57000	41000	1800	7/8	3/8	7/8	3/8	1 1/8	3/8	0.093	A4TXV02
	E*1P62C	95G1UH110CE20	14.50	12.50	57000	41000	1800	7/8	3/8	7/8	3/8	1 1/8	3/8	0.093	A4TXV02
	E*1P62C	80G1UH090CE20	15.20	12.60	57000	41000	1800	7/8	3/8	7/8	3/8	1 1/8	3/8	0.093	A4TXV02
	E*1P62C	80G1UH110CE20	14.50	12.50	57000	41000	1800	7/8	3/8	7/8	3/8	1 1/8	3/8	0.093	A4TXV02
	E*1P62C	80G1DF110CE20	15.10	12.50	57000	41000	1800	7/8	3/8	7/8	3/8	1 1/8	3/8	0.093	A4TXV02
	E*1P62D	95G2UH135DV20	14.50	12.50	57000	41000	1800	7/8	3/8	7/8	3/8	1 1/8	3/8	0.093	A4TXV02
	E*1P62D	80G1UH135DE20	15.10	12.50	57000	41000	1800	7/8	3/8	7/8	3/8	1 1/8	3/8	0.093	A4TXV02
4AC14L60P-4	BCS3M60C****P		14.00	12.00	58000	41800	1800	1 1/8	3/8	7/8	3/8	1 1/8	3/8	0.093	A4TXV02
	BCS2M60V****P		14.00	12.00	58000	41800	1800	1 1/8	3/8	7/8	3/8	1 1/8	3/8	0.093	A4TXV02

Note:

<sup>1</sup> Certified in accordance with Unitary Air Conditioner Certification Program, which is based on AHRI Standard 210/240

<sup>2</sup> Required to achieve AHRI rating. If NA (Not Applicable) is in the piston column, then TXV is required.

<sup>3</sup> A blower time delay relay is required to achieve AHRI rating. This feature is standard on all Allied Air Enterprises furnace and AH products.

### Cooling Performance with Extended Ratings

Outdoor Model	Indoor Model Piston or Field Installed TXV	Indoor Temp DB/WB °F	Outdoor Temp - DB°F														
			65			82			95			105			115		
			Btuh	S/T	kW	Btuh	S/T	kW	Btuh	S/T	kW	Btuh	S/T	kW	Btuh	S/T	kW
4AC14L18P-3	E*1P23	85/72	20,500	0.65	1.44	19,700	0.69	1.59	19,100	0.72	1.71	17,900	0.74	1.13	16,700	0.75	1.42
		80/67	19,300	0.67	1.39	18,600	0.71	1.74	18,000	0.74	1.65	16,400	0.85	1.39	14,800	0.95	1.30
		75/63	17,900	0.72	1.35	17,200	0.76	1.49	16,700	0.79	1.59	15,600	0.81	1.05	14,600	0.83	1.28
		75/57	17,300	0.81	1.32	16,700	0.85	1.46	16,200	0.88	1.56	15,200	0.91	1.03	14,300	0.93	1.26
4AC14L24P-4, 5	E*1P29	85/72	29,300	0.61	1.59	28,620	0.63	1.88	28,100	0.64	2.10	26,450	0.67	2.32	24,800	0.70	2.53
		80/67	27,600	0.68	1.58	26,127	0.71	1.87	25,000	0.74	2.10	23,400	0.77	2.31	21,800	0.80	2.52
		75/63	26,200	0.72	1.58	24,557	0.75	1.87	23,300	0.77	2.10	21,550	0.80	2.30	19,800	0.82	2.50
		75/57	23,800	1.00	1.54	22,383	1.00	1.80	21,300	1.00	2.00	19,550	1.00	2.23	17,800	1.00	2.46
4AC14L30P-3	E*1P29	85/72	32,000	0.68	2.05	30,800	0.72	2.27	29,800	0.75	2.43	28,100	0.77	2.51	26,200	0.78	2.51
		80/67	30,200	0.70	1.98	29,000	0.74	2.03	28,000	0.77	2.34	26,400	0.79	2.42	24,700	0.81	2.42
		75/63	27,900	0.75	1.91	26,900	0.79	2.10	26,000	0.82	2.25	24,500	0.84	2.33	22,900	0.86	2.32
		75/57	27,200	0.84	1.88	26,200	0.89	2.07	25,300	0.92	2.21	23,800	0.94	2.29	22,200	0.96	2.29
4AC14L36P-3	E*1P36B	85/72	38,900	0.65	2.54	37,300	0.68	2.81	36,100	0.71	3.02	33,900	0.73	3.13	31,800	0.74	3.14
		80/67	36,500	0.67	2.45	35,100	0.70	2.71	34,000	0.73	2.91	31,900	0.75	3.01	29,900	0.76	3.01
		75/63	33,800	0.71	2.36	32,500	0.75	2.61	31,500	0.78	2.80	29,600	0.80	2.90	27,700	0.82	2.90
		75/57	32,900	0.79	2.32	31,600	0.84	2.56	30,600	0.87	2.75	28,700	0.89	2.84	26,900	0.91	2.84
4AC14L41P-3	E*1P49C	85/72	46,000	0.75	1.71	43,733	0.77	2.02	42,000	0.79	2.26	39,700	0.82	2.59	37,400	0.84	2.91
		80/67	45,000	0.76	1.70	42,167	0.79	2.01	40,000	0.81	2.25	37,800	0.84	2.58	35,600	0.87	2.90
		75/63	42,500	0.77	1.69	40,233	0.80	2.00	38,500	0.83	2.24	36,650	0.86	2.57	34,800	0.89	2.89
		75/57	40,000	0.79	1.68	38,017	0.82	1.99	36,500	0.84	2.23	35,000	0.88	2.50	33,500	0.91	2.77
4AC14L42P-4	E*1P49C	85/72	46,900	0.65	3.13	45,000	0.69	3.12	43,600	0.72	3.10	40,900	0.74	3.54	38,400	0.75	3.81
		80/67	44,100	0.67	3.02	42,400	0.71	3.29	41,000	0.74	3.49	38,500	0.76	3.66	36,100	0.77	3.66
		75/63	40,900	0.72	2.92	39,300	0.76	3.22	38,100	0.79	3.45	35,700	0.81	3.57	33,400	0.83	3.52
		75/57	39,700	0.81	2.87	38,200	0.85	3.16	37,000	0.88	3.39	34,700	0.91	3.50	32,500	0.93	3.45
4AC14L47P-3	E*1P62C	85/72	54,000	0.81	2.10	52,583	0.79	2.56	51,500	0.77	2.91	48,750	0.72	3.33	46,000	0.66	3.75
		80/67	53,000	0.82	2.00	50,733	0.80	2.51	49,000	0.79	2.90	46,500	0.81	3.33	44,000	0.83	3.75
		75/63	50,500	0.83	1.99	48,233	0.82	2.50	46,500	0.81	2.89	44,250	0.87	3.30	42,000	0.92	3.71
		75/57	47,000	0.85	1.98	44,733	0.84	2.49	43,000	0.83	2.88	41,500	0.90	3.29	40,000	0.97	3.70
4AC14L48P-4, 5	E*1P62C	85/72	56,600	0.63	2.99	54,107	0.66	55.36	52,200	0.68	3.88	49,050	0.70	4.29	45,900	0.72	4.70
		80/67	53,100	0.70	2.97	50,607	0.73	3.47	48,700	0.75	3.85	44,500	0.79	4.26	40,300	0.83	4.66
		75/63	50,600	0.72	2.94	46,633	0.76	3.44	43,600	0.79	3.82	39,500	0.84	4.24	35,400	0.88	4.66
		75/57	46,000	1.00	2.92	42,373	1.00	3.43	39,600	1.00	3.82	35,950	1.00	4.24	32,300	1.00	4.65
4AC14L59P-4	E*1P62C	85/72	61,200	0.63	3.50	60,633	0.64	4.24	60,200	0.65	4.80	58,350	0.68	5.39	56,500	0.70	5.97
		80/67	59,500	0.69	3.50	58,933	0.71	4.21	58,500	0.72	4.75	54,600	0.75	5.34	50,700	0.78	5.93
		75/63	57,800	0.72	3.48	55,760	0.74	4.18	54,200	0.76	4.72	49,850	0.79	5.33	45,500	0.82	5.93
		75/57	53,500	1.00	3.44	51,120	1.00	4.15	49,300	1.00	4.70	44,700	0.92	5.31	40,100	0.83	5.91
4AC14L60P-4	E*1P62C	85/72	66,300	0.64	4.41	63,600	0.67	4.89	61,600	0.70	5.27	57,900	0.72	5.46	54,200	0.73	5.42
		80/67	62,400	0.66	4.25	59,900	0.71	4.69	58,000	0.74	5.03	54,600	0.75	5.24	51,100	0.75	5.23
		75/63	57,800	0.70	4.03	55,500	0.74	4.50	53,700	0.77	4.87	50,600	0.79	5.06	47,300	0.81	5.04
		75/57	56,200	0.78	4.02	53,900	0.83	4.45	52,200	0.86	4.78	49,100	0.88	4.96	46,000	0.90	4.94

Note: Extended data shown is actual for models listed and typical for all AHRI matches.

## Accessories

Description	Where Used	Kit Number
Crankcase Heater	All models	93M04
Hard Start Kit	18	10J42
	24, 30, 36, 41, 42, 47, 48, 59, 60	88M91
Low Ambient Kit	All models	34M72
Short Cycle Protector	All models	47J27
Freezestat	3/8 tubing	93G35
	5/8 tubing	50A93
Time Delay Relay	All models	58M81
Loss of Charge Kit	All models	84M23 (factory installed)
Sound Blanket	18, 24, 30, 36, 41	14W00
	42, 47, 48, 59, 60	14W01



1-800-448-5872

All specifications and illustrations subject to change without notice and without incurring obligations.