

- KD-0250A
- KY-0250A

K-0250 Ice Kube Machine



- Easy access to food zone with removal of two screws and lift-off door
- High-tech exterior with smudge and fingerprint resistant stainless-like finish
- White plastics in the food zone help identify areas needing cleaning
- Water shield, distribution tube, pump, floats, and trough removable by hand
- Available CleanAir™ pack controls the growth of bacteria and fungi that form slime and cause odors in the food zone

WARRANTY:

Ice Maker: 3 year Parts & Labor
 Evaporator: 5 year Parts & Labor
 Compressor: 5 year Parts 3 years Labor



HALF KUBE

$\frac{3}{8}'' \times 1\frac{1}{8}'' \times \frac{7}{8}''$
 (.95 x 2.86 x 2.22 cm)

= 100%



KUBE

$\frac{7}{8}'' \times \frac{7}{8}'' \times \frac{7}{8}''$
 (2.22 x 2.22 x 2.22 cm)

= 100%

R410A Refrigerant



K-0250
ICE KUBE MACHINE

KOOLAIRE®

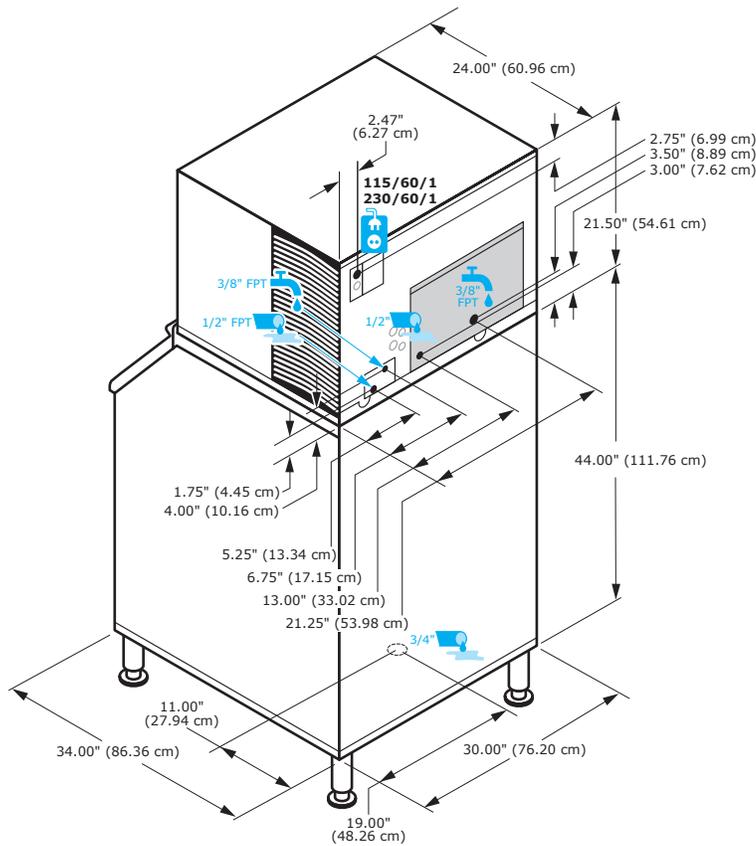
by **Manitowoc**

2110 SOUTH 26TH ST | MANITOWOC, WI 54220 USA | 1-920-682-0161 [www.kool-aire.com]



K-0250 ICE KUBE MACHINE

						
			70°/50° F 21°/10° C	90°/70° F 32°/21° C	[kWh/ 100 lbs ice]	[gal/100 lbs ice]
KD-0250A			308 lbs	222 lbs	7.5	22.0
			140 kg	101 kg		
KY-0250A			324 lbs	230 lbs	7.5	22.0
			147 kg	104 kg		



 Minimum		 Maximum
35°F 1.7°C		110°F 43.3°C
35°F 1.7°C		90°F 32.2°C
20psi 138 kPa		80psi 551 kPa
 9.4	A	
		15 Amps

137 lbs 62 kg 

KOOLAIRE®

by **Manitowoc**

2110 SOUTH 26TH ST | MANITOWOC, WI 54220 USA | 1-920-682-0161 [www.kool-aire.com]