

# Panasonic

## ideas for life



### Split System Submittal Data

Indoor: **CS-E9NKUAW** Outdoor: **CU-E9NKUA**  
Wall Mounted Heat Pump

Job Name: \_\_\_\_\_  
Location: \_\_\_\_\_  
Engineer: \_\_\_\_\_  
Submitted to: \_\_\_\_\_  
Submitted by: \_\_\_\_\_  
Reference: \_\_\_\_\_

Approval: \_\_\_\_\_  
Date: \_\_\_\_\_  
Construction: \_\_\_\_\_  
Unit #: \_\_\_\_\_  
Drawing #: \_\_\_\_\_

**Power** **V/PH/Hz** **230/208/1/60**  
Circuit Ampacity (A) 15  
Fuse Size, Max. (A) 15

**Compressor** DC Rotary Inverter  
No. used 1  
Output Power (W) 700

#### Outdoor Unit

**Fan type** Propeller  
Motor Type DC Motor ( 8 poles )  
Output Power (W) 40  
Airflow CFM 1095

**Coil Type** Aluminum ( Blue Coated )  
Fin Type - Pipe Type Corrugated Fin  
Rows - F.P.I. 2 - 17  
Face Area (sq.ft) 2.8

#### Indoor Unit

Fan type Cross Flow  
No. Speeds 5  
RPM (High) 1300  
Motor Output (W) 40  
CFM (QLo/Lo/Me/Hi/SHi) 191/230/311/395/434  
Indoor Sound Rating (Hi) (dB-A) 40  
Coil Type Aluminum Fin & Copper Tube  
Fin Type - Pipe Type Slit Plate - Inner Rifled  
Rows - F.P.I. 2-19  
Face Area (sq.ft) 2  
Drain Connection Size (in.) 5/8"

#### Features

Wireless Remote Controller Standard  
Wired Remote Controller ( CZ-RD516C ) Optional  
Controls Microprocessor  
Remote Controller LCD Wireless Type, Temp, Sensor Built In  
Temperature Control IC Thermostat  
Air Louver (Horizontal) Manual  
(Vertical) Automatic  
Power Failure Automatic Restart Built-In  
Self-Diagnosis Built-In  
Air Filter Washable, Anti-Mold

**Refrigerant** R410A  
Lbs. - R410a (outdoor unit) 2.16  
Control Electric Expansion Valve  
Connection Flare  
Line Length, Max (ft.) 66  
Lift Difference, Max (ft.) 49 (outdoor lower), 49 (outdoor higher)  
Line Size (in. O.D. Discharge) 1/4"  
Line Size (in. O.D. Suction) 3/8"

Dimensions	(in.)	Height	Width	Depth
Indoor Unit	(Uncrated)	11-7/16"	34-9/32"	8-1/16"
	(Crated)			
Outdoor Unit	(Uncrated)	21-9/32"	30-23/32"	11-13/32"
	(Crated)			

Weight		Indoor	Outdoor
Net	(lbs.)	20	82
Shipping	(lbs.)		

Performance Data @ ARI Standard Conditions (230/208V)

**Cooling**

Total Capacity	(BTU/H)	10200
SEER		21
Dehumidification	(Pints/H)	1.3
Amps	(A)	3.1
Power Inputs	(W)	650
Outdoor Sound Rating	(dB-A)	47

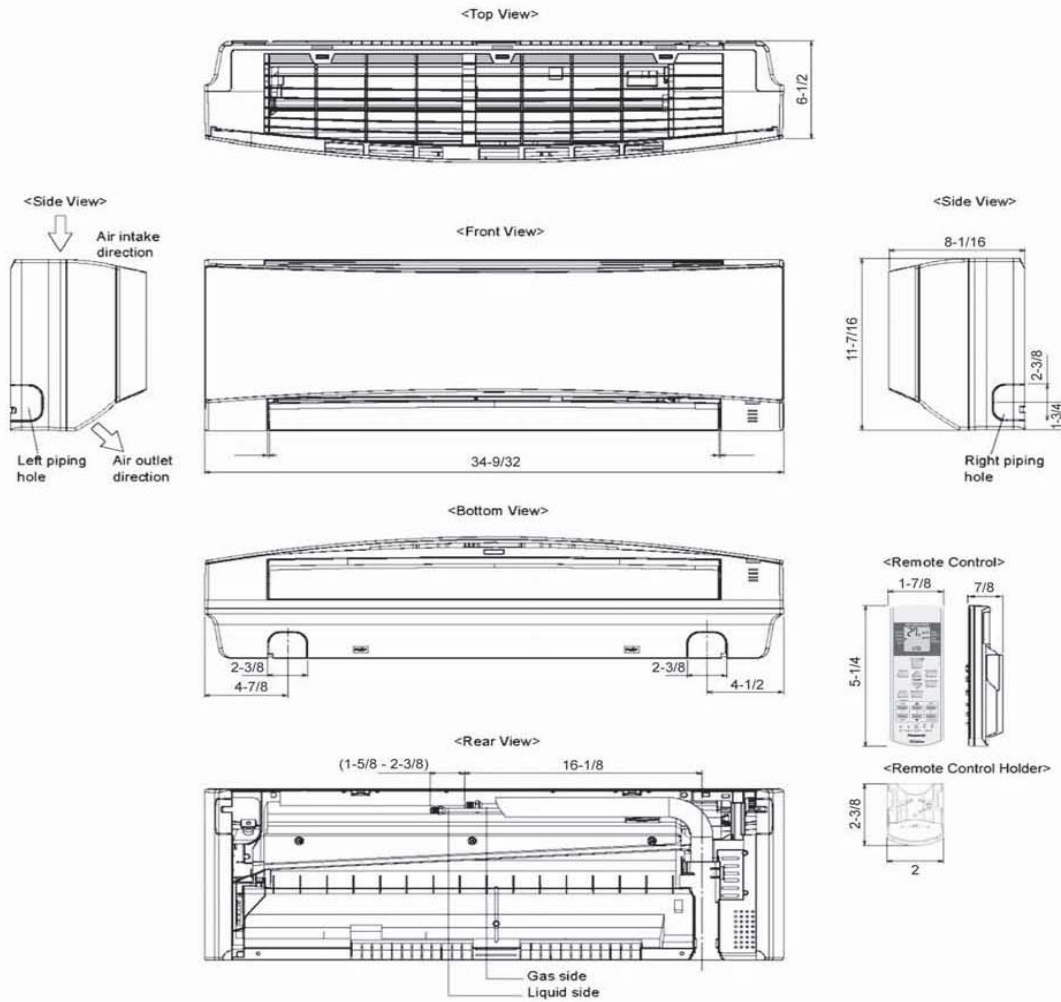
**Heating**

Total Capacity	(BTU/H)	14100
HSPF		10.5
Amps	(A)	5.4
Power Inputs	(W)	1150
Outdoor Sound Rating	(dB-A)	46

#### Operating Range

		Indoor Air Intake Temp.	Outdoor Air Intake Temp.
Cooling	Maximum	90F DB/74F WB	115F DB
	Minimum	60F DB/52F WB	0F DB
Heating	Maximum	86F DB/-F WB	75F DB/ 64F WB
	Minimum	60F DB/-F WB	5F DB/-F WB

# Indoor Dimensions



# Outdoor Dimensions

