

## Multi/Split System Submittal Data

CS-KE18NB4UW

Grille: CZ-18BT1U

Ceiling Recessed Indoor Unit - Multi System Heat Pump

Job Name: \_\_\_\_\_  
 Location: \_\_\_\_\_  
 Engineer: \_\_\_\_\_  
 Submitted to: \_\_\_\_\_  
 Submitted by: \_\_\_\_\_  
 Reference: \_\_\_\_\_

Approval: \_\_\_\_\_  
 Date: \_\_\_\_\_  
 Construction: \_\_\_\_\_  
 Unit #: \_\_\_\_\_  
 Drawing #: \_\_\_\_\_



### General Data (at 230V)

Power	V/P/Hz	230/1/60
Circuit Ampacity	(A)	20
Fuse Size, Max.	(A)	20
Running Amps	(A)	.15
Power Input	(W)	35

Indoor Unit	Cool/Heat
Fan type	Turbo
Dia. & Length (in.) - No. Speeds	D12-5/8 L5-3/4 x 1
No. Speeds	3 & Auto
No. Poles	(RPM, High) 8 - 650/720
No. Motors	(W) 50-1
CFM	(HI) 341/383
Operation Sound (dB)	(HI/Med/Lo/QT* dB-A) 44/40/36-44/40/36

### Performance Data @ ARI Standard Conditions (230V)

Cooling		
Total Capacity	(BTU/H)	17,500
Moisture Removal (HI)	(Pint/H)	4.89

### Heating

Total Capacity	(BTU/H)	20,400
----------------	---------	--------

Coil Type	Aluminum Plate Fin & Copper Tube
Fin Type - Pipe Type	Slit Plate - Inner Riffled
Rows - F.P.I.	2 - 18.1
Face Area	(sq.ft.) 2.94
Tube Size	(in.) 9/32"
Drain Connection Size	(in.) 23/32"

### Feature

Controls	Microprocessor
Remote Controller	LCD Wireless Type, Temp. Sensor Built In
Temperature Control	IC Thermostat
Timer	24 Hr. Program, 1 Hr. Off
Night Setback	Built-In
Air Louver	(Vertical) Automatic
Power Failure Automatic Restart	Built-In
Self-Diagnosis	Built-In
Quiet Operation	Built-In
Air Filter	Washable, Anti-Mold

Refrigerant	R410a
Line Size	(in. O.D. Discharge) 1/4"(Flare)
Line Size	(in. O.D. Discharge) 1/2"(Flare)

Dimensions	(in.)	H x W x D
Indoor Unit	(Uncrated)	12-5/16 x 24-19/32 x 24-19/32
	(Crated)	11-13/32 x 24-13/16 x 28-1/8

Weight		Indoor
Net Shipping	(lbs.)	35.3
	(lbs.)	41.9

Shipping Volume	(cu.ft.)	Indoor
		4.59

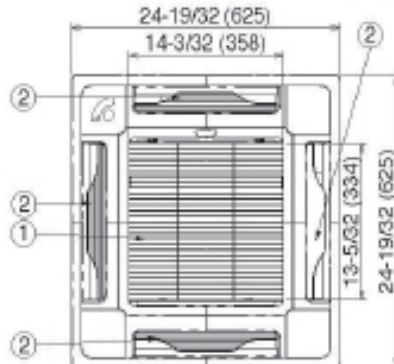
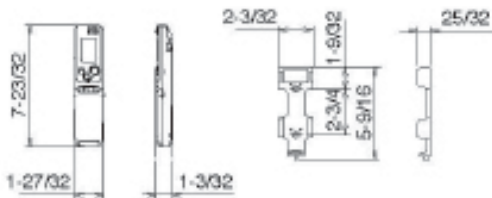
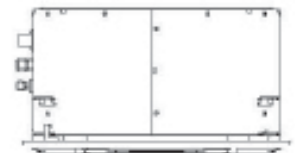
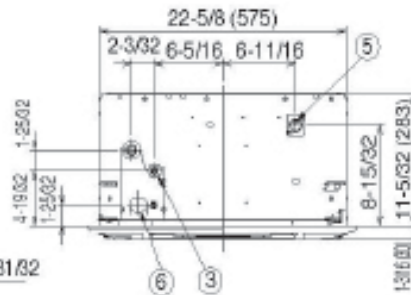
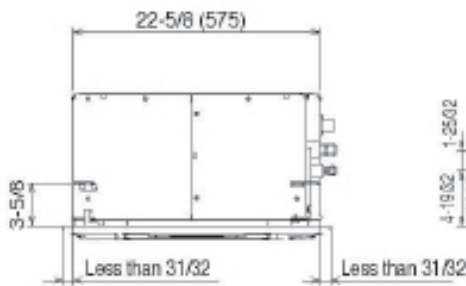
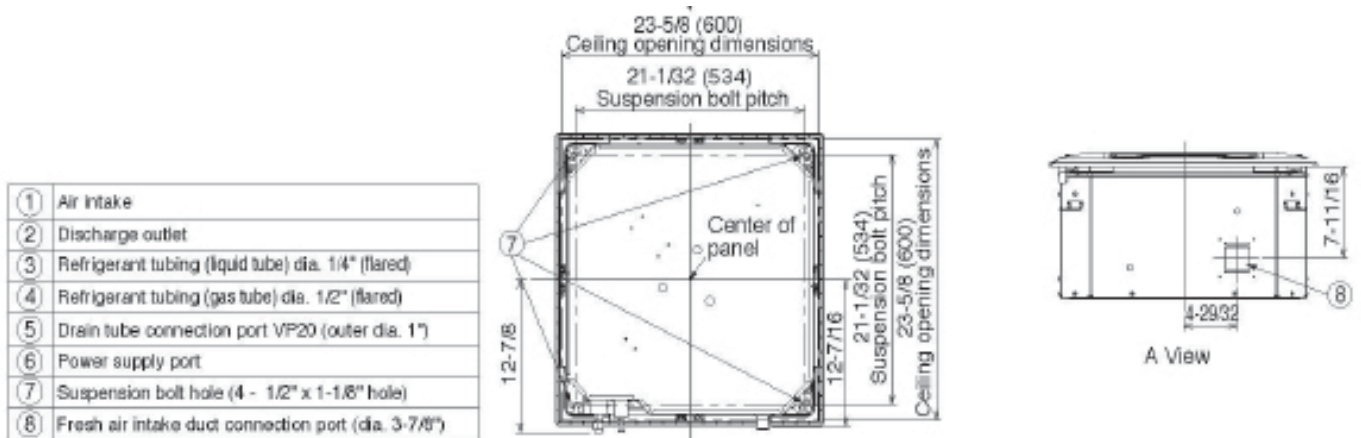
# →→→ Dimensions

## Option

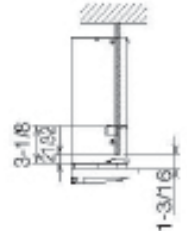
Refrigerant Line Set	Available
Fresh Air Intake	Knock-out
Air duct Extension	N/A
Condensate Drain Pump	Standard
Hard Wired Remote Controller	Available
Non-Removeable Remo-con Bracket	Available

## Operating Range

		Indoor Air Intake Temp.	Outdoor Air Intake Temp.
Cooling	Maximum	95F DB/71F WB	115F DB
	Minimum	67F DB/57F WB	67F DB
Heating	Maximum	80F DB/67F WB	75F DB/65F WB
	Minimum	-DB/-WB	0 DB



The length of the suspension bolts should be selected so that there is a gap of 1-3/16" or the ceiling (21/32" or more below the lower surface of the main unit), as shown in the figure at right. If the suspension bolts is too long, it will contact the ceiling panel and the unit cannot be installed.



Unit : inch (mm)

**Panasonic ideas for life**  
**Panasonic North America**  
**Air Conditioning Division**  
**1690 Roberts Blvd., NW, Suite 110**  
**Kennesaw, GA. 30144**  
<http://www.panasonic.com/aircon>

