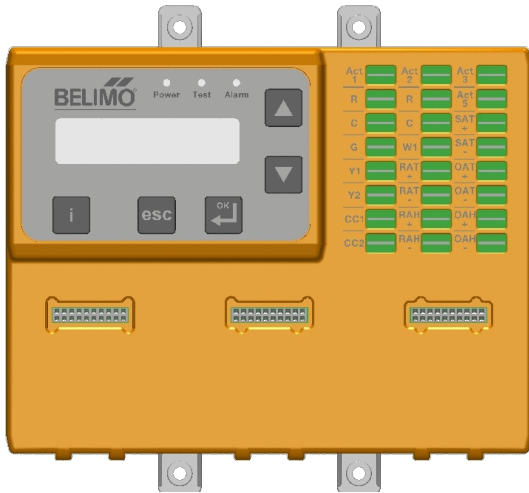
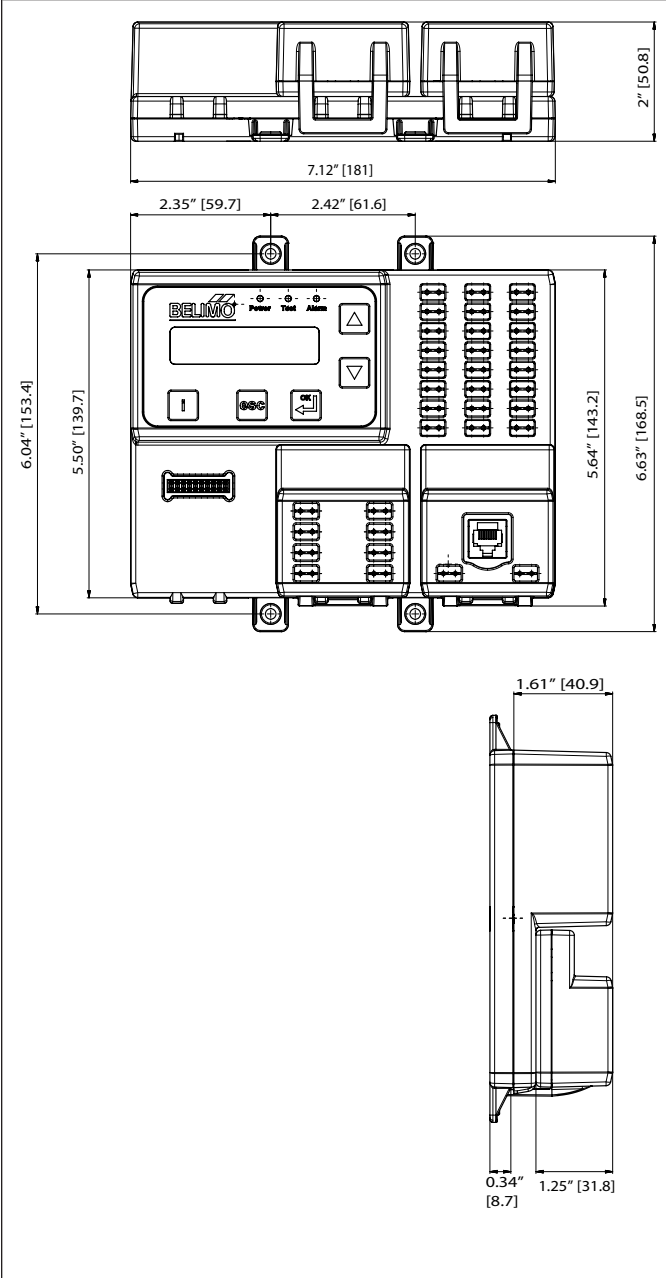


# ZIP Economizer™ Base Module



**Dimensions in Inches [mm]**



**Installation**

You can mount the ZIP Economizer in any orientation; it is recommended that you mount it in a position that will allow full utilization of the LCD and key pad and proper clearance for installation, servicing, wiring, and removal.

Take the overall dimensions of 6.63" [168.5] x 7.12" [181] x 2" [50.8] and mount in the interior of the RTU in a convenient location that you can access. Secure the ZIP utilizing #8 self-tapping screws (included). A minimum of two tabs need to be secured, one which is a top tab. Ideally secure all four tabs. Wire the electrical connection using 1/4" female insulated spade connectors to prevent corrosion.

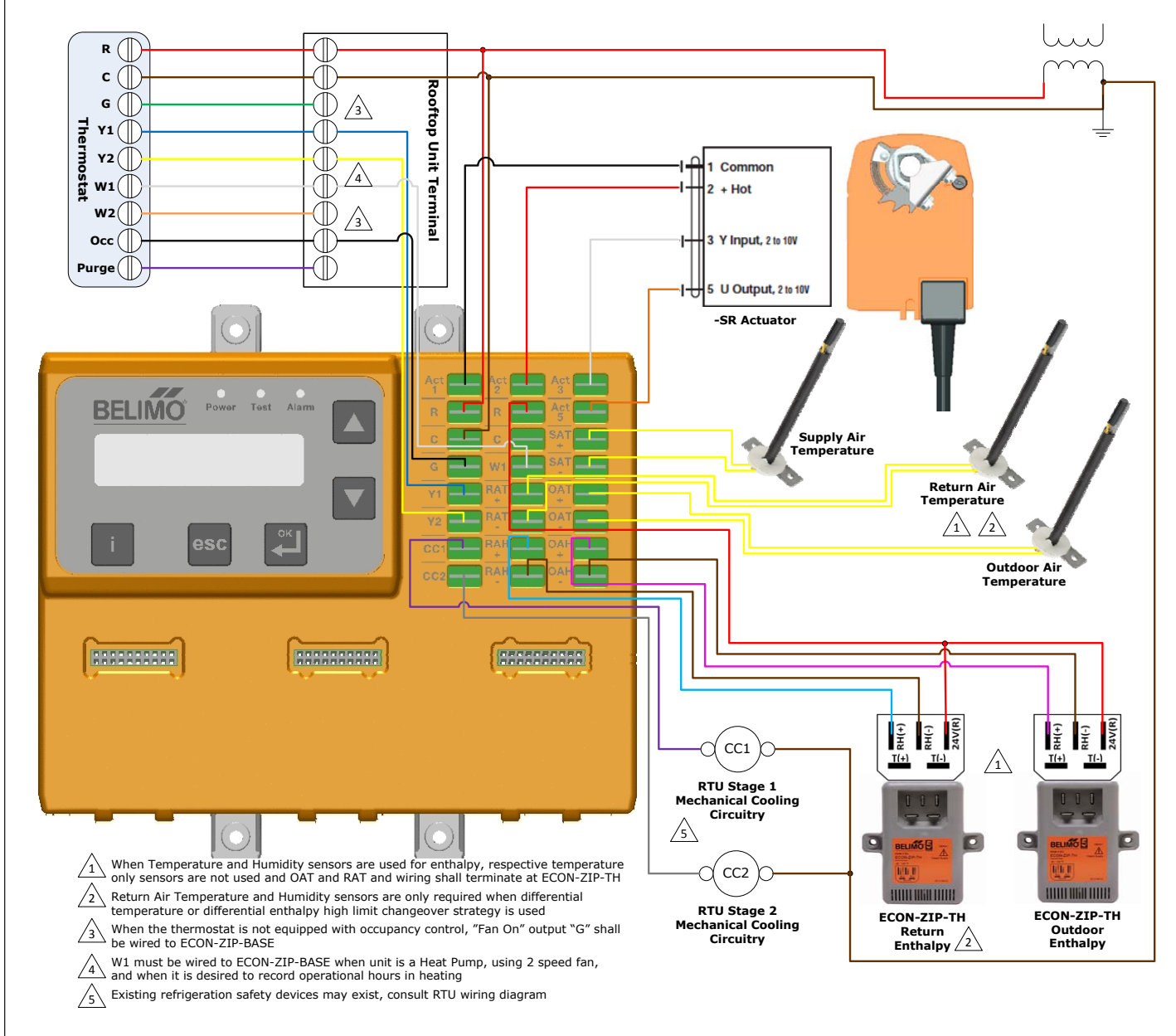
**ECON-ZIP-BASE**

**Technical Data**

Type	Name	Description	Electrical Specification
Input	R	Supply Hot	24 VAC, ± 20%, 50/60Hz
Input	G	Fan Signal (occupied)	On/Off, 24 VAC, ± 20%, 50/60Hz
Input	C	Supply Common	Common
Input	Y1	Cooling requirement Stage 1	On/Off, 24 VAC, ± 20%, 50/60Hz
Input	Y2	Cooling requirement Stage 2	On/Off, 24 VAC, ± 20%, 50/60Hz
Input	W1	Heating requirement Stage 1	On/Off, 24 VAC, ± 20%, 50/60Hz
Input	SAT ±	Supply Air Temperature Sensor	Type: 10K NTC (Type II thermistor)
Input	OAT ±	Outdoor Air Temperature	Type: 10K NTC (Type II thermistor)
Input	OAH ±	Outdoor Air Humidity	0-10 VDC Auto Detection: Sensor present if voltage 0.5V-10V
Input	RAT ±	Return Air Temperature	Type: 10K NTC (Type II thermistor)
Input	RAH ±	Return Air Humidity	0-10 VDC Auto Detection: Sensor present if voltage 0.5V-10V
Output	CC1	Compressor 1 RTU Stage 1 Mechanical Cooling Circuitry	100'000 cycles @ inrush current of 3A, normal current 1.5A Impedance for Auto detection @ 24 V: <600 Ω @ 60Hz <800 Ω @ 50Hz
Output	CC2	Compressor 2 RTU Stage 2 Mechanical Cooling Circuitry	100'000 cycles @ inrush current of 3A, normal current 1.5A Impedance for Auto detection @ 24 V: <600 Ω @ 60Hz <800 Ω @ 50Hz
Output	Act 1	Actuator supply common	Common
Output	Act 2	Actuator supply hot	24 VAC, 50/60Hz
Output	Act 3	Actuator control output	2-10 VDC
Input	Act 5	Actuator feedback signal	2-10 VDC

# ZIP Economizer™ Base Module

## Wiring Diagrams



### **⚠ WARNING Live Electrical Components!**

During installation, testing, servicing and troubleshooting of this product, it may be necessary to work with live electrical components. Have a qualified licensed electrician or other individual who has been properly trained in handling live electrical components perform these tasks. Failure to follow all electrical safety precautions when exposed to live electrical components could result in death or serious injury.

### Installation

1. Shut off power to RTU before beginning installation.
2. Note orientation, opening rotation, and spring return rotation of damper assembly. Mount Actuator to Outside Air and Return Damper assembly. To ensure tight outside air shutoff; while tightening actuator clamp push damper closed.
3. Terminate required Inputs and Outputs(I/O): For the ZIP Economizer to function correctly, the following I/O, at a minimum, are required to be terminated, wired, and functioning (R, C, Y1, Y2, G, CC1, OAT, SAT, ACT1, ACT2, ACT3, ACT5). See diagram above.

# ZIP Economizer™ Base Module

## Setup

	Moves up through the menu on the same level. Will increase values by one increment at a time. When setting values holding key down will fast scroll		Moves down through the menu on the same level. Will decrease values by one increment at a time. When setting values holding key down will fast scroll.
	Enter sub menu level. Start editing a setting. Store an entered value.		Escape sub menu to next higher level. Cancel current actions.
			Show additional information on the current menu Item when "i" appears in lower right of display.

"Settings" is the menu displayed when the ZIP Economizer is first powered. Press "OK" to parameterize required settings. Reference above Keypad Key definition instructions and navigate as needed.

```
Settings i
```

## Functions

- "Monitor Live Conditions" is used to display settings and live values.
- "Settings" is used to parameterize the ZIP Economizer. Unless otherwise prompted; default entry is "Auto" or "Off". (Note: Devices 1 is for CC1, CC2, EF, IF; Devices 2 is for OAH, RAH)
- "Present Devices" is used to verify that the ZIP Economizer's Auto Detected connections are terminated properly. If established I/O is not shown, verify wiring. If wiring has continuity and device is verified operational re-enter "Settings" and enable missing device by changing from "Auto" to "Available" or "Installed".
- "Alarms" is used to view current and historical alarms and delete inadvertently caused alarms.
- "Service and Commissioning" submenu is used to operate the RTU in "Manual Mode" or to perform "Acceptance Test". "Settings" must be completed to access.
- "Status" is a display of the current operating mode. It can be accessed by pressing "esc". The action of pressing any key will drop the user down from Status to the next level, so repeatedly pressing "esc" will toggle the display between Status and Monitor Live Conditions. **(Note: If status "Setup Incomplete" is displayed the RTU cooling functions will be disabled.)**

```
Setup incomplete
```

## Required "Settings" Parameters for All Configurations

- ZIP Code US or Canada (sets the free cooling changeover high limit and temperature scale F/C)
  - When the Zip Code submenu is displayed enter "OK" to begin "US" Zip Code parameterization. If "Canada" Postal Code is desired press the up/down arrow to access.
    - Press OK to access digit 1 (flashing) then use the up/down arrow to parameterize; enter OK when complete. Repeat until all digits are complete. If a mistake is made press "esc" and repeat from beginning
 

```
US
89436
```
    - When all Zip Code or Postal Code digits are parameterized press "esc" to move up a level then press the up/down arrow to access next settings parameter.
- Vent Min Pos (Outside Air Damper Ventilation Minimum Position)
  - When the "Vent Min Pos" submenu is displayed press "OK" to parameterize (flashing).
 

```
Vent Min Pos
_ % i
```
  - Use the up/down arrow to parameterize, press "OK" when complete. The actuator will immediately drive the damper to the minimum position.
- Additional Parameters may require setting. The ZIP Economizer will auto-detect added Devices such as a CO2 sensor etc. When the ZIP Economizer detects a new device, it will prompt the user in the Status level; navigate to Settings and parameterize blank fields. If the devices are connected upon first start up their settings will require parameterization then.
- When all entries have been completed, the ZIP Economizer will switch to Status display and show "Setup Complete" and will immediately begin a count down from 30 seconds, allowing the user time to be prepared in the case there is a call for cooling.

## Service and Commissioning (Acceptance Test & Manual Mode)

- The ZIP Economizer has built in commissioning processes found in Acceptance Test. Use "Economizer Test" to verify RTU Integrated Economizer operation and also if it is known that the actuator stroke is mechanically limited to less than 90 degree rotation. The test will re-scale the control signal range to maximum resolution (0-100%) over the calibrated (reduced) angle.
  - Navigate to the "Service and Commissioning" menu, press "OK"; press the down arrow to access "Acceptance Test". Press OK again when "Economizer Test" appears. Press "OK" again to confirm running test. Follow prompts during test. This test will open damper to 100% (re-scale control signal if needed), enable power exhaust fan (if connected), enable 1st stage of Mechanical Cooling, reverse this process and then drive to Vent Min Position. When used with a Belimo actuator, the actuator will speed up to reduce test time. **(Note: failure to identify obstructions or improper setup of damper assembly may result in an improper scaling and operation of the damper.)**
  - It is necessary to return back to automatic mode for the RTU to operate. Press "OK" when "Return to Automatic" is displayed.
- Manual Mode is used to override outputs after entering a "Timeout" duration.

For more information and to download Installation Operation Manual, visit [www.ZIPeconomizer.com](http://www.ZIPeconomizer.com).

Belimo worldwide: [www.belimo.com](http://www.belimo.com)

**BELIMO Americas**

**USA Locations**, 43 Old Ridgebury Road, Danbury, CT 06810  
Tel. 800-543-9038, Fax 800-228-8283, [marketing@us.belimo.com](mailto:marketing@us.belimo.com)

1049 Fortunato Loop, Sparks, NV 89436  
Tel. 800-987-9042, Fax 800-987-8875, [marketing@us.belimo.com](mailto:marketing@us.belimo.com)

**Canada Locations**, 5845 Kennedy Road, Mississauga, Ontario L4Z 2G3  
Tel. 866-805-7089, Fax 905-712-3124, [marketing@us.belimo.com](mailto:marketing@us.belimo.com)

**Latin America and the Caribbean Customer Service**  
Tel. 203-791-8396, Fax 203-791-9139, [marketing@us.belimo.com](mailto:marketing@us.belimo.com)

**Belimo Brasil Comércio de Automação Ltda.**  
Tel: 55 11 3643-5656, Fax: 55 11 3643 5657, [atendimentoaocliente@br.belimo.com](mailto:atendimentoaocliente@br.belimo.com).

