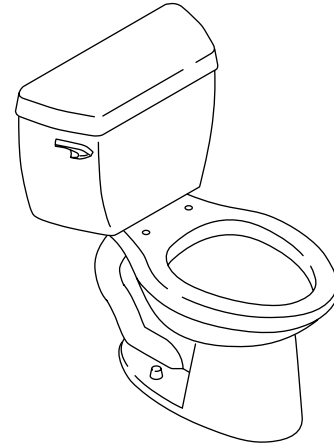


### COMFORT HEIGHT™ TOILET K-3481

ADA

#### Features

- Vitreous china
- Comfort Height™
- Combination toilet
- Concealed trapway
- Elongated bowl
- Includes polished chrome trip lever
- Ingenium® flushing system
- Less seat and supply
- With Insuliner® insulated tank lining
- 1.6 gpf (6 lpf)
- 12" (30.5 cm) rough-in
- 10-1/2" (26.7 cm) x 9-1/4" (23.5 cm) water area
- 29" (73.7 cm) x 19-5/8" (49.8 cm) x 30" (76.2 cm)



#### Codes/Standards Applicable

Specified model meets or exceeds the following:

- ADA
- ASME A112.19.2
- Energy Policy Act of 1992
- CSA B45.0
- CSA B45.1
- CABO/ANSI A117.1

#### Colors/Finishes

- 0: White
- Other: Refer to Price Book for additional colors/finishes

#### Accessories

- 0: White
- CP: Polished Chrome
- PB: Vibrant® Polished Brass
- Other: Refer to Price Book for additional colors/finishes

#### Specified Model

Model	Description	Colors/Finishes	
K-3481	Elongated bowl toilet	<input type="checkbox"/> 0	<input type="checkbox"/> Other _____
K-3481-U	Elongated bowl toilet with Insuliner	<input type="checkbox"/> 0	<input type="checkbox"/> Other _____

Recommended Accessories			
K-4650	Lustra™ elongated open-front toilet seat – for ADA compliance	<input type="checkbox"/> 0	<input type="checkbox"/> Other _____
K-4664	Brevia™ elongated toilet seat	<input type="checkbox"/> 0	<input type="checkbox"/> Other _____
K-7637	Angle supply with stop – 3/8" NPT	<input type="checkbox"/> CP	<input type="checkbox"/> PB <input type="checkbox"/> Other _____

Optional Accessories table is on page 2.

#### Product Specification

The elongated combination toilet shall be made of vitreous china. Toilet shall be 29" (73.7 cm) x 19-5/8" (49.8 cm) x 30" (76.2 cm) with a 10-1/2" (26.7 cm) x 9-1/4" (23.5 cm) water area. Toilet shall have a 12" (30.5 cm) rough-in. Toilet shall be 1.6 gpf (6 lpf) with Ingenium™ flushing system. Toilet shall have a concealed trapway, and a polished chrome trip lever. Toilet shall be available with an Insuliner® tank lining (-U). Toilet shall be less seat and supply. Toilet shall be Kohler Model K-3481-\_\_\_\_\_ or K-3481-U -\_\_\_\_\_.

# WELLWORTH®

## Optional Accessories

K-9404-L Trip lever - non-CP

PB

Other\_\_\_\_\_

## Technical Information

Fixture:	
Configuration	two-piece, elongated
Water per flush	1.6 gal (6 L)
Passageway	2-1/8" (5.4 cm)
Water area	10-1/2" (26.7 cm) x 9-1/4" (23.5 cm)
Water depth from rim	5-1/2" (14 cm)
Seat post hole centers	5-1/2" (14 cm)

## Included components:

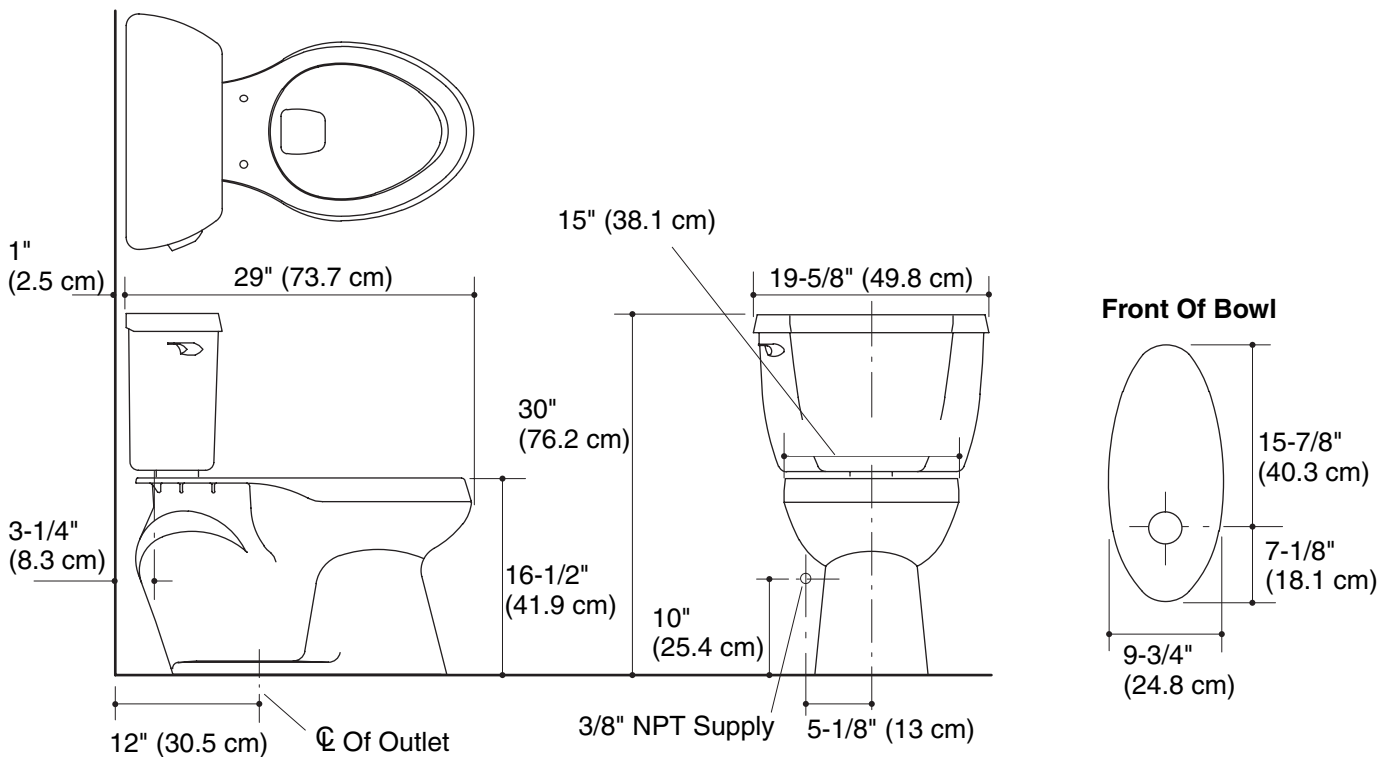
Bowl	K-4278
Tank	K-4620
Tank cover	84591
Trip lever	42528-CP

## Installation Notes

Install this product according to the installation guide.

Will comply with the American Disabilities Act (ADA) when installed per the requirements of the Accessibility Guidelines, Section 604 Water Closets, of the Act. The Model Plumbing Codes require the installation of elongated open-front toilet seats in public bathrooms.

Section 604 states the required height of the toilet is 17" (43.2 cm) to 19" (48.3 cm) from the floor to the top of the seat to meet ADA requirements.



## Product Diagram