

**HOME OWNER / INSTALLER
FOR YOUR SAFETY**
THIS MANUAL MUST BE READ IN ITS
ENTIRETY BEFORE OPERATING HEATER



**FS35BN/US
FS35BL/US
Gas Radiant Space Heater
Owners Operation and Installation Manual**

WARNING: If the information in these instructions are not followed exactly, a fire or explosion may result causing property damage, personal injury or loss of life.

Do not store or use gasoline or other flammable vapors and liquids in the vicinity of this or any other appliance.

WHAT TO DO IF YOU SMELL GAS

- Do not try to light any appliance.
- Do not touch any electrical switch; do not use any phone in your building.
- Immediately call your gas supplier from a neighbor's phone. Follow the gas supplier's instructions.
- If you cannot reach your gas supplier, call the fire department.

Installation and service must be performed by a qualified installer, service agency or the gas supplier.

This heater has been designed to code ANSI Z 21.88a-2000 effective 7-1-2002

This appliance is only for use with the type of gas indicated on the rating plate.

This appliance is not convertible for use with other gases.

INSTALLER: MUST LEAVE THIS MANUAL WITH THE UNIT AFTER INSTALLATION
OWNER: RETAIN THIS MANUAL SAFELY, FOR FUTURE REFERENCE

Rinnai

LIMITED WARRANTY

RINNAI FIREPLACE HEATER

WHAT IS COVERED?

This Warranty covers any defects in materials or workmanship, subject to the terms stated below. This Warranty extends to the original purchaser and subsequent transferees, but only while the product remains at the site of the original installation. This Warranty only extends through the first installation of the product and terminates if the product is moved or reinstalled at a new location.

HOW LONG DOES COVERAGE LAST?

Item	Period of Coverage
<i>All Parts and Components</i>	<i>2 Years from Date of Purchase</i>

WHAT WILL RINNAI DO?

Rinnai will repair or replace the product or any part or component that is defective in materials or workmanship, except as set forth as follows. Rinnai will pay reasonable shipping costs, provided you obtain prior authorization from an Authorized Rinnai Distributor. Rinnai will not pay labor charges associated with the repair or replacement of the product or any part or component. All repair parts must be genuine Rinnai parts. All repairs or replacements must be performed by an individual or servicing company that has been authorized by Rinnai or its distributor.

Replacement of the product or replacement of the heat exchanger may be authorized by Rinnai only. Rinnai does not authorize any person or company to assume for it any obligation or liability in connection with the replacement of a product or heat exchanger. If Rinnai determines that repair of a product is not possible, Rinnai will replace the product with a comparable product, at Rinnai's discretion.

HOW DO I GET SERVICE?

You must contact an Authorized Distributor or Installer for the repair of a defective product under this Warranty. Failure to contact an Authorized Distributor or Installer will void the Warranty. For the name of the Authorized Distributor or Installer nearest you, please contact your local HVAC dealer or gas service technician, visit the Rinnai website (www.rinnai.us), call Rinnai at 1-800-621-9419 or write to Rinnai, 103 International Drive, Peachtree City, Georgia 30269.

Proof of purchase is required. You can show proof of purchase with a dated sales receipt, or by completing and mailing the enclosed Warranty registration card within 30 days of purchasing the product. Please complete the enclosed Warranty registration card and mail it to Rinnai at the address shown on the card. Receipt of this card by Rinnai will constitute proof-of-purchase for this product. However, return of this Warranty registration card is not necessary in order to validate this Warranty.

WHAT IS NOT COVERED?

This Warranty does not cover any failures or operating difficulties due to accident, abuse, misuse, alteration, misapplication, force majeure, improper installation, improper maintenance or service, or for any other causes other than defects in materials or workmanship. This warranty does not apply to any product whose serial number or manufacture date has been defaced.

Rinnai is not liable for any special, incidental, indirect or consequential damages that may arise, including damage to person or property, loss of use, or inconvenience. Some states do not allow the exclusion or limitation of incidental or consequential damages, so the above limitation may not apply to you.

LIMITATION ON IMPLIED WARRANTIES

Any implied warranties of merchantability and fitness arising under state law are limited in duration to the period of coverage provided by this limited Warranty, unless the period provided by state law is less. Some states do not allow limitations on how long an implied Warranty lasts, so the above limitation may not apply to you.

This Warranty gives you specific legal rights, and you may also have other rights which vary from state to state.

WARNING

IMPROPER INSTALLATION, ADJUSTMENT, ALTERATION, SERVICE OR MAINTENANCE CAN CAUSE PROPERTY DAMAGE, PERSONAL INJURY OR LOSS OF LIFE.

INSTALLATION AND SERVICE MUST BE PERFORMED BY A QUALIFIED INSTALLER, SERVICE AGENCY OR THE GAS SUPPLIER.

This manual applies to the following models only:

FS35BN/US

FS35BL/US

Freestanding Fire Table of Contents

Limited warranty	2
Contacts	3
Specifications	4
Dimensions	4
Important points / usage and installation musts	5
Technical specifications	7
For your safety read before operating heater	8
Operation	9
Location	10
Venting	11
Gas connection	11
Log installation	12
Testing and commissioning	13
Maintenance instructions	14
Wiring diagram	16
Trouble shooting	16
Exploded diagrams	17
Parts List	19
Installation notes	21
Installation / commissioning checklist	23
Installer details	23

CONTACTS

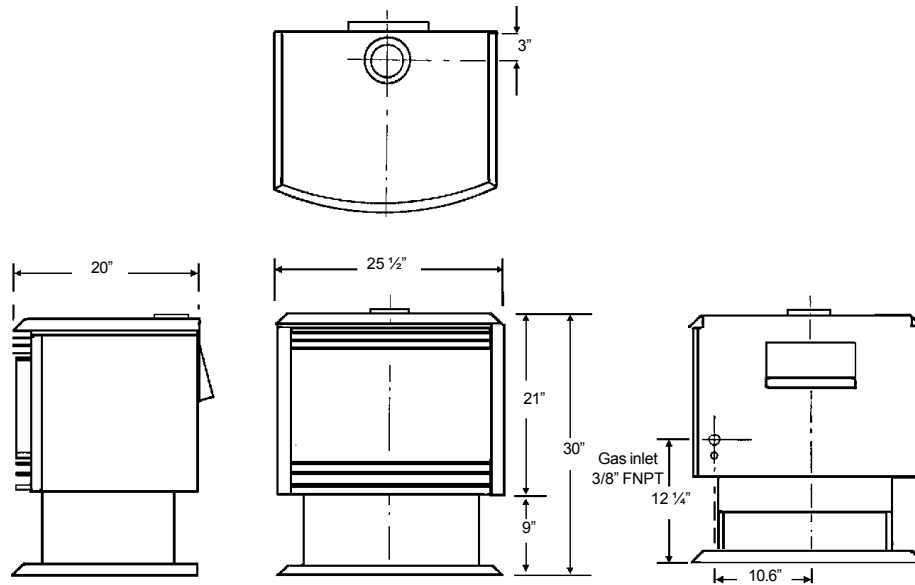
Rinnai

America Corporation	1-800-621-9419
103 International Drive	www.rinnai.us
Peachtree City	
Georgia 30269	

SPECIFICATIONS

Model:	FS35BN/US (NG) United States FS35BL/US (Propane) United States
Description:	Freestanding radiant/convector, glass-fronted, ceramic log space heater with forced convection and natural draft flue system
Output:	26,000 Btu/hr Natural Gas 23,000 Btu/hr Propane
Gas Control:	Push button combination control valve
Burners:	Ember bed, flame and heat burner
Warm Air Discharge:	Top front louvres
Flue:	Natural draft. Approved 4" B vent system
Ignition:	Electronic spark
Power Supply:	115V. 60Hz
Rating Plate Location:	Bottom right hand side of pillar
Weight:	141 lb

DIMENSIONS



IMPORTANT POINTS / USAGE AND INSTALLATION MUSTS

Unpack the heater and check for damage (DO NOT INSTALL DAMAGED HEATER). If the heater is damaged, contact your supplier for advice. Before installing the heater, check the label for the correct gas type (see rating plate, bottom right hand side of pillar). Refer to local gas authority for confirmation of the gas type if you are in doubt.

Included in the carton

Customer operation information

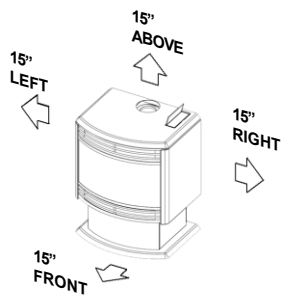
IMPORTANT

Before using this product, please read this manual carefully to make sure of proper use of the product:

- 1 The installation must conform with local codes, or in the absence of local codes, the National Fuel Gas Code, ANSI Z223.1, or the Canadian Installation Code, CAN/CGA -B149.
- 2 For information on gas type see the data plate on the appliance.
- 3 This heater must not be installed where curtains or other combustible materials could come into contact with it. In some cases curtains may need restraining.
- 4 This is a freestanding appliance designed for installation with a vertical flue only.
- 5 If you move, check the gas type in the area where you are moving to. The local gas authority will be able to advise on local regulations.
- 6 This heater discharges a large volume of warm air to provide even heat distribution. If the air in the room contains cooking vapor or cigarette smoke, and the heater is used on a carpet, the surface of the carpet may become discolored. In addition, some nylon carpets contain dyes which may be affected by the warm air flow. Some soft vinyl surfaces are also subject to distortion, or discoloration by warm air. To prevent discoloration of carpets, etc., a mat should be placed in front of the appliance, extending about 30" in front of it.
- 7 This heater may be installed directly onto carpet.
- 8 Read these rules and the instructions carefully. Check all local codes. Failure to follow these could cause a malfunction of the heater resulting in death, serious bodily injury and/or property damage.
- 9 This appliance is only for use with the type of gas indicated on the rating plate. This appliance is not convertible for use with other gases.
- 10 **WARNING:** Any change to this heater or its controls can be dangerous.
- 11 If a gas leak is suspected, turn heater off, turn gas supply valve off at appliance connector valve. Open windows to ventilate area immediately and contact your dealer or gas company.
- 12 **DO NOT PLACE CLOTHING OR FLAMMABLE MATERIALS, GASOLINE AND OTHER FLAMMABLE VAPORS AND LIQUIDS, ON OR NEAR THE HEATER.**
- 13 Do not spray aerosols when the heater is in operation.
- 14 **YOUNG CHILDREN SHOULD BE CAREFULLY SUPERVISED WHEN THEY ARE IN THE SAME ROOM WITH THE HEATER.**

- 15 LPG containers must not be installed indoors.
- 16 Do not use this appliance if any part has been under water. Immediately call a qualified service technician to inspect the room heater and to replace any part of the control system and any gas control which has been under water.
- 17 Adequate clearances for accessibility for purposes of servicing and proper operation should be provided.
- 18 Adequate clearances around air openings into the combustion chamber should be provided.
- 19 Do not install in areas where curtains, drapes, clothing, or other moving flammables are within 15 inches of this unit.

Diagram shows minimum clearances from combustible materials



- 20 Periodic examination of the venting system is required.
- 21 The flow of combustion and ventilation air should not be obstructed.
- 22 A manufactured home (USA only) or mobile home OEM installation must conform with the Manufactured Home Construction and Safety Standard, *Title 24CFR, Part 3280*, or, when such a standard is not applicable, the Standard for Manufactured Home Installations, ANSI/NCSBCS A225.1 or Standard for Gas Equipped Recreational Vehicles and Mobile Housing, CSA Z240.4.
- 23 The appliance and its appliance main gas valve must be disconnected from the gas supply piping system during any pressure testing of that system at test pressures in excess of 1/2 psi (3.5 kPa).

The appliance must be isolated from the gas supply piping system by closing its equipment shutoff valve during any pressure testing of the gas supply piping system at pressures equal to or less than 1/2 psi (3.5 kPa).

- 24 The draft hood on the appliance should be installed in the same atmospheric pressure zone as the combustion air inlet to the appliance and shall be located so that the relief opening is accessible for checking vent operation.
- 25 The appliance, when installed, must be electrically grounded in accordance with local codes or, in the absence of local codes, with the *National Electrical Code, ANSI/NFPA 70*, or the *Canadian Electrical Code, CSA C22.1*
- 26 A gas appliance must not be connected to a chimney flue serving a solid fuel burning appliance.
- 27 Do not restrict the warm air discharge by placing articles in front of heater.
- 28 This appliance must not be used for any purpose other than heating.
- 29 Do not allow anyone to post articles through the louvers.
- 30 Do not allow anyone to sit or lean against the appliance.
- 31 DUE TO HIGH TEMPERATURES, THE APPLIANCE SHOULD BE LOCATED OUT OF TRAFFIC AND AWAY FROM FURNITURE AND DRAPERIES.
- 32 CHILDREN AND ADULTS SHOULD BE ALERTED TO THE HAZARDS OF HIGH SURFACE TEMPERATURES AND SHOULD STAY AWAY TO AVOID BURNS OR CLOTHING IGNITION.
- 33 CLOTHING OR OTHER FLAMMABLE MATERIAL SHOULD NOT BE PLACED ON OR NEAR THE APPLIANCE.
- 34 INSTALLATION AND REPAIR SHOULD BE DONE BY A QUALIFIED SERVICE PERSON. THE APPLIANCE SHOULD BE INSPECTED BEFORE USE AND

AT LEAST ANNUALLY BY A PROFESSIONAL SERVICE PERSON. MORE FREQUENT CLEANING MAY BE REQUIRED DUE TO EXCESSIVE LINT FROM CARPETING BEDDING MATERIAL, ET CETERA. IT IS IMPERATIVE THAT CONTROL COMPARTMENTS, BURNERS AND CIRCULATING AIR PASSAGEWAYS OF THE APPLIANCE ARE KEPT CLEAN.

- 35 The glass window shall be replaced as one piece as supplied by the manufacturer. See glass and log installation on page 12.
- 36 Do not substitute glass, glowing embers or logs. Use only glass, glowing embers and logs supplied by manufacturer.

- 37 Caution: Do not operate unit with broken glass.
- 38 WARNING: DO NOT OPERATE APPLIANCE WITH THE FRONT REMOVED, CRACKED OR BROKEN. REPLACEMENT OF THE GLASS SHOULD BE DONE BY A LICENSED OR QUALIFIED SERVICE PERSON.
- 39 WARNING: ELECTRICAL grounding instructions. This appliance is equipped with a three prong (grounding) plug for your protection against shock hazard and should be plugged directly into a properly grounded three-prong receptacle. Do not cut or remove the grounding prong from this plug.

TECHNICAL SPECIFICATIONS

Gas Input Rate:		Natural Gas Btu/hr	Propane Btu/hr
	Pilot:	200	200
	Low:	13,000	11,000
	High:	34,000	31,000
Minimum permissible gas supply pressure for purpose of input adjustment		WC	WC
	Min:	7"	10"
	Max:	10.5"	13"
Gas Connection:	3/8" NPT female		
Flue Termination:	An approved 4" vent cap must be fitted to all installations		
Fan:	90 Watt 2 speed tangential		
Combustion System:	Multi port burner		
Logs:	Ceramic		
Ignition System:	Continuous spark electronic ignition		
Operation:	Push button to light pilot and main burners		
Safety Devices:	Flame failure thermocouple Over heat Bi-metal strip Fan delay Bi-metal strip		
Combustion Method:	Naturally aspirated burner		
Flue Type:	Approved 4" B vent system		
Heat transfer:	Direct radiation and forced convection		
Installation Type:	Free standing		
Flue Requirement:	Manufacturers minimum, 10 ft vertical. <i>Local codes may have a greater requirement and must be followed.</i>		

FOR YOUR SAFETY READ BEFORE OPERATING

WARNING: If you do not follow these instructions exactly, a fire or explosion may result causing property damage, personal injury or loss of life.

A This appliance is equipped with an ignition device which automatically ignites the pilot. Do not try to light the pilot by hand

B. BEFORE OPERATING smell all around the appliance area for gas. Be sure to smell next to the floor because some gas is heavier than air and will settle on the floor.

WHAT TO DO IF YOU SMELL GAS

- Do not try to light any appliance
- Do not touch any electrical switch
- Do not use any phone in your building
- Immediately call your gas supplier from

a neighbor's phone. Follow the gas suppliers instructions.

- If you cannot reach your gas supplier call the fire dept.







C. Use only your hand to push the gas control buttons. Never use tools. If the buttons will not activate by hand, don't try and repair it, call a qualified service technician. Force or attempted repair may result in a fire or an explosion.

D. Do not use this appliance if any part has been under water. Immediately call a qualified service technician to inspect the appliance and to replace any part of the control system and any gas control which has been under water.

OPERATING INSTRUCTIONS

STOP Read the safety information above.

- **To turn the unit on** (*refer diagram below*)

SETTING	BUTTONS	FAN	BURNER PATTERN
1. Pilot		Off/On	
2. Low		Low/Off	
3. High		High (Auto)	

Do not attempt to light the pilot by hand.

Wait for five minutes to clear out any gas. Then smell for gas, including near the floor. If you smell gas, STOP! Follow "B" in the safety information. If you don't smell gas, go to the next step.

Press the first control button firmly. This operates the built in safety device and starts the electronic spark.

Visually check the pilot has lit and continue to hold the button for up to 15 seconds.

If the pilot does not remain alight, push the button again and release it. This will return it to the off position. Wait 30 seconds and repeat the ignition procedure.

- **To turn on the heat**

Press the center button, this will ignite the front burner, then press the remaining button to ignite the main burner.

- **To decrease the heat**

Release the last two control buttons in the reverse order.

- **To turn the unit off**

Release all three buttons to the off position.

TO TURN OFF GAS TO APPLIANCE

Place the gas control in the off position (all buttons up / out) and turn off the power at the switch.

Disconnect the electric plug. This will prevent accidental ignition if the gas control valve is operated.

OPERATION

For your convenience the controls on your new Flame Fire are situated under the cover on the top right-hand side of the fire. All necessary adjustments to the operation of your fire can be made with these controls.

• **TO TURN ON THE PILOT**

Press the front control button firmly. This operates the built-in safety device and starts the electronic spark. The pilot burner will ignite. Check that the burner has lit and continue to hold the button down for up to 15 seconds. The spark will continue while the button is held down.

If the burner does not remain alight, push the button again and release it. This will return it to the "OFF" position. Wait 30 seconds, then repeat the ignition procedure. (The ignition button must be in the "OFF" position before attempting re-ignition) If, for any reason, the fire goes out during operation wait a minimum of 3 minutes before attempting to relight.

• **TO TURN ON THE HEAT**

Press the control buttons in order from front to rear, this will ignite additional burners as shown in the diagram. There is no need to hold the buttons for 15 seconds when increasing the heat.

• **TO DECREASE THE HEAT**

This is simply done by releasing the control buttons in order from rear to front.

• **TO TURN THE UNIT OFF**

Press and release the buttons in order from rear to front until all 3 buttons are in the

"OFF" (UP) position. The fan will continue to operate until the unit cools down.

Make sure all burners are extinguished.

• **FAN OPERATION**

On the LOW fire settings, the fan can be operated on the LOW speed or OFF.

On the HIGH fire setting the fan runs automatically on HIGH speed.

• **NOTE:** When the fire is turned on, there will be a delay in the operation of the fan. This ensures that a cold draft does not occur while the fire is warming up.

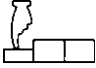

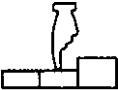

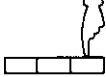

When the fire is turned off, the fan will continue to run until the fire has cooled down.

• **POWER FAILURE**

Your unit can be used on the low setting during a power failure. However, if switched off, it cannot be relit unless power is available. The appliance is protected by an overheat switch, and may cut out if used on the HIGH setting.

• **TO TURN OFF GAS TO APPLIANCE**

Turn off the appliance by operating the on/off button and turn off the power at the wall switch. Disconnect the electric plug. This will isolate the supply and prevent the solenoid valve from opening.

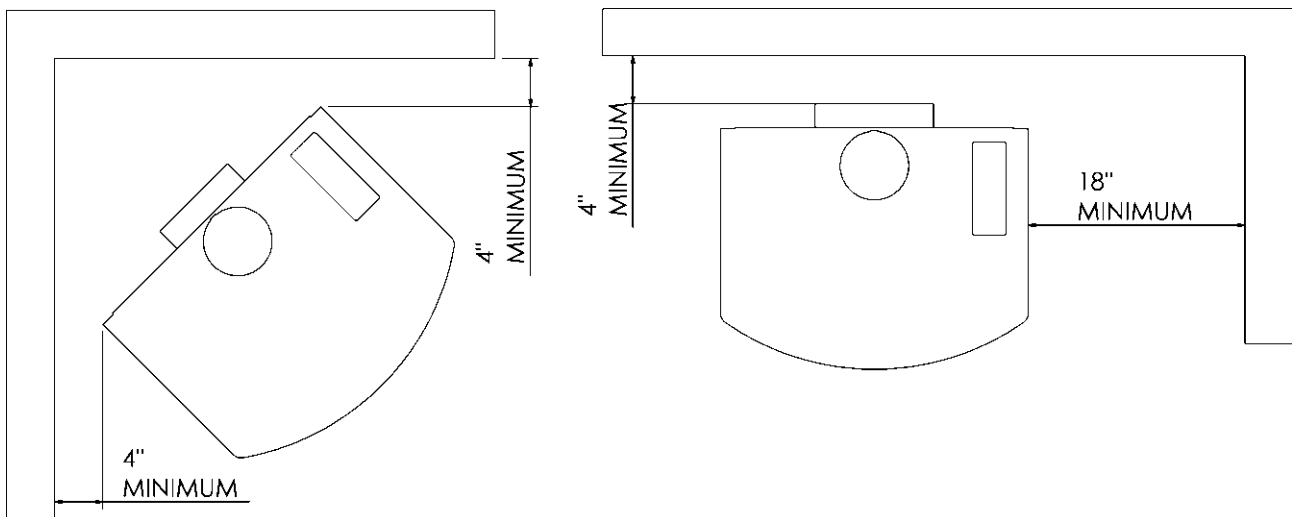
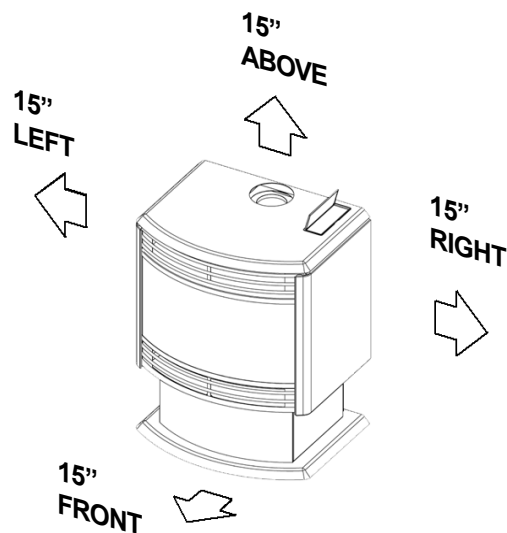
SETTING	BUTTONS	FAN	BURNER PATTERN
1. Pilot		Off/On	
2. Low		Low/Off	
3. High		High (Auto)	

LOCATION

When positioning the heater, the main points governing the location are:

1. Flue connection and proper venting
2. Warm air distribution.
3. Adequate air supply.
4. The heater must not be installed where curtains or other combustible materials could come into contact with it. In some cases, curtains may need restraining.
5. The heater is not designed to be built into bookcases or shelves or any combustible opening.
6. Check that room ventilation complies with local regulations.
7. Installation location shall provide adequate combustion and ventilation air.
8. A gas appliance must not be connected to a chimney flue serving a separate solid-fuel burning appliance.

See below for minimum clearances required.



VENTING

Use only an approved B Vent system

- Position the heater.
- Suspend a plumbline from the ceiling to the centre of the flue socket.
- Mark the centre of the flue in the ceiling.
- Make a small hole in the ceiling and double check that the flue system will be at least 1" clear of combustible materials.
- Cut the hole for the flue.
- Fit the ceiling plate, flue and decorative cover.

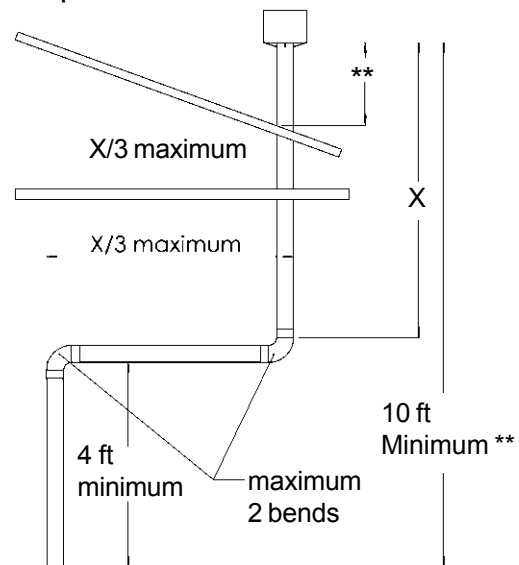
The decorative cover must be able to slide up to give access to the flue collar. The inner flue must be supported independently of the heater but allowing sufficient movement to allow connections to and disconnections from the flue collar.

It is recommended that the flue be installed vertically only. If installation prevents this then there must be at least 4 feet of vertical flue before any bends. The flue must not fall below

horizontal at any stage. There must not be more than 2 bends in any system. Any horizontal section of flue must be less than 1/3 the length of vertical flue which follows it.

See below diagram

An approved B vent system must be attached by mechanical means to the flue spigot and sealed using an approved high temperature sealant.



** Refer to local codes for other minimum requirements.

GAS CONNECTION

• RUN GAS SUPPLY

For pipe sizing, refer to your local gas installation codes.

• PURGE SUPPLY OF AIR AND DEBRIS

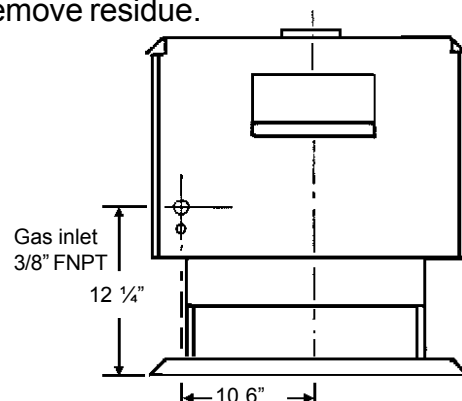
All foreign materials such as filings must be purged from the gas supply, as they may cause the gas valve to malfunction.

A means to measure the gas pressure immediately upstream of the supply connection to the appliance shall be provided by the installer.

Connect and tighten union.

On completion of work, check for gas leaks.

Use a soapy solution on all gas connections. Leaks will be visible when the soapy solution forms bubbles. When finished wipe soapy solution with rag to remove residue.



LOG INSTALLATION

The logset is packed inside the unit and the packaging must be removed prior to installing the logset in its correct position.

- Open both side panels.
- Remove fasteners on both sides of the top glass retainer.
- Lift retainer away from unit.
- Loosen screws on bottom glass retainer.
- Carefully lift glass out of bottom channel.
- Carefully remove log packaging.

The logset has two holes underneath for location onto the pins inside the unit.

Place the logset into the unit ensuring that the locating pins enter the two locating holes on the bottom face of the logset.

Gently place loose ember bed material in front of the front log only. Do not pour as dust particles from the plastic bag may block the burner ports.

Level it with a pencil or screwdriver and remove excess material. Note: The ember bed material must be placed after the logs are fitted. If the logs are to be removed for any reason, the ember bed material must be removed first and replaced after the logs are refitted. Any material that prevents the logs sitting flat on the burner top can upset the burning pattern and performance of the heater.

- Replace glass and top glass retainer, tighten bottom glass retainer screws.

Note: Fit glass so that the joint in the glass seal is at the bottom.

- Take care not to damage seals.
- Reinstall side panels.



WARNING: Failure to position the parts in accordance with these diagrams or failure to use only parts specifically approved with this appliance may result in property damage or personal injury.

Note: When first lighting the heater, the logs need to be burnt in, which may take approximately 2 hours. The flame color may change after the initial burning in period.

TESTING AND COMMISSIONING

• TESTING PROCEDURE

Turn gas supply on and plug the unit into the power supply. (Caution 115V)

• TO CHECK BURNER PRESSURE

- Refer to Rating Plate.
- Remove test point plug and attach manometer to test point.

The test point is on the front injector block.

- Light heater, turn to High heat setting and check pressure.
- If adjustments are necessary, the regulator is situated on the front of the gas control.
- After checking pressure, turn the unit off, remove manometer and replace test point plug.
- Turn the heater on and off a few times to check ignition.
- When you are satisfied that the heater is working correctly, reassemble panels.
- All burner aeration is factory preset and cannot be adjusted.
- If you are unable to get the unit to operate correctly, refer to Troubleshooting on Page 16, before contacting your local service contact as listed on Page 3.
- It may take approximately 2 hours for the logs to achieve their full flame pattern and glow.
- **During the initial burning in period, some smoke and smell may be experienced. The heater should be run on the high position in a well ventilated room until these dissipate.**

It is the responsibility of the installer to check that under normal operating conditions of the appliance, all flue gases are exhausted to the outside atmosphere and that there is no spillage of combustion gases into the room.

COMMISSIONING

• INSTALLATION AND COMMISSIONING CHECKLIST

Complete the installation checklist and the installer details on page 23 and make sure that this instruction book is left with the customer.

• INSTRUCT CUSTOMER ON USE OF UNIT

Explain to customer about use and care of unit. Make sure the customer understands the instructions.

• EXPLAIN

Ignition, Adjusting heat level, Fan Switch, Turning "OFF".

NOTE:

THE MANUFACTURE RESERVES THE RIGHT TO CHANGE OR MODIFY SPECIFICATIONS WITHOUT NOTICE

MAINTENANCE INSTRUCTIONS

IMPORTANT MAINTENANCE INSTRUCTIONS

- **ANNUAL INSPECTION**

The unit should be inspected at least once a year by a qualified service technician including inspection of the flue system.

The appliance area must be kept clear and free from combustible materials, gasoline and other flammable vapors and liquids.

- **CLEANING INSTRUCTIONS.**

Before cleaning, make sure the electrical power and gas are turned off and that the unit has cooled down.

WARNING: Do not clean the glass or unit when hot.

Do not remove any internal wiring covers.

Do not use abrasive cleaners.

Do not use solvent based cleaners.

- **OUTER CASE**

The outer case of the fire place should be cleaned with a soft, damp cloth.

Do not use aerosol polishes to clean the casing while the fire is in operation.

Do not damage or distort any part of the heater.

Do not use wet cloth or spray cleaners on burners.

- **VENT MAINTENANCE**

The flue should be inspected annually for blockages and signs of damage.

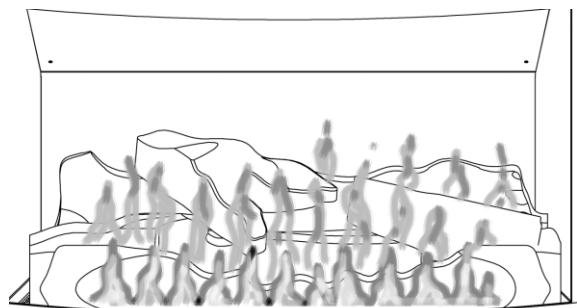
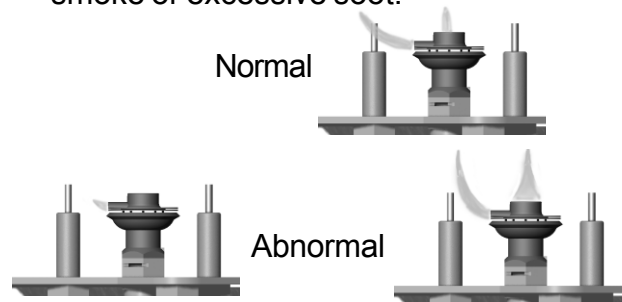
- **VISUAL INSPECTION OF FLAME**

Check that the pilot and burner flames are operating normally.

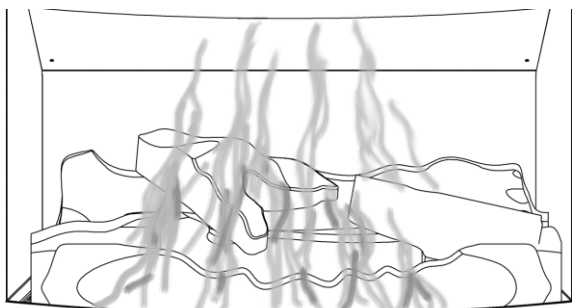
If the flames appear either very short or very long and streaky or are producing smoke or soot deposits then there may be a problem with the heater or the gas supply.

A heater should not be used if you suspect there may be a problem, and a service agent must be called to investigate the cause of the problem.

The main burners are designed to produce some yellow flame but should not produce smoke or excessive soot.



Normal



Abnormal

NOTE: The flames may take up to 15 minutes to settle from ignition when heater is cold.

- **ELECTRIC MOTOR MAINTENANCE**

Motors are permanently lubricated and need no lubrication.

Keep fan and motor free of dust and dirt, clean annually.

The heater should be serviced annually only by an authorised person.

• **GLASS REPLACEMENT AND CLEANING.** (May be performed by the owner)

It is best to handle the glass with clean gloves to avoid smearing the glass with finger prints which might show after replacement.

Refer diagram opposite

Loosen the side panel retaining screws.(1)
Access can now be obtained to the two top glass retaining screws.(2)

Gently lift the retaining trim away from the glass.(3)

Carefully lift the glass out of the bottom retaining channel, taking care not to damage the fiber seal on the perimeter of the glass.(4)

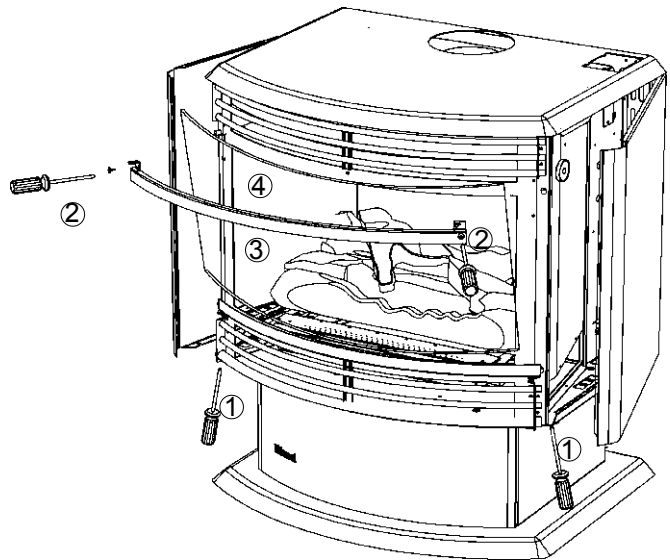
The glass may be cleaned with a damp sponge and soapy water. If the seal is damaged it should be replaced. Remove any soot deposit from the log set with a soft brush and a vacuum cleaner. Soot deposit may indicate that the flue is not drawing properly. Check the flue for correct operation.

It is best to handle the glass with clean gloves to avoid smearing the glass with finger prints which might show after replacement.

NOTE: When replacing the glass make sure that the joint of the fiber seal is at the bottom of the glass.

• **BURNERS**

Due to the design of the burners in this heater, they do not require cleaning by the owner. The burners should be cleaned once a year by a qualified service agent.



• **FAN REMOVAL** (Only to be carried out by qualified service technician)

Refer diagram below

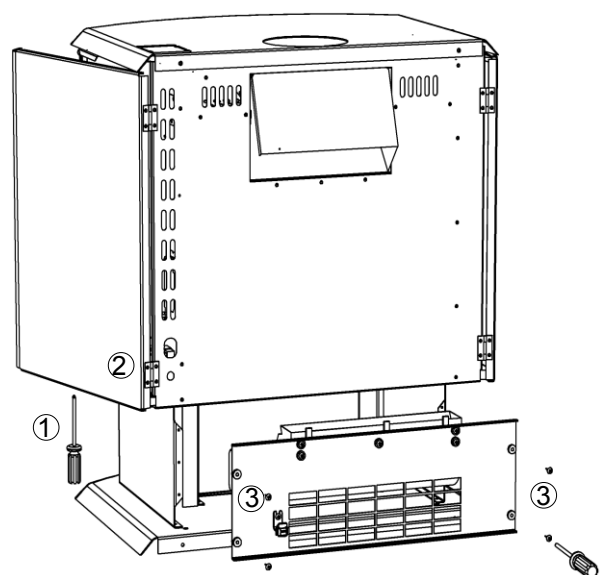
NOTE: The fan has a permanently lubricated bearing. DO NOT OIL.

Open the right-hand panel of the heater (1) and undo the cable connection between the fan assembly and wiring loom.(2)

On the back of the heater loosen the 4 Phillips screws holding the fan bracket.(3)

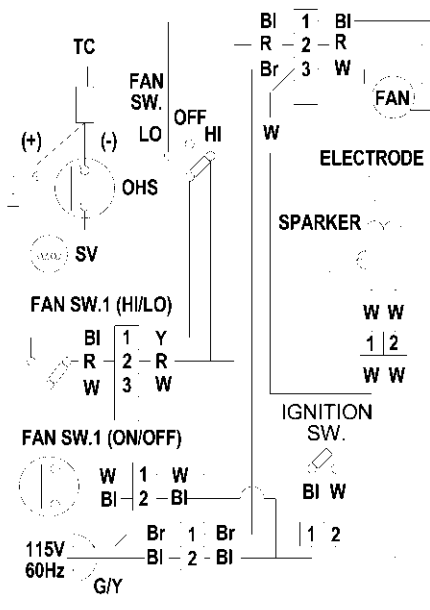
The fan, complete with the fan support bracket, can now be removed for cleaning and replaced as is necessary.

Reassemble in reverse order.

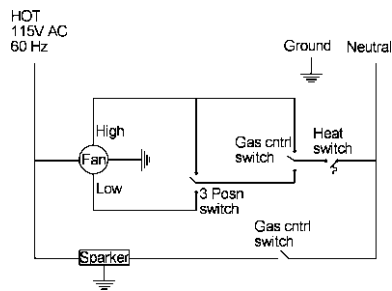


WIRING DIAGRAMS

Wiring Diagram



Wiring Diagram Ladder



Caution: Label all wires prior to disconnection when servicing controls. Wiring errors can cause improper and dangerous operation.

Verify proper operation after servicing.

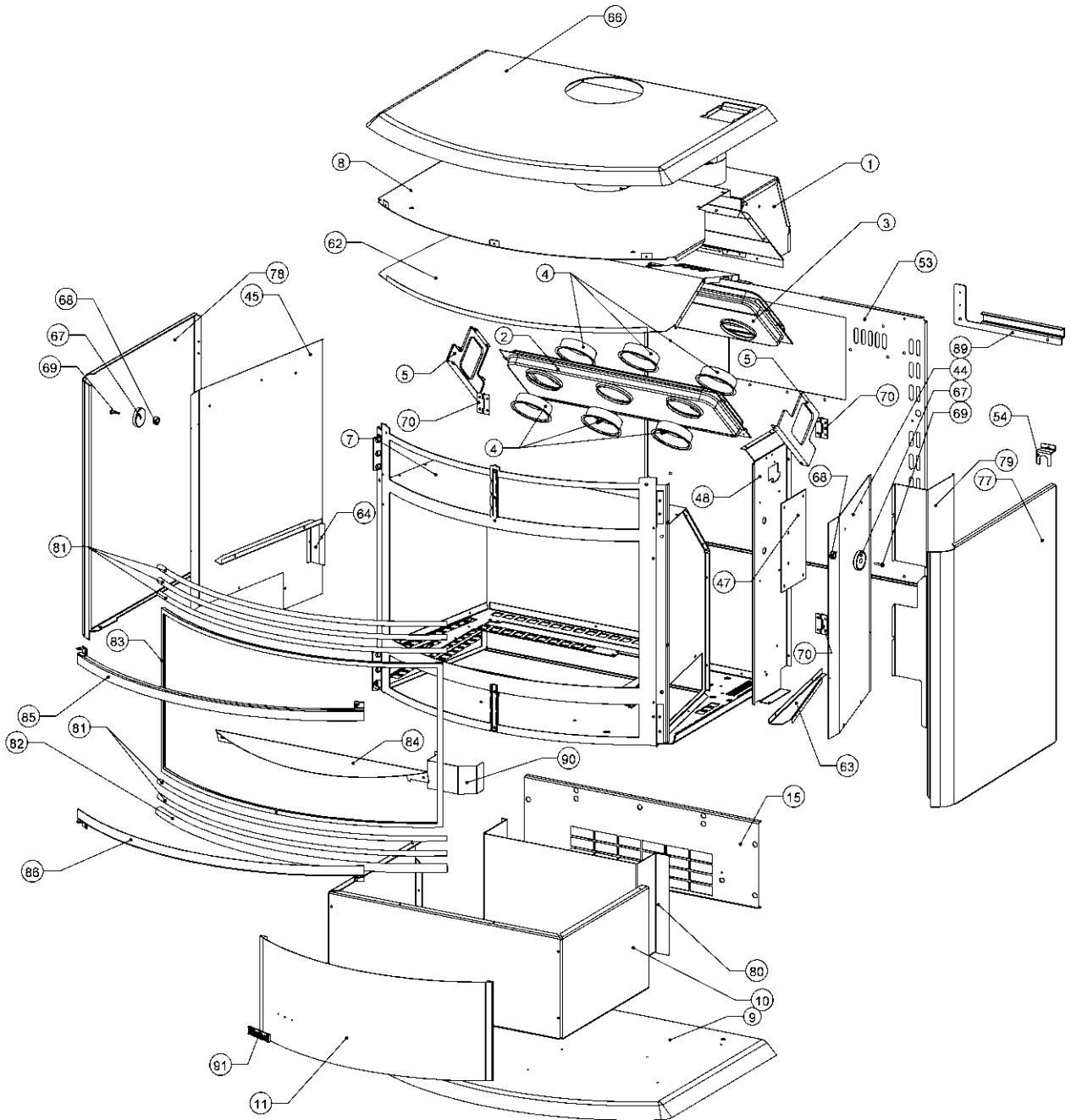
TROUBLE SHOOTING

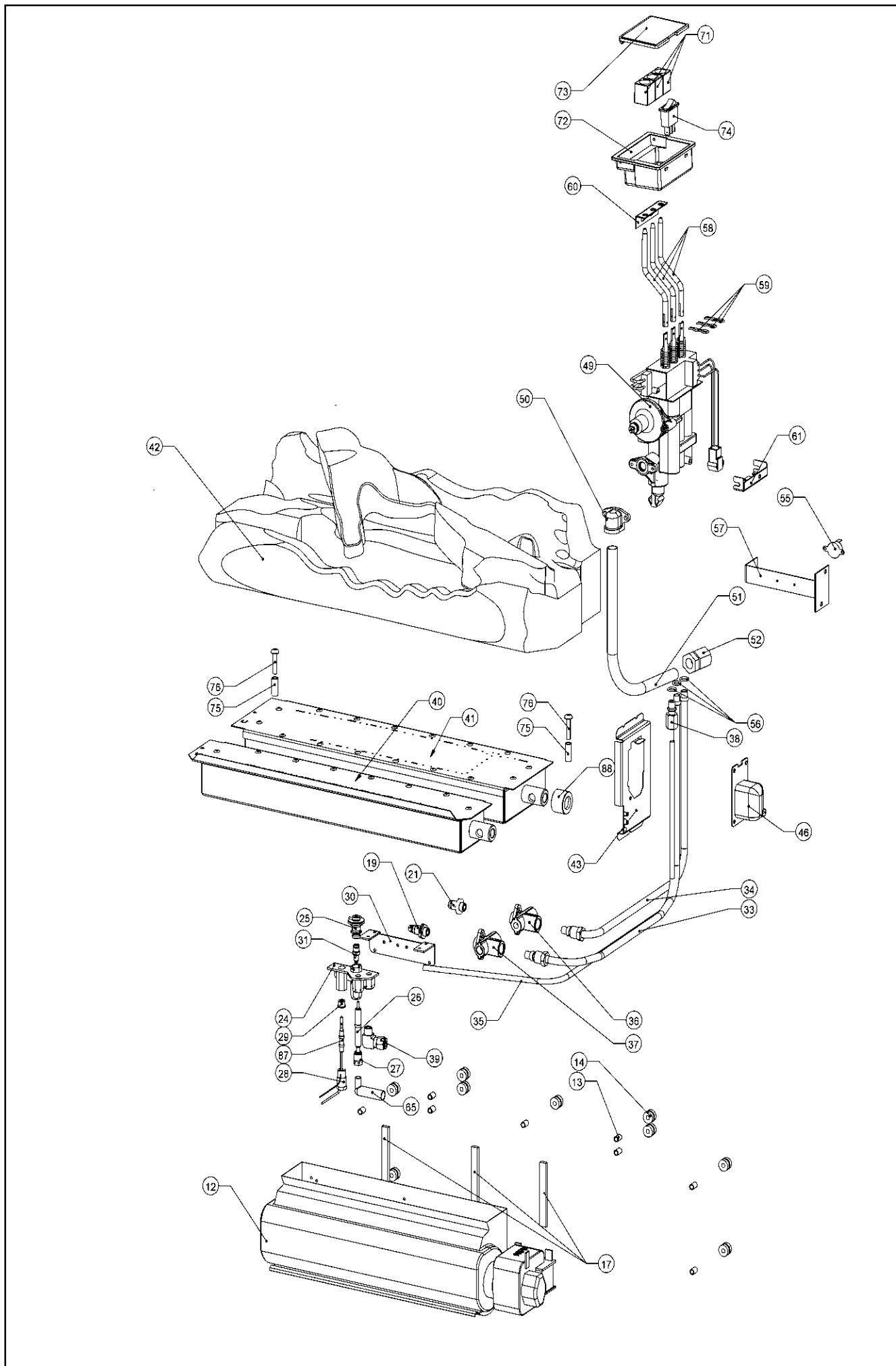
SYMPTOM	CAUSE	SOLUTION
Burner will not light	No power present No gas present power cut Air in gas pipe Ignition failure	Ensure power cord is plugged in and turned on Ensure gas supply is turned on Re-ignite after power is restored Purge air (installer) Repeat lighting procedure
Smell of gas	Leaking gas	Turn gas off at meter and call installer
Fan not working	Heat switch not activated Fan not turned on	Allow fire to run on HIGH for 15 minutes minimum Ensure appliance fan switch is in ON position
Small soot deposit	Normal operation	No action required
Soot deposit forming on glass or logs	Inadequate flue system Log misalignment Incorrect gas pressure	Call service department/agent
Condensation on glass	Normal operation	Allow fire to warm up
Streaky lines on glass	Normal operation	Remove and clean glass

NOTE:

If you have any other faults or problems, please refer to your **Installer** or local qualified service agency

EXPLODED DIAGRAMS





PARTS LIST

ITEM NO.	QTY.	PART NO.	DESCRIPTION	
1	1	7992-1	FLUE SPIGOT ASSY FS NAT USA	
2	1	7074	HEAT EXCHANGER FRONT ASSY 3+3H	
3	1	7075	HEAT EXCHANGER REAR ASSY 3H	
4	6	6624	BURNER EXCHANGER TRANSFER TUBE	
5	2	6625	BURNER HEAT EXCHANGER BRACKET	
6	1	7028-5	FLUE SPIGOT DRAUGHT DIVERTER	
7	1	7996	COMB CHAMB ASSY FS 3H US PAINT	
8	1	7066	AIR GUIDE UPPER FS MANUAL	
9	1	7022V	BASE PANEL FS VIPER	
10	1	7020V	PILLAR FS VIPER	
11	1	7021V	PILLAR FRONT FS VIPER	
12	1	7141	FAN QLN65/0030-3038LH MVL 110V	
13	9	7130	FAN MTG SLEEVE	
14	9	7129	FAN MTG GROMMET	
15	1	7069V	FAN MT BRKT FS MVL VIPER	
16	9	9028	SCREW 8X5/8 MUSH HEAD 33611923	
17	3	6651	CUSHION RUBBER REH210	
18	1	7950	INJECTOR BLOCK BRKT FRONT MKII	
19	1	7182	INJECTOR BRAY 420 CAT33 MULTI	NG
	1	7175	INJECTOR BRAY 120 CAT23 SINGLE	LP
21	1	7341	INJECTOR BRAY 600 CAT33 MULTI	NG
	1	7183	INJECTOR BRAY 200 CAT33 MULTI	LP
23	4	9064	SCREW M4 X 8 PHPMZ SPRINGWASH	
24	1	7870	PILOT BODY TOP CONVERTIBLE	
25	1	7871	PILOT CONVERTIBLE HOOD 2 FLAME	
26	1	7875	ELECTRODE	
27	1	7876	ELECTRODE NUT (S.I.T)	
28	1	7901	THERMOCOUPLE NUT	
29	1	7903	SPACER THERMOCOUPLE PILOT	
30	1	7904	PILOT BRACKET FRONT USA	
31	1	7872	INJECTOR NG 51	NG
	1	7873	INJECTOR LPG 31	LP
33	1	7934	GAS SUPPLY TUBE A FSMAN	
34	1	7935	GAS SUPPLY TUBE B FSMAN	
35	1	7947	PILOT TUBE FSMAN US	
36	1	7953	INJECTOR BLOCK A+C	
37	1	7954	INJECTOR BLOCK A+C+D	
38	1	7984	PILOT ADAPTOR MAN USA	
39	1	7986	ELBOW 6mmx1/8"BSPT BFM690602	
40	1	7924	FRONT BURNER US ASSY PAINTED	
41	1	4990	MAIN BURNER NG/LPG USA FLAME	
42	1	7044	CERAMIC LOG SET c/w GRANULES	
43	1	6660-5	SPARKER MTG PANEL REH240EC	
44	1	7061	HEATSHIELD RH FS MANUAL	
45	1	7509	HEATSHIELD LH FS35	
46	1	6917	SPARKER UCH/EC	
47	1	7023	CONTROL BRKT	
48	1	7172	CONTROL BRACKET ASSY FS	
49	1	4995	GAS CONTROL ASSY FLAMEFIRES	
50	1	7203	INLET ELBOW	
51	1	7259	INLET TUBE FS	
52	1	6329	INLET NUT	
53	1	7987V	REAR PANEL FS35 USA VIPER	
54	1	7982	FORK BRACKET USA	

55	1	6635	FAN SWITCH R210	
56	3	6642	O RING REH210	
57	1	7280	SWITCH MTG BRACKET FS	
58	3	7046	CONTROL ROD BENT	
59	3	5476	SNAP PIN R22SL/FL FIRES 57AG3	
60	1	7045	CONTROL ROD BRKT	
61	1	6643	MAIN GAS TUBE RETAINER (3)	
62	1	7065	AIRGUIDE LOWER FS MANUAL PAINT	
63	1	7071	HEATSHIELD LOWER RH FS MAN	
64	1	7060	HEATSHIELD LOWER LH FS	
65	1	7564	ELECTRODE SLEEVE	
66	1	7300V	TOP PANEL FS35 VIPER	
67	2	7136	MAGNET FS	
68	2	9200	NUT M8 HEX MACH MS ZINC PLATE	
69	2	9025	SCREW 8 X 5/8 S/TAP PANHEAD ZP	
70	4	7050	HINGE BKL	
71	3	7204	CONTROL BUTTON BKL FLAME FIRE	
72	1	7125	CONTROL BOX FF BKL	
73	1	7124	CONTROL LID FF BKL	
74	1	7089	FAN SWITCH FLAME 3 POSITION	
75	2	7240	LOG LOCATING SLEEVE	
76	2	9115	SCREW M5 X 25 PHSMZ PHIL	
77	1	7019	SIDE PANEL RH PAINTED FS35	
78	1	7018	SIDE PANEL LH PAINTED	
79	1	7026	WIRING COVER PANEL FS35	
80	1	7063	FAN INLET GUIDE FS	
81	5	7029	LOUVRE TUBE FS 9.5 GOLD	
82	1	7099	LOUVRE TUBE RD 15.8 GOLD	
83	1	4996	GLASS PANEL ASSY IB/FS35	
84	1	7004	BURNER DIVERT PANEL PTD ETR	
85	1	7033	GLASS RET TOP ASSY PAINTED	
86	1	7037	GLASS RET BOTTOM ASSY PAINTED	
87	1	7118	THERMOCOUPLE ASSY FLAMEFIRES	
88	1	7258	AERATION SLEEVE SHORT	
89	1	7995	O.H SWITCH WIRE COVER FS USA	
90	1	7920	FRONT PILOT SHIELD USA PAINTED	
91	1	5327G	BRAND BADGE GOLD	

INSTALLATION NOTES

INSTALLATION NOTES

INSTALLATION / COMMISSIONING CHECKLIST

- | | NO | YES |
|---|--------------------------|--------------------------|
| 1. Was a fireplace inspection carried out?
(i.e. clearances, combustibles etc.) | <input type="checkbox"/> | <input type="checkbox"/> |
| 2. Was a manufactured flue system installed? | <input type="checkbox"/> | <input type="checkbox"/> |
| 3. Has specified gas pressure been set? | <input type="checkbox"/> | <input type="checkbox"/> |
| 4. Are decorative logs located correctly on pins? | <input type="checkbox"/> | <input type="checkbox"/> |
| 5. Have ember granules been placed and free of dust and powder? | <input type="checkbox"/> | <input type="checkbox"/> |
| 6. Has the appliance been test fired for correct operation
(All burners light without delay) | <input type="checkbox"/> | <input type="checkbox"/> |
| 7. Is the end-user fully aware of operating procedure? | <input type="checkbox"/> | <input type="checkbox"/> |

INSTALLER DETAILS

Company name: _____

Installers name: _____

Address: _____

Phone: _____ Mobile: _____

Permit number for installation: _____

Signed: _____ Date: _____

Rinnai

Part Number 7916