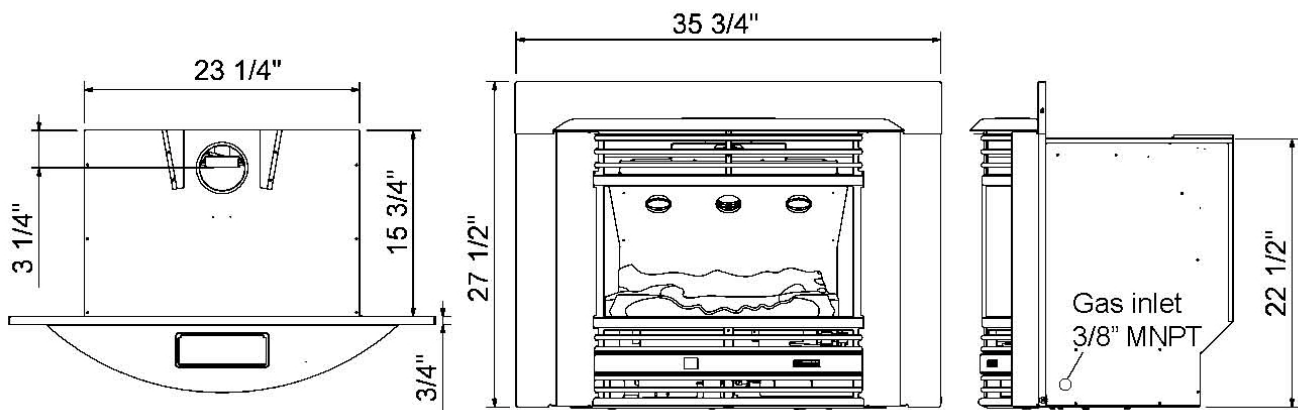


Fireplace Heater Insert Model Manual Operation

Rinnai model number:	Natural Gas RFBV-IB35M-BN (Black)	Propane RFBV-IB35M-BP (Black)
Description:	Insert radiant/convector, glass-fronted, ceramic log space heater with forced convection and natural draft flue system.	
Gas Rate (Input):	Natural Gas Btu/hr	Propane Btu/hr
	Low: 13,000	11,000
	High: 34,000	31,000
Gas Rate (Output):	26,000	23,000
Efficiency Rating:	76%	74%
Gas Supply Pressure:	WC	WC
	Min: 7"	10"
	Max: 10.5"	13"
Gas Connection:	3/8" MNPT	
Gas Control:	Push button combination control valve	
Heat transfer:	Direct radiation and forced convection	
Installation Type:	Insert	
Weight:	119lb	
Flue Type:	Approved 4" B vent system	
Flue Termination:	An approved 4" vent cap must be fitted to all installations.	
Glass Viewing Area:	11-1/2"H x 23-1/2"W	
Dimensions:		



Fan:	90 Watt 2 speed tangential
Logs:	Realistic 5 piece ceramic log set
Combustion System:	Multi port burner and ceramic logs
Burner:	Ember bed flame and heat burner
Warm Air Discharge:	Top front louvers
Ignition System:	Continuous spark electronic ignition
Power Supply:	115Volts 60Hz AC
Safety Devices:	Flame failure thermocouple Over heat Bi-metal strip 266°F Fan delay Bi-metal strip
Combustion Method:	Naturally aspirated burner
Flue Requirement:	Manufacturers minimum, 10 ft. vertical (Local coded may require a greater length and must be followed.)
Operation:	Push button to light pilot and main burner
Control panel:	

